

Please read these instructions  
carefully before assembling.

INSTRUCTION MANUAL

# Bali Oval Dining Table

**BALI-240-ODT | K/D Bali Oval Dining Table**

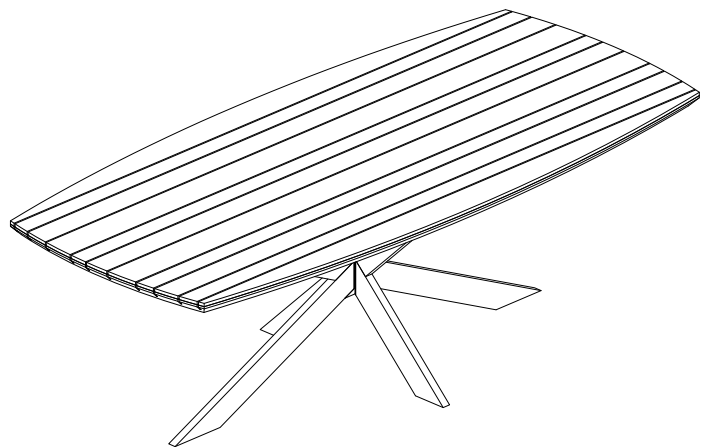
**Assembly Requirements:**

*Number of people required to assemble - 2*

*Approximate assembly time - 10 minutes*

**Dimensions:**

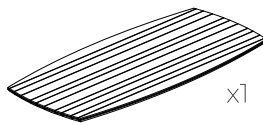
*240\*110\*77cm*



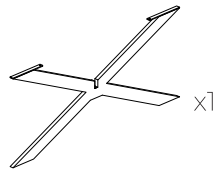
# COMPONENT PARTS

Please check if you have all the parts as listed below. Note: The quantities below are the correct amount to complete the assembly. In some cases more fittings may be supplied than are required.

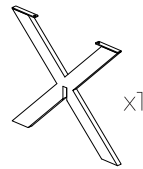
1 TOPTABLE



2 LEG1



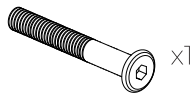
3 LEG2



4 CONNECTOR



A BOLTS M8X100



B BOLTS M8X20



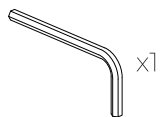
C BOLTS M6X15



D WASHERS M8



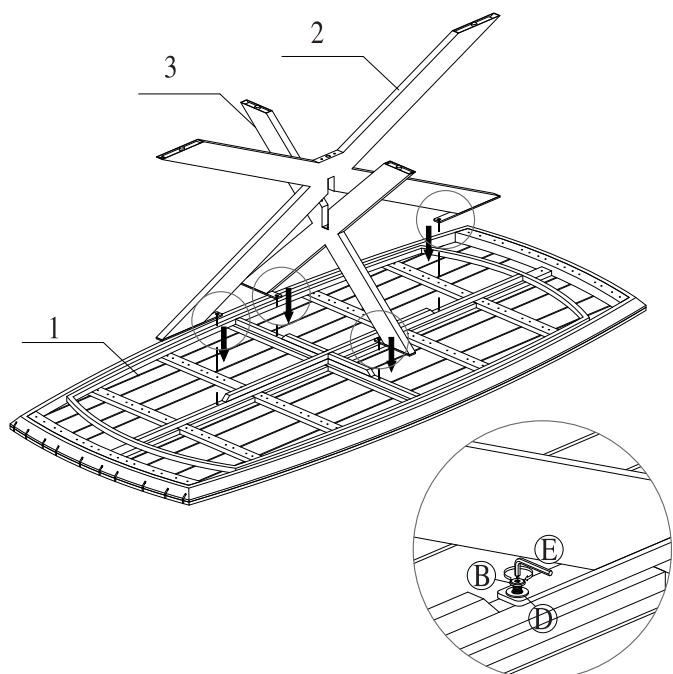
E ALLEN KEY



## ASSEMBLY INSTRUCTIONS

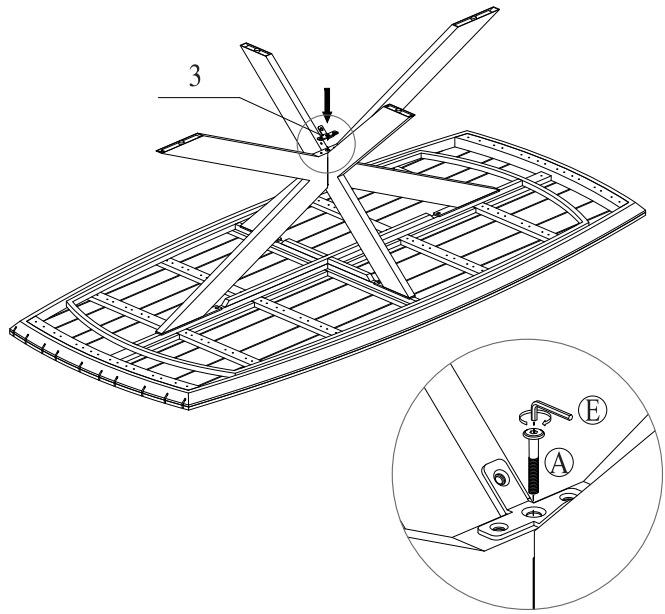
### STEP 1

Ensure all the parts are at the correct positions, using the allen key (Part E) to tighten up all the bolts.



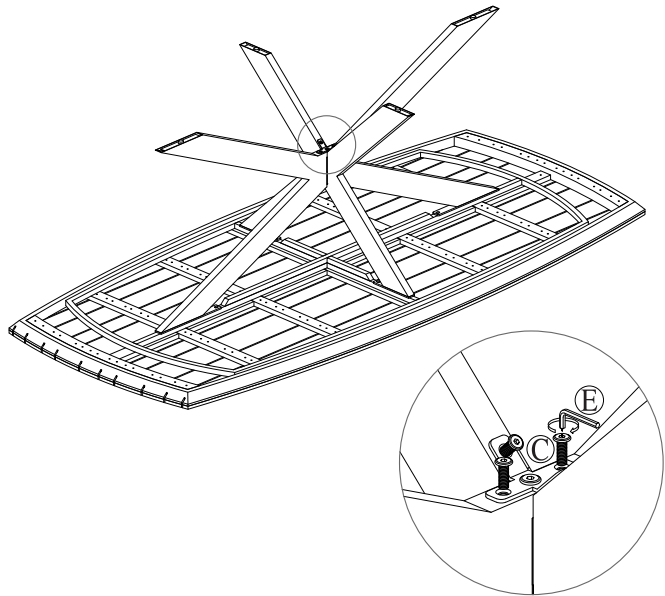
## STEP 2

Ensure all the parts are at the correct positions, using the allen key (Part E) to tighten up all the bolts.



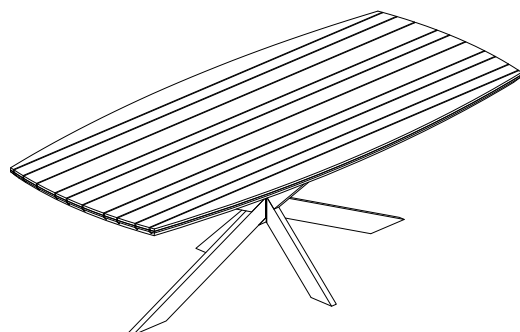
## STEP 3

Ensure all the parts are at the correct positions, using the allen key (Part E) to tighten up all the bolts.



## STEP 4

Carefully turn the assembled Table, and double check all the bolts are fully tightened.



## Safety and Care Advice

### KEEPING OUTDOOR GARDEN FURNITURE LOOKING ITS BEST IS SIMPLE AND EASY.

- *Use soap and warm water.*
- *Apply directly to the stain.*
- *Use a sponge or soft brush to clean.*
- *Rinse thoroughly.*
- *Air dry.*
- *If necessary, repeat the processes*

*Crafted from premium acacia hardwood, your furniture set boasts exceptional quality. Over time, the untreated wood will gracefully transition to a silver/grey hue, showcasing its natural beauty. As a product of nature, it may undergo slight expansion and contraction with changing seasons, influenced by moisture levels. The occurrence of small cracks is both normal and anticipated.*

*To enhance the longevity of your wooden furniture in outdoor settings, we advise an annual treatment with a high-quality outdoor furniture oil. This simple maintenance routine will not only preserve its aesthetic appeal but also contribute to its durability when exposed to the elements of the great outdoors.*