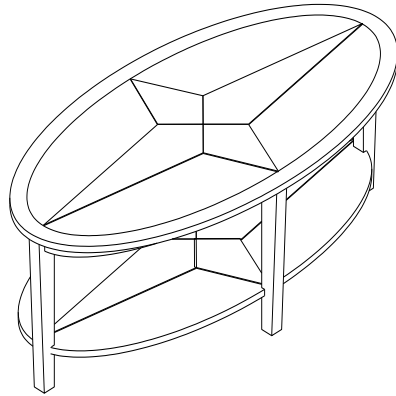


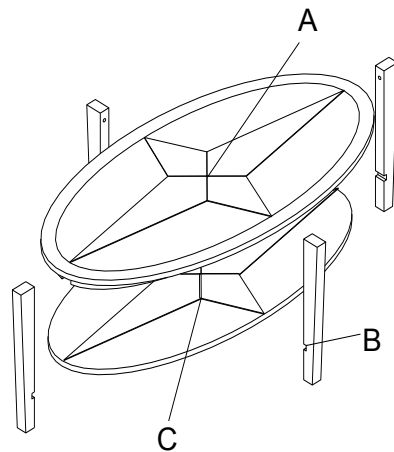
Oval Coffee Table



Thank you for purchasing our Oval Coffee Table. **We have found it helpful to have a second person present in at least one step of the assembly.**

Oval Coffee Table Assembly Instructions

Lay out all parts on a "non-abrasive" surface to avoid scratching furniture.



NO.	DRAWING	DESCRIPTION	QTY.	NO.	DRAWING	DESCRIPTION	QTY.
A		TOP	1	D		M6*35mm BOLT	4
B		POST	4	E		M6*20mm BOLT	4
C		SHELF	1	F		HEX WRENCH	1

PARTS

Step 1

Read through these instructions thoroughly before beginning assembly. We have found this to be of great value when first assembling this product.

Step 2

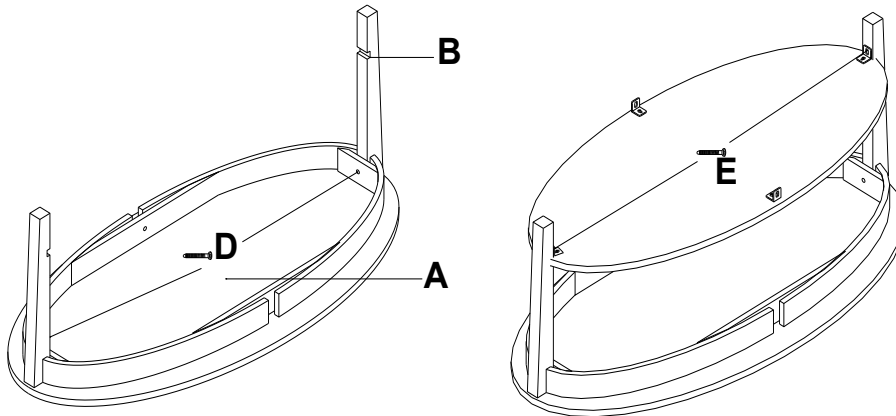
Remove all parts and hardware from packing material. Wooden pieces should be placed on a non abrasive surface (like the carton or carpet) to prevent damage to the finish.

Step 3 and 4

Lay Top (A) upside down and attach 2 Posts (B) by using 2 M6 x 35 Hex Bolts (D).

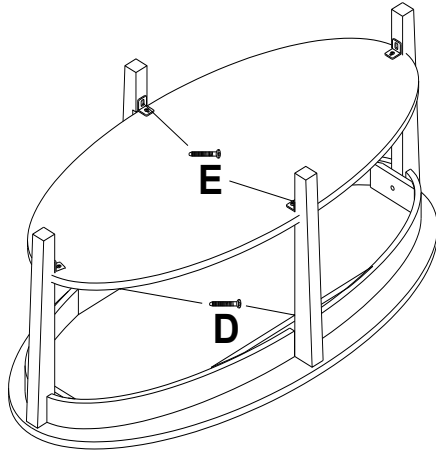
Note: It will help to have a second person at this time to assist in assembly.

Put shelf (C) into slots in Legs (B) and attach shelf (C) to Posts (B) by using 2 M6 x 20 Hex Bolts (E).



Step 5

Attach two Posts (B) into Top Unit (A) using 2 M6 x 35mm Hex Bolts (D) and shelf (C) using 2 M6 x 20mm Hex Bolts (E).



CARE

Clean with mild soap and wipe dry.