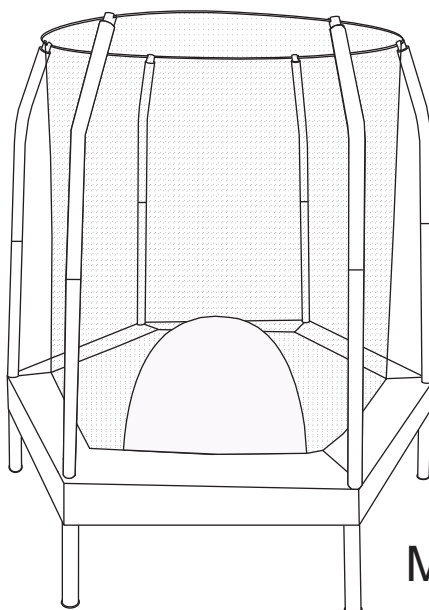




88INCH / 2.23M

7.5FT HEXAGONAL KIDS COMBO TRAMPOLINE AND ENCLOSURE



Model: BZ7524

⚠ WARNING

Read the assembly, installation, care, maintenance, and use instructions in this manual prior to assembling and using this trampoline/enclosure. Save this manual for future reference.

USER'S MANUAL 3

Assembly, Installation, Care, Maintenance, and Use Instructions.

⚠ Warning:

Recommended for use by children between 3~10 years of age.
Maximum weight limit: 100lbs(45kgs). Do not exceed the weight limit recommended by the manufacturer.

Please read all of the direction prior to assembly. Do not apply excess force during assembly. Assembly only with adult supervision. Use gloves to protect your hands from pinch points and sharp points during assembly.

Warning! Not suitable for children under 36 months. Small parts and Long cords. Choking and strangulation hazard!

YJ USA Corp.,
3970 Lindbergh Drive Addison,
TX 75001
Customer Hotline: 1-877-927-8777
www.yjusa.com

1 QUESTIONS?

If you have questions after reading this manual, please call our toll-free Customer Hot Line. The trained technicians on our Customer Hot Line will provide immediate assistance.

Customer Hot Line:
1-877-927-8777

2 REPLACEMENT PARTS

www.yjusa.com

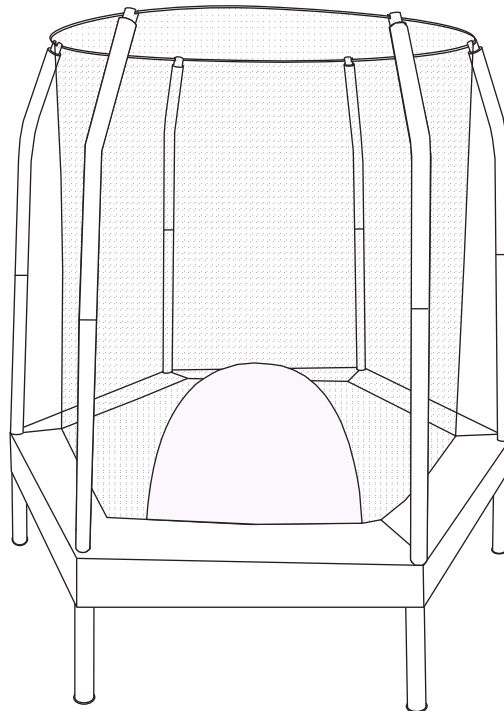


88INCH / 2.23M 7.5FT HEXAGONAL KIDS COMBO TRAMPOLINE AND ENCLOSURE

Model: BZ7524

CONTENTS

IMPORTANT PRECAUTIONS	3
ASSEMBLY	4
CARE AND MAINTENANCE	10
EXPLODED DRAWING AND PART LIST	11
ORDERING REPLACEMENT PARTS	11



IMPORTANT PRECAUTIONS

⚠ WARNING: To reduce the risk of serious injury, read and follow all warnings, precautions, and instructions in this manual before assembling and using the trampoline.

This product is intended for use by children between 3-10 years of age.

This enclosure is to be used only in connection with this trampoline.

Read and follow all warnings and instruction.

This product is intended to be assembled by an adult.

Maximum weight limited 45kg/100lbs.

Warning! Not suitable for children under 36 months. Small parts and Long cords. Choking and strangulation hazard!

ASSEMBLY

IMPORTANT ASSEMBLY INFORMATION

- A Phillips Head screw driver is needed to assemble trampoline/enclosure. However, a screwdriver is not provided.
- Assembly requires two persons. Keep children away from the trampoline/enclosure until it is fully assembled.
- Use gloves to protect your hands from pinch points during assembly.
- The assembly steps refer to parts by their descriptions and key numbers (see the PART LIST on page 11). If a part is missing, see ORDERING REPLACEMENT PARTS on page 11.

TRAMPOLINE/ENCLOSURE PLACEMENT

1. Place the trampoline/enclosure on a level surface before use.
3. Use the trampoline/enclosure in a well-lighted area. Artificial illumination may be required for indoor or shady areas.
4. Secure the trampoline/enclosure against unauthorized and unsupervised use.
5. Remove any obstructions from beneath the trampoline/enclosure.
6. The trampoline/enclosure is only to be used as an enclosure for a hexagonal trampoline.



WARNING!

Please read all of the directions prior to assembly.

Inspect the trampoline and enclosure to make sure all parts are complete. If found any worn, defective, or missing parts. Please contact customer service immediately.

Make sure you wear gloves to protect your hands from pinch point and sharp point during installation.

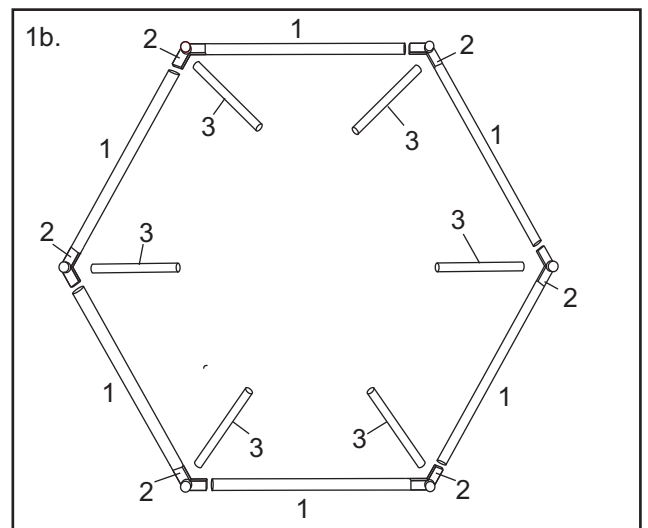
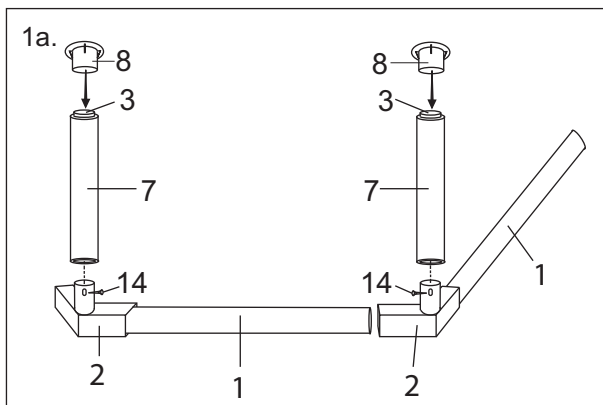
Becareful where you place your hands; the springs and frame joints can pinch.

Check all screws for tightness and tighten up if loose.

Check all sharp edges and replace when required.

1. Make sure you understand the information in the box at the top of this page before you begin assembling the trampoline.

- 1a. Lay two top tubes (1) on the ground as shown. Make sure there is a POD-connector(2) on each Top tube. Insert the top tube into the POD-connector as picture 1a shown. Insert the leg(3) with leg foam sleeve(7) into POD-connector(2), then cover the plastic foot pad(8) into leg. Tighten a Self-tapping screw(14) into small hole in the POD-connector(2).

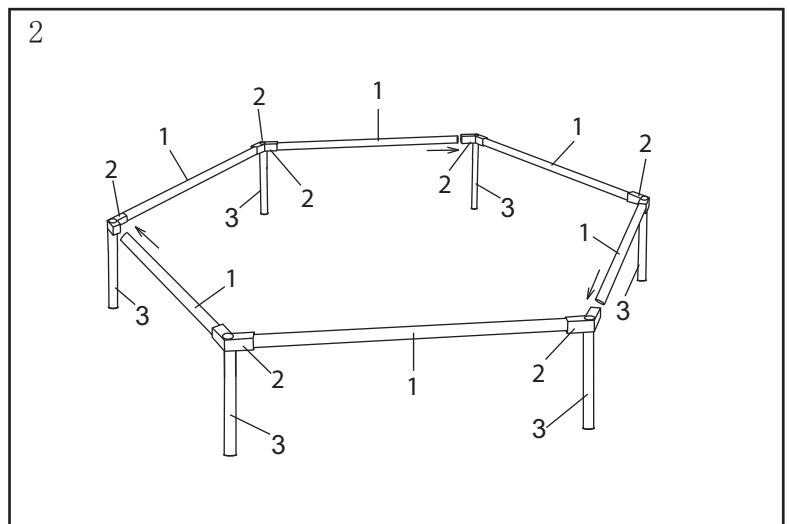


1b. You have now assembled one leg sections. Repeat two steps to assembled remaining sections.

2. Note: This step requires two persons.
During this step, you will connect the three leg sections.

Hold the leg sections in the positions shown.
Insert the top tube into the T-connector.

Repeat this step until all three leg sections are connected.

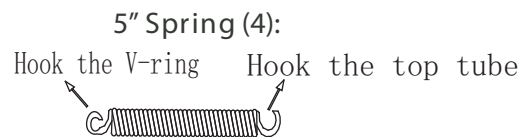
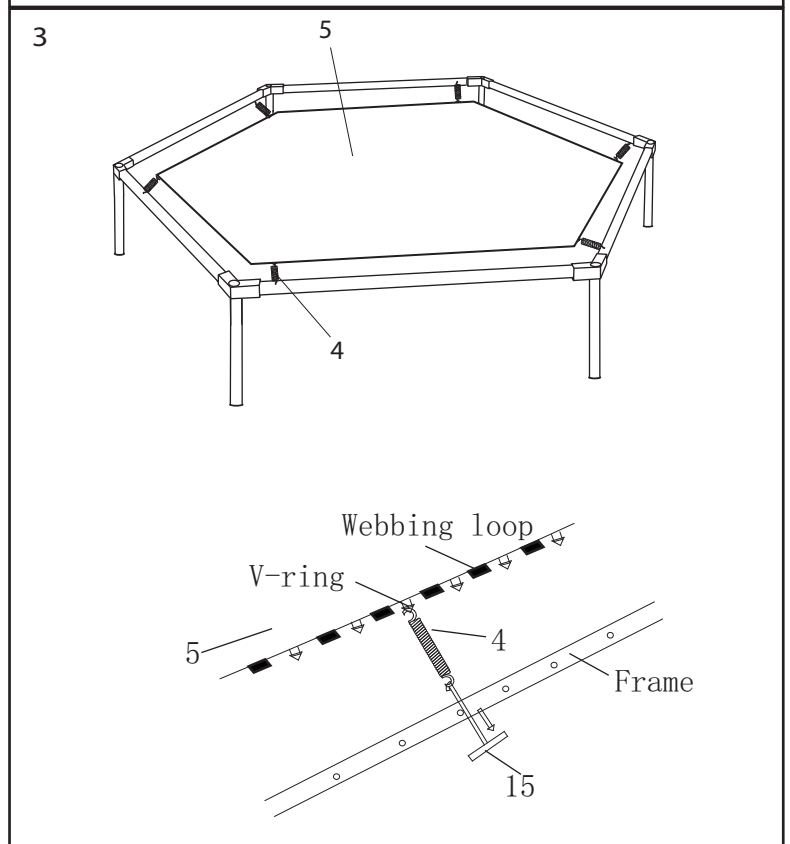


3. Lay the Bed (5) on the ground inside of the assembled frame. Make sure that the two warning decals (not shown) are on top of the Bed.

Note: There are V-rings around the edge of the Bed (5) and holes around the top of the frame.

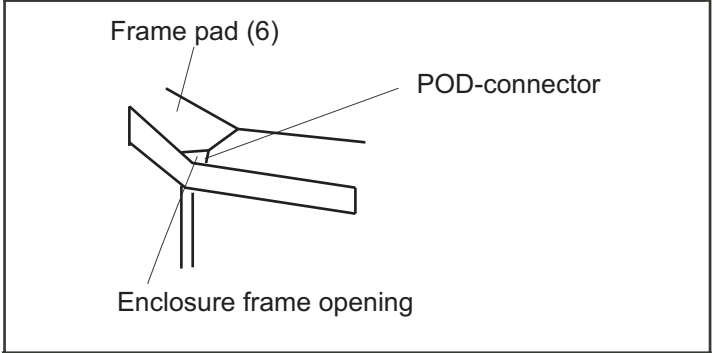
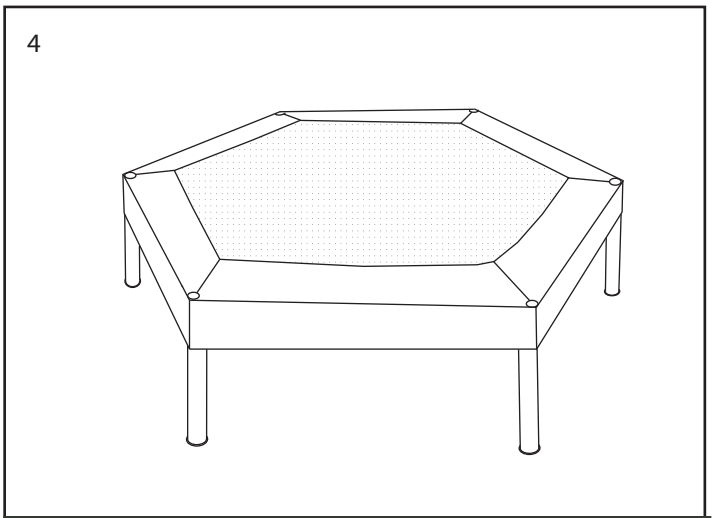
During this step, you will attach the Bed to the frame using the included Springs for holes on frame (see the inset drawing). Hook a spring to the Bed (5) and using the spring pulling tool (15), pull the spring from the Bed to the hole slot in the trampoline frame with even spring tension. Attach a second spring (4) directly across the bed from the first spring (4). Attach four more springs (4) halfway between the first two springs, so six springs (4) are attached as shown. Attach six more springs (4) (not shown) halfway between the first six springs (4). Continue attaching springs (4) halfway between the previously attached springs (4), until all the springs (4) are attached.

During the installation of springs, wear gloves and protective eye wear (not provided).

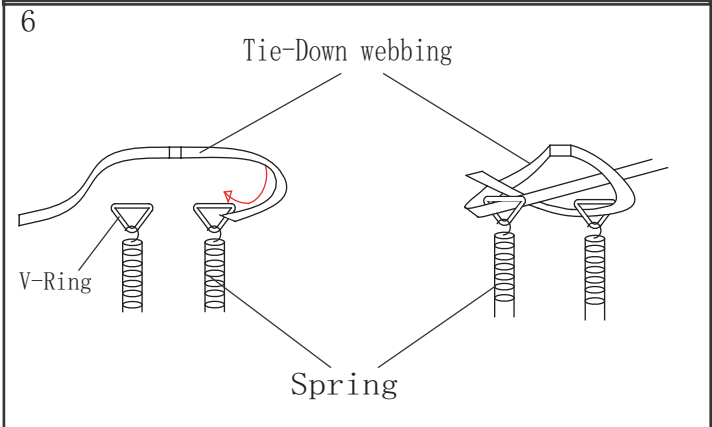
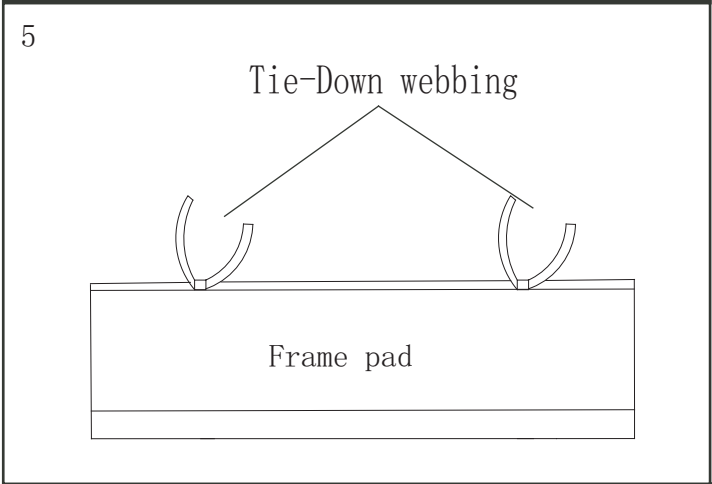


- Lay the Frame Pad (6) on the frame. Adjust the position of the Frame Pad so the notches are aligned with the Legs (3) as shown. Be sure 6 Enclosure Frame Openings are fitted to the POD-connector position.

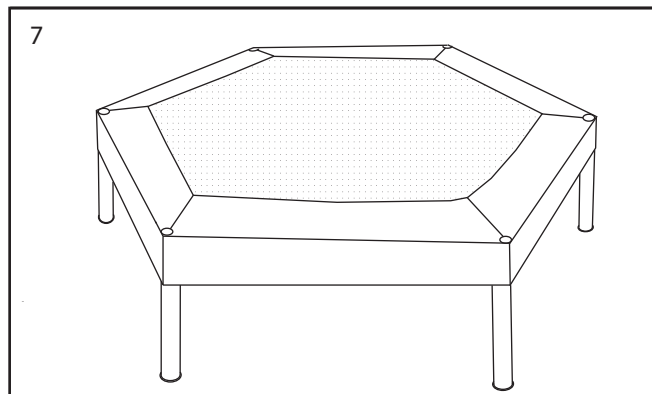
Do not use the trampoline without the Frame Pad (6), which is designed to reduce the likelihood of injury to the user from coming in contact with the trampoline frame. If you do not have a Frame Pad, contact your dealer to obtain one. Properly install the Frame Pad before using the trampoline.



- Look under the trampoline. There is a series of webbing straps around the inside edge of the Frame Pad (6). Tie these straps by hand around the nearest 2 pcs V-Rings.
- Repeat this step with the remaining straps which at middle position of each pad section (not shown).



- The trampoline is now fully assembled. Make sure that all parts are securely attached. Familiarize yourself and all users of the trampoline with the safety precautions, use and instructional materials, and care and maintenance instructions in this manual before using the trampoline.



You will require a screwdriver (not included) to complete assembly. Do not allow use of the trampoline during assembly.

- You will now assemble the Safety Enclosure for your trampoline.

Take the Enclosure Top Tube (10) and Enclosure Bottom Tube (9).

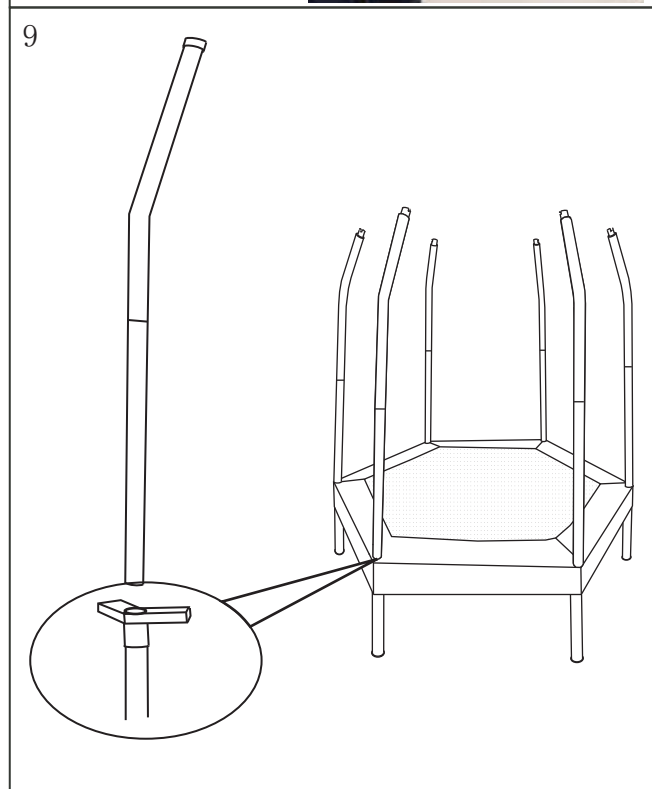
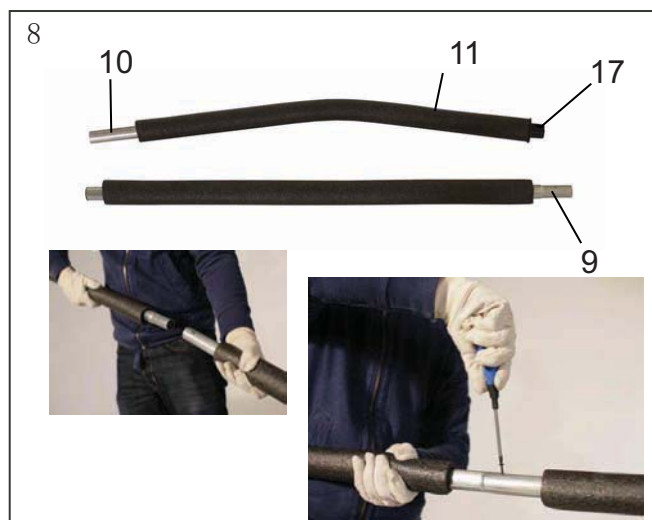
Find the tapered end of the Enclosure Bottom Tube (9) and insert it into the Enclosure Top Tube (10).

Rotate the Enclosure Top Tube (11) and Enclosure Bottom Tube (10) so the screw holes align.

Then screw the Tubes together using a self tapping screw (14).

Repeat this with the remaining 5 x Enclosure Bottom Tubes (10) and Enclosure Top Tubes (11) so you have 6 identical Enclosure Tube assemblies.

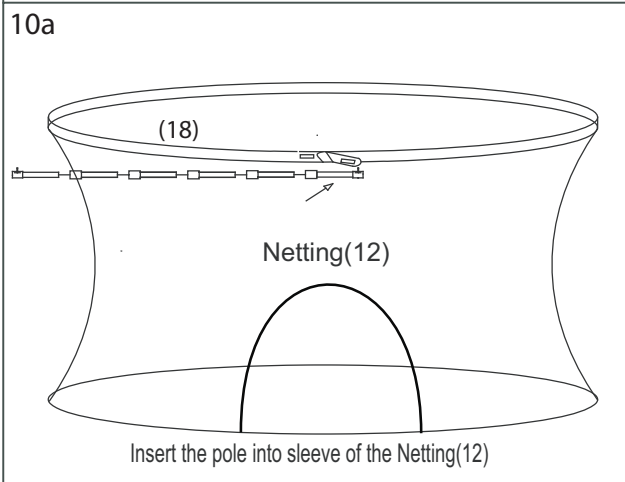
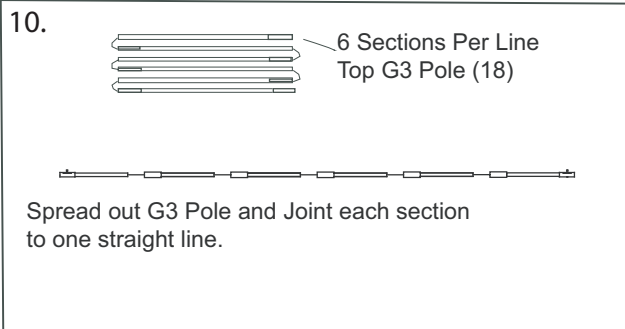
- Take a completed Enclosure Tube Assembly and insert into POD-connector(2) as shown in the picture.



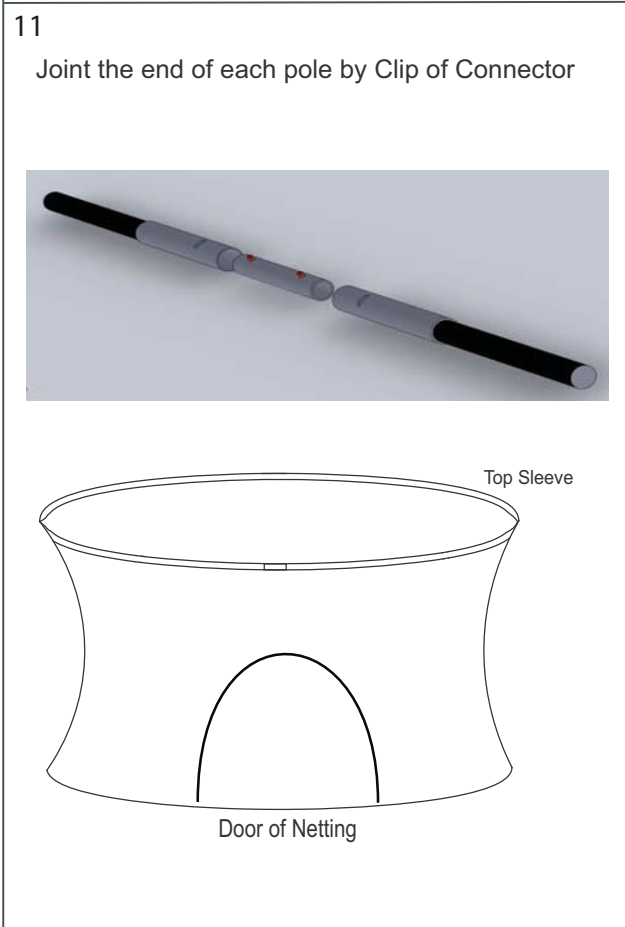
10. Lay out Top G3 Pole (18), joint each section Connector to a straight line as shown.

Assemble the remaining Top G3 Pole (18) in the same way.

Spread the Netting (12) on the trampoline bed, insert a Top G3 Pole (18) into the opening of Top Sleeve on the Netting (12). Insert the other Top G3 Pole (18) into the opposite opening of Top Sleeve on the Netting (12).



11. Join each end of Top G3 Pole (18) by the clip of connector at each opening. The Top Sleeve of the Netting (12) will become a round shape.



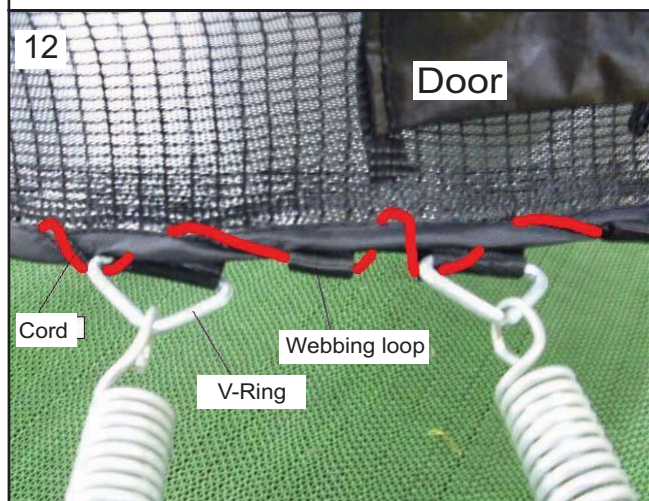
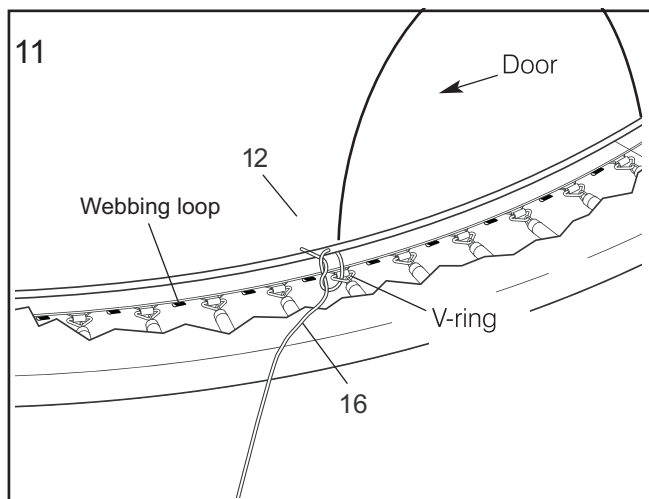
12. Note: During steps 12 and 13, you will “sew” the lower edge of the netting(12) to the V-ring and webbing loop on the bed using the cords(16).

Locate the V-ring closest to the door. Thread one end of a cord(16) through the lower edge of the netting(12) above the V-ring and then thread the cord through the V-ring. Tie the netting to the V-ring, by making a double knot in the cord.

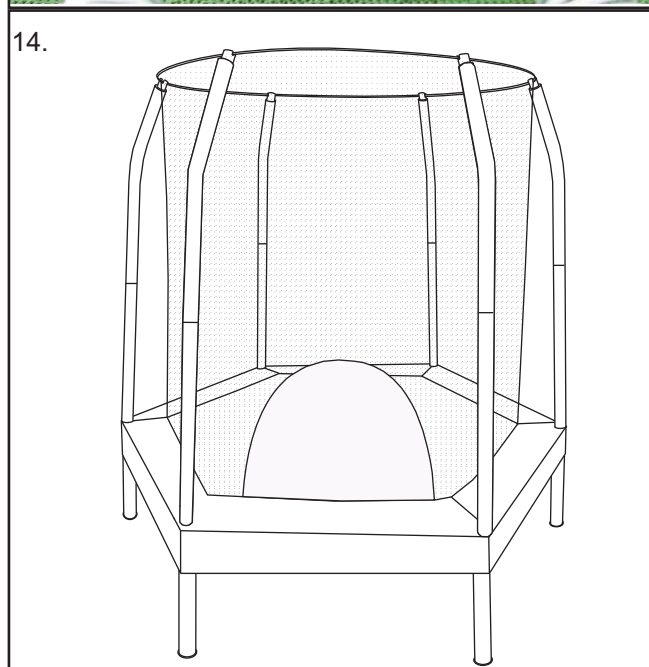
13. Thread the cord(16) through the lower edge of the netting(12) to the V-ring and webbing loop. Repeat this procedure until the entire cord is threaded through the netting, V-rings and webbing loops as shown.

Keep the cord taut. Tie the end of the cord to the last V-ring that it reaches.

Tie a second cord(not shown) to the last V-ring reached by the first cord. Thread the second cord through the netting(12), V-rings and webbing loops as described above. Repeat this procedure with the remaining cord until the last cord reaches the first cord. (Note: The last cord may overlap the first cord.) **Make sure that the netting is sewn to every V-ring and webbing loop on the trampoline bed; the netting below the door must also be sewn to the V-rings.**



14. The trampoline / enclosure is now fully assembled. Make sure that all parts are securely attached. Familiarize yourself and all users of the trampoline/enclosure with the safety precautions, use and instructional materials, and care and maintenance instructions in this manual before using.



Disassembly

To disassembly the trampoline enclosure, follow assembly steps 1 through 13 in reverse order. Do not attempt to disassembly any trampoline frame components before the springs and bed have been removed. Use gloves to protect your hands from pinch points during disassembly.

CARE AND MAINTENANCE

Care

Do not allow pets or animals on the trampoline or inside the enclosure, as claws may snag and pull the bed material or damage the frame pad or netting.

The trampoline/enclosure is intended to be used by one person at a time weighing 45kg(100lbs) or less. The user should be either barefoot or wearing socks. Street shoes or tennis shoes should not be worn on the trampoline. The user should remove all sharp objects from his or her person that may cause injury or damage to the bed. Heavy, sharp, or pointed hard objects should not contact the bed. Appropriate shoes should be worn inside the enclosure to reduce wear to the bed.

Maintenance

Your trampoline is manufactured using quality materials and crafted to provide your children with many years of enjoyment. Proper maintenance and care will help to prolong the life of the trampoline and reduce the possibility of injury.

Prolonged exposure to the sun, especially ultraviolet rays, will shorten the life of the trampoline/enclosure fabric. For longer fabric life store the trampoline/enclosure when it is not being used a dry trampoline/enclosure, properly stored, will provide the longest life of the fabric, sewing, and hardware. Remove the enclosure from the trampoline during harsh weather conditions or during long periods of non-use.

The following guidelines should always be observed. Inspect the trampoline/enclosure before each use, and replace any worn, defective, or missing parts. The following conditions could represent potential hazards and increase the danger of personal injury:

- a missing, improperly positioned, or insecurely attached frame pad, netting, enclosure tubes, foam sleeves.
- punctures, frays, tears, or holes worn in the bed, frame pad, netting, foam sleeves.
- deterioration in the stitching or fabric of the bed, frame pad, netting.
- ruptured or missing springs.
- a bent or broken frame, leg, enclosure tubes.
- a sagging bed or netting.
- sharp protrusions on the frame, suspension system, enclosure tubes.

If any of these conditions exists, the trampoline should be disassembled or otherwise protected against use until the condition is remedied.

Removing and storing the trampoline/enclosure

Make sure that the trampoline/enclosure is dry before removing and storing it. Use caution while removing the tubes due to the weight of the tubes.

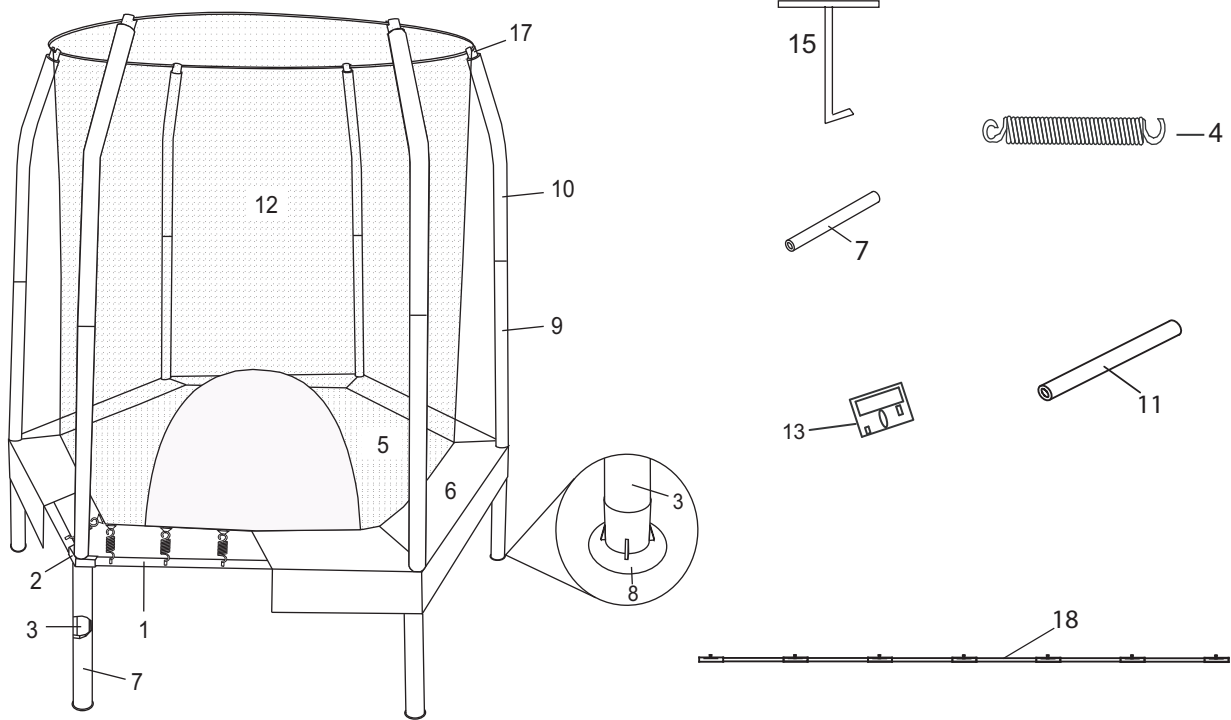
Once the enclosure is removed from the trampoline, remove all items from the trampoline bed. Make sure that the bed is clean and that it has no tears or holes. Store the trampoline/enclosure in a safe, dry location.

Moving the trampoline

If the trampoline/enclosure needs to be moved, it should be moved by two persons, kept horizontal, and lifted slightly. If necessary, the trampoline/enclosure can be disassembled for moving.

To disassemble the trampoline/enclosure, follow the assembly steps in reverse order (see pages 4 to 9). Do not attempt to disassemble the frame sections, legs or bases before the bed and springs have been removed.

EXPLODED DRAWING AND PART LIST



Key No.	Qty.	Description	Key No.	Qty.	Description
1	6	Top Tube with POD-connector	11	12	Enclosure Foam Sleeves
2	6	POD-connector	12	1	Netting with attached Hardware
3	6	Straight leg	13	1	User's Manual
4	36	5" Length Springs	14*	12	Self-tapping Screw
5	1	Stitched Bed with V-rings	15	1	Spring Pulling Tool
6	1	Frame Pad	16*	4	Cord
7	6	Leg foam sleeve	17	6	Plastic Cap(have been attached to the Enclosure top pole 10)
8	6	Plastic foot pad	18	1	G3 FRP
9	6	Enclosure Bottom poles			
10	6	Enclosure Top pole			

*This part is not illustrated.
Specifications are subject to change without notice.

ORDERING REPLACEMENT PARTS

To order replacement parts, visit our Web site or call our Customer Hot Line (see page 2). To help us assist you, please provide the following information when calling:

- the MODEL of the trampoline/enclosure
- the NAME of the product
- the KEY NUMBER and DESCRIPTION of the part (see the PART LIST above)
- the quantity needed
- the desired method of shipping