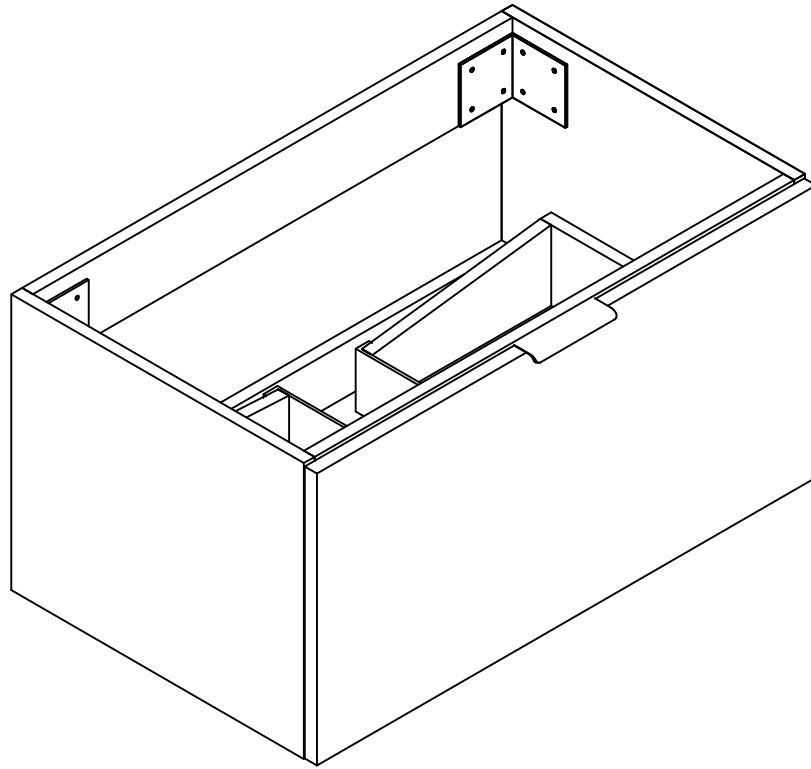


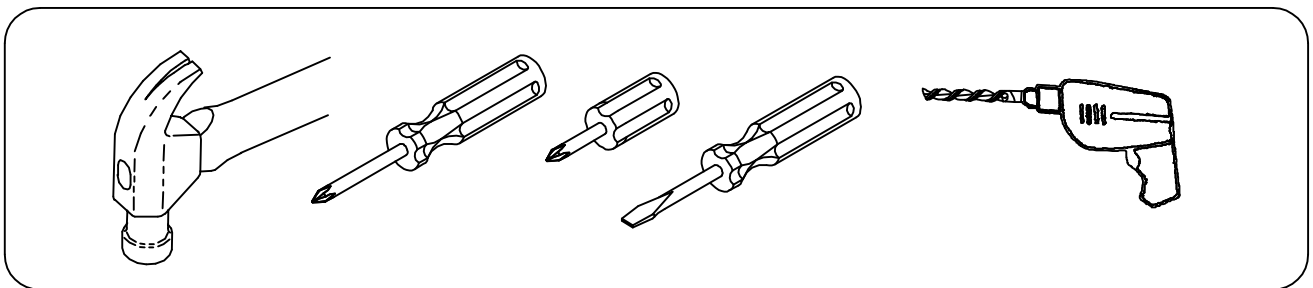
US 125



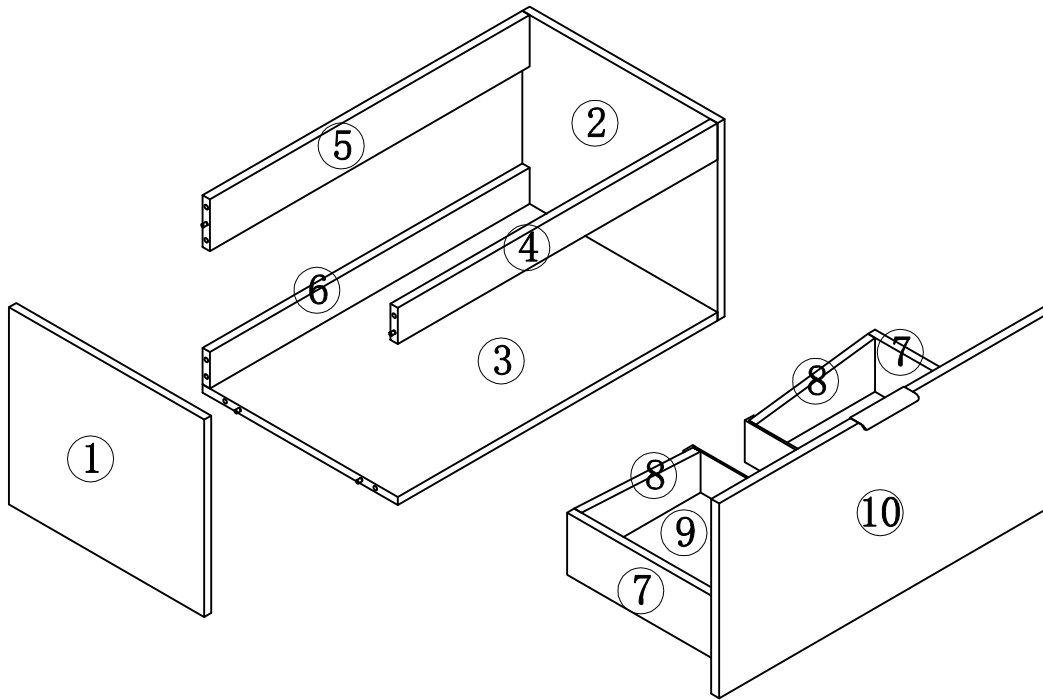


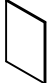

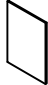


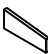



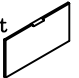
For the convenience and neatness of reading the manual, the door panel here is displayed using a simple drawing method.






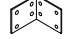

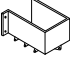

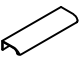
## YOU MAY NEED (NOT SUPPLY)



# ASSEMBLY DIAGRAM

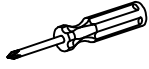


PARTS LIST					
PARTS LIST					
NO	DESCRIPTION	QTY	NO	DESCRIPTION	QTY
①	Left side panel 	1	⑥	Back fixed panel 	1
②	Right side panel 	1	⑦	Drawer side panel 	2
③	Bottom panel 	1	⑧	Drawer rear panel 	2
④	Front fixed panel 	1	⑨	Drawer bottom panel 	1
⑤	Back fixed panel 	1	⑩	drawer front panel 	1

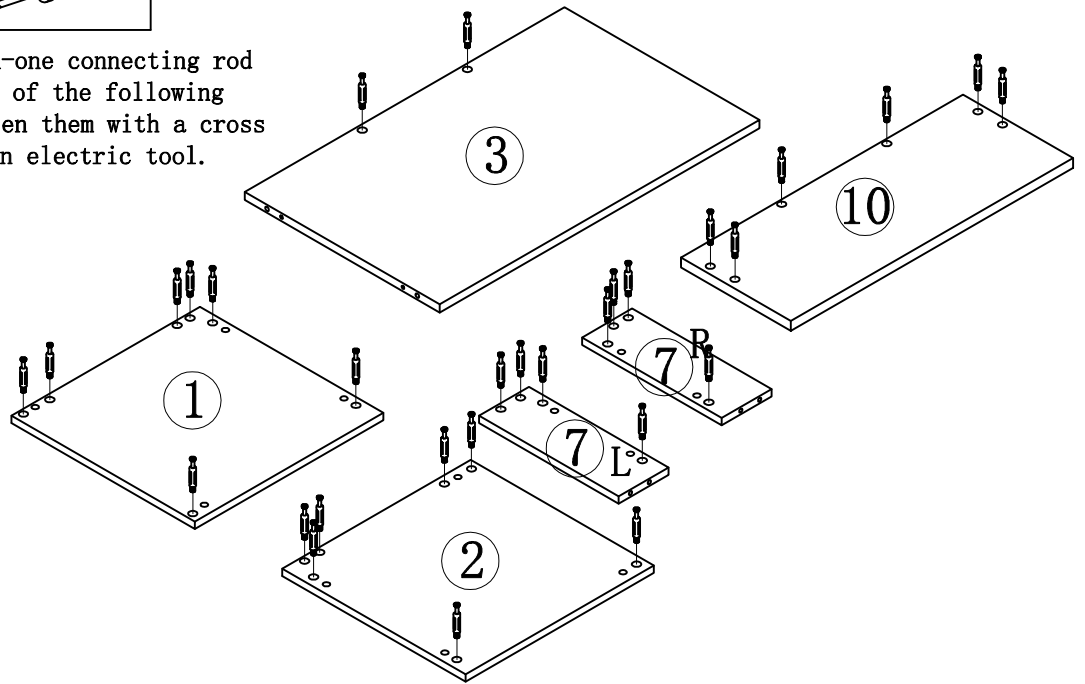
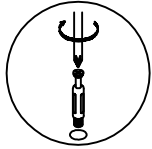
PARTS LIST					
HARDWARE LIST					
NO	DESCRIPTION	QTY	NO	DESCRIPTION	QTY
A	Three-in-one eccentric wheel 	30	F	4*12mm screw 	2
B	Three-in-one connecting rod 	30	G	4*16mm screw 	38
C	Three-in-one sticker 	30	H	White angle bracket 	2
D	8*40mm wood dowel pins 	12	I	Drawer U-shaped plastic 	1
E	Drawer slides 	2	J	drawer handle 	1

CAUTION:  
Please confirm the parts list before installation

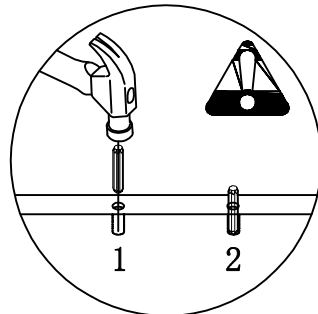
# STEP 1

HARDWARE LIST	
Three-in-one connecting rod B 30PCS	

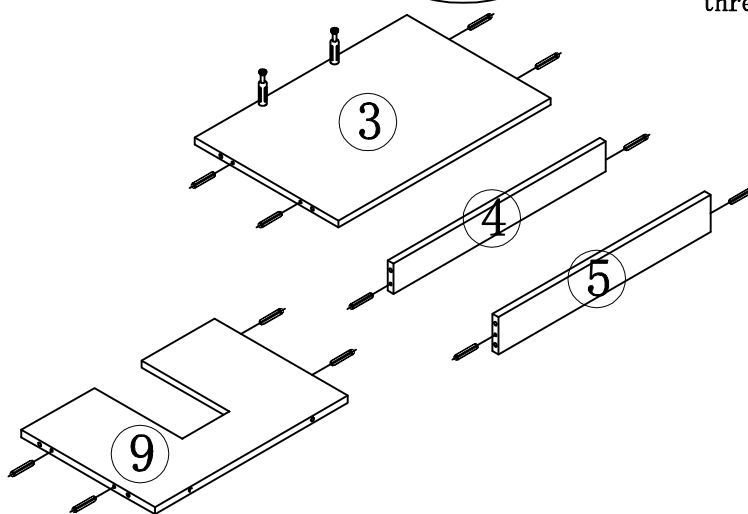
1. Put the three-in-one connecting rod in the 10mm hole of the following panels and tighten them with a cross screwdriver or an electric tool.

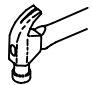


# STEP 2

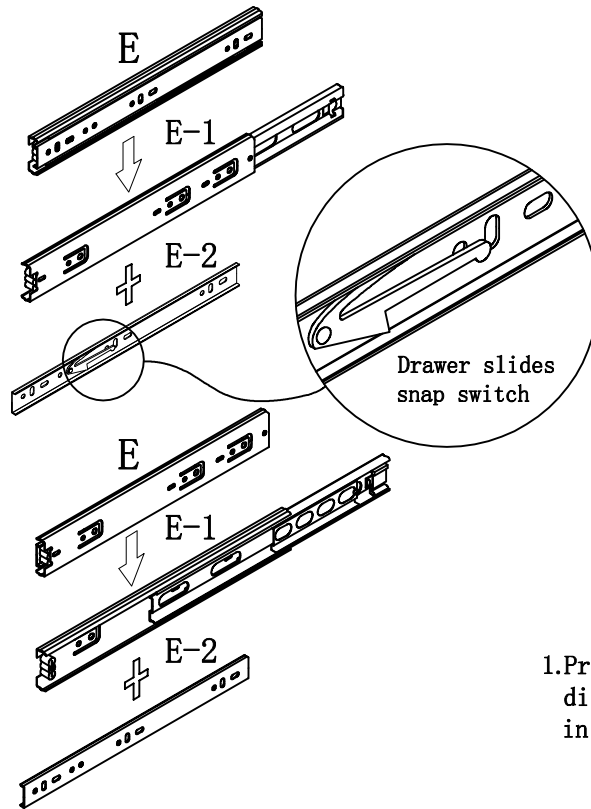




1. Strike the 08\*40mm wood dowel pin into the 8mm hole of the above panels with an iron hammer. Please note that the hole of the three-in-one connecting rod should also be 8mm. The hole of the three-in-one connecting rod connects to the hole of 15mm three-in-one eccentric wheel.



HARDWARE LIST	
8*40mm wood dowel pins D 12PCS	

# STEP 3

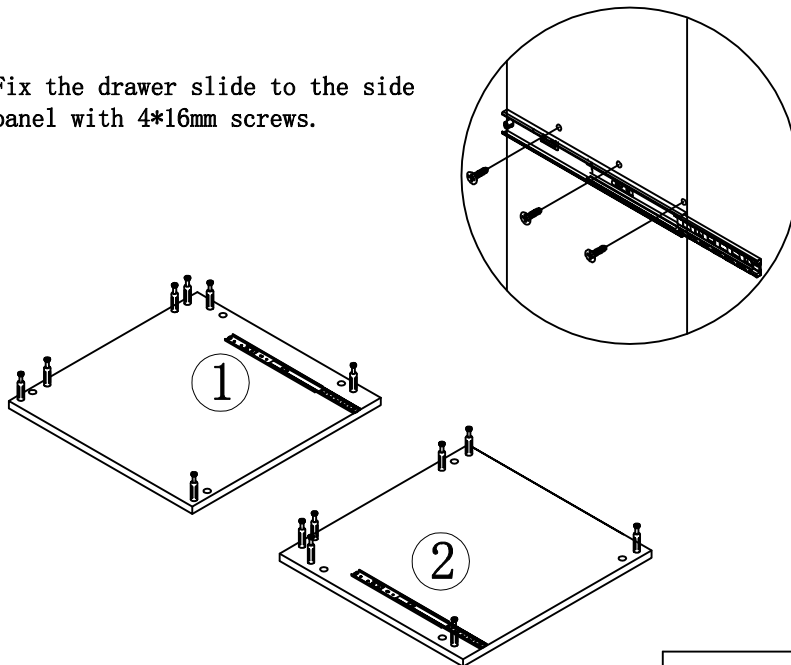


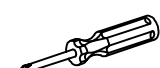


HARDWARE LIST	
Drawer slides	
E  2PCS	

1. Press the slide snap switch, disassemble slide blocks and put them in a place properly for further use.

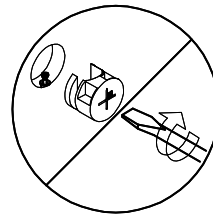
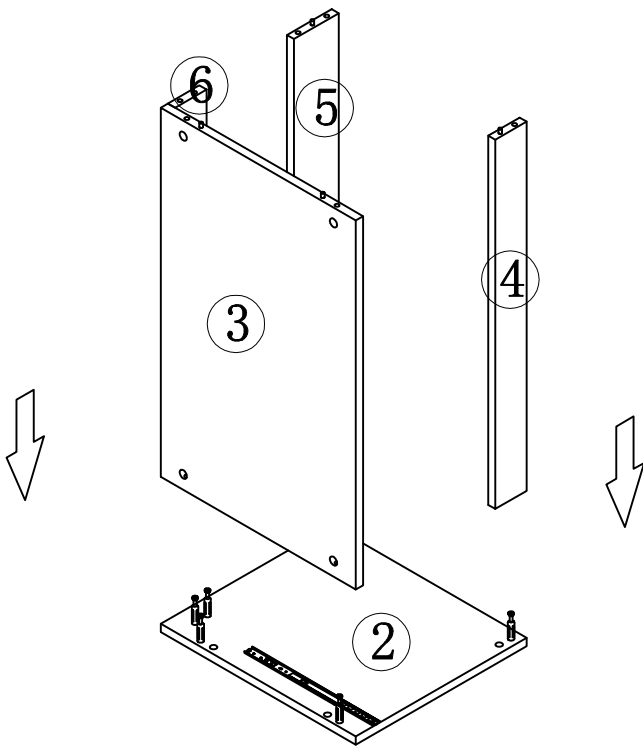
# STEP 4

1. Fix the drawer slide to the side panel with 4\*16mm screws.

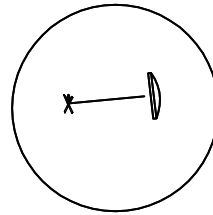


HARDWARE LIST		
4*16mm screw	Drawer slides	
G  6PCS	E-1  2PCS	




# STEP 5



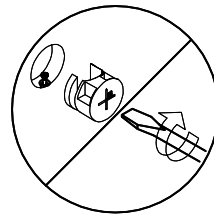
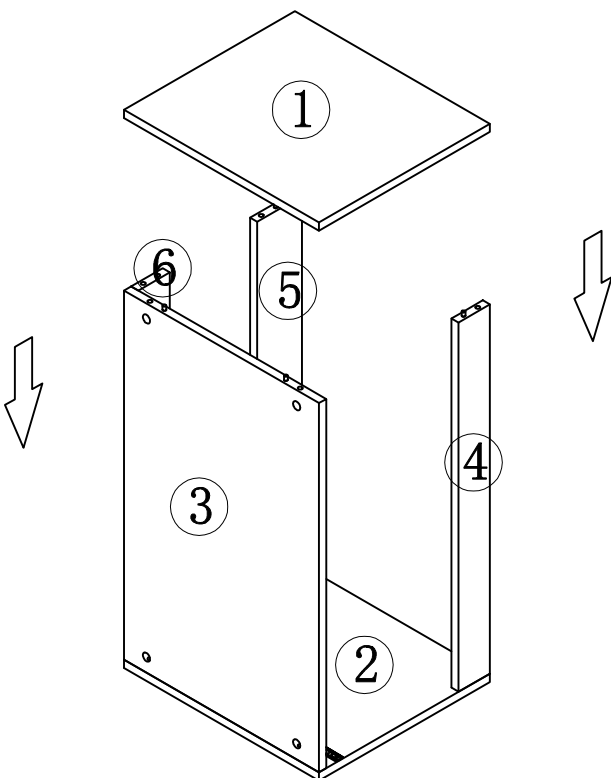
1. Connect No. 3-4-5-6 panel to No. 2 panel tightly with the three-in-one eccentric wheel.



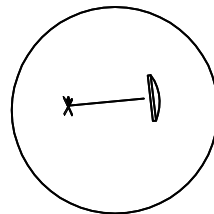
2. Cover the mounting hole of the eccentric wheel with a three-in-one sticker.

HARDWARE LIST		
Three-in-one eccentric wheel A  9PCS	Three-in-one sticker C  9PCS	


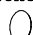

# STEP 6



1. Connect No. 1 panel to No. 3-4-5-6 panel tightly with the three-in-one eccentric wheel.

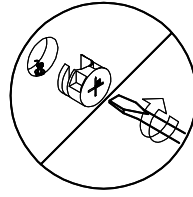
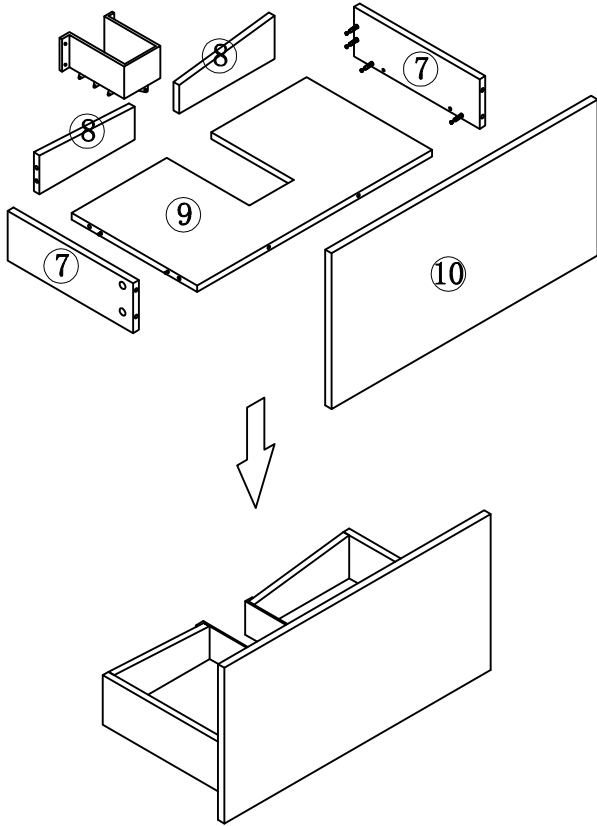


2. Cover the mounting hole of the eccentric wheel with a three-in-one sticker.

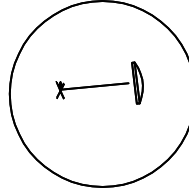
HARDWARE LIST		
Three-in-one eccentric wheel A  7PCS	Three-in-one sticker C  7PCS	

# STEP 7



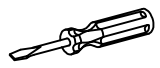


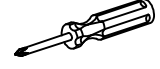
1. Install the Drawer U-shaped plastic with 4\*16mm screws.



1. Install No. 7-8-9-10 panels with the three-in-one eccentric wheel tightly.

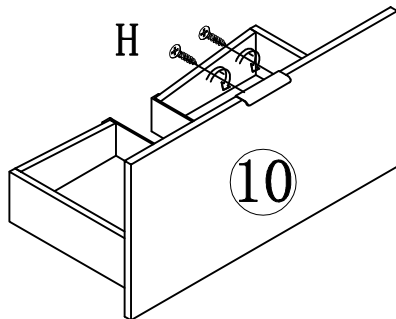




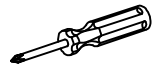
2. Cover the mounting hole of the eccentric wheel with a three-in-one sticker.

HARDWARE LIST		
Three-in-one eccentric wheel A  14PCS	Three-in-one sticker C  14PCS	
Drawer U-shaped plastic I  1PCS	4*16mm screw G  10PCS	

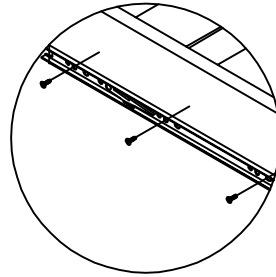
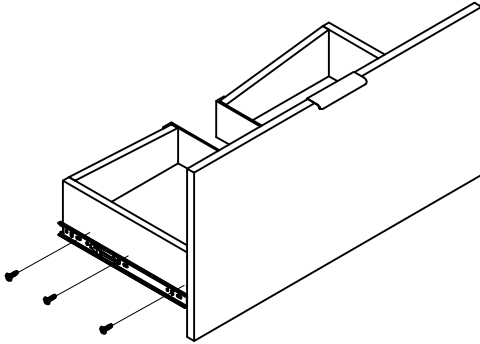
# STEP 8

1. Install the drawer handle with 4\*12 mm screws.

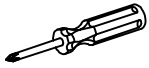




HARDWARE LIST		
4*12mm screw F  2PCS	Drawer handle J  1PCS	

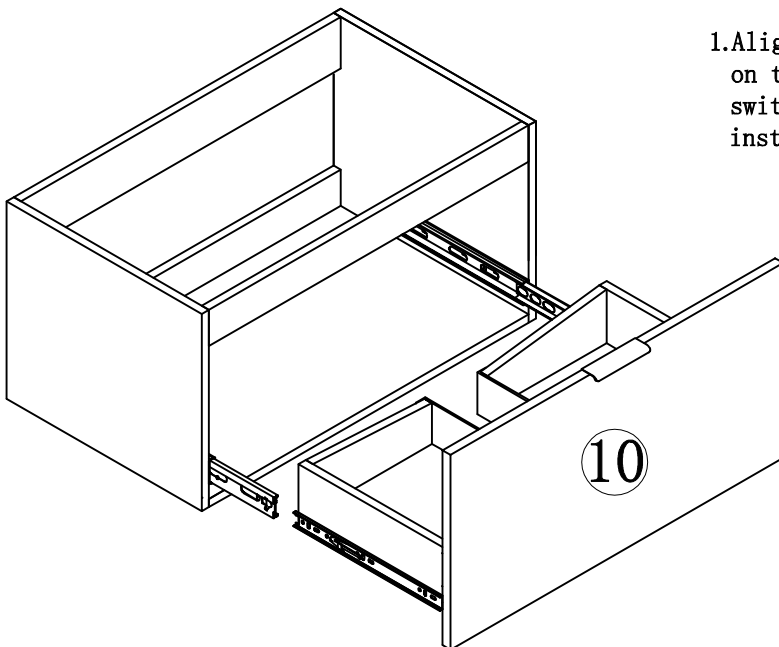
# STEP 9



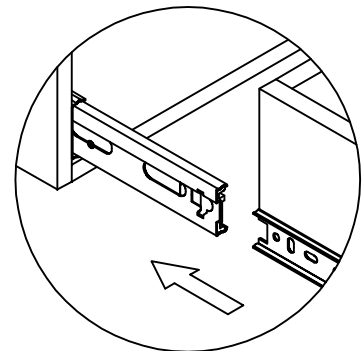
1. Lock the spare drawer slide block to the drawer.

HARDWARE LIST		
4*16mm screw	Drawer slides	
G  6PCS	E-2  2PCS	

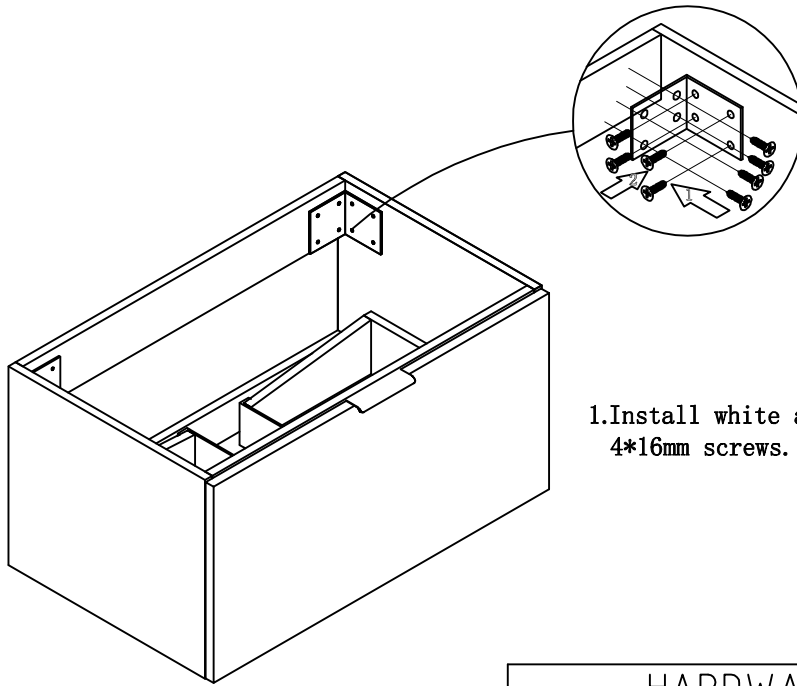
# STEP 10



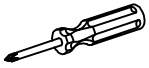


1. Align slide block with the trough on the guide rail, press the snap switch and press it forward to install the drawer.



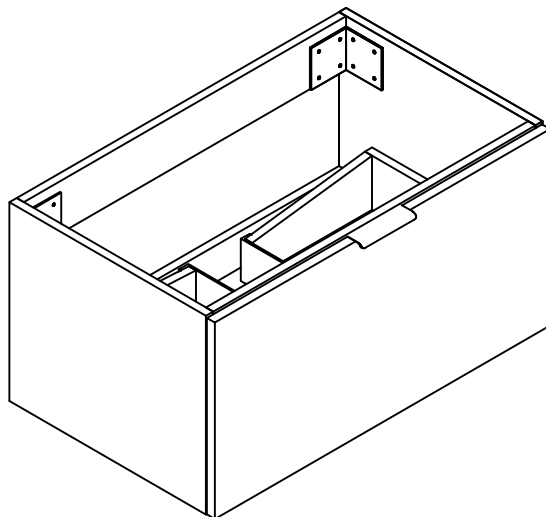
# STEP 11



1. Install white angle bracket with 4\*16mm screws.

HARDWARE LIST		
4*16mm screw	White angle bracket	
G  16PCS	H  2PCS	

# STEP 12





**Choking hazard-Small Parts :** This unit contains small parts, not for children under 3 years.

**Tip-over hazard :** Secure finished unit to wall stud using L-Bracket and wall screw (#10\*1.5"W/out provided). If a wall stud is not neccessible , Consault your local hardware store for appropriate mounting hardware . Failure to properly install will result in product collapse or tip-over. Serious injury can occur .