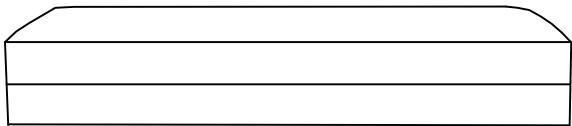
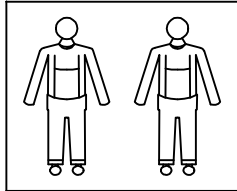


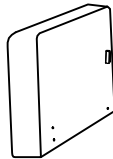
ASSEMBLY INSTRUCTION



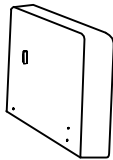
A X 1



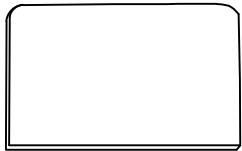
B X 1



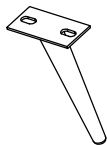
C X 1LEFT



C X 1RIGHT



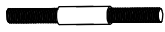
D X 2



E X 4



F X 8



G X 6



H X 6



I X 8



J X 6



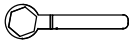
K X 6



L X 6



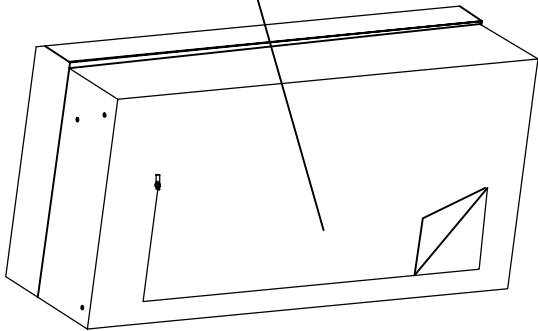
M X 1



N X 1

KINDLY REMINDER

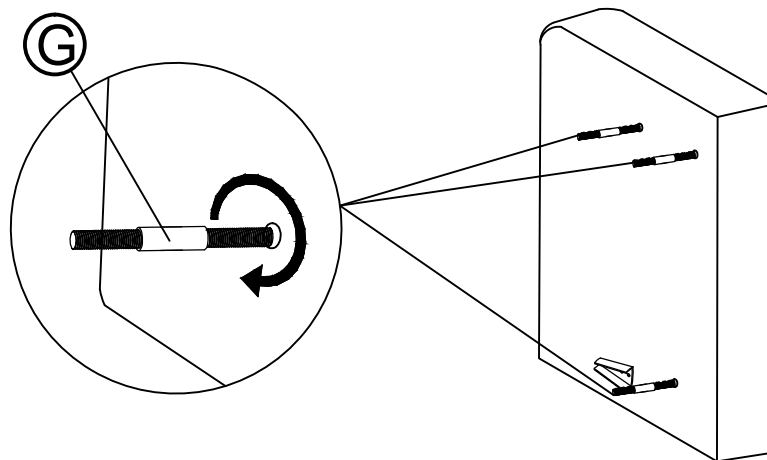
D X 2、E X 4、F X 8、G X 6、H X 6、I X 8
 J X 6、K X 6、L X 6、M X 1 N X 1
 PACKED IN SOFA STORAGE



CAREFULLY UNPACK AND PLACE THE SOFA BODY (A) ON A CLEAN FLAT SURFACE TO SHOW THE BASE AS SHOWN.
 UNPACK PARTS FROM THE STORAGE COMPARTMENT

STEP 1 : Screw in three threaded rods into pre-drilled holes of armrest by hand until about half of the thread is exposed. Repeat steps for other armrest.

 G X 6



STEP 2 : Locate pre-drilled holes on the side of sofa body and match the orientation with the correct armrest. Now, carefully join armrest (with the three threaded rods exposed) with sofa body by aligning and going through the three pre-drilled holes at the side of sofa body. Open compartment cover underneath the sofa base and secure all three threaded rods with flat washers, spring washers and nuts from inside with spanner making sure there is no movement. Repeat step for other armrest.

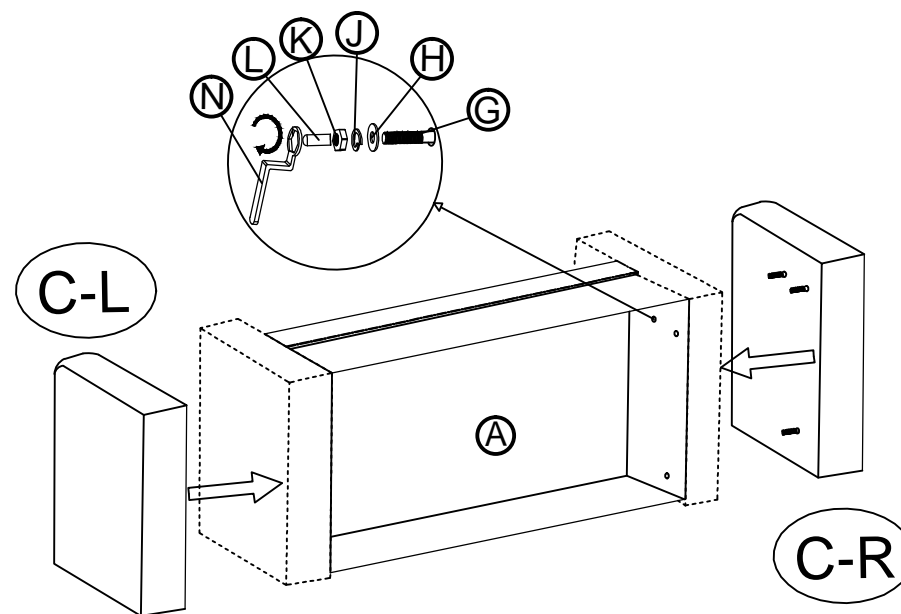
 N X 1

 L X 6

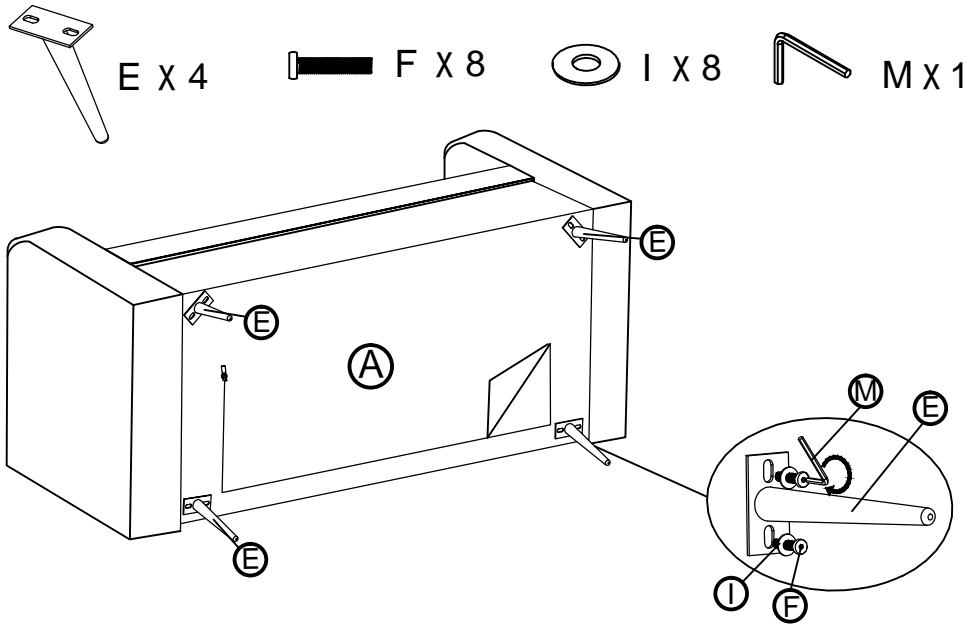
 K X 6

 J X 6

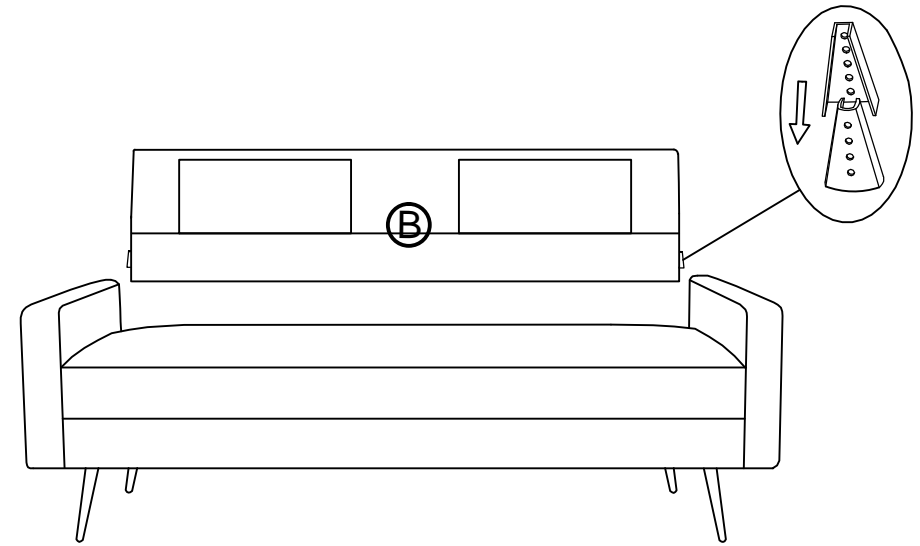
 H X 6



STEP 3 : Align all four legs onto pre-drilled holes and secure by hand. Please avoid overtightening.



STEP 4 : Insert backrest metal plates to both arms as shown below. Ensuring it is correctly in place.



STEP 5

