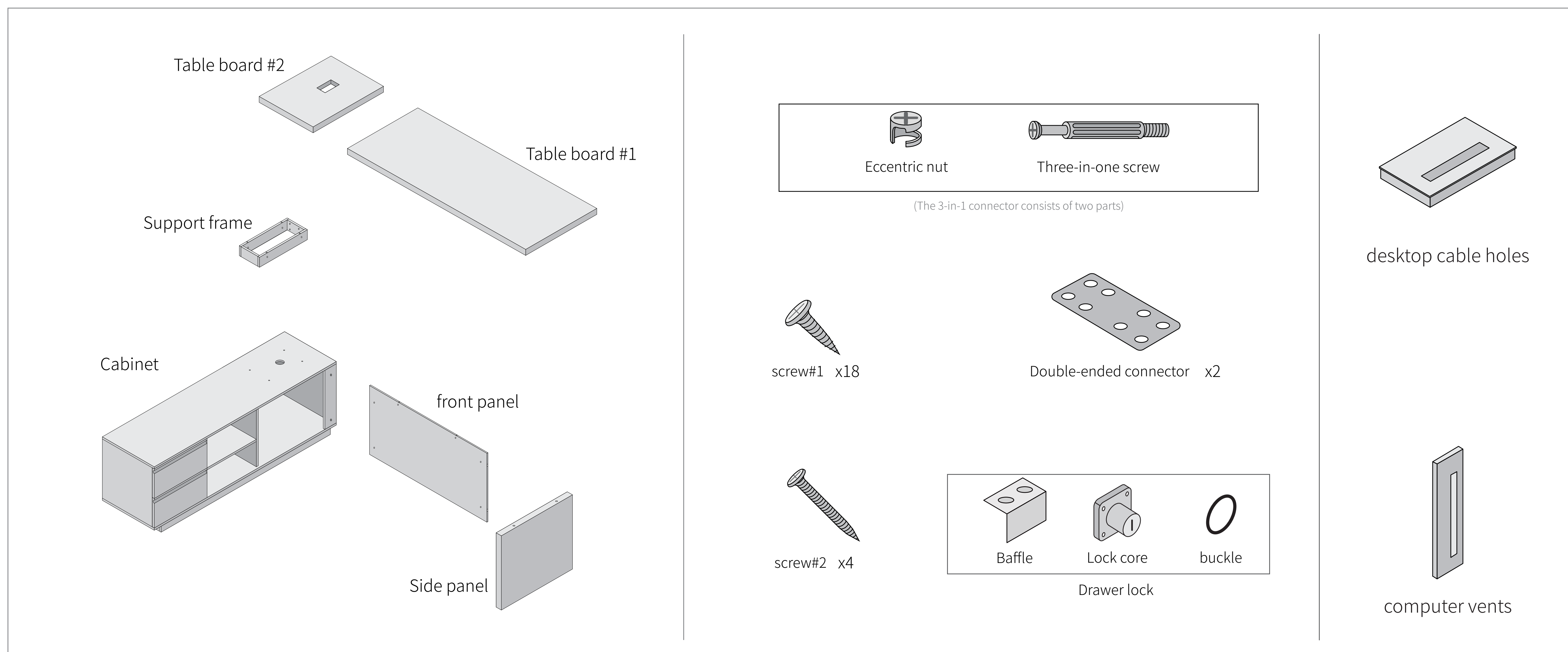


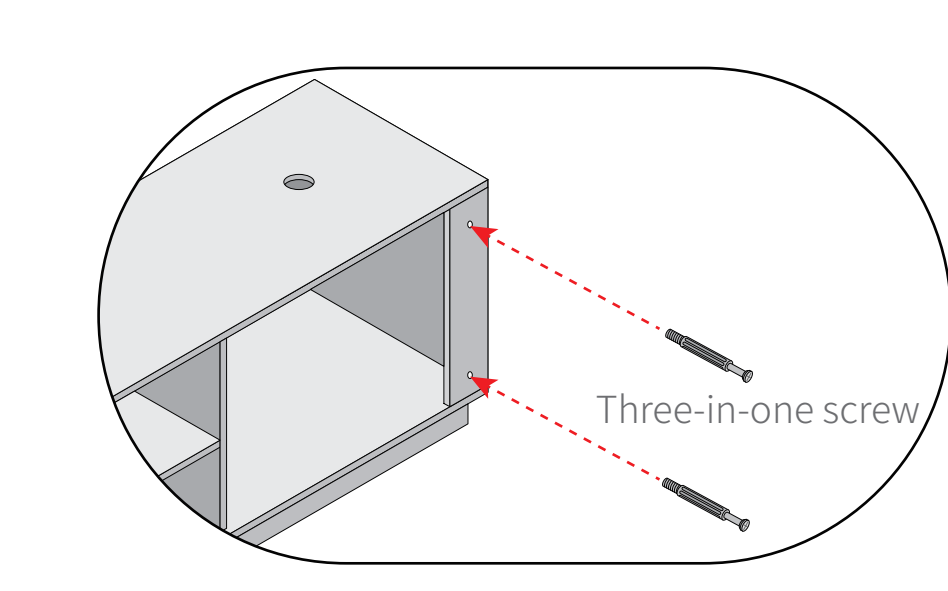
# INSTALLATION INSTRUCTIONS

## PARTS LIST

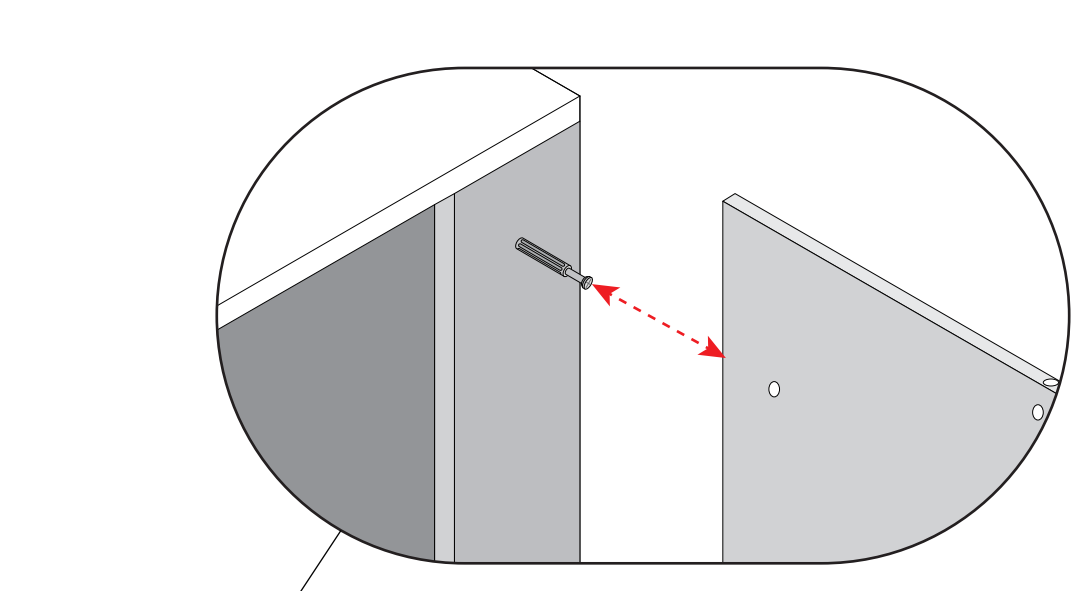
The extra parts are for spare



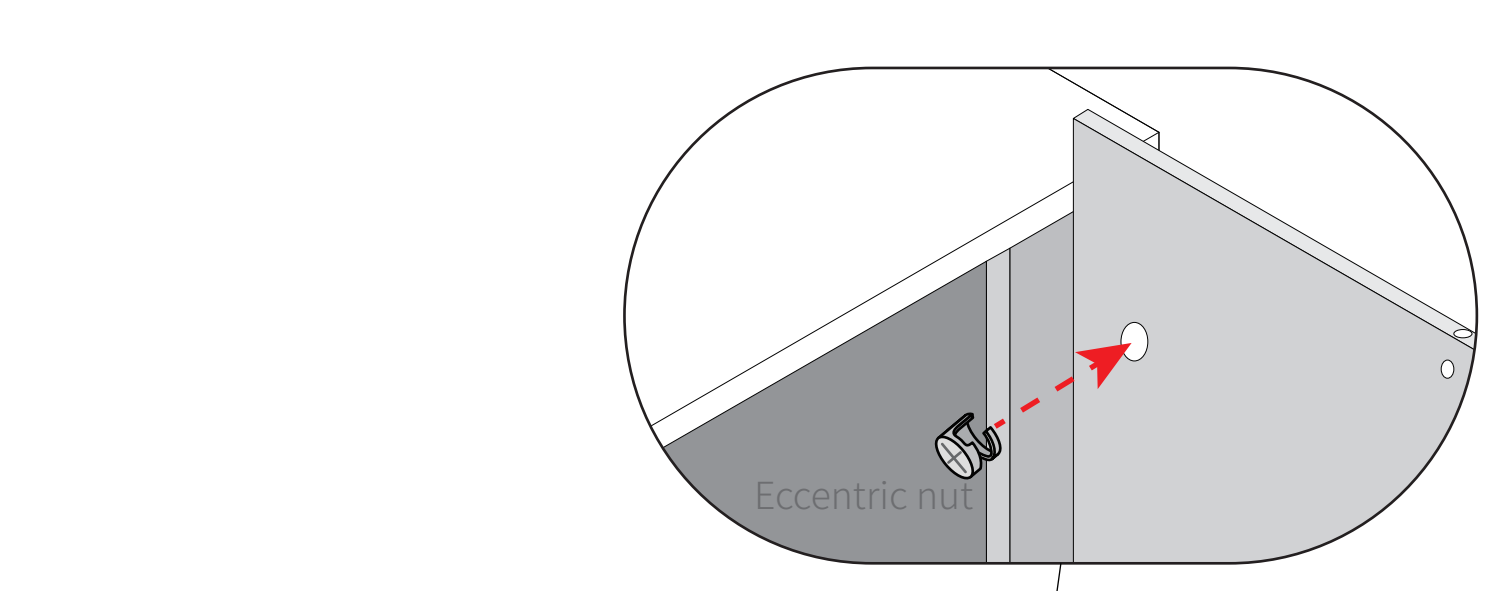
**STEP 1**  
Install the three-in-one screws onto the cabinet and the side panels



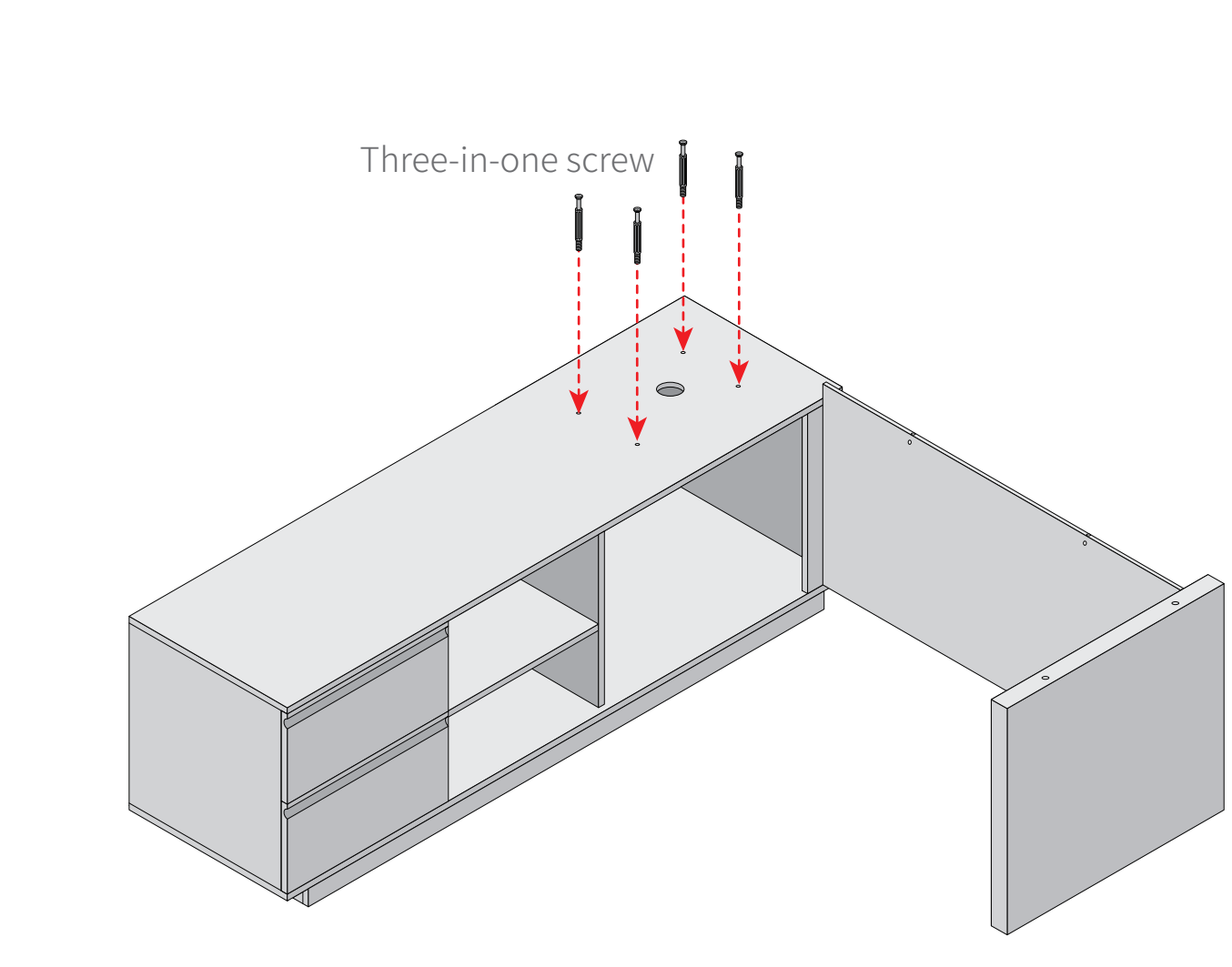
**STEP 2**  
Connect the cabinet and the side panels through the front panel



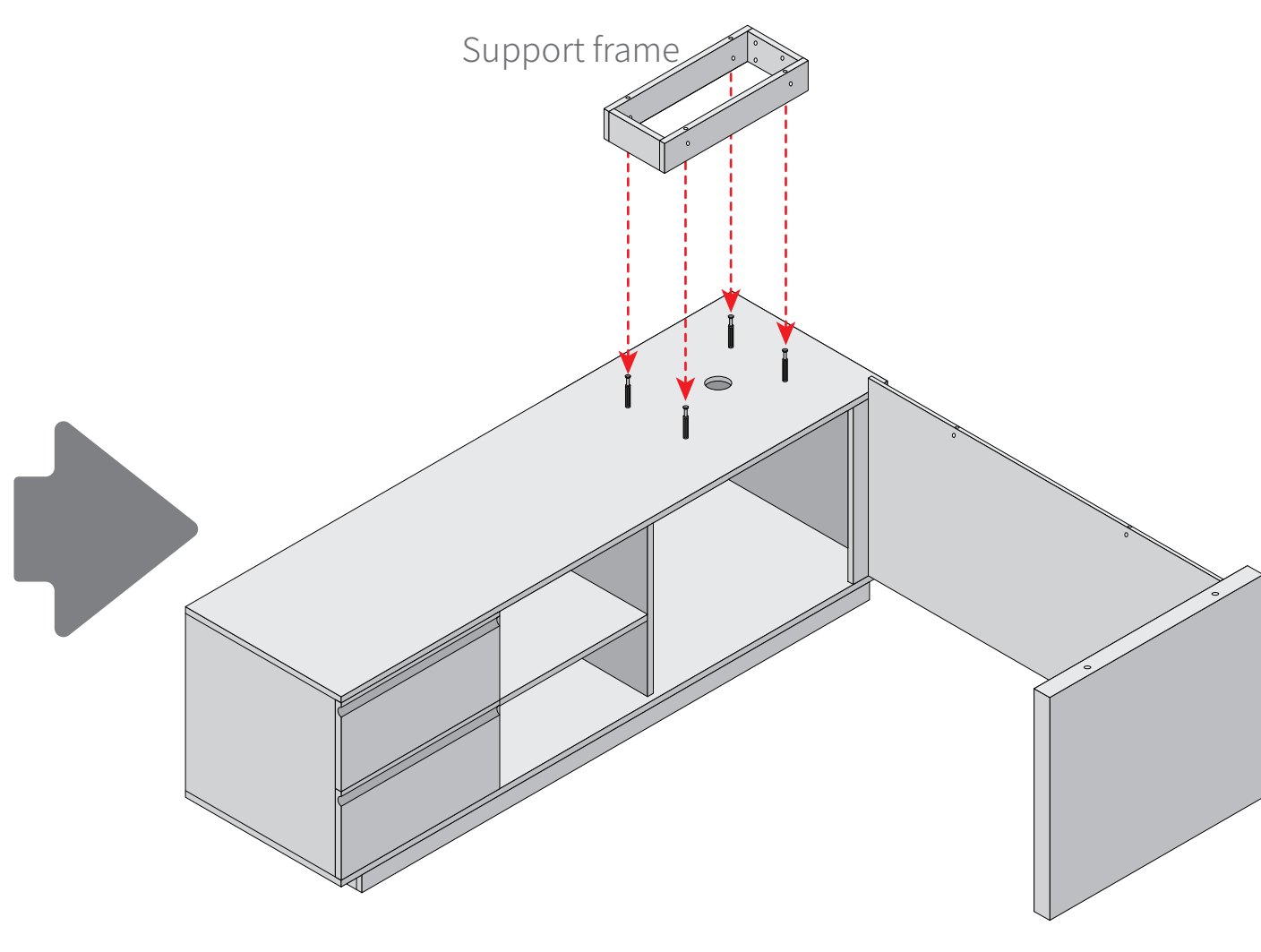
**STEP 3**  
It is fixed by Eccentric nut



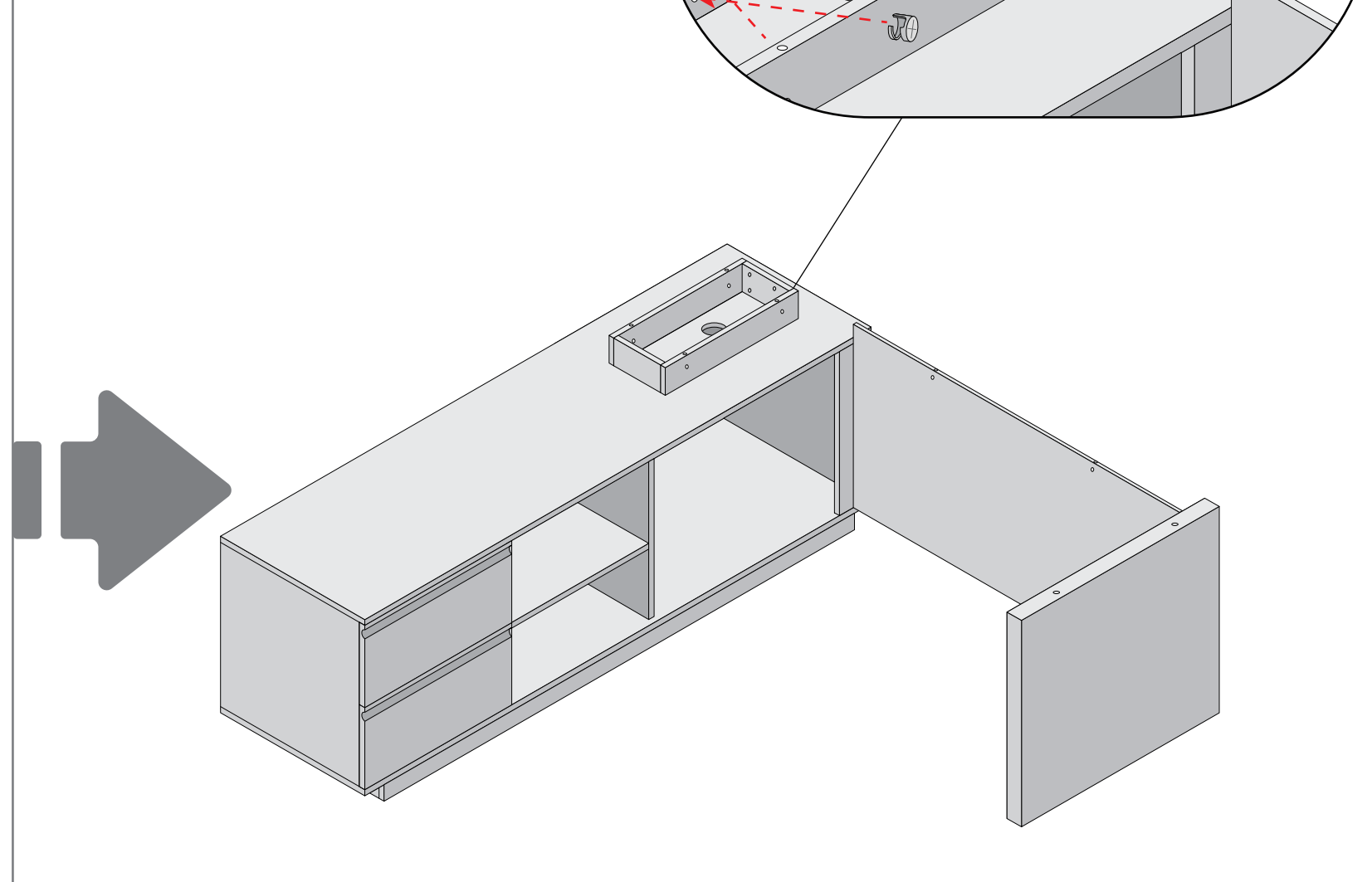
**STEP 4**  
Install the 3-in-1 screws into the top holes of the cabinets



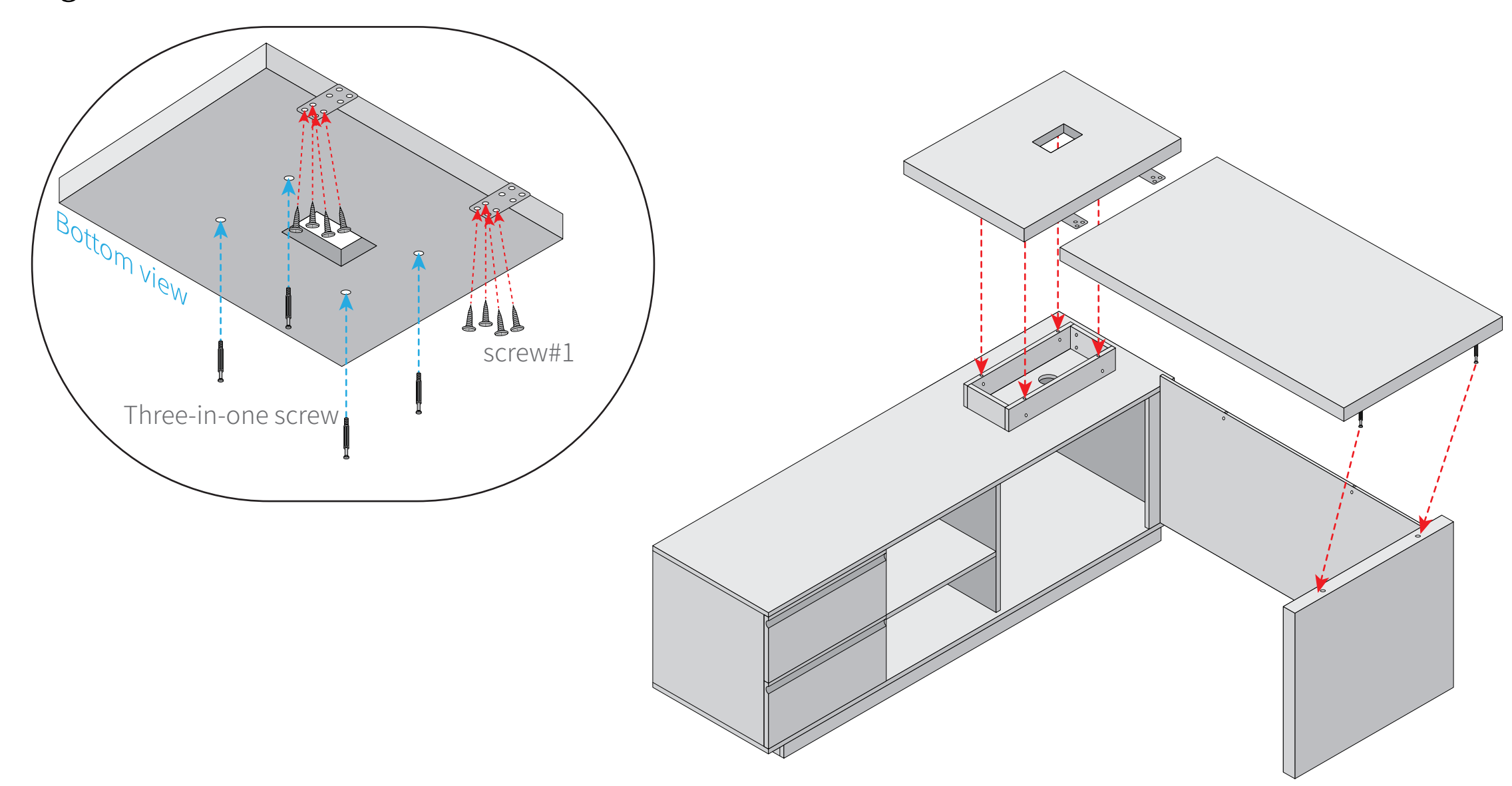
**STEP 5**  
Install the support frame on the cabinet



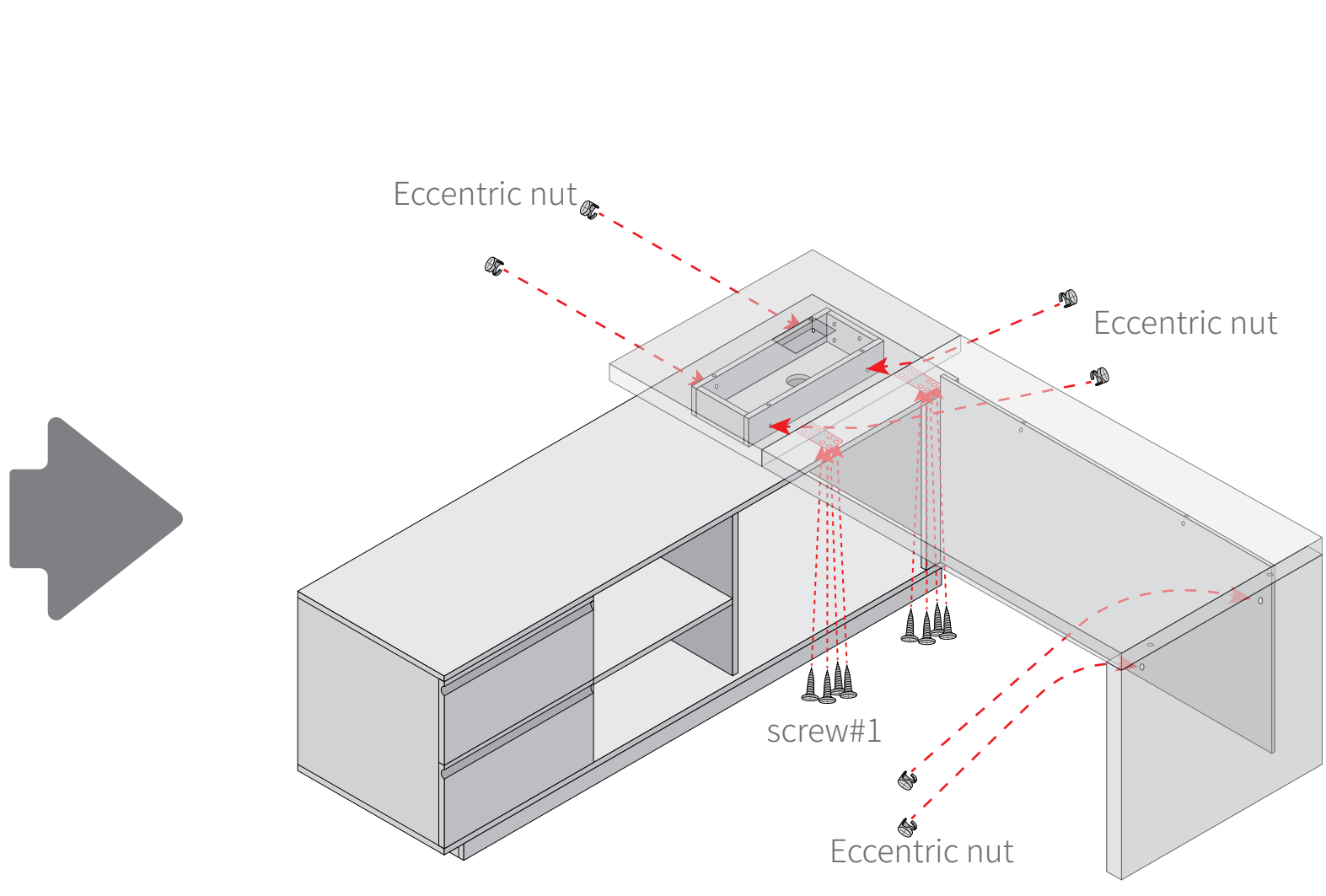
**STEP 6**  
It is fixed by Eccentric nut



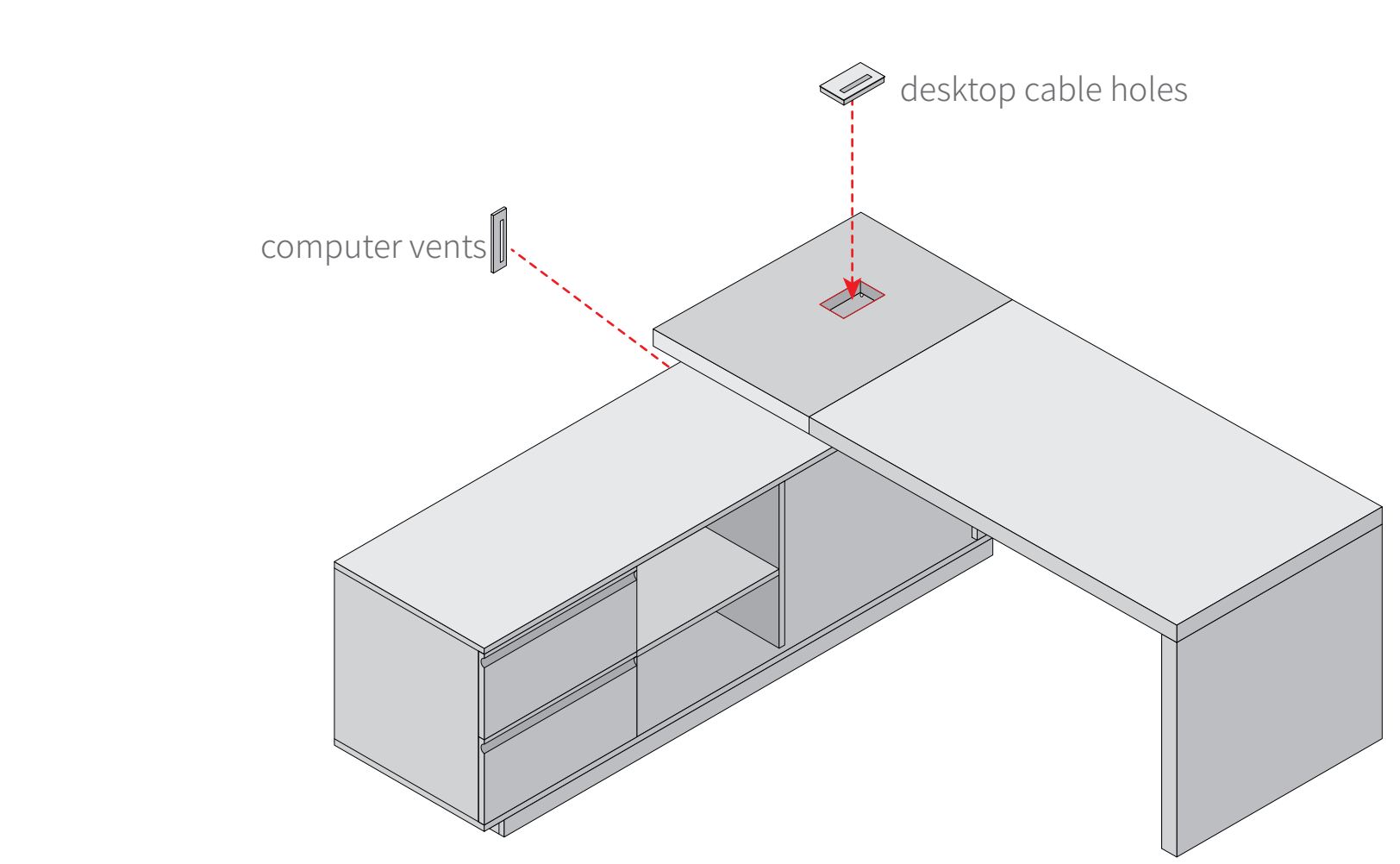
**STEP 7**  
Install 3-in-1 screws on the bottom of the two tables tops,  
Install two double-ended connectors on the bottom edge of Table board #2  
Align the two table boards with the holes and install them



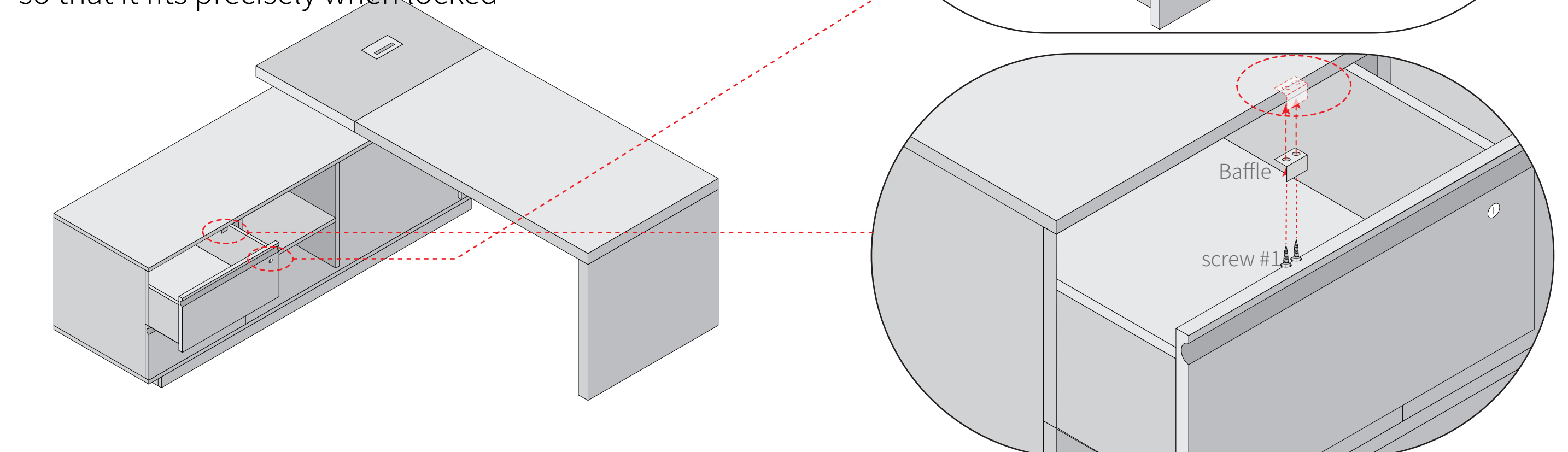
**STEP 8**  
Use eccentric nuts on the left and right sides of the support frame.  
Screws are used to secure the double-ended connector at the joint of the two tables



**STEP 9**  
Install computer vents and desktop cable holes



**STEP 10**  
Use screw#2 to install the lock core from the inside of the front panel of the drawer and the buckle from the front  
Install the "Baffle" with "screw #1", corresponding to the position of the lock core, so that it fits precisely when locked



**INSTALLATION COMPLETED**

