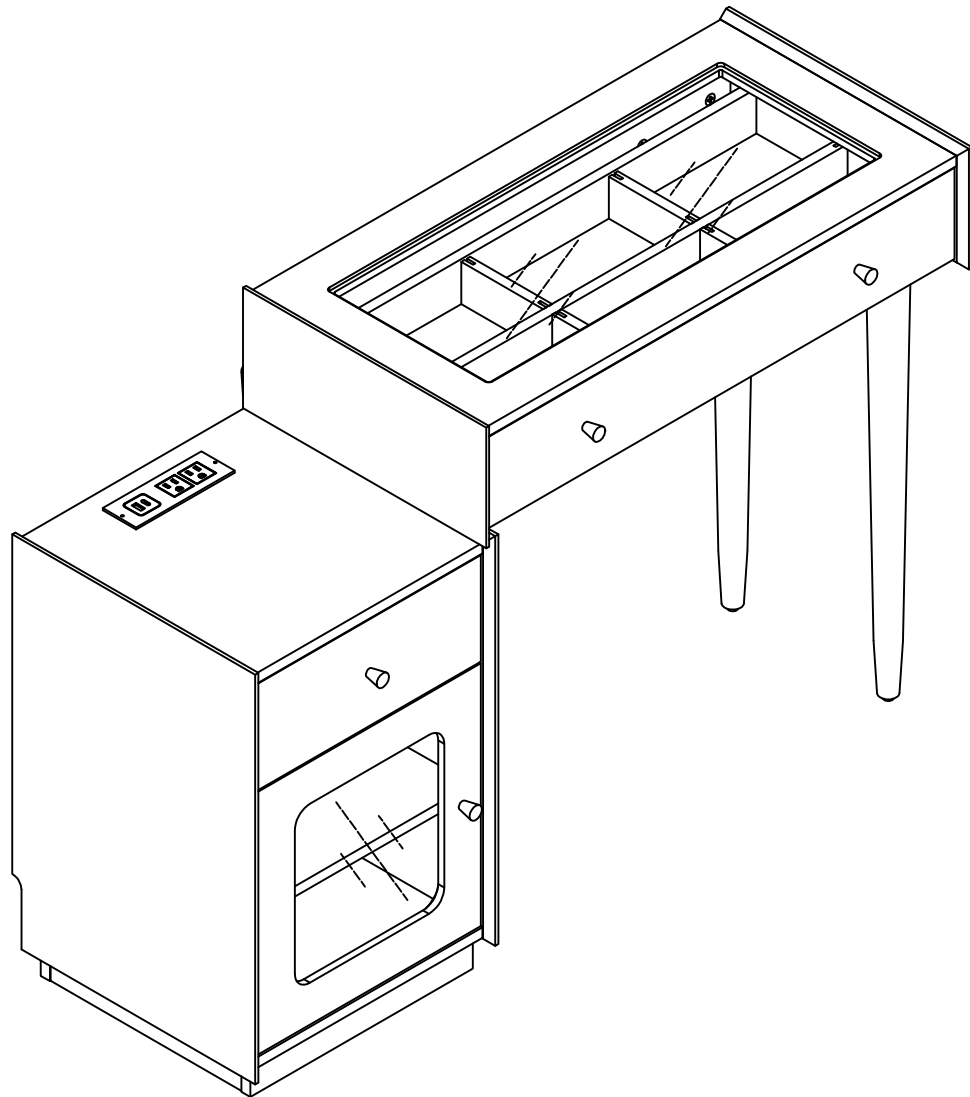
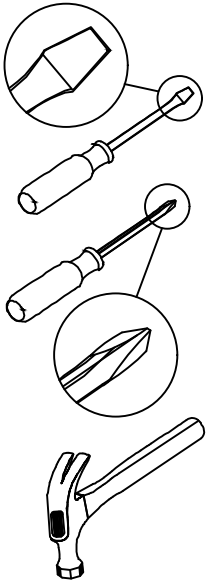

Assembly Guide

Makeup Vanity



Tips: Do not throw away packing materials until assembly is complete for small parts may come loose inside the carton during shipment. If parts are missing, please contact us. Assemble this item on a soft surface, such as carpet to protect the finish.

Before You Start



Read through each step carefully and follow the proper order

Separate and count all your parts and hardware

Give yourself enough room for the assembly process

Have the following tools: Flat Head Screwdriver, #2 Phillips Head Screwdriver and Hammer

Caution: If using a power drill or power screwdriver for screwing, please be aware of to slow down and stop when screw is tight. Failure to do so may result in stripping the screw. Assembly speed can be increased by using electric screwdriver

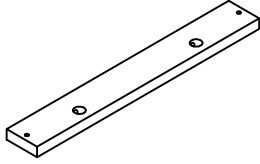
Helpful Hints

PEOPLE NEEDED FOR ASSEMBLY: 1-2

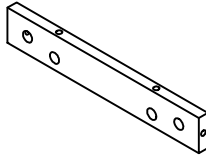
- Open your item in the area you plan to keep it to avoid excessive heavy lifting.
- Identify, sort and count the parts before attempting assembly.
- Compression dowels are lightly tapped in with a hammer.
- Slides are labeled with an R (right) and L (left) for proper placement.
- Make sure to always face the point on the top of the Cam Lock towards the outer edge.
- If there is a back panel in the package, please install it to make sure your unit is complete and sturdy.
- Please fix all the screws provided for the back panel which can enhance product stability. If it is difficult to fix it when tightening, it can be fixed with the help of a hammer and then tightened.
- Do NOT use harsh chemicals or abrasive cleaners on this item.
- Never push, pull, or drag your furniture.

PARTS LIST

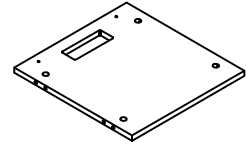
① x2



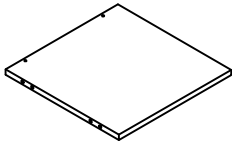
② x2



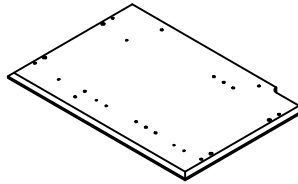
③ x1



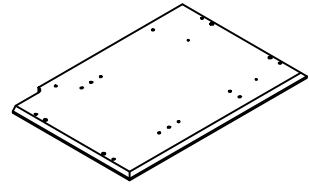
④ x1



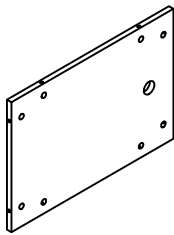
⑤ x1



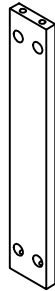
⑥ x1



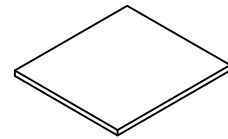
⑦ x1



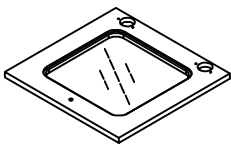
⑧ x1



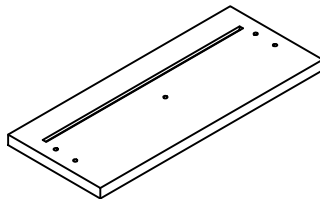
⑨ x1



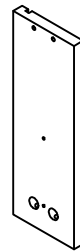
⑩ x1



⑪ x1



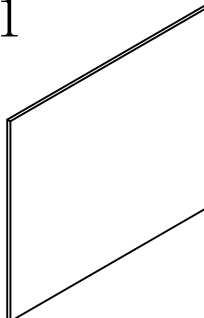
⑫ x1



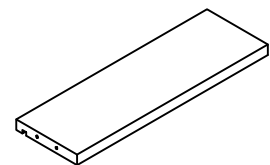
⑬ x1



⑭ x1

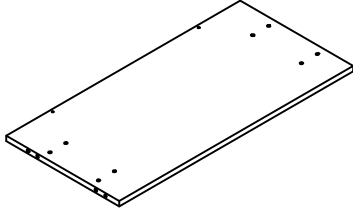


⑮ x1

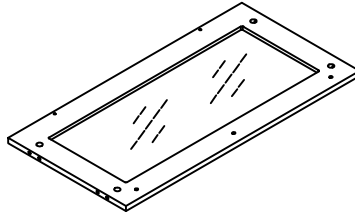


PARTS LIST

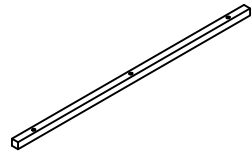
①⑥ x1



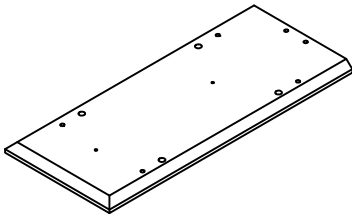
①⑦ x1



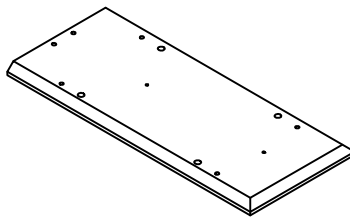
①⑧ x1



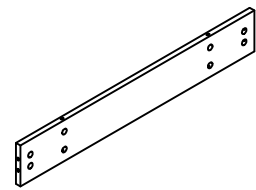
①⑨ x1



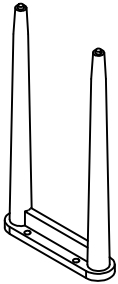
②⑦ x1



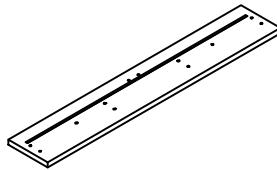
②① x1



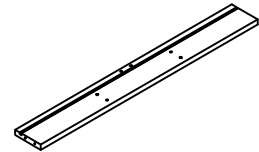
②② x1



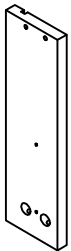
②③ x1



②④ x1



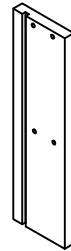
②⑤ x1



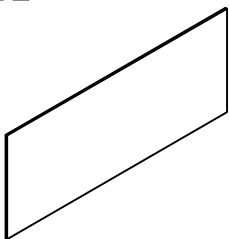
②⑥ x1



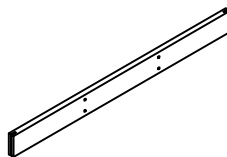
②⑦ x1



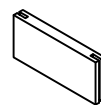
②⑧ x1



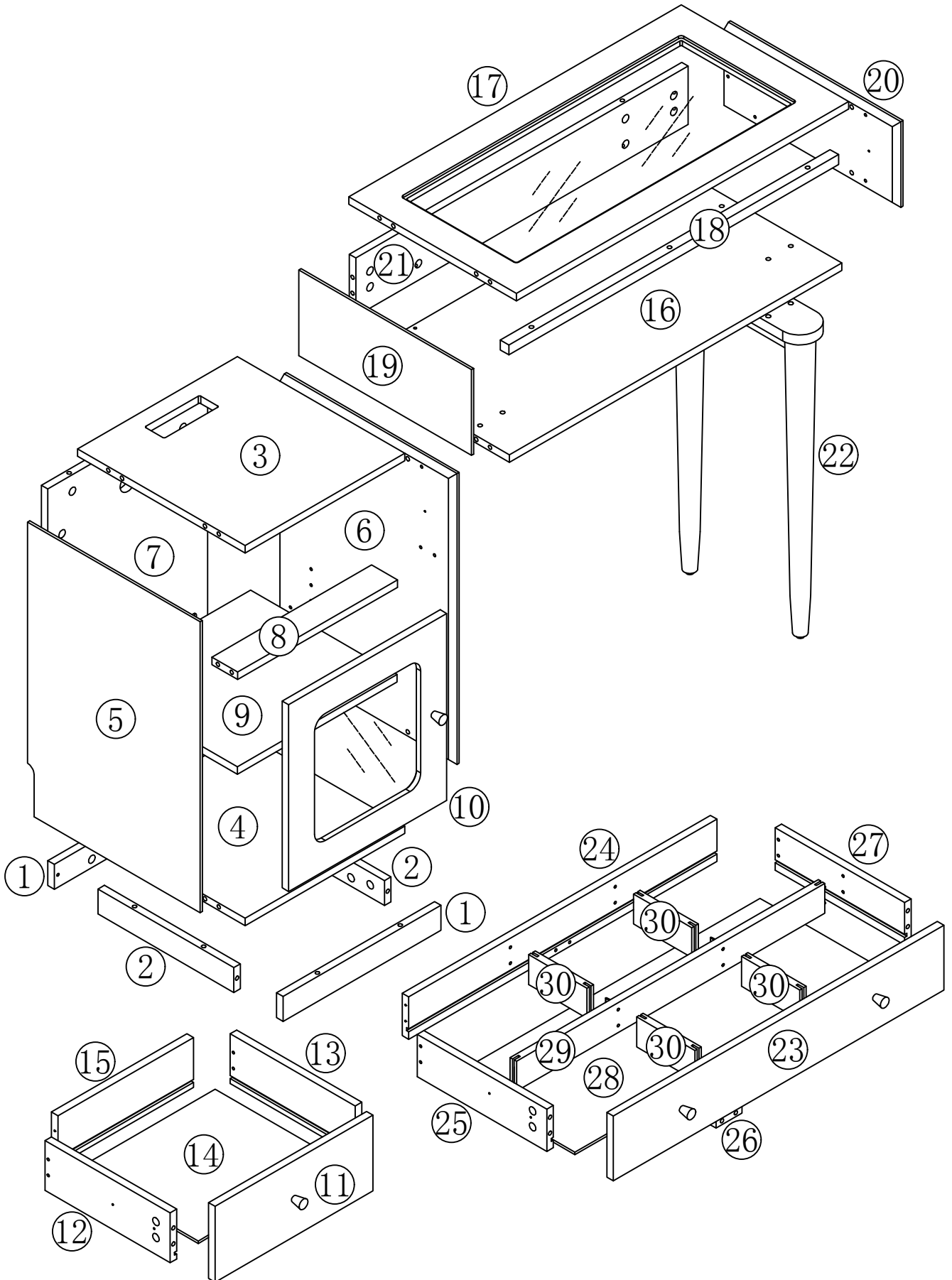
②⑨ x1



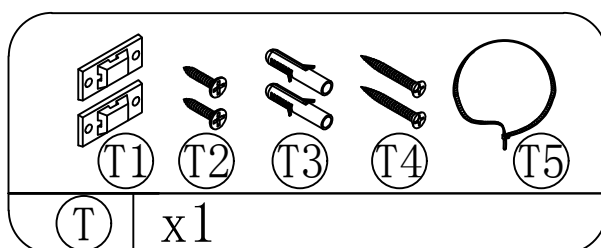
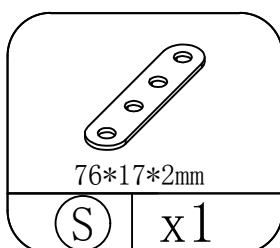
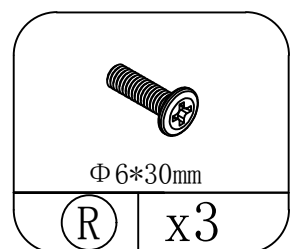
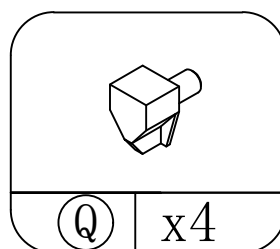
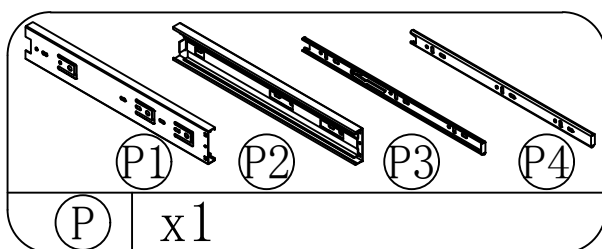
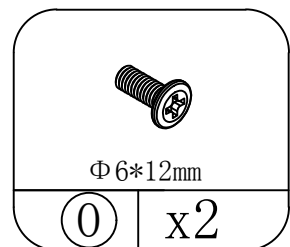
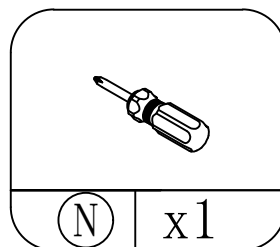
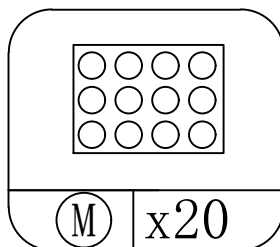
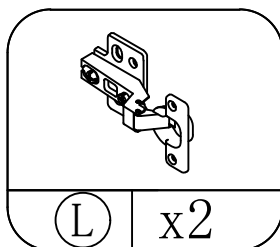
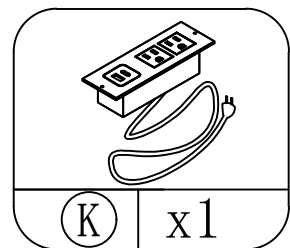
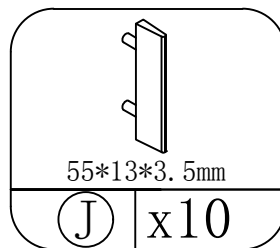
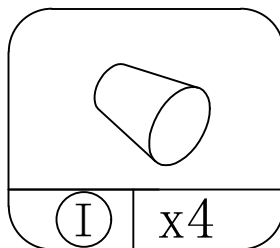
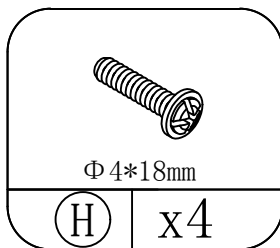
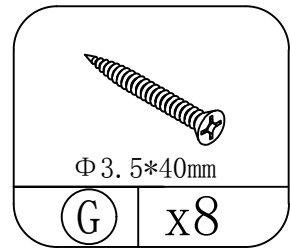
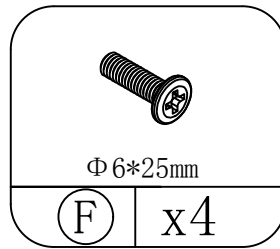
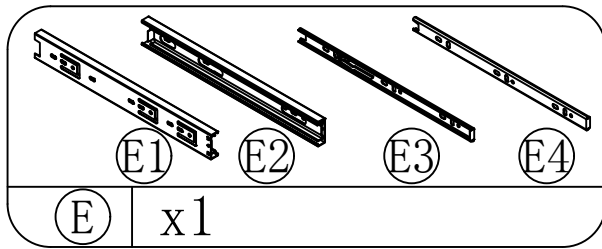
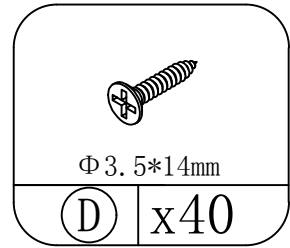
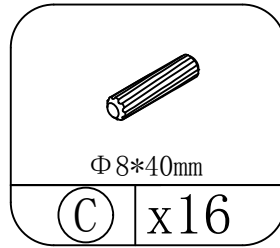
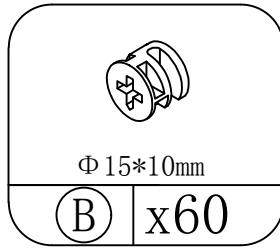
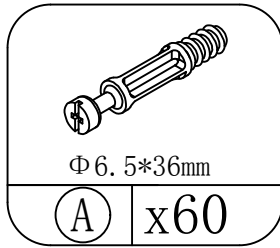
③⑦ x4



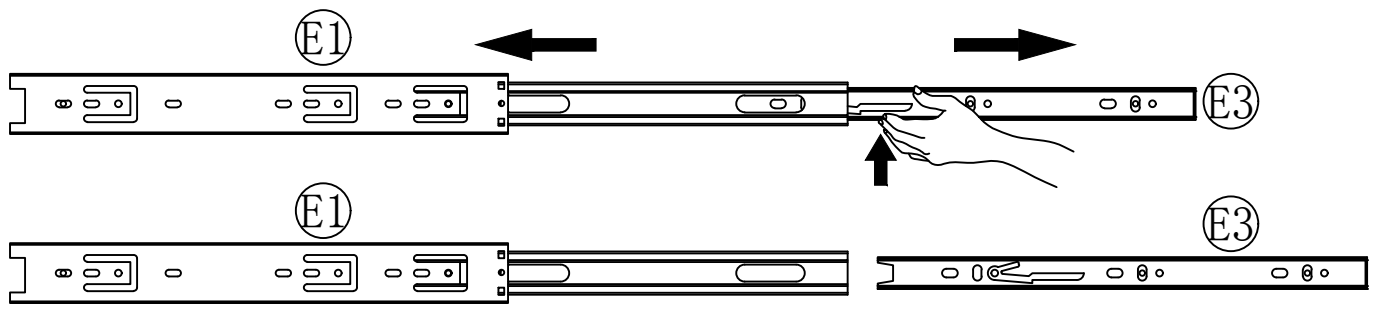
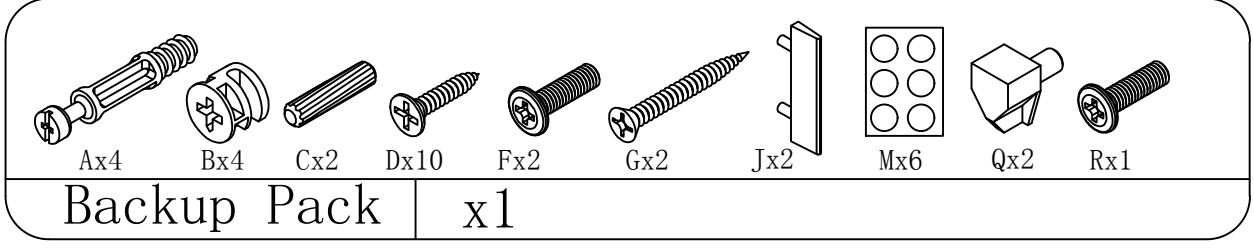
PARTS LIST



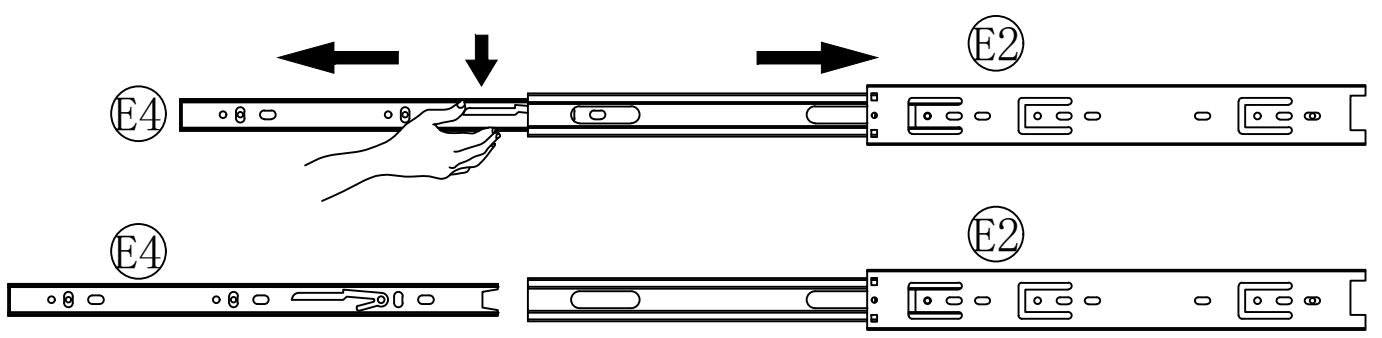
PARTS LIST



PARTS LIST

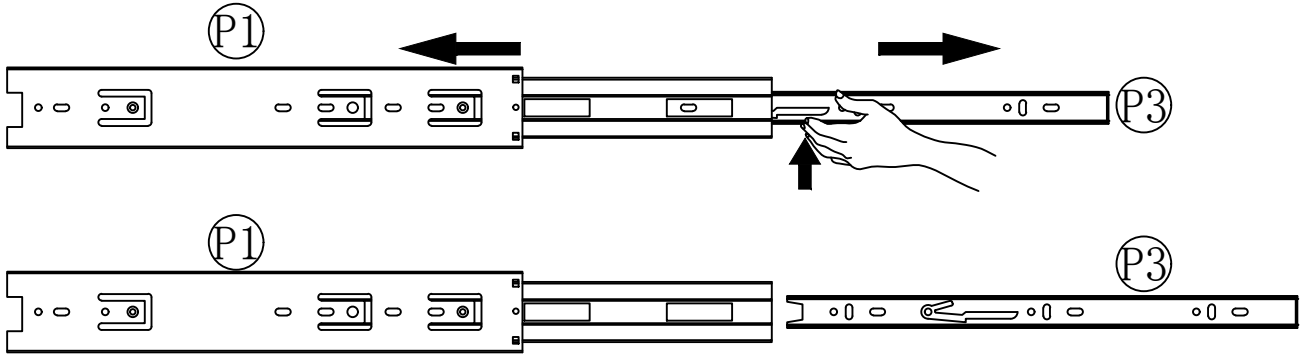


left

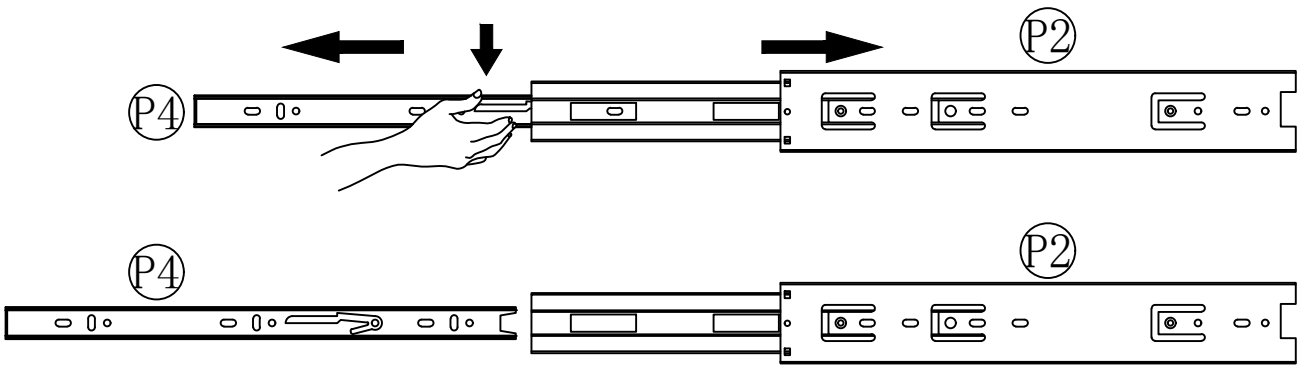


right

PARTS LIST

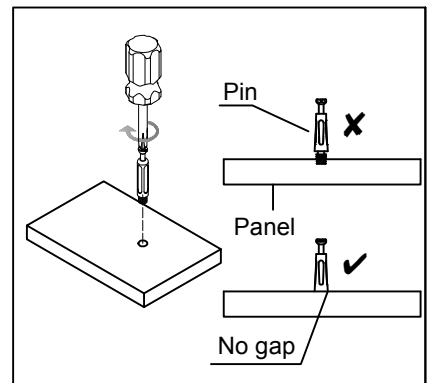
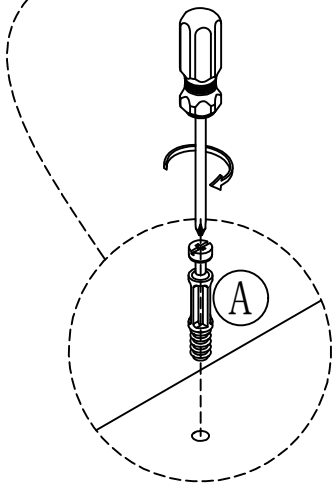
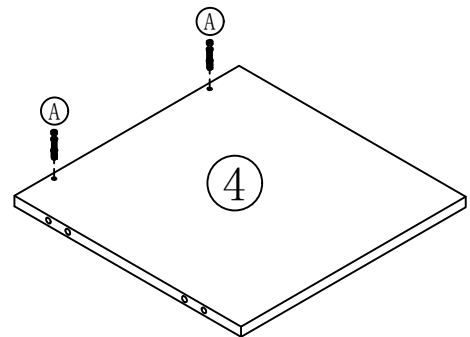
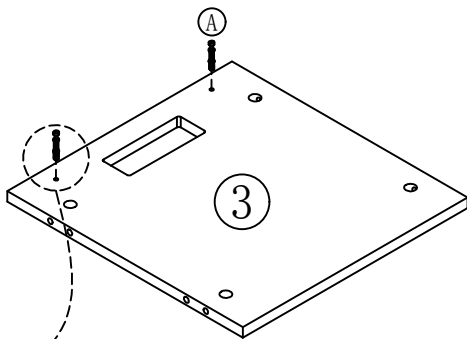
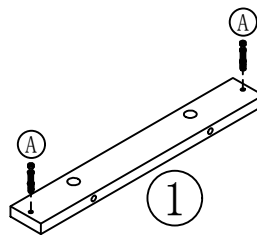
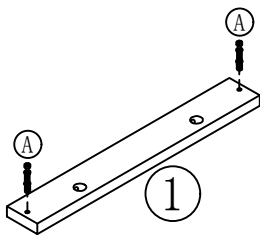
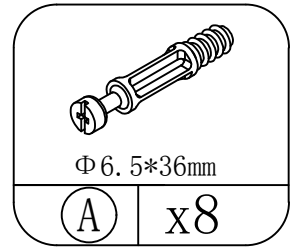


left

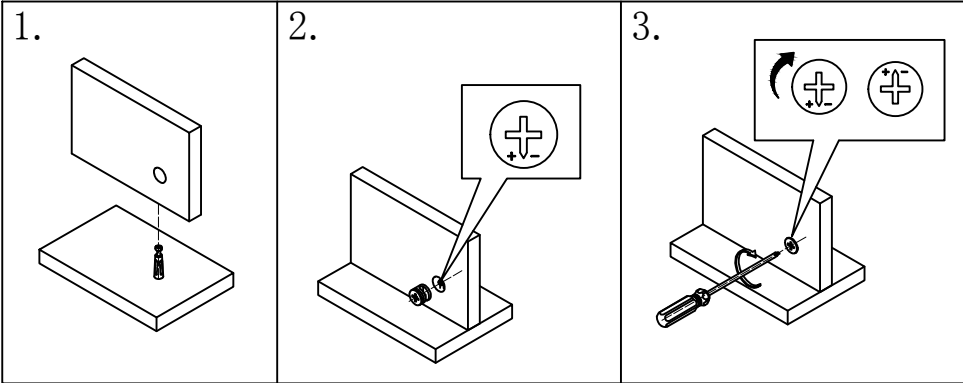
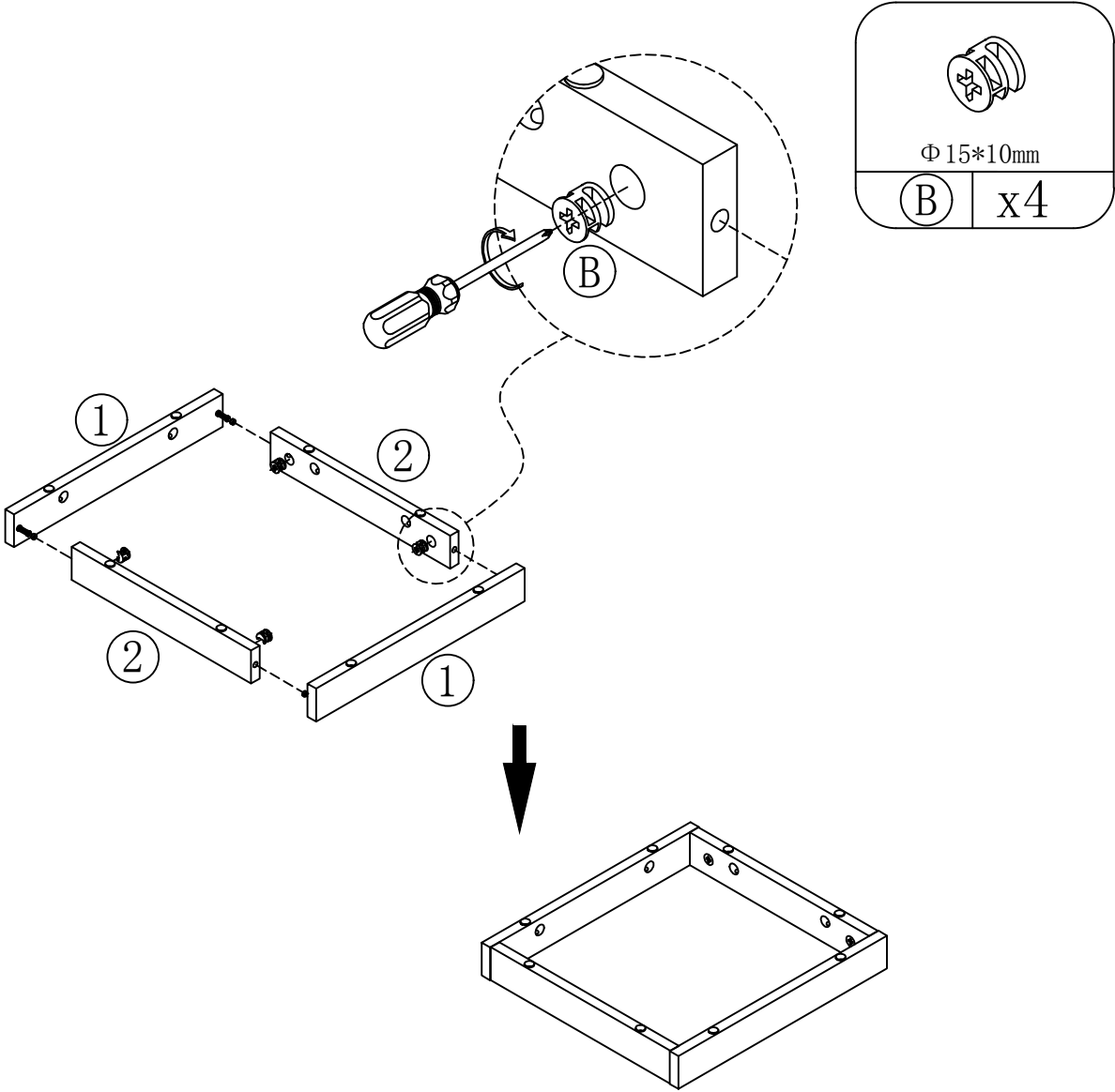


right

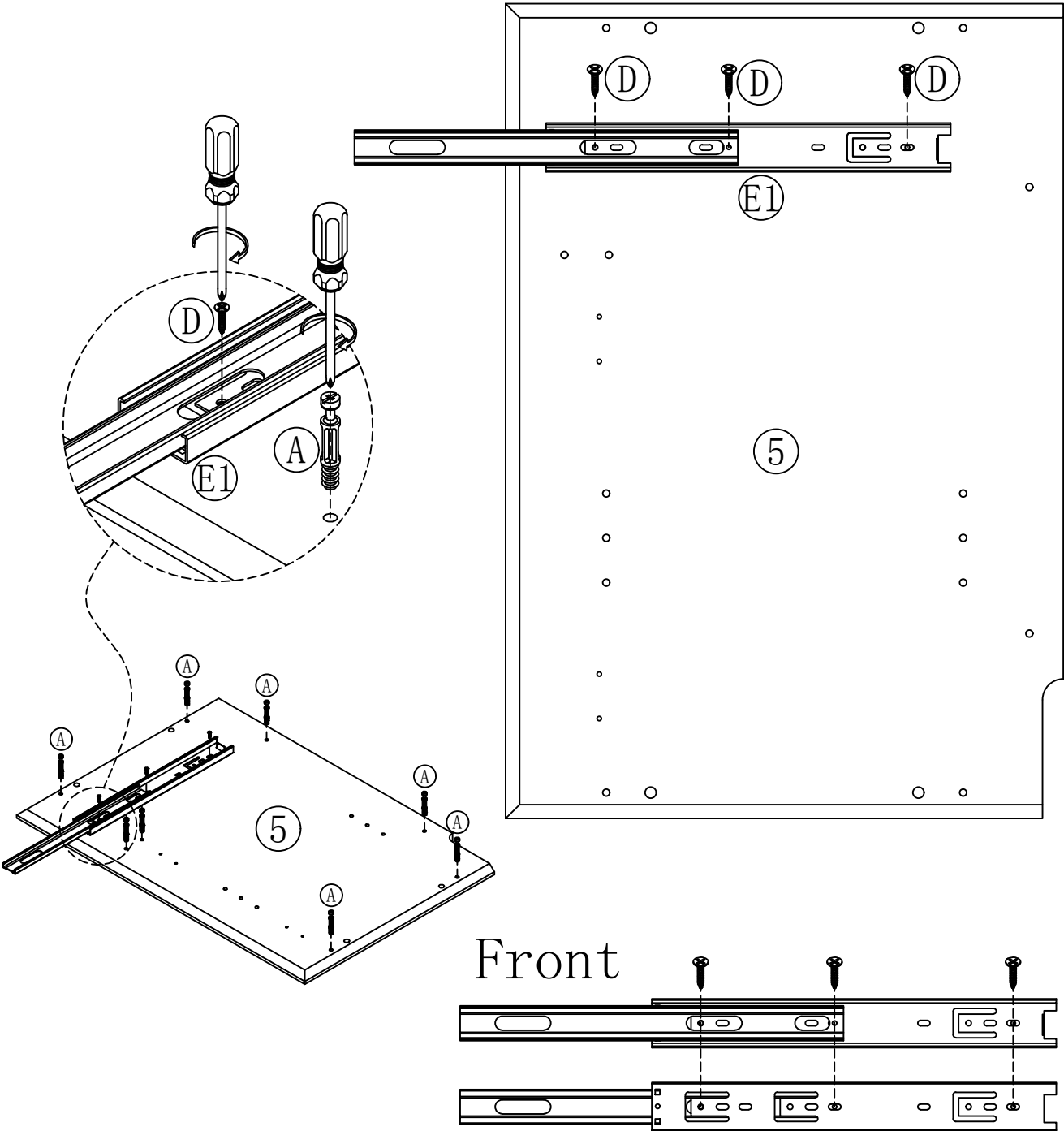
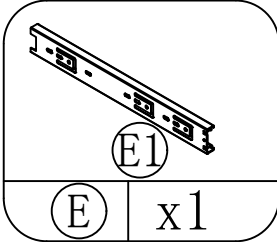
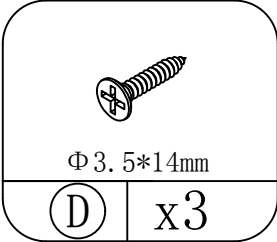
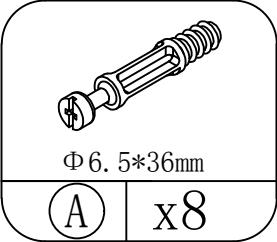
Step 1



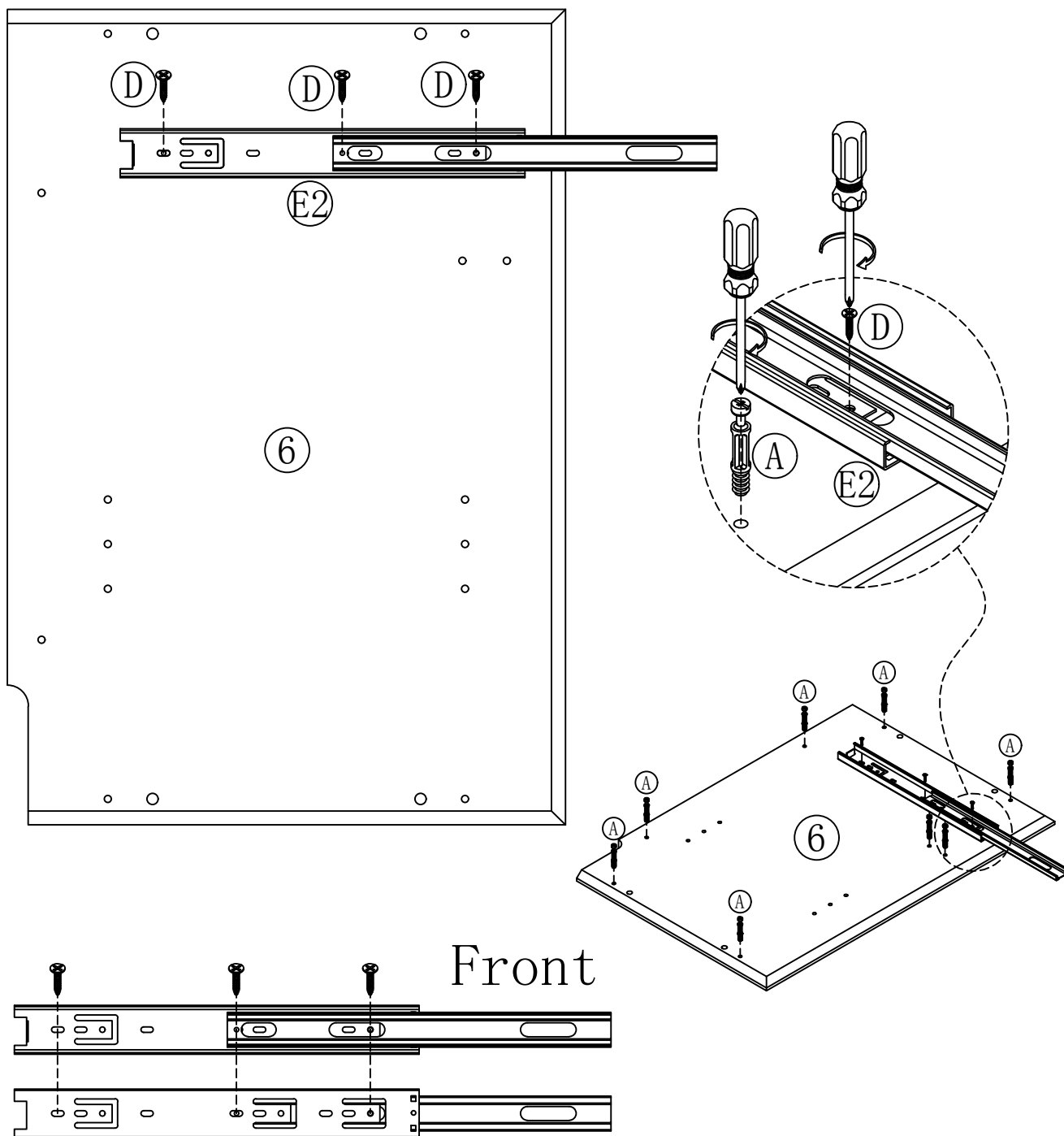
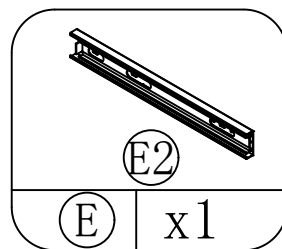
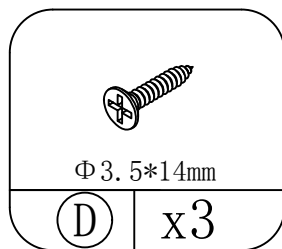
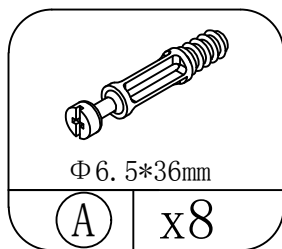
Step 2



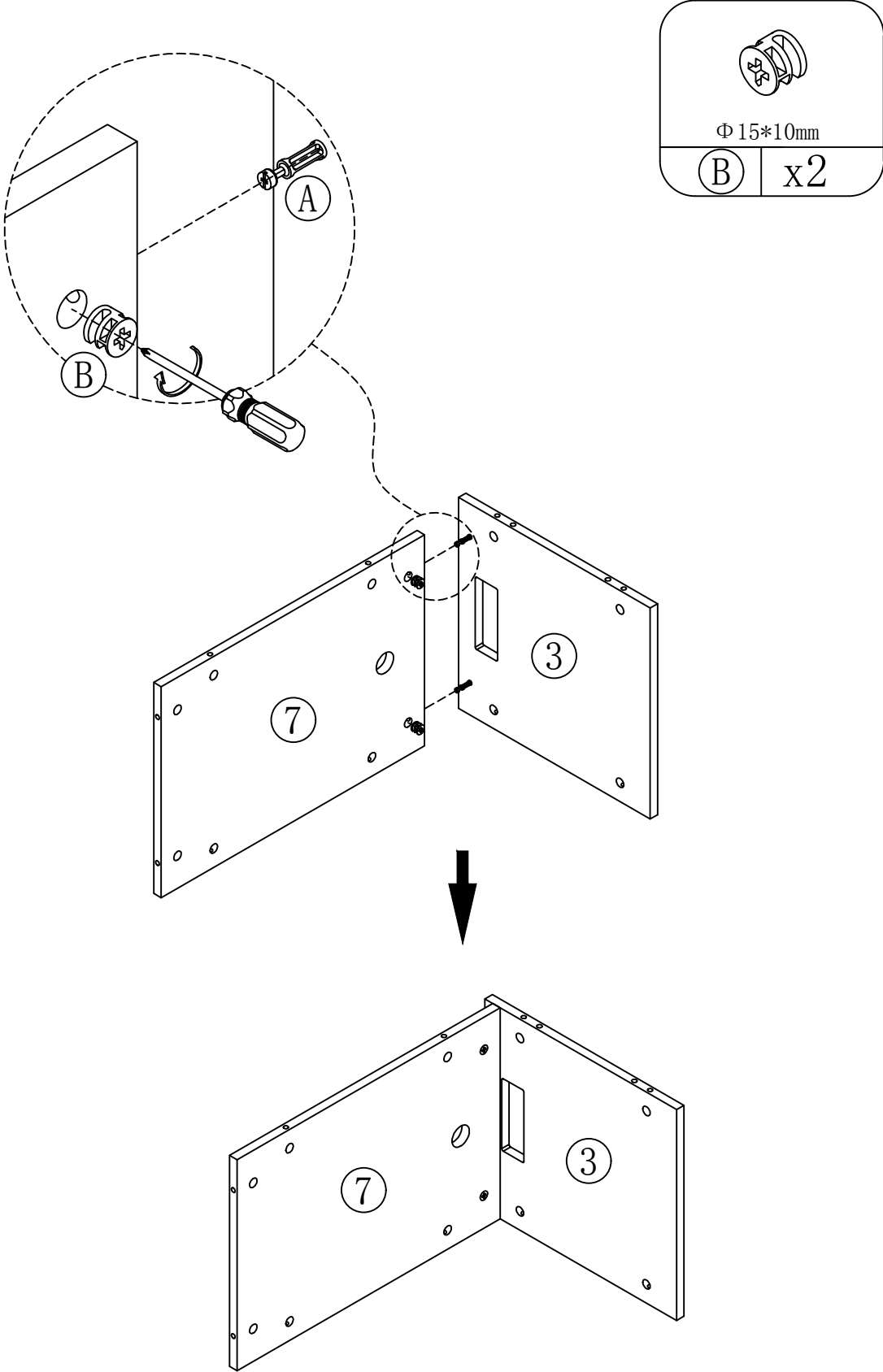
Step 3



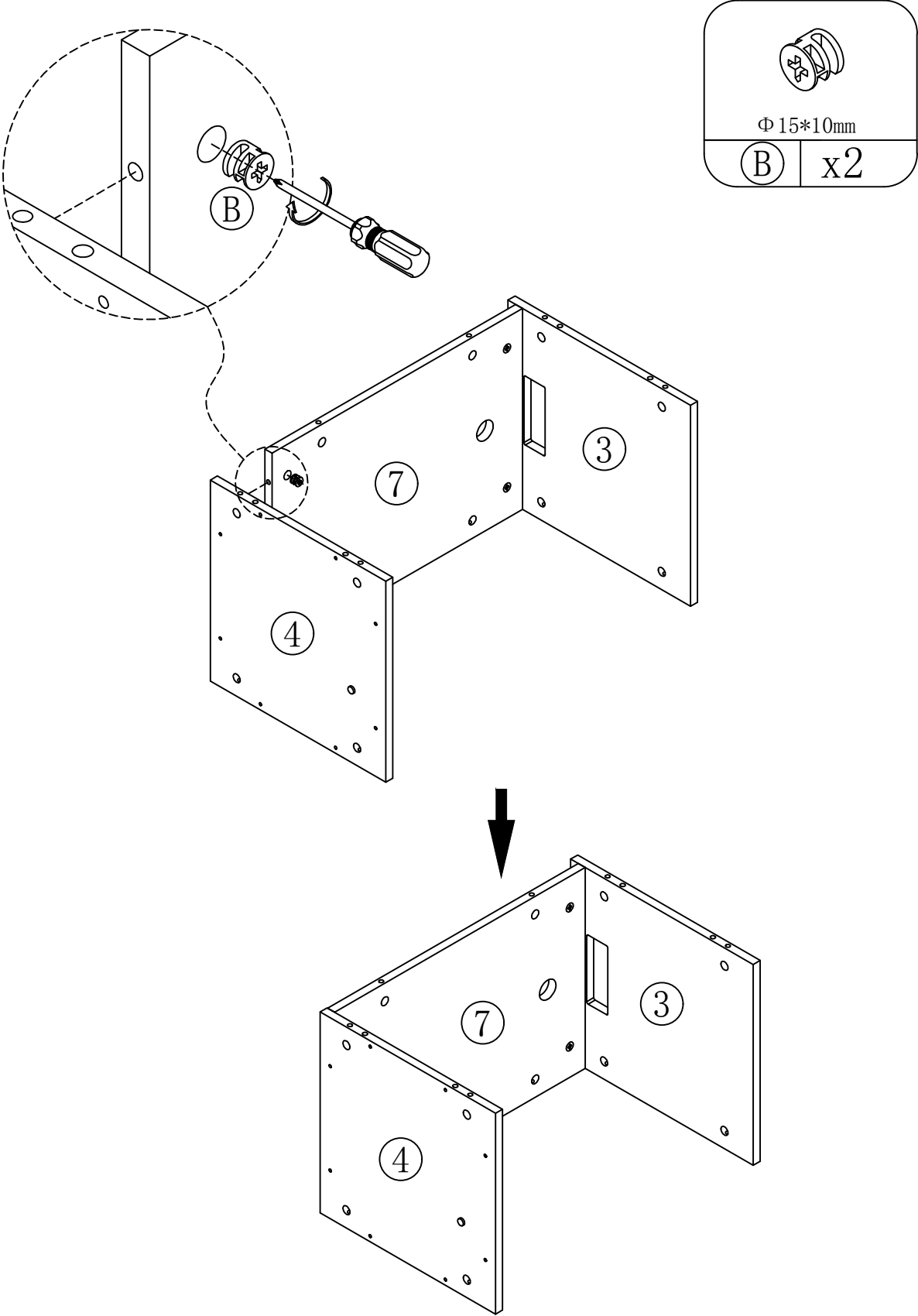
Step 4



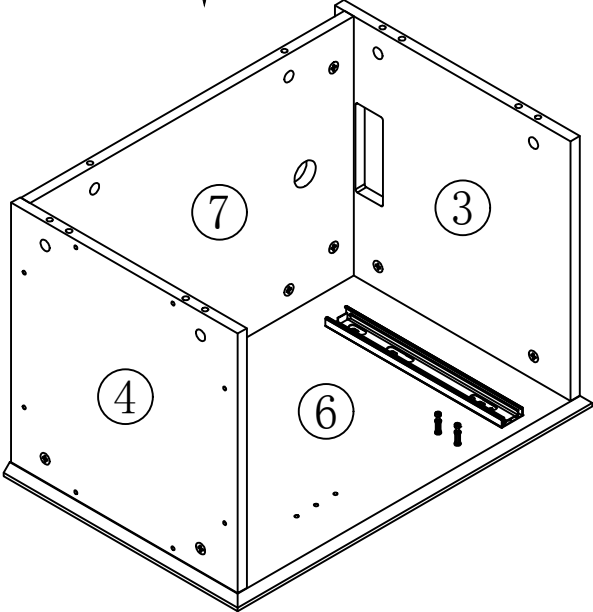
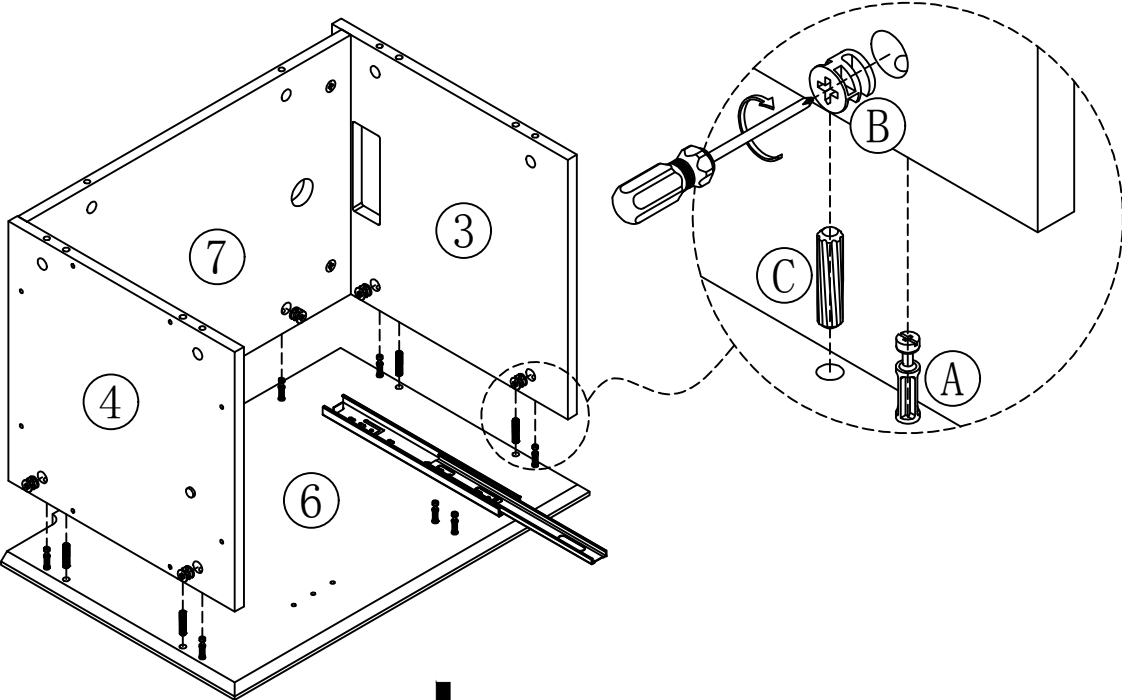
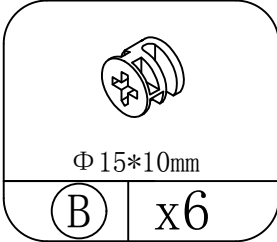
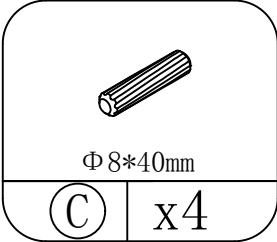
Step 5



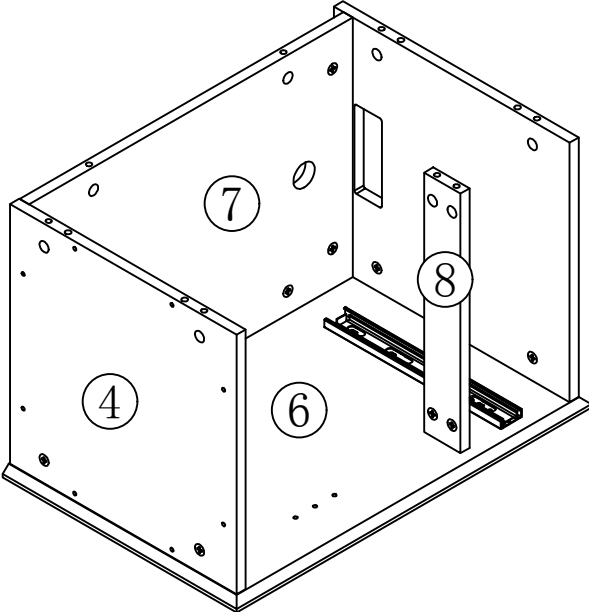
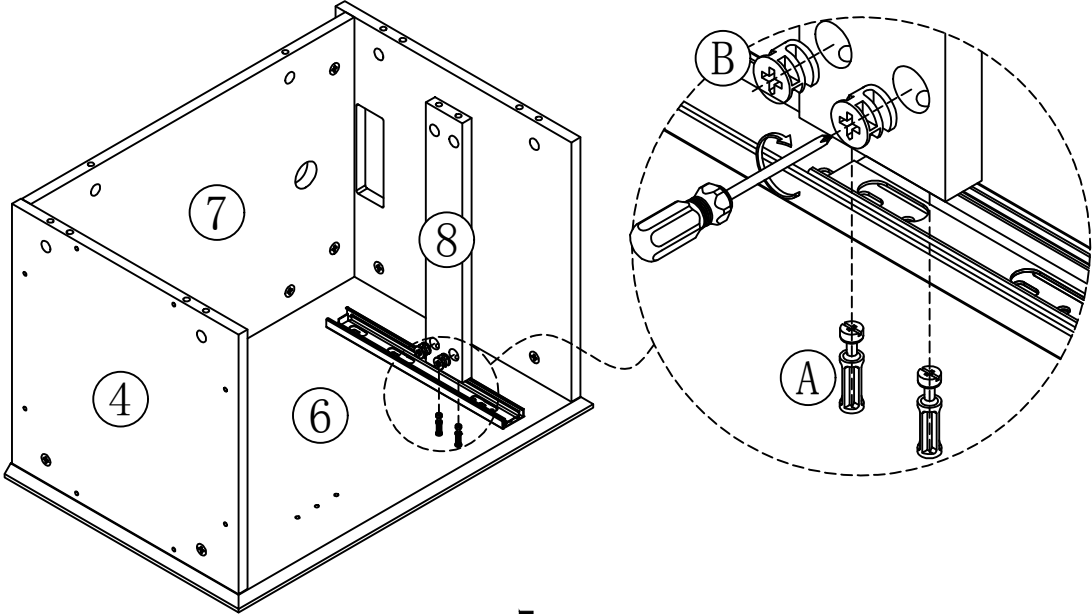
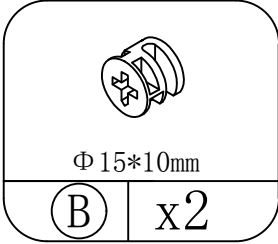
Step 6




Step 7



Step 8




Step 9



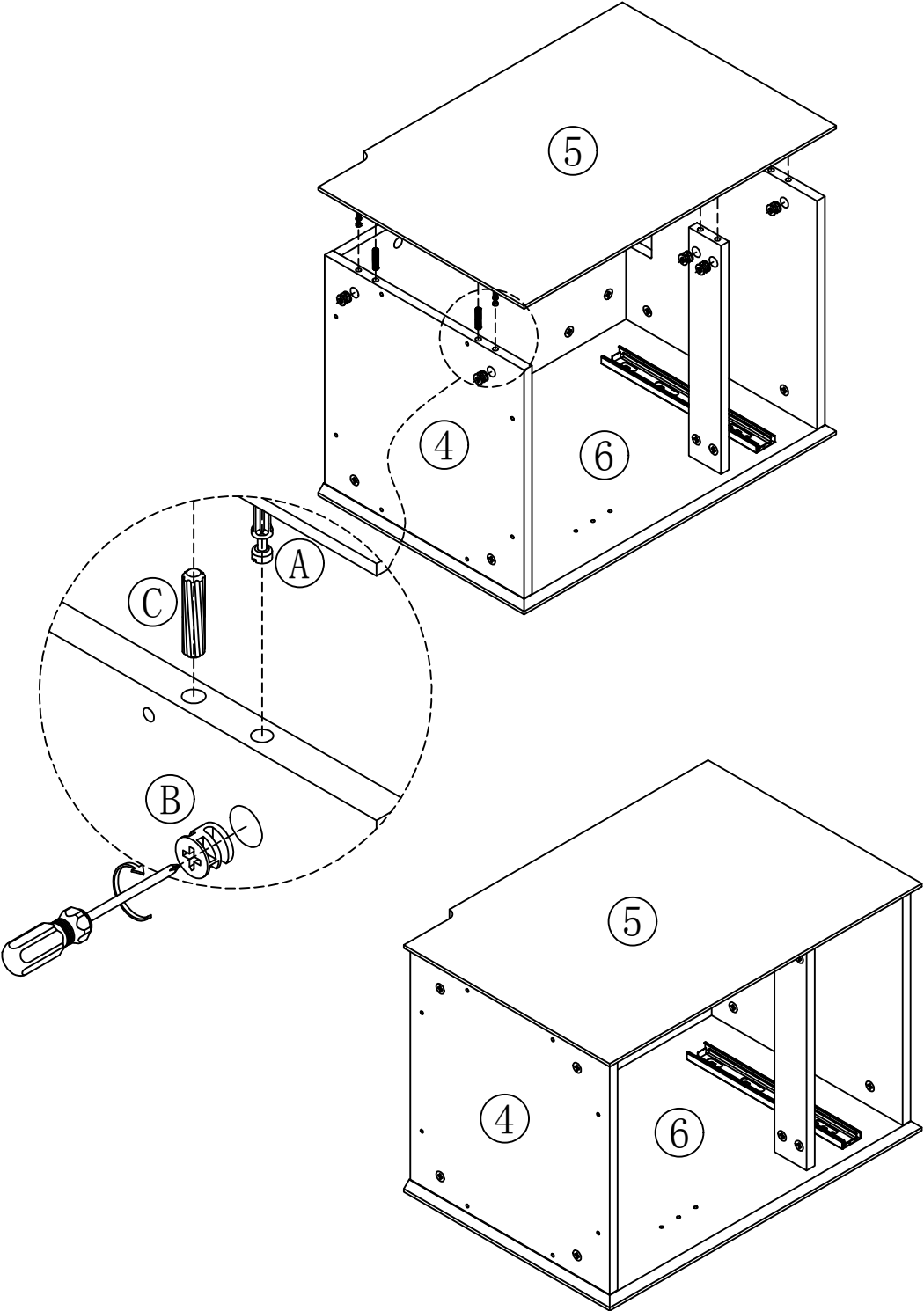
$\Phi 8*40\text{mm}$

(C)	x4
-----	----

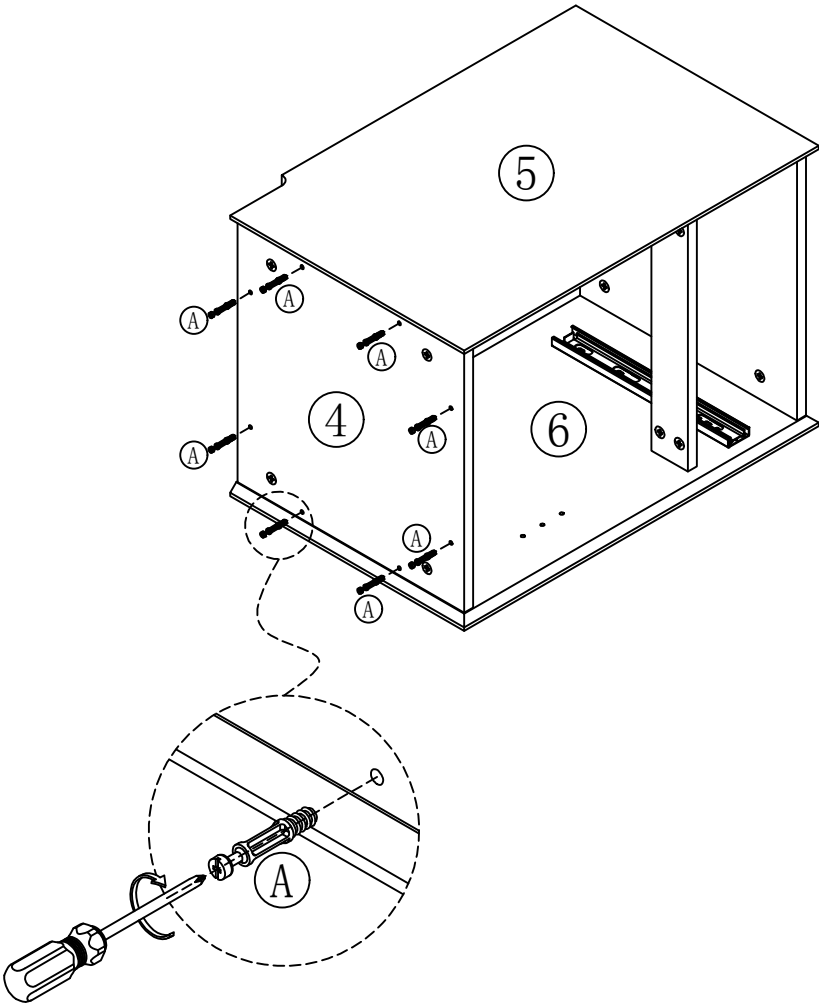
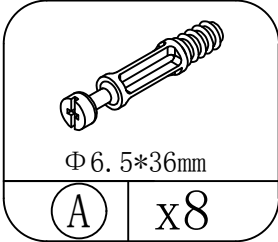


$\Phi 15*10\text{mm}$

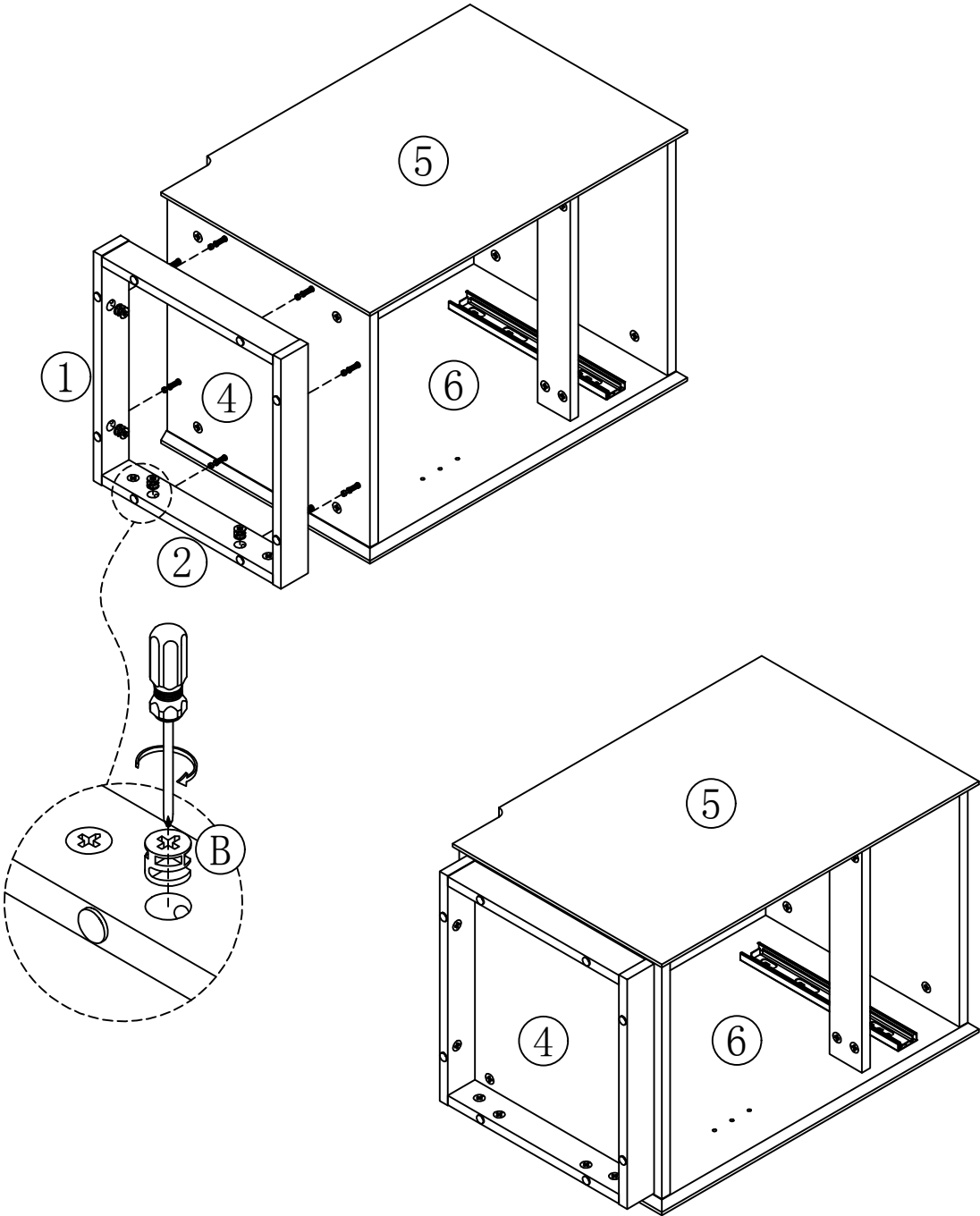
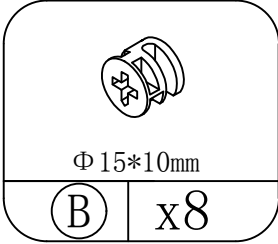
(B)	x8
-----	----



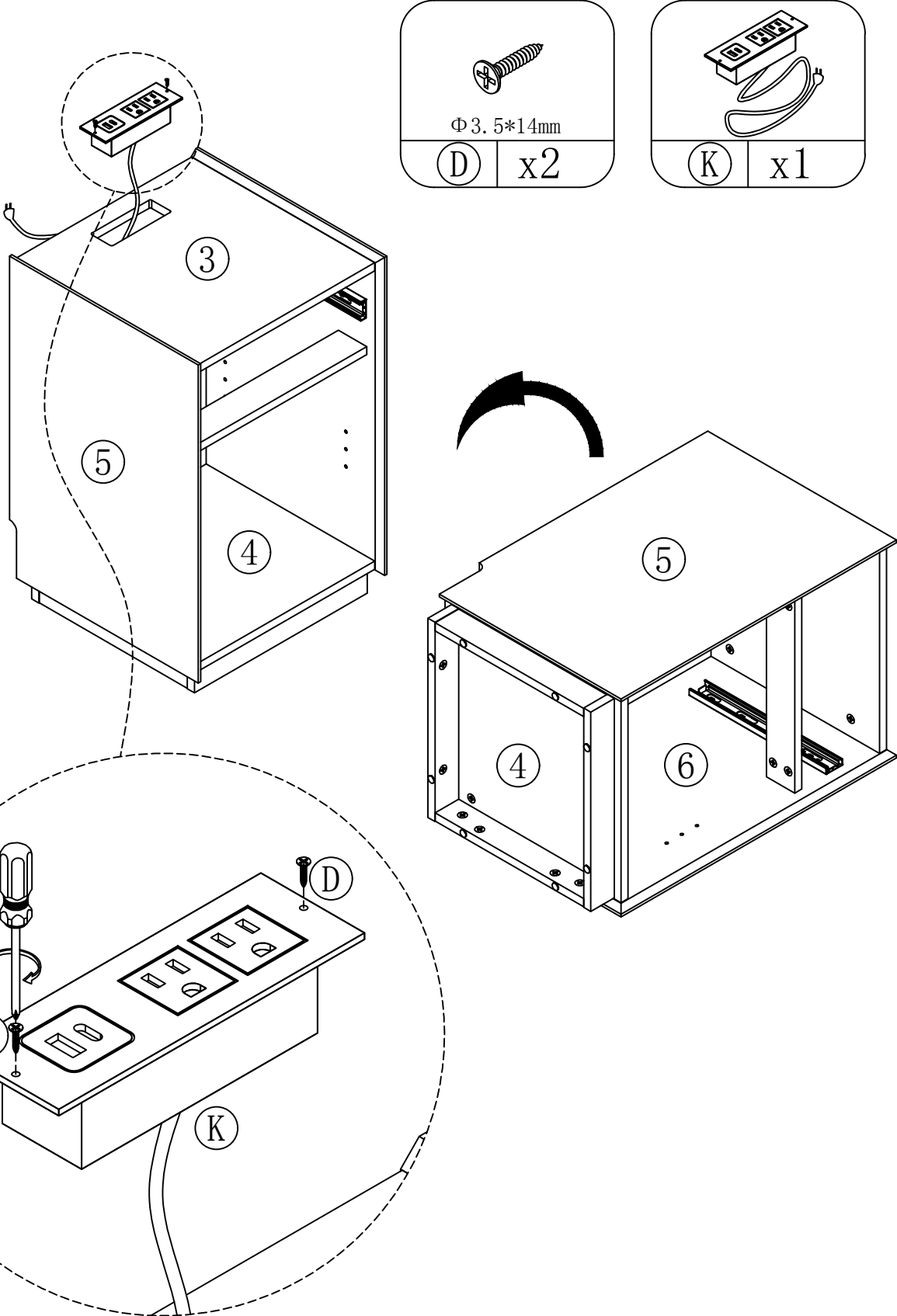
Step 10



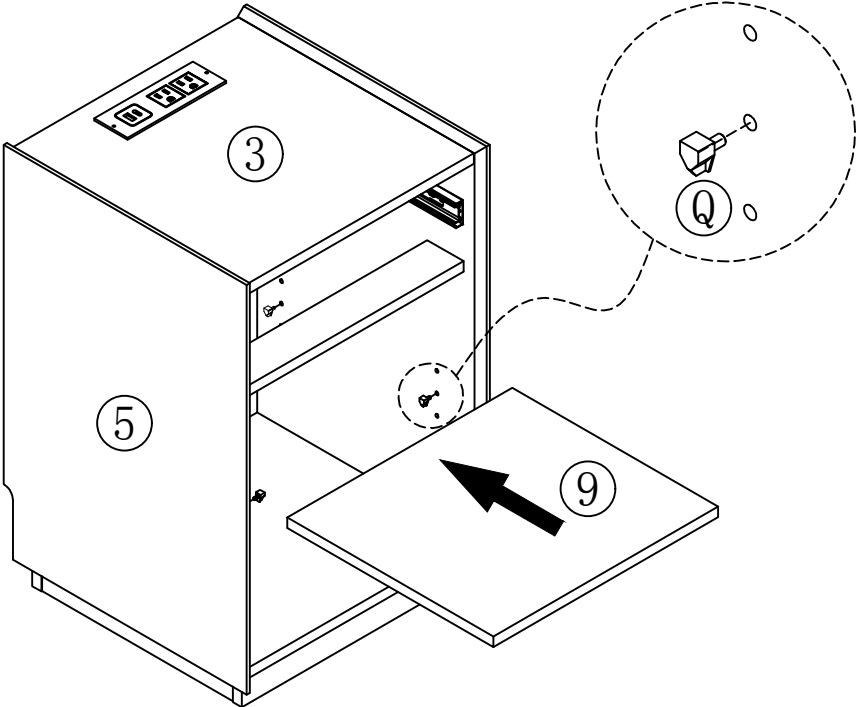
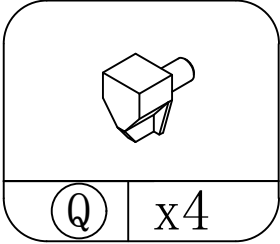
Step 11



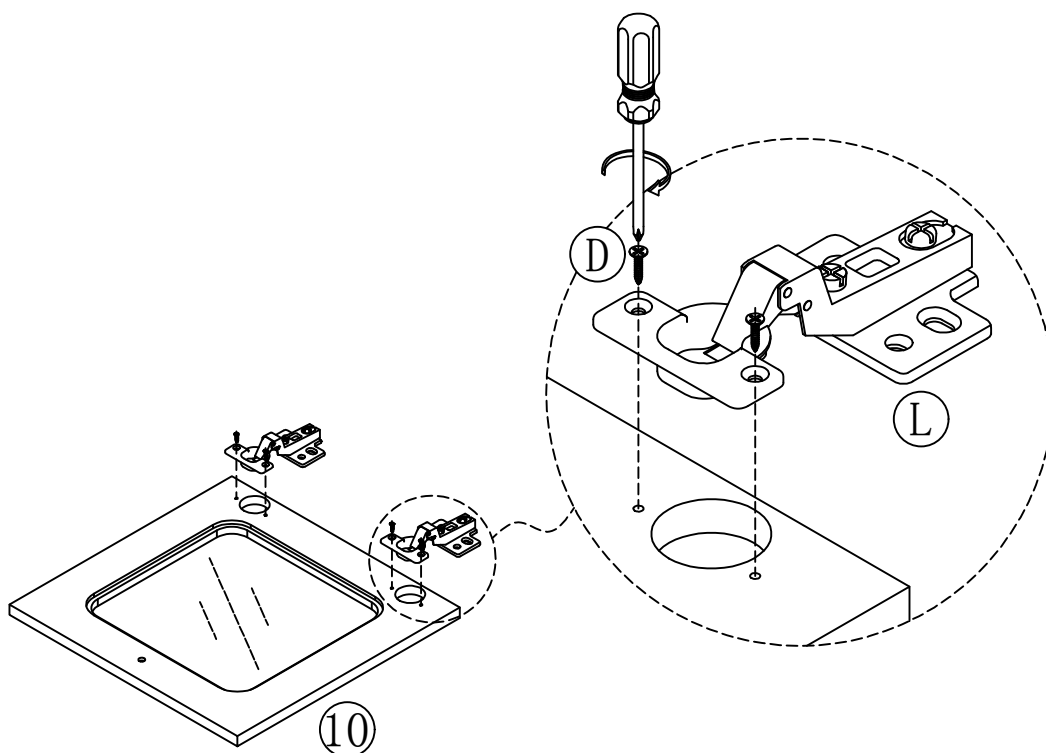
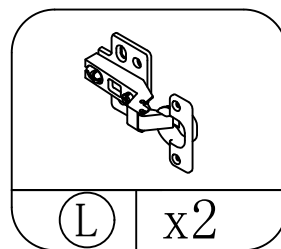
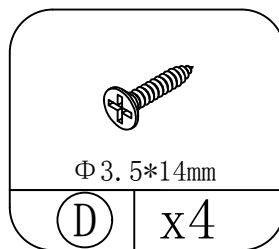
Step 12



Step 13

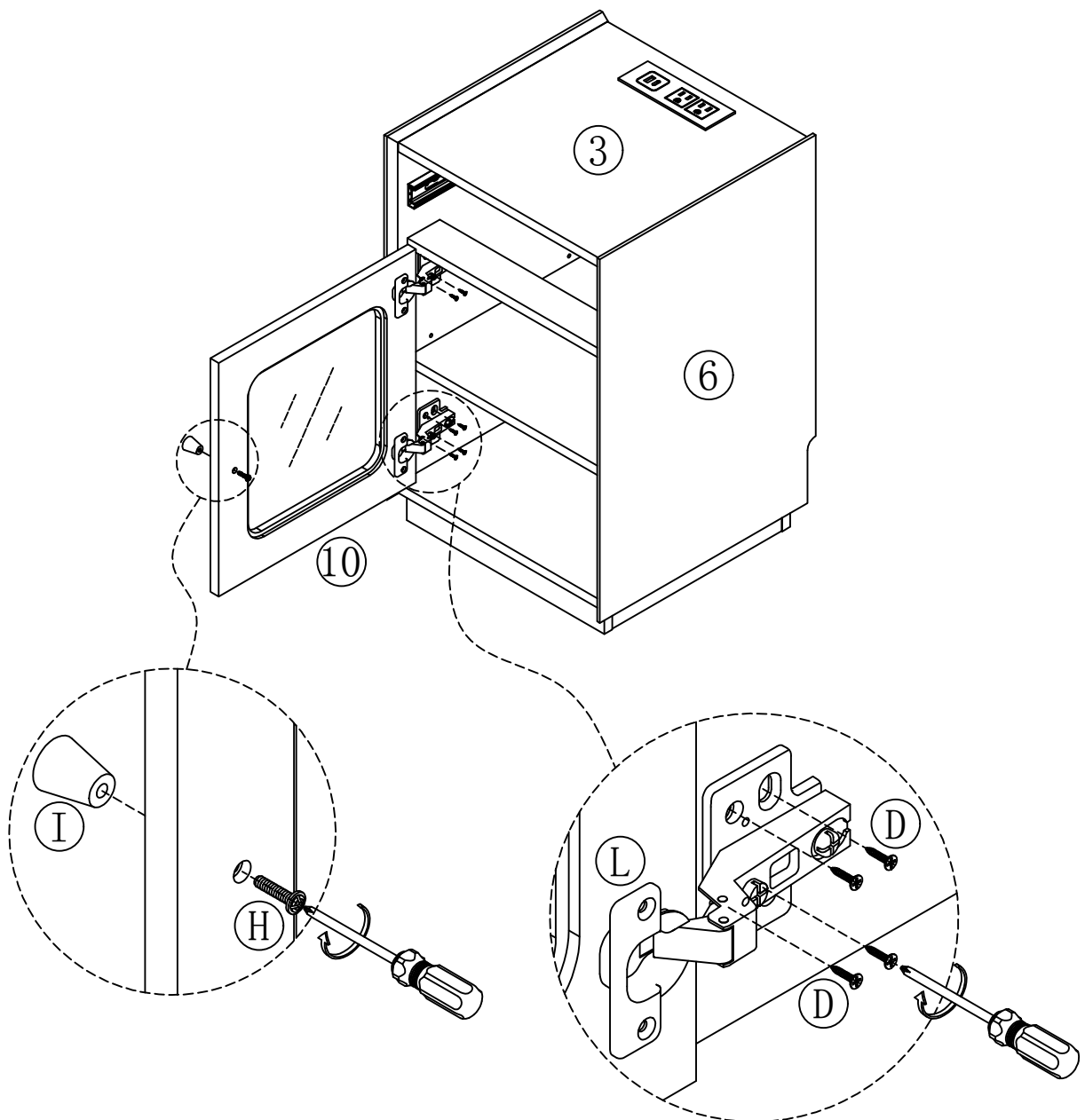
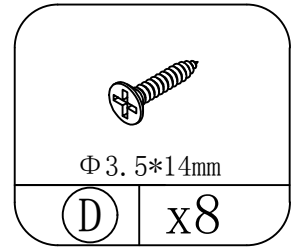
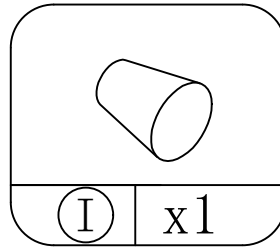
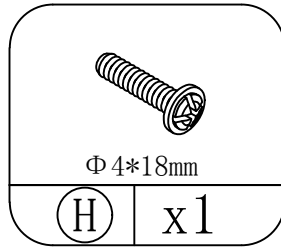


Step 14

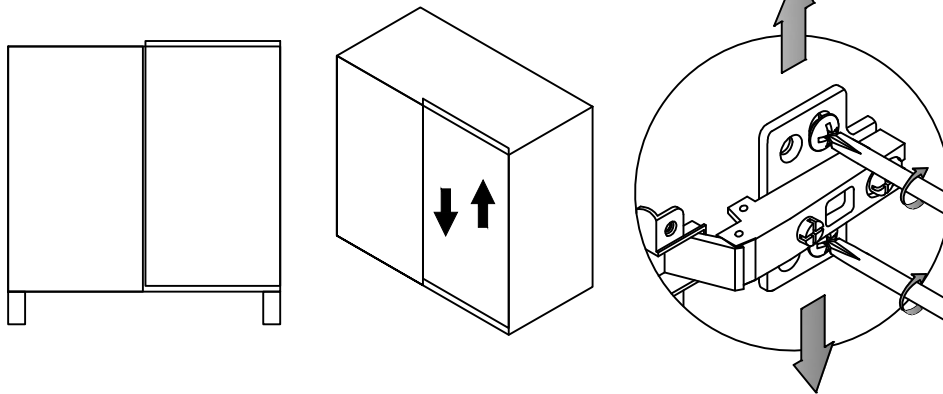
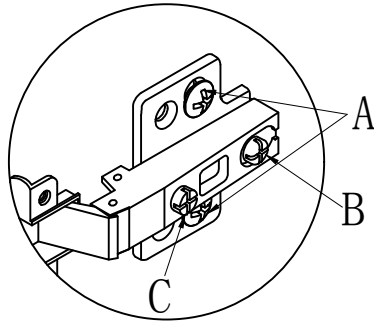


Note: Before installing the door hinges, please carefully read the installation precautions on P50 first, and then go on with the installation.

Step 15

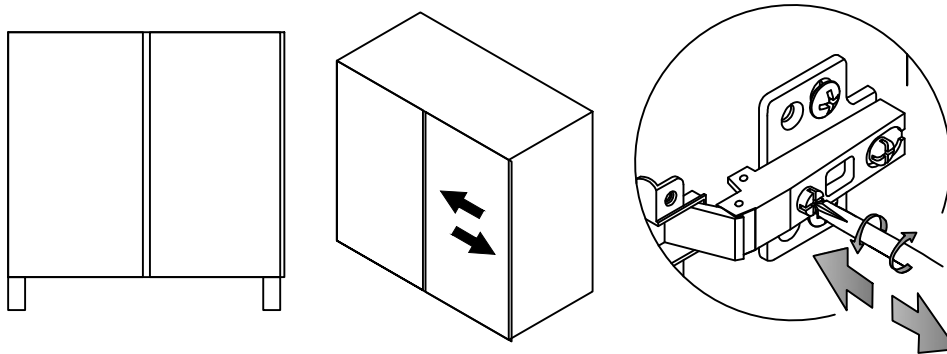


Step 16



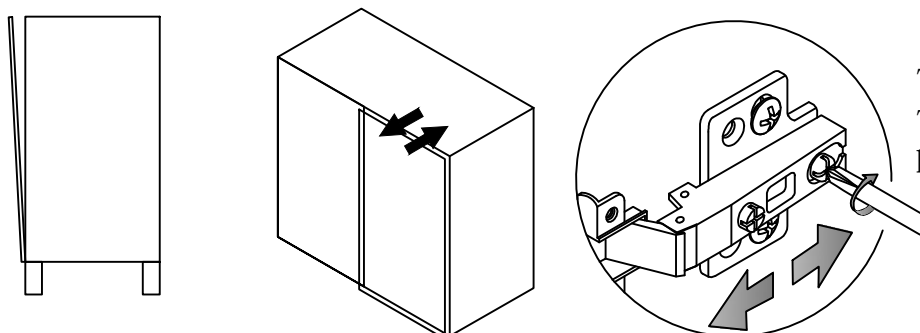
To adjust the vertical height.

Loosen the four screws labeled 'A' on both hinges, Two of these screws are usually in slotted holes, allowing for adjustment up or down by a few mm. After making the adjustment, tighten the screws back into place.



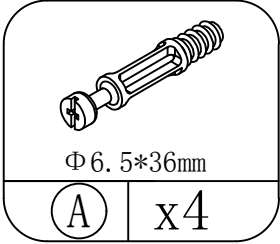
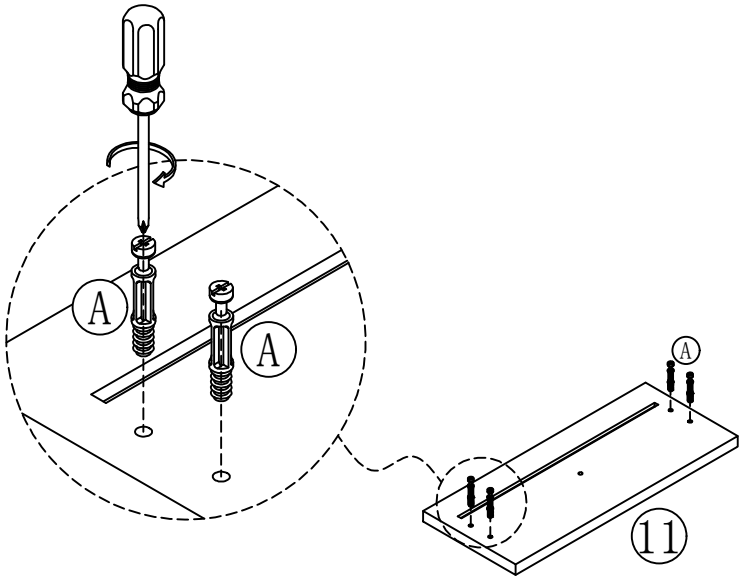
To adjust depth.

Loosen screw 'B' and adjust the door. If the door cannot be adjusted, loosen screw 'C' and try adjusting again. Once adjusted, tighten screws 'B' and 'C'.

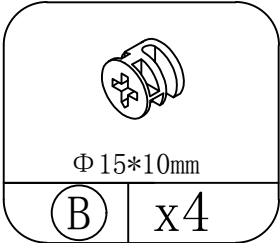
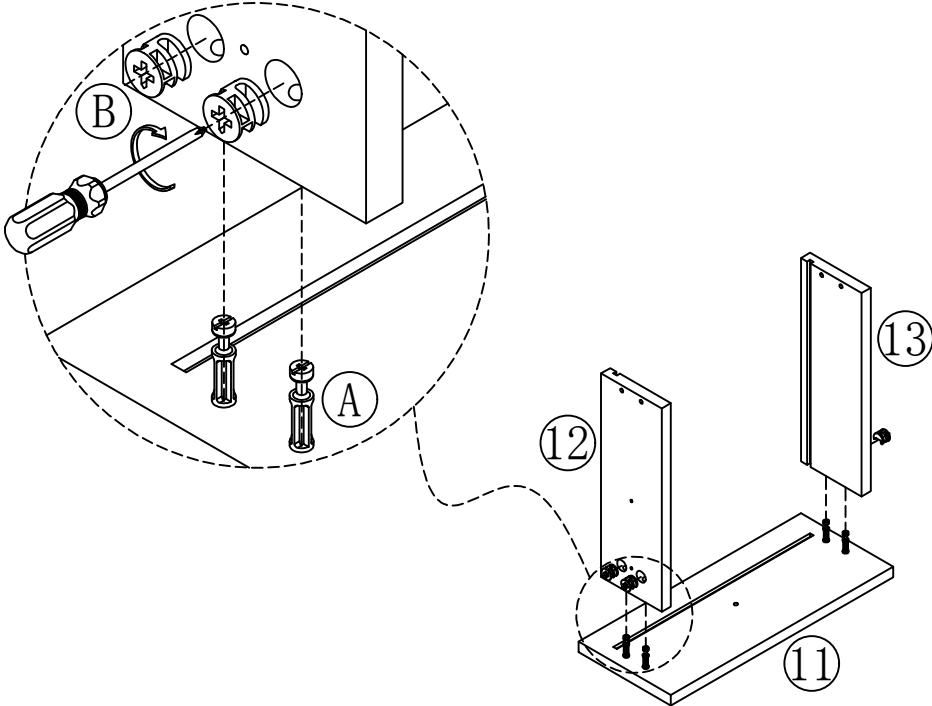


To adjust side ways. Turn screw 'C' on both hinges of each door.

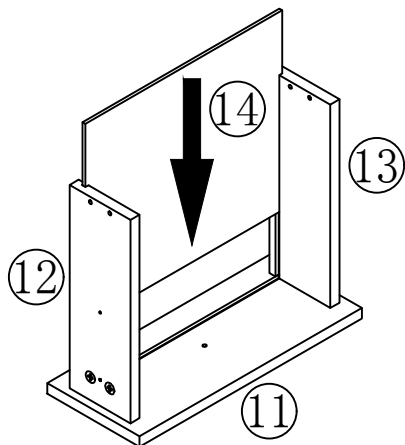
Step 17



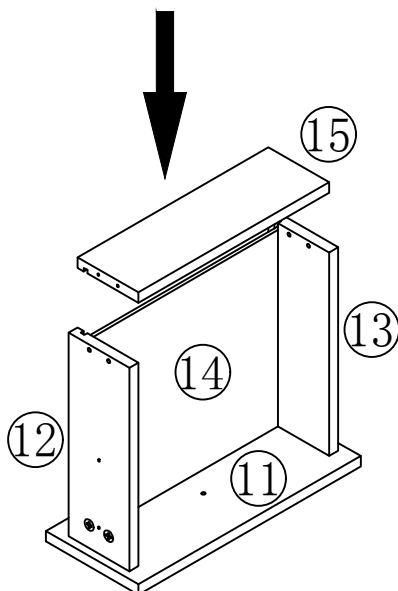
Step 18



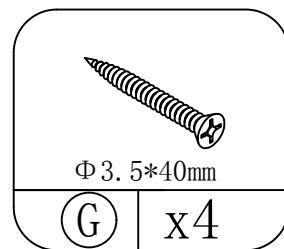
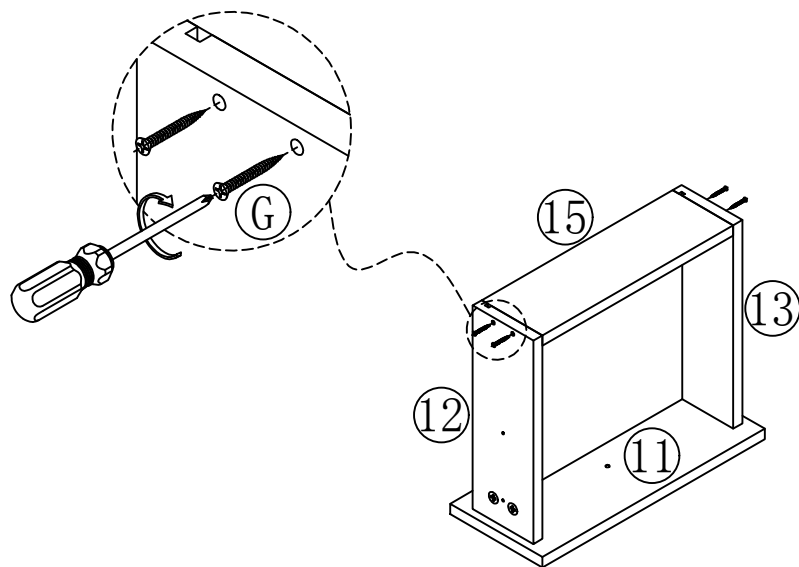
Step 19



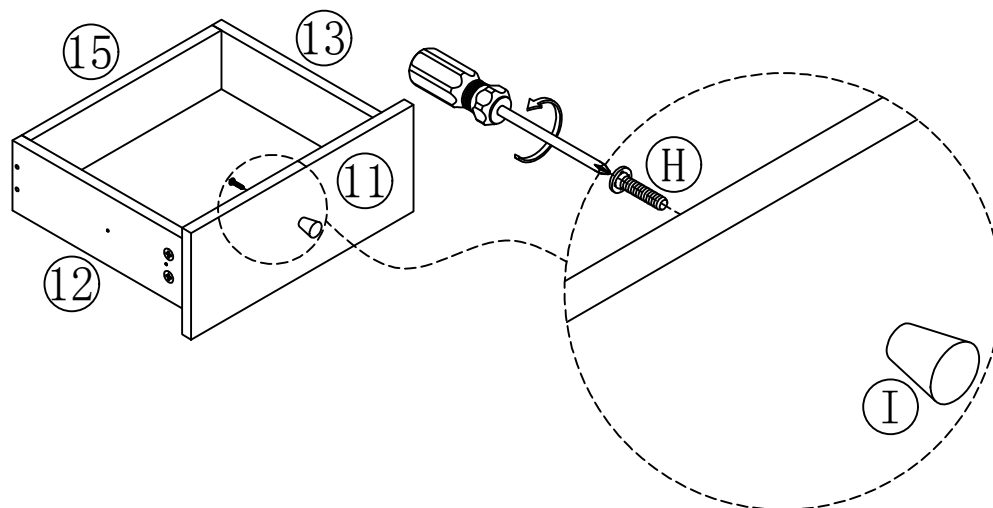
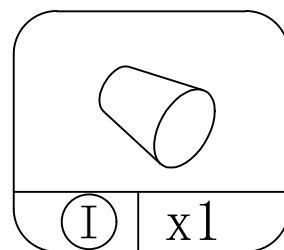
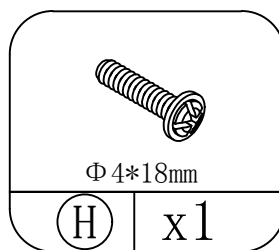
Step 20



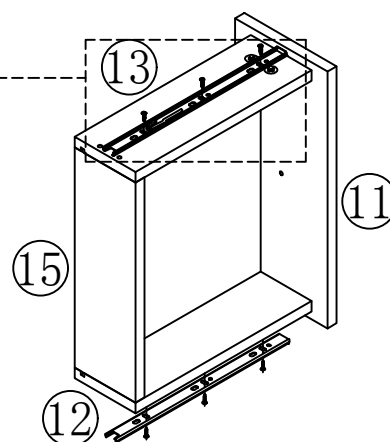
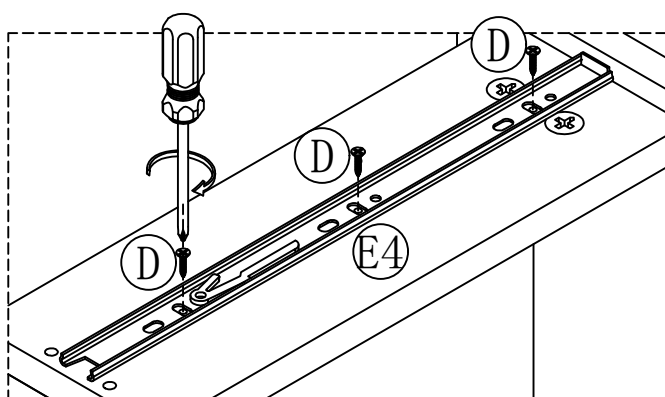
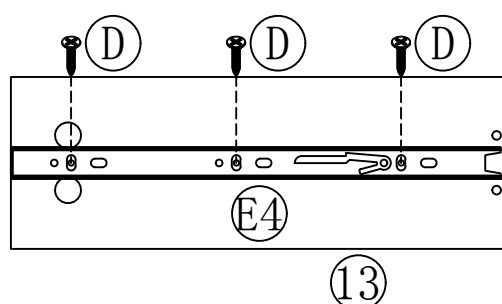
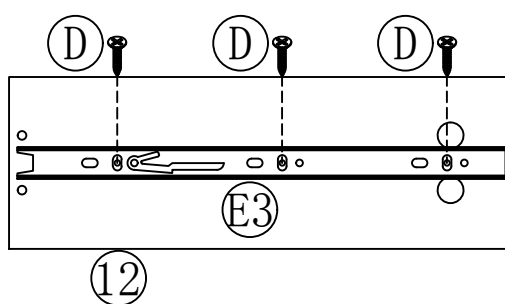
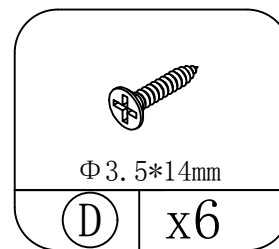
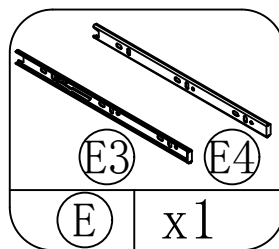
Step 21



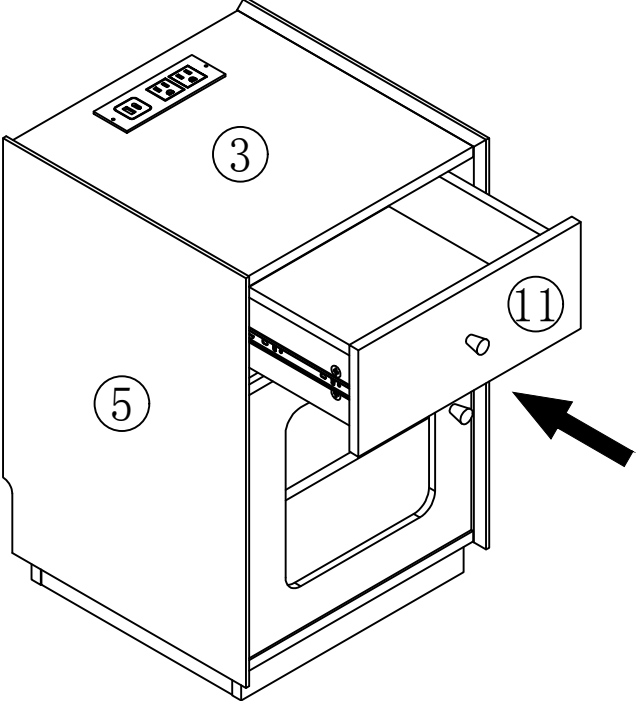
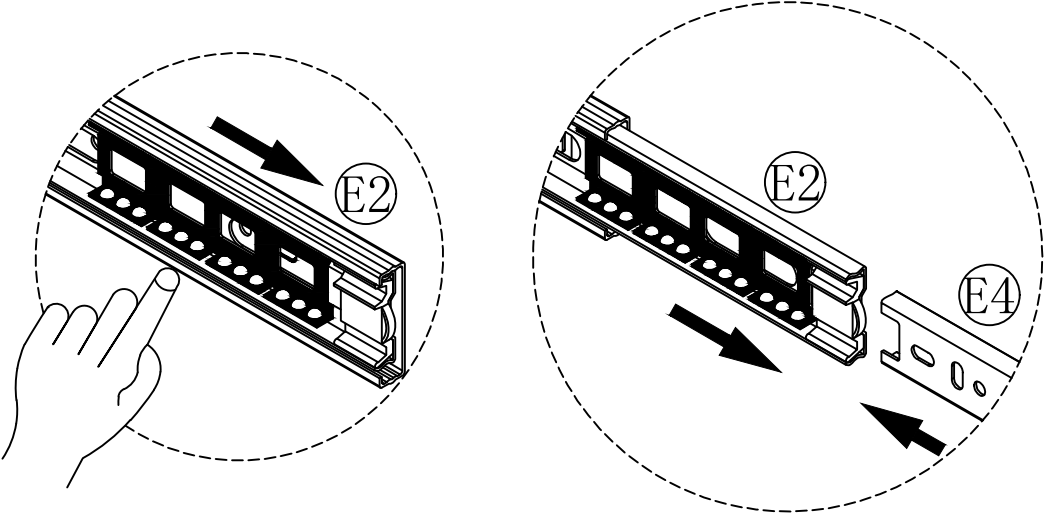
Step 22



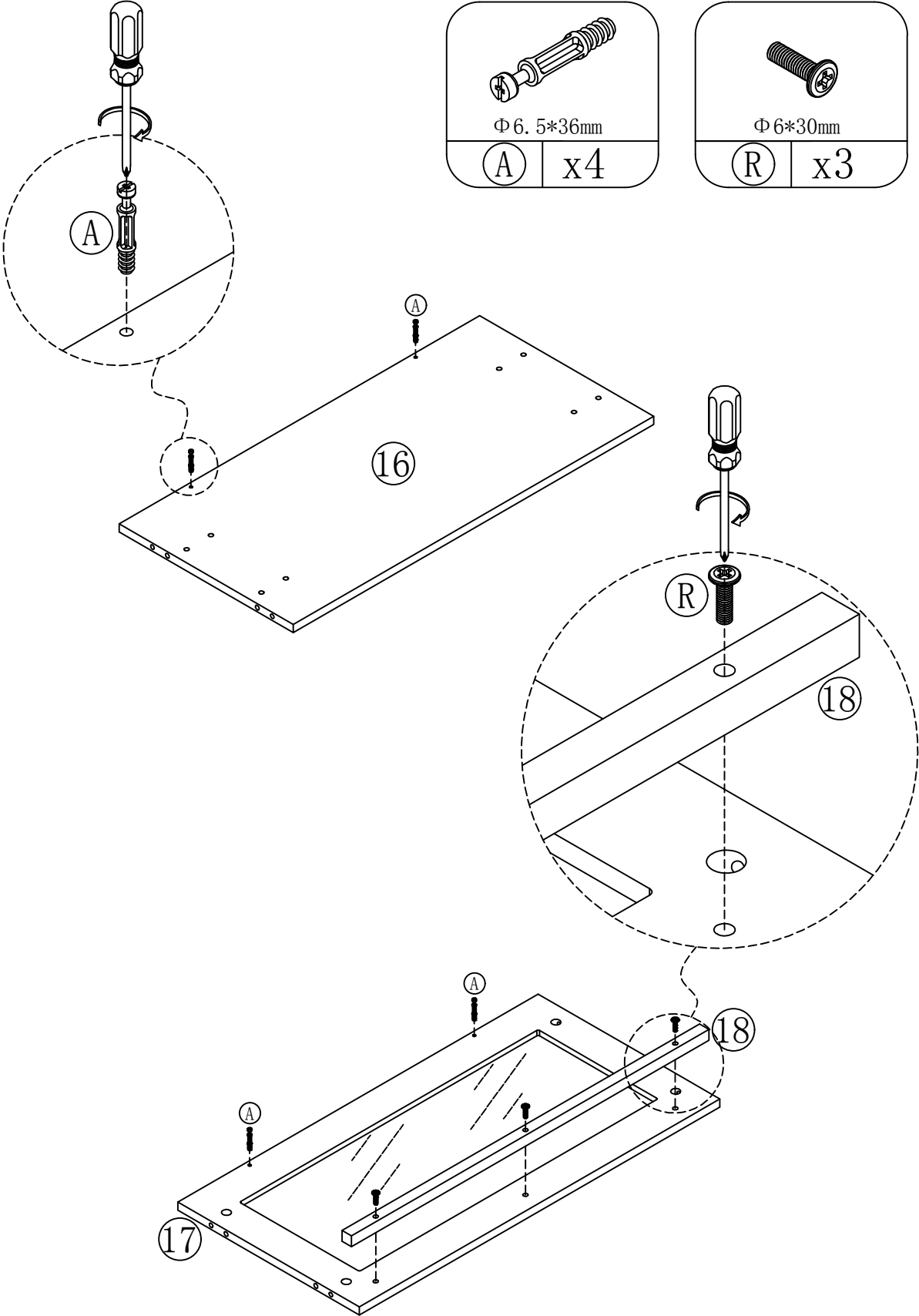
Step 23



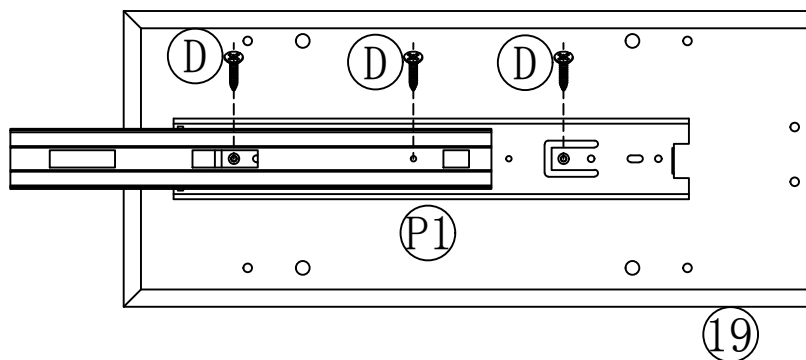
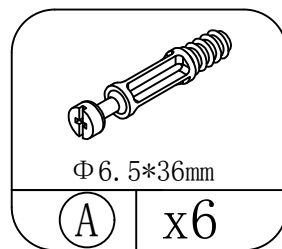
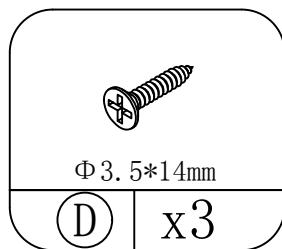
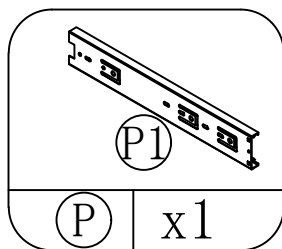
Step 24



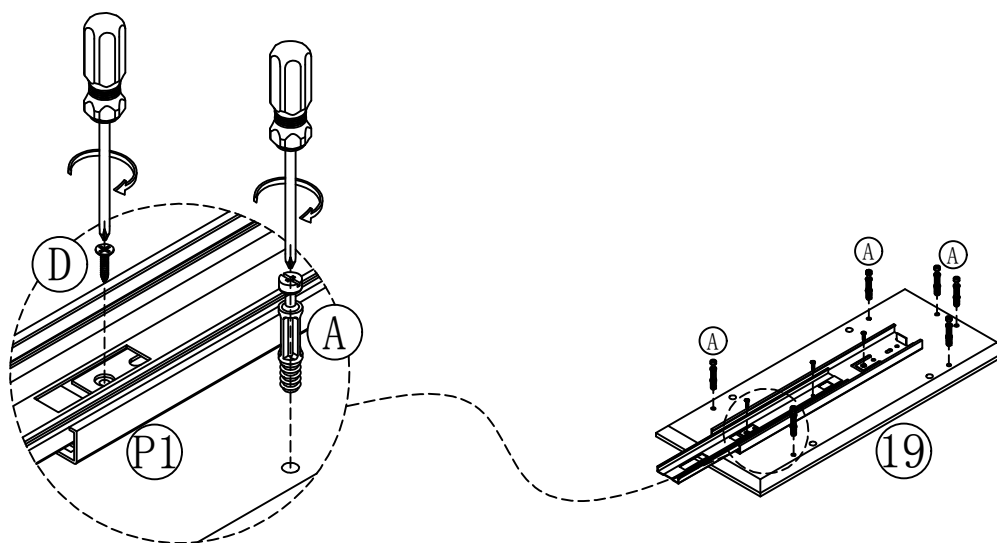
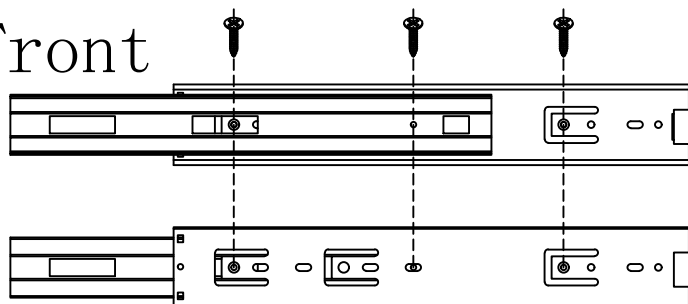
Step 25



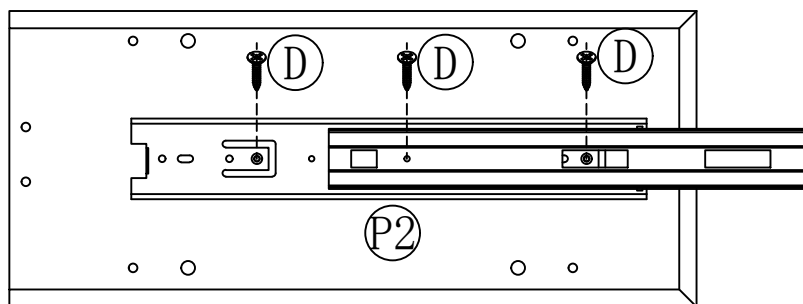
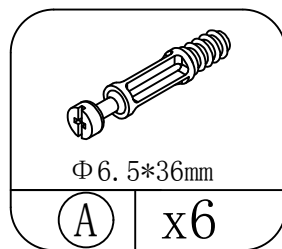
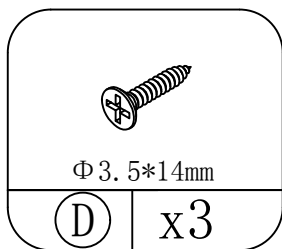
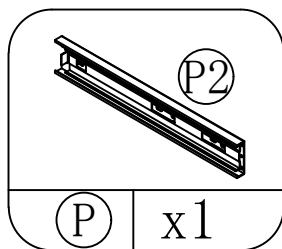
Step 26



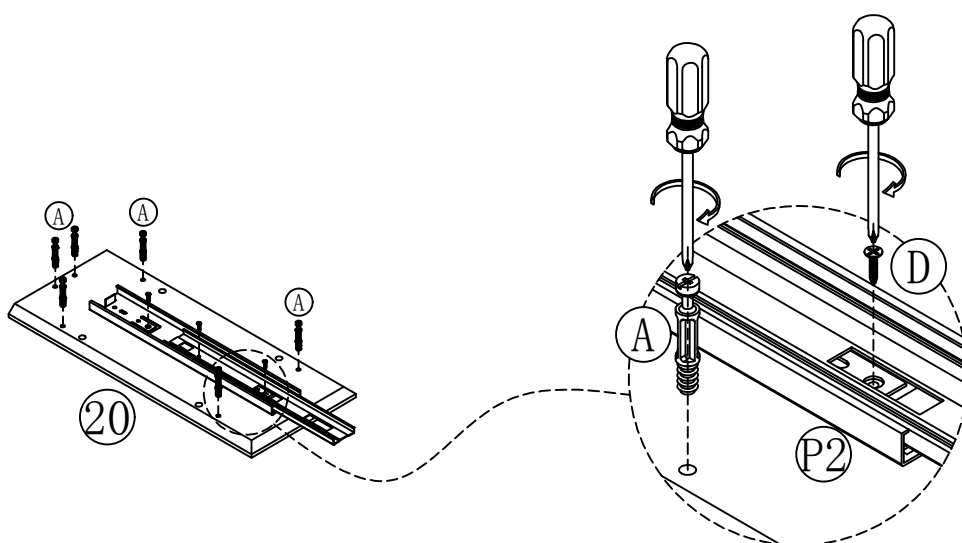
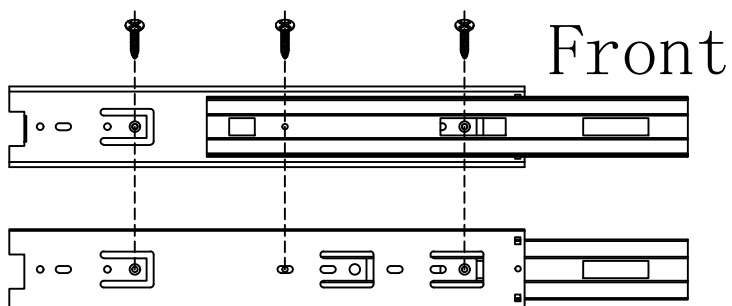
Front



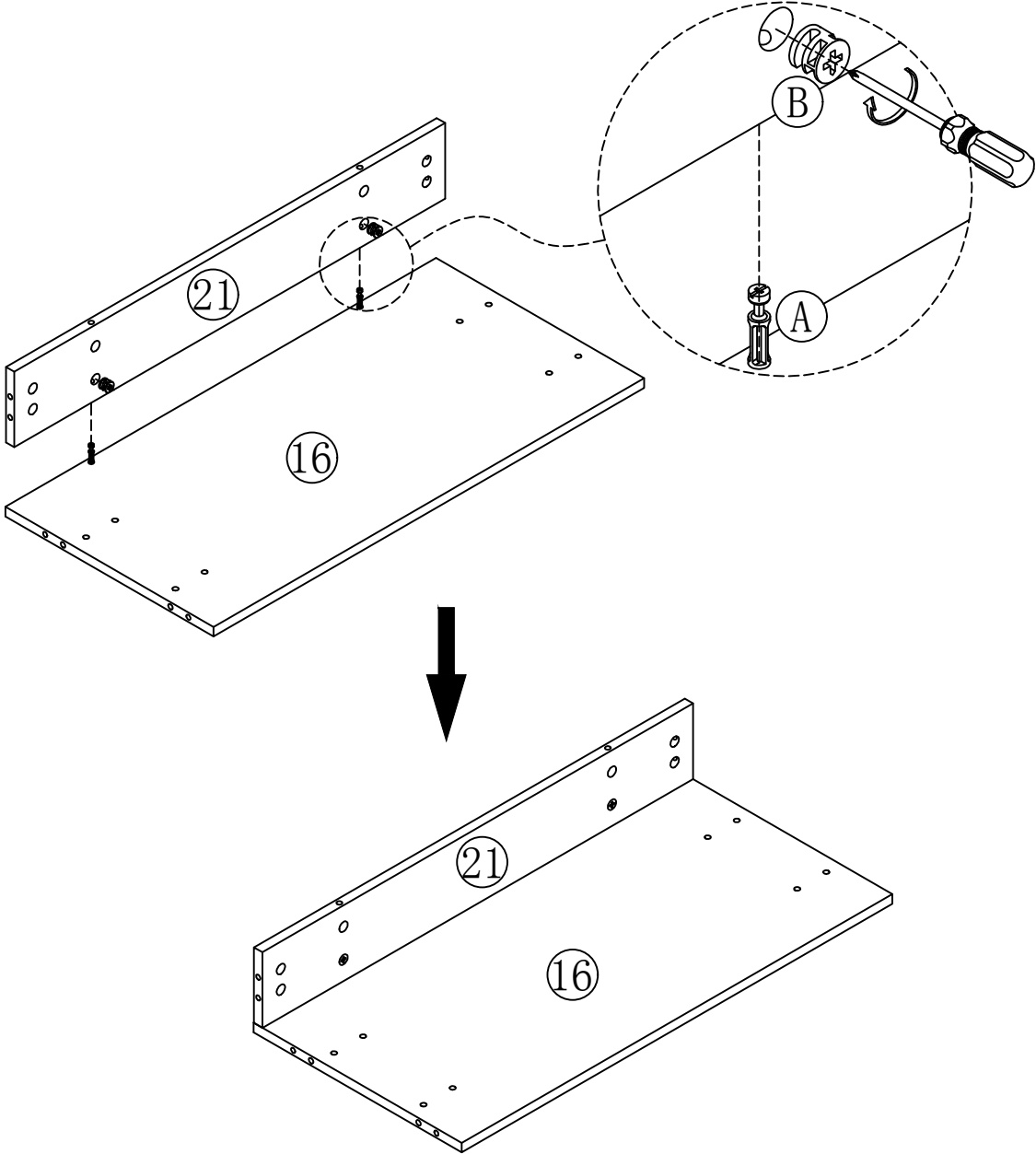
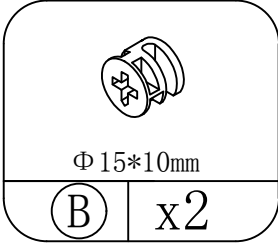
Step 27



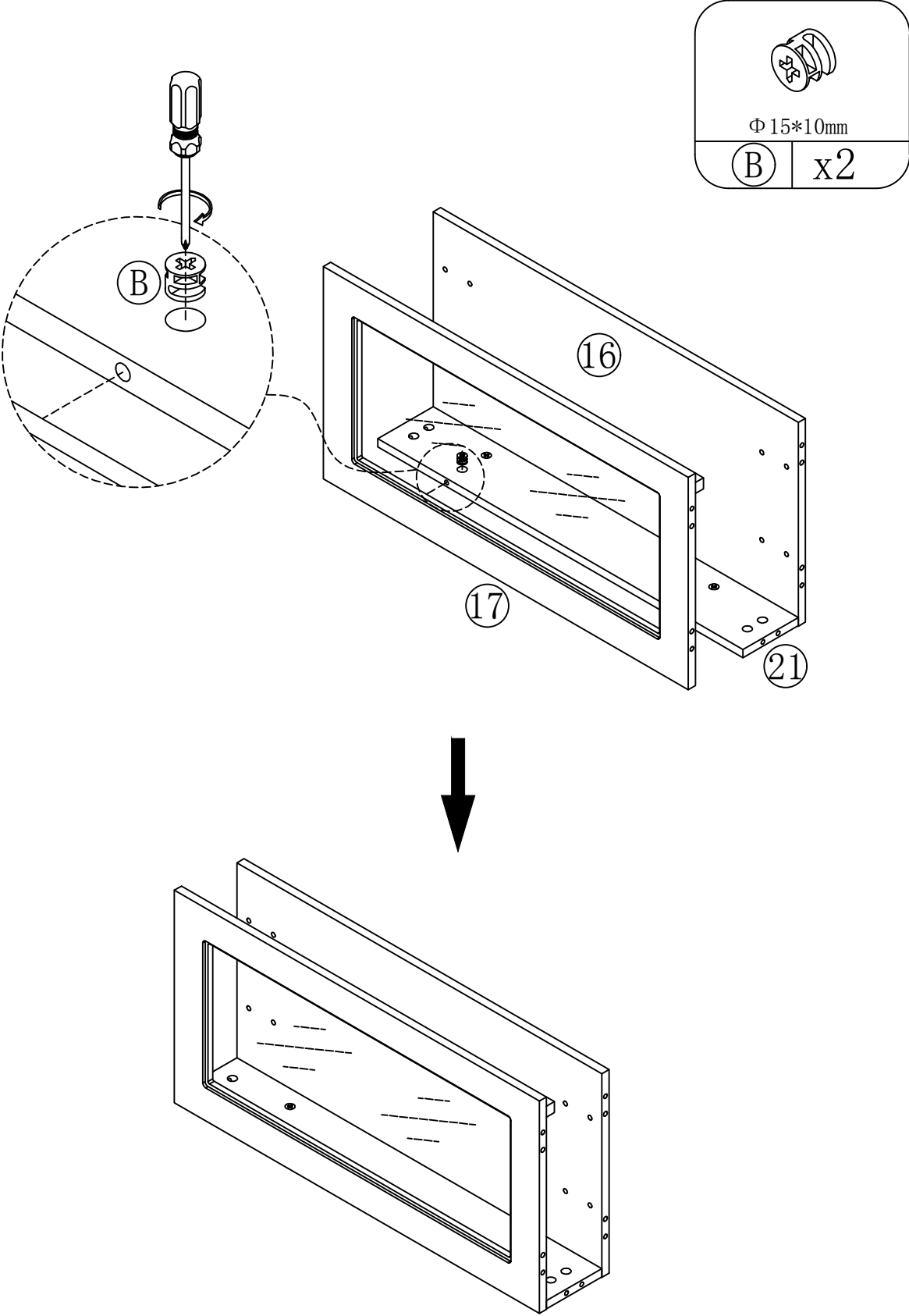
(20)



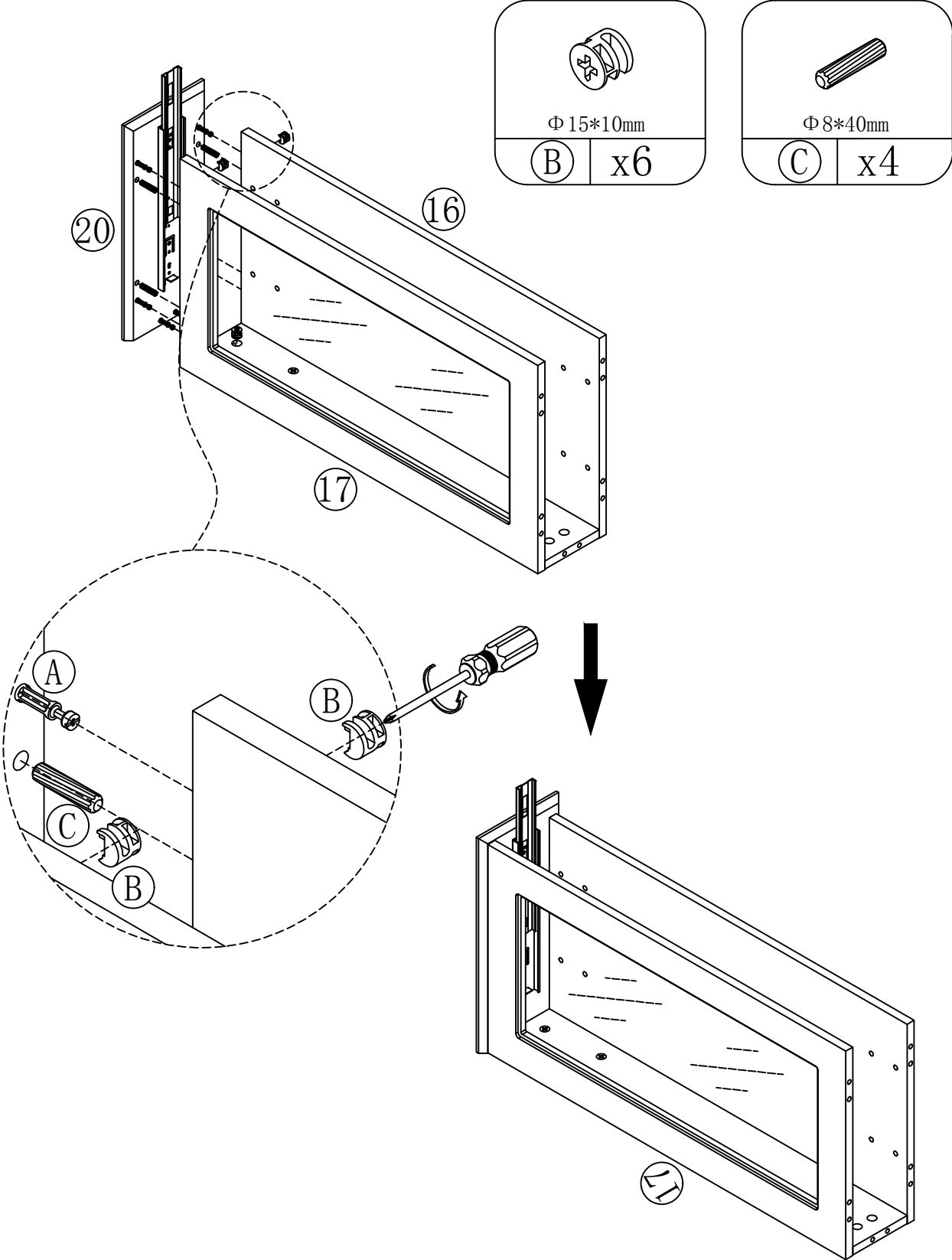
Step 28



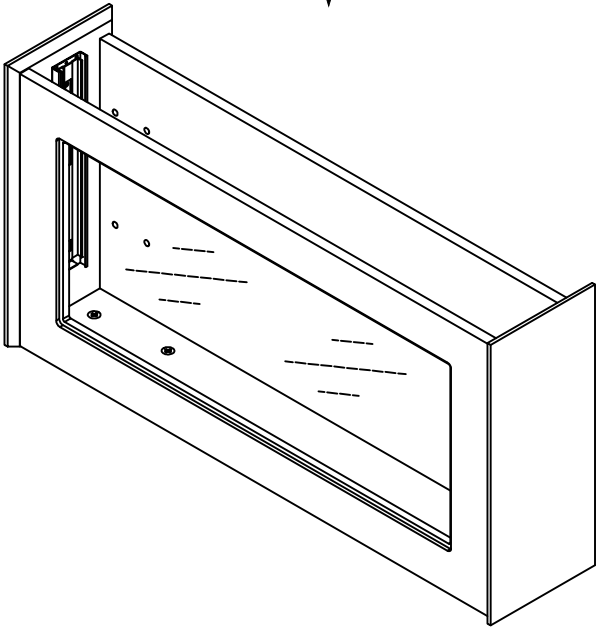
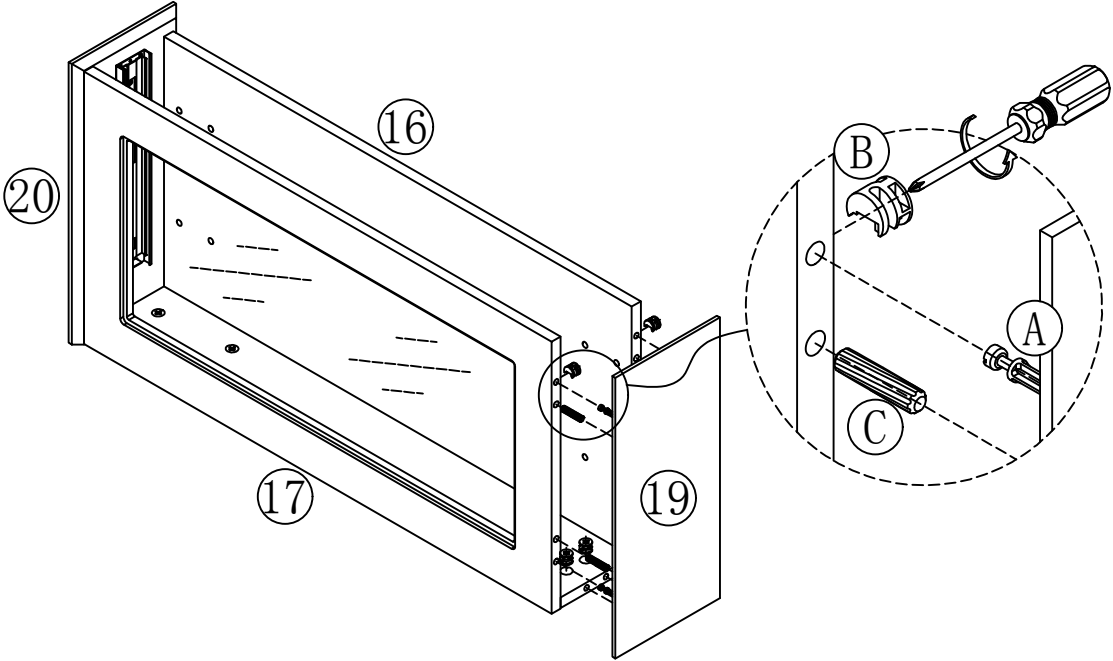
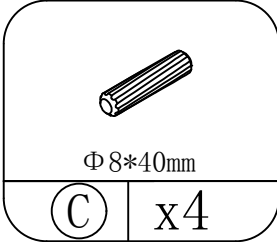
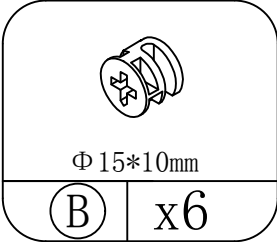
Step 29



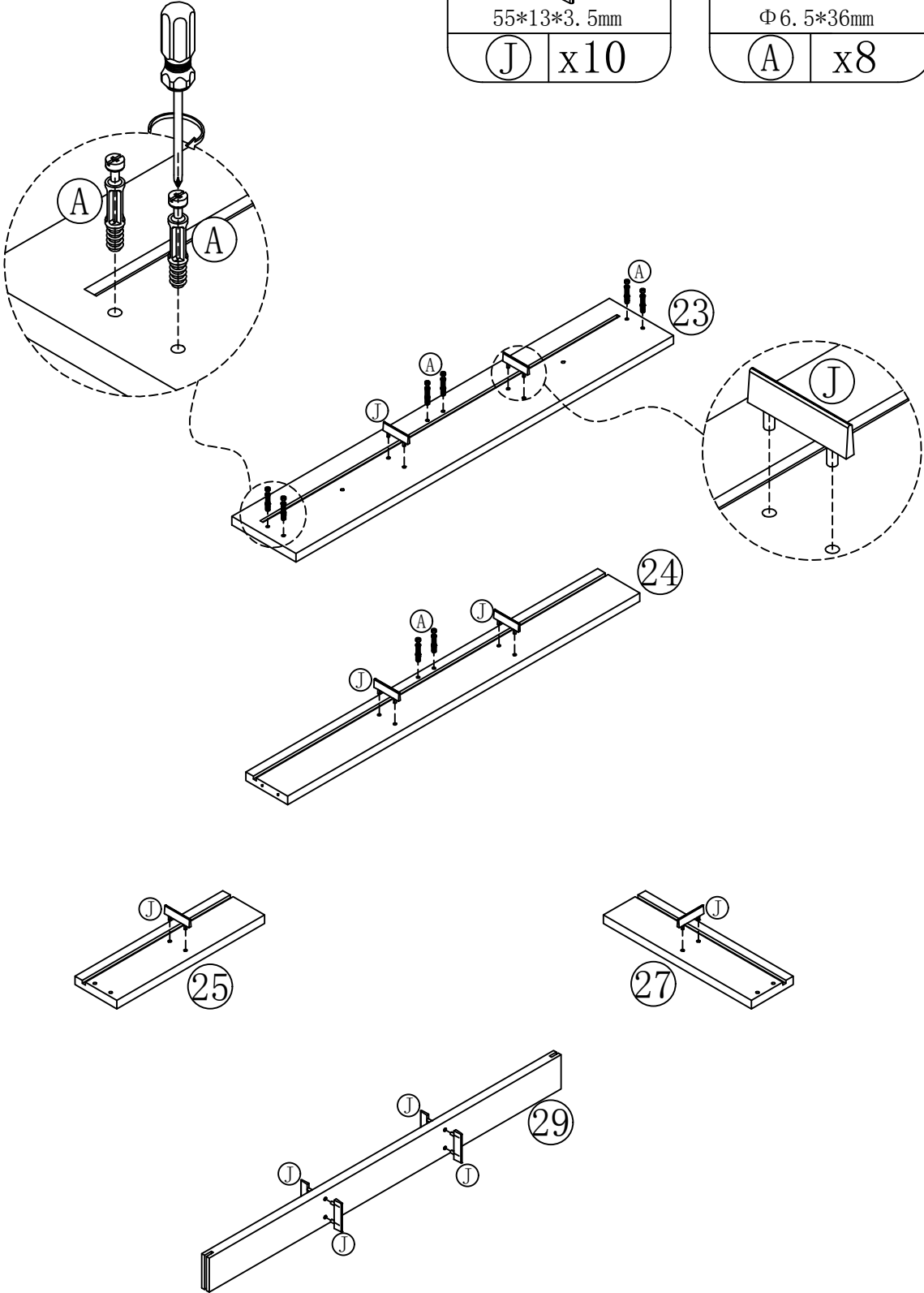
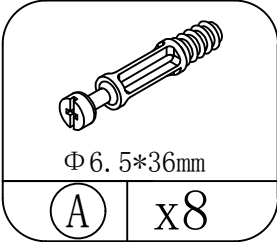
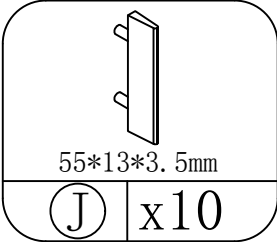
Step 30



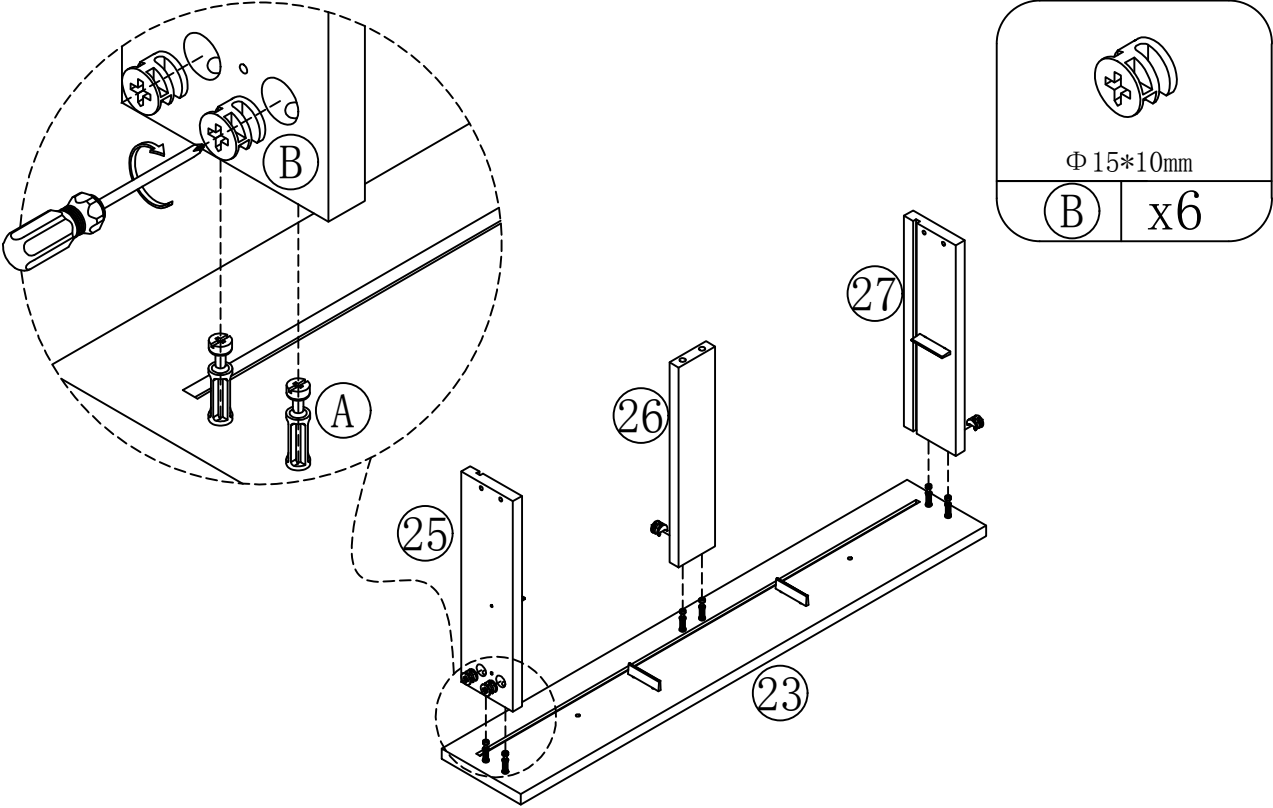
Step 31



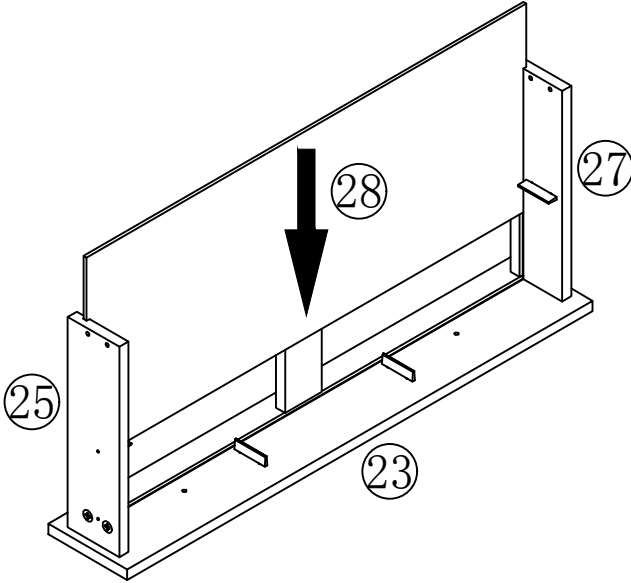
Step 32



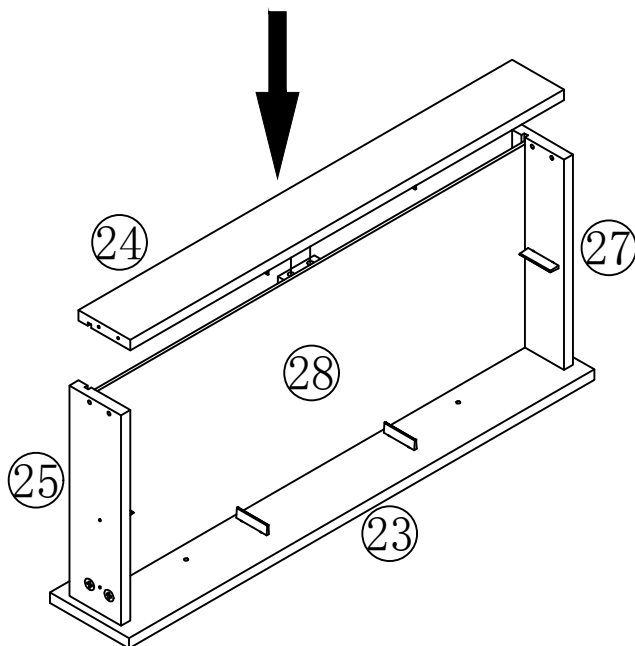
Step 33



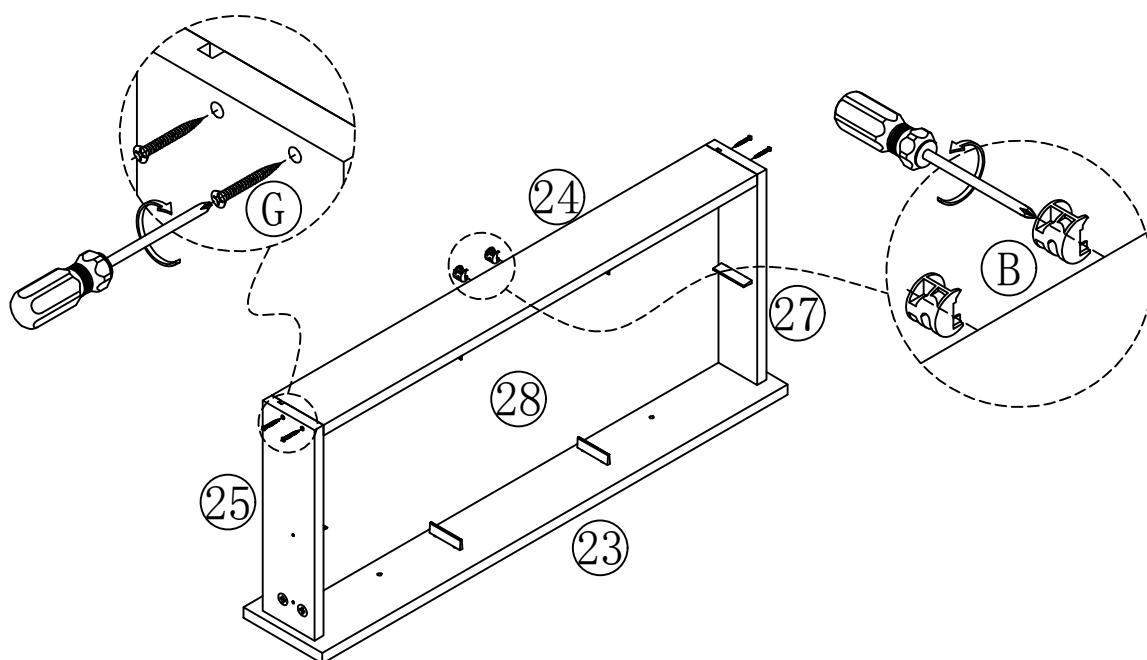
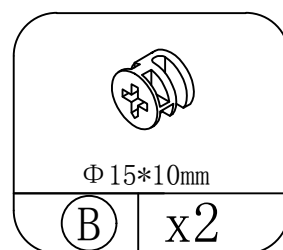
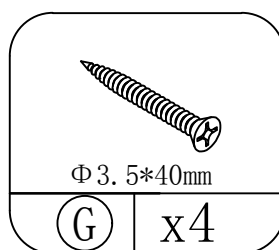
Step 34



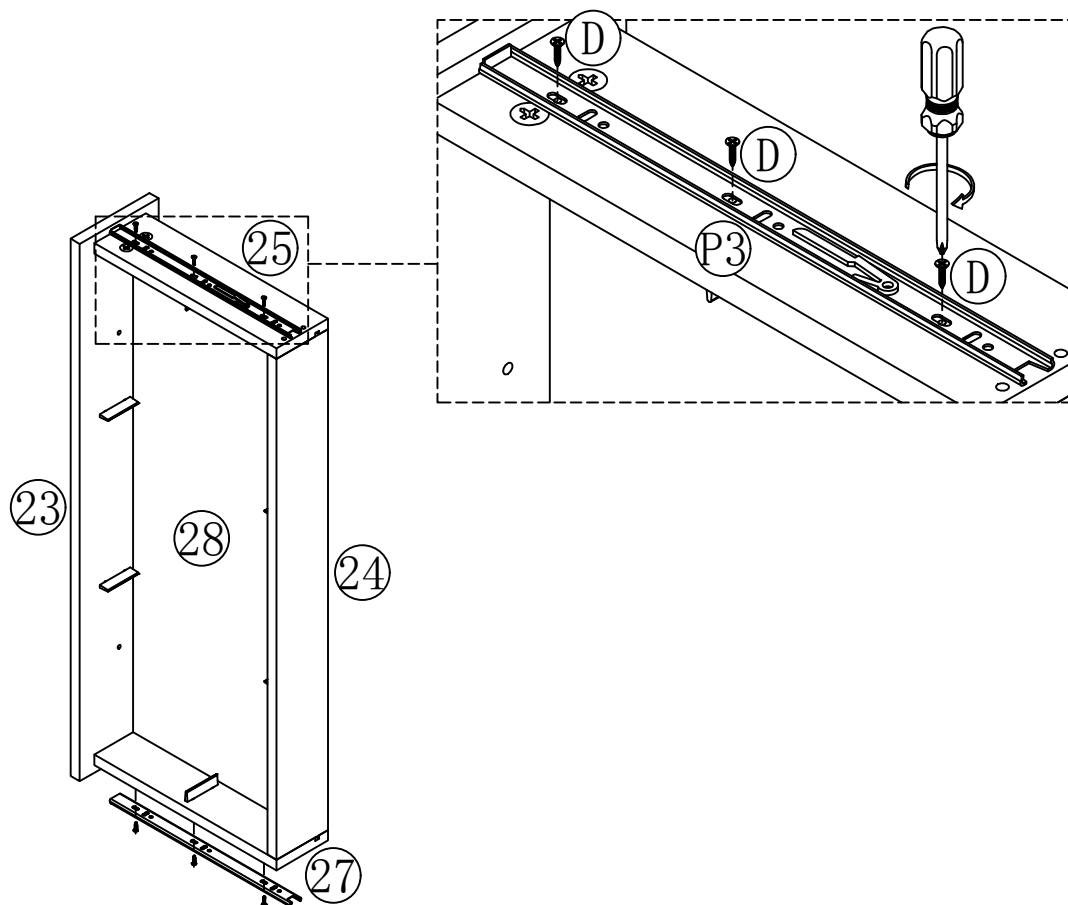
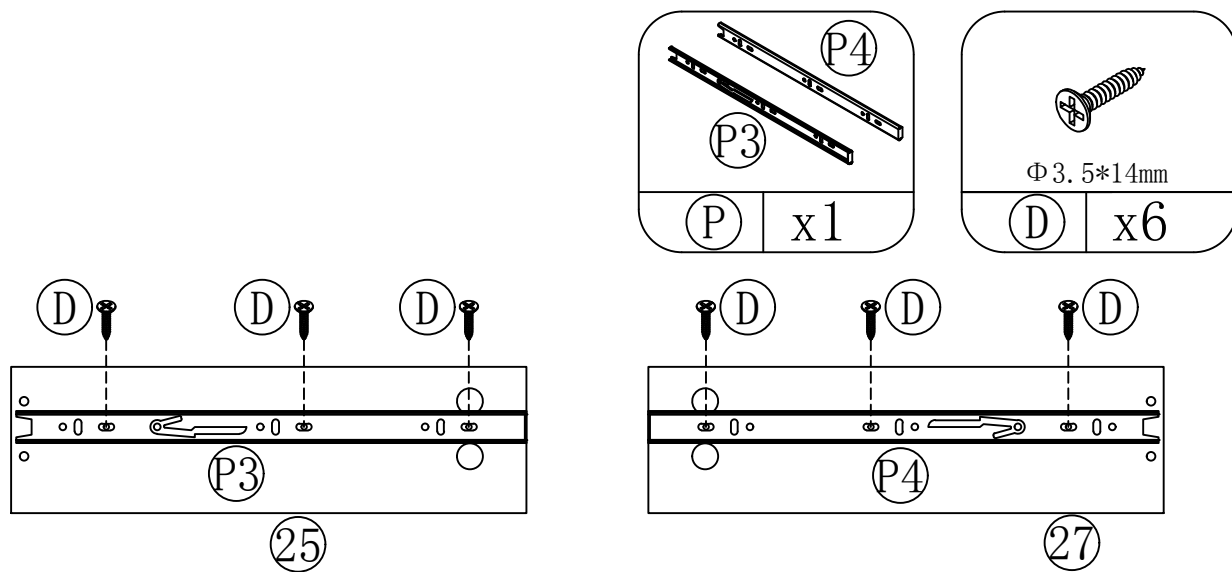
Step 35



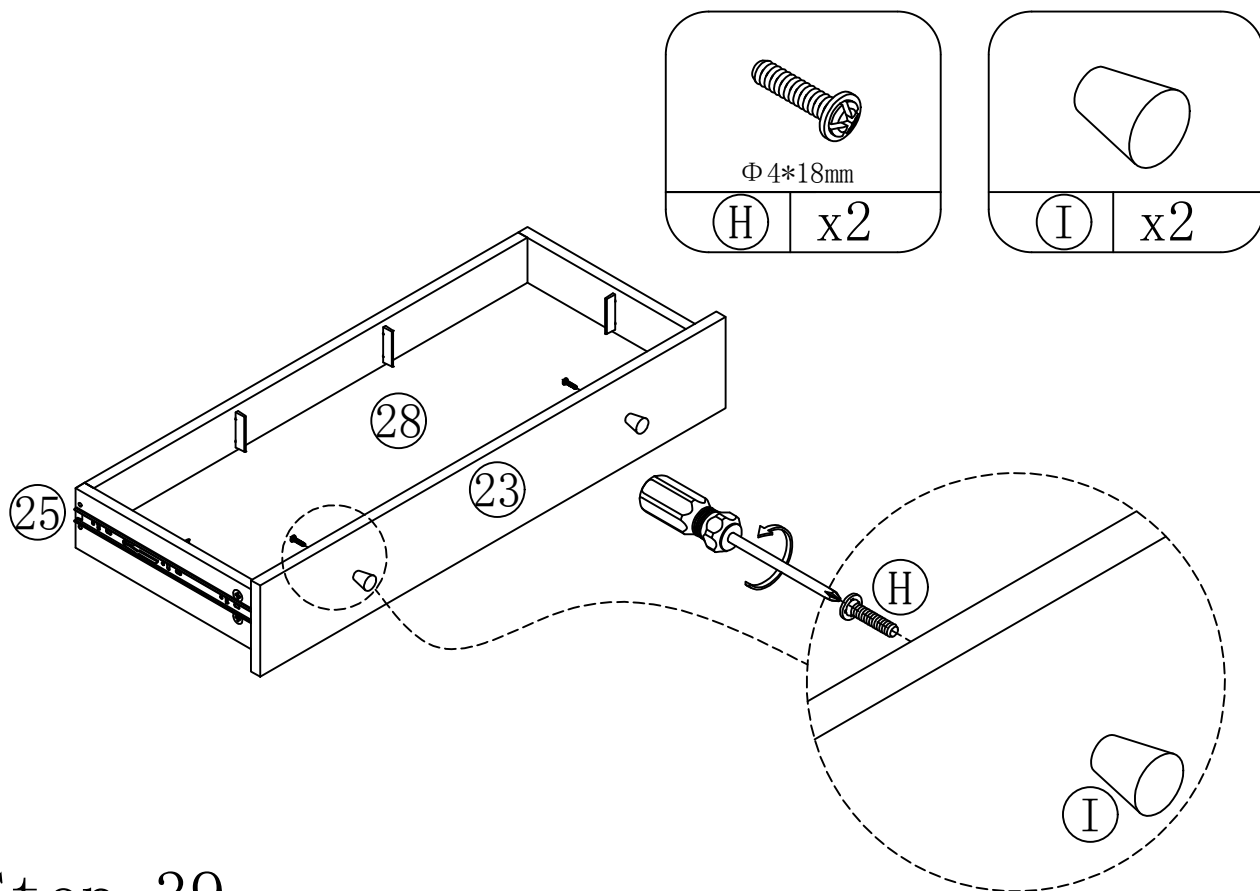
Step 36



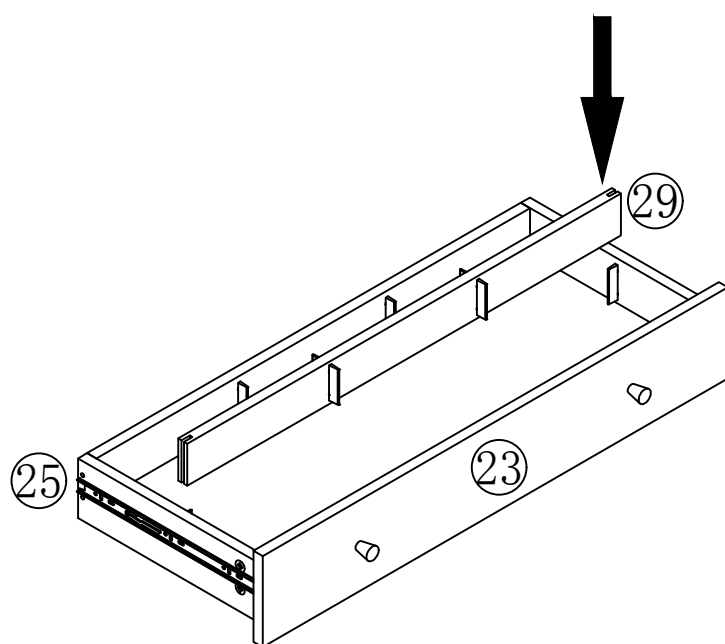
Step 37



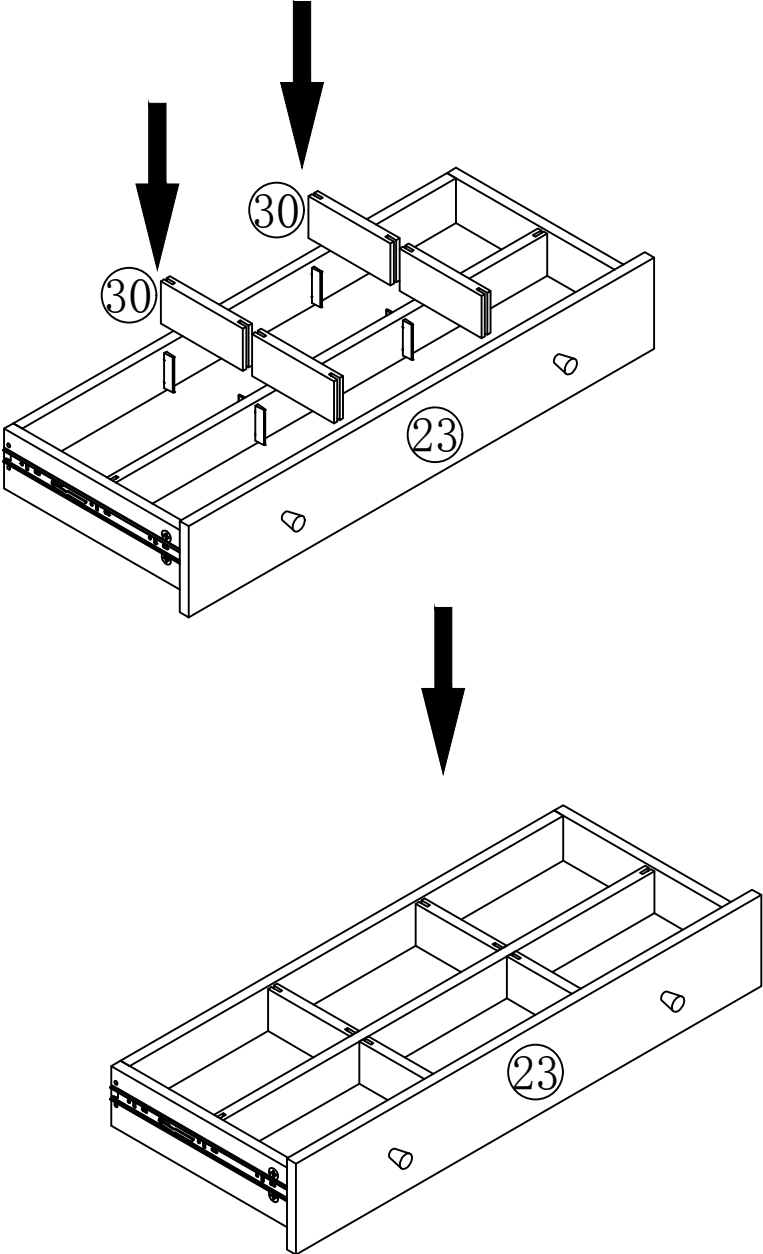
Step 38



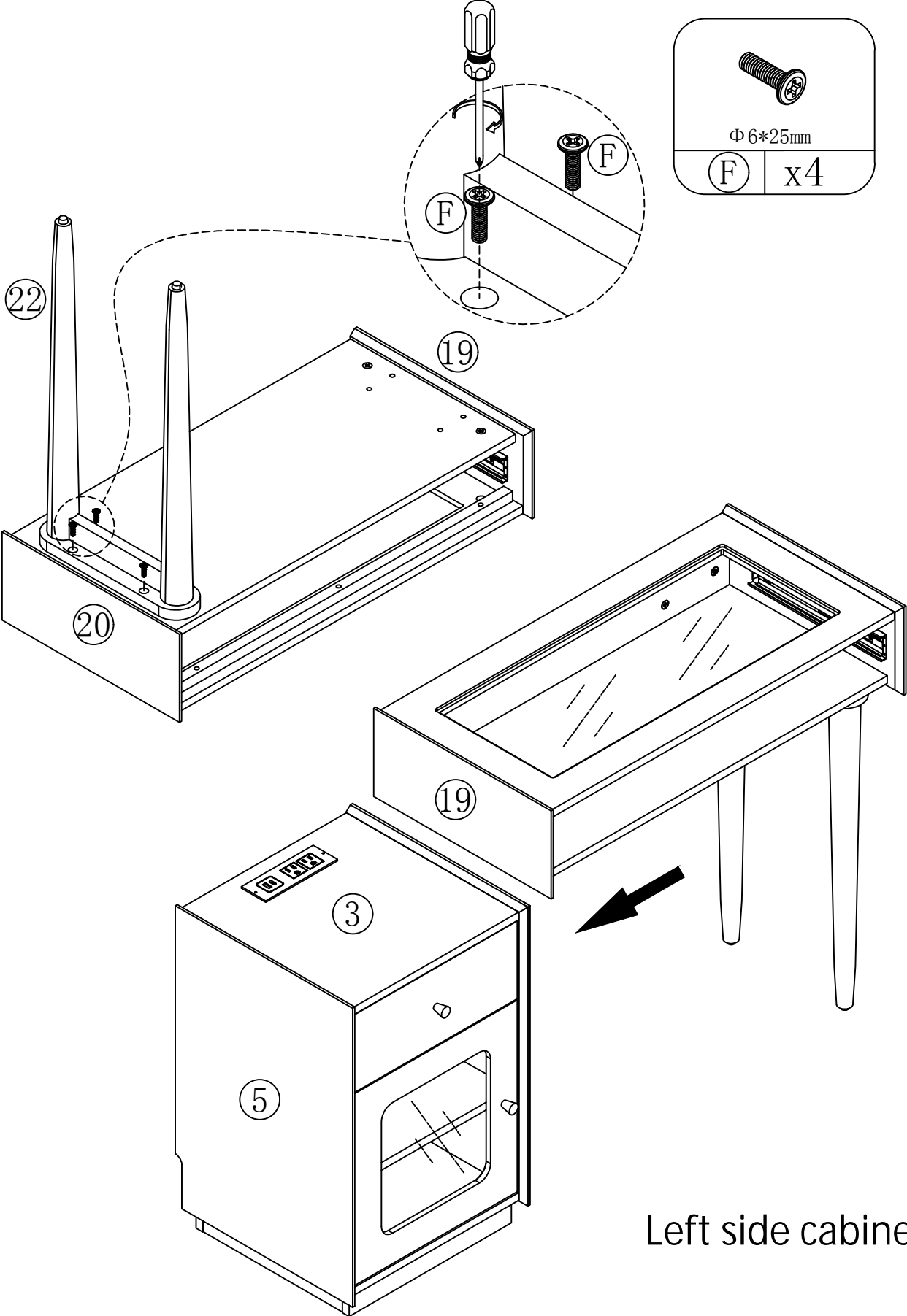
Step 39



Step 40

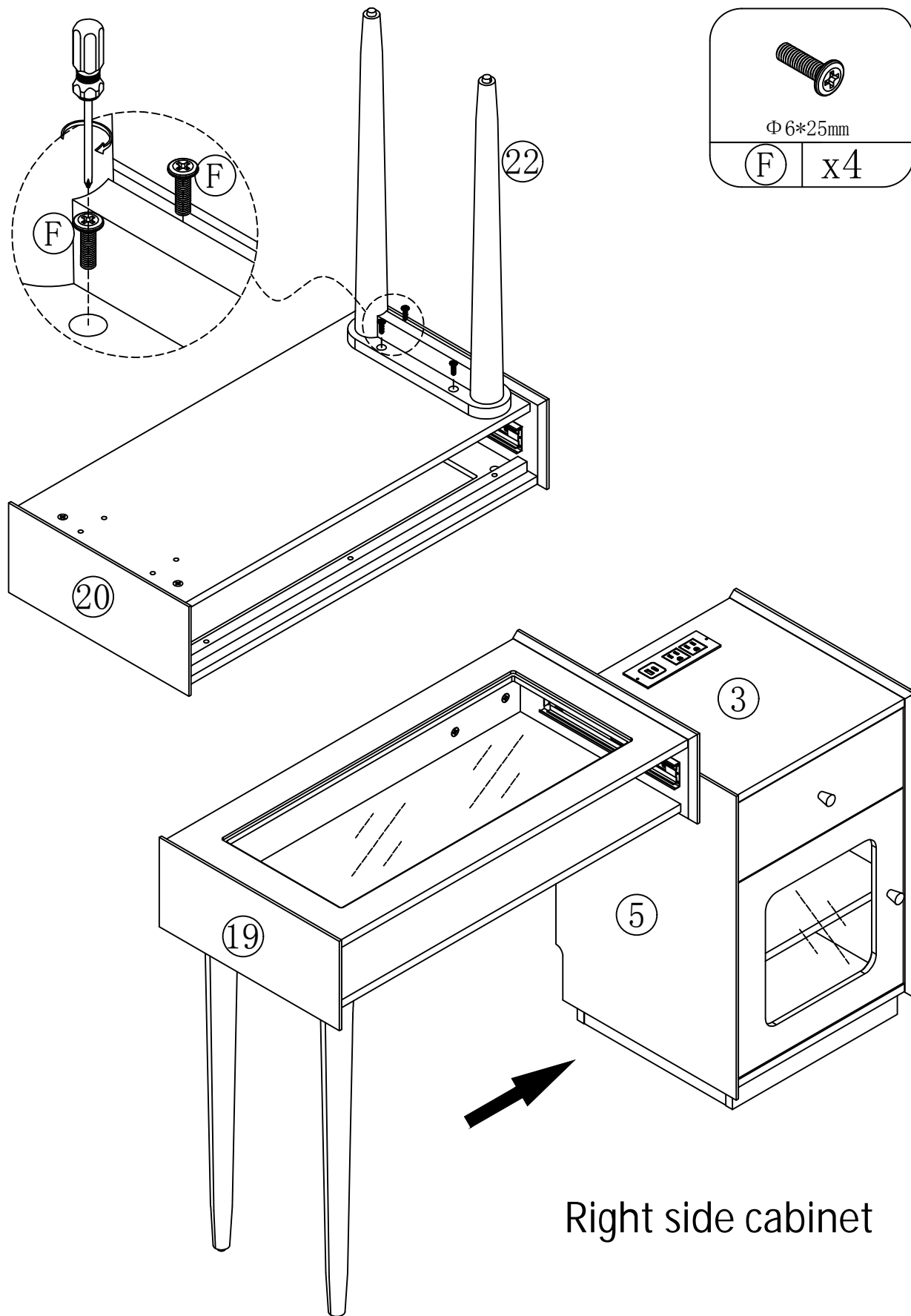


Step 41

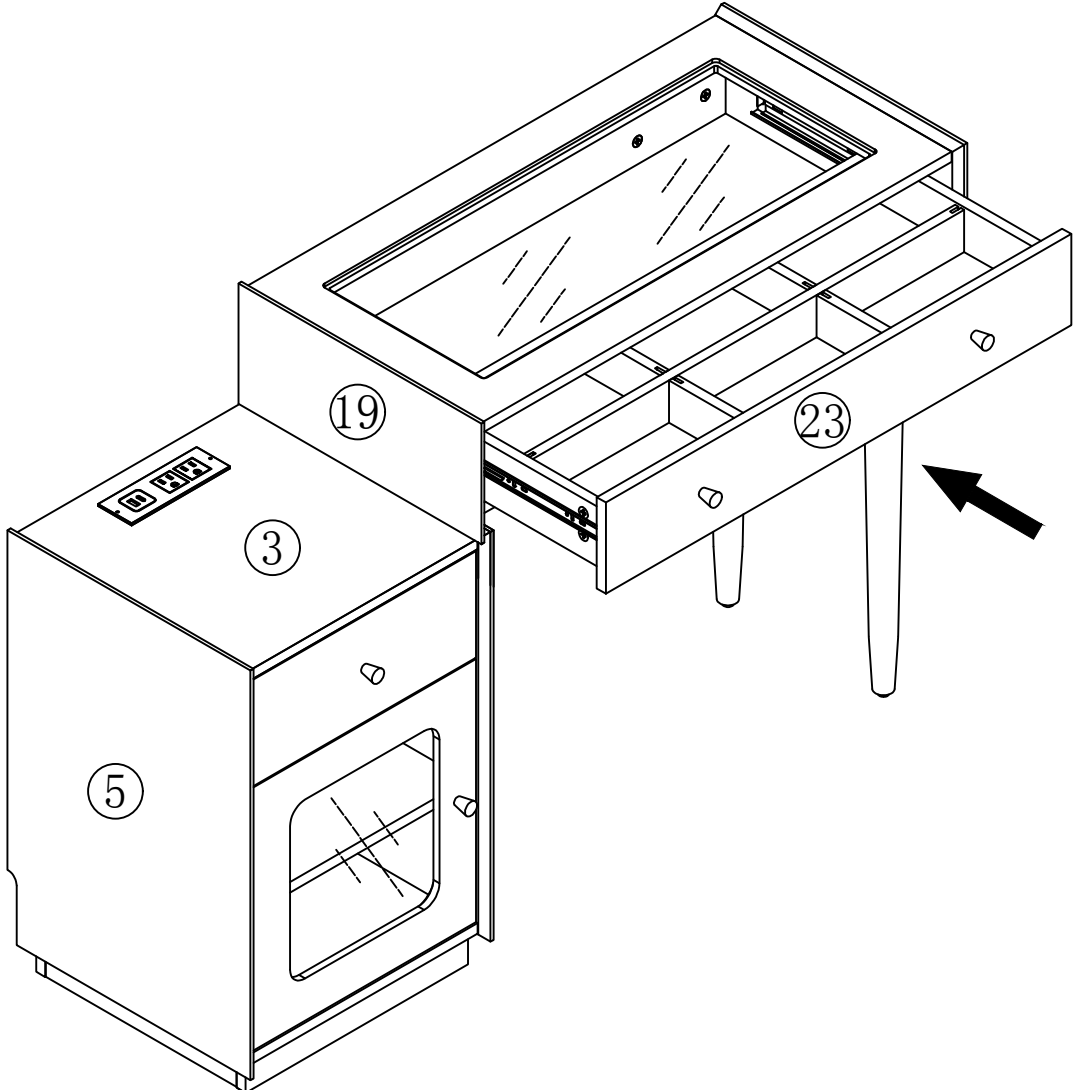
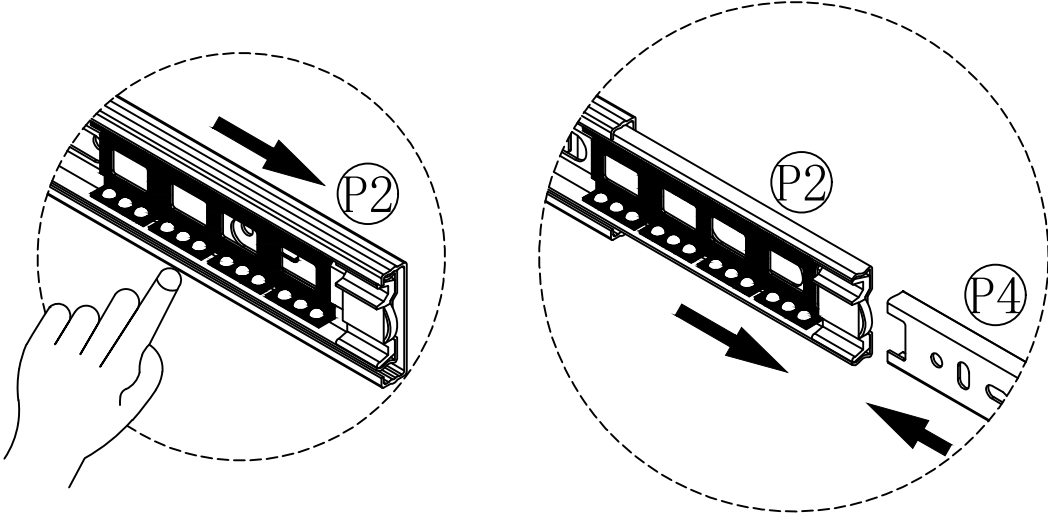


Left side cabinet

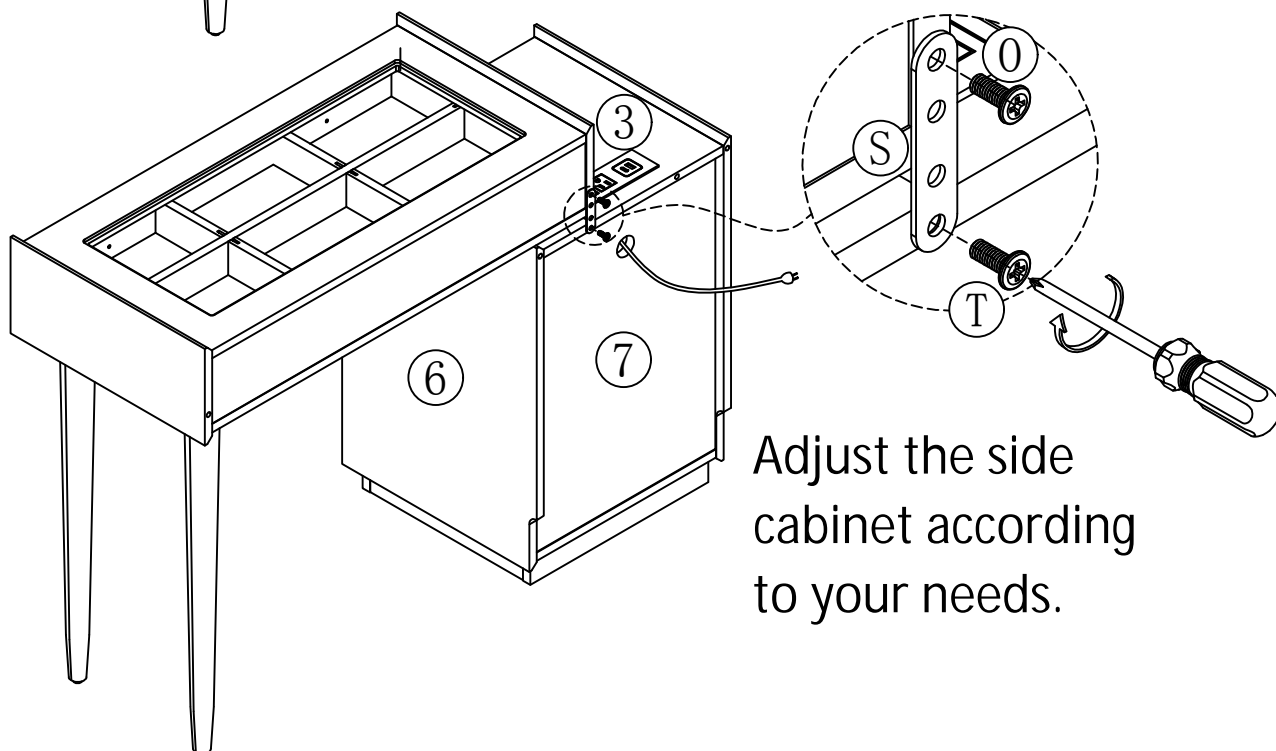
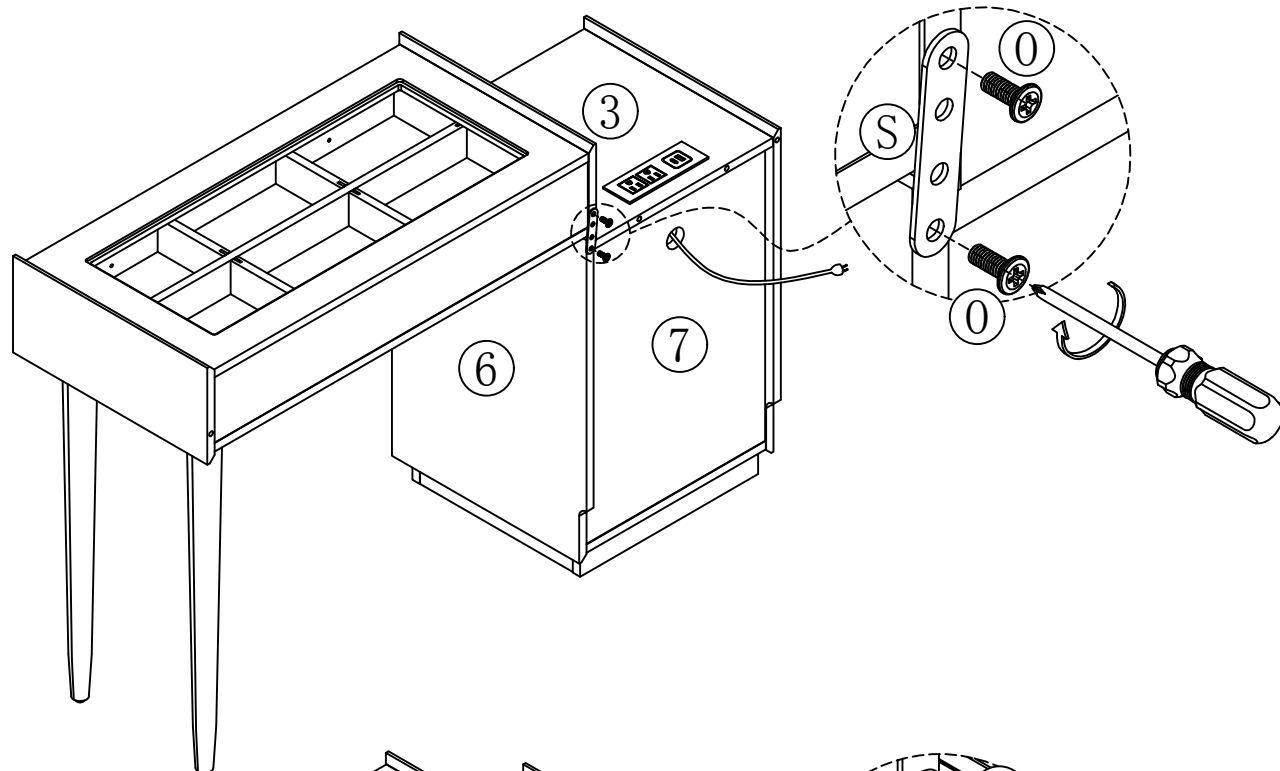
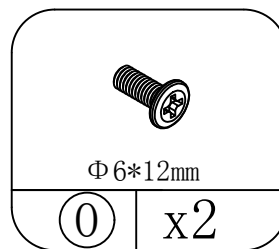
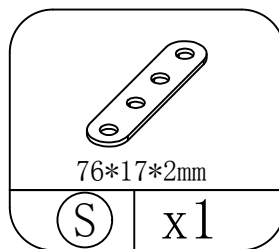
Step 42



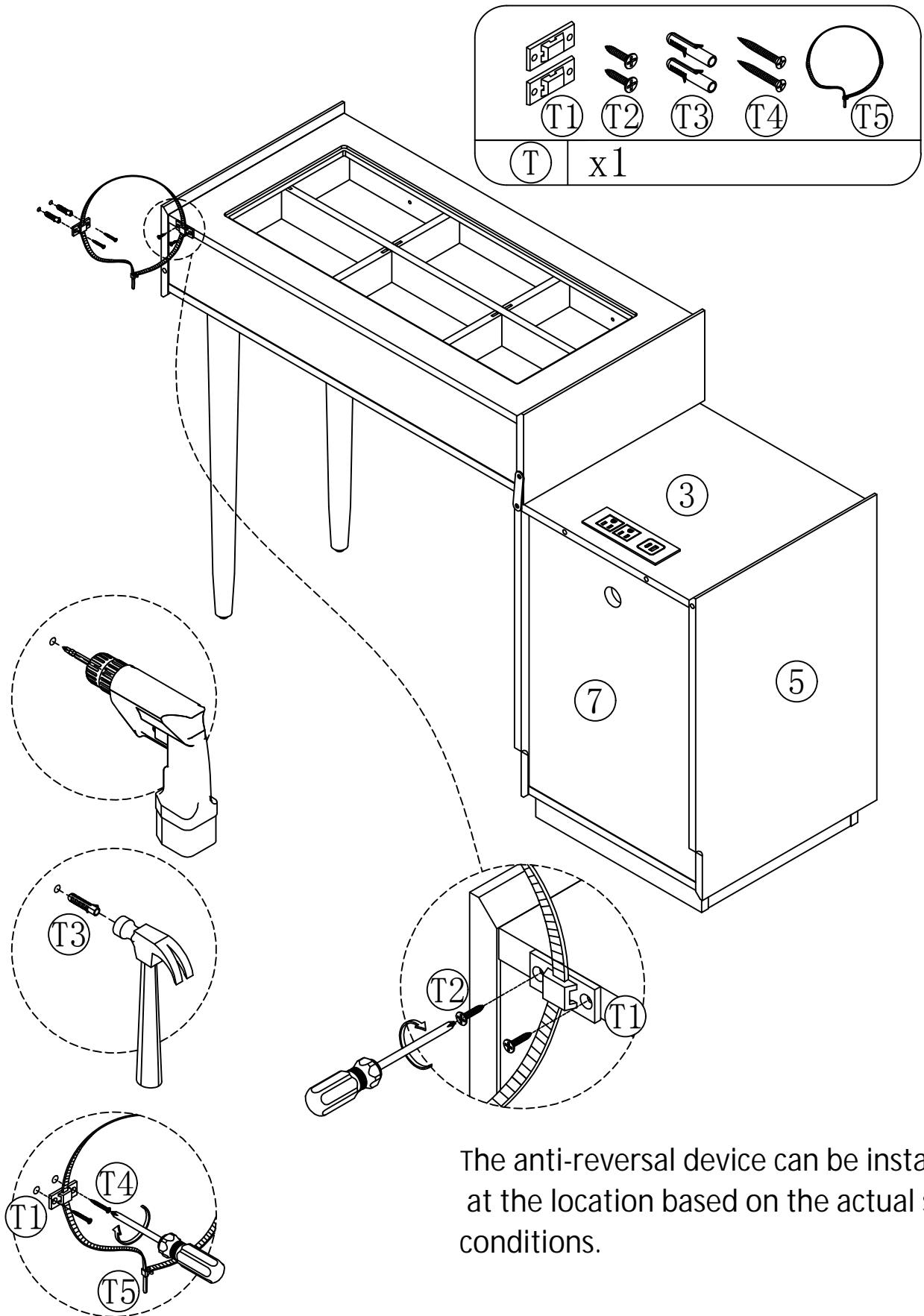
Step 43



Step 44

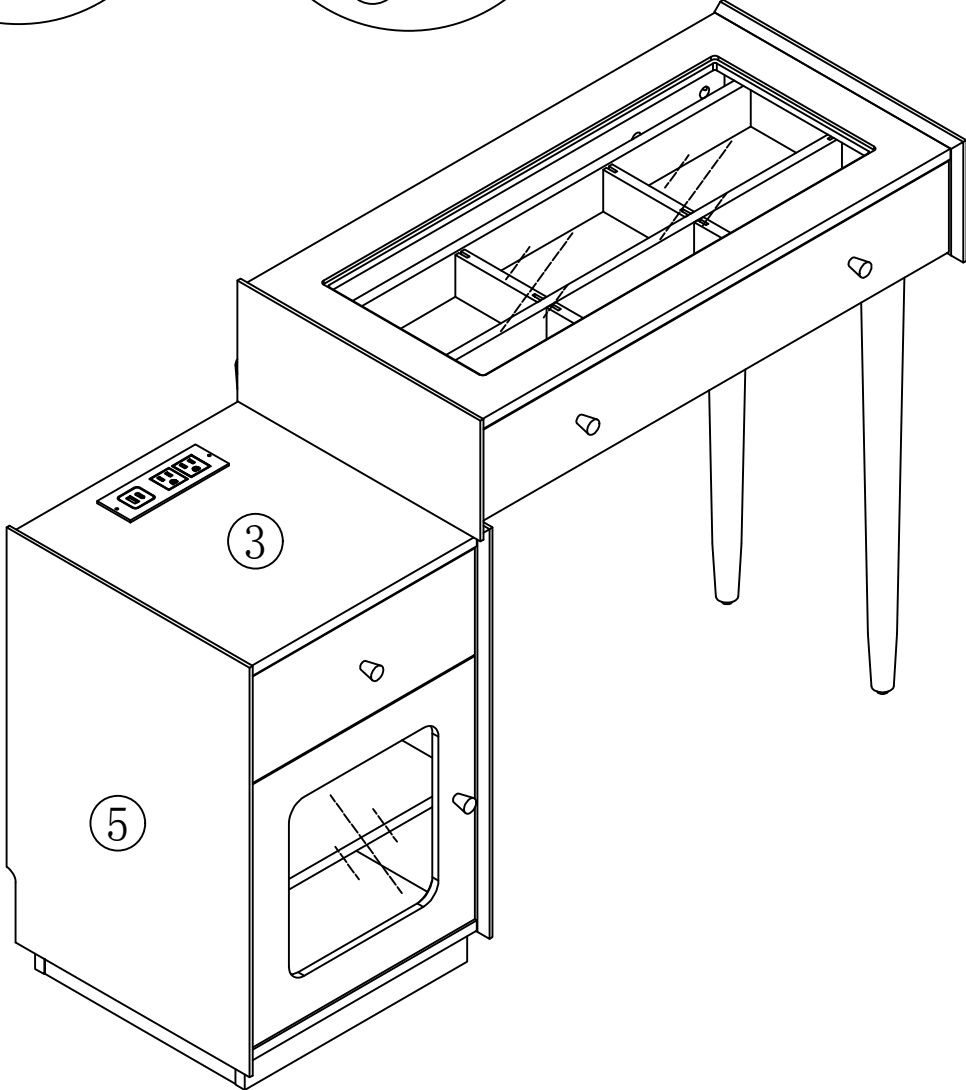
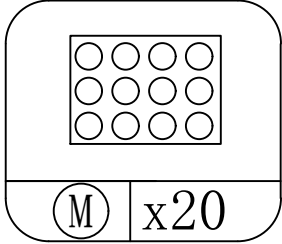
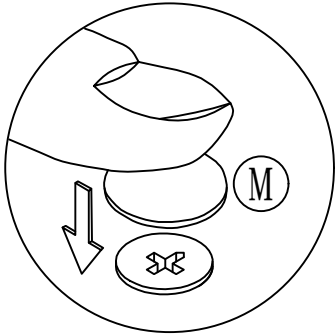


Step 45



The anti-reversal device can be installed at the location based on the actual site conditions.

Step 46



ANTI-TIP RESTRAINT INSTALLATION

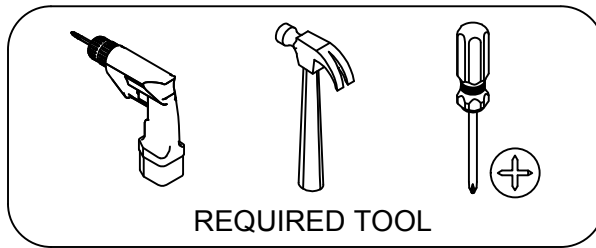
Serious or fatal crushing injuries can occur from furniture tip-over. To help prevent tip-over:

1. Install tip-over restraint provided.
2. Do not set heavy objects on top of this product, unless the product is specifically designed to accommodate them.
3. Never allow children to climb or hang on mirrors, shelves, consoles, or cabinets with doors and/or drawers.

Use of tip-over restraints may only reduce but not eliminate, the risk of tip-over.



! WARNING!



NO.	Hardware	QTY
①		4
②		4
③		4
④		4
⑤		2

Hardware (③/④) to attach brackets to wall is designed for drywall. To attach this unit to another type of wall, consult with your local hardware store.

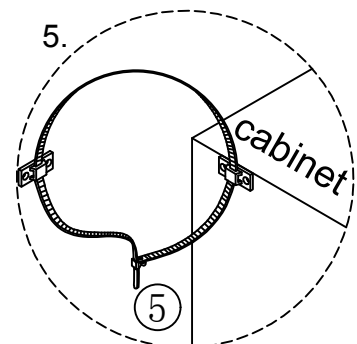
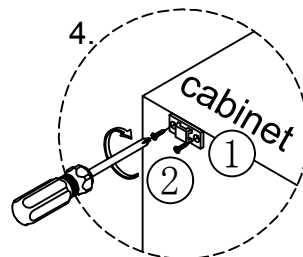
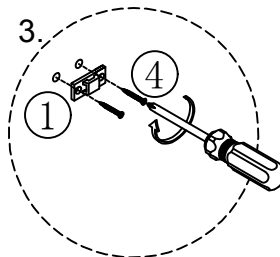
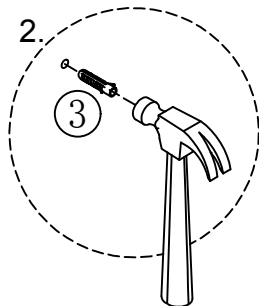
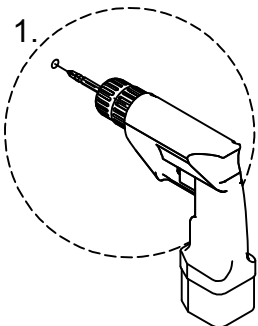
Note: Please be careful during the installation of the anti-tip kit. We would not be responsible for the damage to the item(s) caused by any improper installation.

Step 1. Mark on the wall where the bracket ① should be placed, then drill holes and insert the plugs ③ into the drilled holes. Install the bracket ① to the wall with screws ④.

Step 2. Repeat to install another bracket ① to the product.

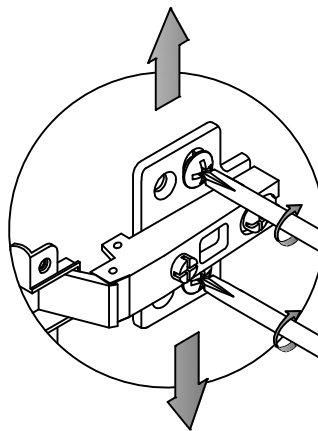
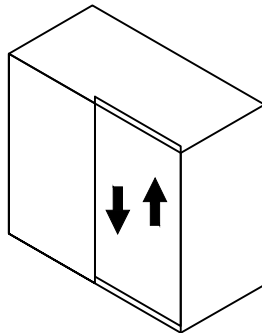
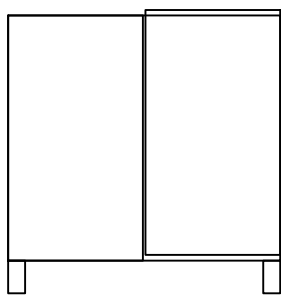
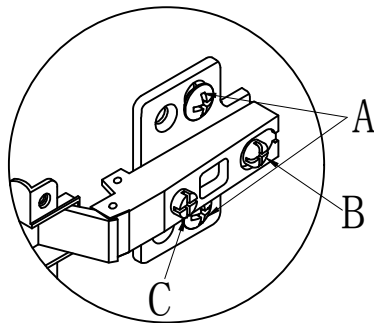
Step 3. Insert the strap ⑤ through the two brackets ①, then connect and pull the strap ⑤ down until it snap-locked.

Step 4. Check the safety and begin to use.



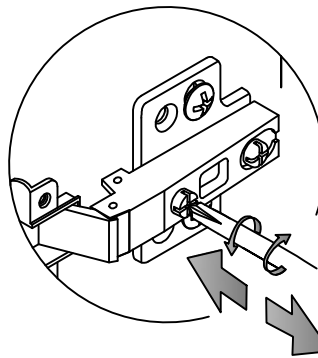
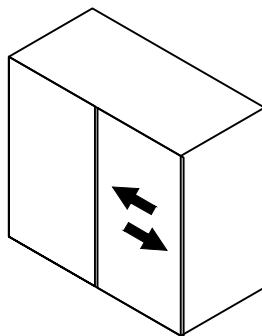
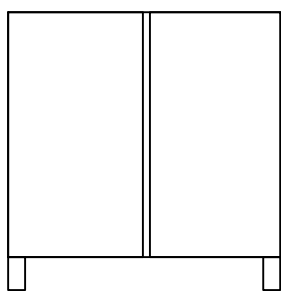
The image is for reference only and does not represent the product you purchased.

Hinge Adjustment Diagram



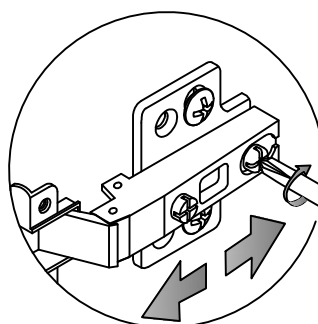
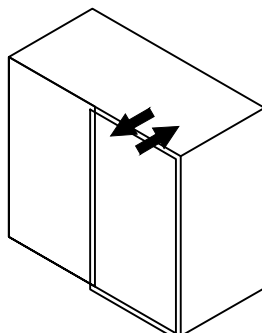
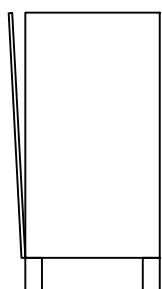
To adjust the vertical height.

Loosen the four screws labeled 'A' on both hinges. Two of these screws are usually in slotted holes, allowing for adjustment up or down by a few mm. After making the adjustment, tighten the screws back into place.



To adjust depth.

Loosen screw 'B' and adjust the door. If the door cannot be adjusted, loosen screw 'C' and try adjusting again. Once adjusted, tighten screws 'B' and 'C'.



To adjust side ways.

Turn screw 'C' on both hinges of each door.
