

INSTALLATION GUIDE

WARNINGS AND CAUTIONS

READ AND SAVE THESE INSTRUCTIONS

Please read and understand this entire manual before attempting to assemble, install or operate the product.

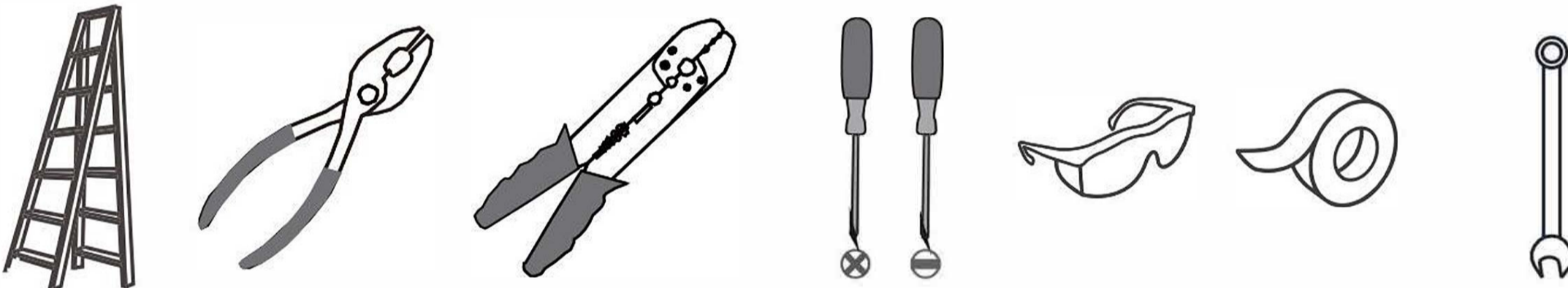
WARNING

- RISK OF ELECTRIC SHOCK - Before beginning installation, turn off electricity at the circuit breaker box or the main fuse box.
- RISK OF FIRE - Use bulbs specified by the markings and/or labels on the fixture.

CAUTION

- For your safety, read instructions completely before beginning installation.
- If in doubt about electrical installation, consult a licensed electrician.
- Turn off electricity to fixture before replacing the bulb(s).

TOOLS REQUIRED



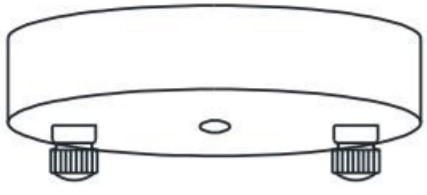
CARE AND MAINTENANCE

- Wipe clean using soft, dry cloth or static duster. Always avoid using harsh chemicals and abrasives to clean fixture as they may damage the finish.

If you need further assistance contact our After Customer Care

PACKAGE CONTENTS

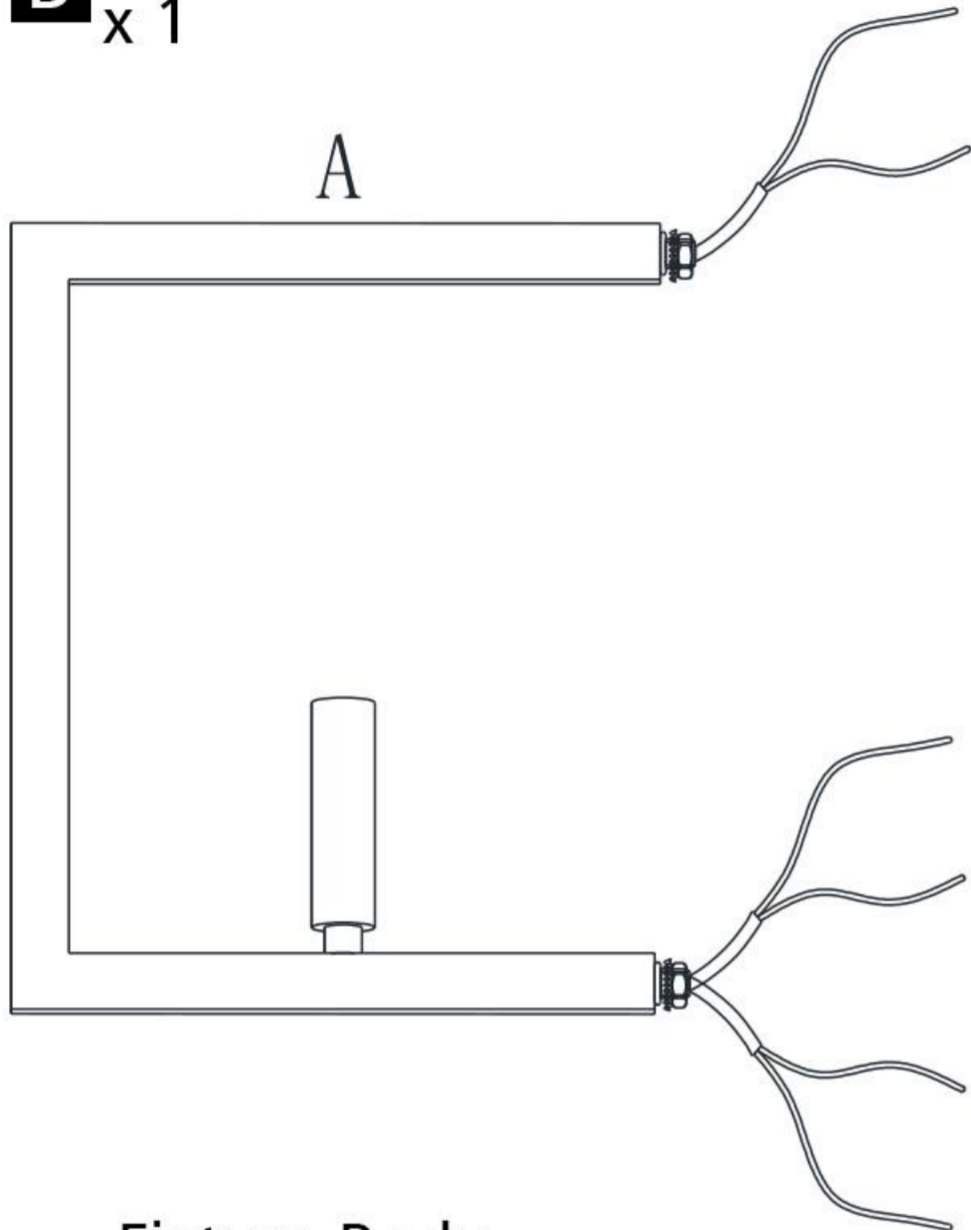
A Ceiling Canopy
x 1



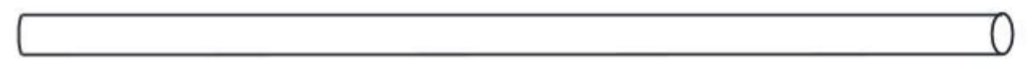
D Short threaded pipe
x 2



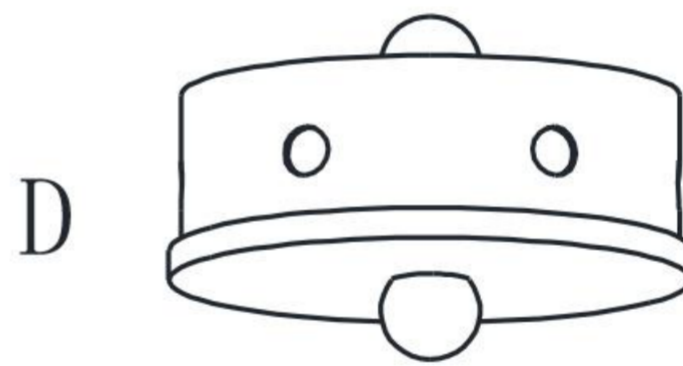
B Fixture Body Both ends with wires
x 1



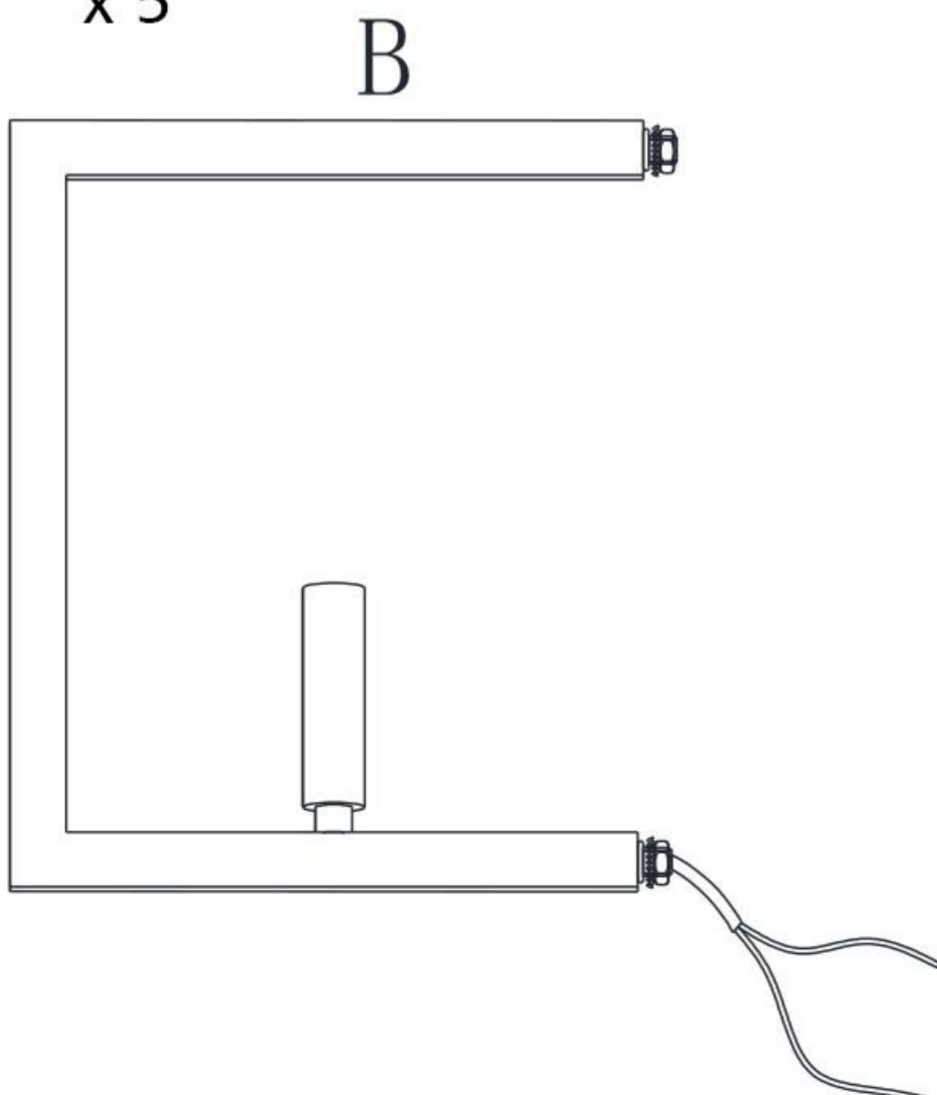
E Long threaded pipe
x 3



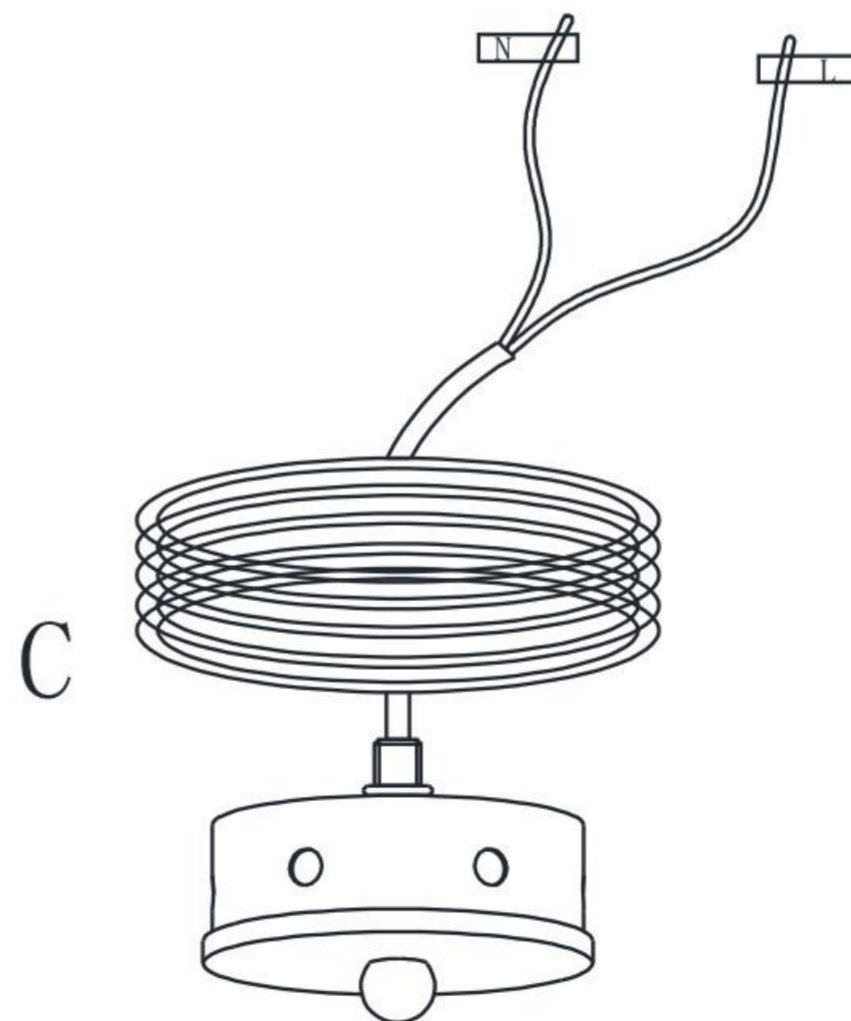
F Threaded Connector
x 1



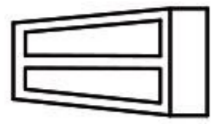
C Fixture Body
One end with wires only
x 5



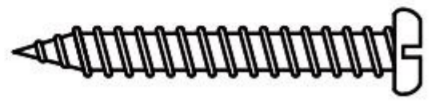
H Threaded Connector with wire
x 1



PACKAGE CONTENTS (PARTS BAG 1)



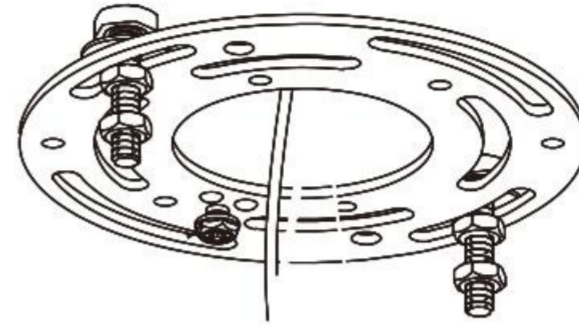
AA Wire Nut
x 4



BB Screw
x 4



CC Wall Anchor
x 4



■ Mounting Bracket
x 1

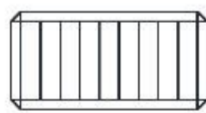


EE Mechanical Screw
x 2

PACKAGE CONTENTS (PARTS BAG 2)



KK 180 degree swivel adapter
x 1



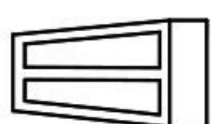
JJ Pipe
x 6



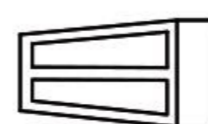
HH Circular metal plate
x 1



YY Ground wire
x 1



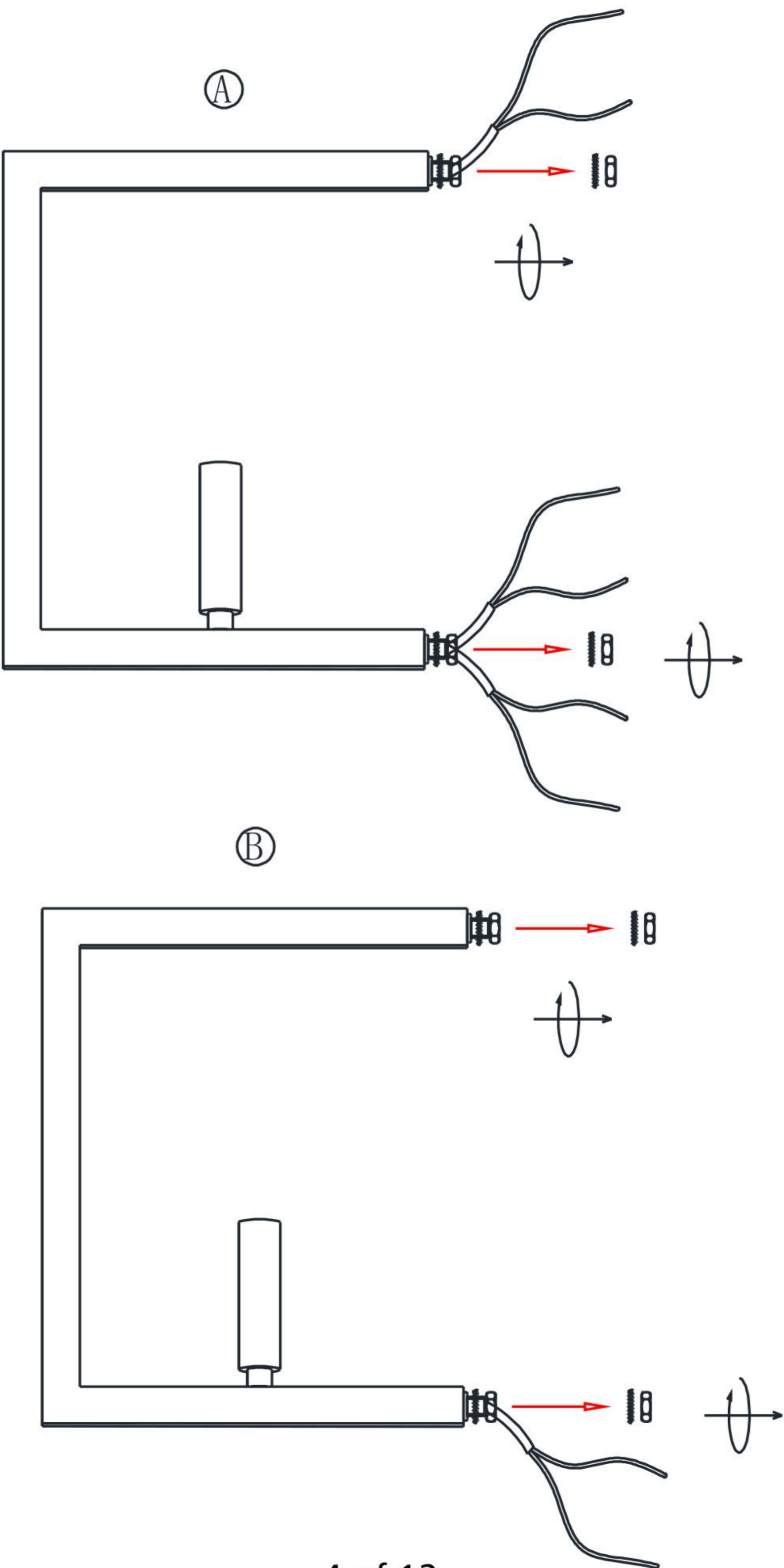
RR Large Wire Nut
x 2



OO Wire Nut for Step 4-2
x 2

INSTALLATION

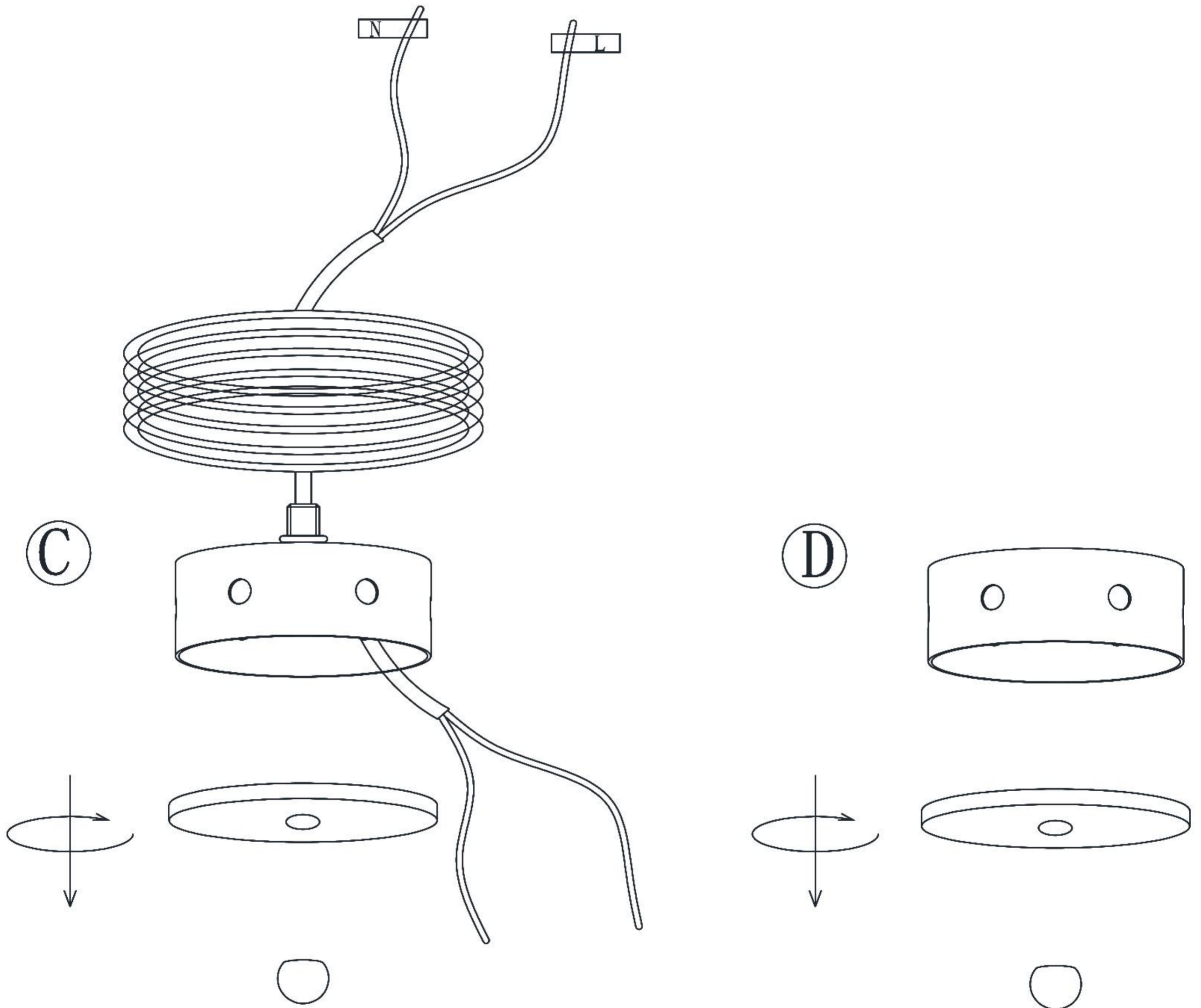
1 Remove the nuts and washers from the fixture bodies. A total of 6 sets of nuts and washers need to be removed.



INSTALLATION

2 Unscrew the nut on the cap and remove the cap from the threaded connector.

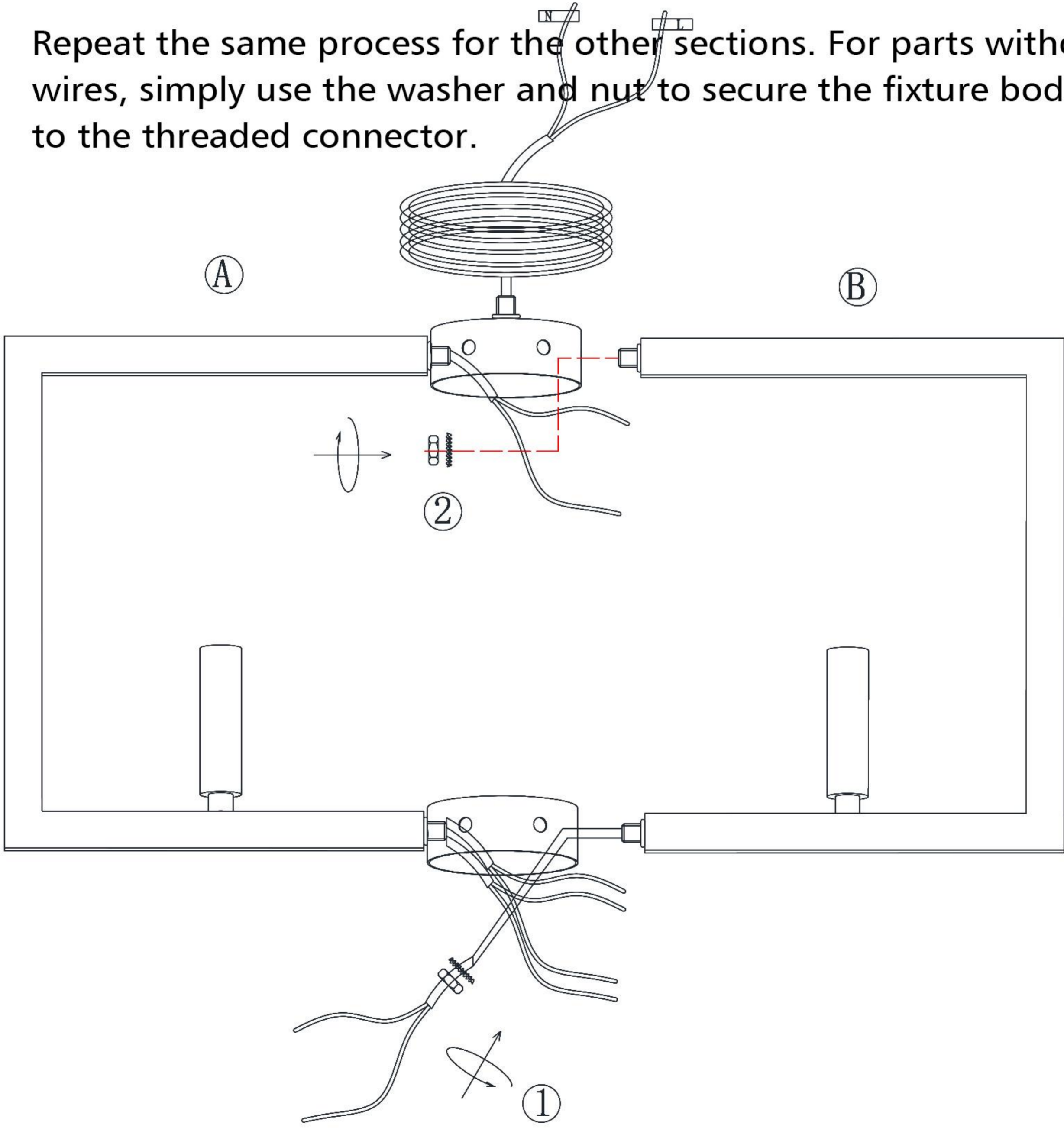
Set it aside for later installation.



INSTALLATION

3 Use the threaded connector without wires for the bottom connection. Align the fixture body so that the wires pass through the hole of the threaded connector (make sure the open end of the lamp holder is facing upward). Then, feed the wires through the washer and nut that were removed earlier, and tighten to secure the fixture body in place.

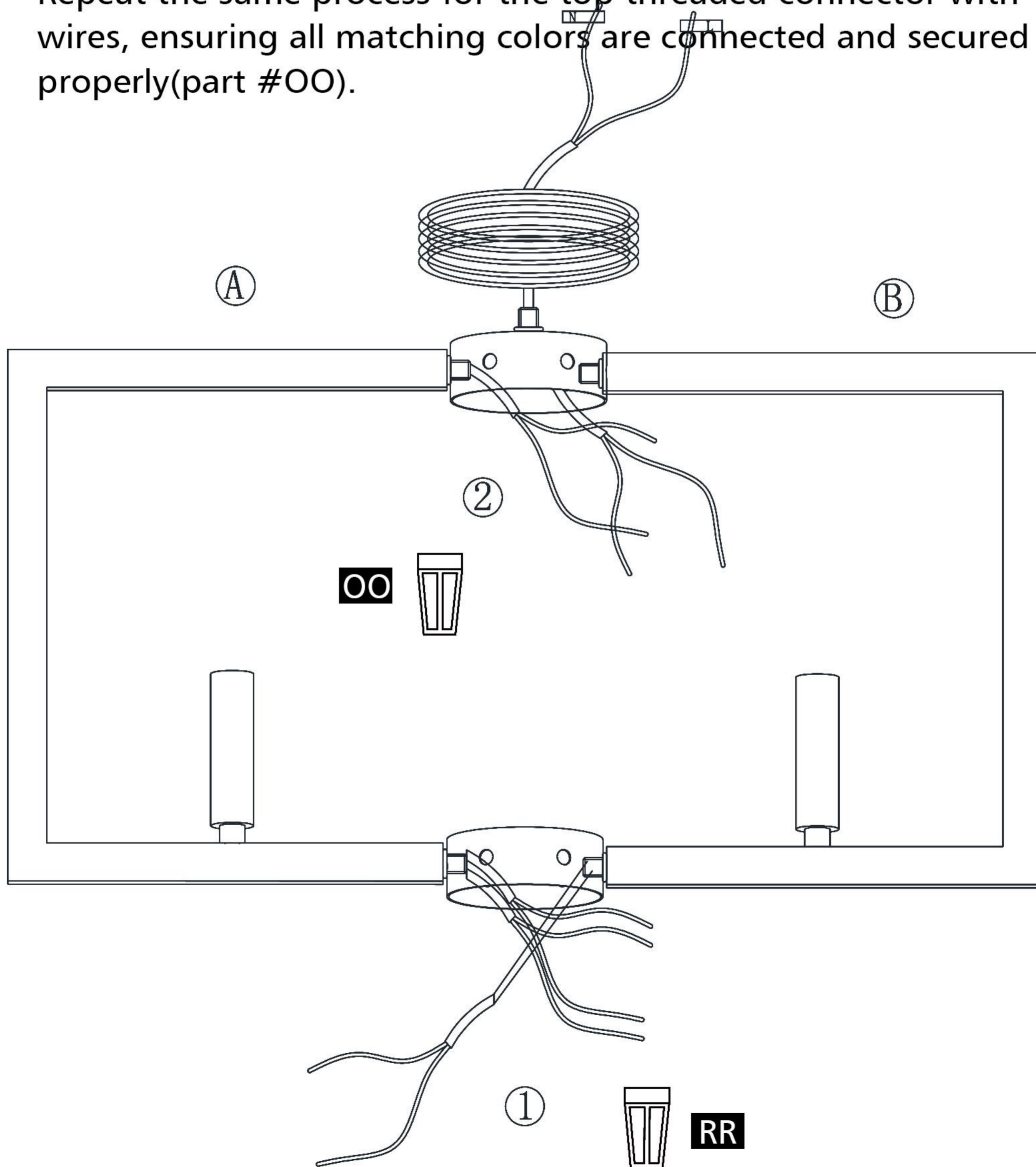
Repeat the same process for the other sections. For parts without wires, simply use the washer and nut to secure the fixture body to the threaded connector.



INSTALLATION

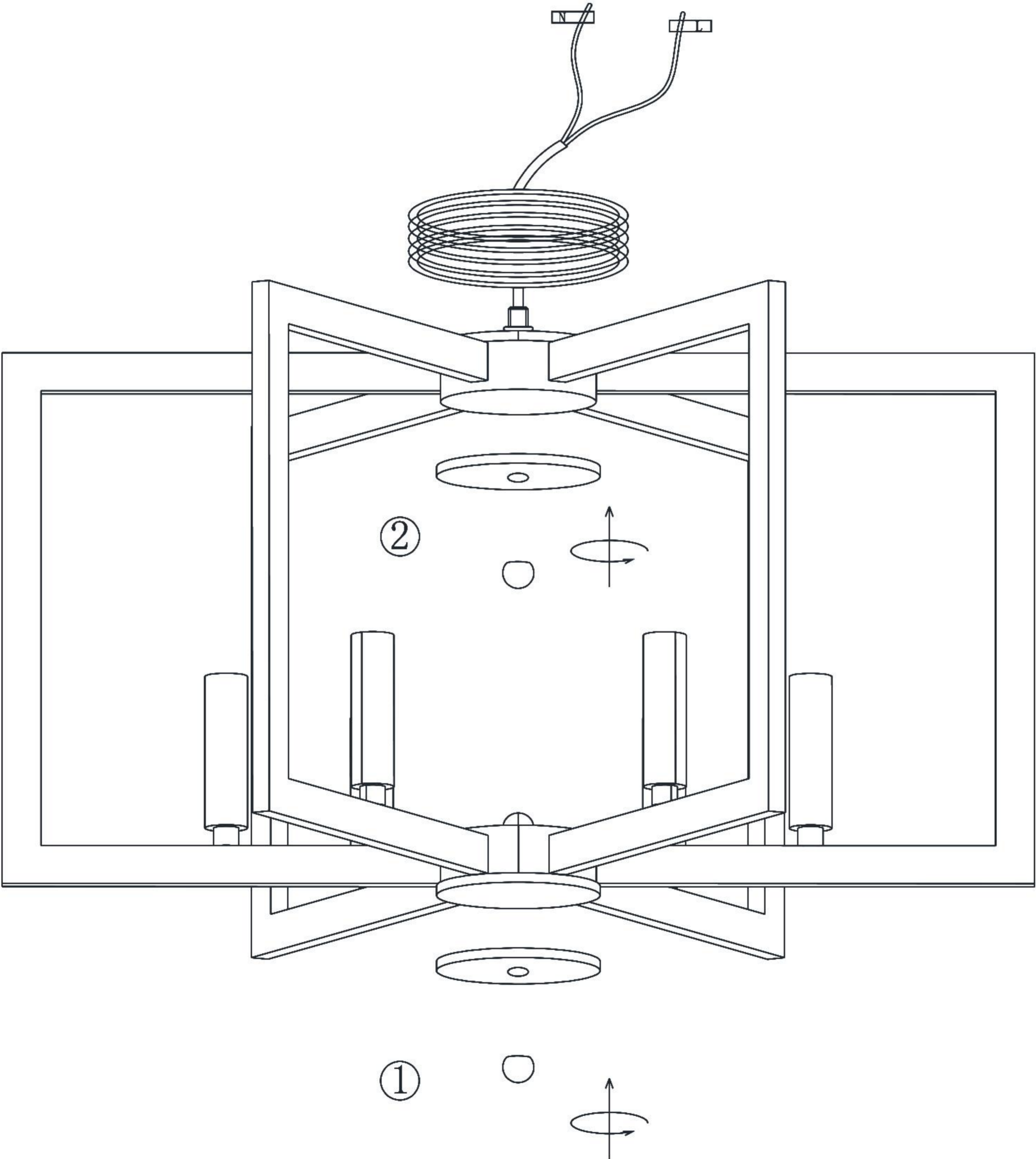
- 4** Connect the 7 wires coming through the bottom threaded connector as follows: match the wire colors—white to white and black to black—and secure each connection with a wire nut.(part #RR, A larger wire nut is required due to the number of wires being connected)

Repeat the same process for the top threaded connector with wires, ensuring all matching colors are connected and secured properly(part #OO).



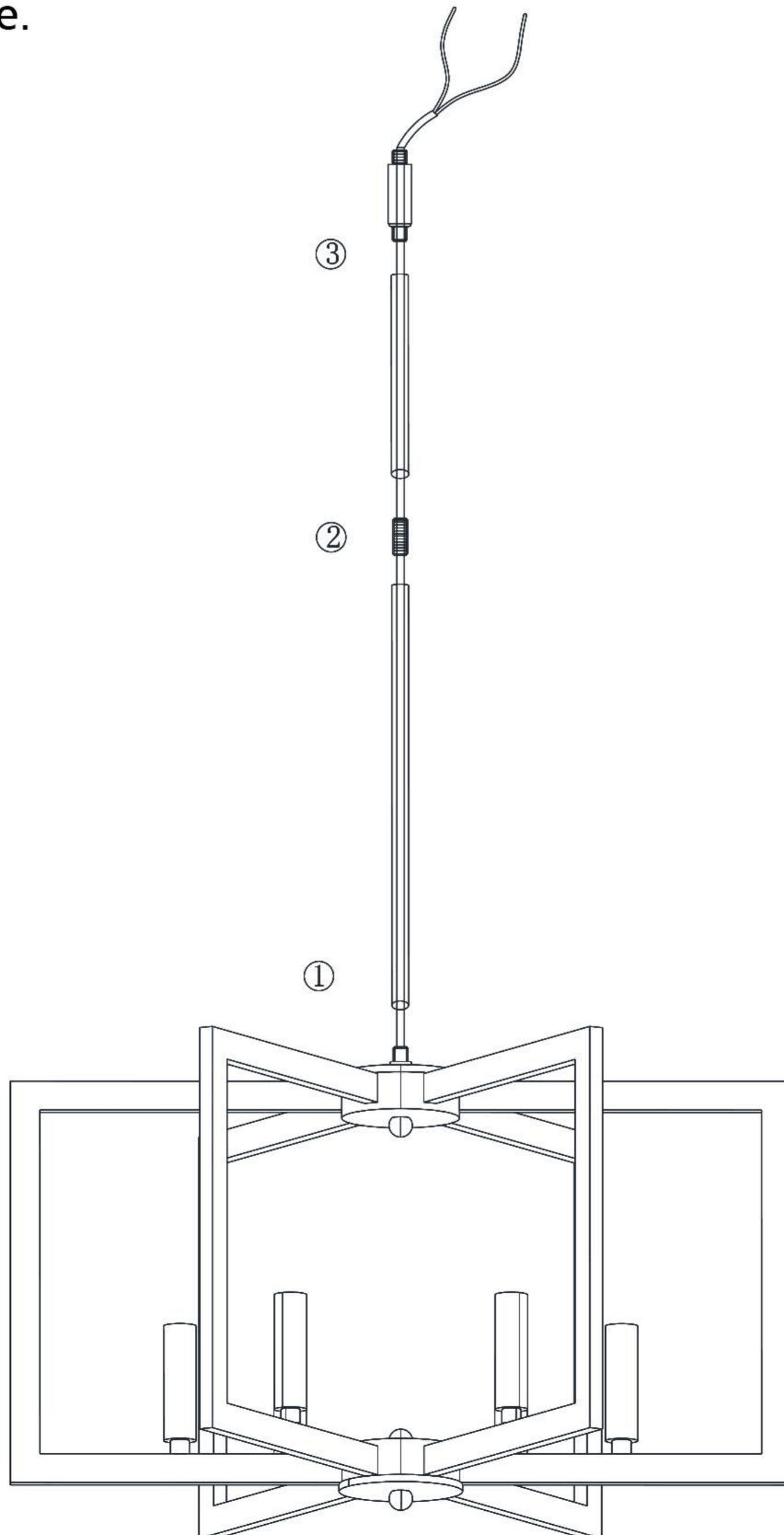
INSTALLATION

5 Reinstall the 2 caps that were removed from the threaded connectors in Step 2. Make sure the wires are tucked neatly inside the threaded connectors before securing the caps.



INSTALLATION

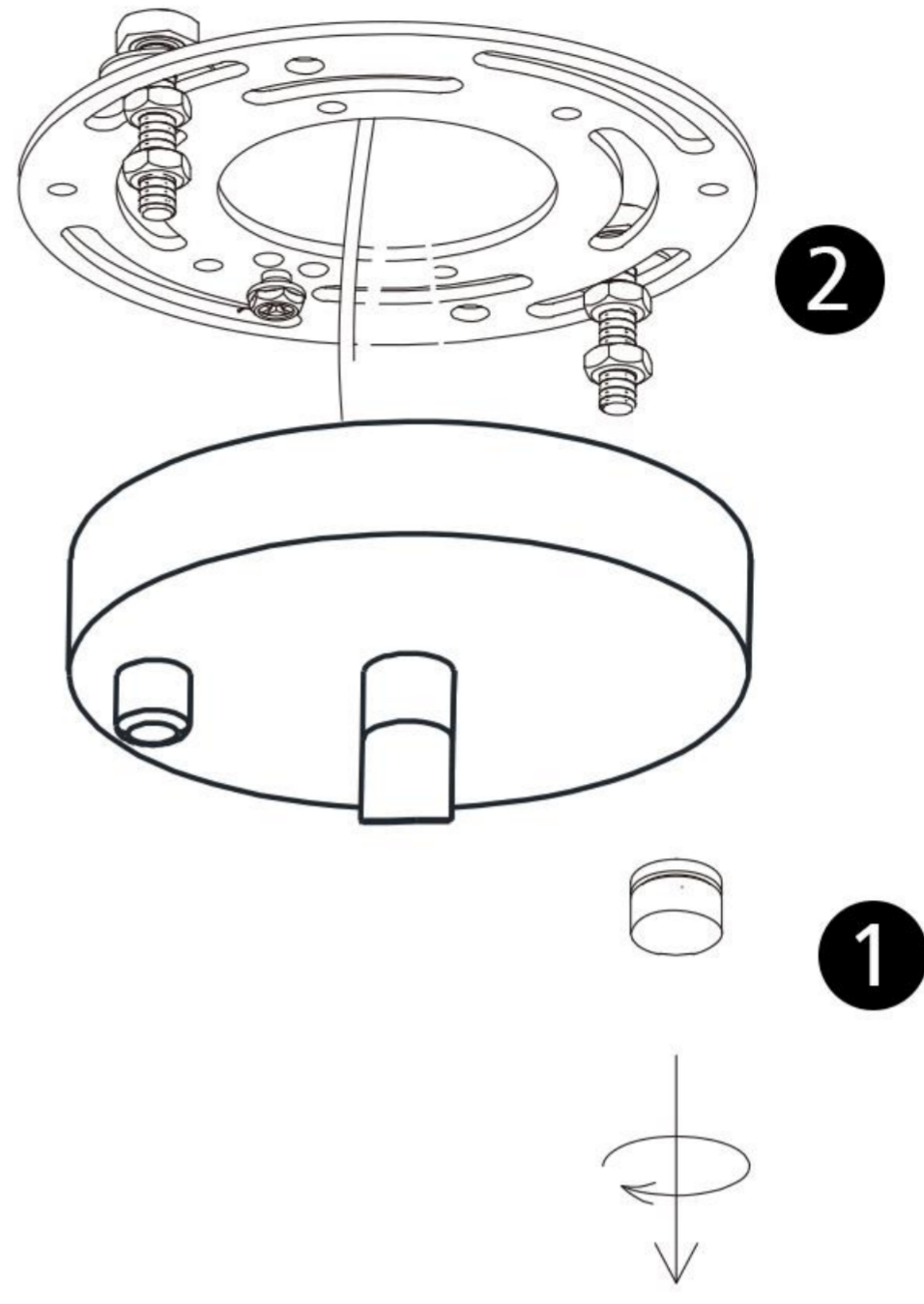
- 6** 1. According to your desired hanging height select a suitable long or short threaded pipe and screw it onto the Threaded Connector with the wire.
2. If a longer threaded pipe is needed, connect the selected threaded pipes together using the pipe connector (part #JJ).
3. After determining the desired length of the threaded pipe, attach the 180-degree swivel adapter (part #KK) to the top. Screw the adjustable end of the swivel adapter into the threaded pipe.



INSTALLATION

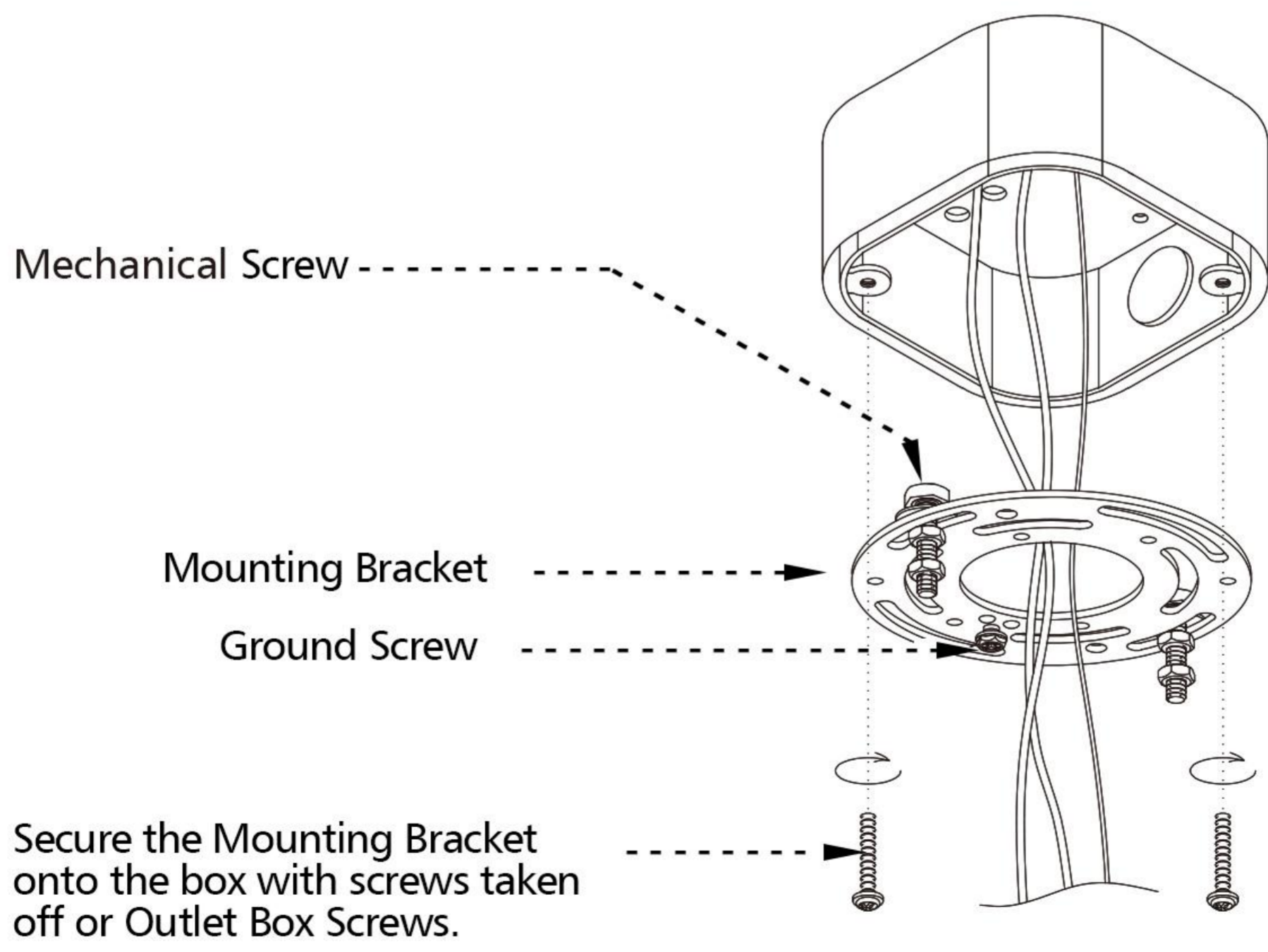
7

- 1. Unscrew the nuts **1** on both sides of the ceiling canopy.
- 2. Take out the hanging bracket. **2**



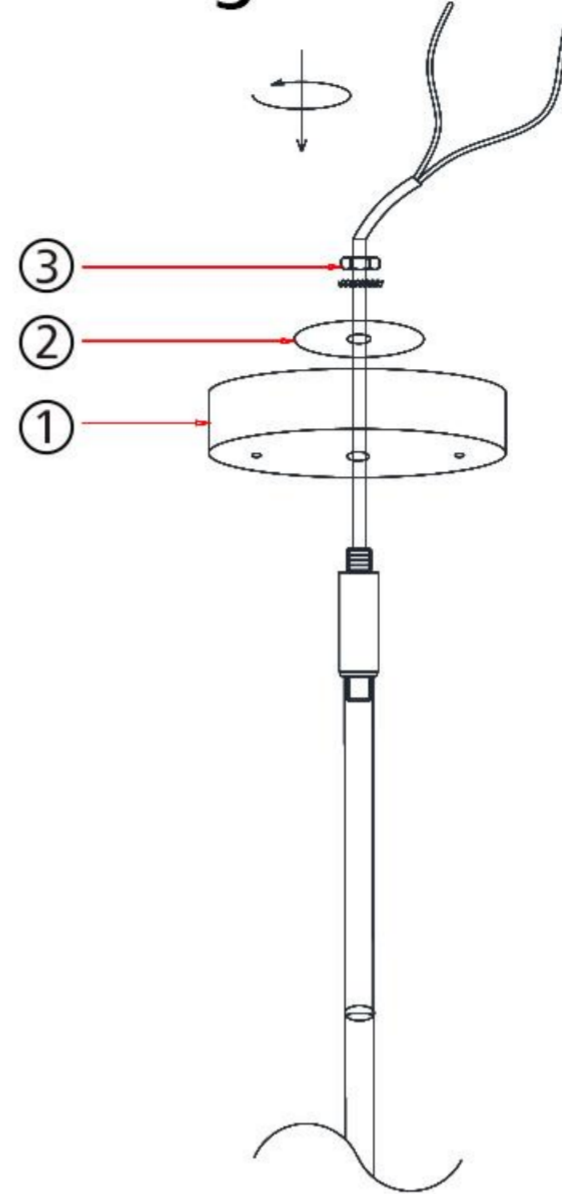
8

Install the Mounting Bracket

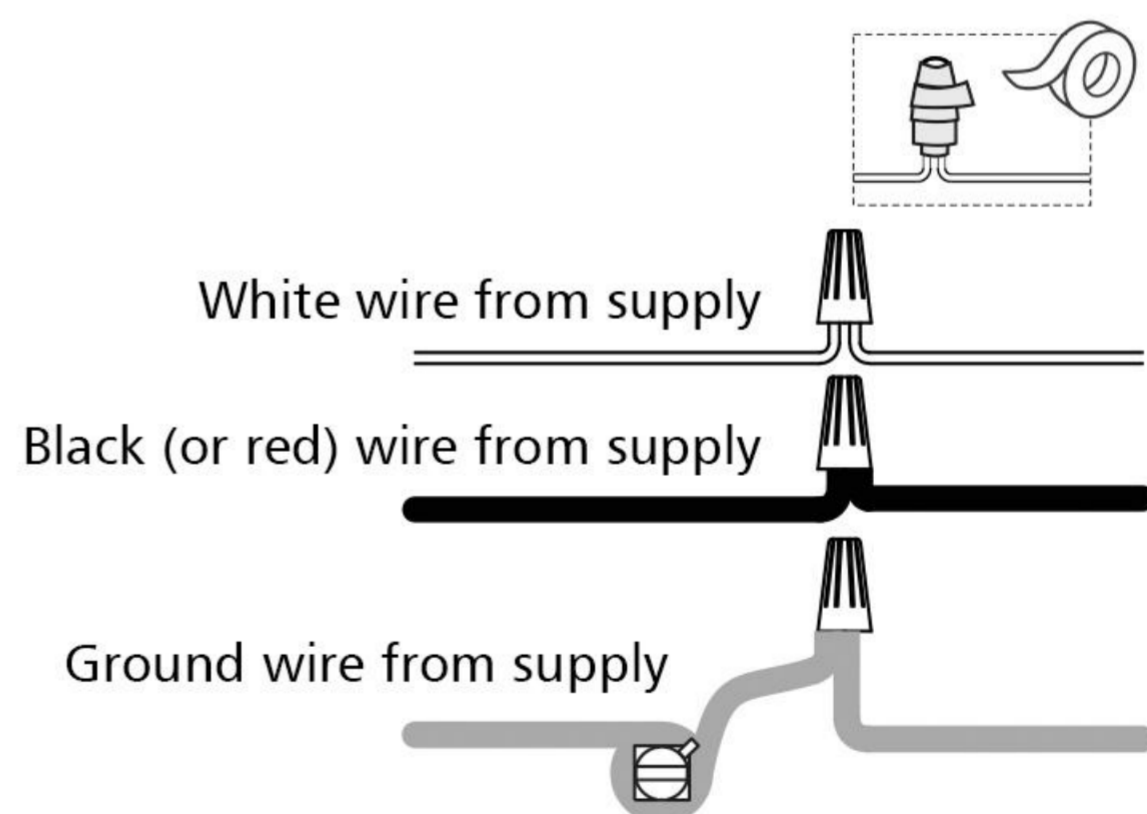
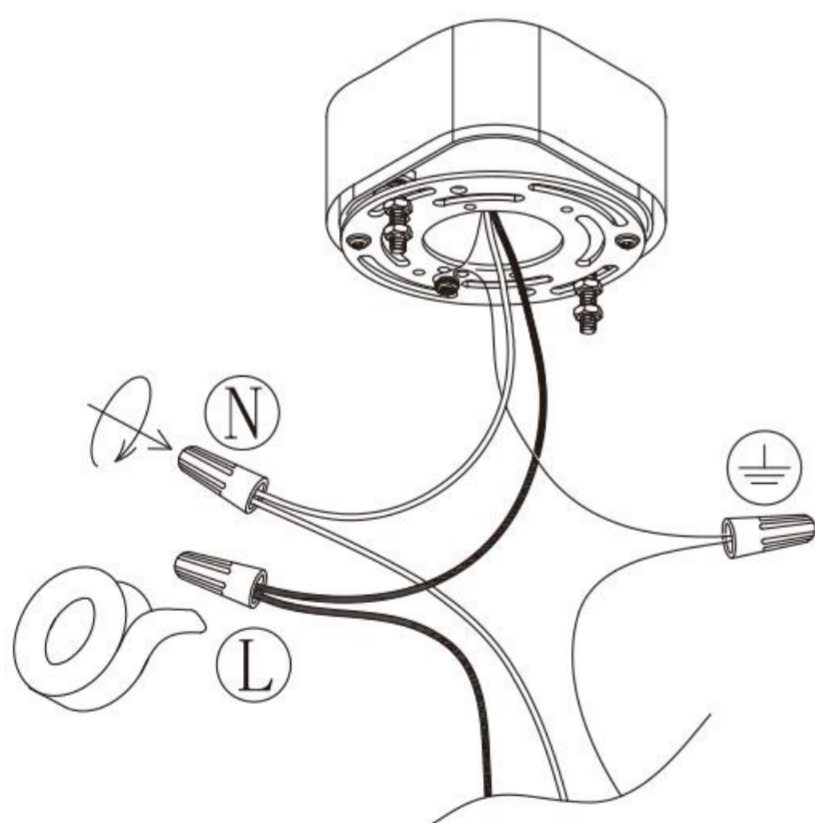


INSTALLATION

1. Pass the wire through the ceiling canopy.
2. Pass the wire through the circular metal plate.
3. Pass the wire through the ground wire.
4. Pass the wire through the washer and nut, then tighten them onto the 180-degree swivel adapter.



10 Wiring



Step 1: Connect the wires from the fixture to the house supply wires nuts, ground wire (green, green/yellow, or bare) to ground wire, neutral wire (white) to neutral wire, and hot wire (black) to hot wire. Wrap the connection with electrical tape.

Step 2: Spread apart the wires so that the hot wires are on one side of the outer box and the neutral wires are on the other side.

INSTALLATION

- 11 1. Fix the nut unscrewed from the ceiling - mounted suction plate to the mounting bracket on the ceiling canopy.
- 2. Twist the E12 bulb to turn on the light.

