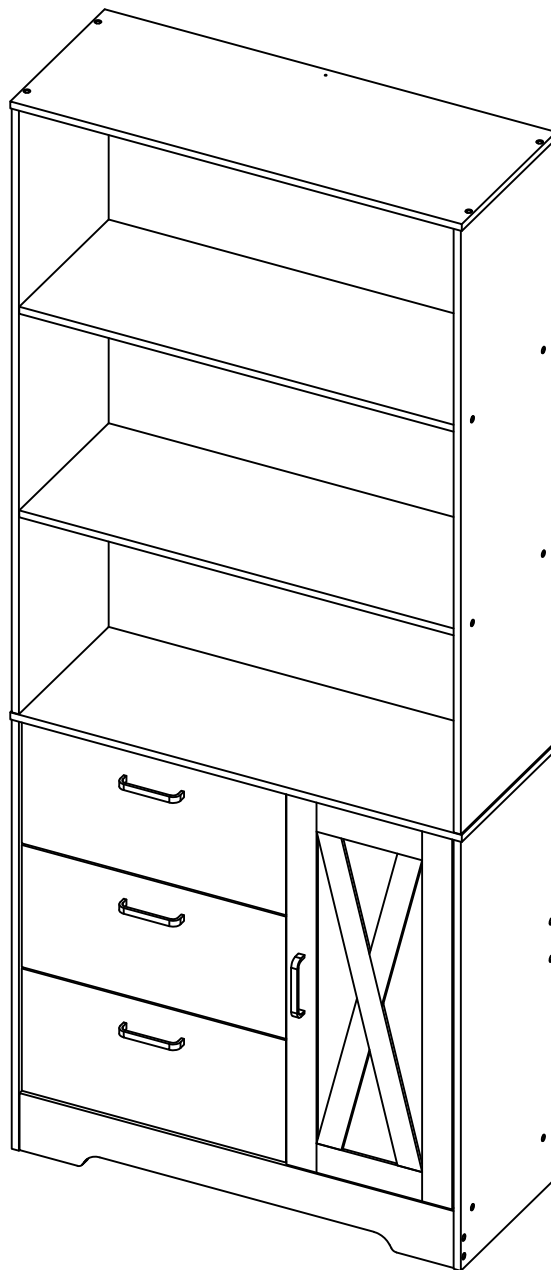

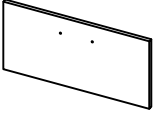


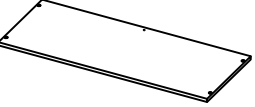


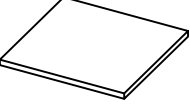

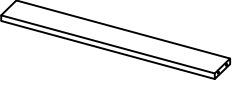
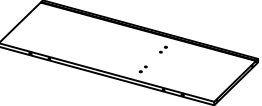
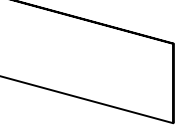
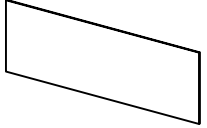
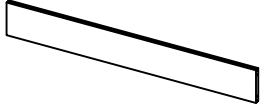

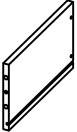
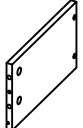
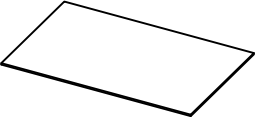

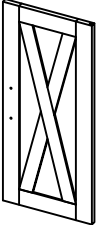


Installation Instruction






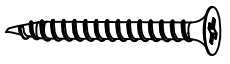





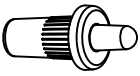
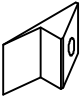
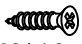
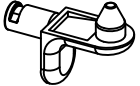




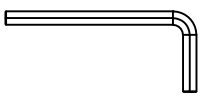
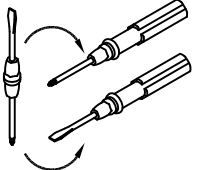
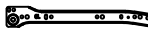
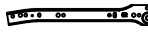


Please don't tighten the screws completely and go back later for a final tightening of all the screws after pieces are aligned with each other.

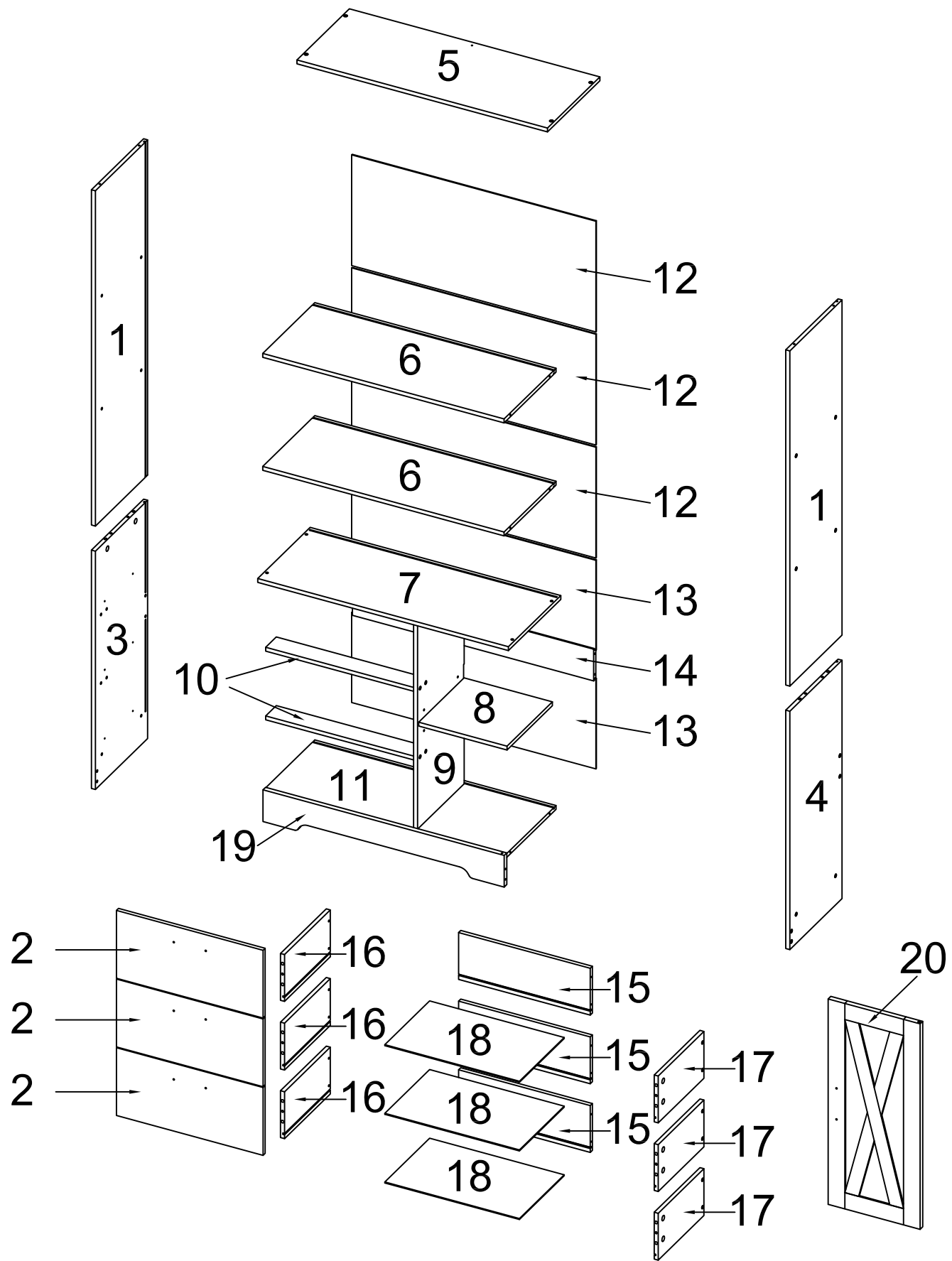


HARDWARE LIST

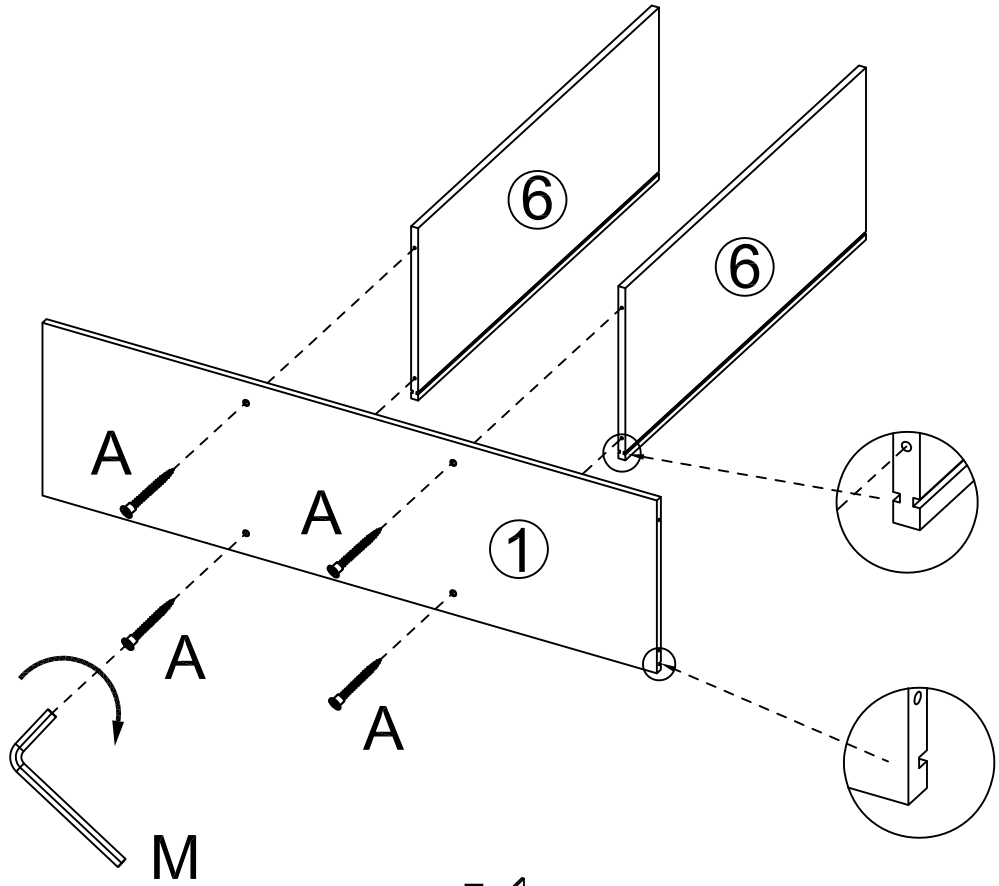
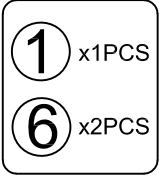
<p>1</p>  <p>2PCS</p>	<p>2</p>  <p>3PCS</p>	<p>3</p>  <p>1PCS</p>	<p>4</p>  <p>1PCS</p>
<p>5</p>  <p>1PCS</p>	<p>6</p>  <p>2PCS</p>	<p>7</p>  <p>1PCS</p>	<p>8</p>  <p>1PCS</p>
<p>9</p>  <p>1PCS</p>	<p>10</p>  <p>2PCS</p>	<p>11</p>  <p>1PCS</p>	<p>12</p>  <p>3PCS</p>
<p>13</p>  <p>2PCS</p>	<p>14</p>  <p>1PCS</p>	<p>15</p>  <p>3PCS</p>	<p>16</p>  <p>3PCS</p>
<p>17</p>  <p>3PCS</p>	<p>18</p>  <p>3PCS</p>	<p>19</p>  <p>1PCS</p>	<p>20</p>  <p>1PCS</p>

PARTA LIST

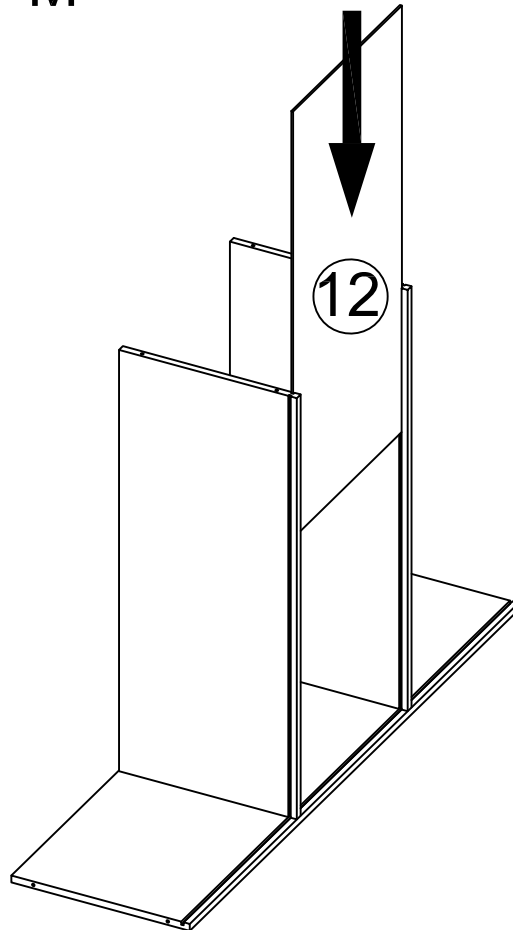
<p>A</p>  <p>M5*45mm 38+1PCS</p>	<p>B</p>  <p>M6*32mm 20+1PCS</p>	<p>C</p>  <p>20+1PCS</p>	<p>D</p>  <p>ø6*30mm 16+1PCS</p>
<p>E</p>  <p>M3.5*12mm 26+2PCS</p>	<p>F</p>  <p>ø4*35mm 12+1PCS</p>	<p>G1  1PCS G2  1PCS G3  M3*14mm 2PCS</p>	<p>H1  4PCS H1  M4*15mm 8PCS</p>
<p>I</p>  <p>2PCS</p>	<p>J1  20PCS J1  M3*16mm 20PCS</p>	<p>K</p>  <p>4PCS</p>	<p>L1  1PCS L2  M4*12mm 1PCS L3  M4*35mm 1PCS L4  1PCS</p>
<p>M</p>  <p>M4 1PCS</p>	<p>N</p>  <p>1SETS</p>	<p>CL  3PCS CR  3PCS DL  3PCS DR  3PCS</p>	



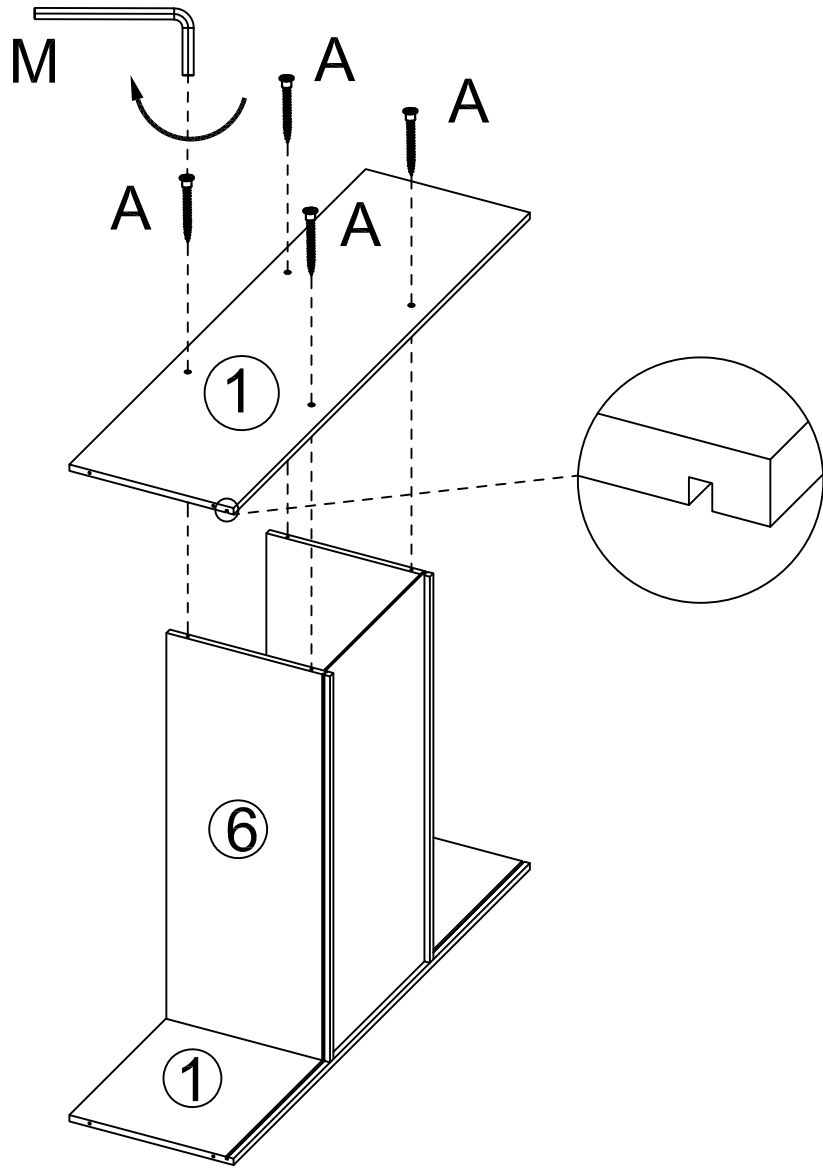
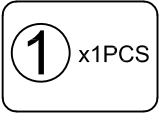
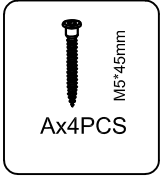
1



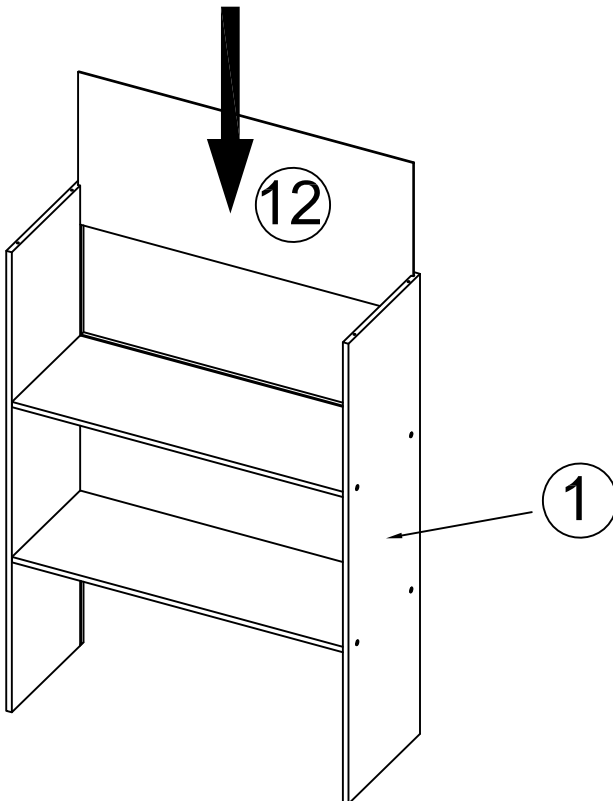
2



3

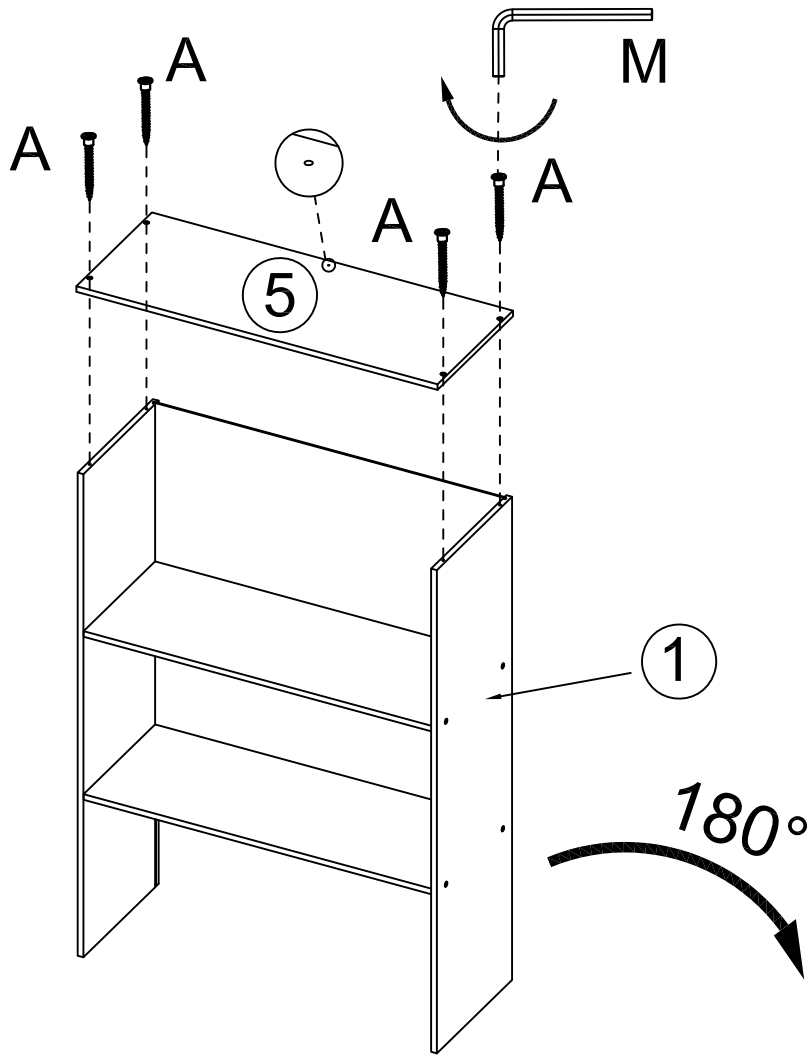
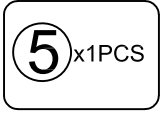
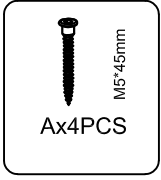


4

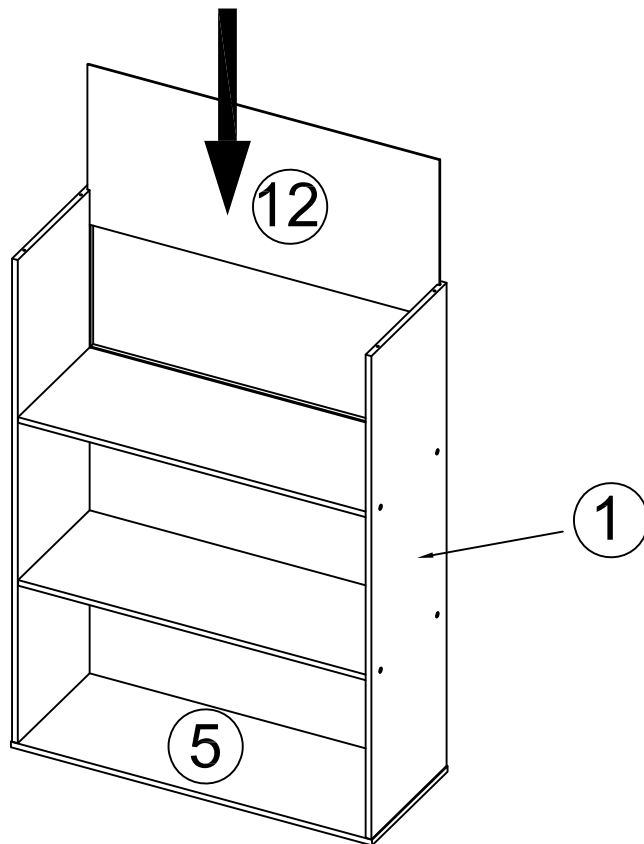


6.

5

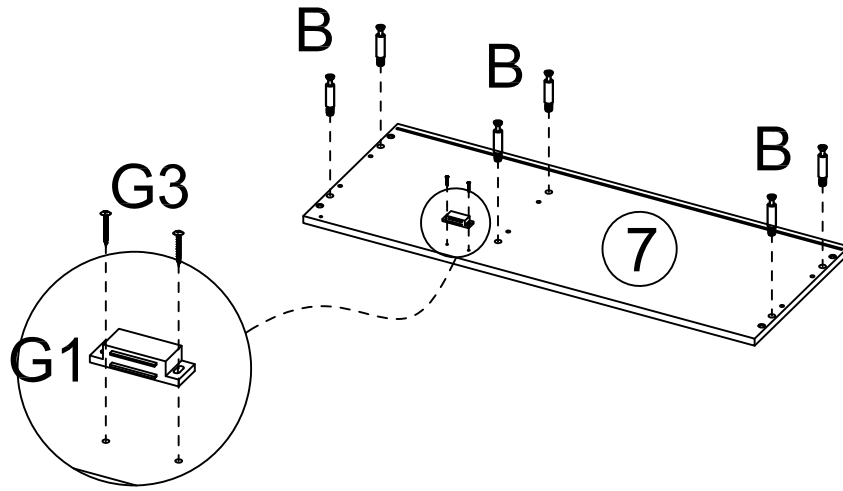
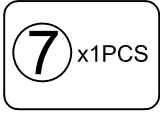
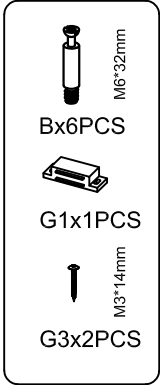


6

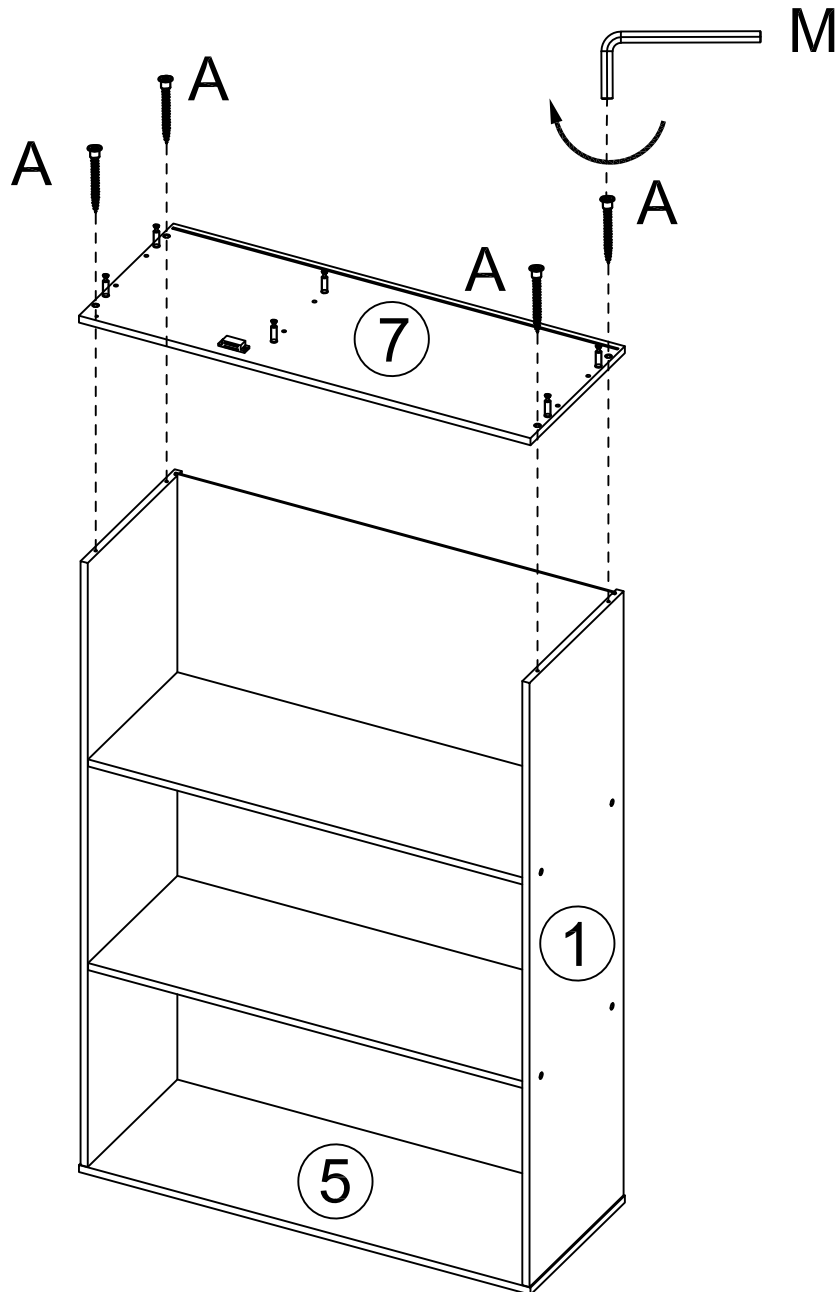
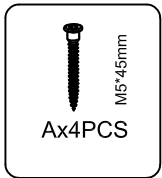


7.

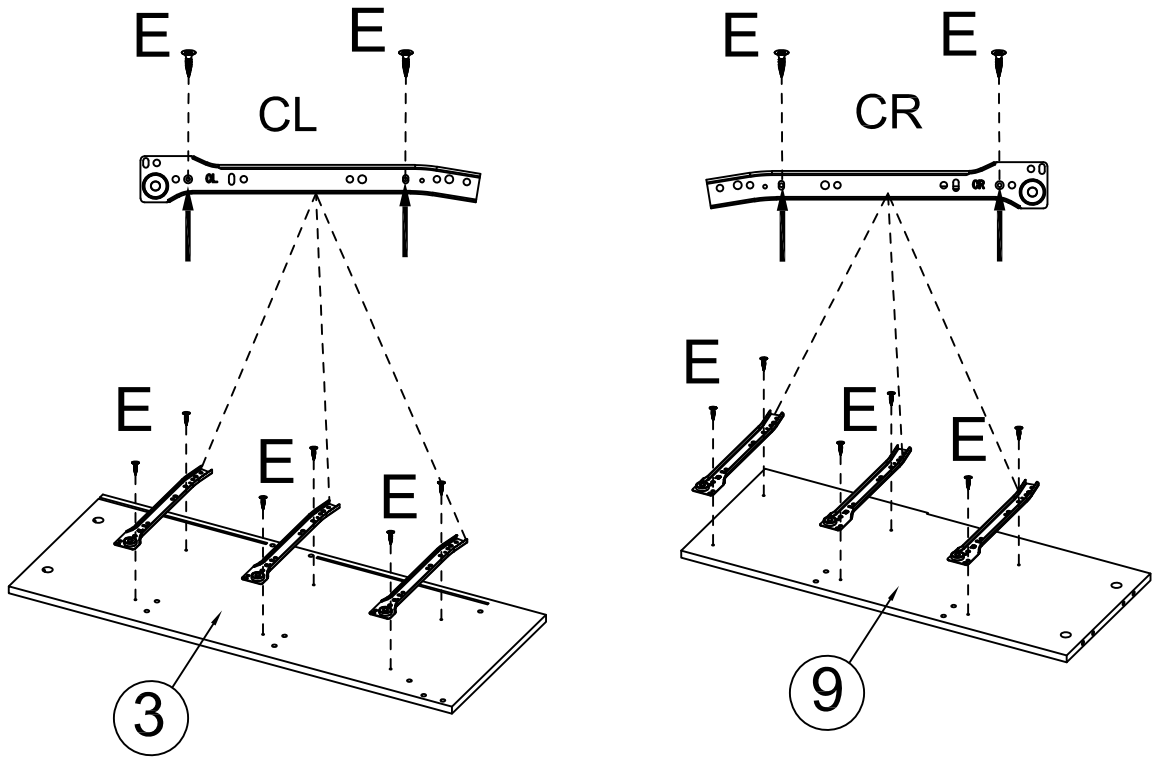
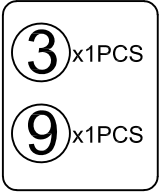
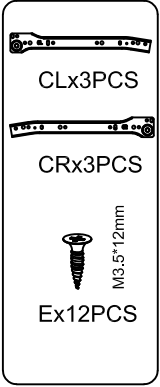
7



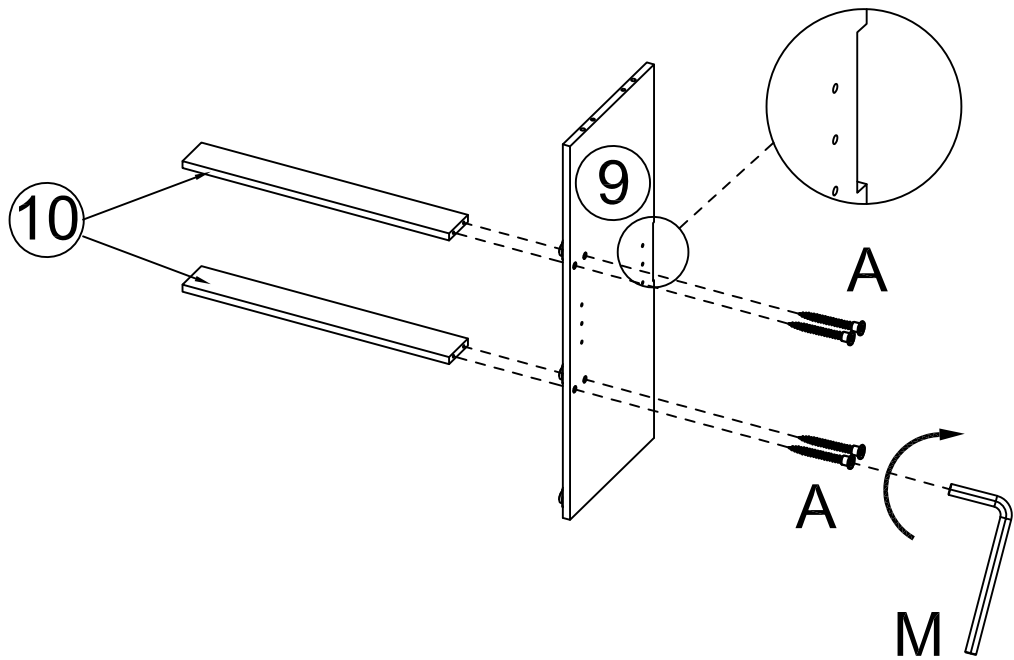
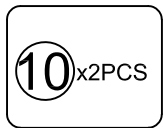
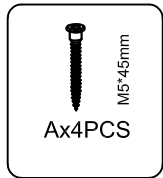
8



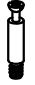
9





10



11

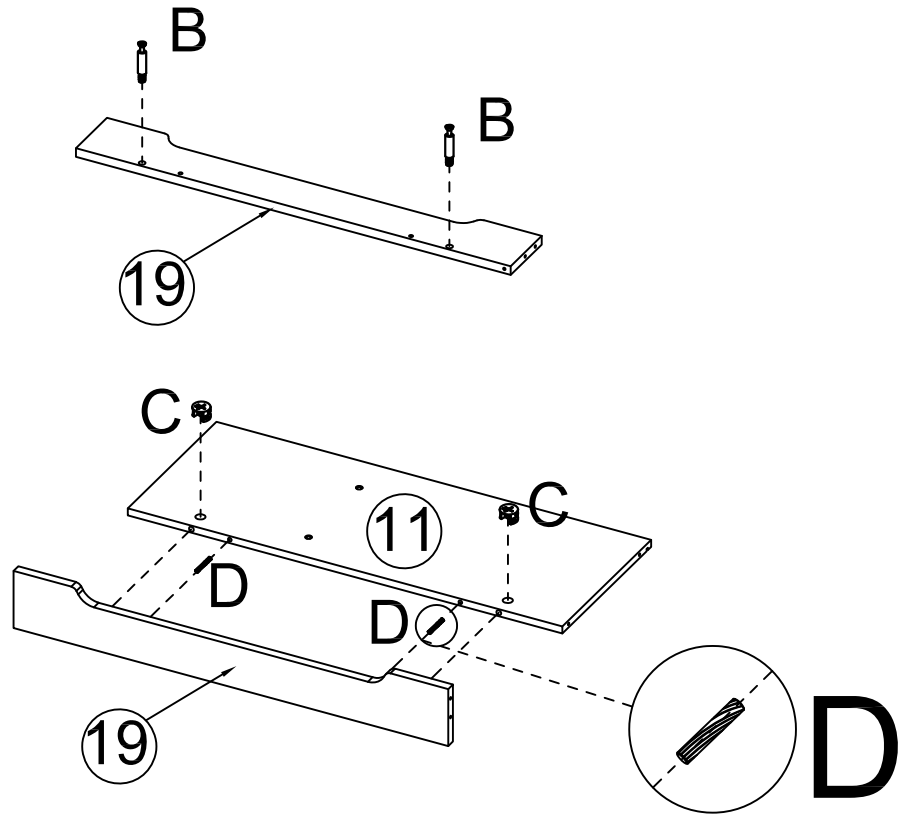
 M6*32mm
Bx2PCS

 Cx2PCS


 Dx2PCS
ø6*30mm


11x1PCS

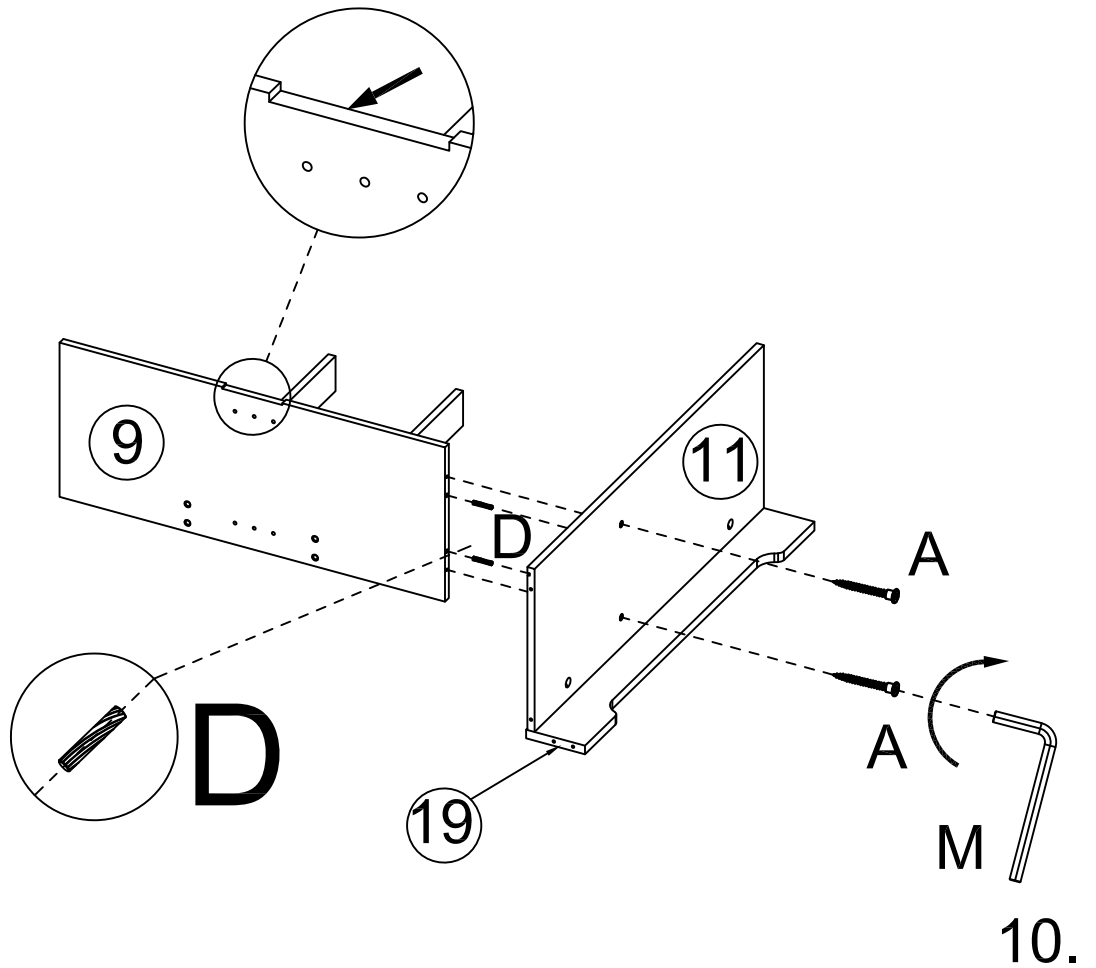
19x1PCS



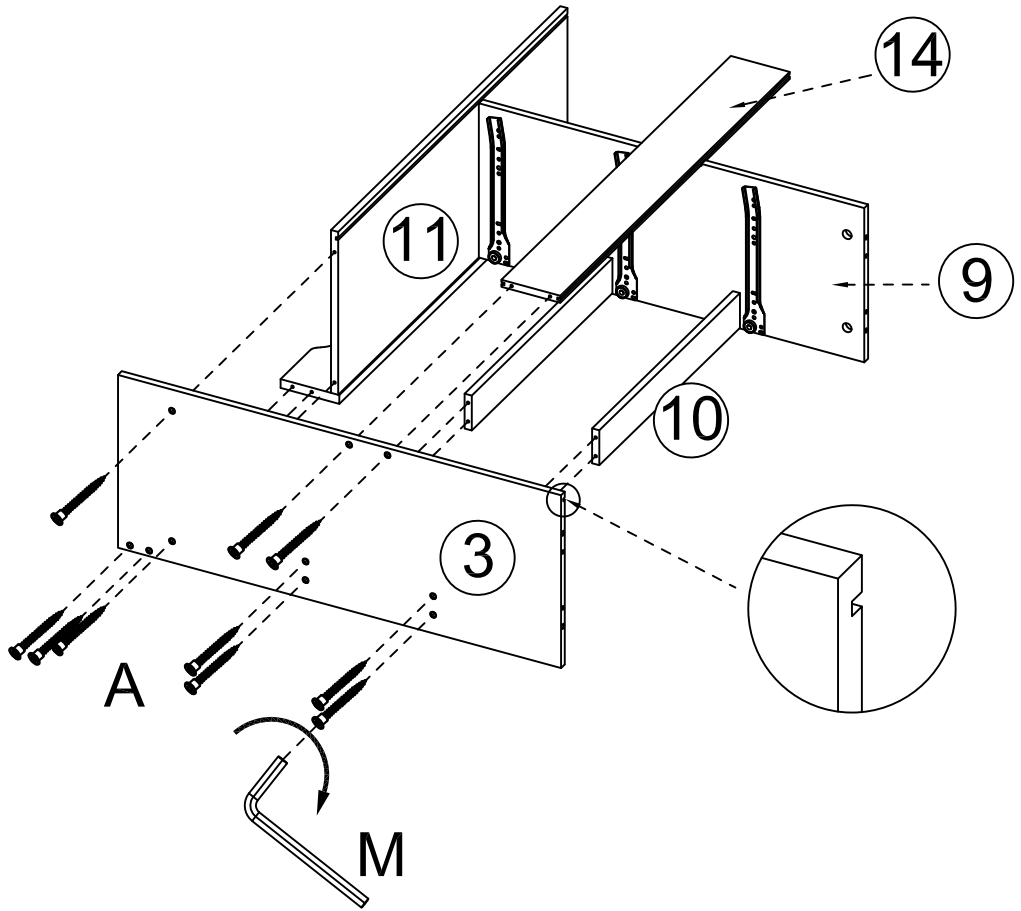
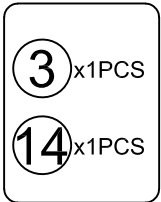
12

 M5*4.5mm
Ax2PCS

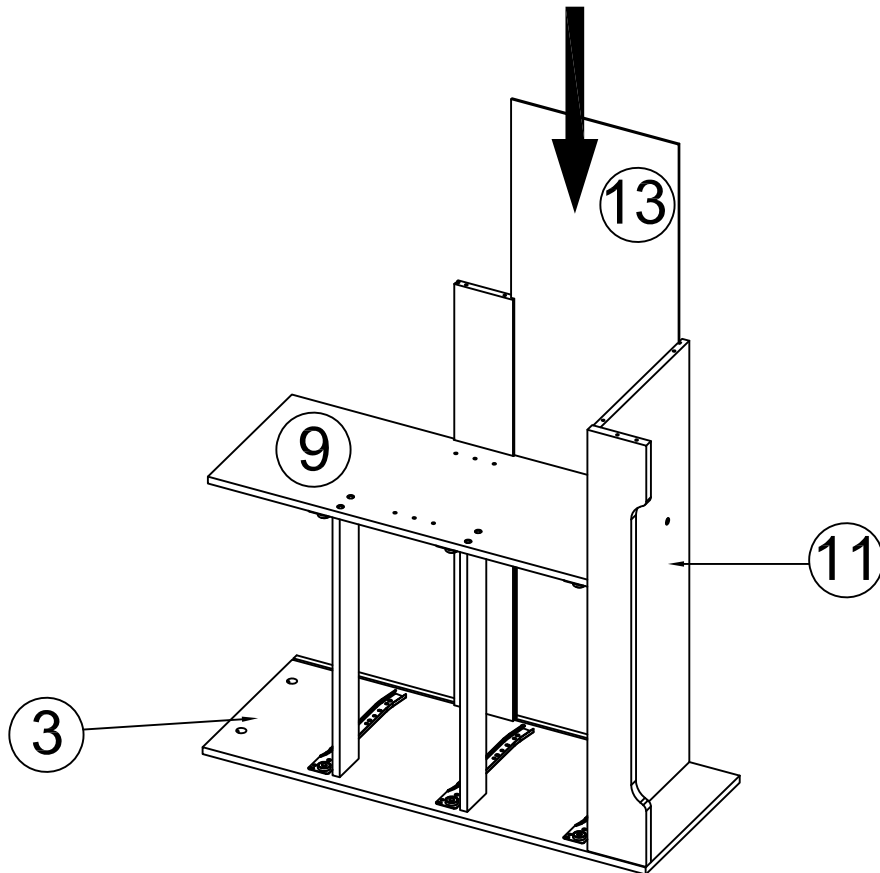
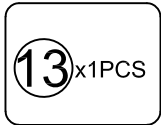
 Dx2PCS
ø6*30mm



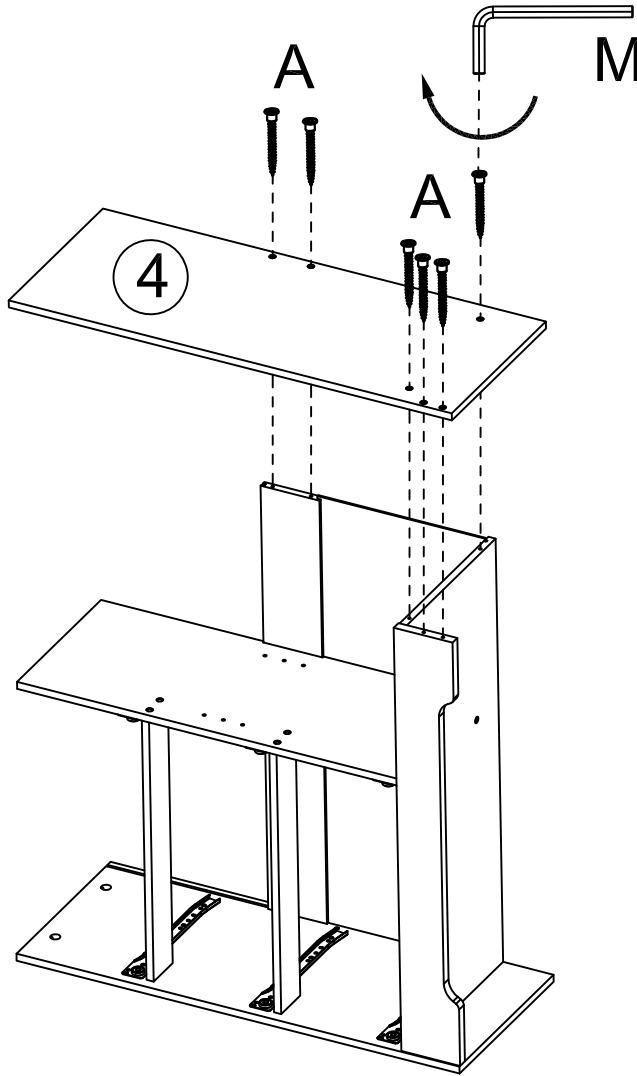
13



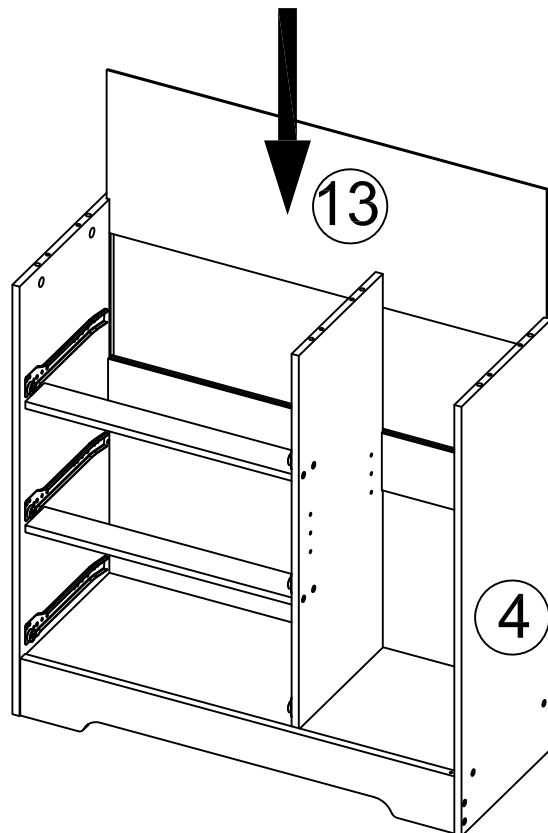
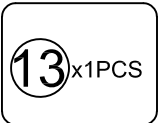
14



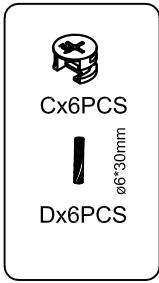
15



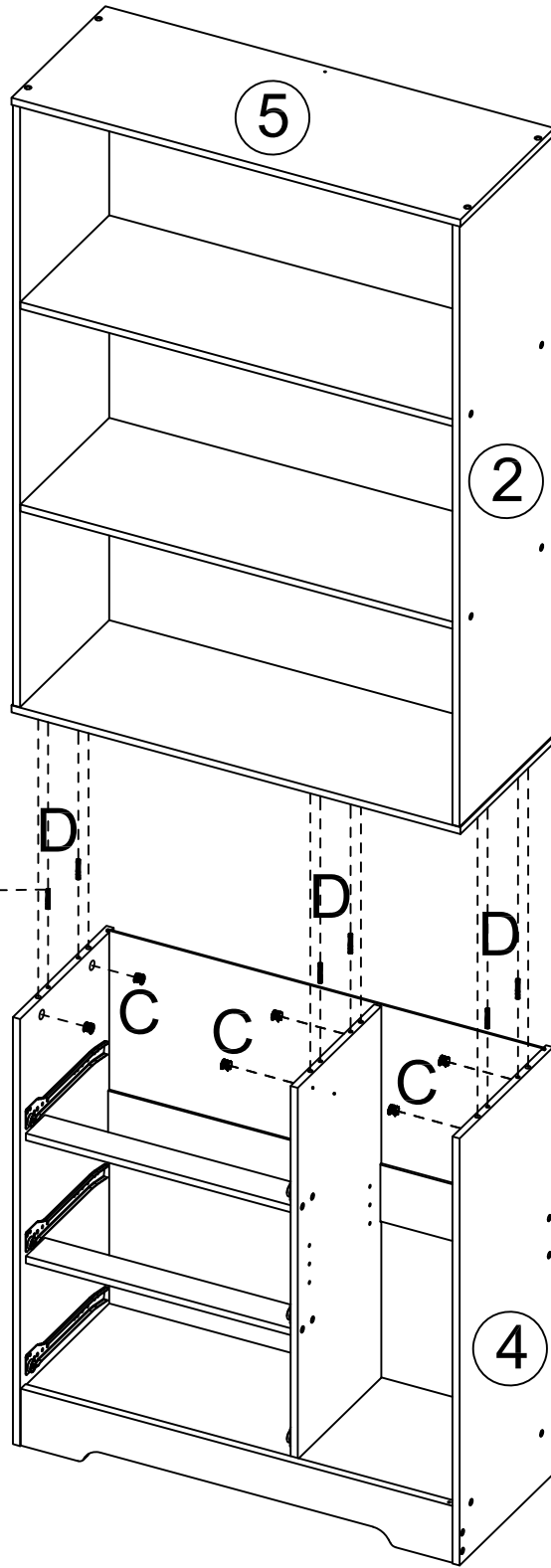
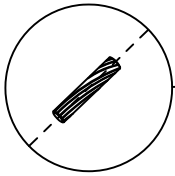
16



17



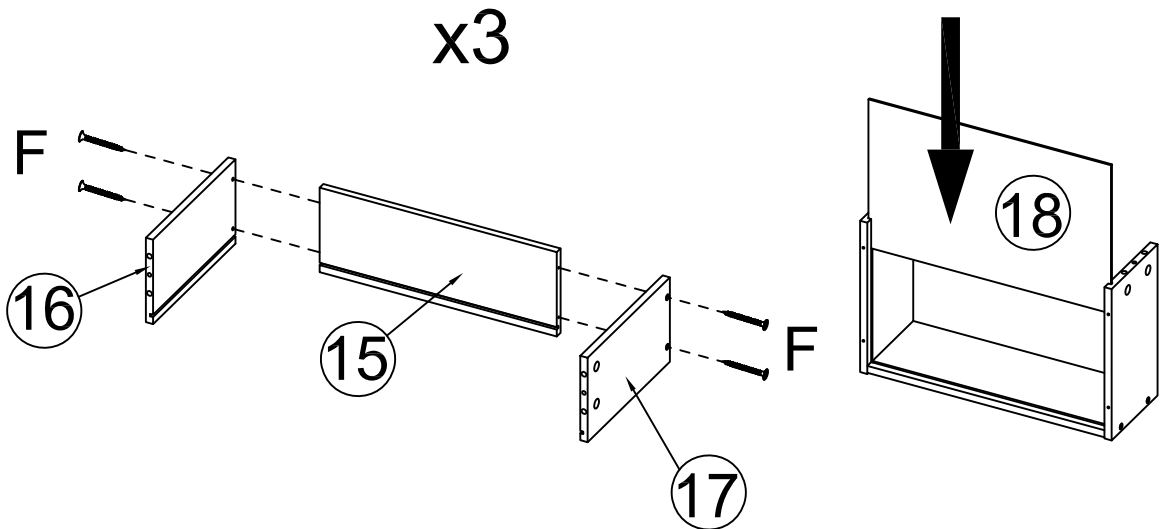
D



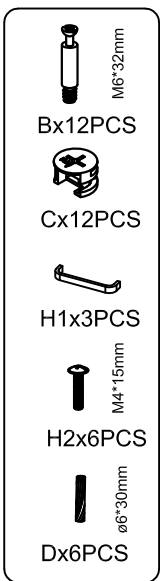
18



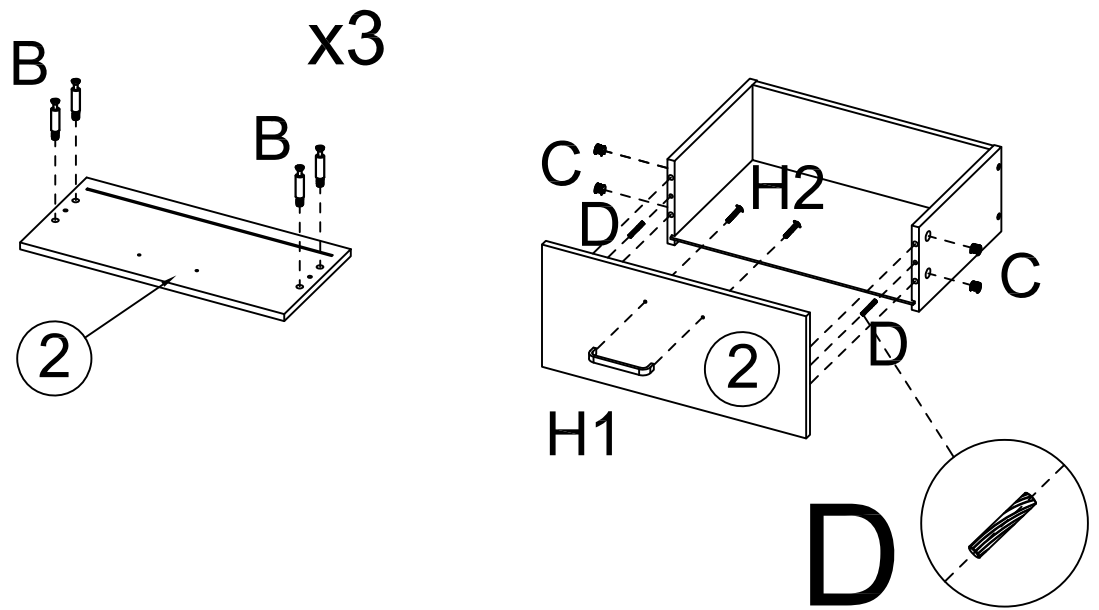
- 15 x3PCS
- 16 x3PCS
- 17 x3PCS
- 18 x3PCS



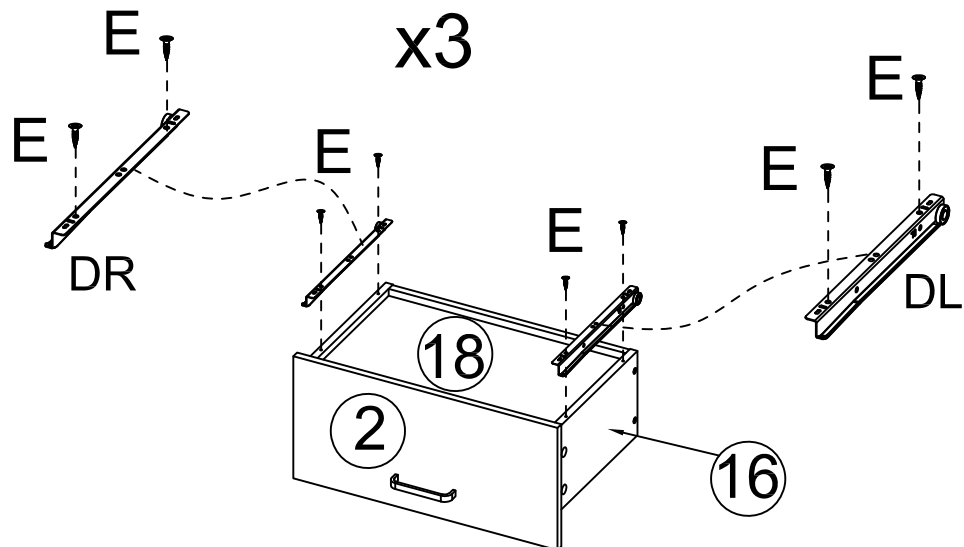
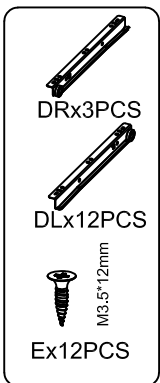
19

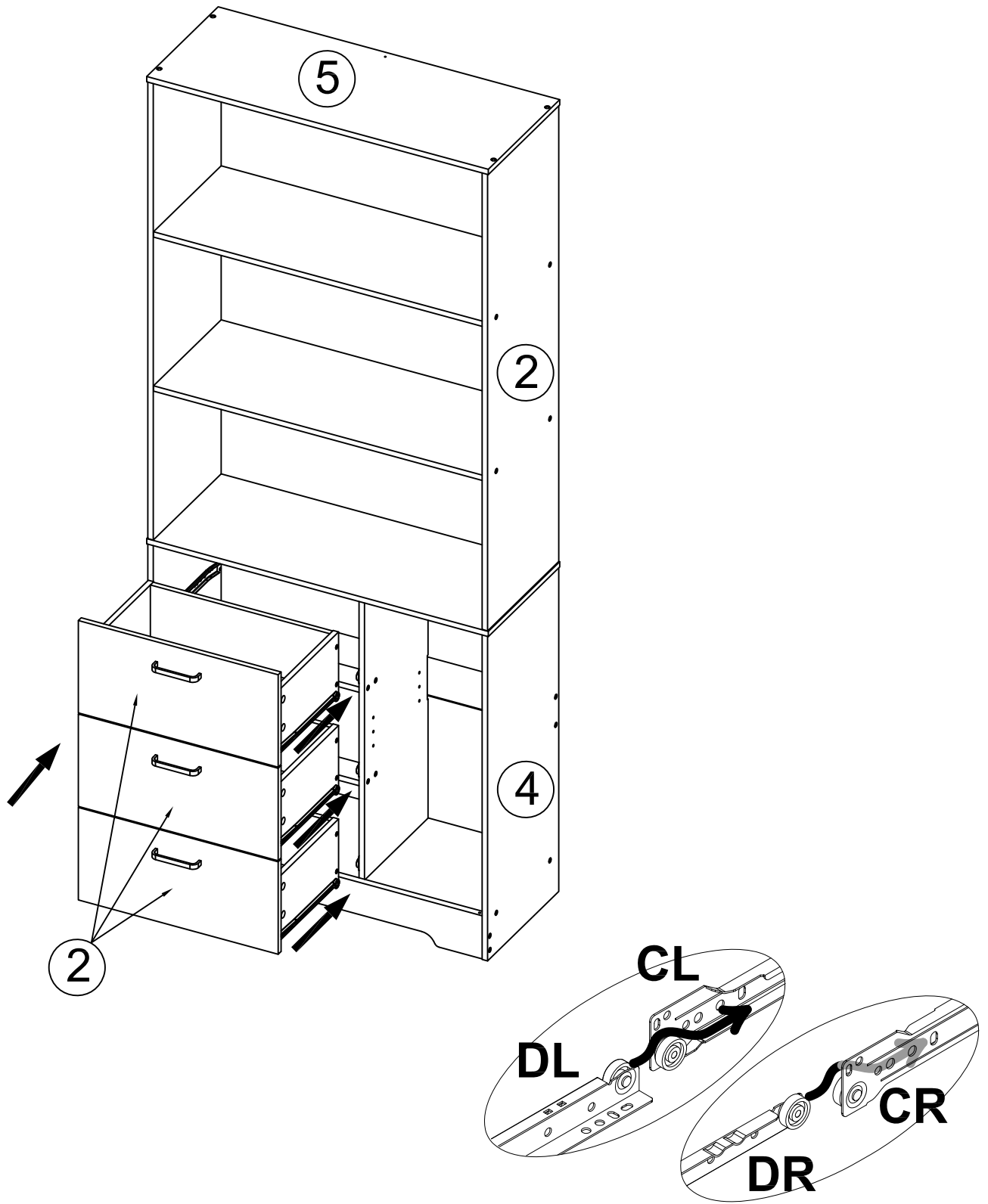


- 2 x3PCS



20

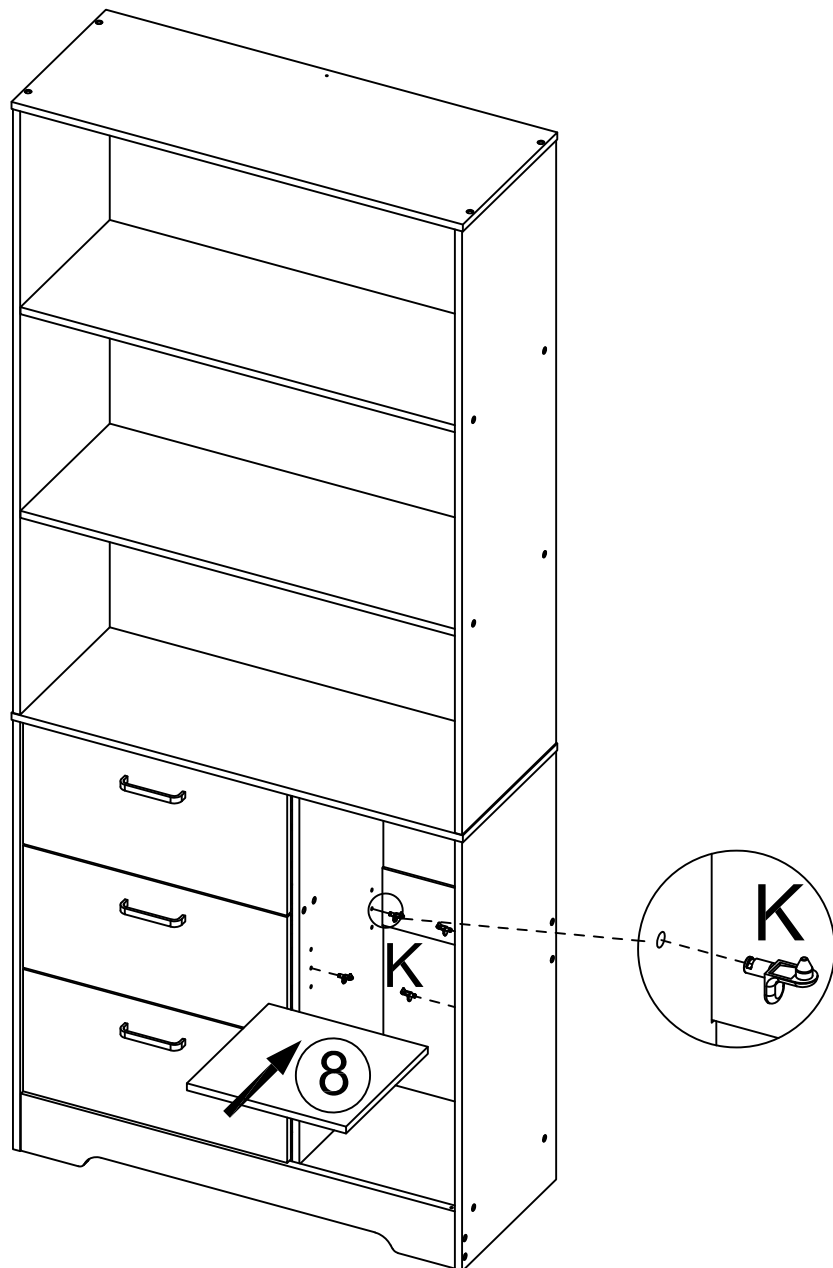











Kx4PCS

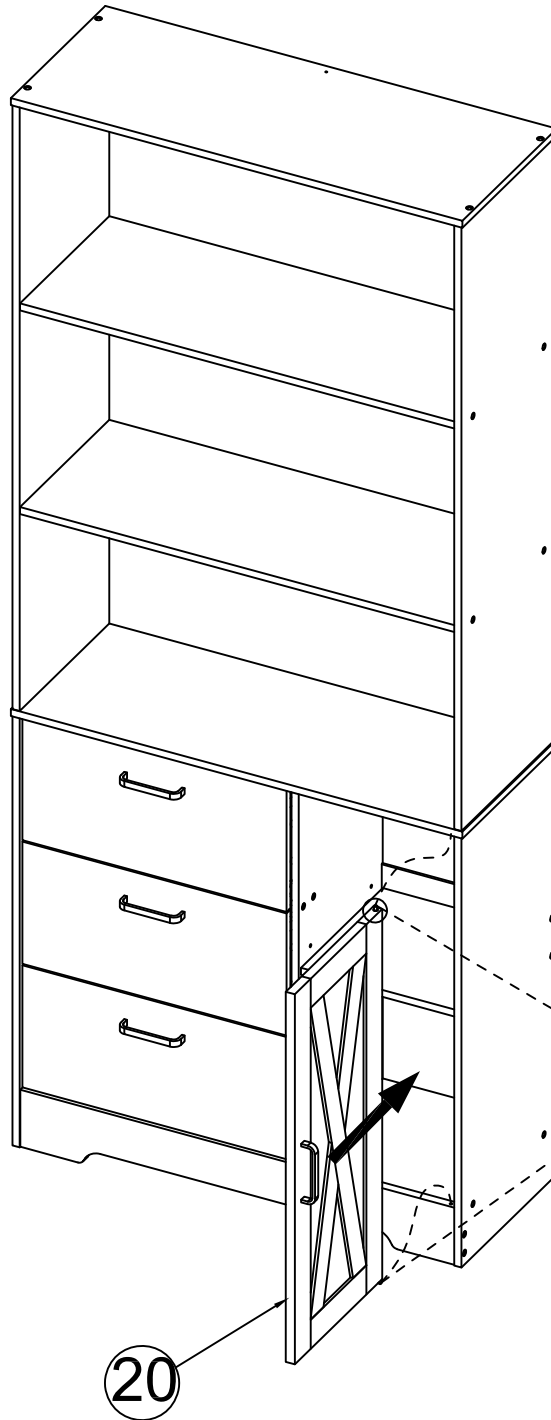
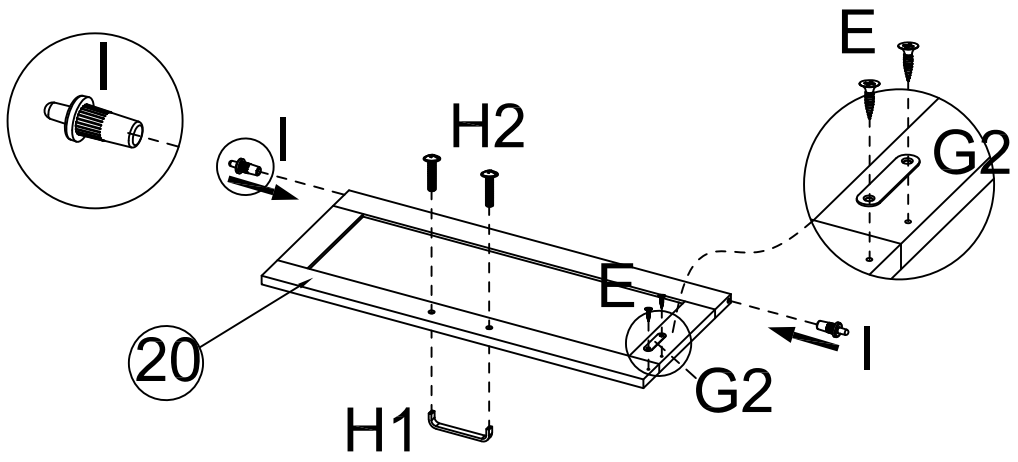
8x1PCS

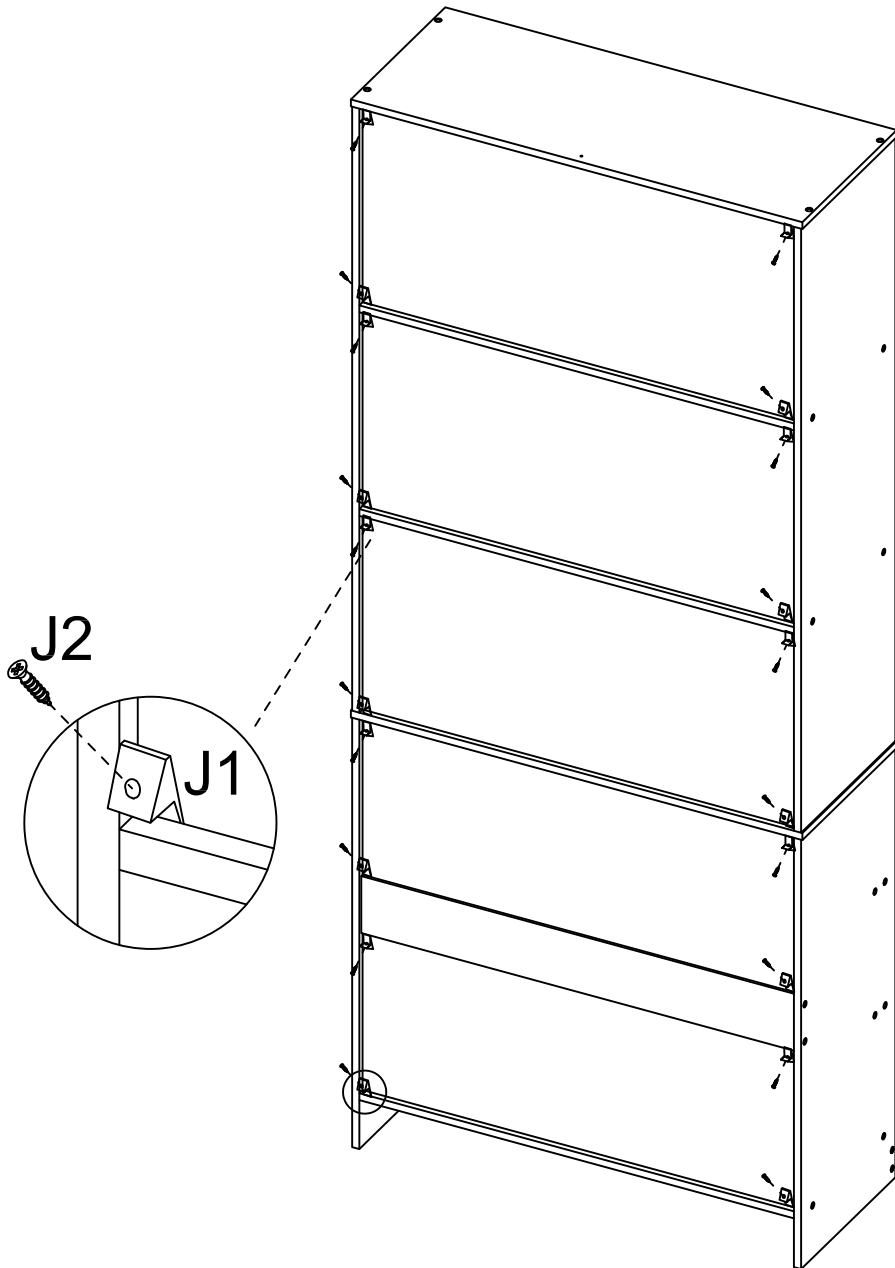
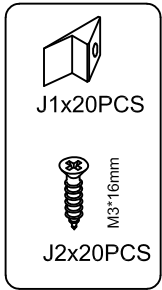






23

-  M3.5*12mm
Ex2PCS
-  G2x1PCS
-  H1x1PCS
-  M4*15mm
H2x2PCS
-  Ix2PCS

20x1PCS





- 
L1x1PCS
- 
L2x1PCS
M4*12mm
- 
L3x1PCS
M4*35mm
- 
L4x1PCS

