

Assembly Instructions

⚠ Before you throw the carton, please ensure that you have all the parts needed for the assembly.

⚠ **Hardware Note:**
1. For each step please don't fully tighten all the screws at first, when they all align to the holes you can fully tighten them.

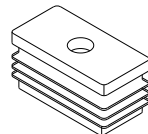
2. All the bolts should be assembled **vertically** to the holes.

⚠ Back can be found in the **bottom** of the seat. We attached velcro on the black fabric.

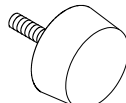
⚠ **Spare parts can be found in the hardware box** if you do not have enough bolts for assembly.



2pcs



1pc



1pc



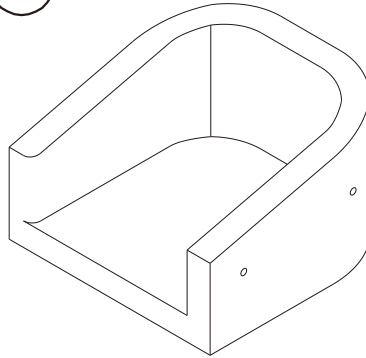
⚠ THIS INSTRUCTION BOOKLET CONTAINS IMPORTANT SAFETY INFORMATION. PLEASE READ AND KEEP FOR FUTURE REFERENCE.

Assembly Instructions

Parts and Hardware

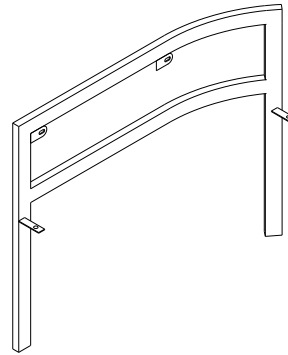
Please check to make sure you have all parts and hardware before starting assembly process.

A



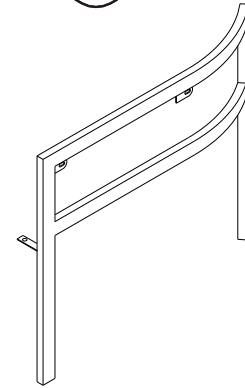
Seat 1pc

B



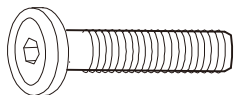
Left Leg 1pc

C



Right Leg 1pc

1



Bolts 8pcs

2

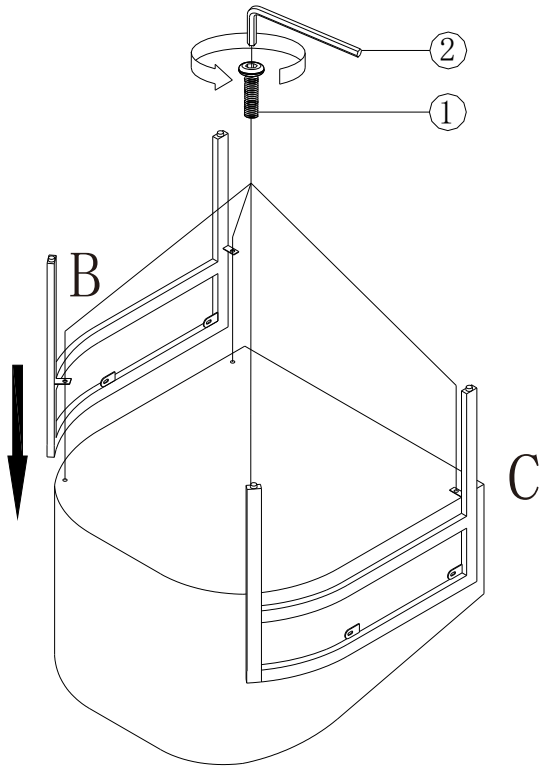


Allen Wrench 1pc

Assembly Instructions

Assembly Instruction

Step 1: Put seat on a soft and clean place. Assemble arms to the bottom of seat. Do not fully tighten the bolts.



Step 2: Assemble arms to the side of seat. Do not fully tighten the bolts until all of them are align to the holes. Then fully tighten them by the short side of wrench.

