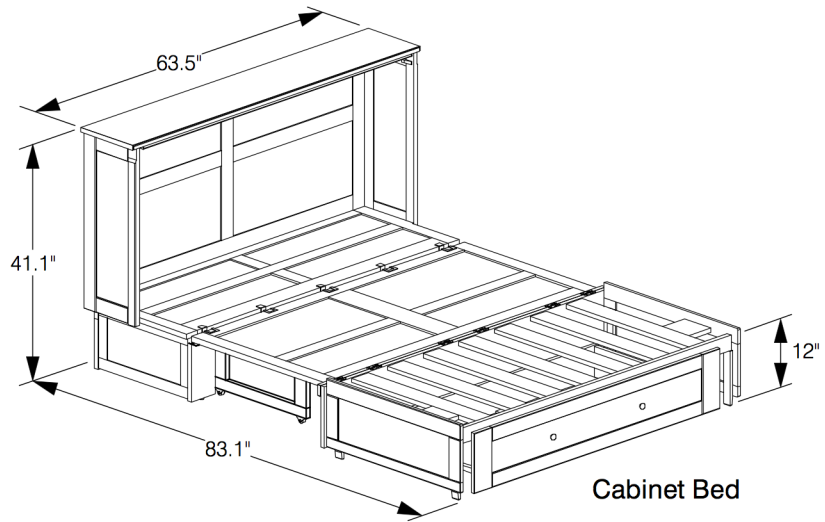


**Cabinet**



**Cabinet Bed**

**Murphy Cabinet Bed**

Box H	Box W	Box L	Cubes	Net Wt.	Gr. Wt.
875mm	685mm	1695mm	1.016m3	75.0Kg	90.0Kg
34.4"	27.0"	66.7"	35.88cuft	165.3lb	198.4lb

**Assembled Product and Carton Dimensions\***

*\*Please Note The Above Weights and Measures may be subject to change without notice.*