

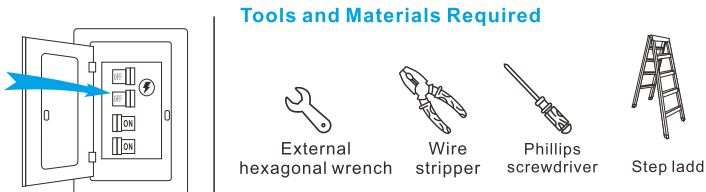
SAFETY PRECAUTION:

IMPORTANT: PLEASE READ BEFORE INSTALLATION:

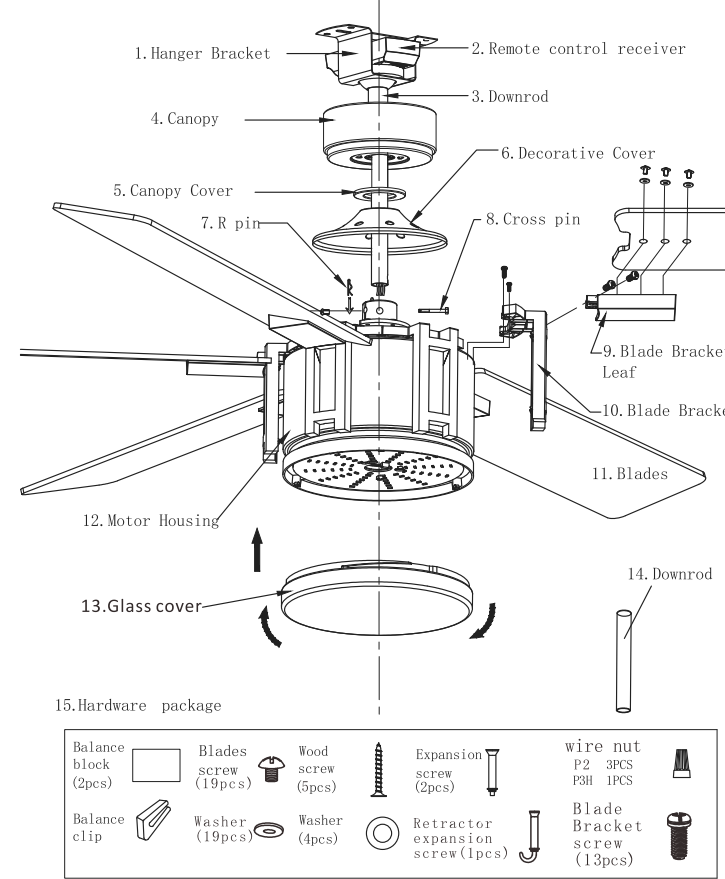
- Before you begin installing the fan, shut power off at the circuit breaker of the fuse box.
- CAUTION:** Read all instructions and safety information before installing your new fan. Review accompanying assembly diagrams.
- Make sure that all electrical connections are in accordance with National Electrical Code, ANSI/NFPA 70 and local codes. Hire a licensed electrician if you are unfamiliar with installing electrical wiring.
- Make sure the installation site you choose allows the fan blades to rotate without any obstructions. Allow a minimum clearance of 2.1m (7 feet) from the floor and 18 inches from the tip of the blades to the wall.
- WARNING:** To reduce the risk of fire, electric shock, or personal injury, mount to outlet box marked "Acceptable for Fan Support of 15.9 kg (35 lbs) or less" and use mounting screws provided with the outlet box.
- CAUTION:** To reduce the risk of injury, use only the screws provided with the outlet box in conjunction with the lock washers provided with the fan.
- The outlet box and support structure must be securely mounted and capable of reliably supporting a minimum of 35 pounds. Use only U.L. listed outlet boxes marked "Acceptable for Fan Support of 15.9 kg (35 lbs) or less".
- After you install the fan, make sure that all mounting components are secured to prevent the fan from falling.
- Do not insert anything into the fan blades while the fan is operating.
- To change the direction of the rotation of the blades the fan must be in operation mode.
- All set screws must be checked and retightened where necessary before installation.
- WARNING:** To reduce the risk of personal injury, do not bend the blade bracket when installing the brackets, balancing the blades, or cleaning the fan. Do not insert foreign objects in between rotating fan blades.
- CAUTION:** To reduce the risk of electric shock, disconnect the electrical supply circuit to the fan before installing light kit.
- After making the wire connections, the wires should be spread apart with the grounded conductor and the equipment-grounding conductor on one side of the outlet box and the ungrounded conductor on the other side of the outlet box.
- The splices after being made should be turned upward and pushed carefully up into the outlet box. Conductor wiring identified as grounded is to be connected to a grounded conductor of power supply. Conductor wiring identified as ungrounded conductor is to be connected to an ungrounded conductor. Conductor wiring identified for equipment grounding is to be connected to an equipment-grounding conductor.
- This device complies with part 15 of the FCC Rules. Operation is subject to the following two conditions: (1) This device may not cause harmful interference, and (2) this device must accept any interference received, including interference that may cause undesired operation.
 - WARNING:** To reduce the risk of fire or electric shock, this fan must be installed with a general use, isolating wall control/switch.
 - WARNING:** To reduce the risk of fire or electric shock, do not use this fan with any solid-state speed control device.
- CAUTION:** The light source is designed for this specific application and can overheat if serviced by untrained personnel. If any servicing is required, the product should be returned to an authorized service facility for examination or repair.

BEFORE YOU START

Contact a licensed electrician if you are uncomfortable performing electrical work. A licensed electrician must install the fan if required by local code. Do not use the fan with a dimmer switch. Turn off power at breaker. When mounting the fan, to ensure the safety cable is loop across the ceiling mounting 'J' hook.



Product instruction:



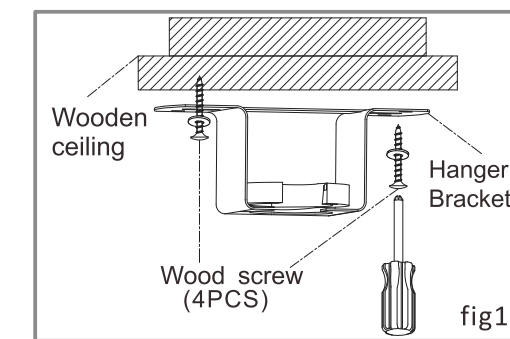
Balance block (2pcs)	Blades (19pcs)	Wood screw (5pcs)	Expansion screw (2pcs)	wire nut P2 3PCS P3H 1PCS
Balance clip	Washer (19pcs)	Washer (4pcs)	Retractor expansion screw (1pcs)	Blade Bracket screw (13pcs)

WARNING

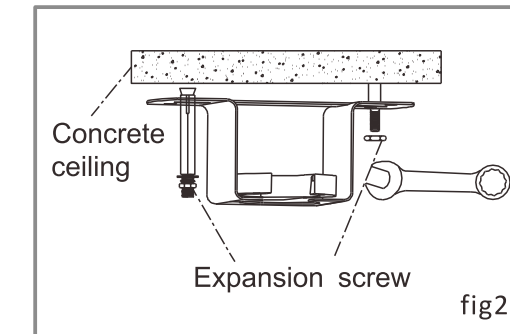
TO REDUCE THE RISK OF PERSONAL INJURY, DO NOT DEND THE BLADES BRACKETS DURING ASSEMBLY OR AFTER INSTALLATION. DO NOT INSERT ANY OBJECTS IN THE PATH OF THE BLADES.

TO REDUCE THE RISK OF SHOCK, THIS FAN MUST BE INSTALLED WITH AN ISOLATION WALL CONTROL / SWITCH.

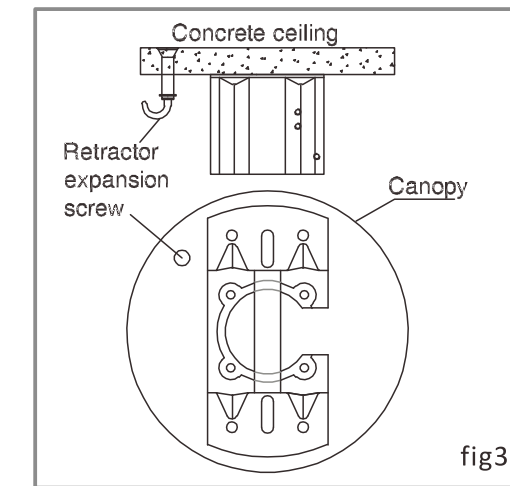
INSTALLATION OF HANGER BRACKET:



Wooden Ceiling:
1) For wood ceiling, Secure the mounting bracket to the ceiling capable of carrying a load of at least 100lbs (45kgs) with four long mounting screws and washers provided. Be sure at least 1.2" (30mm) of the screw is threaded into the support.

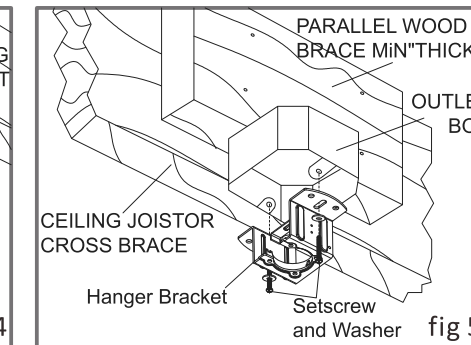
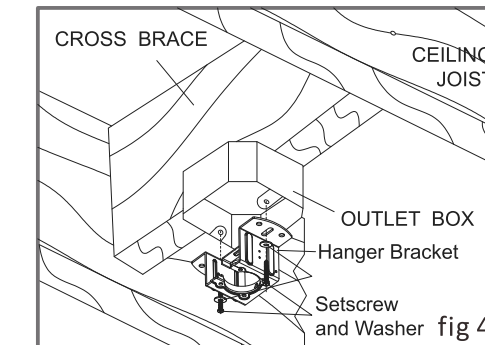


Concrete ceiling:
2) For concrete ceiling, drill two holes in the ceiling and secure the mounting bracket to the ceiling with two $\phi 0.32$ " (8mm) (distance between the two holes should be appropriate) expansion screws, flat washers nuts provided and tighten with a spanner.



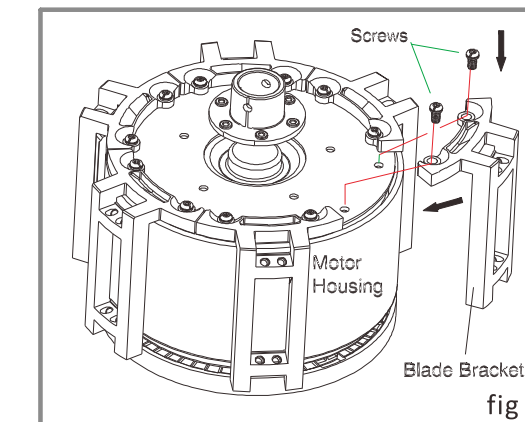
3) Install the Retractor expansion screw to the ceiling beside the hanger bracket.

INSTALLATION OF HANGER BRACKET:



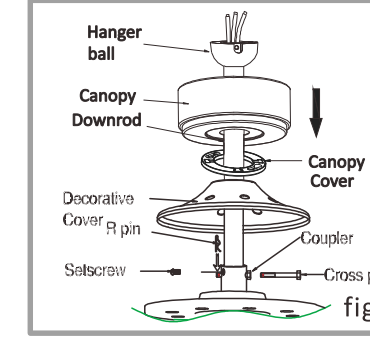
- For installing to outlet box, secure the outlet box directly to the building structure. Use appropriate fasteners and building materials. The outlet box and its support must be able to fully support the moving weight of the fan (at least 35lbs). Use a UL listed metal outlet box. Do not use a plastic outlet box. Figure fig 4 & fig 5 examples to mount the outlet box.
- Install mounting bracket to outlet box in ceiling using the screws and washers provided with the outlet box as shown above.

INSTALLATION OF BLADE BRACKET:



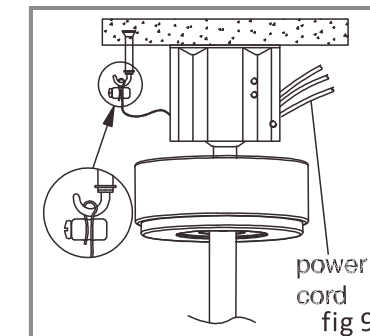
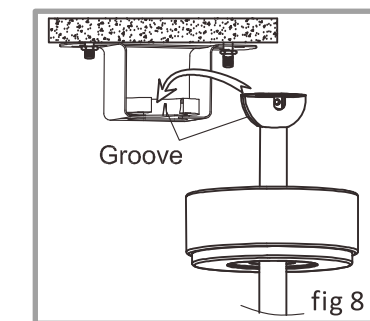
- Remove the screws which fix on the motor fixed plate.
- Take out the blade bracket from the Packing bag, fasten the blade bracket to the motor fixed plate by the screws.

INSTALLATION OF DOWNROD / HANGER BALL:

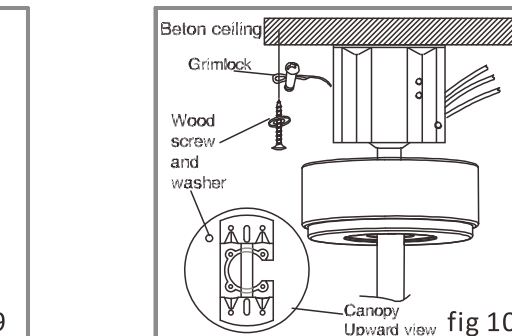


- Remove the 'R' pin and Cross pin from the down rod.
- Install the canopy and housing cover through the down rod then thread the wires through the down rod, insert the down rod into the connector.
- Loosen the two setscrews in the down rod support. Install back the Cross pin and secured with the 'R' pin. The 'R' pin must be properly installed to prevent the Cross pin from working loose (fig 7). Fasten back the two screws firmly.

HANGING OF CEILING FAN:

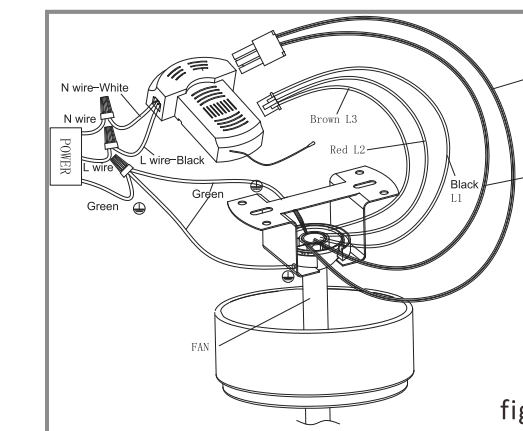


- Carefully lift the fan and assembly into hanger bracket which is attached to the outlet box.
- Ensure the rod ball's groove is lined up with tab on the hanger bracket. (fig 8)



- 1*Concrete ceiling: Buckle the safety wire on the installed hook and tighten the safety wire. (The same is true for outlet box)
- 2*Wood ceiling: Put the wood screw through the steel wire, locked the steel cable onto the wood ceiling. (The same is true for outlet box)

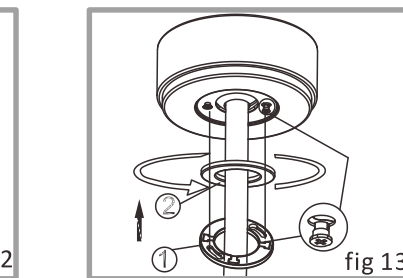
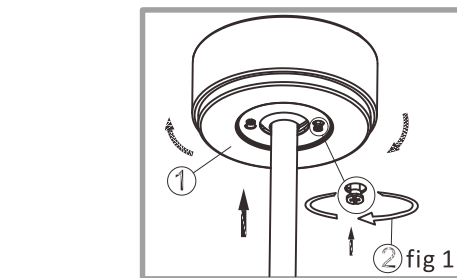
WIRING OF CEILING FAN:



- Total six colors of wires connected from the top of the motor:
 - * White - neutral wire for lightkit
 - * Blue- live wire for lightkit
 - * Black(L1), Red(L2), Brown(L3)-live wire for fan
 - * Green -ground wire

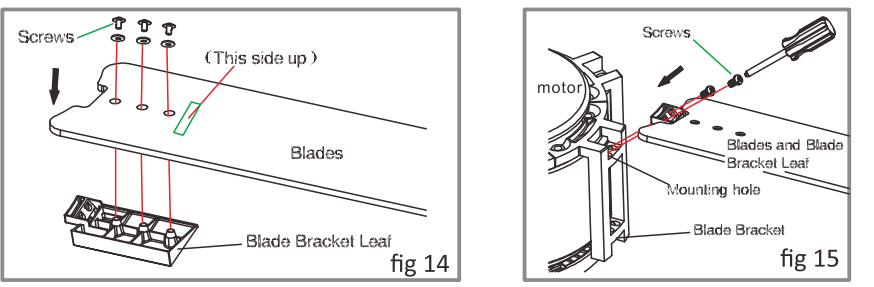
- Plug the connector from the motor into the remote control receiver: big Connector to the big Socket & small Connector to the small Socket
- Connect wire and remote control receiver wires to AC wires using wire nuts: Green to Ground, White to Neutral, Black to Live,
- Tidy up the wire and slide the receiver into the hanger bracket.

INSTALLATION OF CANOPY:



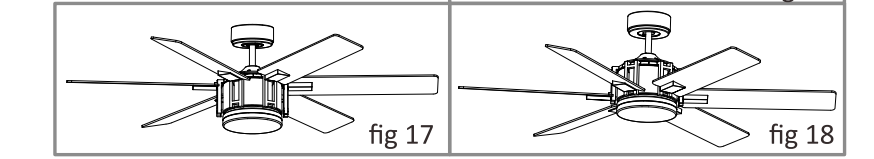
- After done up the wiring, attach the canopy to the hanger bracket by pushing up and twist to locate screws in the two key holes.
- Tighten the two screws firmly. The two screws will be protruded with some allowance to receive the canopy cover. (fig 12)
- Move the canopy cover towards the canopy and attached to the screws and twist anticlockwise until it is installed tightly. (fig 13)

INSTALLATION OF FAN BLADES :

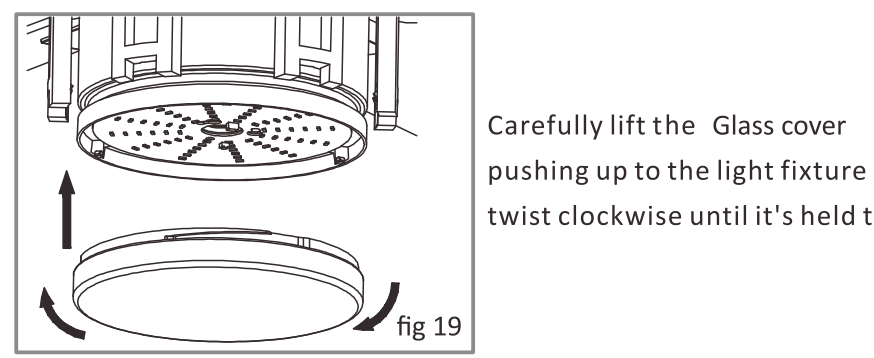


1) Install the blade to the blade bracket leaf by the washer and screws.
PAY ATTENTION:The sign of "THIS SIDE UP".

2) Tighten the blade onto the blade bracket which is installed on the motor plate.

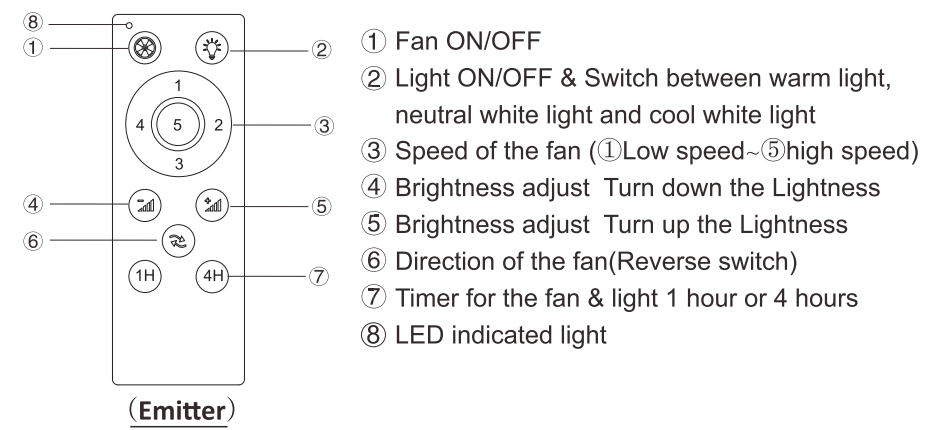


INSTALLATION OF LIGHTKITS:



Carefully lift the Glass cover by pushing up to the light fixture and twist clockwise until it's held tightly.

REMOTE CONTROL MANUAL (BUTTON FUNCTION):



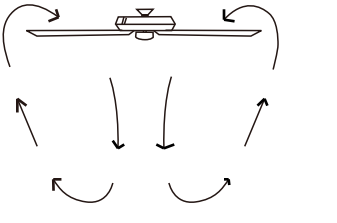
- ① Fan ON/OFF
- ② Light ON/OFF & Switch between warm light, neutral white light and cool white light
- ③ Speed of the fan (①Low speed-⑤high speed)
- ④ Brightness adjust Turn down the Lightness
- ⑤ Brightness adjust Turn up the Lightness
- ⑥ Direction of the fan(Reverse switch)
- ⑦ Timer for the fan & light 1 hour or 4 hours
- ⑧ LED indicated light

IMPORTANT:

1. Learning code matching mode is used between emitter and receiver. Turn "ON" the supply power within 30 second and press the emitter's "⊗" button for 5 seconds, it can load normally after hearing a long sound "bee", which means learning successfully and it can work normally.(PS: Learning mode is not accepted after turn "ON" the supply power for 30 seconds)
2. When the emitter cannot control the receiver, please check the battery switch touching normally or not, correction of the positive and negative, full or empty of the power.
3. When the emitter cannot control the receiver, please check is there any existence of similar remote controlled products nearby, then check whether they work, because remote controlled product with the same frequency will disturb each other.
4. Low voltage of battery will affect the sensitivity of the emitter and the signal reception accordingly(the indicated light will be dimmed when the battery get low voltage).must replace if the battery is getting low voltage.
5. Please take out the battery from the emitter when leaving unused for long time.
6. The maximum load of lighting see the above"POWER PARAMETER LIST"PS: please connect the ground wire correctly, otherwise it may cause the light micro-light or flash
7. When installing the fan, the fan ceiling cover don't press the antenna(or other wire),it is easy to break down the wire and short-circuited.

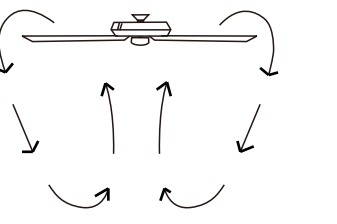
Forward function

On this setting, the fan will turn counterclockwise to create a cooling effect. Use this function during warmer weather to circulate the hot air away from your living space.



Reverse function

On this setting, the fan will turn clockwise. Use this function during cooler weather to re-circulate warm air.



FCC Statement:

NOTE:This equipment has been tested and found to comply with the limits for a Class B digital device, pursuant to part 15 of the FCC Rules, These limits are designed to provide reasonable protection against harmful interference in a residential installation. This equipment generates, uses and can radiate radio frequency energy and, if not installed and used in accordance with the instructions, may cause harmful interference to radio communications. However, there is no guarantee that interference will not occur in a particular installation. If this equipment does cause harmful interference to radio or television reception, which can be determined by turning the equipment off and on, the user is encouraged to try to correct the interference by one or more of the following measures:

- Reorient or relocate the receiving antenna.
- Increase the separation between the equipment and receiver.
- Connect the equipment into an outlet on a circuit different from that to which the receiver is connected.
- Consult the dealer or an experienced radio/TV technician for help.

WARNING: Changes or modifications to this unit not expressly approved by the party responsible for compliance could void the user's authority to operate the equipment.

MAINTENANCE TIPS:

1. Because of the fan's natural movement, some connections may be loose. To check the support connections, brackets and blades attachments 2 times a year. Make sure they are all secured (It is not necessary to dismantle the entire fan from ceiling).
2. Clean your fan periodically to help maintain its appearance over the years. Do not use water when cleaning, use only a soft brush or lint-free cloth to avoid scratching the finish. The plating is coated with a lacquer to minimize the ratio of discoloration or tarnishing which would damage the motor or the wood or possibly cause an electric shock.
3. You can apply a light coat of furniture varnishing to the wood for additional protection and enhance its beauty. Surface scratched mark can be touch-up with a light coat of shoe polish.
4. There is no need to oil your fan. The motor is created with lubricated sealed ball bearings.

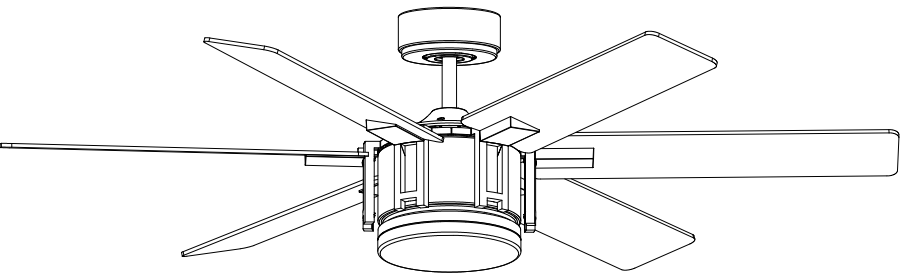
WARNING

MAKE SURE THE POWER IS SWITCH OFF AT THE ELECTRICAL PANEL BOX BEFORE YOU ATTEMPT TO ANY REPAIRS (REFER TO THIS SECTION), MAKING ELECTRICAL CONNECTIONS.

Troubleshooting:

Try these troubleshooting steps before contacting the Customer Service. For additional operation, maintenance, and troubleshooting information, please contact our customer service center.

SYMPTOM	POSSIBLE SOLUTION
Fan not spinning	<ol style="list-style-type: none"> 1. Make sure the fan is getting power. 2. Check your circuit breaker or fuse panel and wall switch for functionality. 3. Fan wires are connecting with the house wires correctly. 4. Remote control must be paired with the fan within 30 seconds after the fan getting power 5. Use a multi-meter and test the wiring harness to see if there is any electrical output. 6. All the pin wiring on the circuit board are inserted tight and in the right position. 7. Remote need to pair with the fan first. 8. Make sure the fan blades spin freely. 9. If you're using a wall control, check the power to the breaker from your control and try working your ceiling fan manually. (Normal switch only for the fan power on/off)
Fan light not working	<ol style="list-style-type: none"> 1. Make sure LED light kit/light bulb connected well. 2. Make sure the whole fan is powered. 3. Remote need to pair with the fan first.correctly and in the retention slot.
The fan is noisy and wobbling	<ol style="list-style-type: none"> 1. Check if the blade screws are NOT rubbing against the round plastic part of the motor. 2. Check the pin wire are NOT connected against the moving part. 3. Check the down fan cup is NOT hitting the motor. 4. Confirm the canopy is NOT touching the ceiling while the fan is in operation. 5. Check the down rod is NOT slanted. 6. Tighten any loose screws on the light kit, fan blades, motor coupling, down rod, brackets and mounting hardware. 7. Confirm the hanger ball is firmly seated in the mounting bracket. 8. The ceiling beam must meet the minimum tensile test strength of 30KG for installation. 9. Make sure the airfoils and brackets are NOT bent or deformed. 10. Verify the wire connections are not rattling against each other. 11. Verify the fan blades are not cracked. If the fan blades are cracked, replace the damaged blades with a new blade set from the same brand as your ceiling fan to ensure compatibility. 12. The light kit is NOT slanting and hitting the motor.
Unable to pair remote	<ol style="list-style-type: none"> 1. Check if the wires are connected in the right position or not. 2. Check the batteries in the remote. 3. Disconnect the power for 10 minutes, reconnect the power and pair the remote with the fan immediately.
Fan or light turning on or off by themselves	<ol style="list-style-type: none"> 1. Confirm the circuit breaker is not malfunctioning. 2. Verify the wire connections are not frayed. 3. Cut the fan power for 10 minutes then power on again. 4. All the pins wiring on the circuit board are inserted tight and in the right position.



ITEM: DC526CL

Technical Parameter: AC 120V 60Hz

CARRO
 SMART FANS | LIGHTING

CEILING FAN INSTALLATION GUIDE

Please read and follow all the Instructions carefully before using this product

The product image shown here is indicative only. Actual product you receive may differ.

Carro USA Inc.
 1431 S. Baker Ave. Ontario CA 91761
 Tel: 888-253-2374
 www.carrohome.com | cs@carrohome.com