

Thank you for purchasing your new Item from us. We are sure you are going to be pleased with it.

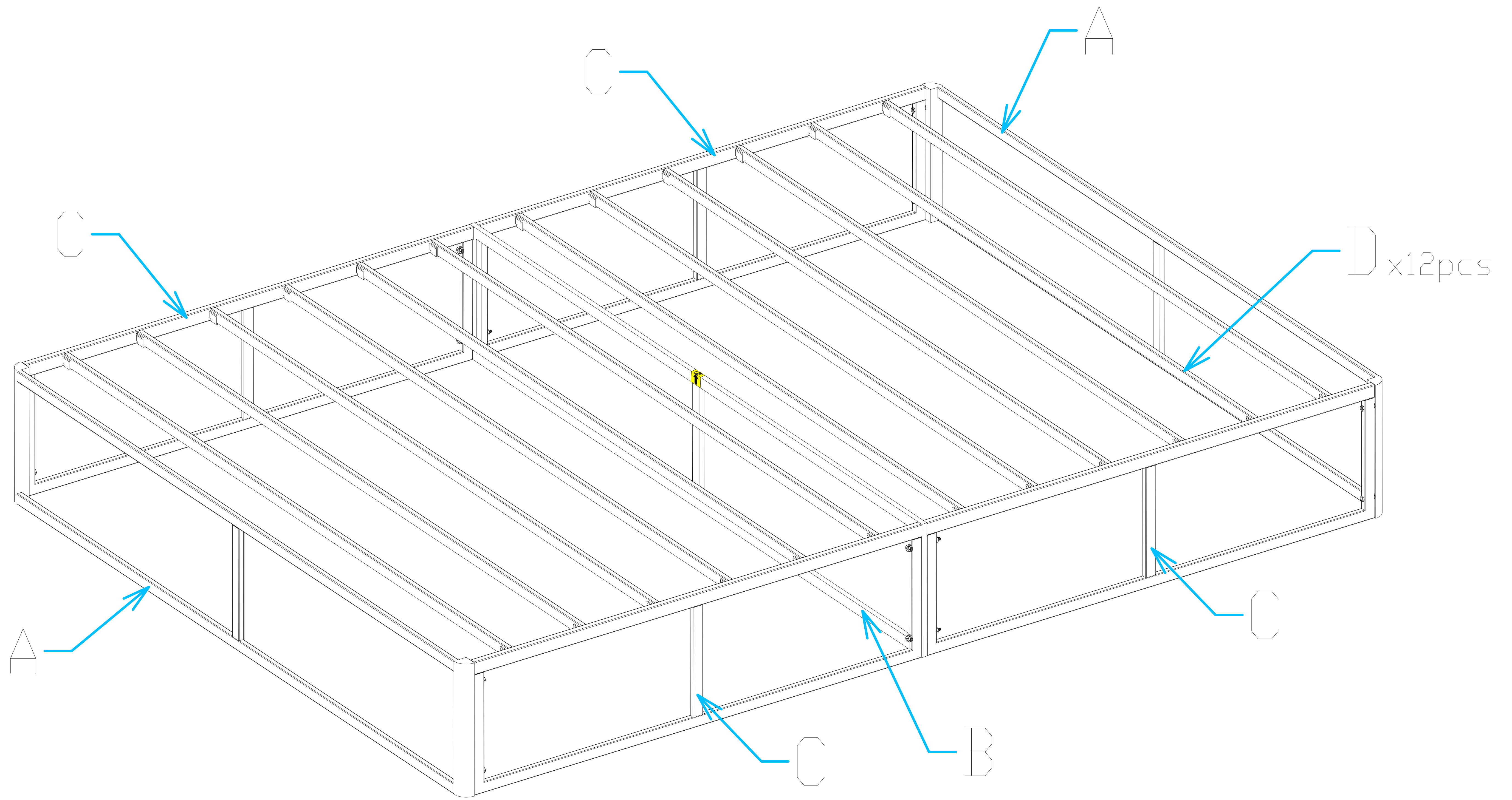


## DO NOT RETURN!

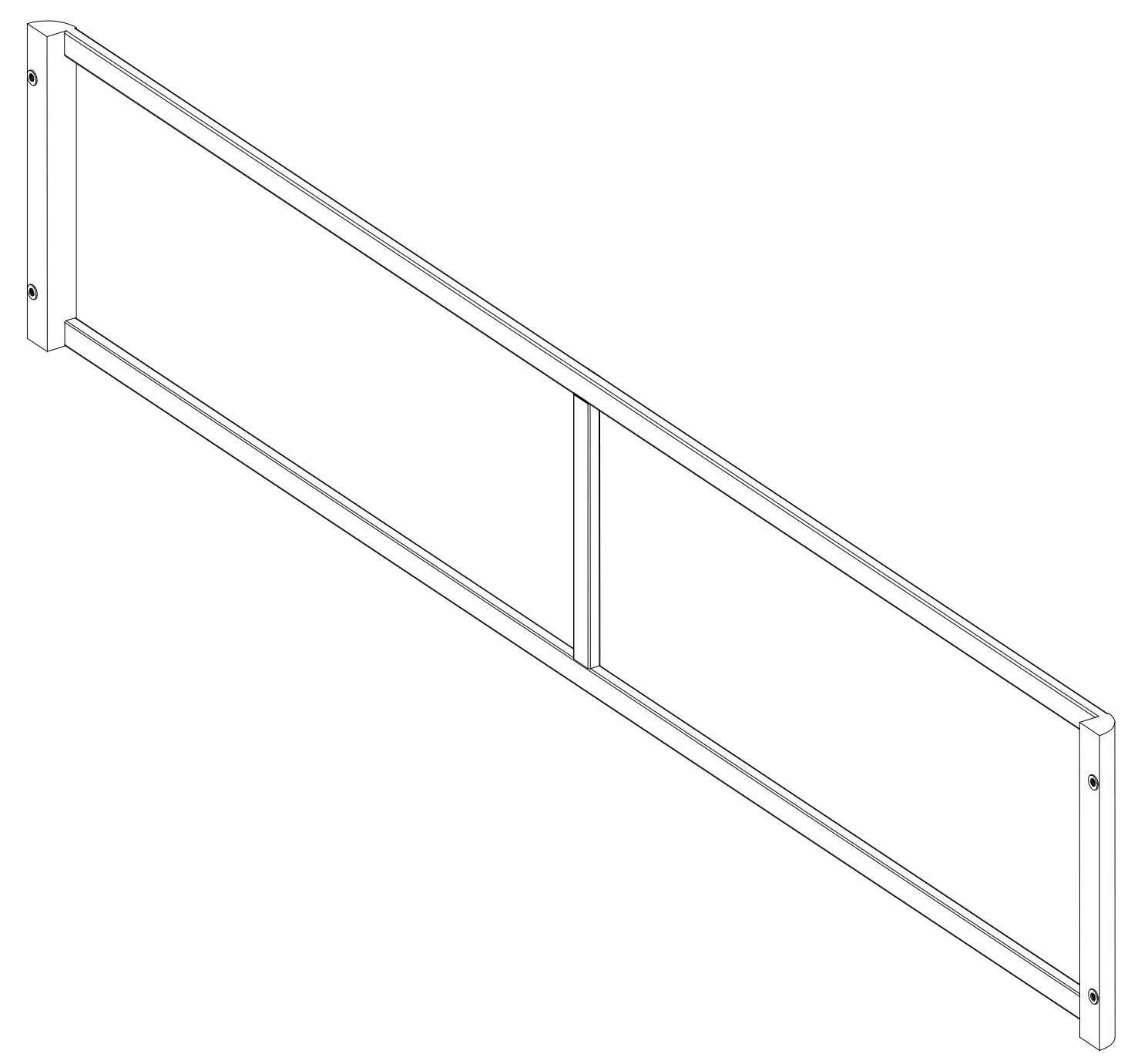
If parts are missing or damaged, we will gladly ship your replacements parts free of charge.

### **IMPORTANT SAFETY NOTICE: READ CAREFULLY BEFORE BEGINNING ASSEMBLY!**

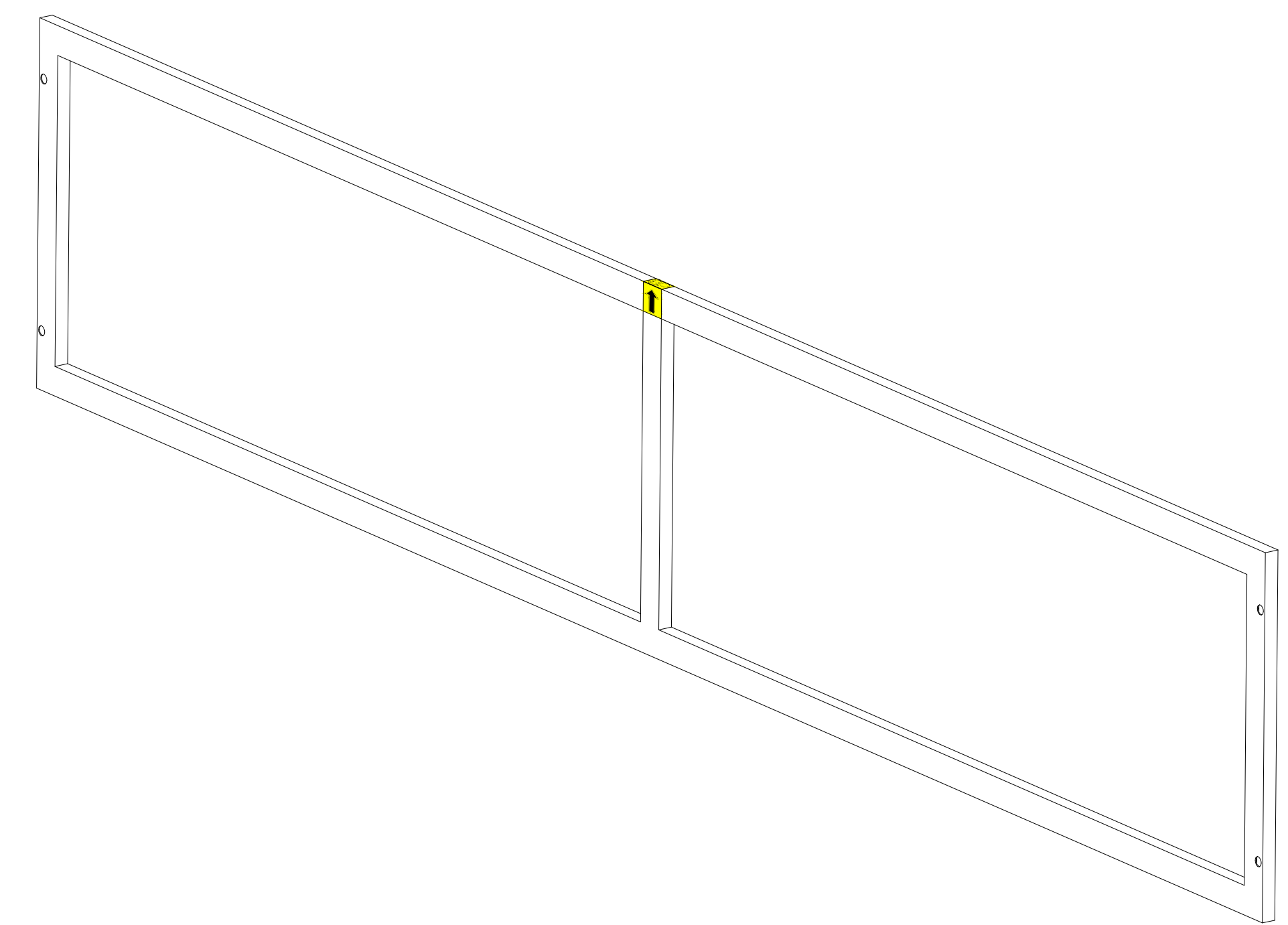
- \* Always use proper tools.
- \* Follow the assembly steps in order. Do not skip any steps to avoid any unwanted obstacles.
- \* Be sure to check all packing materials carefully for small parts may have come loose inside the carton during shipment. If parts are missing, contact us via Buyer-Seller Messaging Service to obtain any missing parts. **DO NOT USE SUBSTITUTE PARTS.**
- \* Work in a spacious area, preferably on carpet near where the item will be used.
- \* Although most items are easy to assemble, we recommend an extra pair of hands to make it easier on you.
- \* Check your item list to make sure all your parts and hardware are included before you begin the assembly process.
- \* Periodically check to ensure that all connectors (bolts, screws, etc.) are tight.
- \* Keep the instructions for future reference.



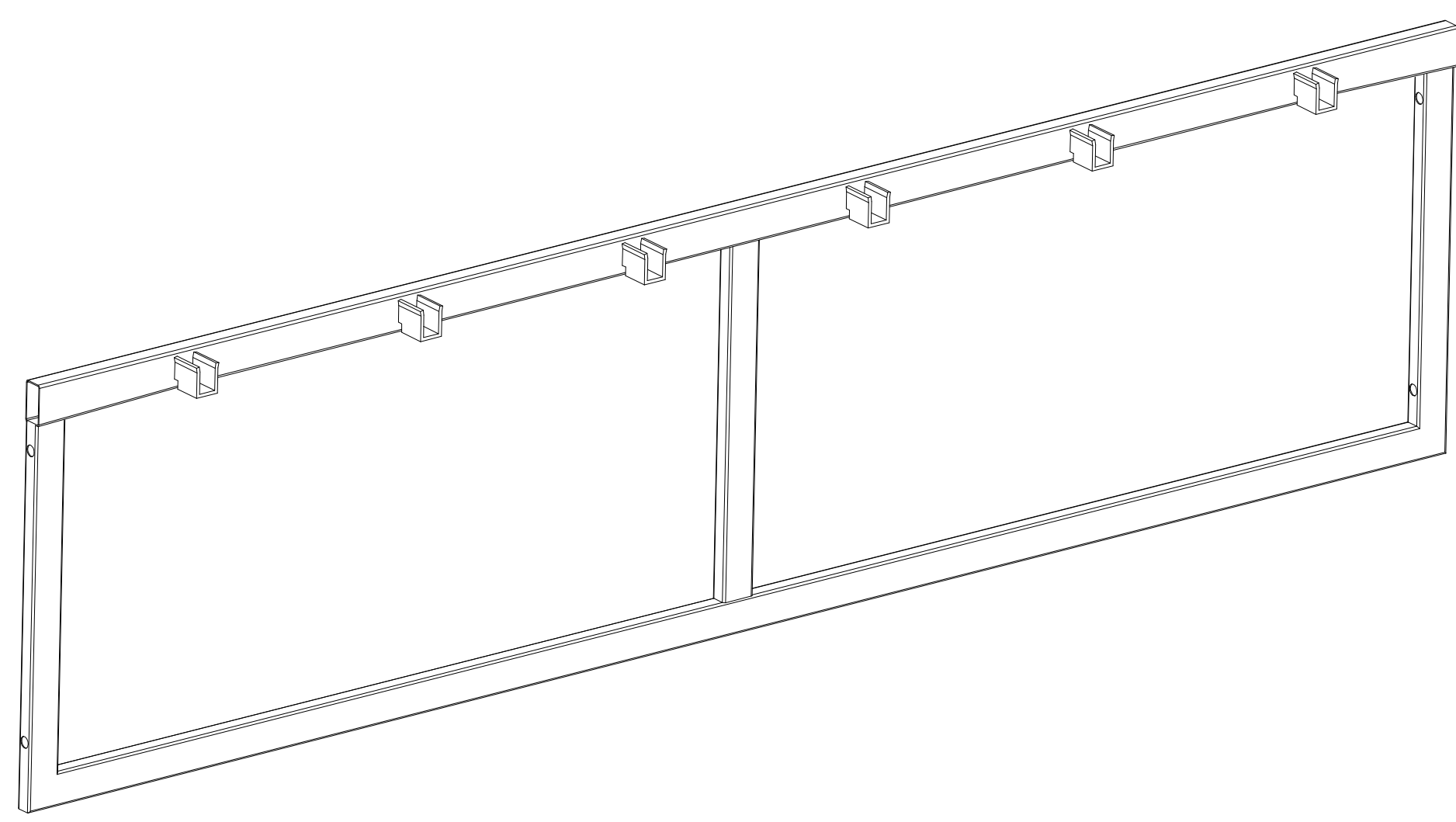
Ax2PCS



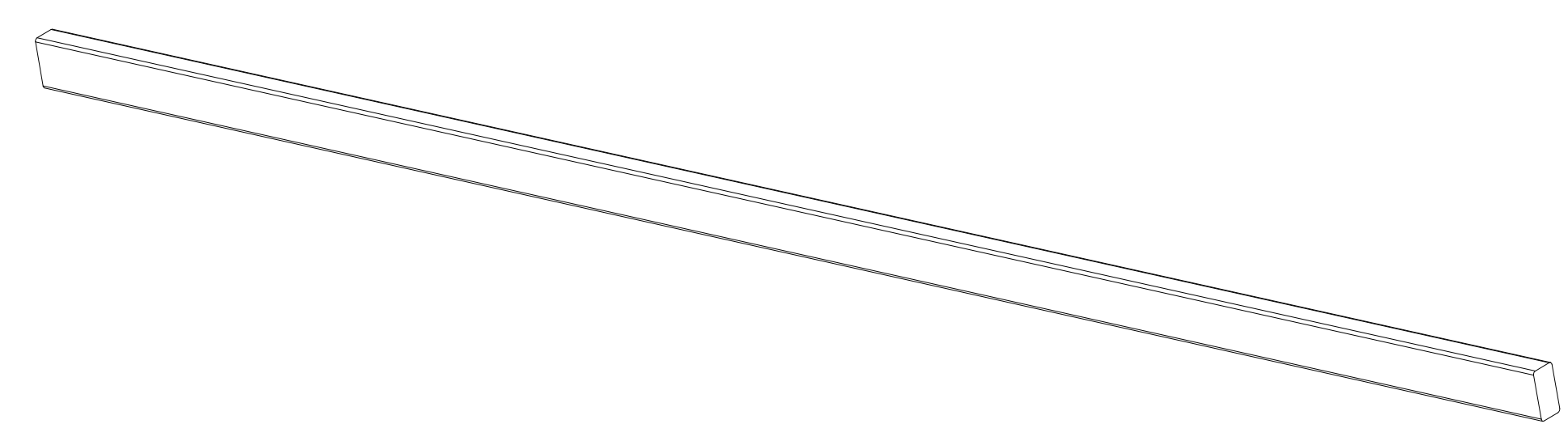
Bx1PC



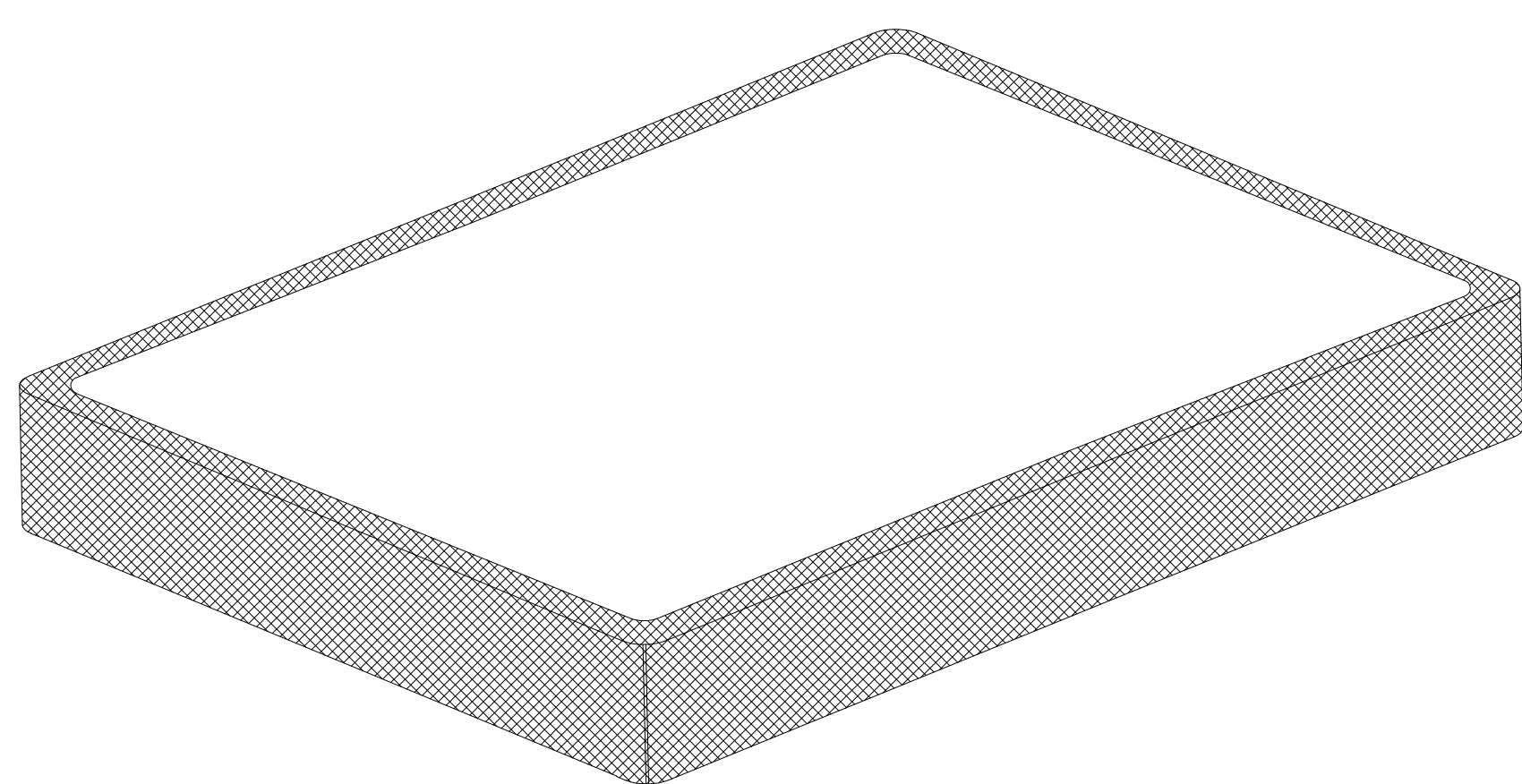
Cx4PCS



Dx12PCS

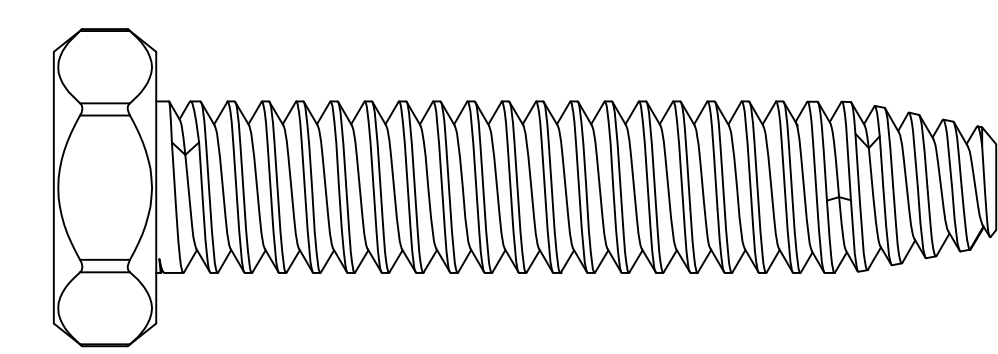


Ex1PC

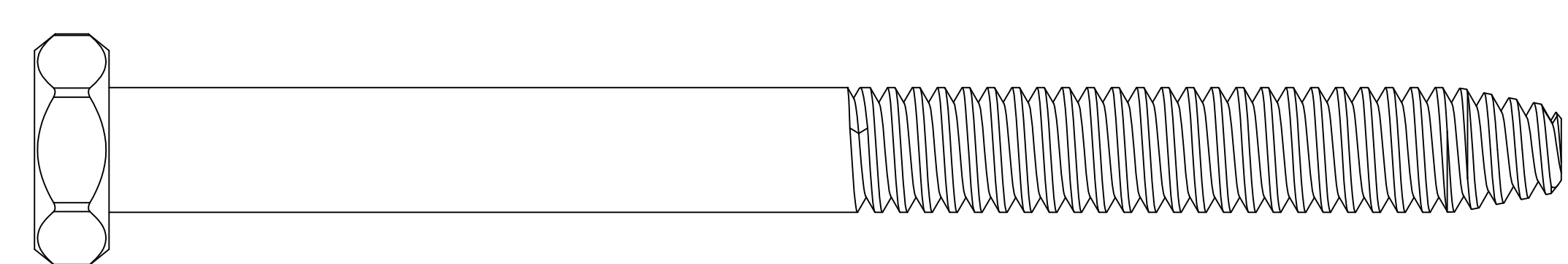


Fabric Cover

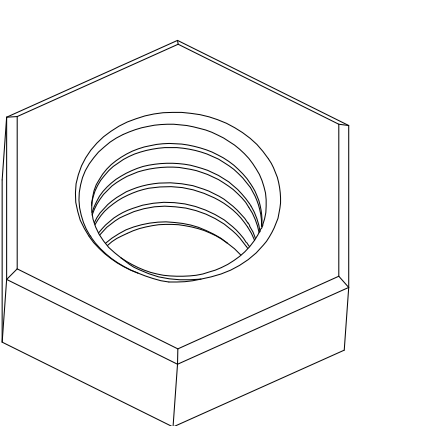
Sx8PCS



Lx4PCS



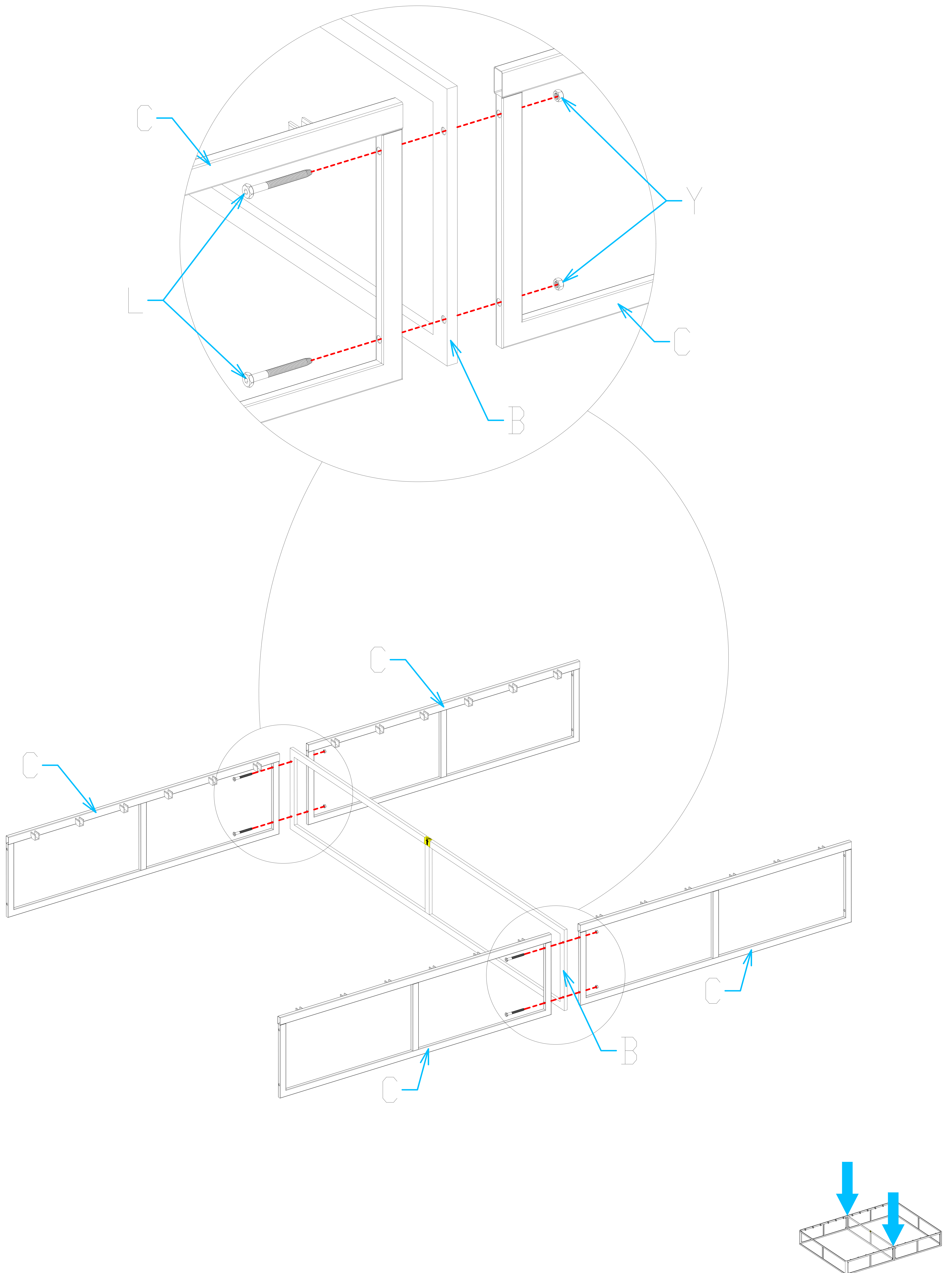
Yx4PCS



- ⚠ NOTE: UNIT SHOULD BE ASSEMBLED BY TWO OR MORE PEOPLE. DO NOT TIGHTEN ANY BOLTS UNTIL ALL BOLTS HAVE BEEN STARTED!
- ⚠ NOTA: ESTA UNIDAD DEBE SER ARMADA POR 2 O MAS PERSONAS. NO APRIETE NINGUN PERNO HASTA QUE TODOS ESTEN EN SU LUGAR!
- ⚠ REMARQUE: LE MEUBLE DOIT ETRE ASSEMBLE PAR DEUX PERSONNES OU PLUS. NE BLOQUER AUCUNE VIS TANT QUE VOUS N'AVEZ PAS COMMENCE A TOUTES LES DEMARRER!

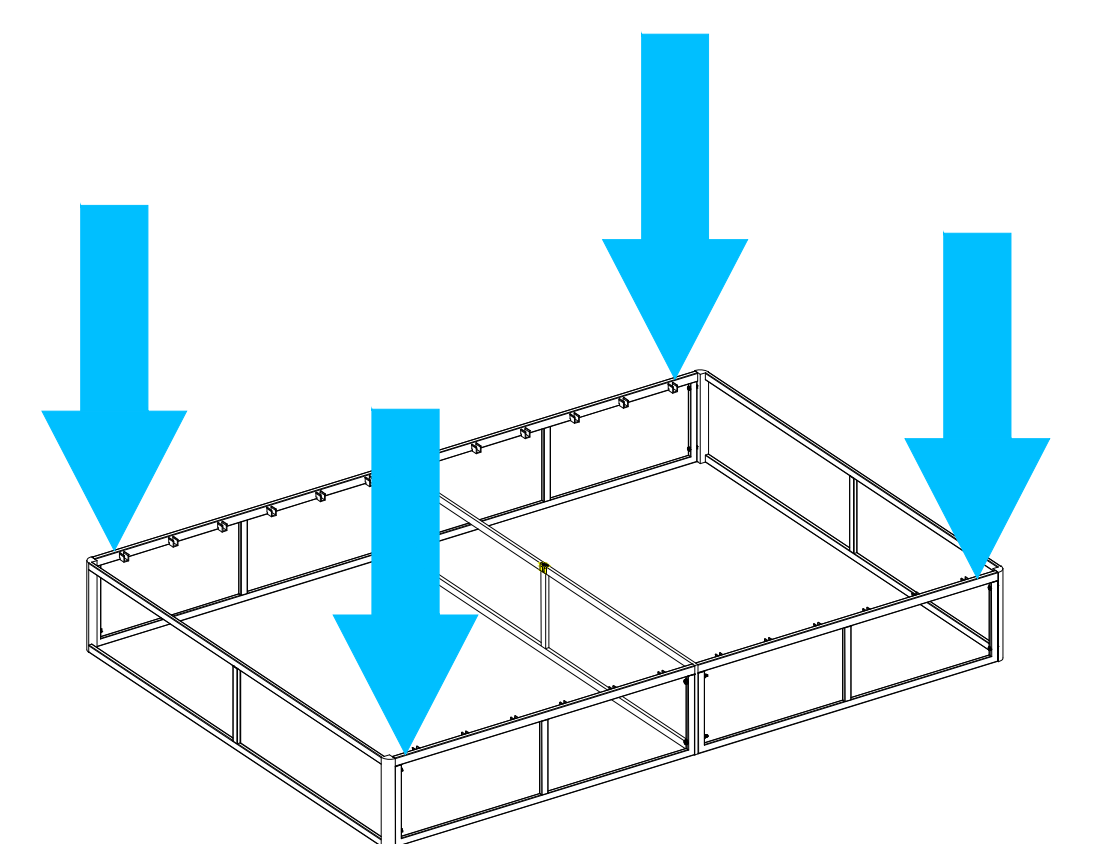
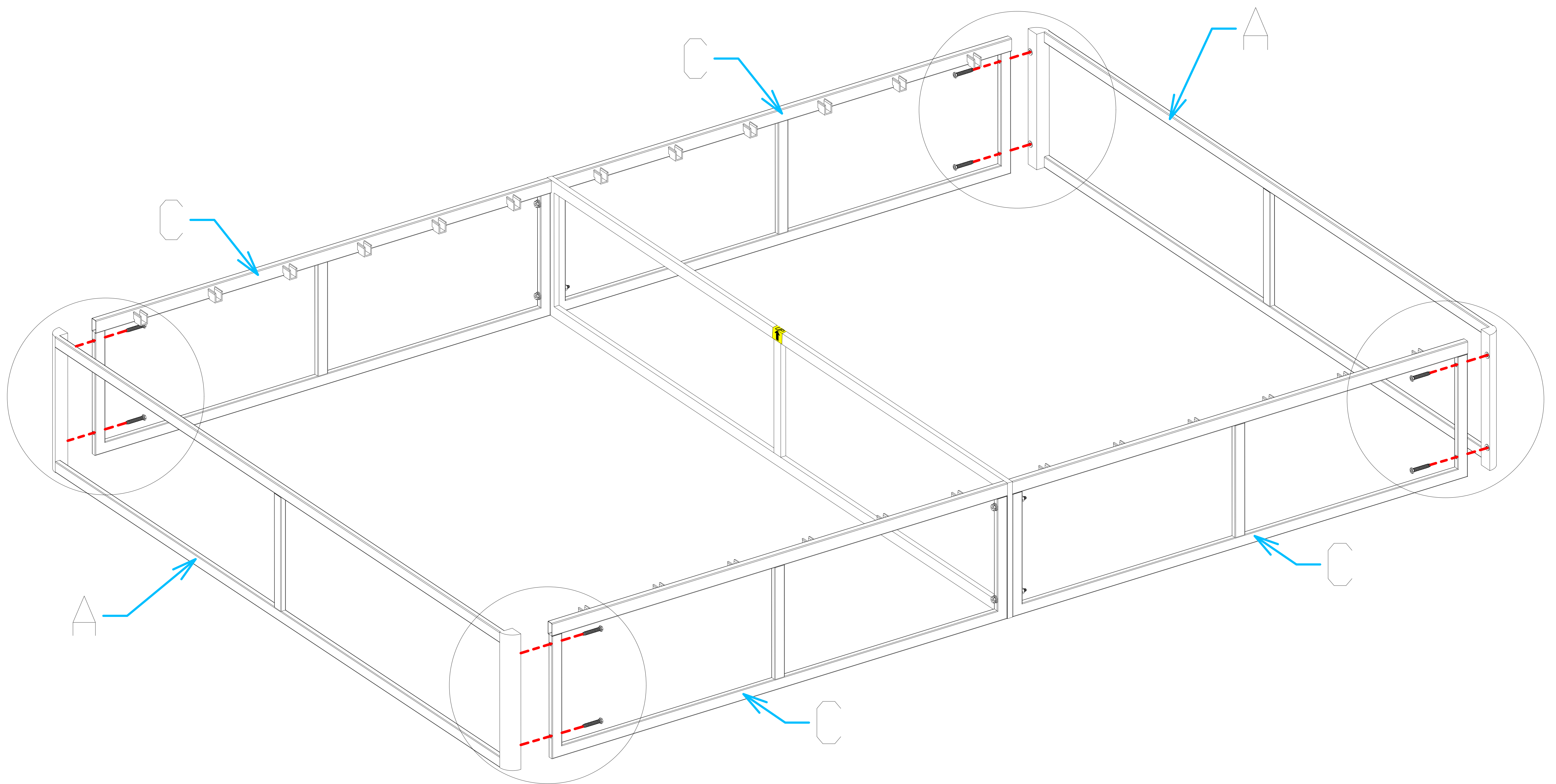
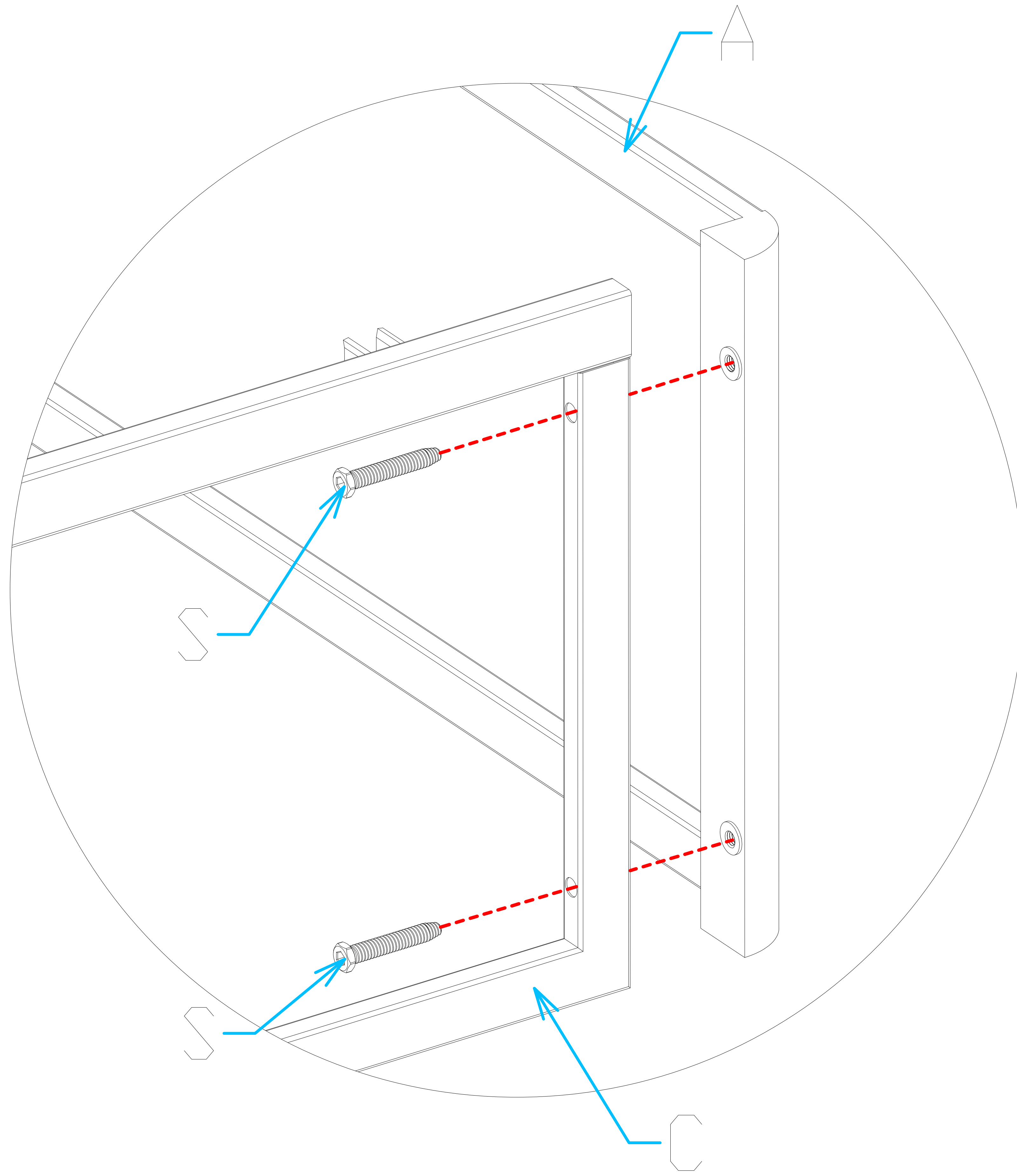
# DON'T TIGHTEN BOLTS UNTIL EVERYTHING IS IN PLACE!

1



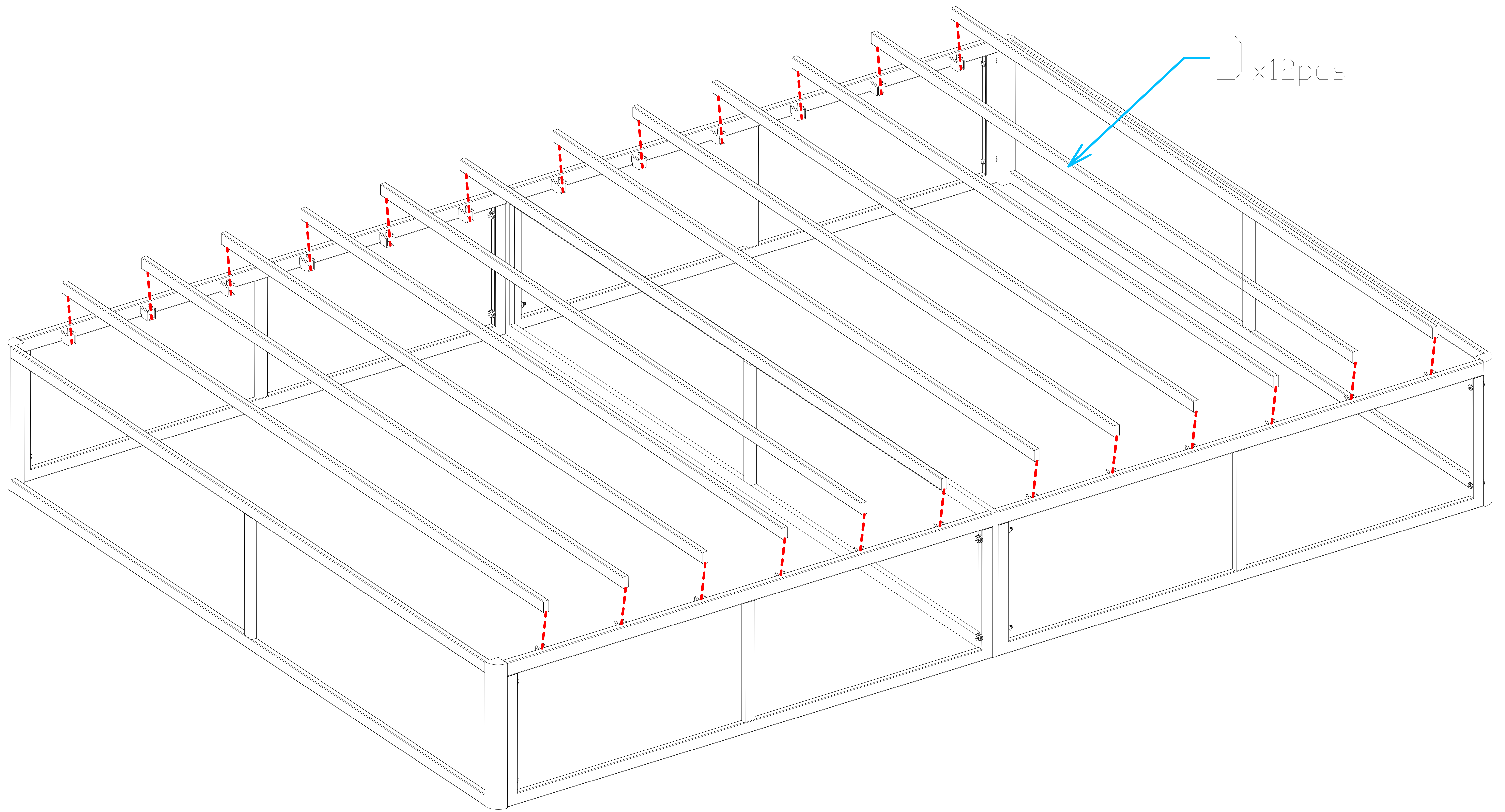
# DON'T TIGHTEN BOLTS UNTIL EVERYTHING IS IN PLACE!

2

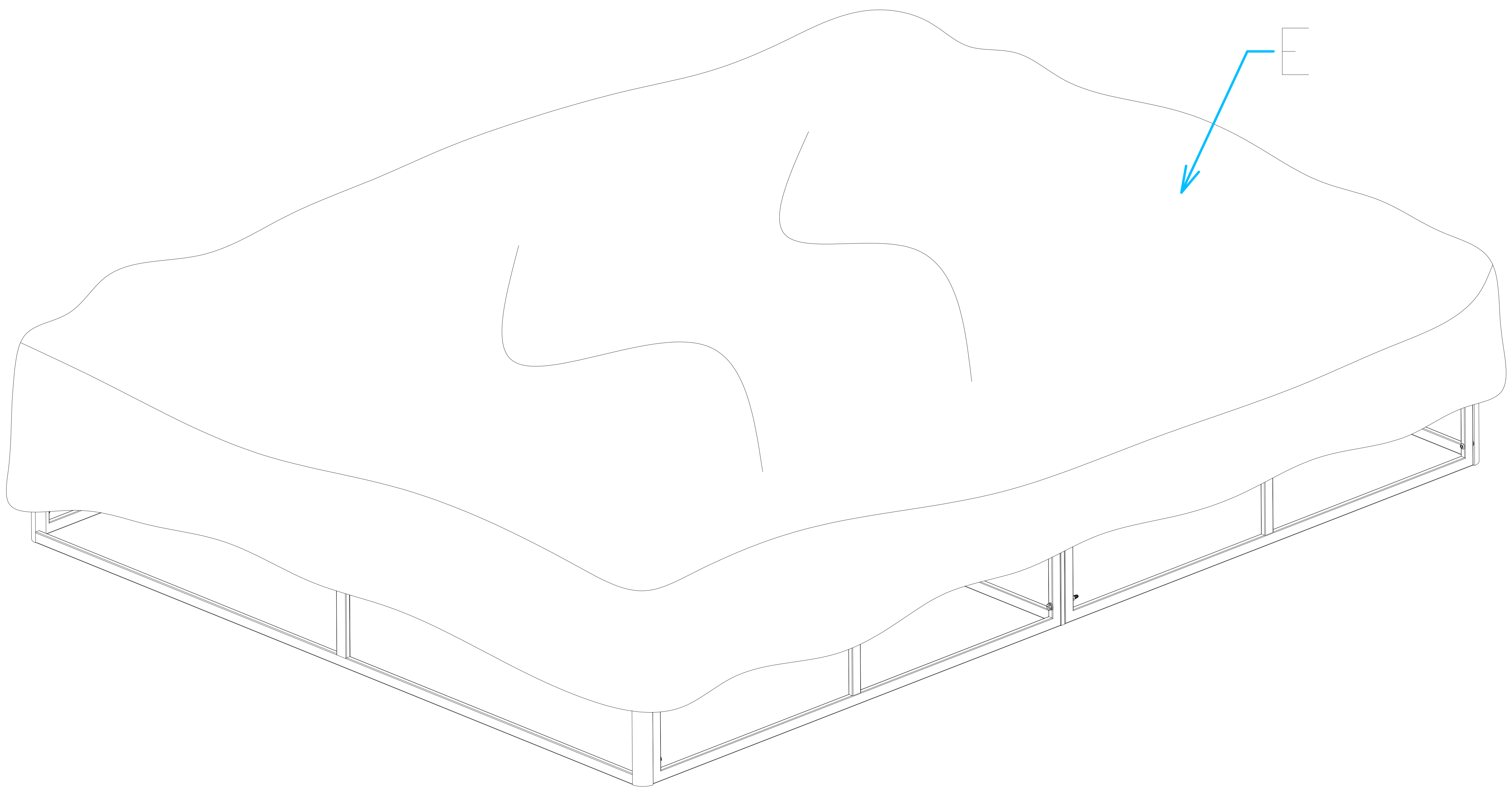


# DON'T TIGHTEN BOLTS UNTIL EVERYTHING IS IN PLACE!

3

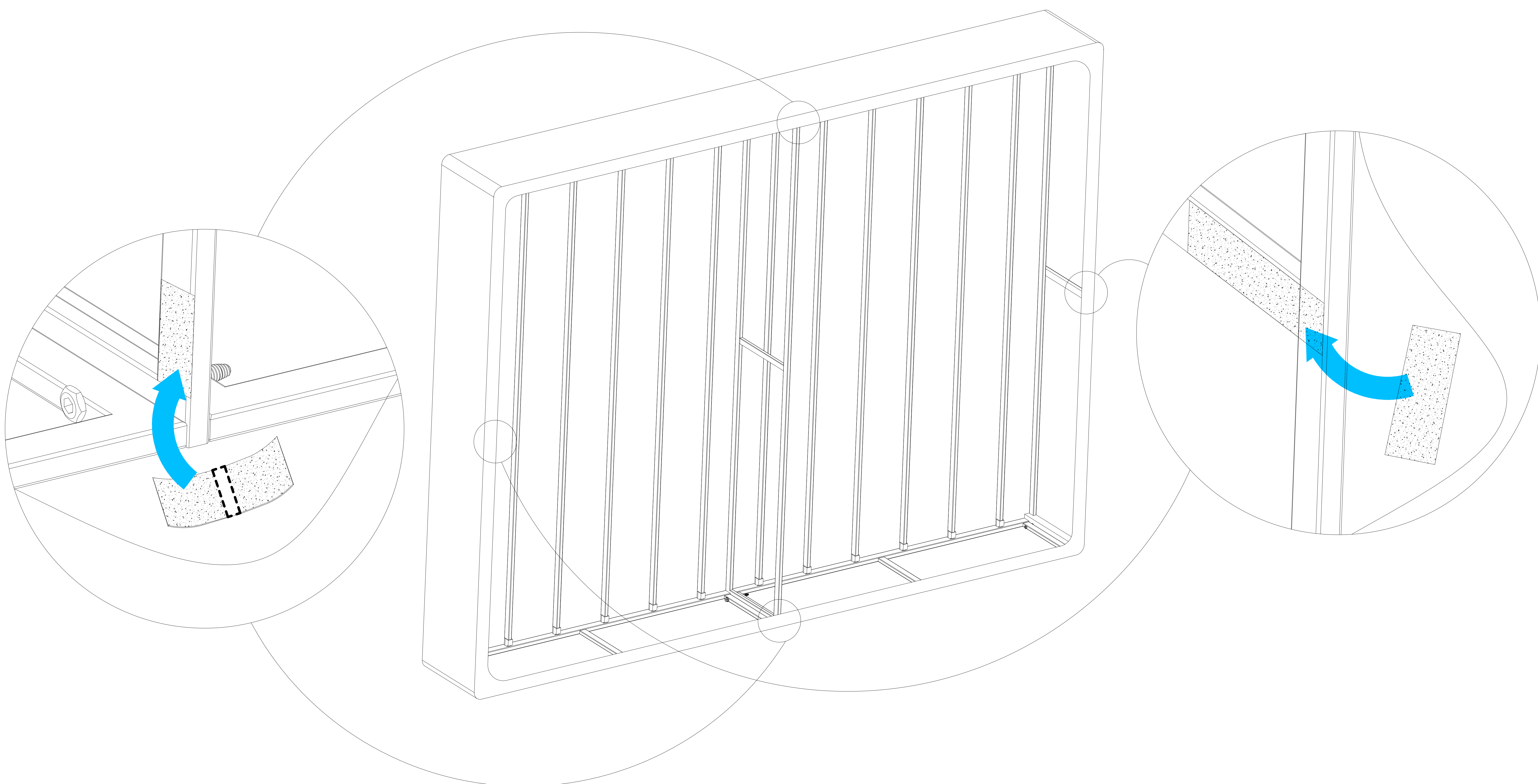


4



**DON'T TIGHTEN BOLTS UNTIL EVERYTHING IS IN PLACE!**

5



6

