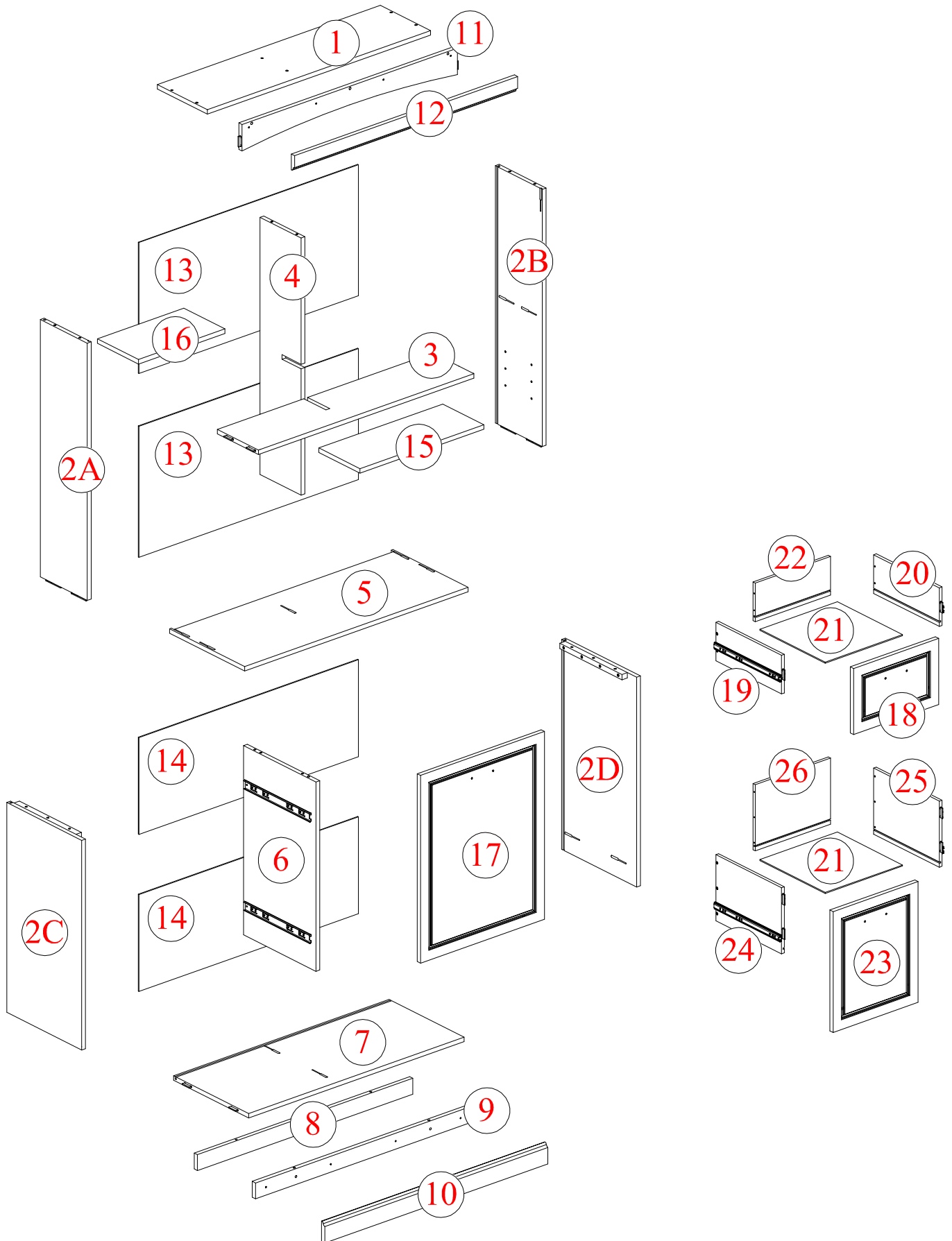


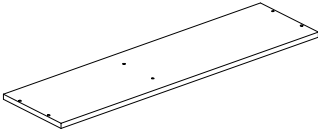
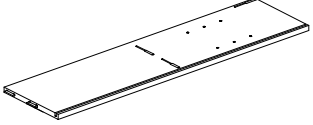
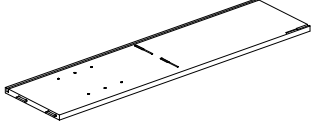
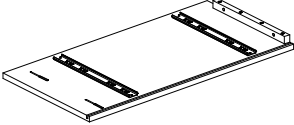
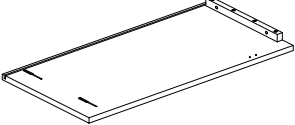
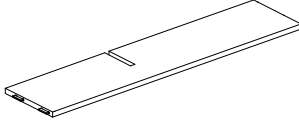
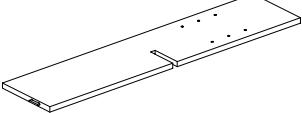
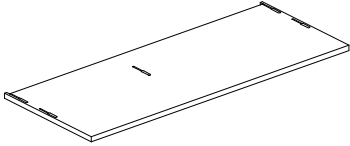
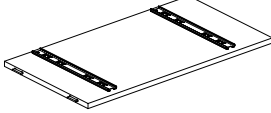
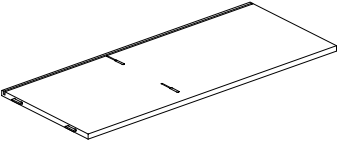
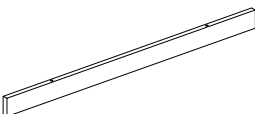
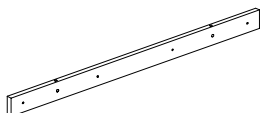
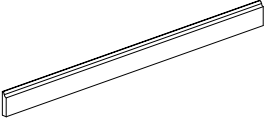
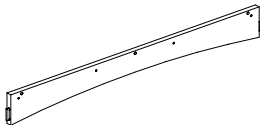

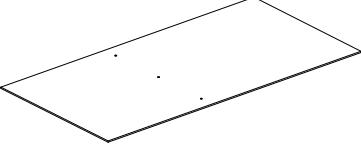
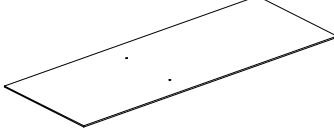
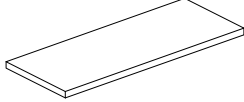
# ASSEMBLY INSTRUCTION



# ASSEMBLY INSTRUCTION

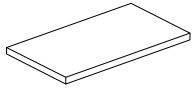


# Part List

|  |  |  |
|--|--|--|
| <p>1</p>  <p>Top of Cabinet - 1 pc</p>          | <p>2A</p>  <p>Upper left side - 1 pc</p>      | <p>2B</p>  <p>Upper right side - 1 pc</p>   |
| <p>2C</p>  <p>Lower left side - 1 pc</p>        | <p>2D</p>  <p>Lower right side - 1 pc</p>     | <p>3</p>  <p>Cabinet divider - 1 pc</p>     |
| <p>4</p>  <p>Cabinet divider - 1 pc</p>         | <p>5</p>  <p>Countertops - 1 pc</p>           | <p>6</p>  <p>Cabinet divider - 1 pc</p>     |
| <p>7</p>  <p>Bottom of the cabinet - 1 pc</p> | <p>8</p>  <p>Cabinet legs - 1 pc</p>        | <p>9</p>  <p>Cabinet legs - 1 pc</p>      |
| <p>10</p>  <p>Decorative bar - 1 pc</p>       | <p>11</p>  <p>Upper cross bar - 1 pc</p>    | <p>12</p>  <p>Decorative bar - 1 pc</p>   |
| <p>13</p>  <p>Upper back panels - 2 pcs</p>   | <p>14</p>  <p>Lower back panels - 2 pcs</p> | <p>15</p>  <p>Adjustable shelf - 1 pc</p> |

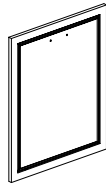
# Part List

16



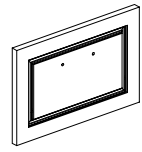
Adjustable shelf - 1 pc

17



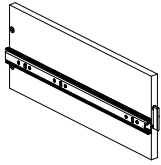
Cabinet door - 1 pc

18



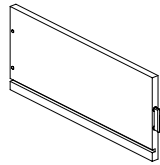
Drawer - Front side - 1 pc

19



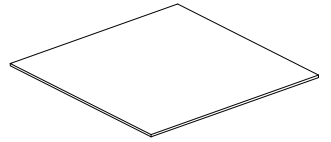
Drawer - Side rails - 1 pc

20



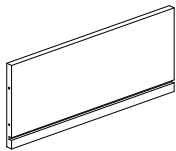
Drawer - Side rails - 1 pc

21



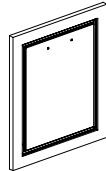
Drawer - Bottom Panels - 2 pcs

22



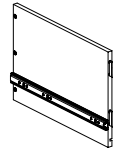
Drawer - Back Panels - 1 pc

23



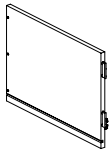
Drawer - Front side - 1 pc

24



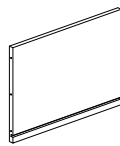
Drawer - Side rails - 1 pc

25





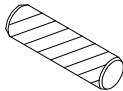
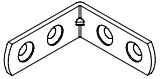

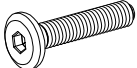
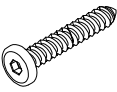
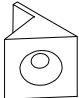
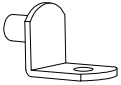
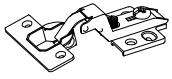

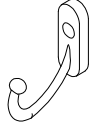
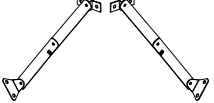
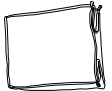
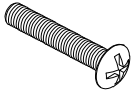
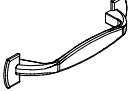
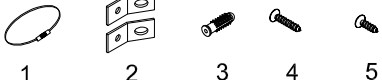

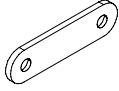
Drawer - Side rails - 1 pc

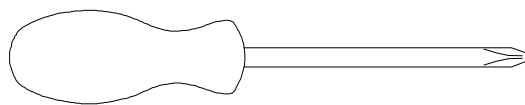
26



Drawer - Back Panels - 1 pc

# Hardware List

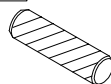
|   |   |  |
|---|---|--|
| <p><b>A</b></p>  <p>Steel Bracket - 10 pcs</p>         | <p><b>B</b></p>  <p>M3.5 x 15 mm Wood Screws 102 pcs</p> | <p><b>C</b></p>  <p>Ø8 x 30 mm Wood dowel 8 pcs</p>               |
| <p><b>D</b></p>  <p>Steel Bracket - 4 pcs</p>          | <p><b>E</b></p>  <p>M4 x 30 mm Wood Screws 18 pcs</p>    | <p><b>F</b></p>  <p>1/4" x 30 mm Hex-Head bolts 4 pcs</p>         |
| <p><b>G</b></p>  <p>1/4" x 50 mm Wood Screws 6 pcs</p> | <p><b>H</b></p>  <p>Plastic Wedges 20 pcs</p>            | <p><b>I</b></p>  <p>Support Pin (9mm) 8 pcs</p>                   |
| <p><b>J</b></p>  <p>Side Door Hinge - 2 pcs</p>       | <p><b>K</b></p>  <p>1 2<br/>Clamp pin 2 set</p>          | <p><b>L</b></p>  <p>Hanger 4 pcs</p>                             |
| <p><b>M</b></p>  <p>Crankshaft 1 set (1L-1R)</p>     | <p><b>N</b></p>  <p>Cloth Bag - 1 pc</p>               | <p><b>O</b></p>  <p>M4 x 20 mm Truss Head Wood Screws 6 pcs</p> |
| <p><b>P</b></p>  <p>Cabinet Door 3 pcs</p>           | <p><b>Q</b></p>  <p>1 2 3 4 5<br/>Anti Fall 2 set</p> | <p><b>R</b></p>  <p>Allen Key 1 pc</p>                          |
| <p><b>S</b></p>  <p>Steel Bracket 2 pcs</p>          |   |  |



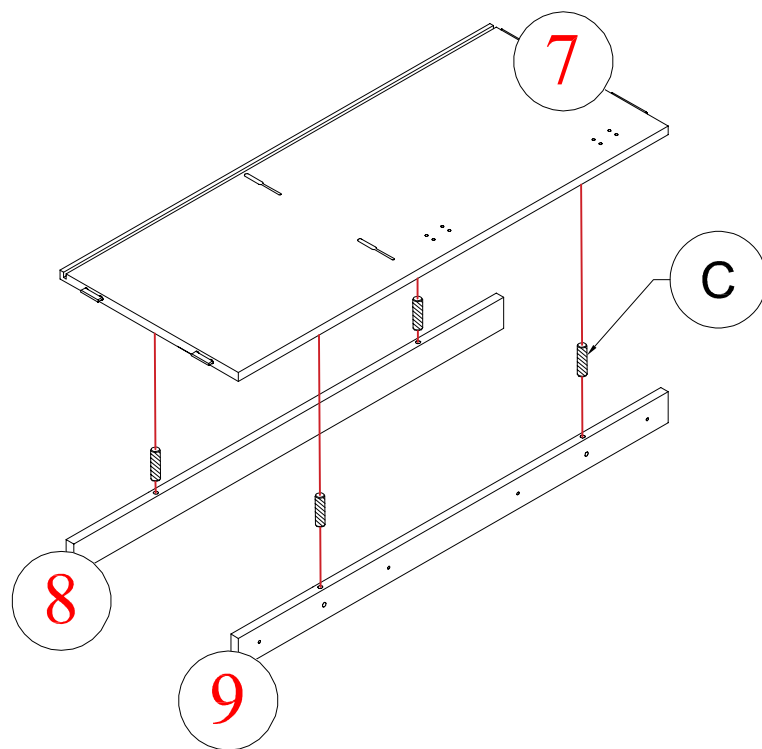
**Assembly Tools Required (Not Included)**

# STEP 1: Following below illustration:

C



4pcs



# STEP 2: Following below illustration:

A

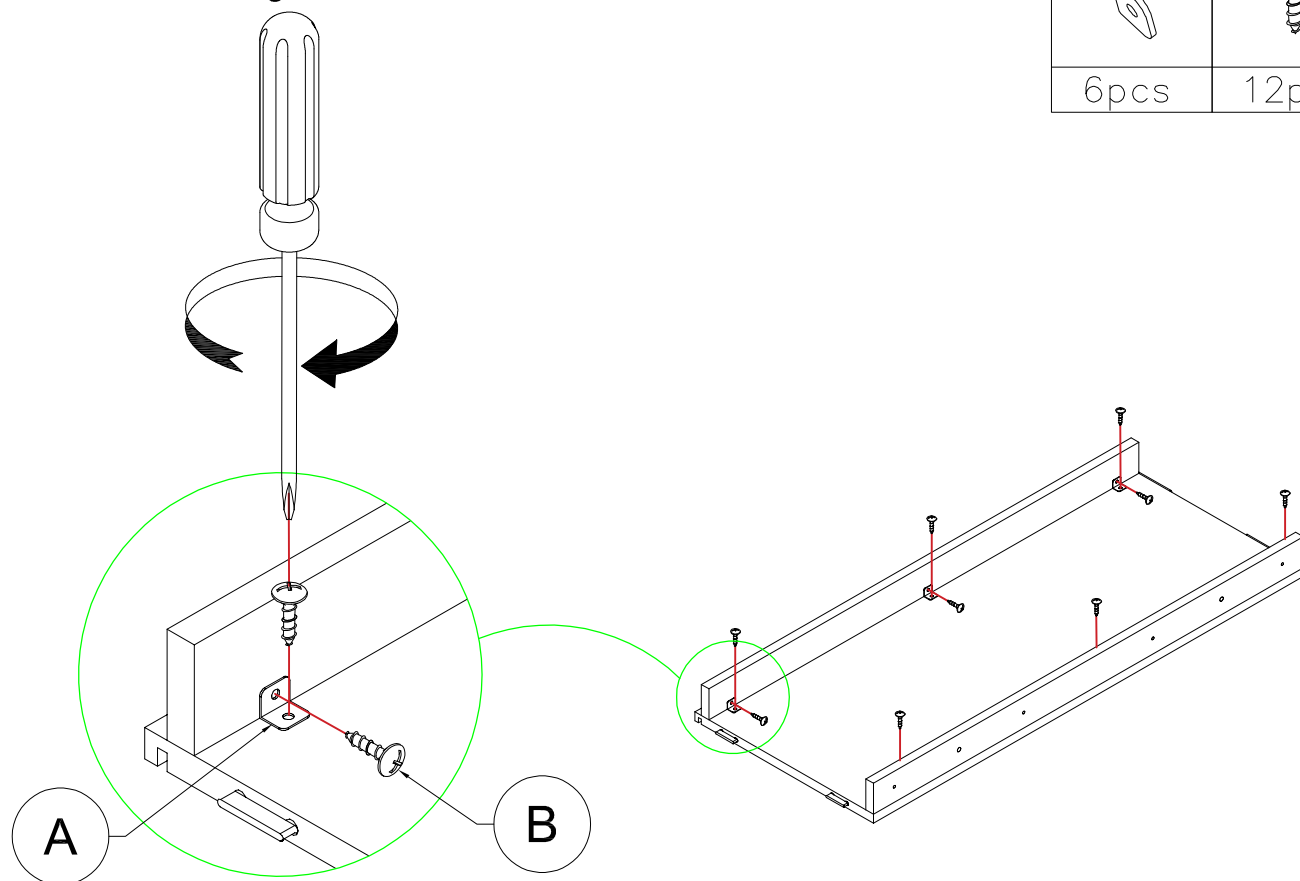


6pcs

B

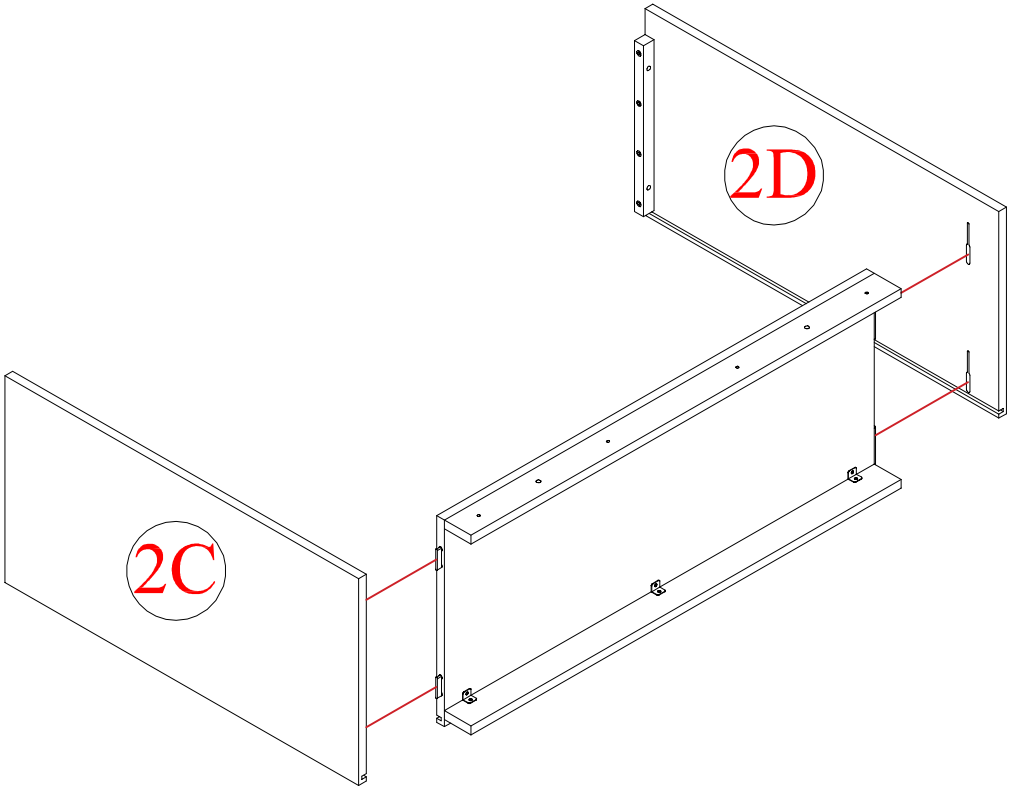


12pcs

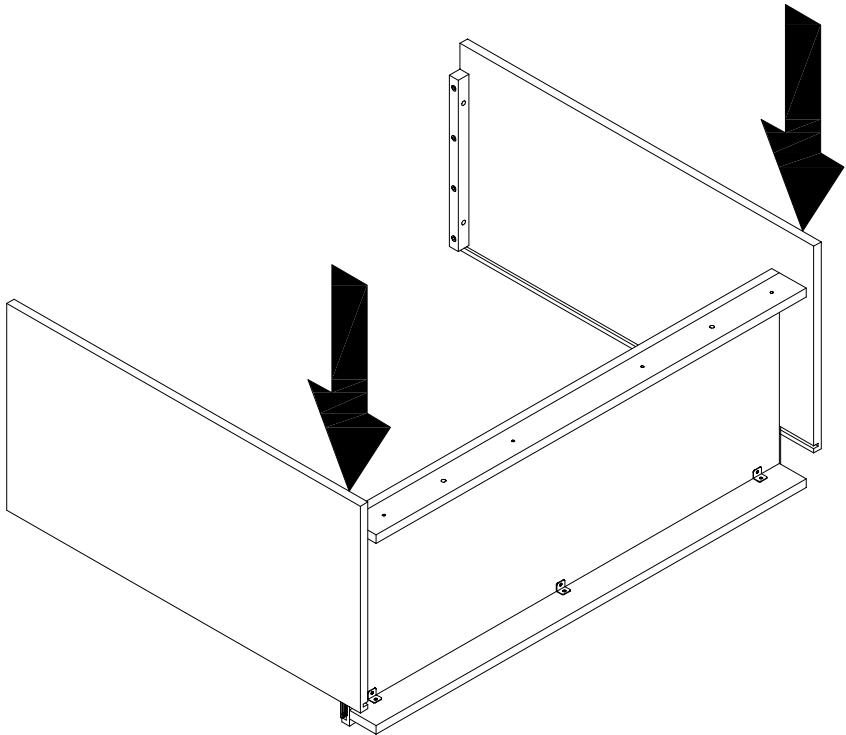


6



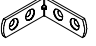
**STEP 3:** Following below illustration:

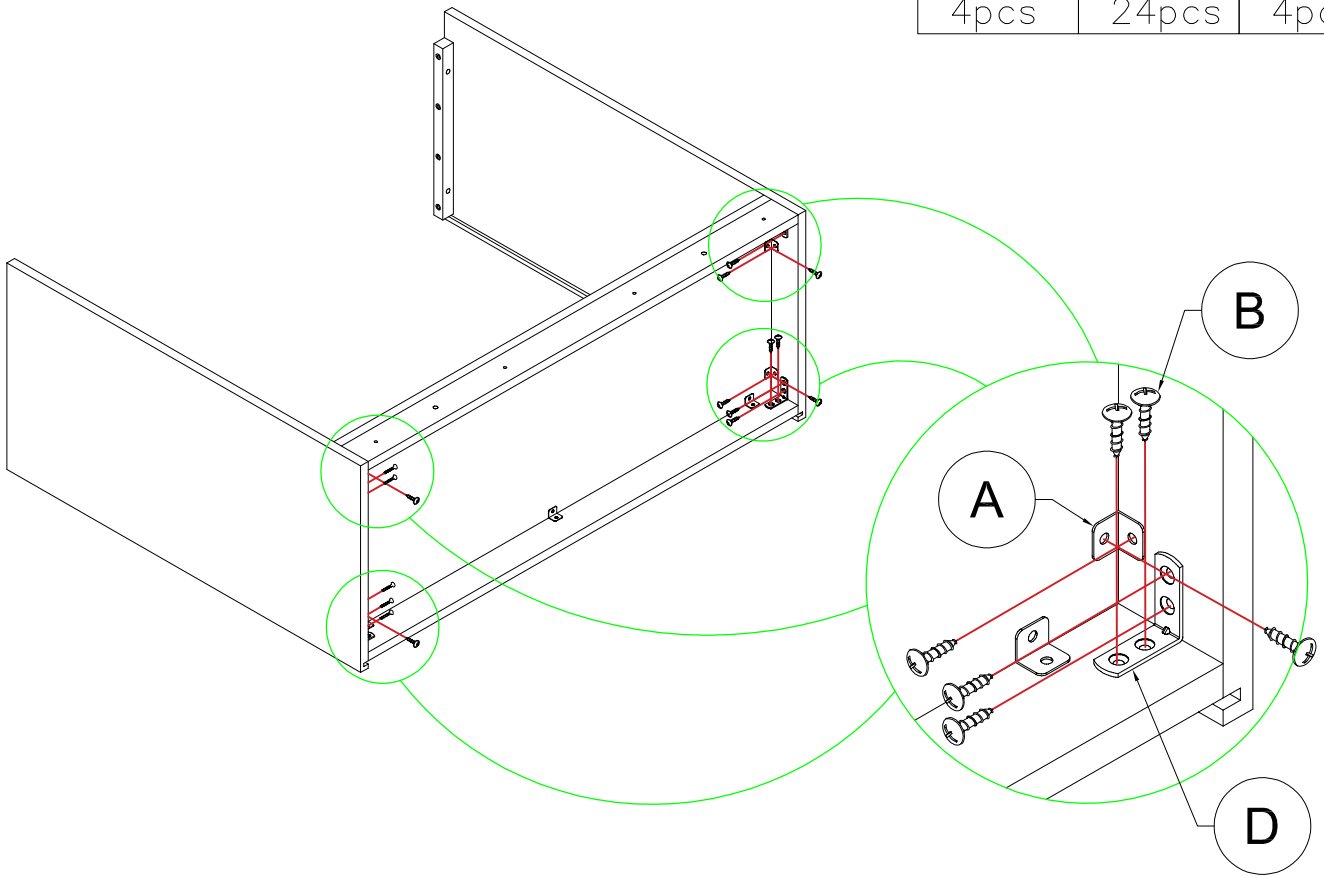


**STEP 4:** Following below illustration:

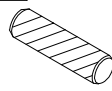



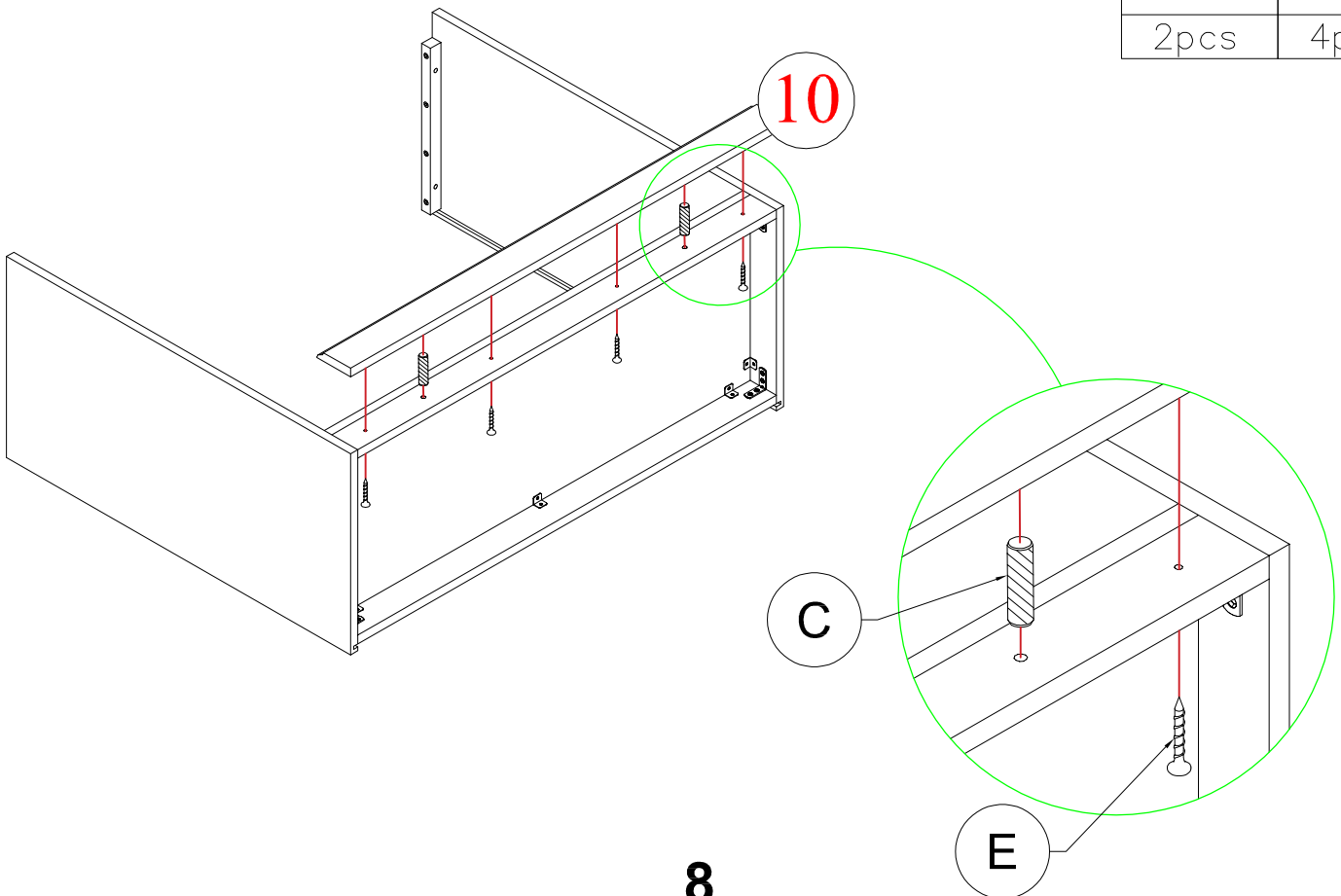
# STEP 5: Following below illustration:

|  |  |   |
|--|--|---|
| <b>A</b><br> | <b>B</b><br> | <b>D</b><br> |
| 4pcs   | 24pcs  | 4pcs  |

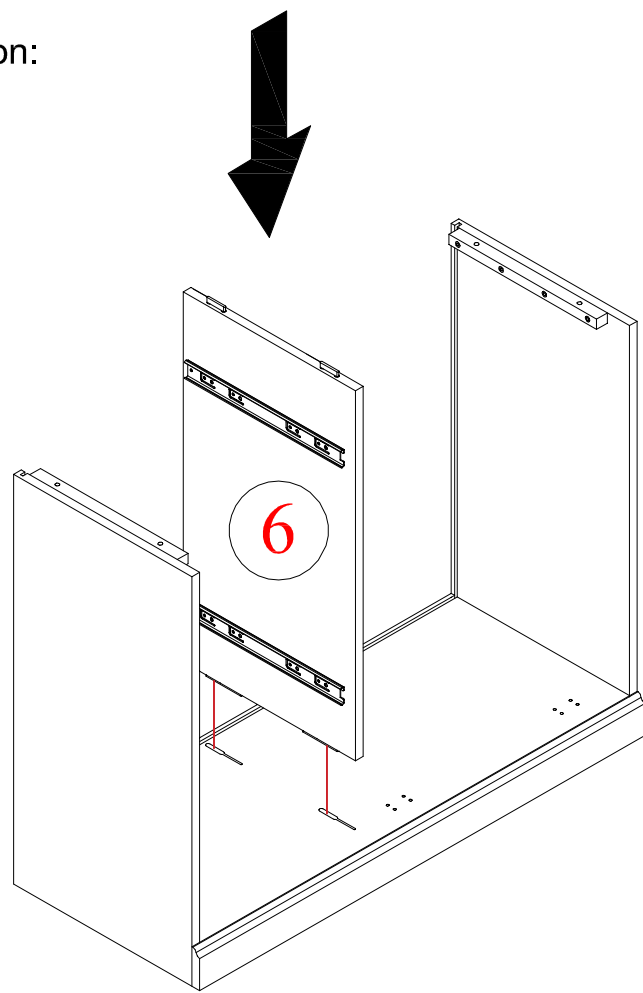


# STEP 6: Following below illustration:

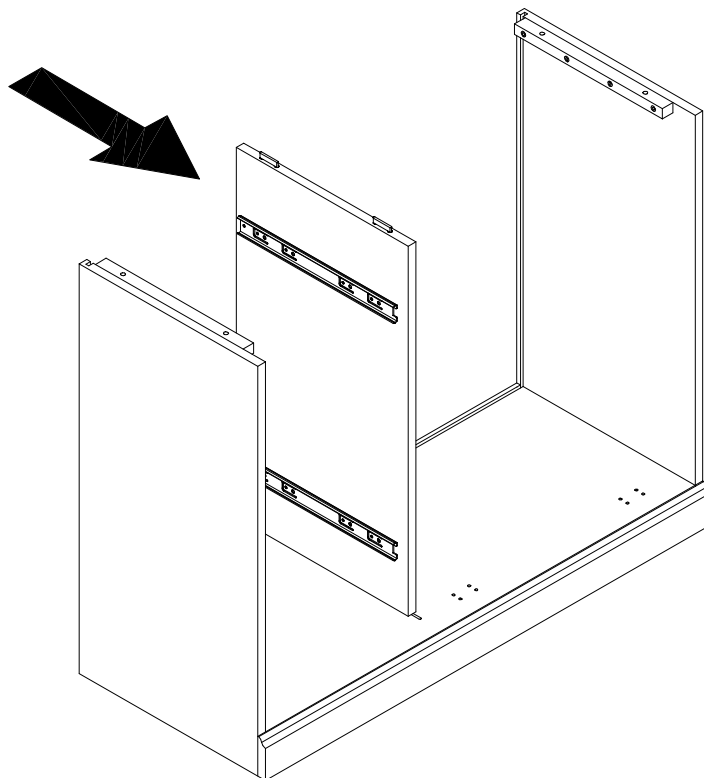
|   |   |
|---|---|
| <b>C</b><br> | <b>E</b><br> |
| 2pcs  | 4pcs  |



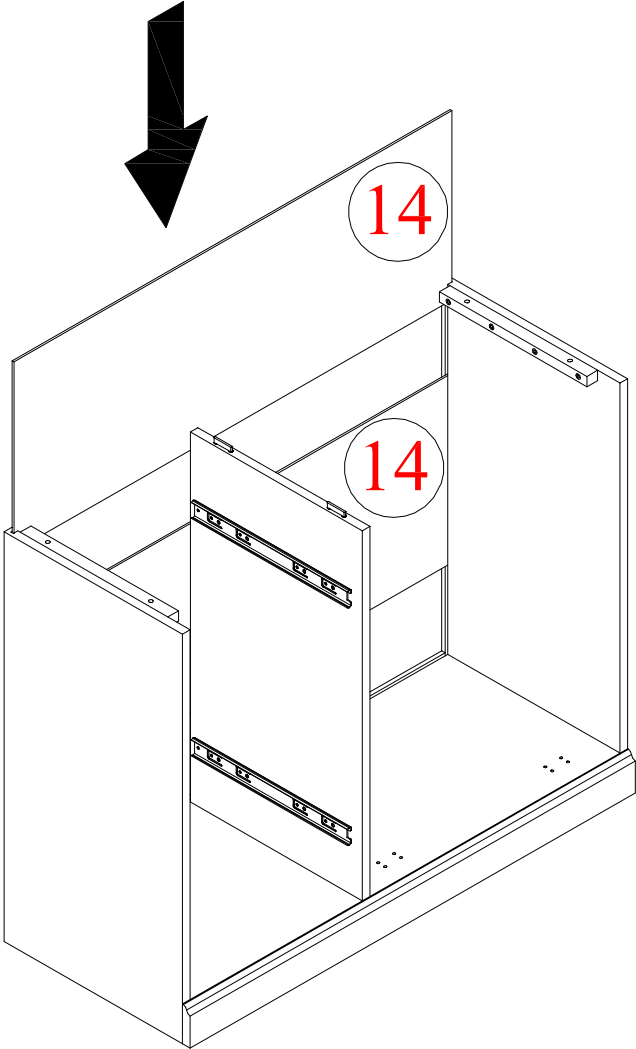
**STEP 7:** Following below illustration:



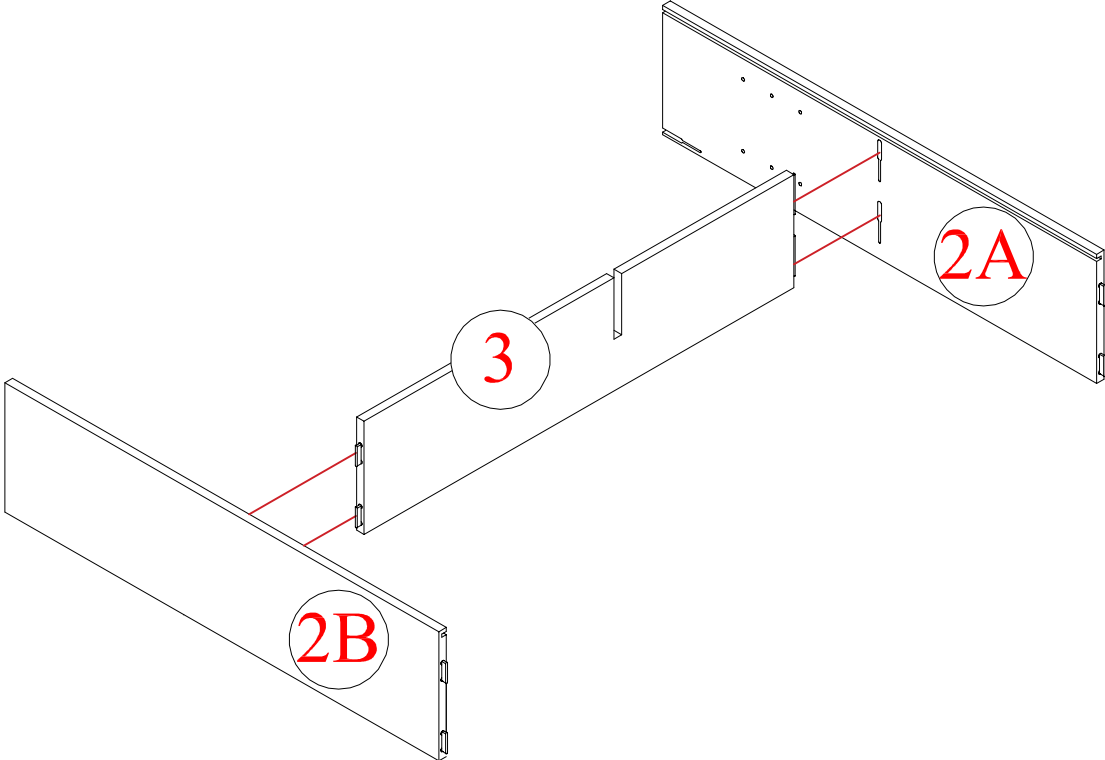
**STEP 8:** Following below illustration:



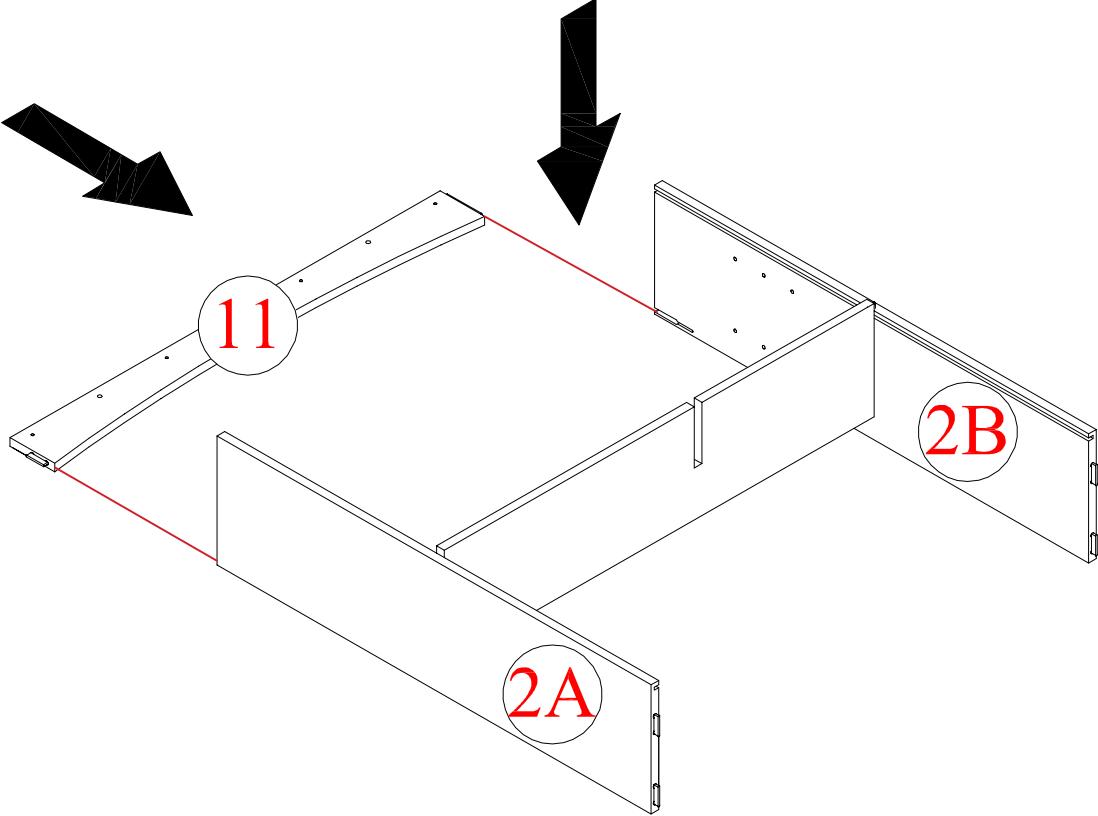
**STEP 9:** Following below illustration:



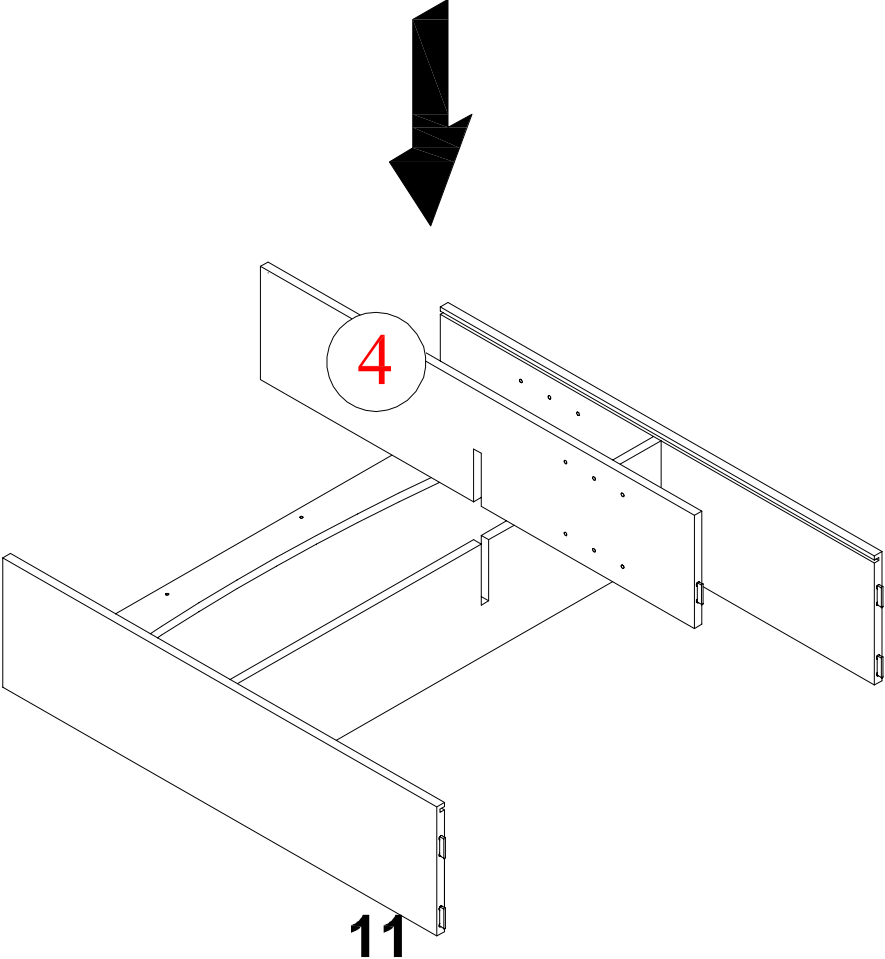
**STEP 10:** Following below illustration:



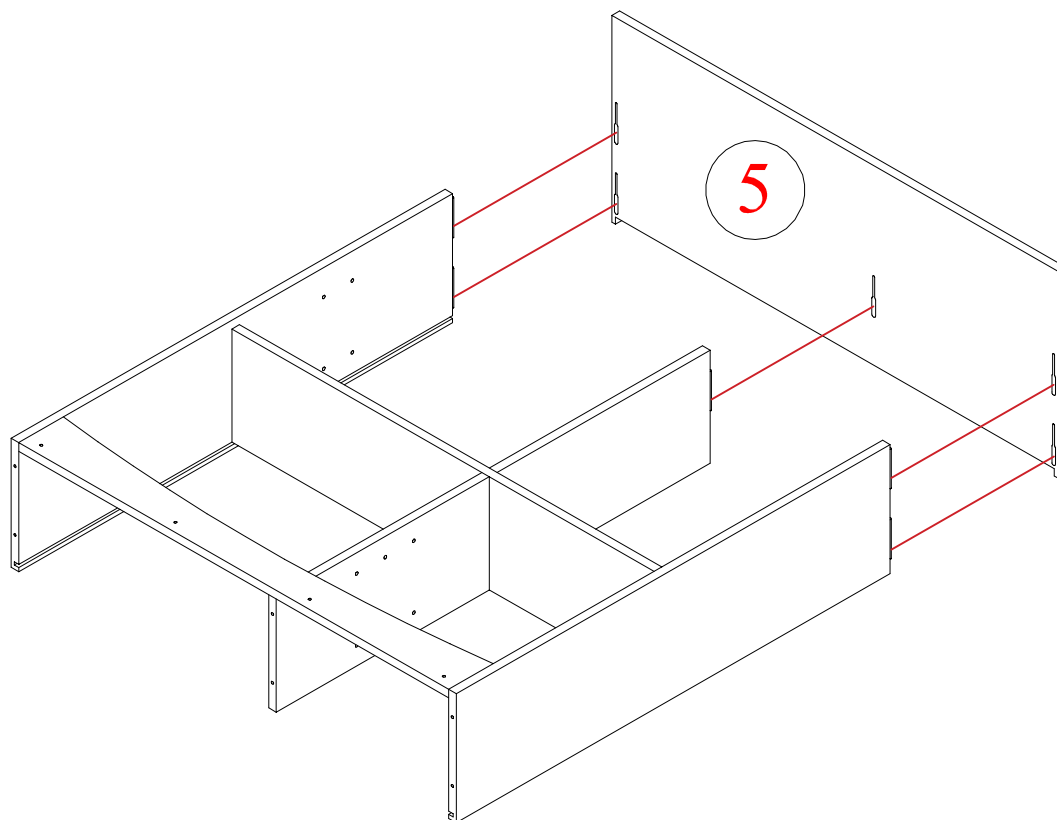
**STEP 11:** Following below illustration:



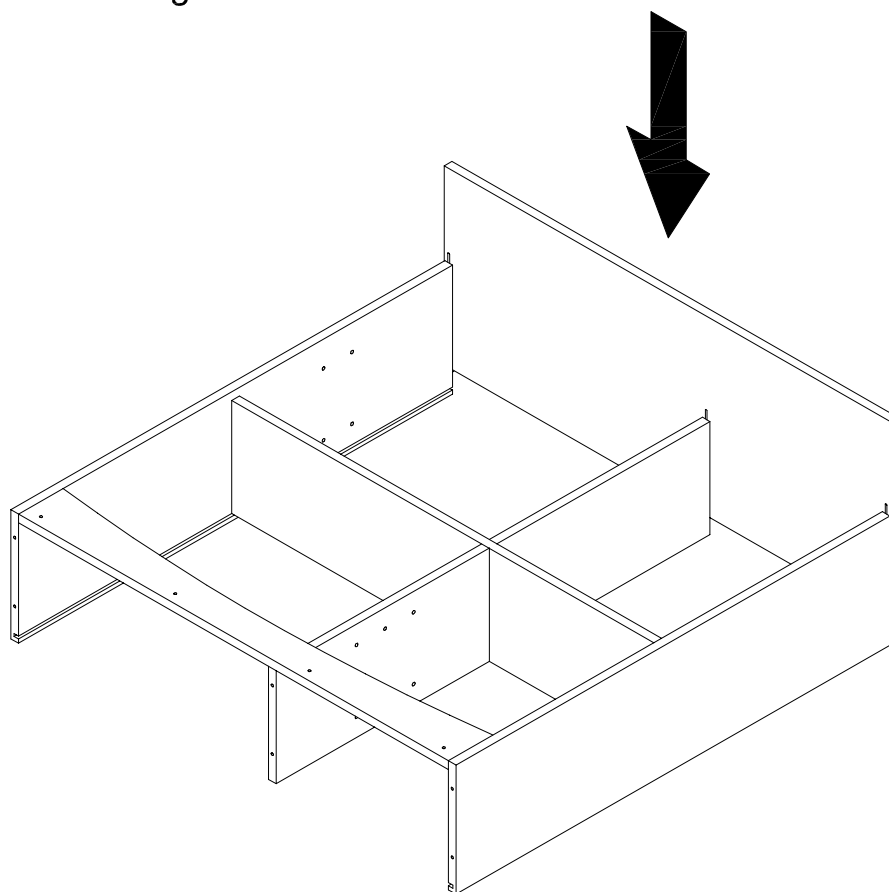
**STEP 12:** Following below illustration:



**STEP 13:** Following below illustration:



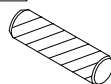
**STEP 14:** Following below illustration:



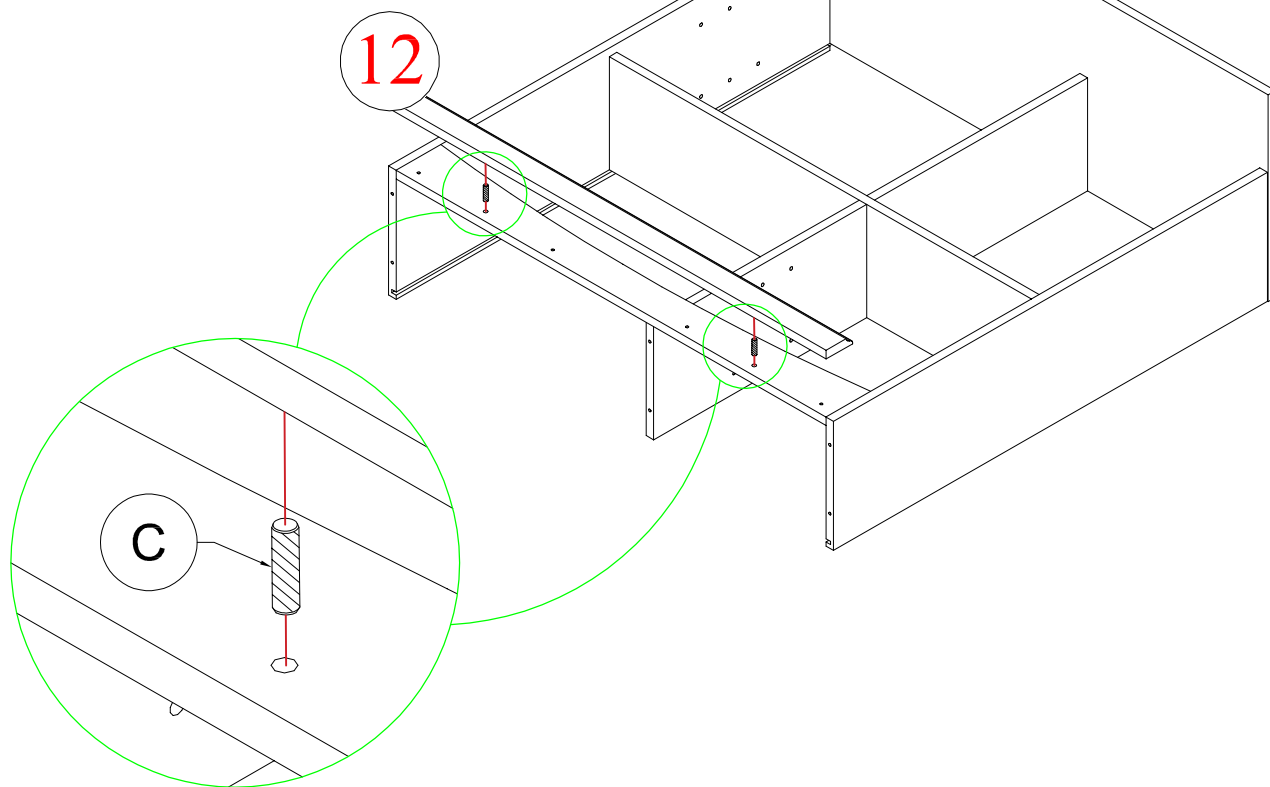
**12**

**STEP 15:** Following below illustration:

C



2pcs

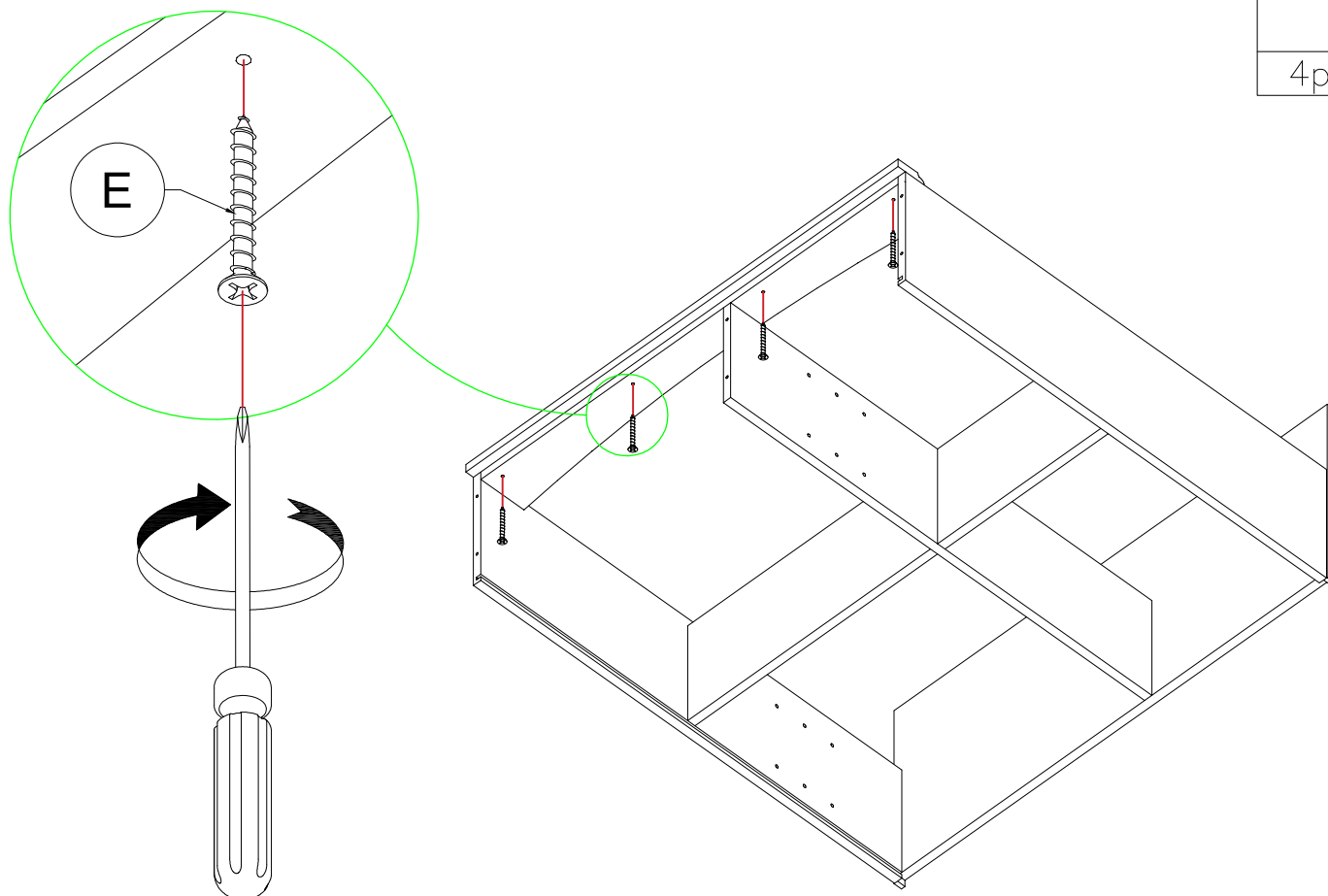


**STEP 16:** Following below illustration:

E

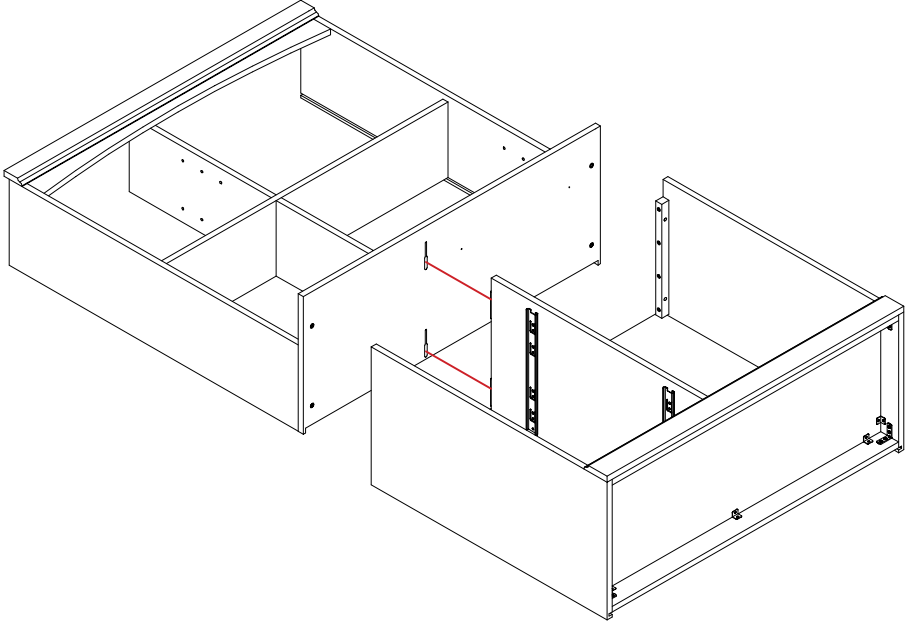


4pcs

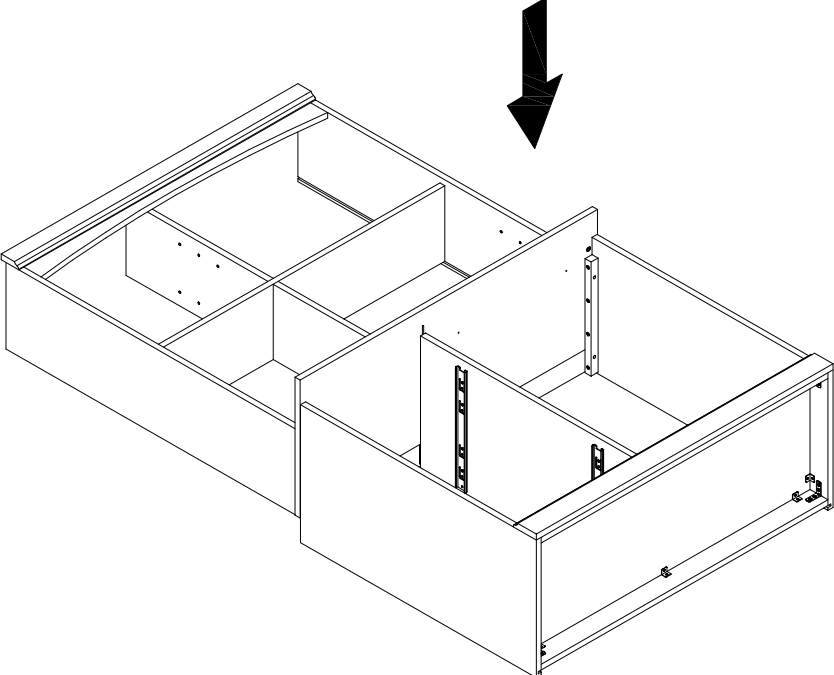


**13**



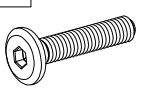
**STEP 17:** Following below illustration:

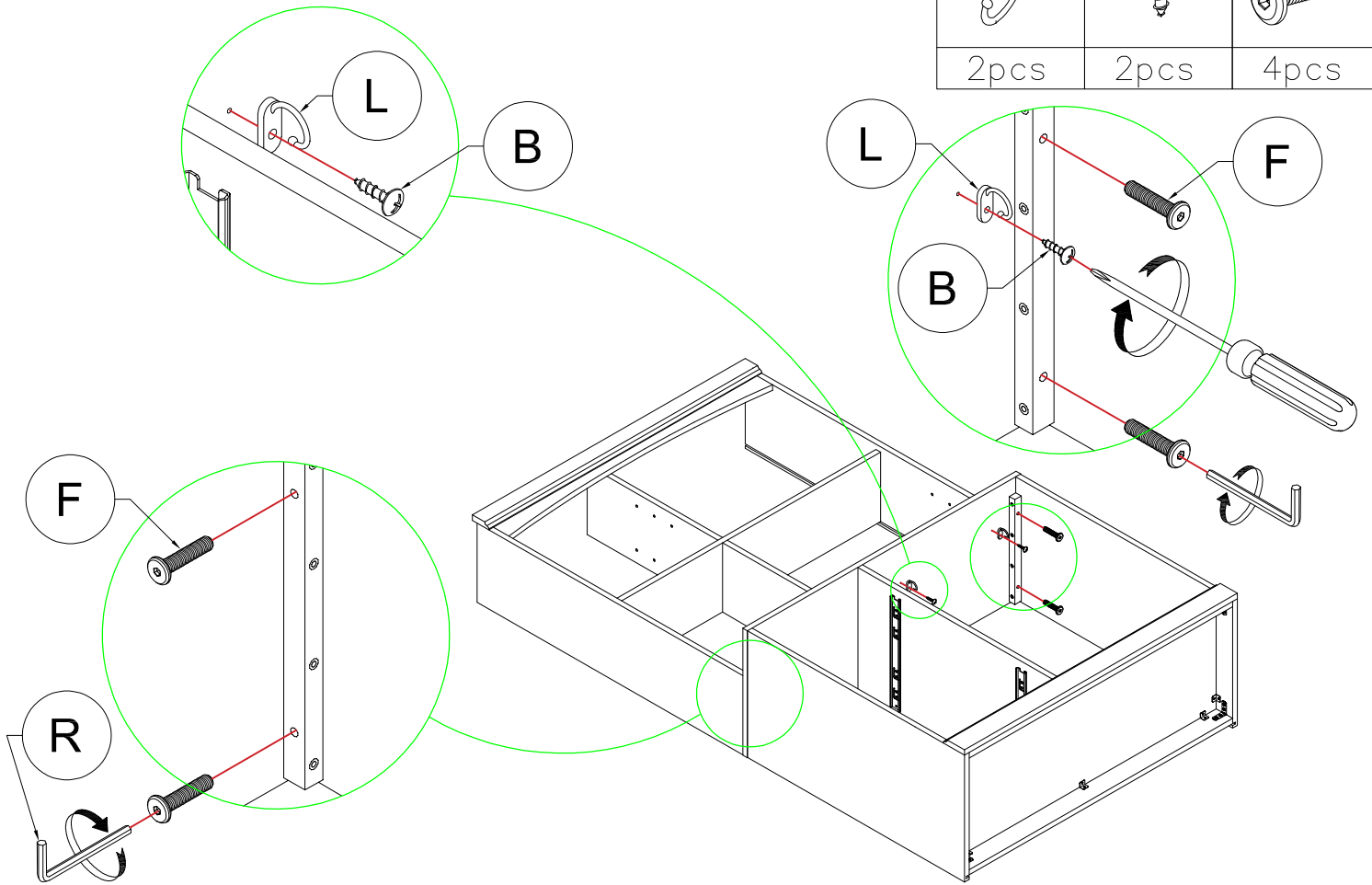


**STEP 18:** Following below illustration:

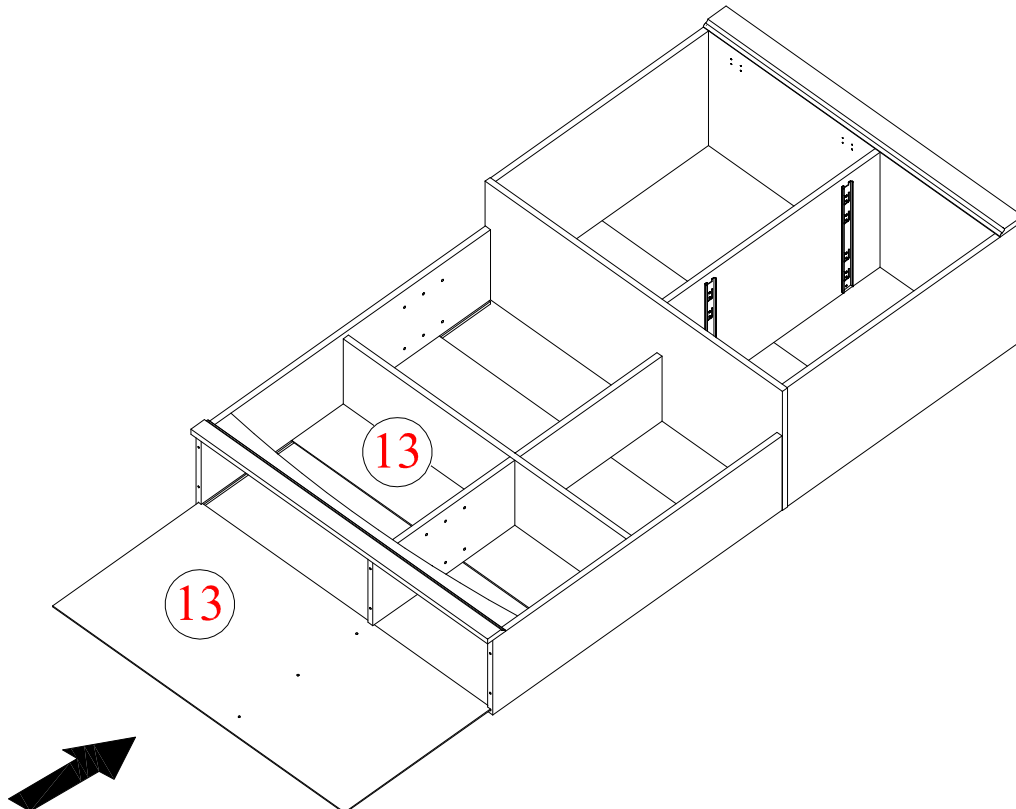


# STEP 19: Following below illustration:

|  |  |  |
|--|--|--|
| L  | B  | F  |
|  |  |  |
| 2pcs   | 2pcs   | 4pcs   |



# STEP 20: Following below illustration:

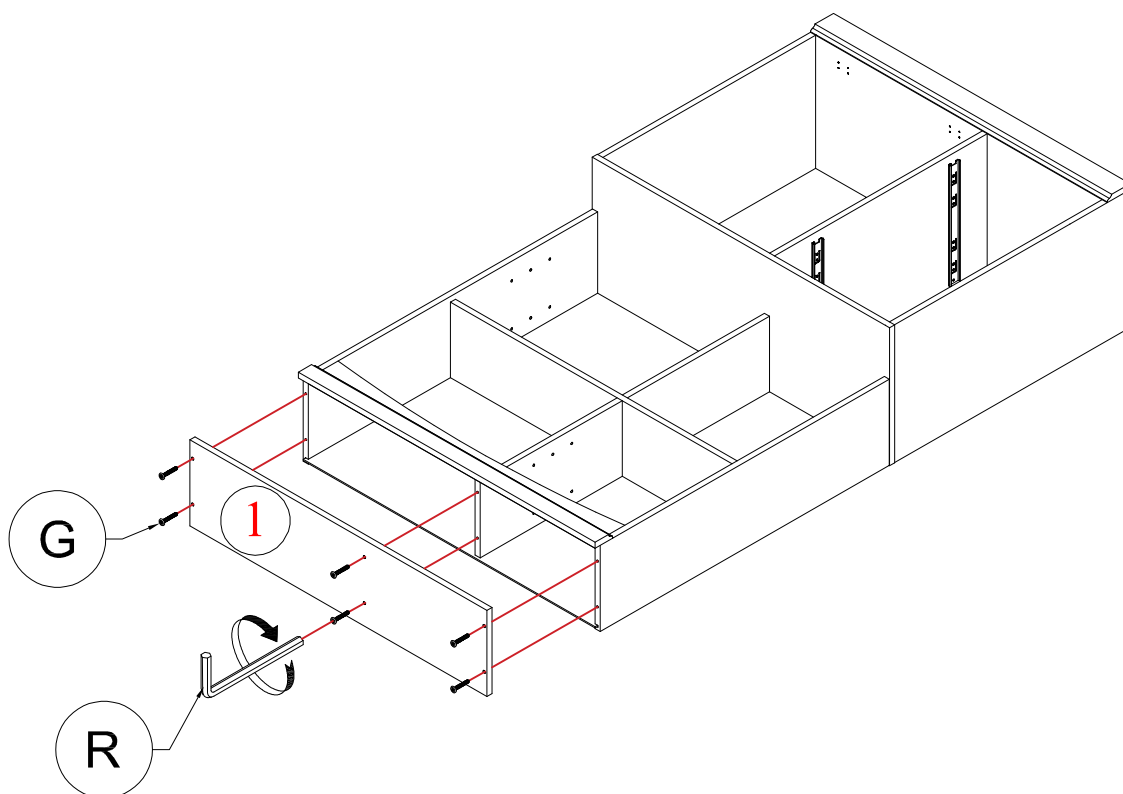


**STEP 21:** Following below illustration:

G



6pcs



**STEP 22:** Following below illustration:

H

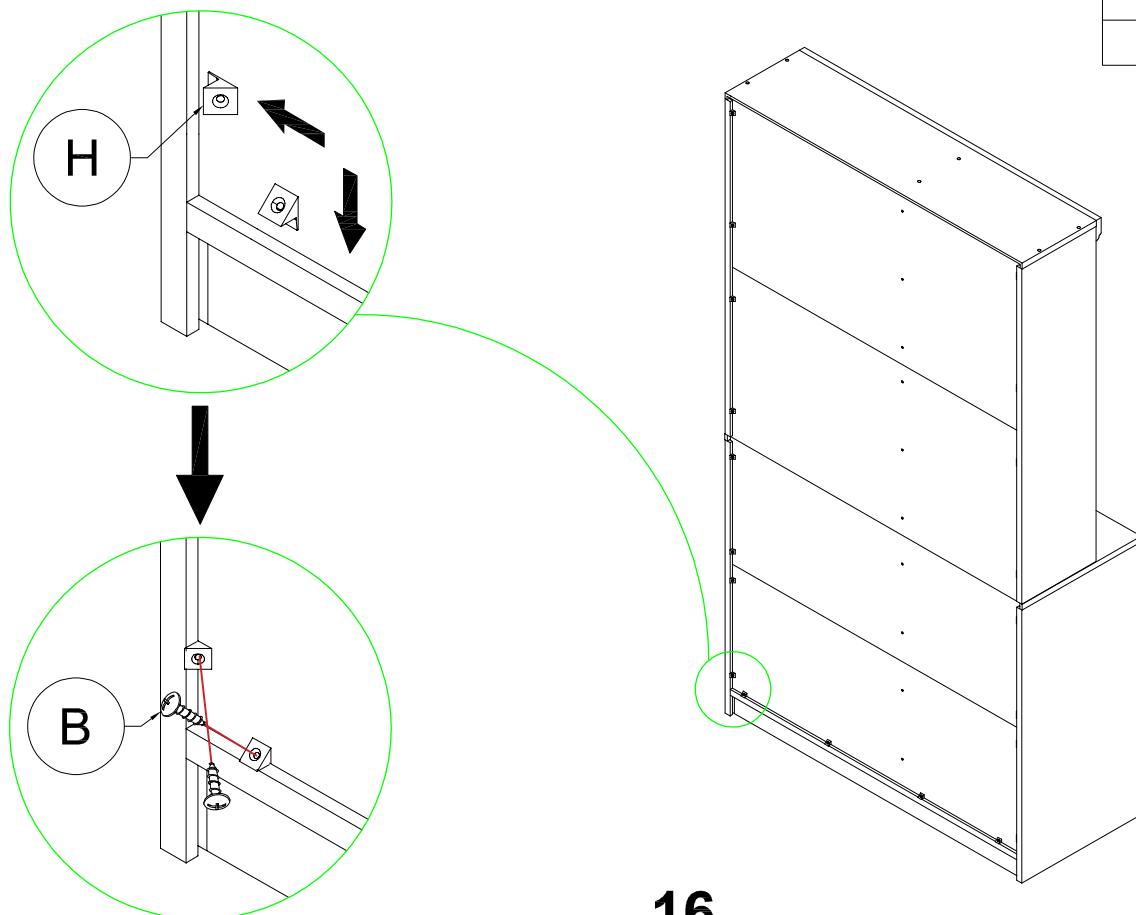


20pcs

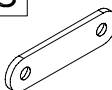

B

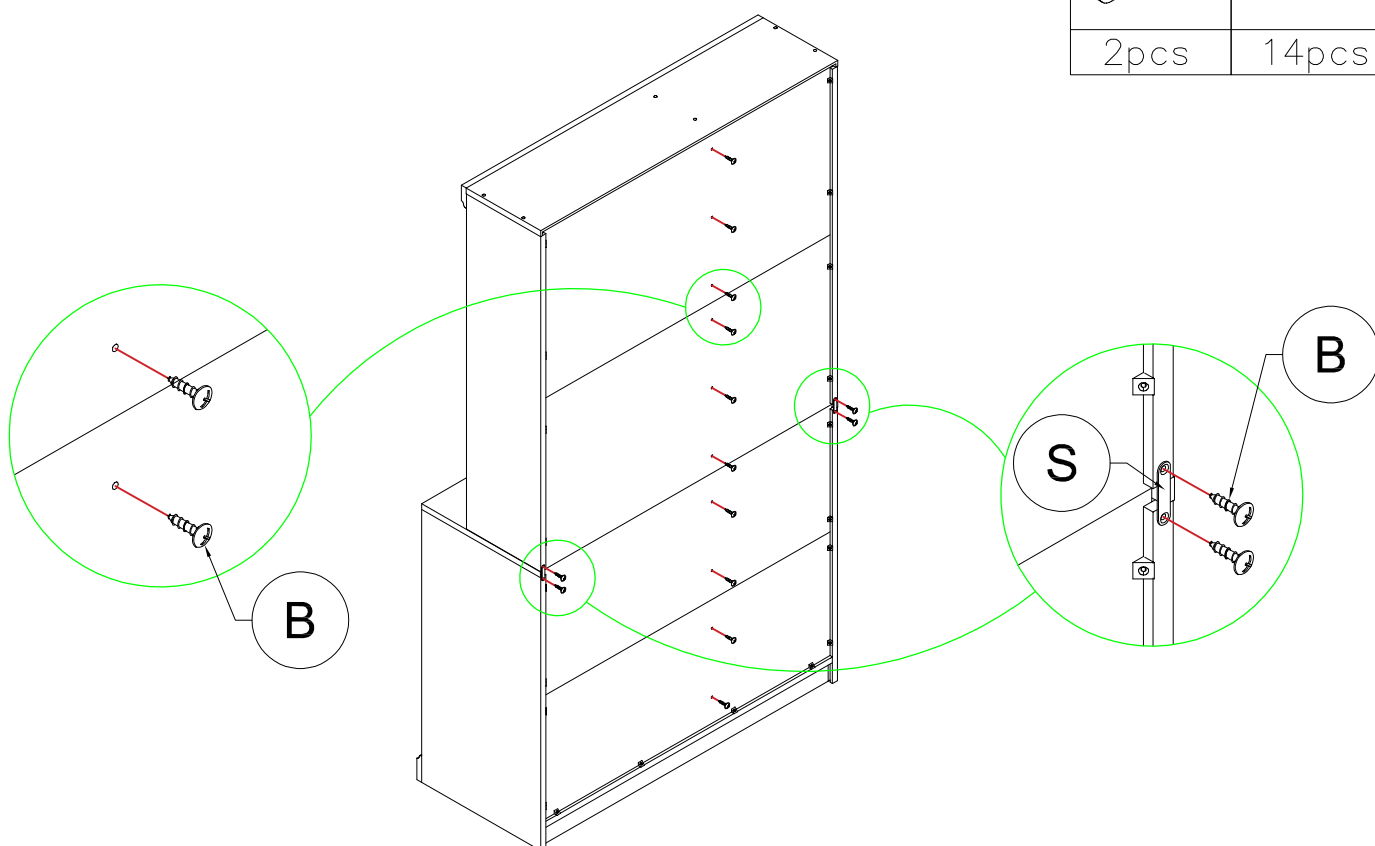


20pcs

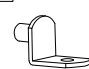


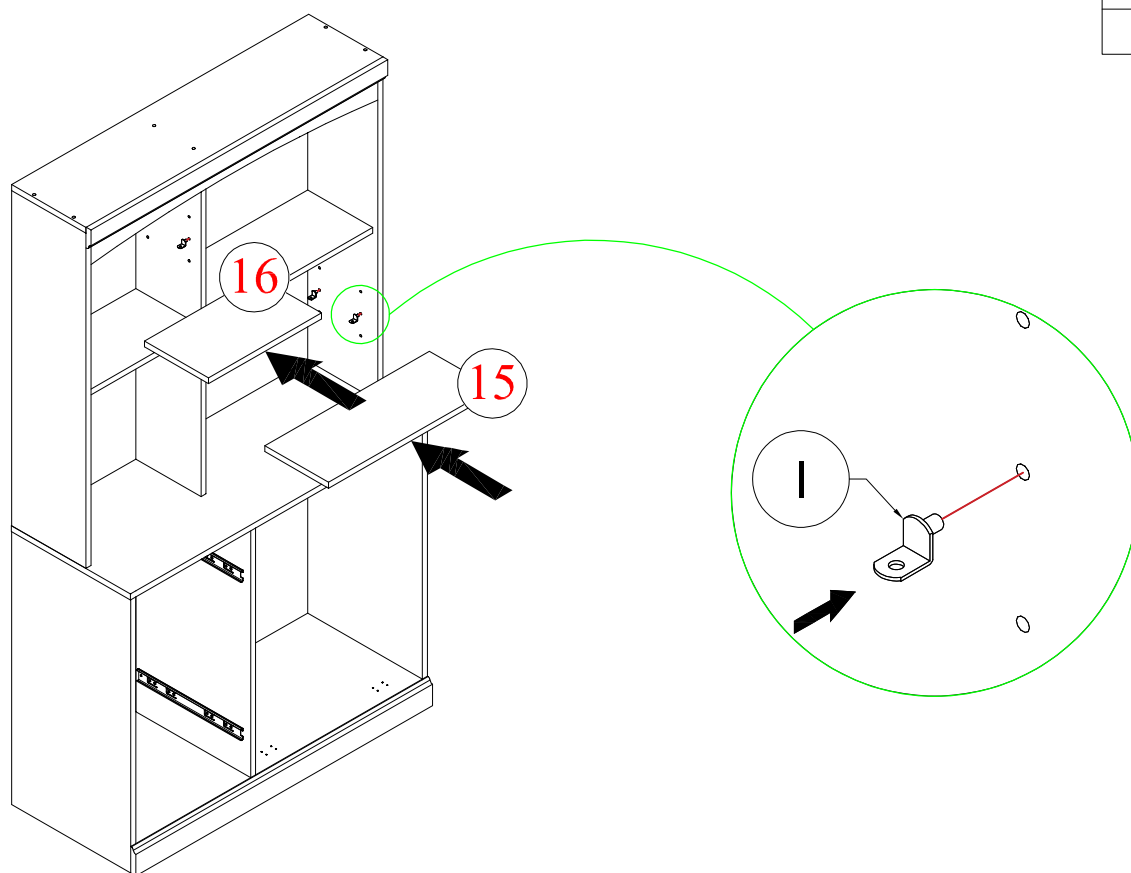
# STEP 23: Following below illustration:

|          |  |          |  |
|----------|--|----------|--|
| <b>S</b> |  | <b>B</b> |  |
|          | 2pcs   |          | 14pcs  |



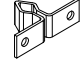



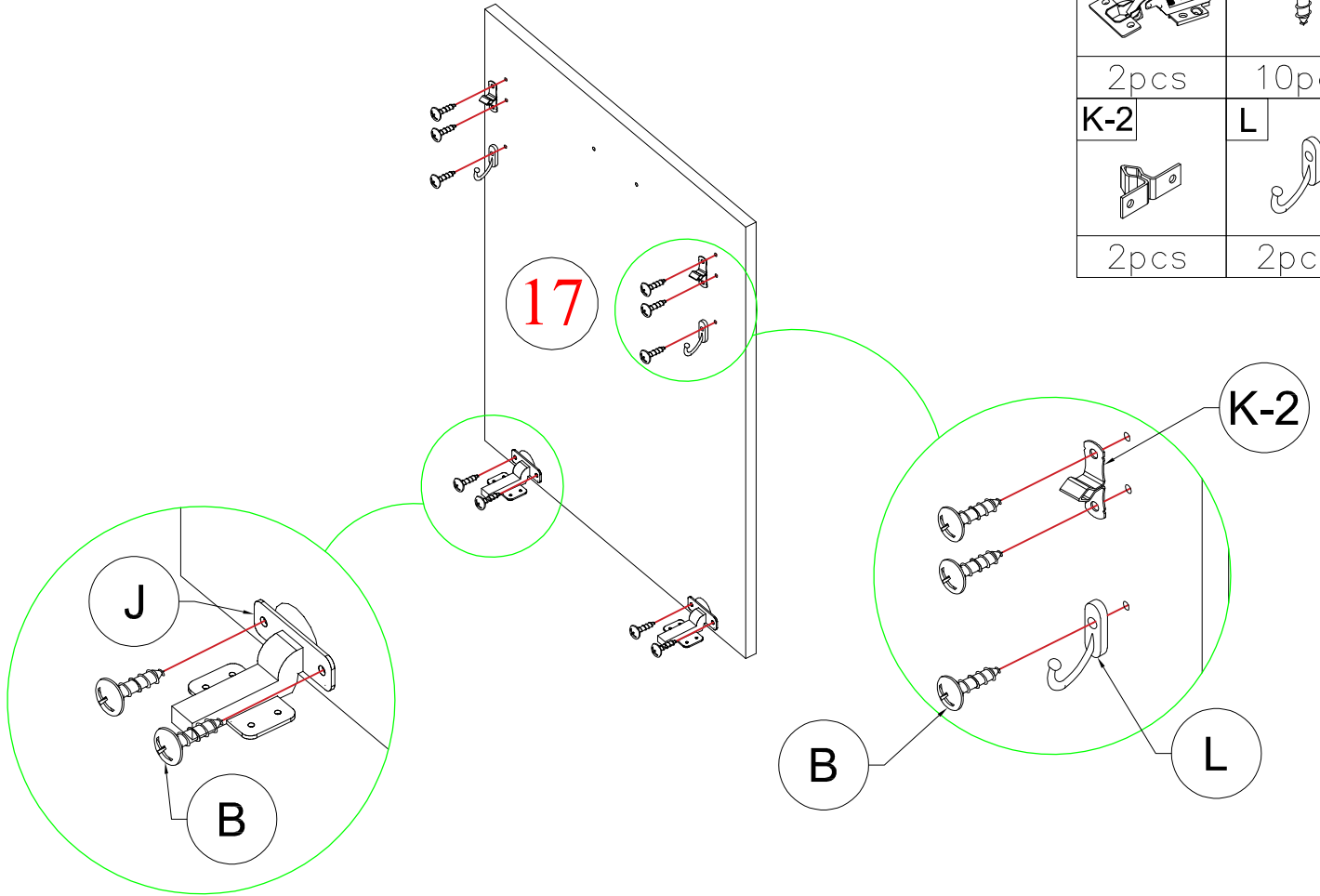
# STEP 24: Following below illustration:

|          |   |
|----------|---|
| <b>I</b> |  |
|          | 8pcs  |

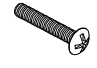
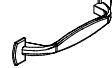


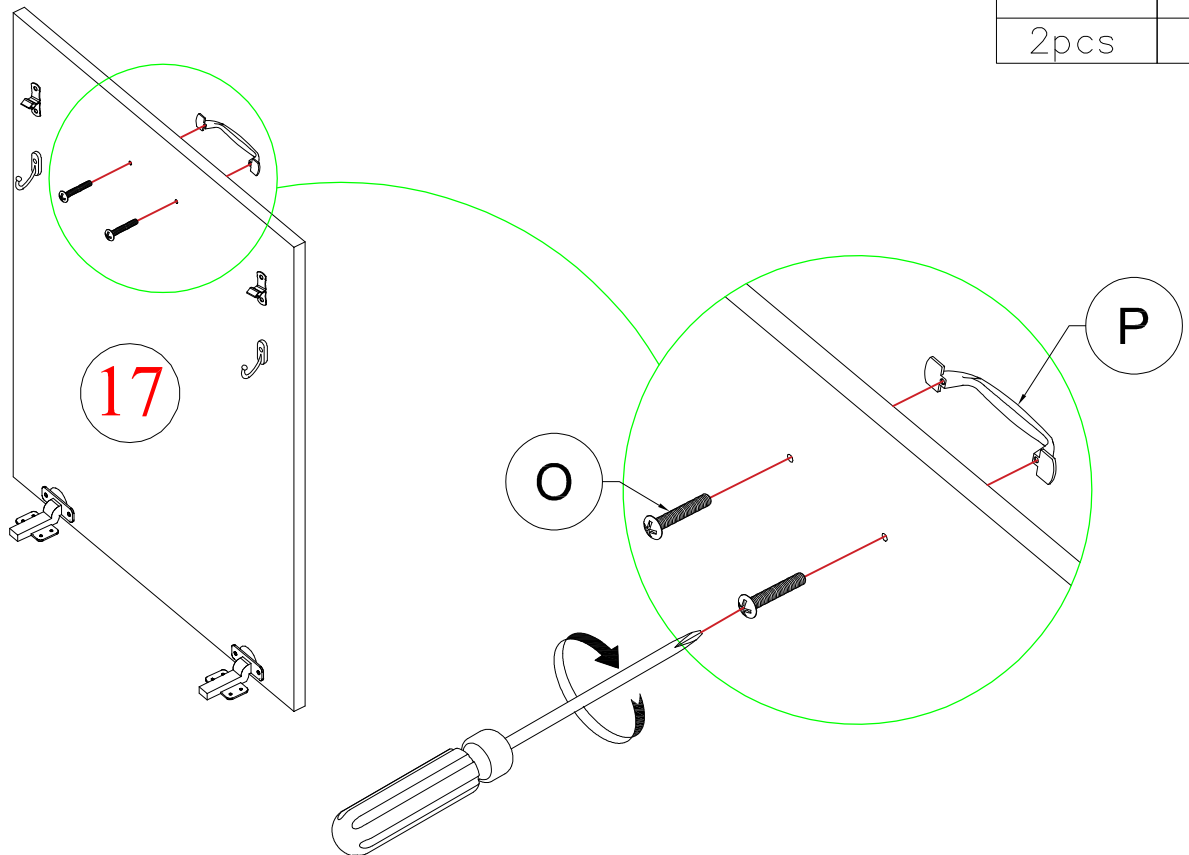
# STEP 25: Following below illustration:

|   |   |
|---|---|
| <b>J</b><br>   | <b>B</b><br>  |
| 2pcs  | 10pcs   |
| <b>K-2</b><br> | <b>L</b><br> |
| 2pcs  | 2pcs  |


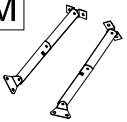


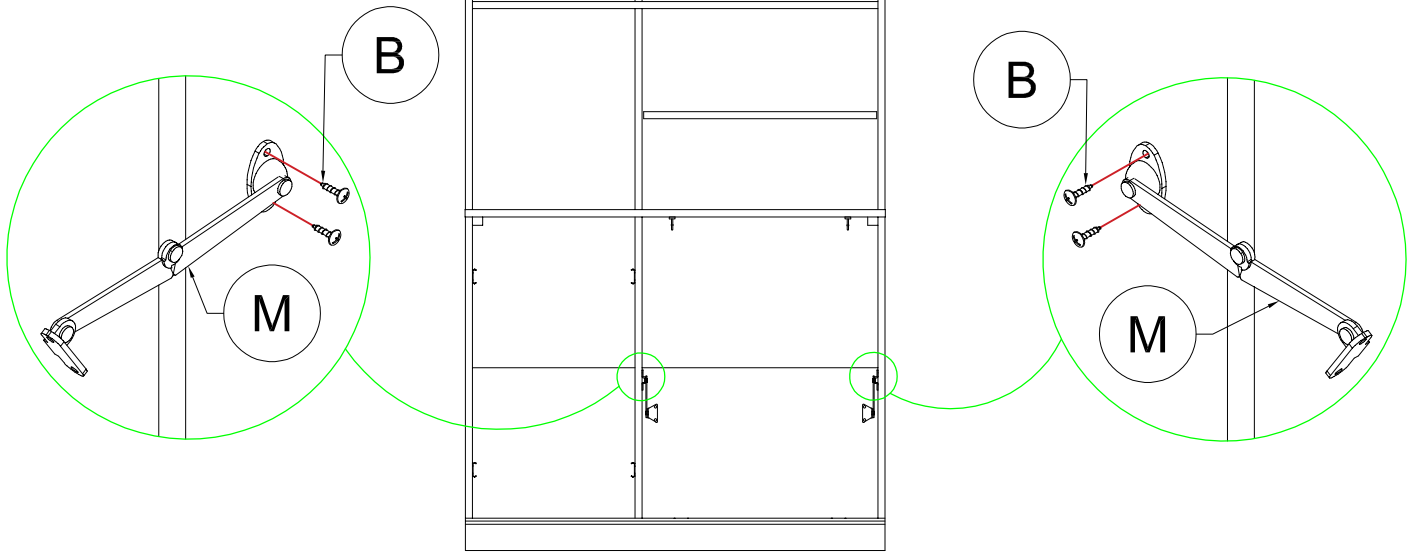
# STEP 26: Following below illustration:

|   |   |
|---|---|
| <b>O</b><br> | <b>P</b><br> |
| 2pcs  | 1pc   |

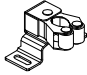



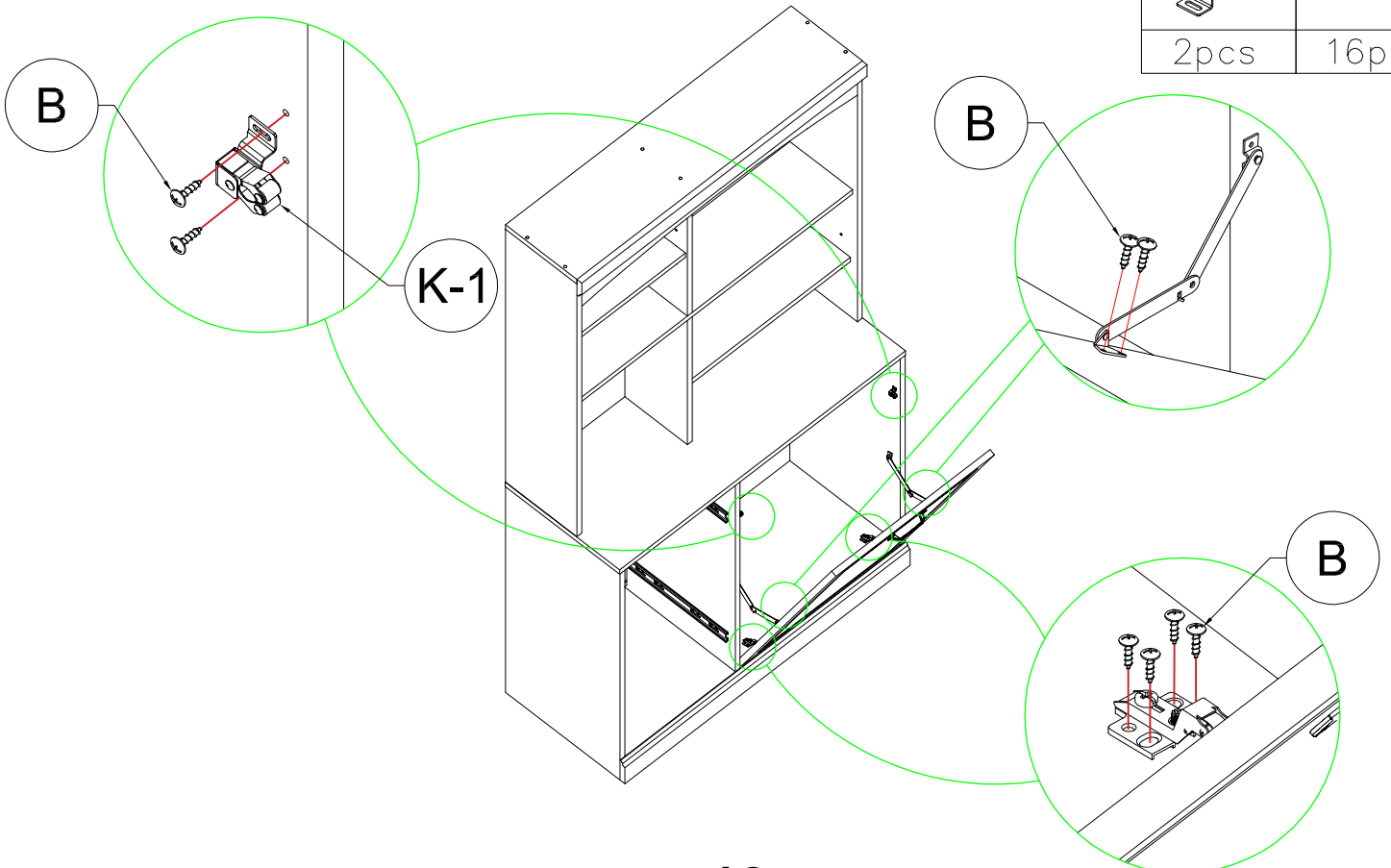
# STEP 27: Following below illustration:

|          |  |          |  |
|----------|--|----------|--|
| <b>B</b> |  | <b>M</b> |  |
| 4pcs     |  | 1set     |  |



# STEP 28: Following below illustration:

|   |   |
|---|---|
| <b>K-1</b>  | <b>B</b>  |
|  |  |
| 2pcs  | 16pcs   |

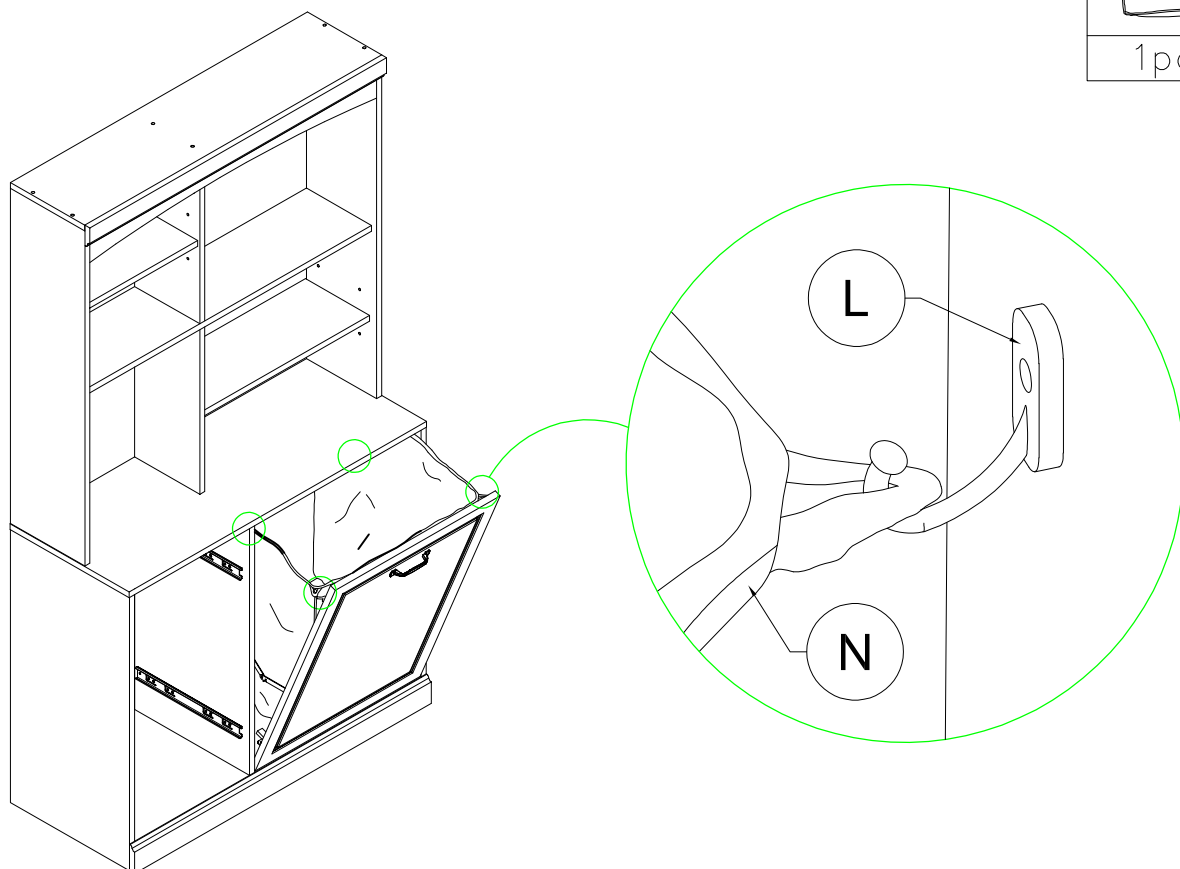


**STEP 29:** Following below illustration:

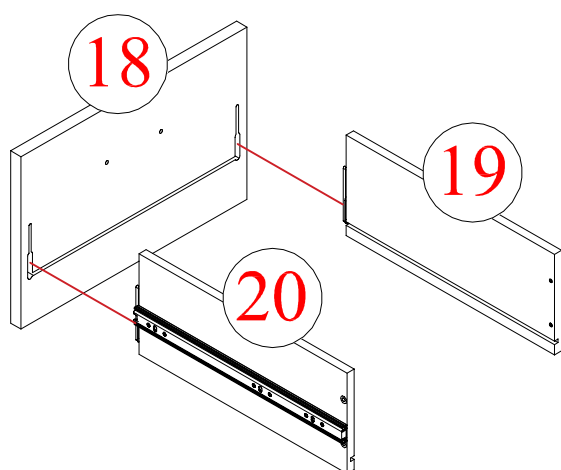
N



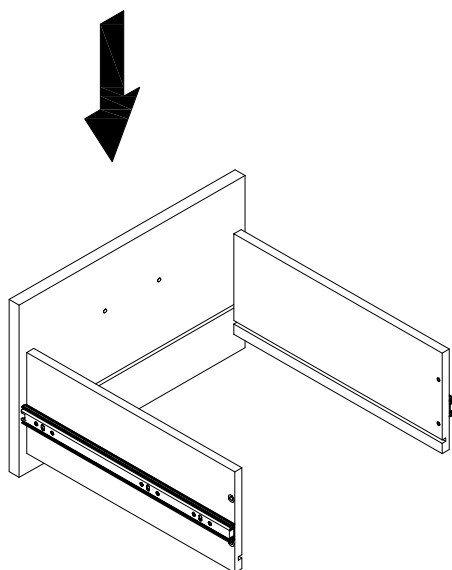
1pc



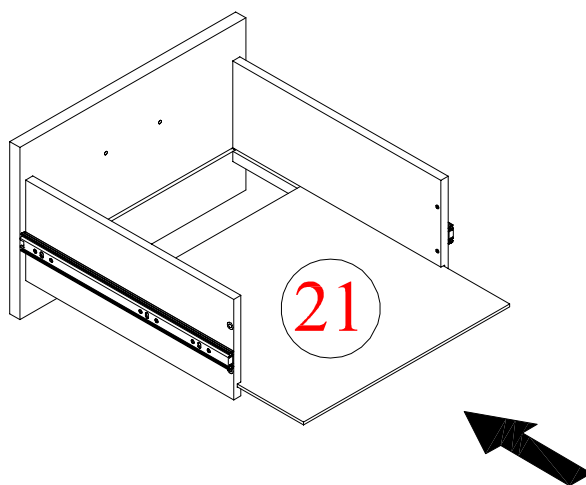
**STEP 30:** Following below illustration:



**STEP 31:** Following below illustration:

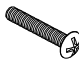
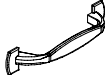



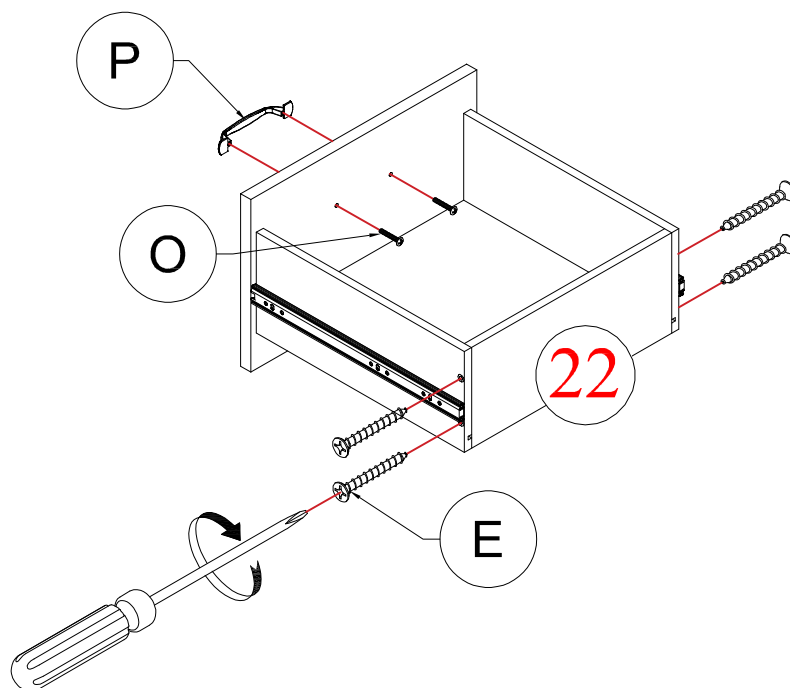
**STEP 32:** Following below illustration:



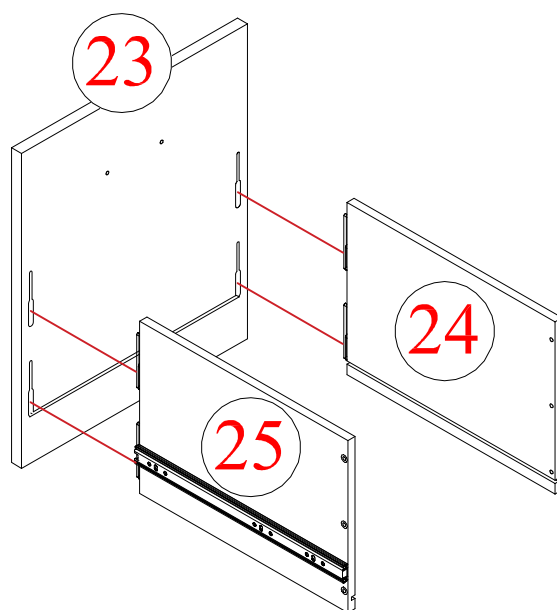
**21**

**STEP 33:** Following below illustration:

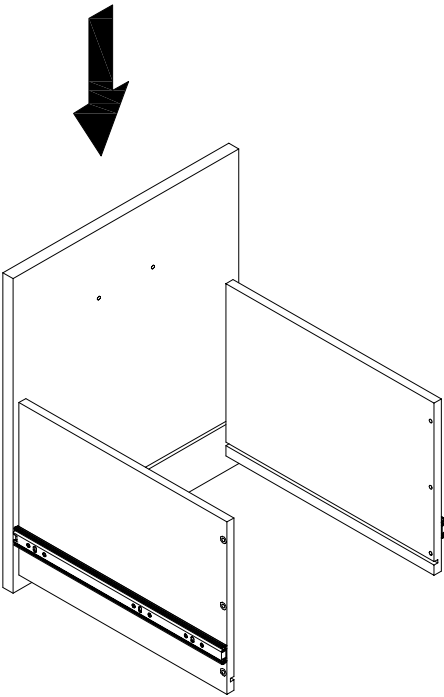
|  |  |  |
|--|--|--|
| O  | P  | E  |
|  |  |  |
| 2pcs   | 1pc  | 4pcs   |



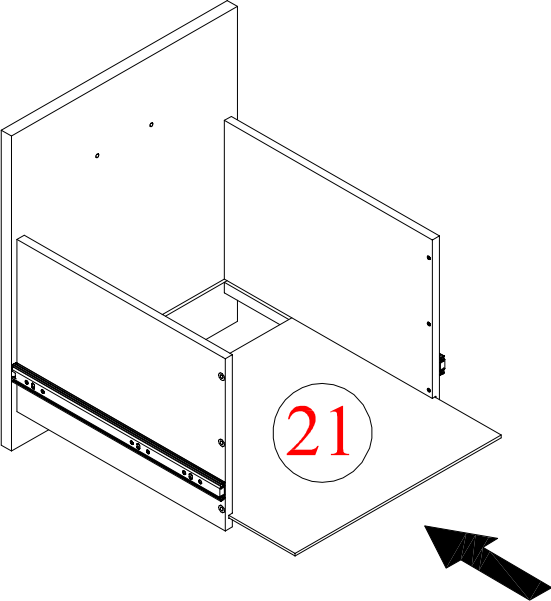
**STEP 34:** Following below illustration:



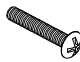
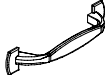

**STEP 35:** Following below illustration:

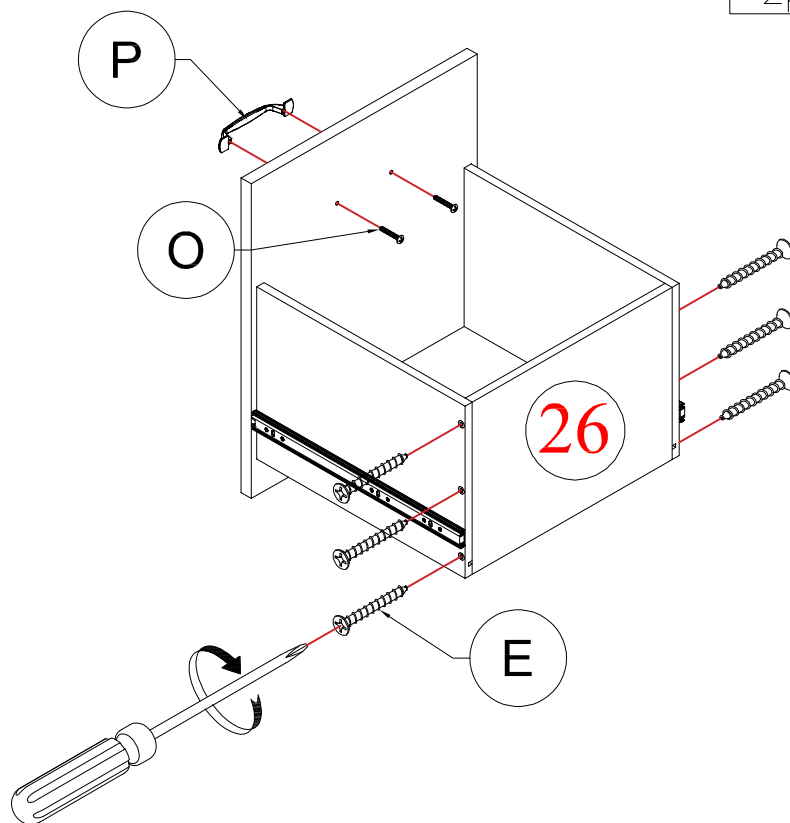


**STEP 36:** Following below illustration:

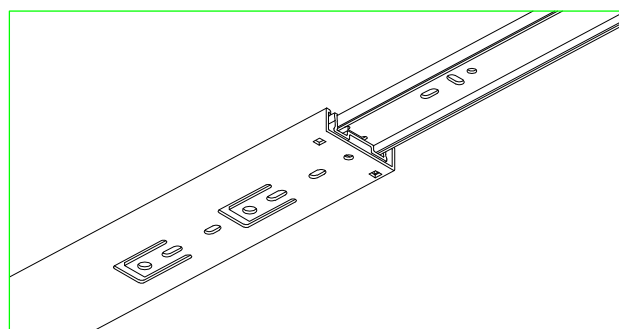
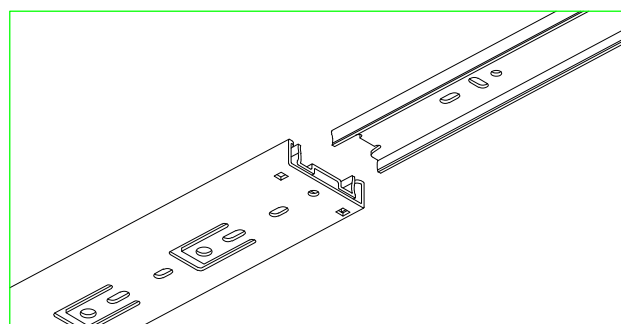
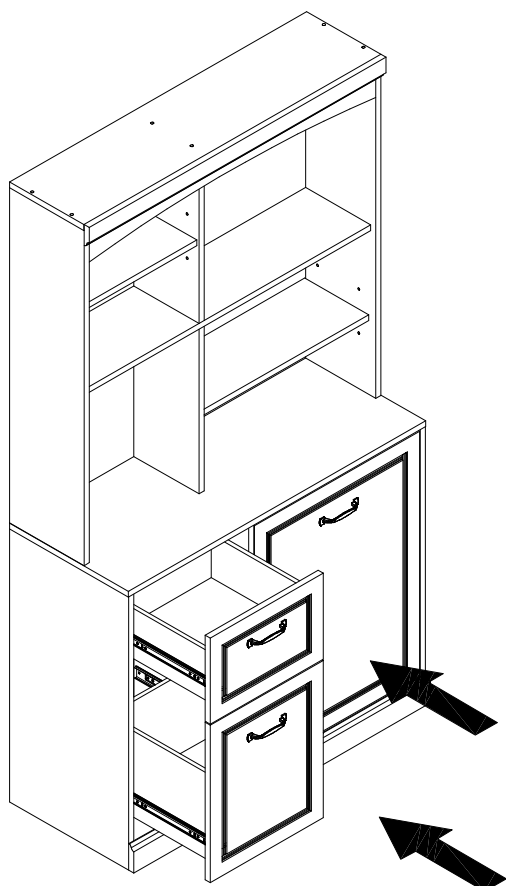


# STEP 37: Following below illustration:

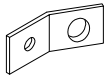


|  |  |  |
|--|--|--|
| O  | P  | E  |
|  |  |  |
| 2pcs   | 1pc  | 6pcs   |

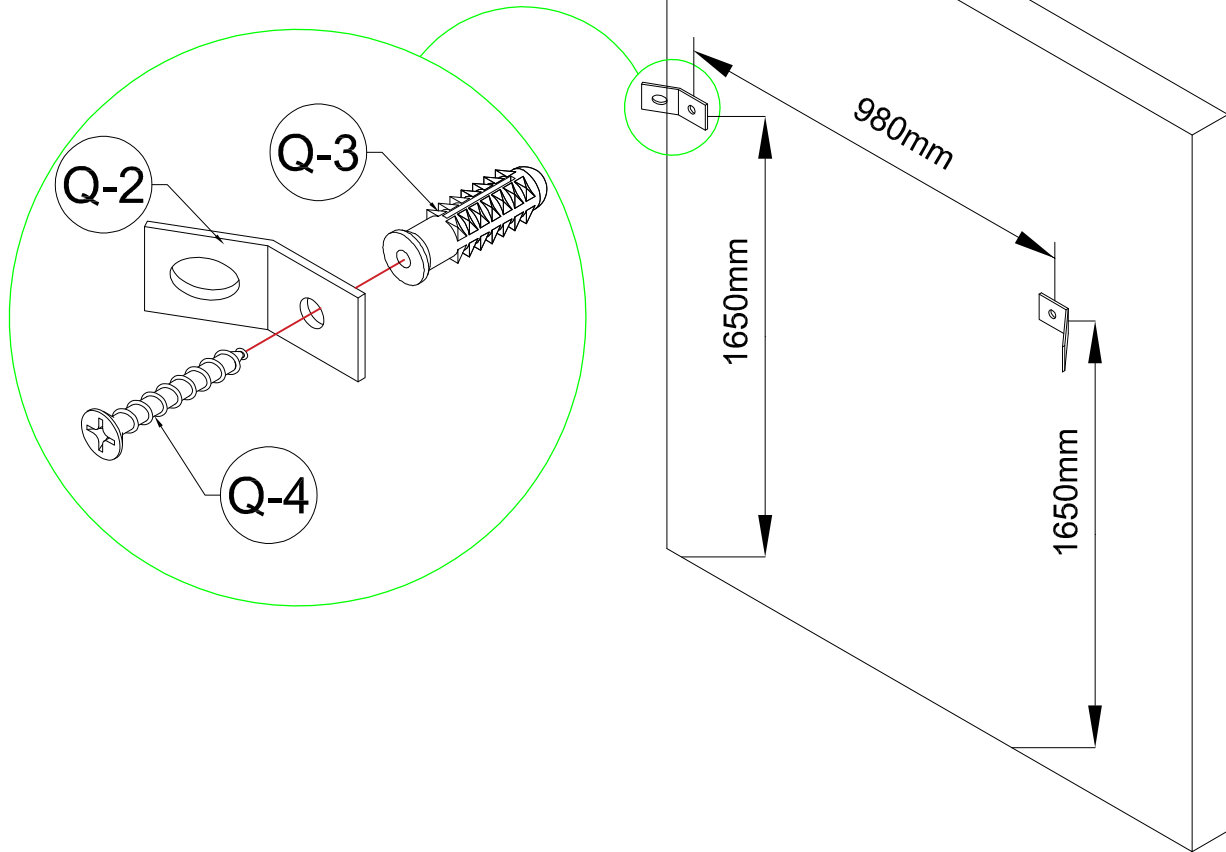


# STEP 38: Following below illustration:


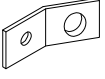


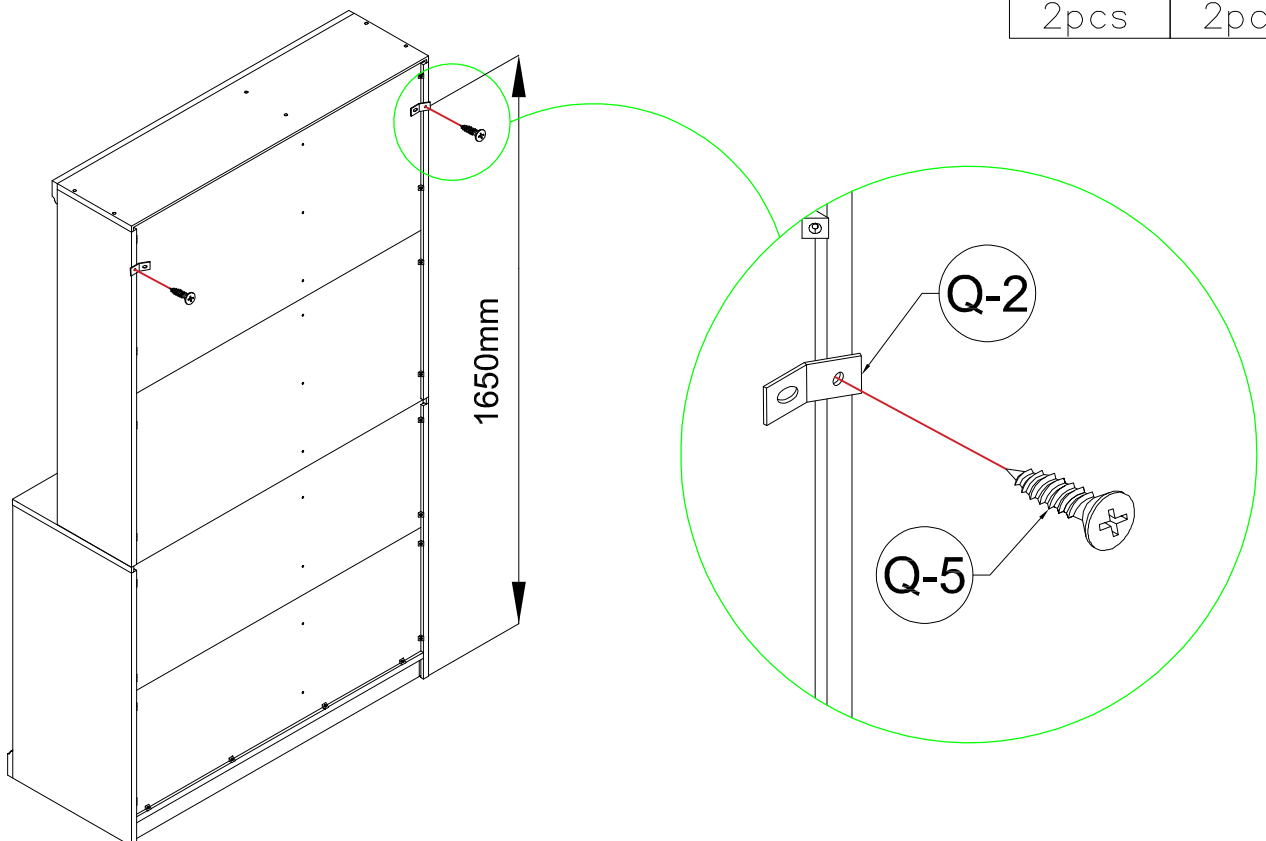
# STEP 39: Following below illustration:

|  |  |  |
|--|--|--|
| Q-2  | Q-3  | Q-4  |
|  |  |  |
| 2pcs   | 2pcs   | 2pcs   |

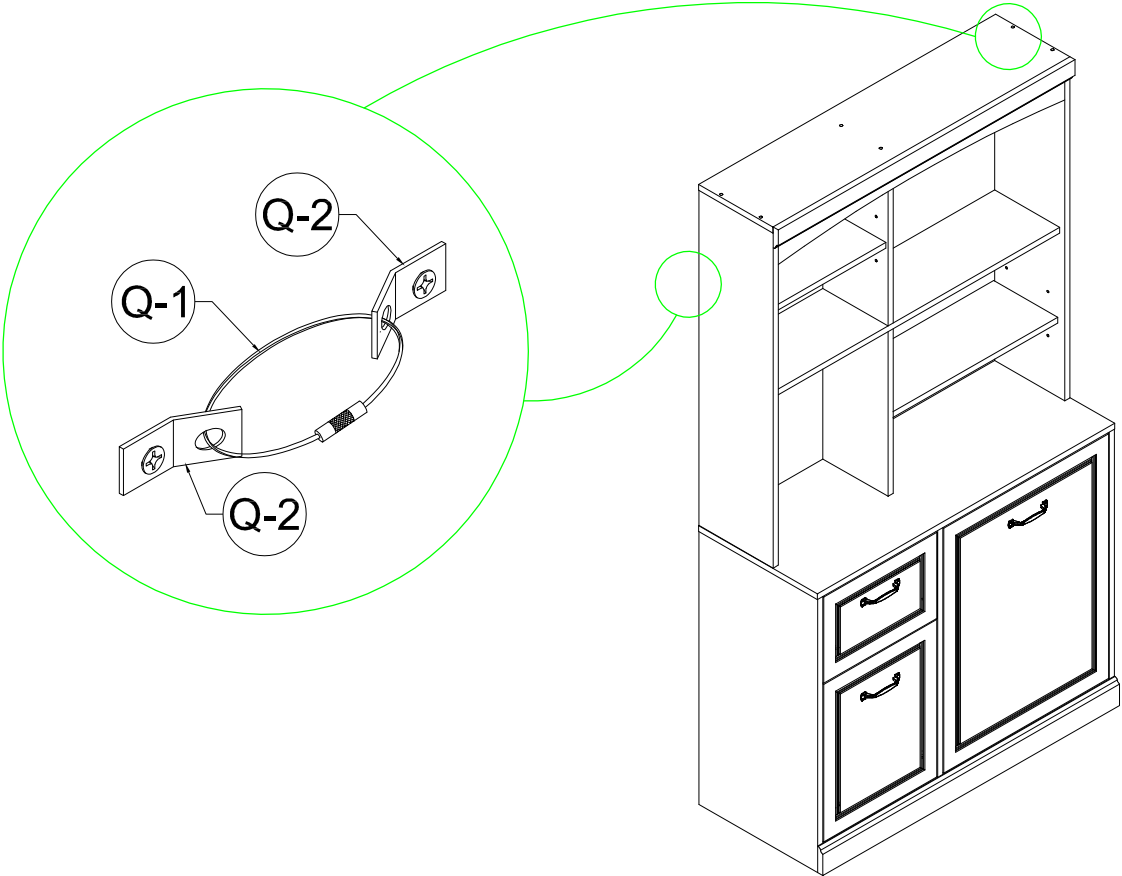


# STEP 40: Following below illustration:

|   |   |
|---|---|
| Q-5   | Q-2   |
|  |  |
| 2pcs  | 2pcs  |



**STEP 41:** Following below illustration:



**FINISH**

