

Assembly Instruction





ASSEMBLY TIME PER UNIT:

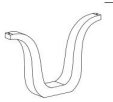


20MINUTES

PARTS IDENTIFICATION





B1:TOP MARBLE AND FRAME

- 1 TOP MARBLE  1PC
- 2 FRAME  1PC

B2:BOTTOM

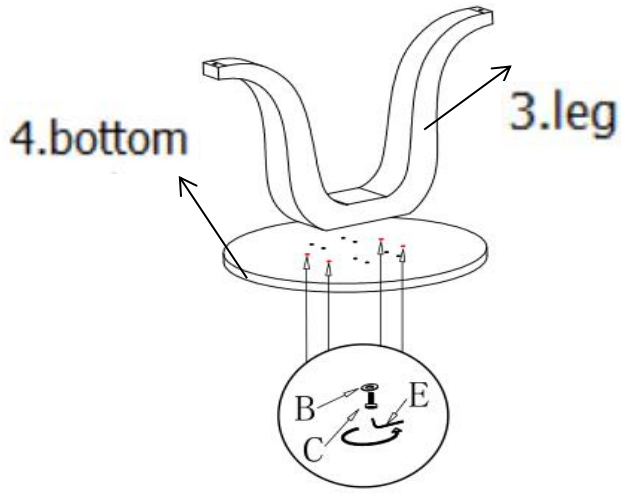
- 3 LEG  1PC
- LEG  2PCS
- 4 BOTTOM  1PC

HARDWARE LIST

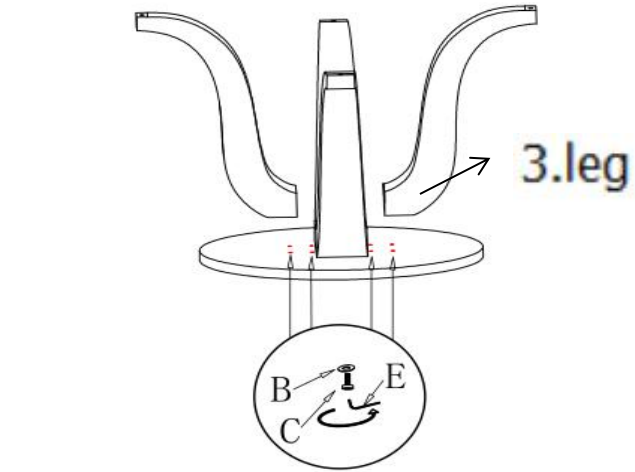
NO.	SIZE	DIAGRAM	QTY
A	Ø8X10		6
B	Ø10		16
C	M8X25		12
D	M8X40		4
E	8MM		1
F			6

ASSEMBLY INSTRUCTION

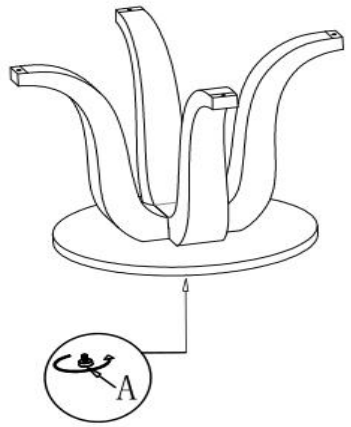
STEP : 1



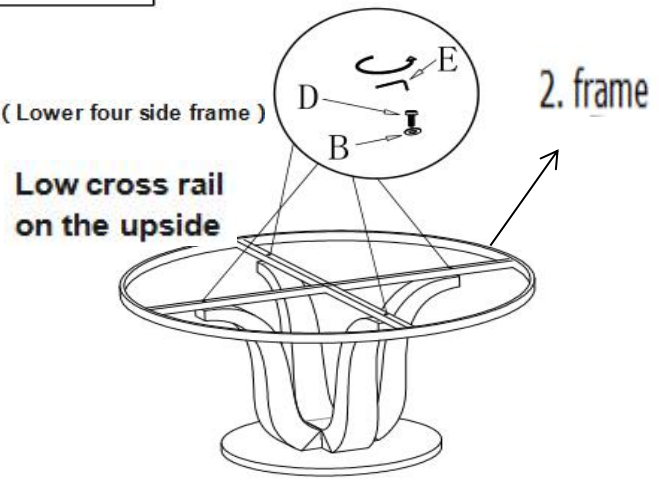
STEP : 2



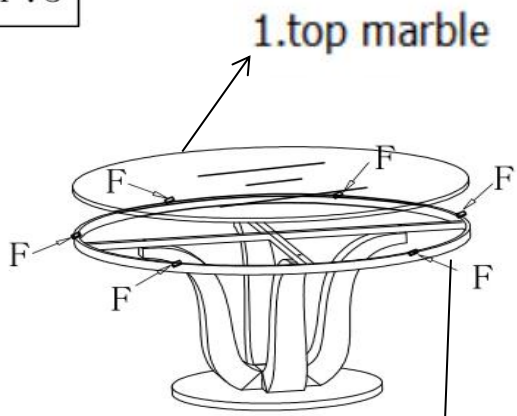
STEP : 3



STEP : 4



STEP : 5



take off the protection for "F"
then stick to frame

STEP : 6

