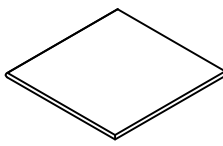
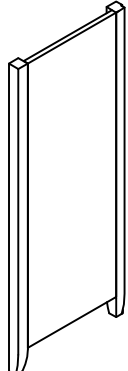
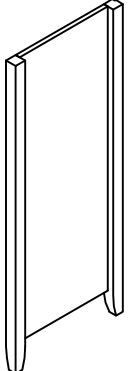
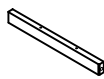


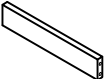

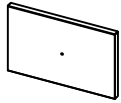
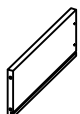
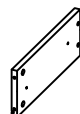

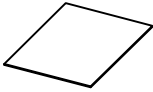


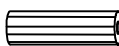





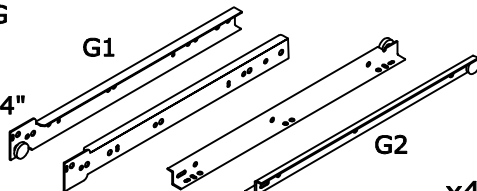








Parts for frame listing

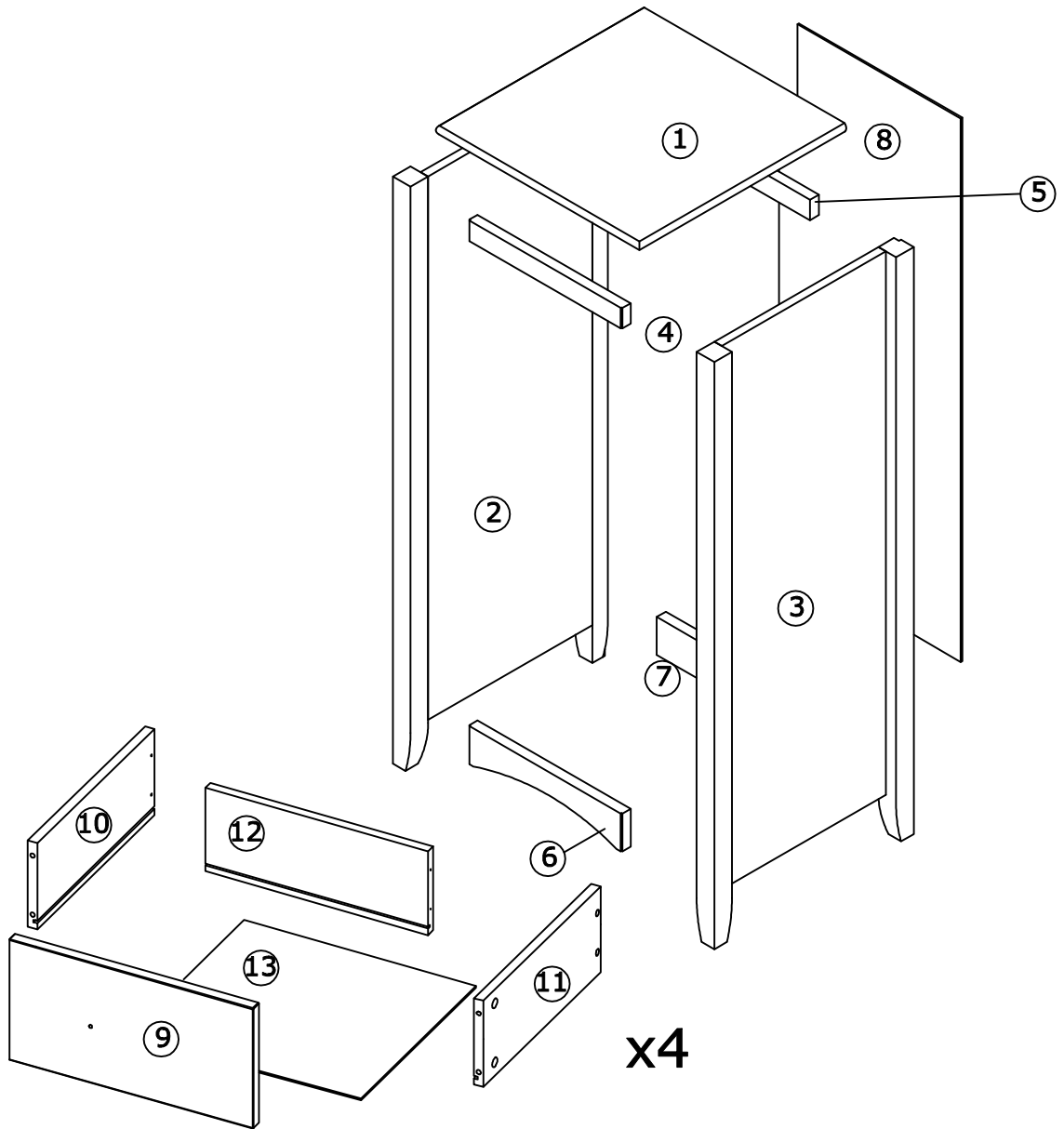
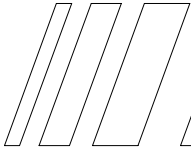
<p>①</p>  <p>x1</p>	<p>②</p>  <p>x1</p>	<p>③</p>  <p>x1</p>	<p>④</p>  <p>x1</p>
<p>⑤</p>  <p>x1</p>	<p>⑥</p>  <p>x1</p>	<p>⑦</p>  <p>x1</p>	<p>⑧</p>  <p>x1</p>

Parts for drawers listing

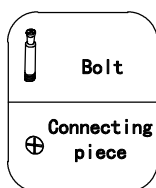
<p>⑨</p>  <p>x4</p>	<p>⑩</p>  <p>x4</p>	<p>⑪</p>  <p>x4</p>	<p>⑫</p>  <p>x4</p>	<p>⑬</p>  <p>x4</p>
--	--	--	---	--

Hardware listing

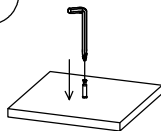
<p>A</p> <p>Ø8x30mm</p>  <p>x8</p>	<p>B</p> <p>Ø6x35mm</p>  <p>x28</p>	<p>C</p> <p>Ø15x9mm</p>  <p>x28</p>	<p>D</p> <p>Ø3x13mm</p>  <p>x16</p>	<p>E</p>  <p>x4</p>	
<p>F</p> <p>M4x22mm</p>  <p>x4</p>	<p>G</p> <p>14"</p> <p>G1</p>  <p>G2</p> <p>x4</p>		<p>k</p> <p>250x25mm</p>  <p>x1</p>	<p>N</p>  <p>x1</p>	
<p>H</p> <p>Ø3x12mm</p>  <p>x32</p>	<p>I</p> <p>Ø4x35mm</p>  <p>x4</p>	<p>J</p> <p>Ø3x25mm</p>  <p>x16</p>	<p>M</p>  <p>x1</p>	<p>l</p> <p>Ø9x1mm</p>  <p>x2</p>	<p>O</p> <p>Ø4x50mm</p>  <p>x1</p>



5X45mm bolt installation as below



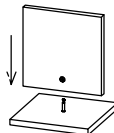
STEP



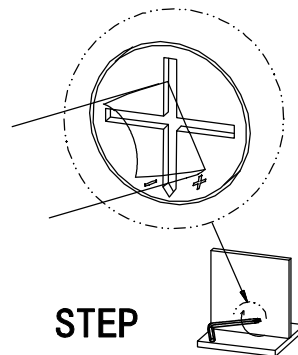
Insert bolt when
Connecting piece undet
Such condition

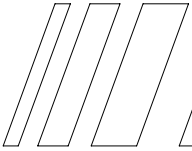
Adjust connection piece
direction if condition
as illustrated

STEP

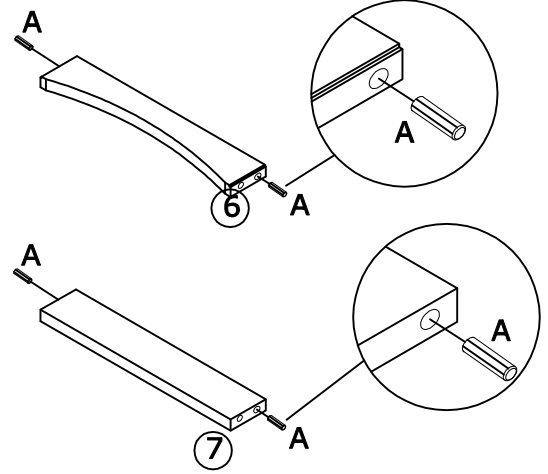
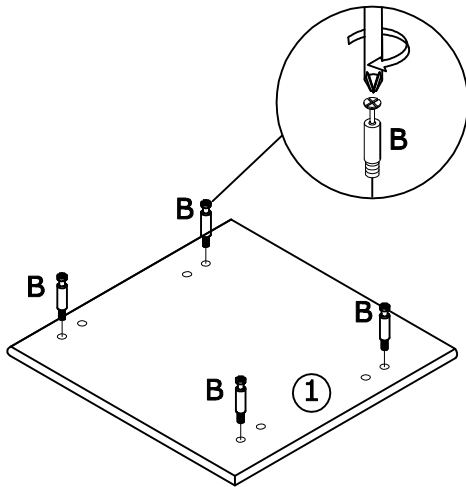


STEP

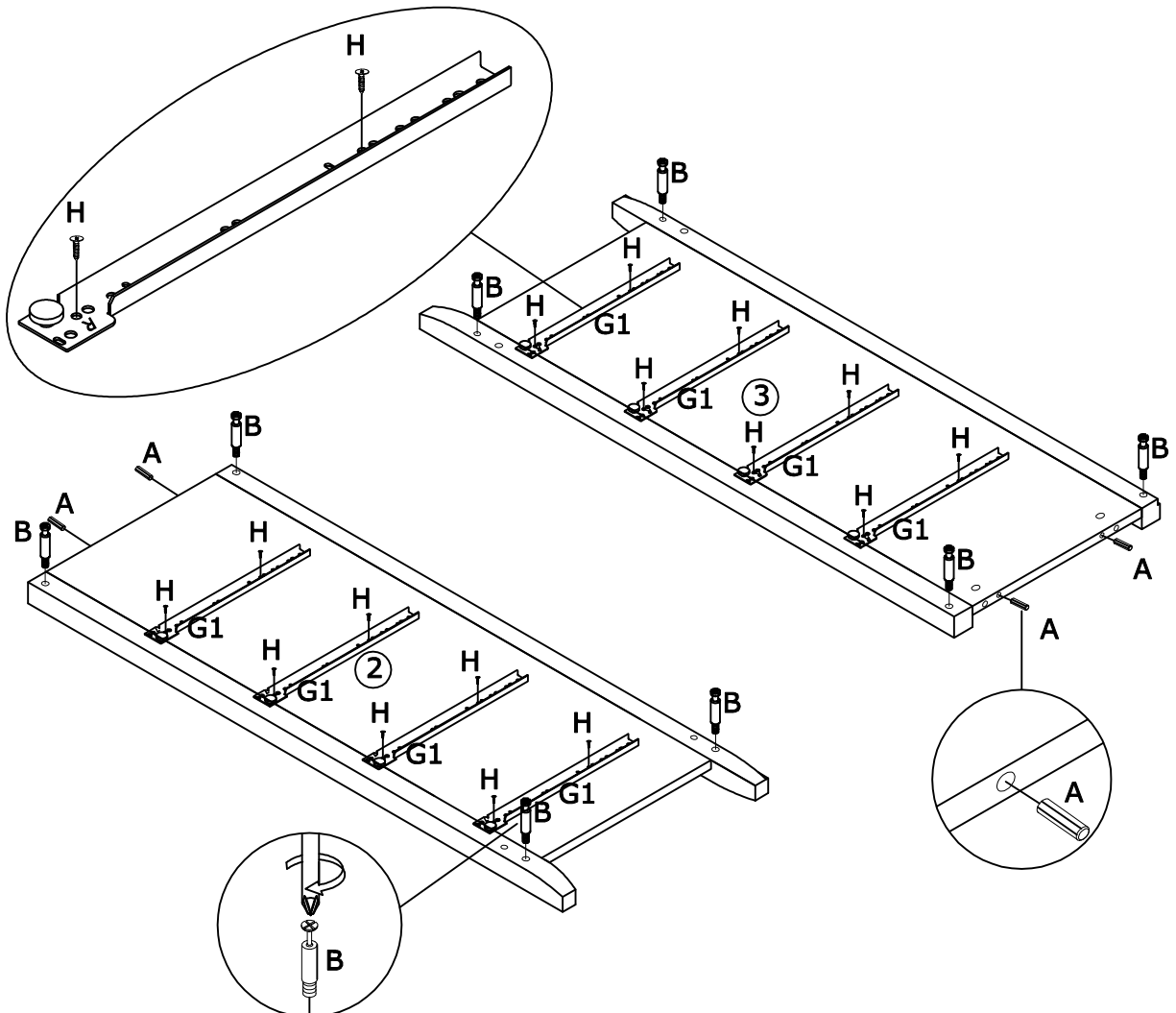


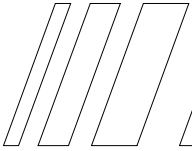


1

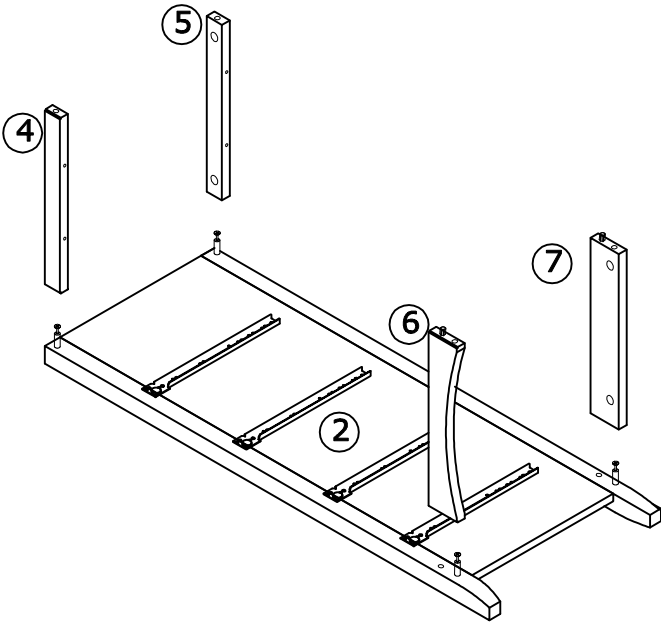


2



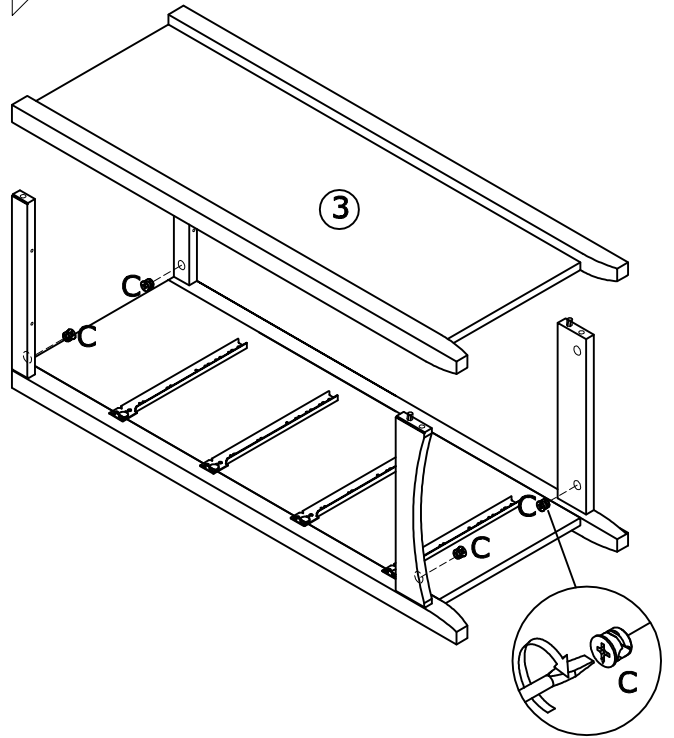


3

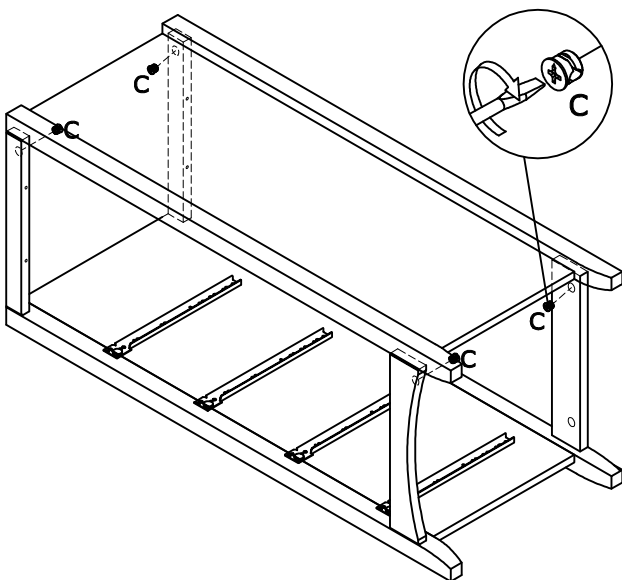


4

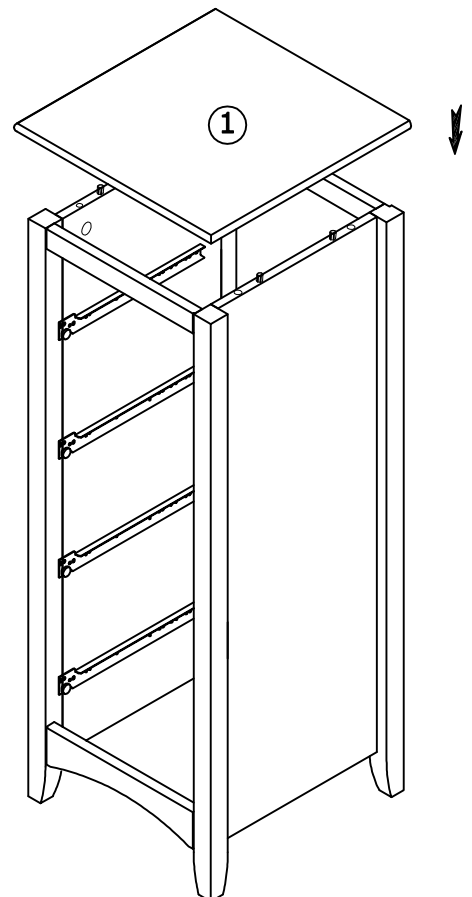
SCREWS
C $\varnothing 15 \times 9 \text{mm}$
x4



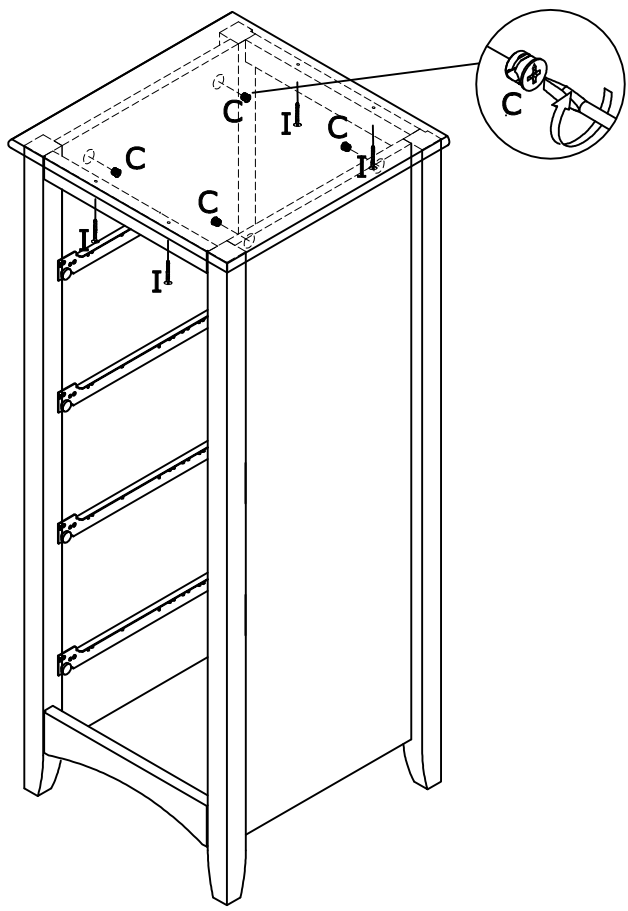
5


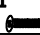


6

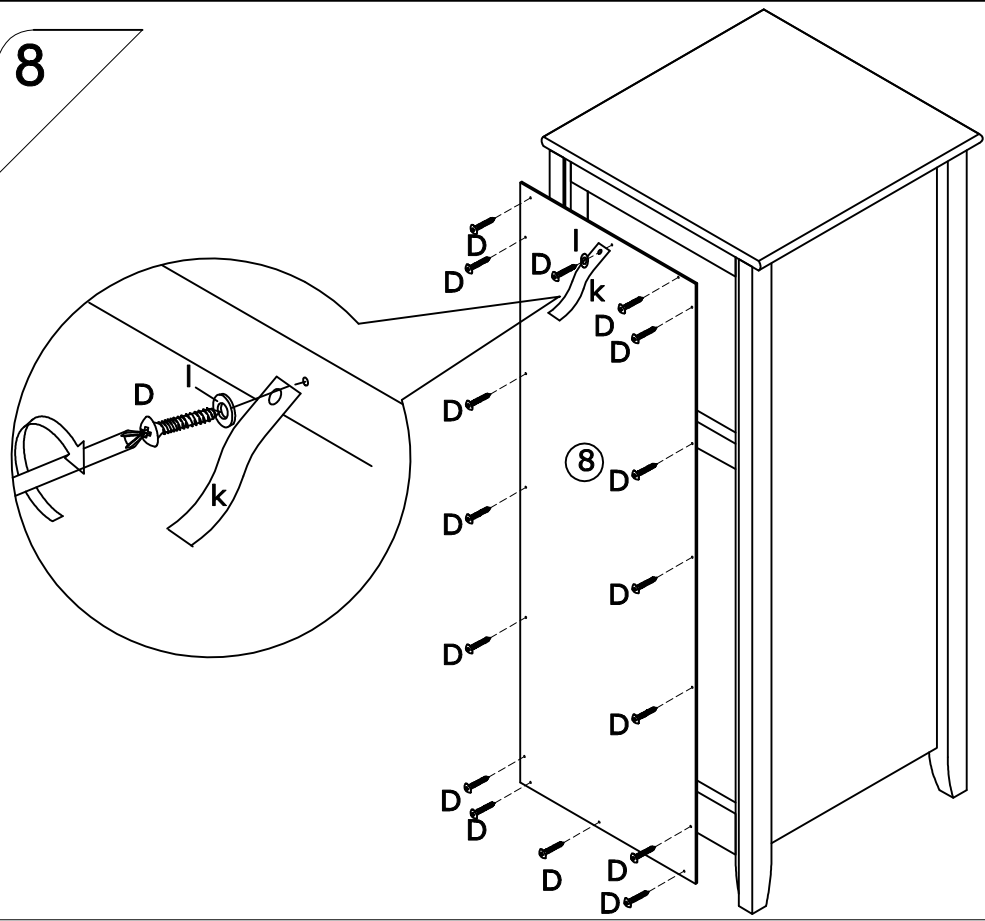





7



SCREWS	
C	Ø15x9mm
	x4
I	Ø4x35mm
	x4

8

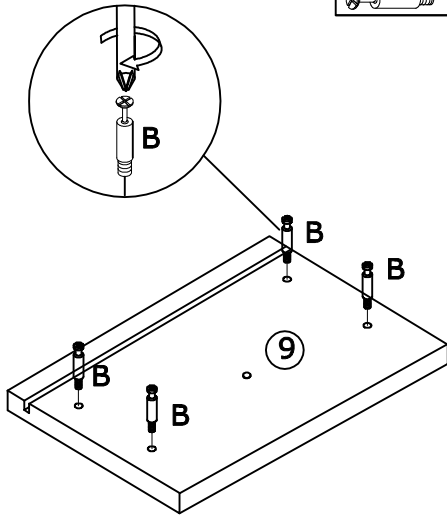


SCREWS	
D	Ø3x13mm
	x16
k	250x25mm
	x1
I	Ø9x1mm
	x1

9

SCREWS

B	Ø6x35mm	x16
---	---------	-----

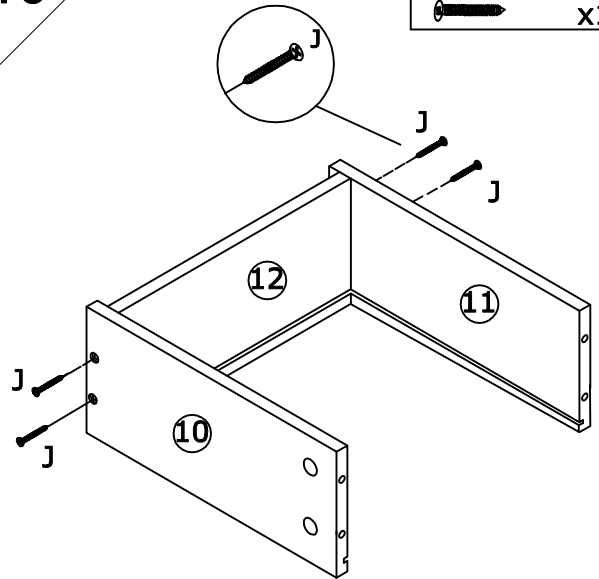


x4

10

SCREWS

J	Ø3x25mm	x16
---	---------	-----

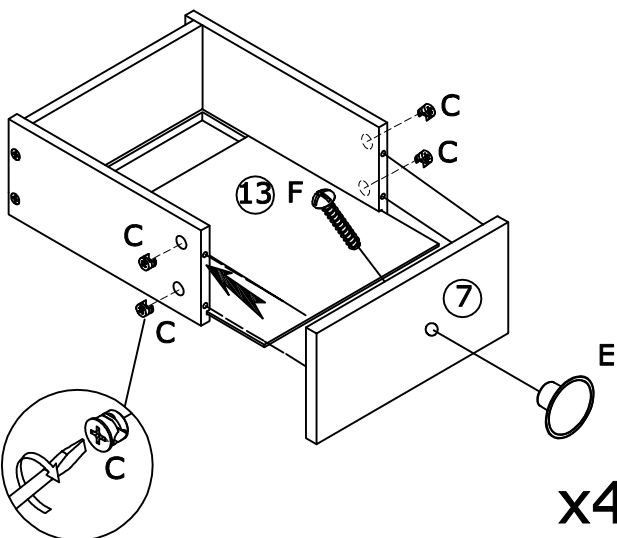


x4

11

SCREWS

E		x4
F	M4x22mm	x4
C	Ø15x9mm	x16

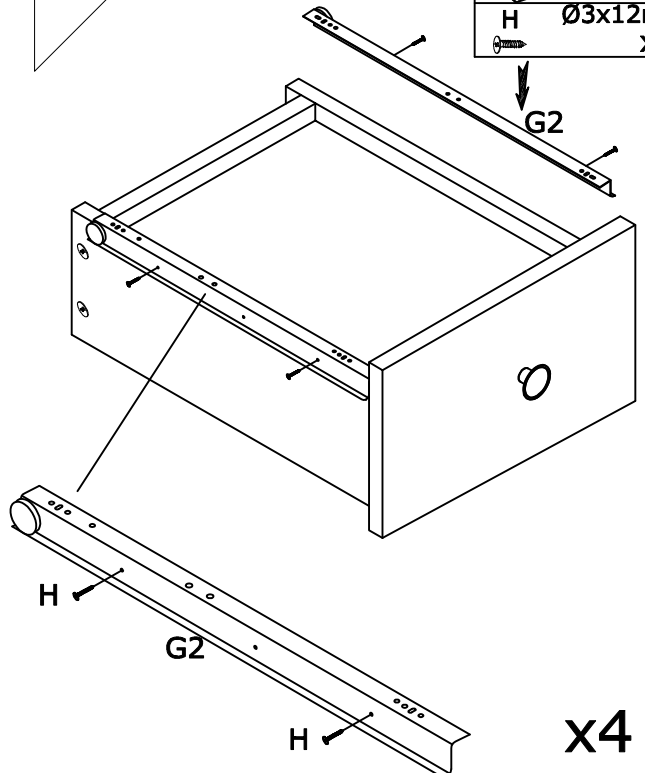


x4

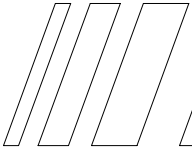
12

SCREWS

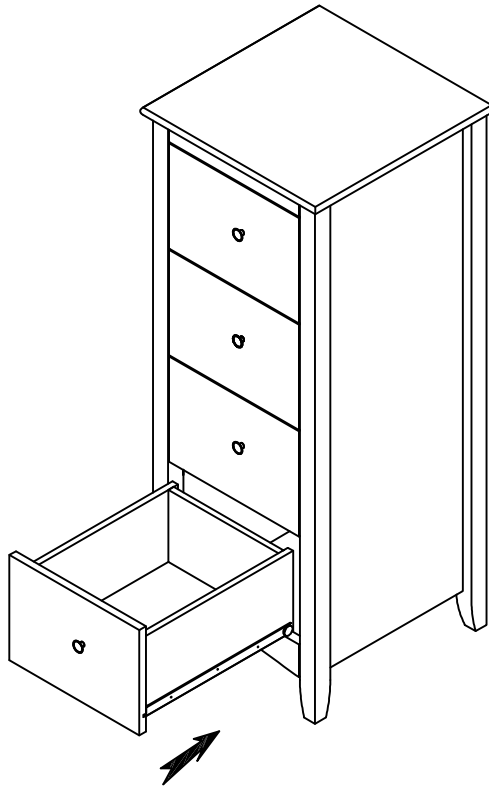
G2		x6
H	Ø3x12mm	x12



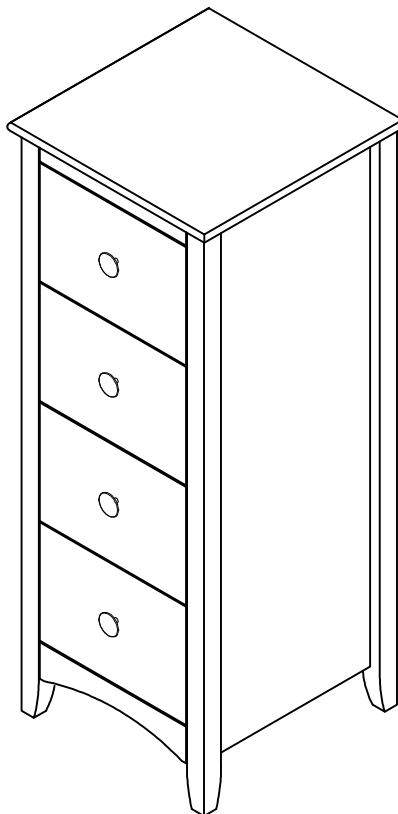
x4



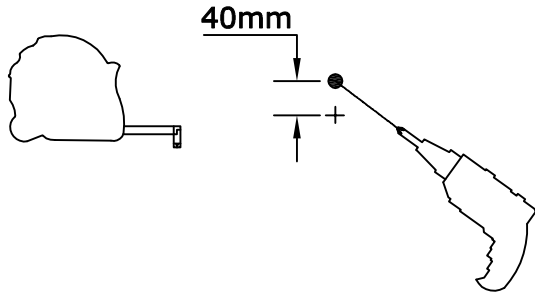
13



14

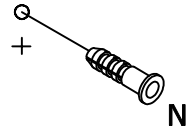


15

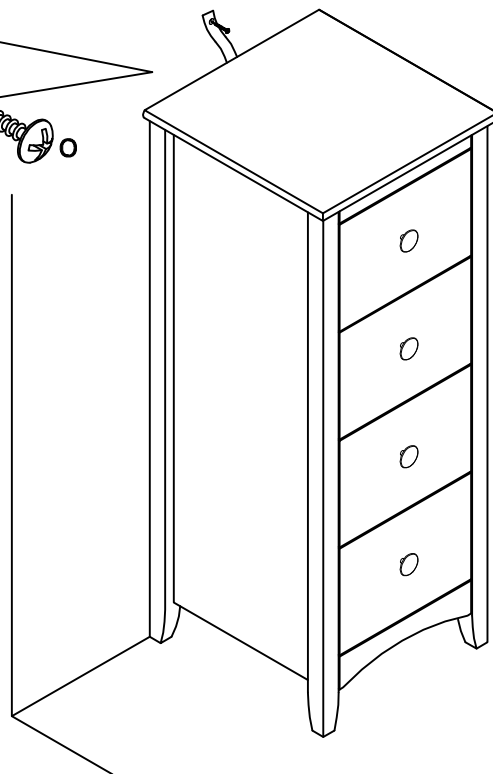
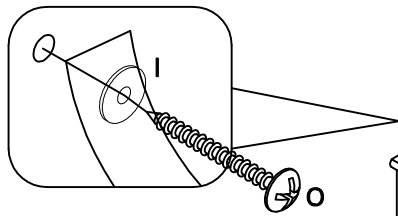


SCREWS



N  x1



16



SCREWS

I  Ø9x1mm x1
O  Ø4x50mm x1