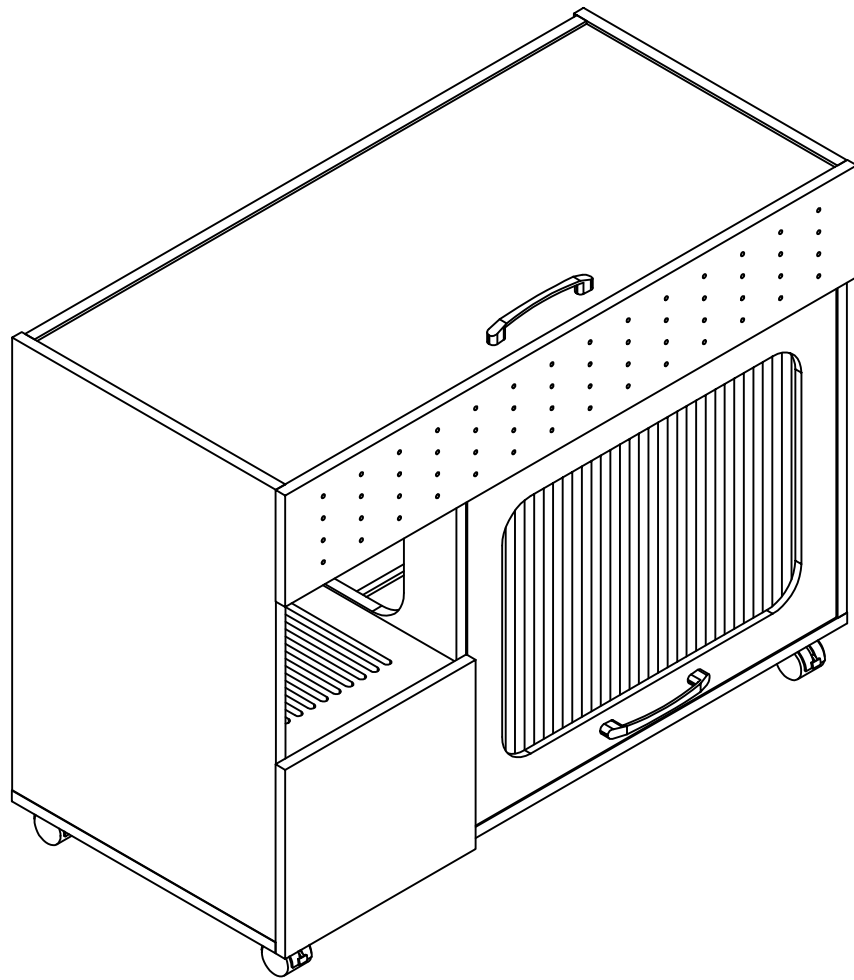


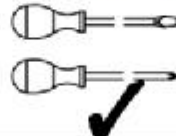



# Product manual



 2PERS	 45 MIN	<u>Tool Required Not Provided</u>	
			



Warning: Please read these instructions fully before starting assembly. Check you have all the components and tools listed on pages. Keep the instructions for later reference. Parts of the assembly will be easier with 2 people. Seek professional assistance if necessary.

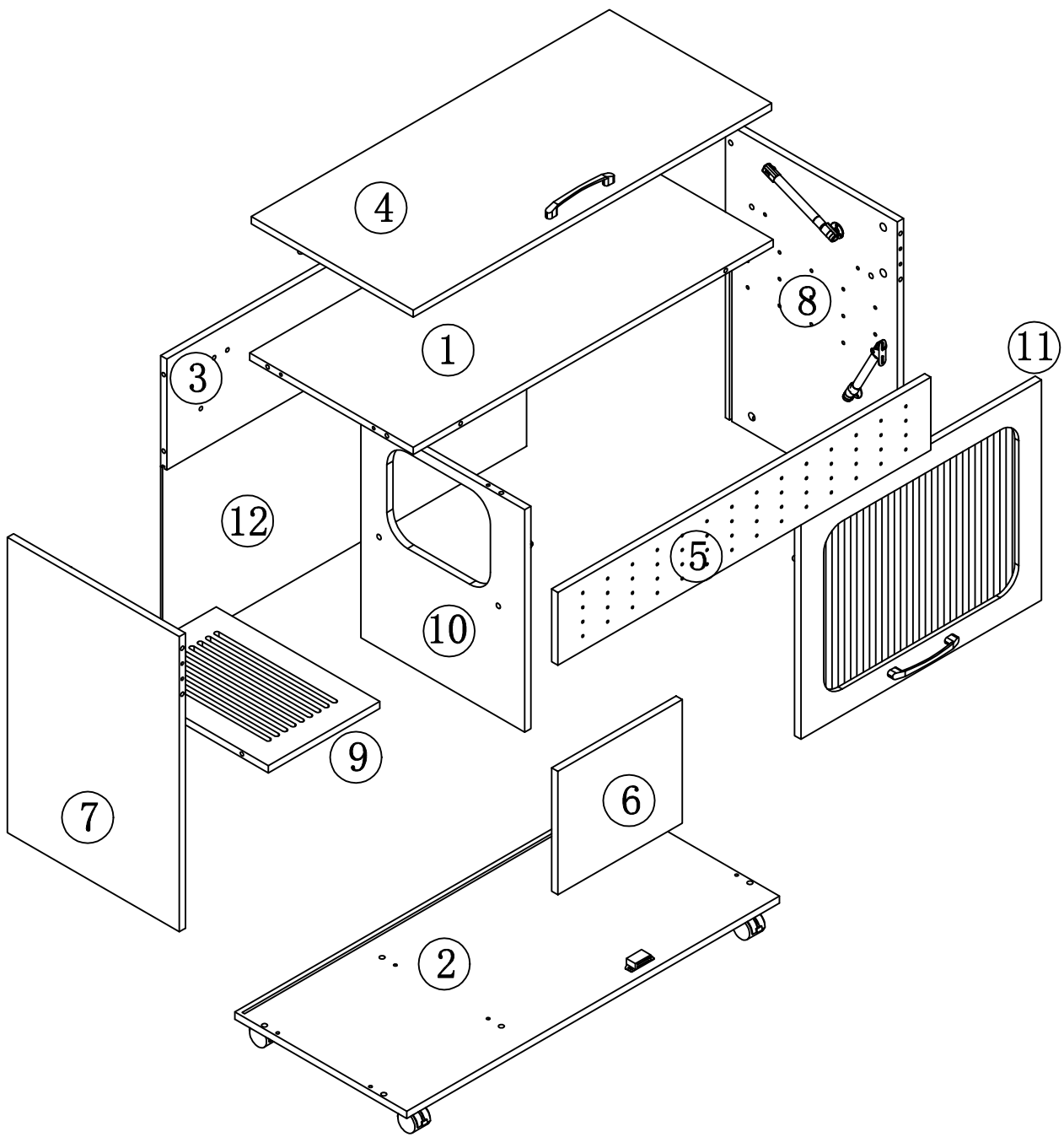
Warning: Please place all parts on a flat surface. Place a soft blanket or similar underneath to protect against scratches or stains. Avoid dragging or sliding components across the floor.

Warning: Regularly check all fittings and fastenings to ensure they are secure and to prevent accidents. If any parts are missing, broken, damaged, or worn, discontinue use of the product until repairs have been made using factory authorized parts.

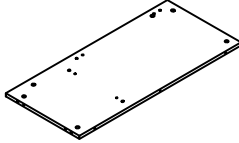
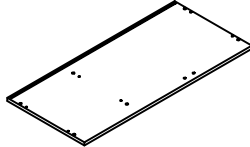
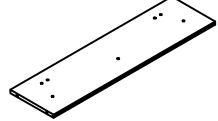
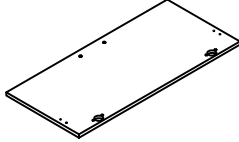
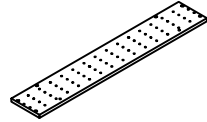
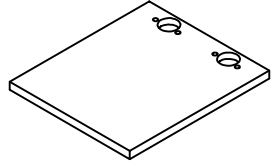
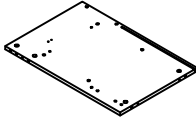
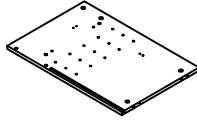
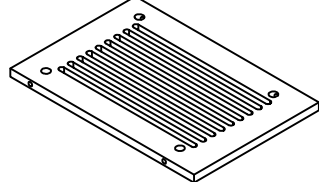
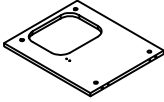
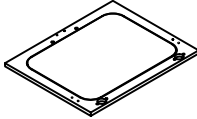
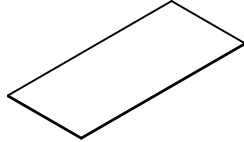
Warning: Do not allow children to climb on the furniture as this may result in tipping and serious personal injury. Assemble the furniture away from the reach of children.

Warning: Do not place furniture close to fire sources or high-temperature objects to avoid the risk of fire. Do not place furniture in damp environments to prevent material damage.

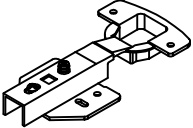
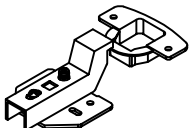




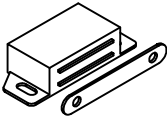

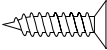

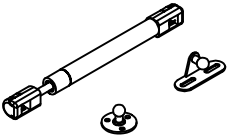
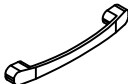




Warning: Clean furniture with a damp cloth or alcohol, avoid using cleaning agents containing corrosive chemicals.

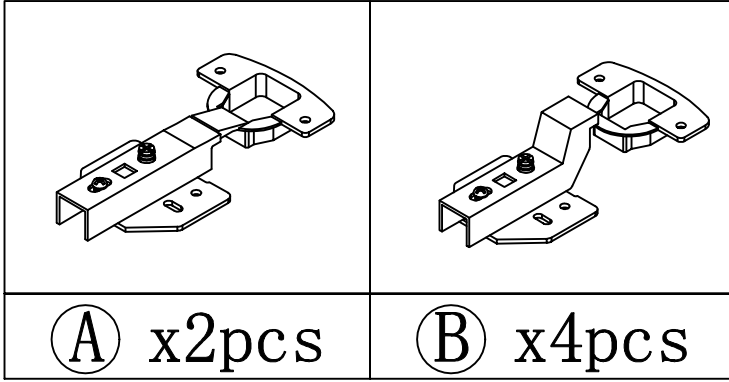


Parts List

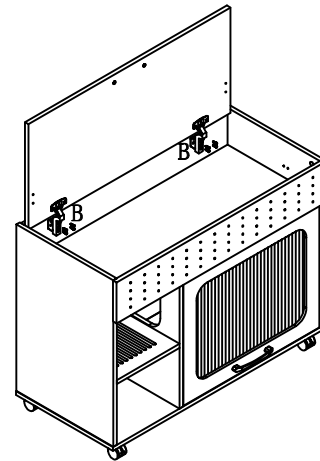
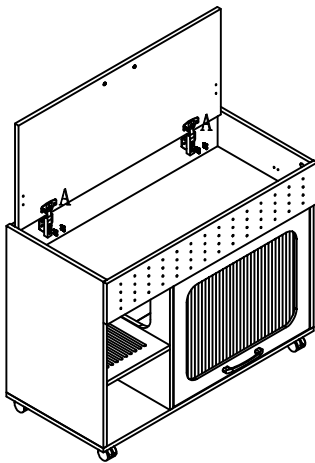
		
① x1pc	② x1pc	③ x1pc
		
④ x1pc	⑤ x1pc	⑥ x2pcs
		
⑦ x1pc	⑧ x1pc	⑨ x1pc
		
⑩ x1pc	⑪ x1pc	⑫ x1pc

# Hardware List

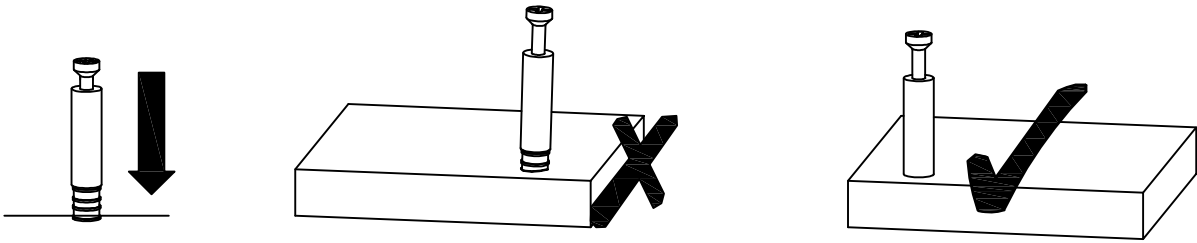
				
Ⓐ x2pcs	Ⓑ x4pcs	M6*40mm	∅15*12mm	∅6*30mm
				
M6*18			M3.5*14mm	H57mm
Ⓕ x2pcs	Ⓖ x1pc	Ⓗ x3pcs	Ⓘ x82pcs	Ⓙ x4pcs
				
Ⓚ x4pcs	Ⓛ x2pcs	M4*16mm	∅20mm	
				
Ⓟ x1pc				



NOTE-1: Please note that the shapes of fittings A and B are similar. Please install according to the instructions and distinguish them!

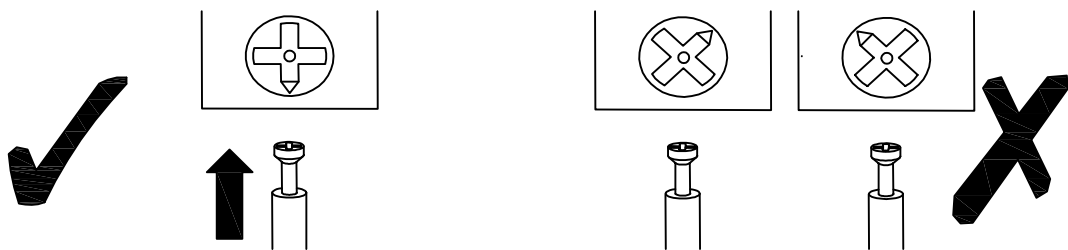


NOTE-2: Please note that this product contains multiple fittings. When attaching door panels and side panels, be sure to: Use Type A. Using the wrong fitting may result in damage to the plate parts



**NOTE-3:**

**QUICKFIT:** Tighten quickfit until shoulder is flush with panel. Do not overtighten or undertighten

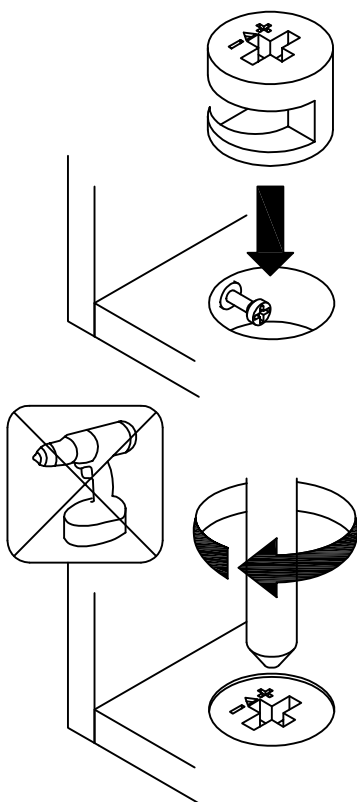


**NOTE-4:**




**CAM LOCK:** When fitting cam lock, ensure starting position is correct before you insert connecting quickfit.

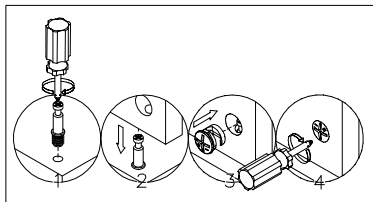
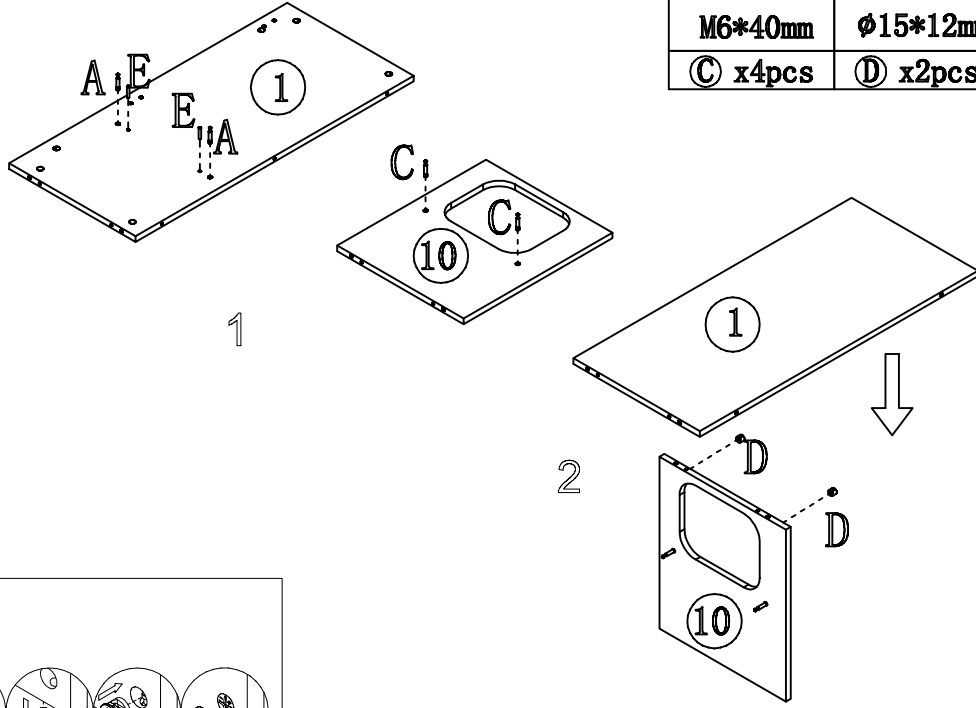
**NOTE-5:**

Quickfit head should be in the centre of the cam lock when the two panels are joined. Camlock should be inserted before quickfit.




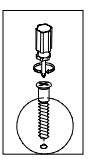
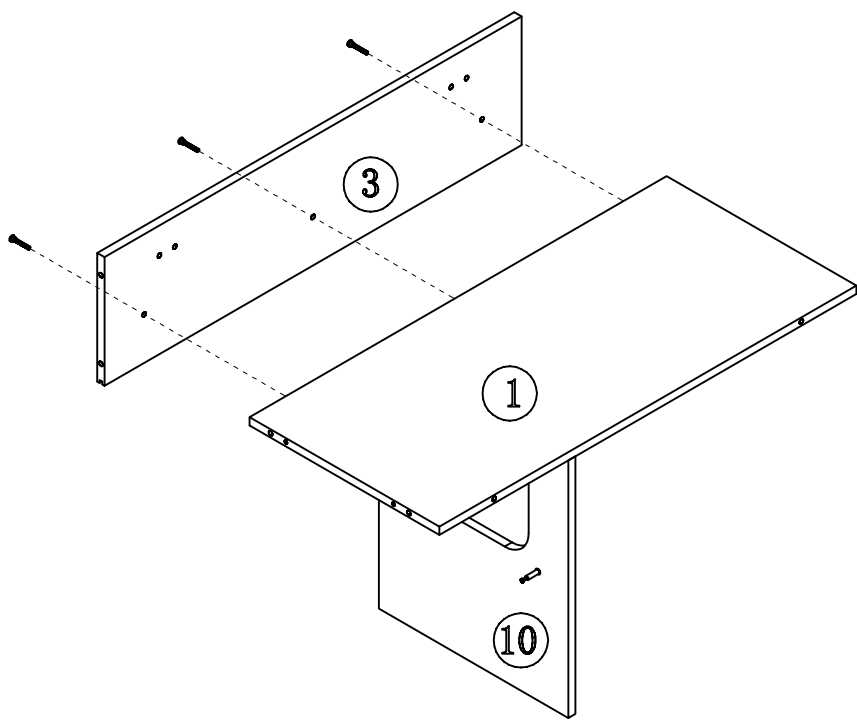
# Step 1

		
M6*40mm	Ø15*12mm	Ø6*30mm
Ⓒ x4pcs	Ⓓ x2pcs	Ⓔ x2pcs






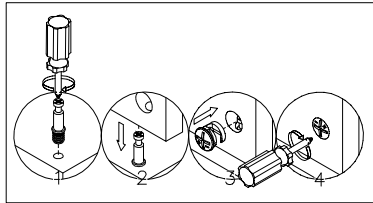
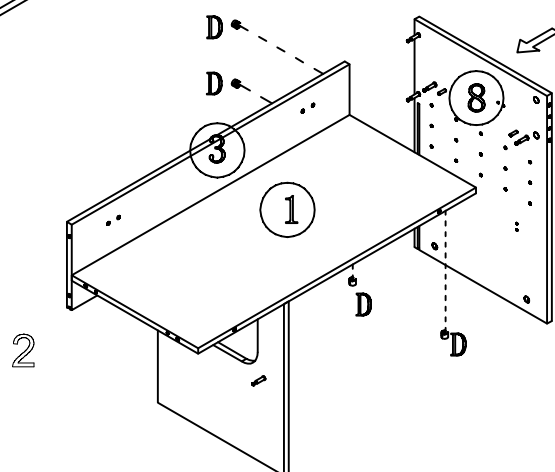
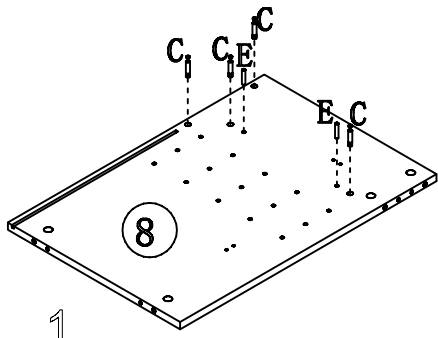
# Step 2


Ⓕ x3pcs




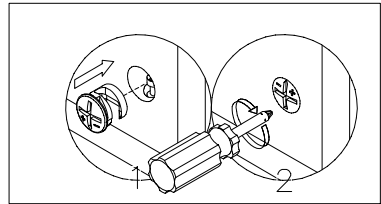
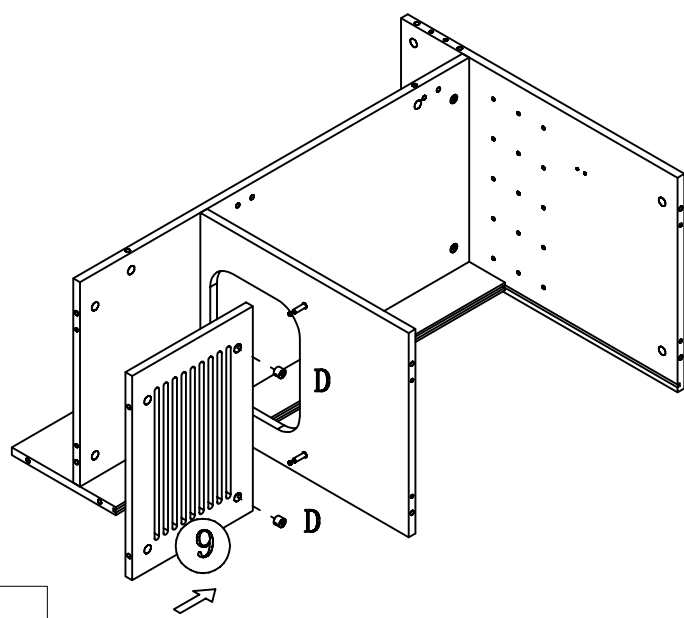
### Step 3

		
M6*40mm	φ15*12mm	φ6*30mm
ⓐ x4pcs	ⓓ x4pcs	ⓔ x2pcs






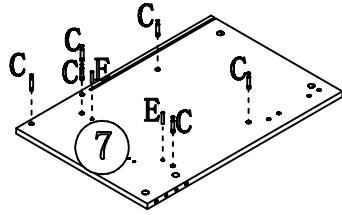
### Step 4


φ15*12mm
ⓓ x2pcs

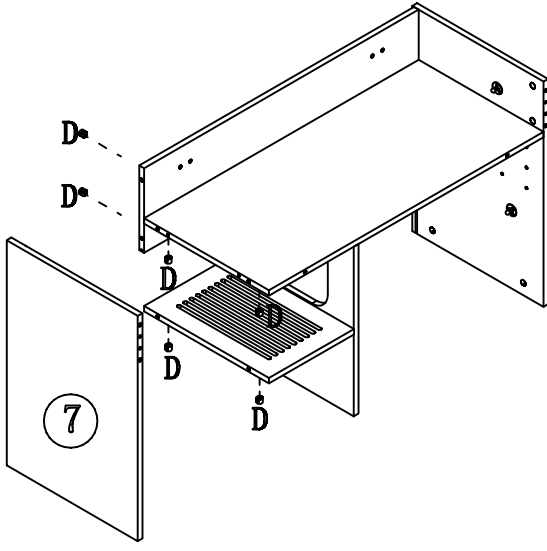


# Step 5

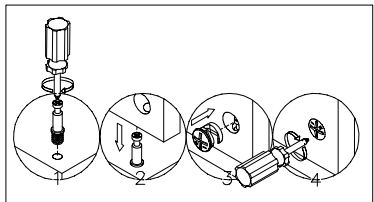
		
M6*40mm	Ø15*12mm	Ø6*30mm
Ⓒ x6pcs	Ⓓ x6pcs	Ⓔ x2pcs







1

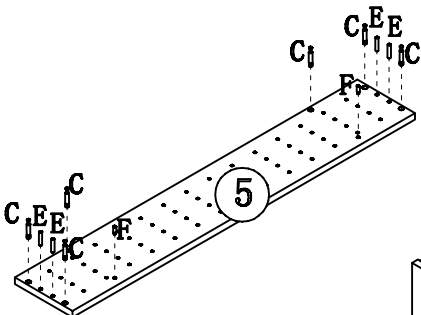


2

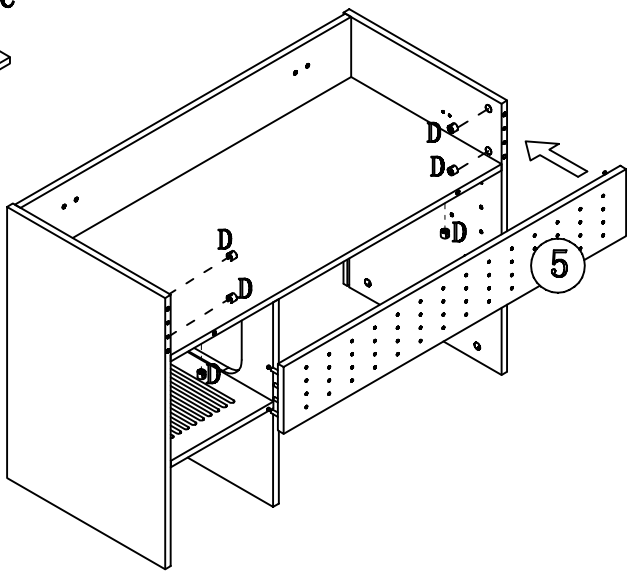


# Step 6

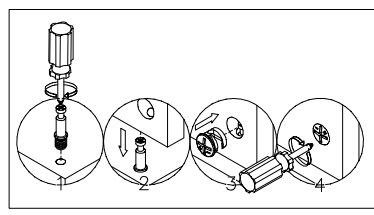
			
M6*40mm	Ø15*12mm	Ø6*30mm	M6*18
Ⓒ x6pcs	Ⓓ x6pcs	Ⓔ x4pcs	Ⓕ x2pcs



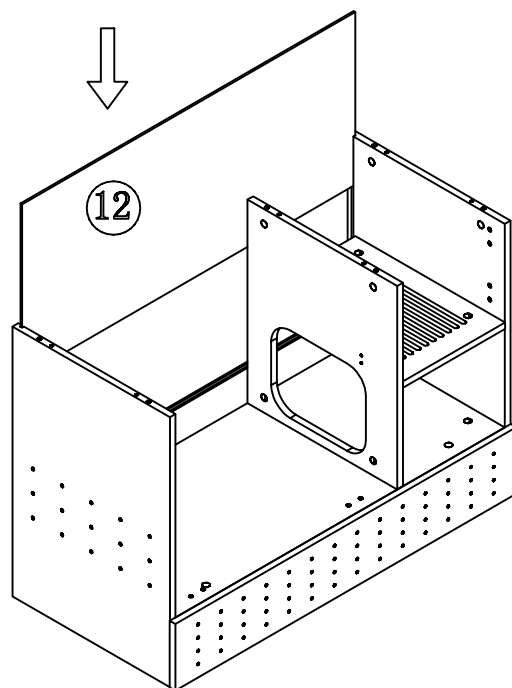
1



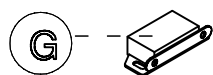
2



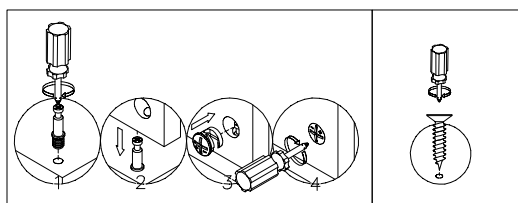
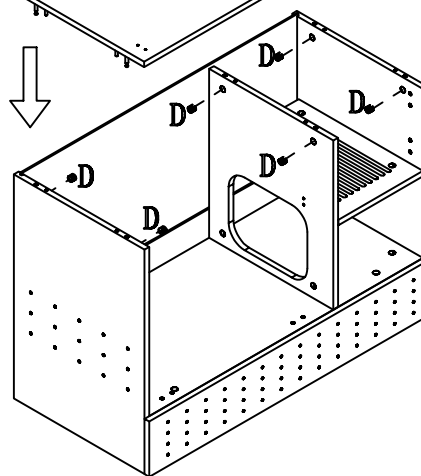
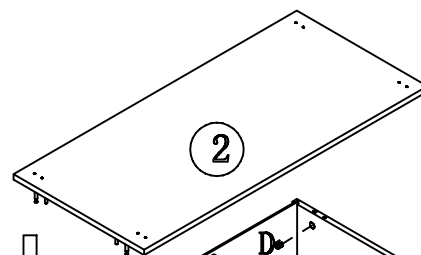
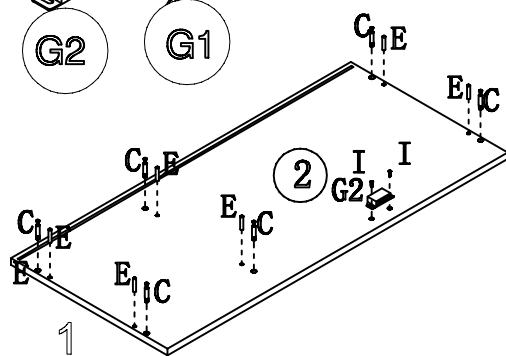
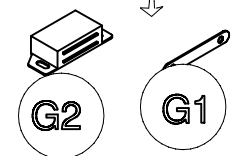
# Step 7



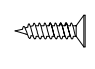

# Step 8

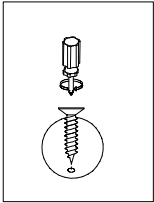
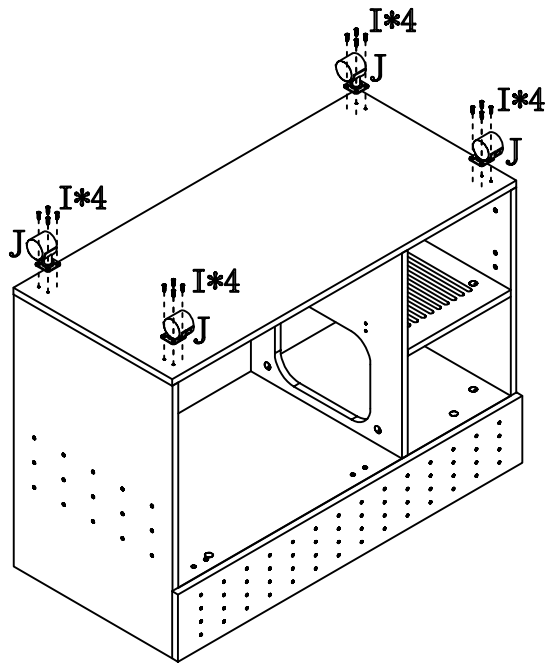


<b>G</b> x1pc	<b>I</b> x2pcs	<b>C</b> x6pcs	<b>D</b> x6pcs	<b>E</b> x6pcs

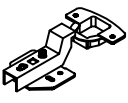
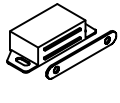
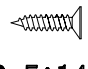





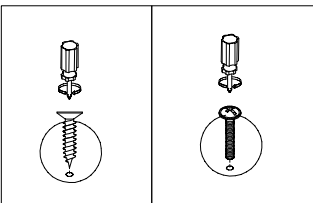
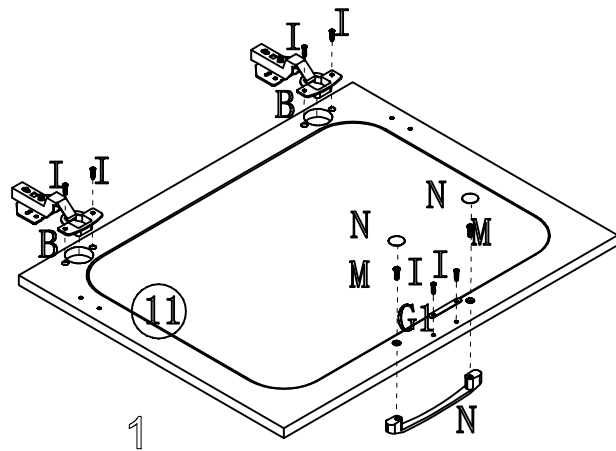
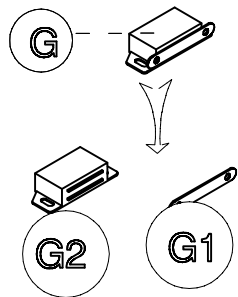
# Step 9

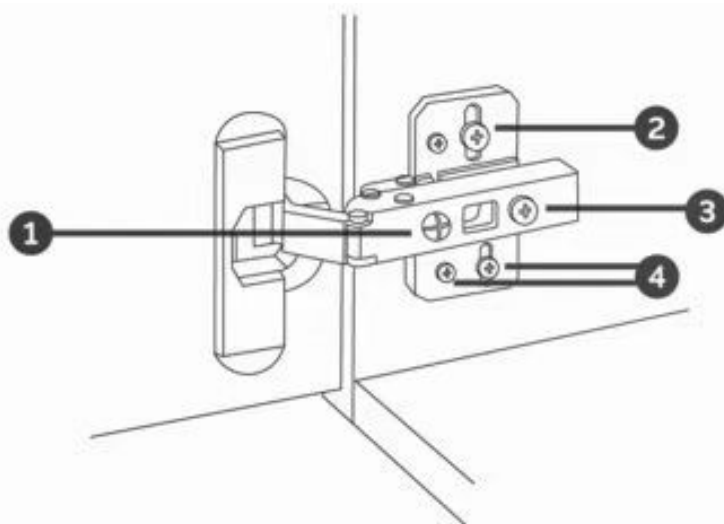
	
M3. 5*14mm	H57mm
Ⓢ x16pcs	Ⓣ x4pcs



# Step 10

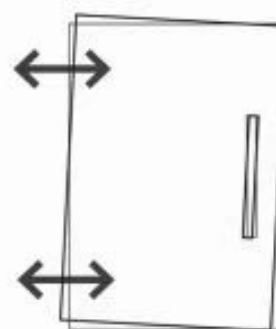
					
M3. 5*14mm	128	M4*16mm	Ø20mm		
Ⓟ x2pcs	Ⓠ x1pc	Ⓢ x6pcs	Ⓛ x1pc	Ⓜ x2pcs	Ⓝ x2pcs





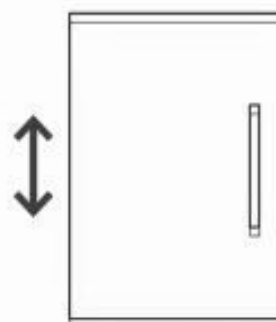
### 1 Sideways / Tilt adjustment

Turn the screw  
**clockwise** to move the door further away from  
 the side of the cabinet  
**anticlockwise** to move the door closer to the  
 side of the cabinet



### 2 4 Height adjustment

While supporting the weight of the door, turn the  
 screws  
**clockwise** to move the door up  
**anticlockwise** to move the door down

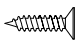


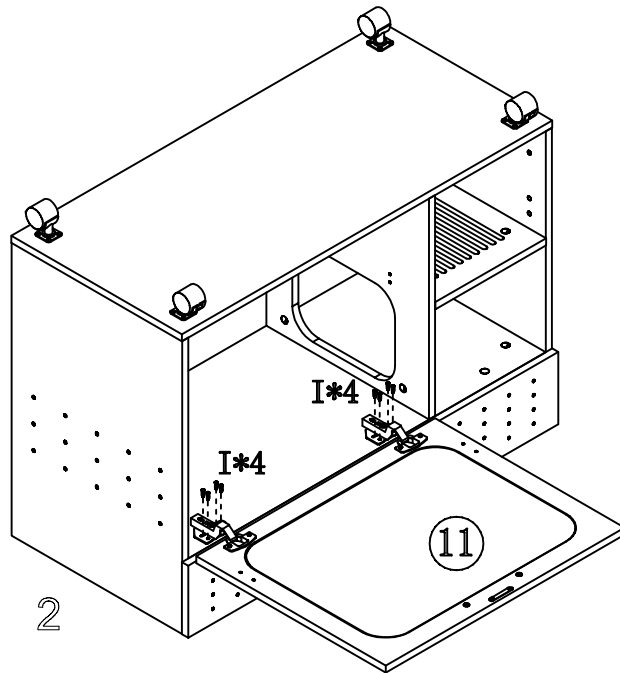
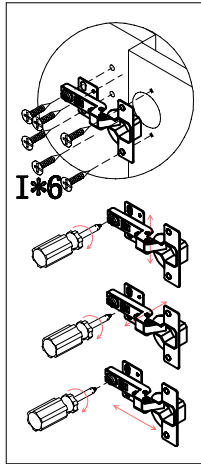
### 3 Forward and back adjustment

If the gap between the back of the door and the  
 cabinet is too small, and the door may not close  
 fully. Turn the screw  
**clockwise** to decrease the gap between the  
 door and the cabinet  
**anticlockwise** to increase the gap between the  
 door and the cabinet

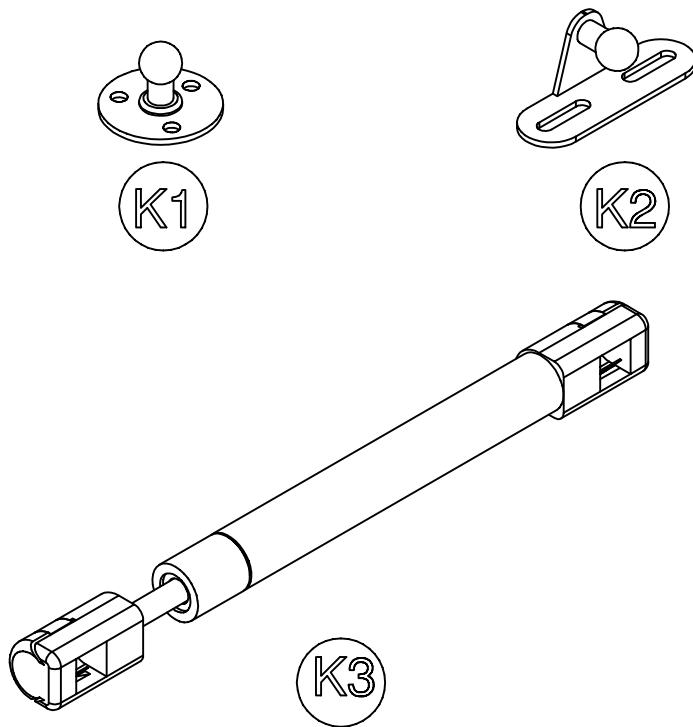
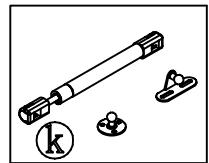


# Step 11

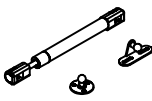
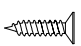
  
**M3.5\*14mm**  
**① x8pcs**

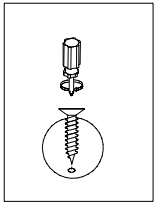
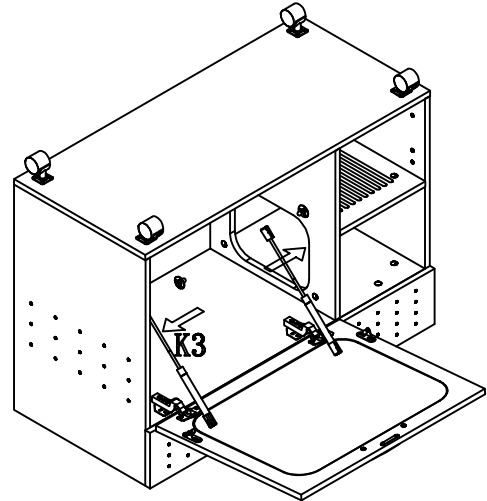
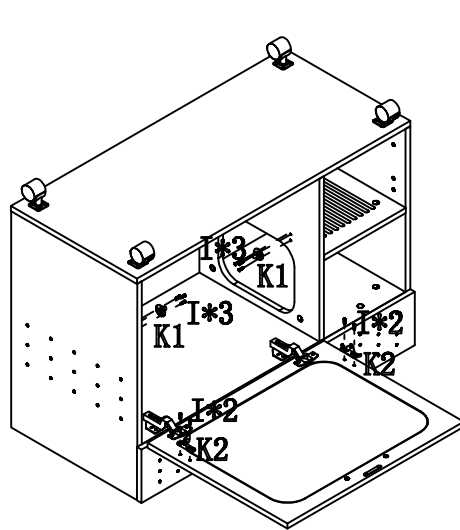


# Step 12

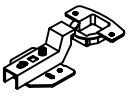






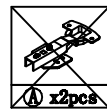
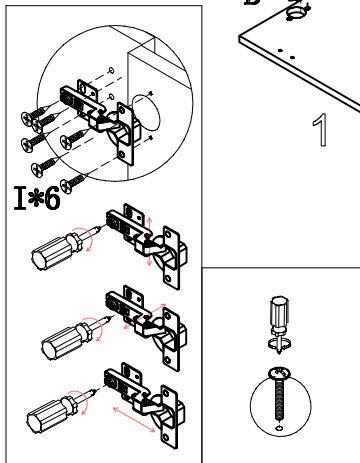
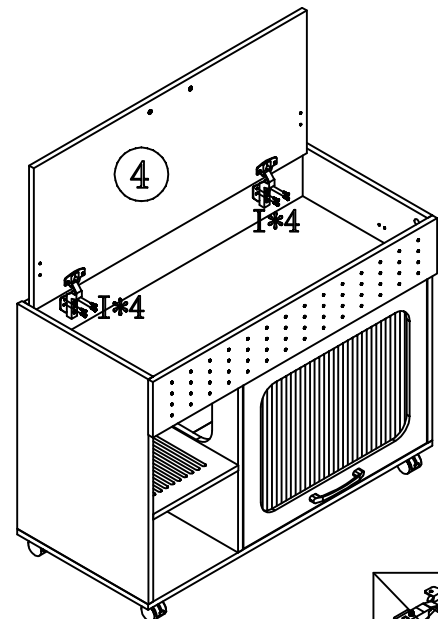
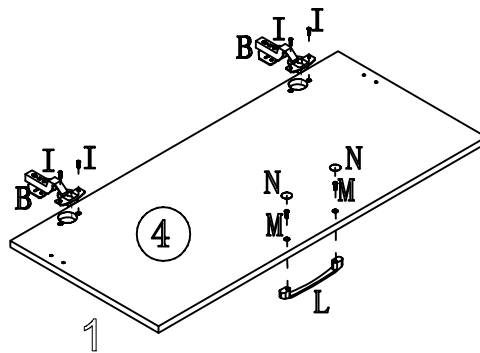
# Step 13

	 M3. 5*14mm
(k) x2pcs	(I) x10pcs



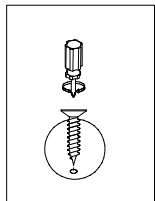
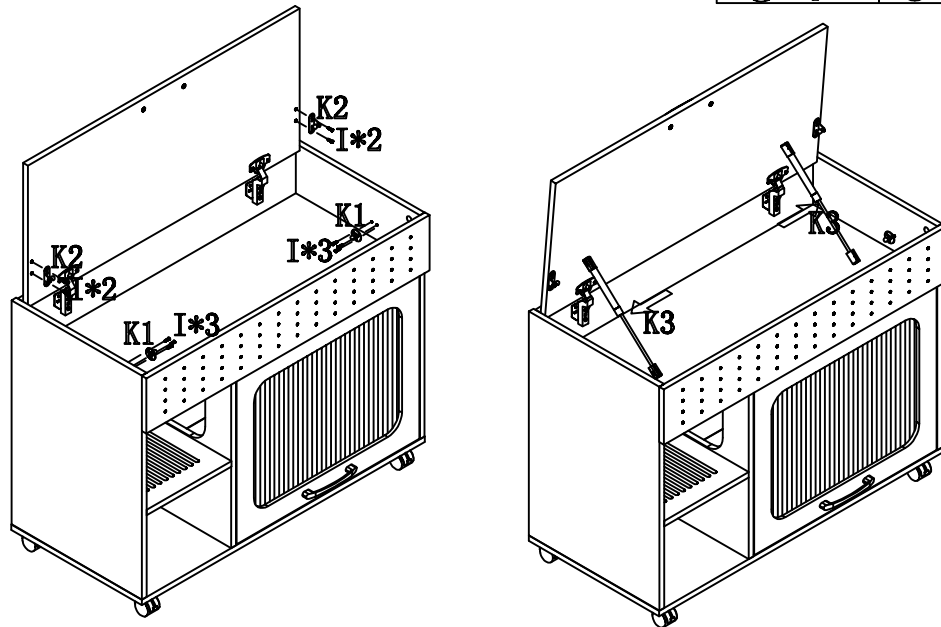
# Step 14

	 M3. 5*14mm	 128	 M4*16mm	 Ø20mm
(B) x2pcs	(I) x12pcs	(L) x1pc	(M) x2pcs	(N) x2pcs



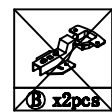
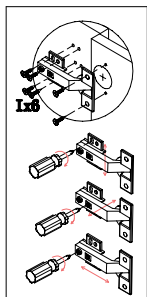
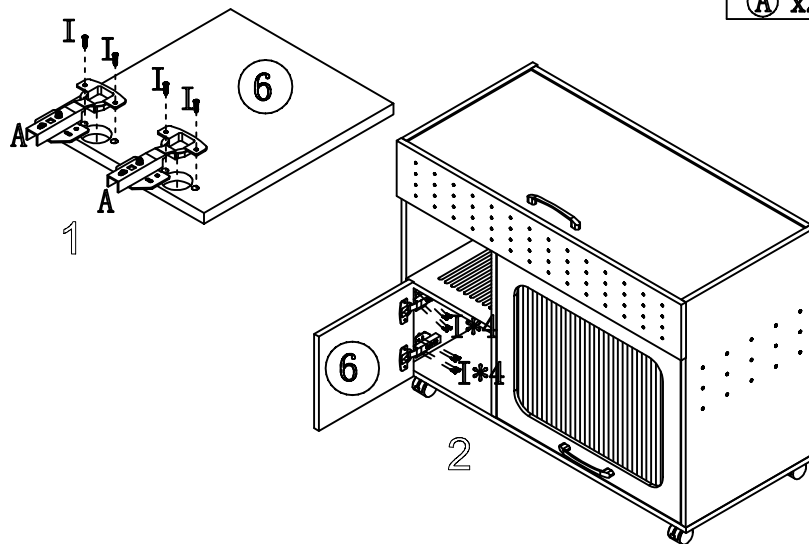
# Step 15

M3. 5*14mm	
<b>(K)</b> x2pcs	<b>(I)</b> x10pcs

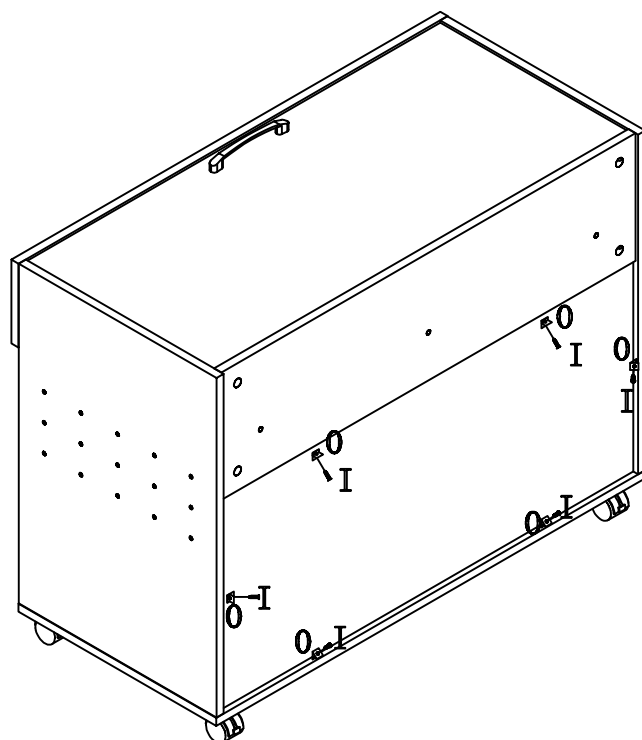



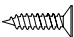
# Step 16

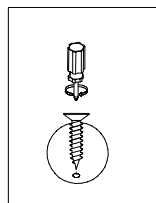
M3. 5*14mm	
<b>(A)</b> x2pcs	<b>(I)</b> x12pcs



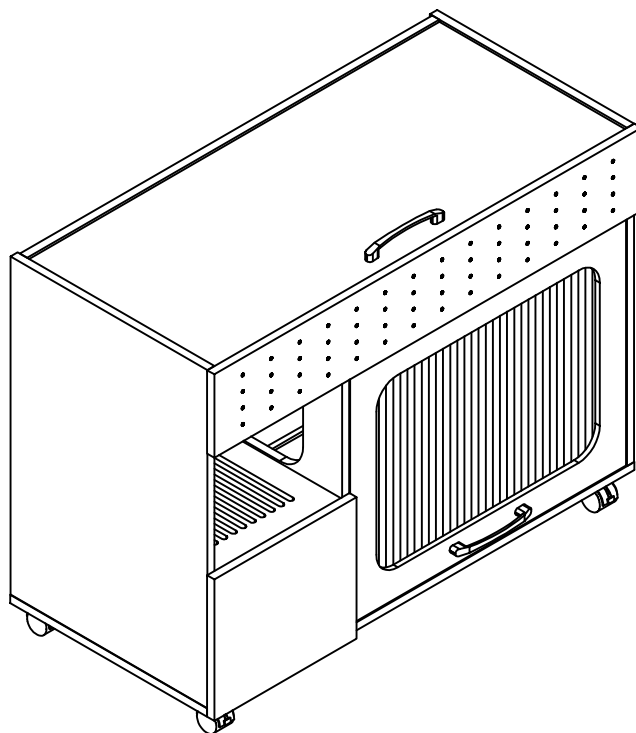
## Step 17




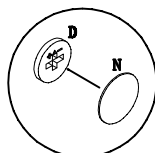
	
	M3.5*14mm
① x6pcs	① x6pcs



## Step 18




① x26pcs



After installing the product, stick the number N on the perforated position