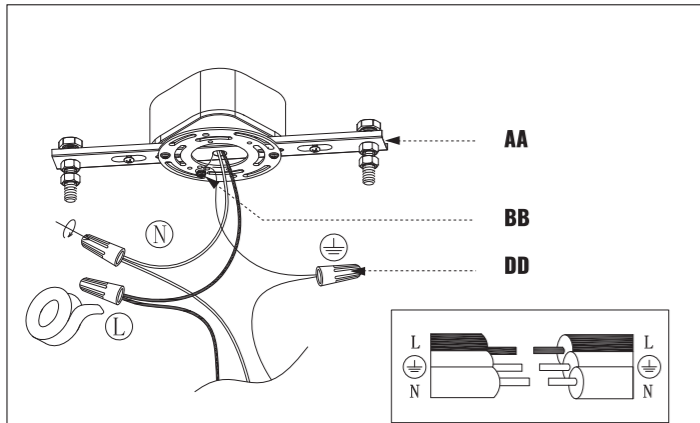


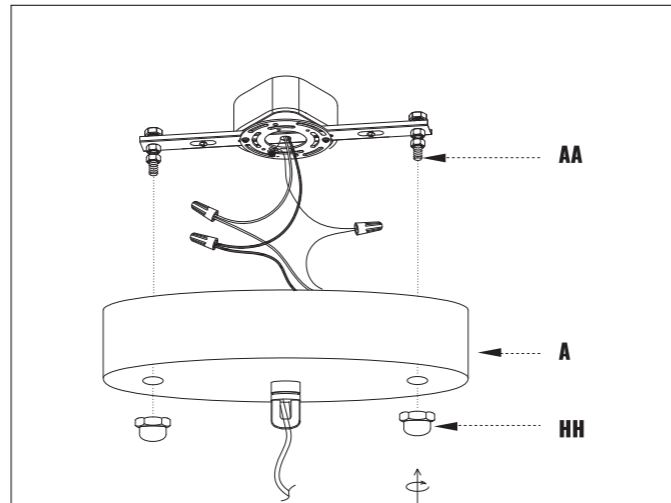
4. Connect the Wires



Step 1: Connect the wires from the fixture to the house supply wires with Wire Nut (DD), ground wire (green, green / yellow, or bare) to ground wire, neutral wire (white) to neutral wire, and hot wire (black) to the hot wire. Wrap the connection with electrical tape.

Step 2: Spread apart the wires so that the hot wires are on one side of the outlet box and the neutral wires are on the other.

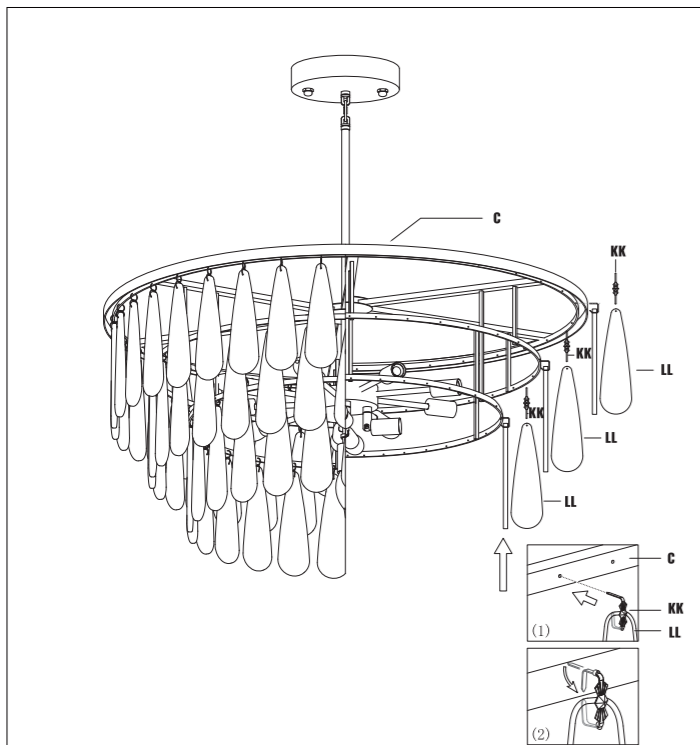
5. Fix the Canopy



Fix the Canopy (A) onto the Mounting Bracket (AA) with Knurled Nut (HH).

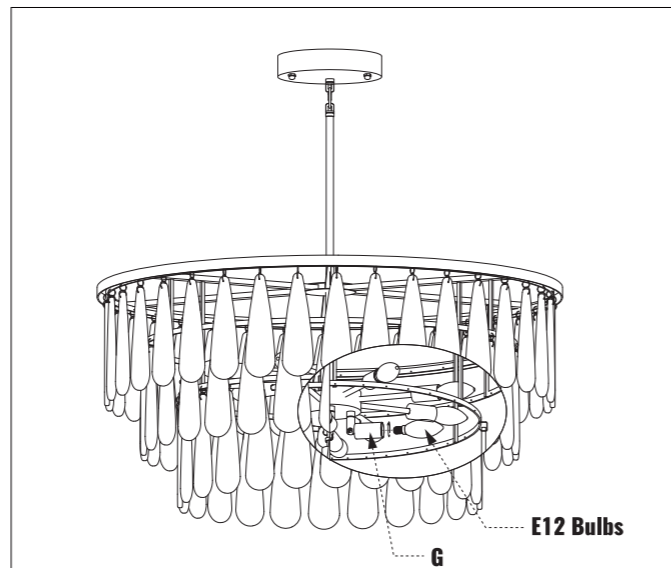
INSTALL BULBS AND CRYSTAL

1. Install Crystal



Fix the Glass (LL) into the holes of the Top Lamp Frame (C) / Middle Lamp Frame (H) / Bottom Lamp Frame (I) with a Butterfly Clip (KK) as shown.

2. Install Bulbs



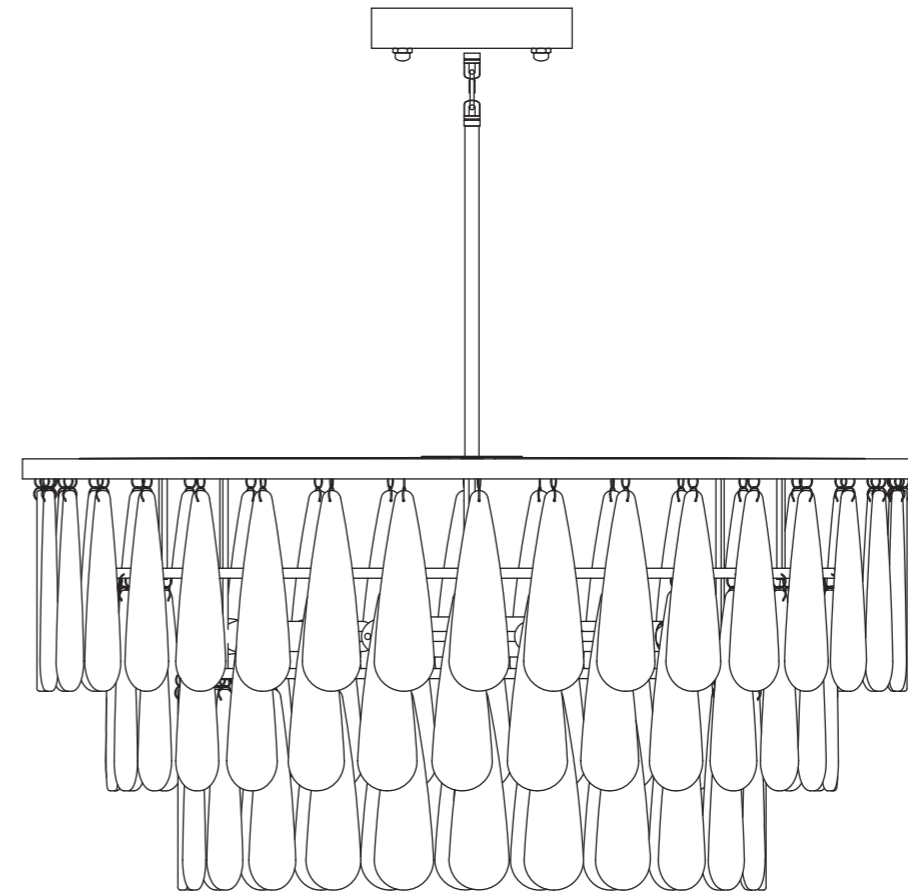
Install the E12 bulbs (not included).

NOTE:
This lamp uses E12 bulbs base and can only be used in conjunction with LED bulbs up to 40W. Fully dimmable when used with dimmable bulbs and compatible dimming switches (not included).

INSTALLATION MANUAL

CHANDELIER

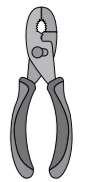
Model No.: HLP375BL-12A



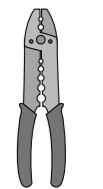
TOOLS REQUIRED



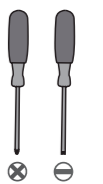
Ladder



Pliers



Wire Strippers

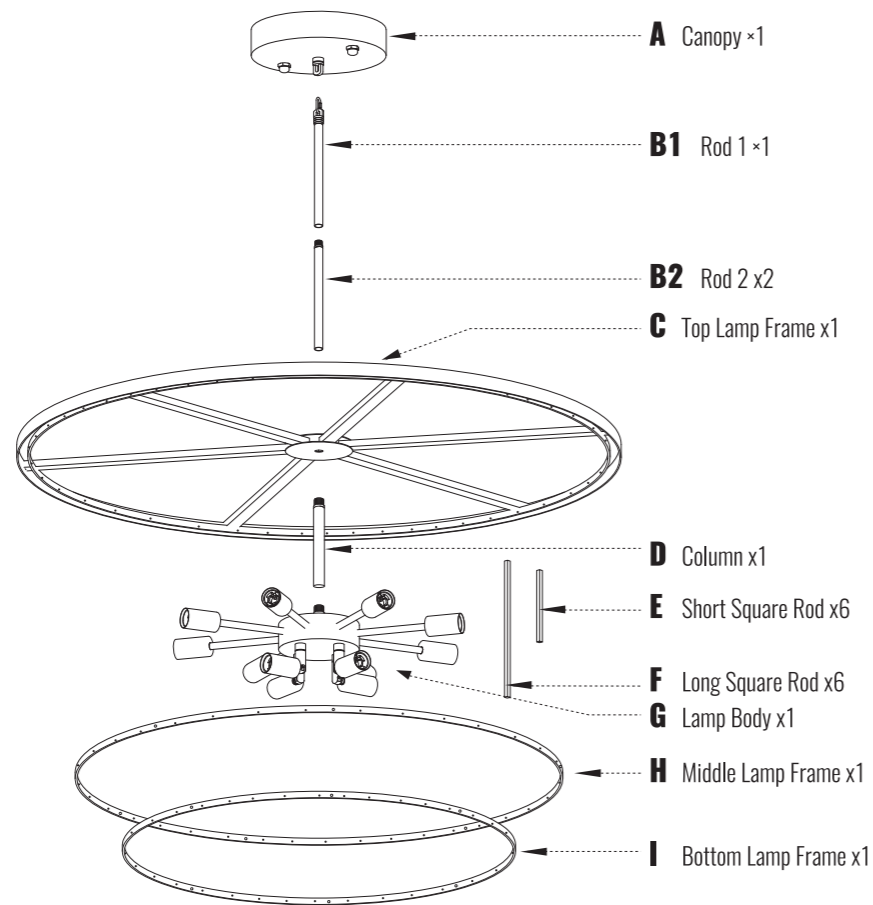


Screwdrivers








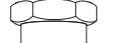
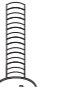








Scan for Installation Video

PACKING LIST



INSTALLATION KIT

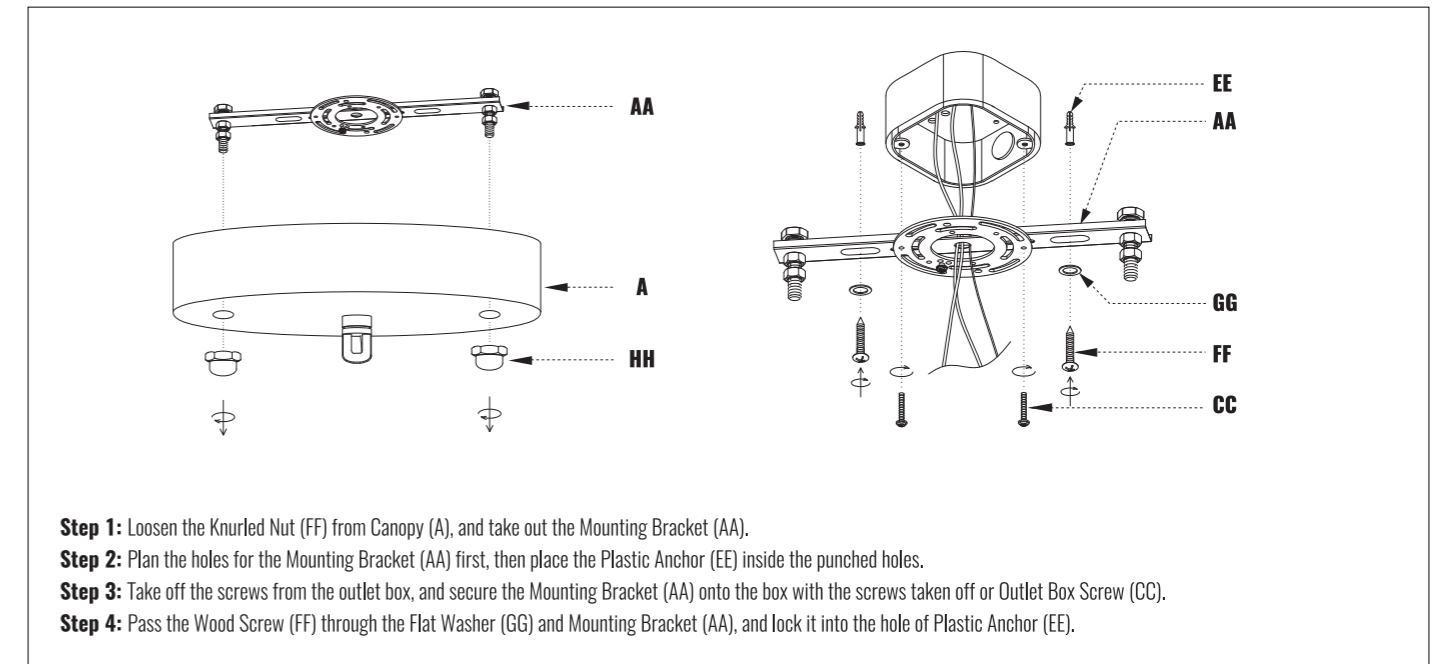
AA  Mounting Bracket 1×	BB  Ground Screw 1×	CC  Outlet Box Screw 2×	DD  Wire Nut 2×	EE  Plastic Anchor 2×
FF  Wood Screw 2×	GG  Flat Washer 2×	HH  Knurled Nut 2×	II  M5 Screw 12×	JJ  M3 Screw 12×
KK  Butterfly Clip 92×	LL  Glass 92×	MM  Nut 1×	NN  Coupling Cover 1×	OO  Gloves 1×

NOTE:

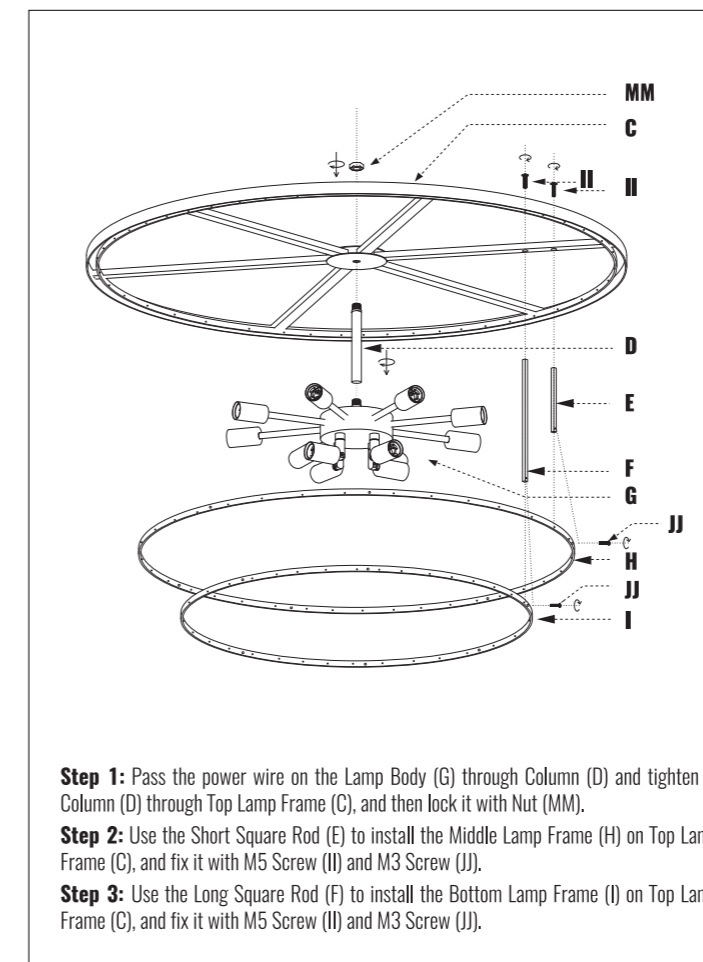
- BB has already been pre-installed in AA, and AA/HH has already been pre-installed in A.
- KK/LL has two spare parts for backup.

MOUNTING AND WIRE

1. Install the Mounting Bracket



2. Assemble the Lamp Body



3. Pass the Wire

