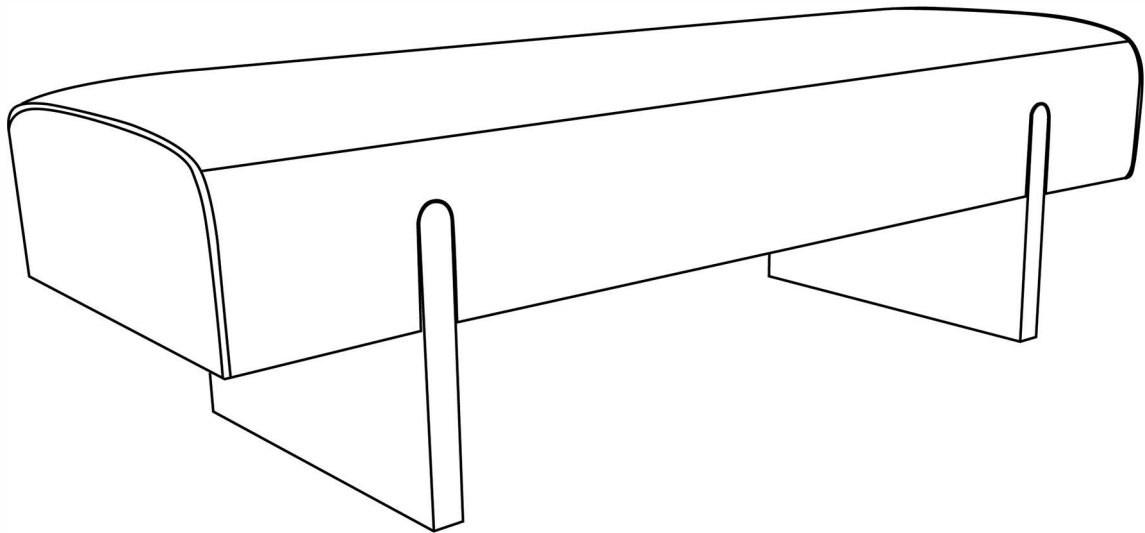


# BENCH

## ASSEMBLY INSTRUCTIONS



**HALF HOUR**  
ASSEMBLY TIME

**1 PEOPLE**  
REQUIRED FOR ASSEMBLY

## INSTALLATION SUGGESTIONS

PLEASE READ ALL THE INSTRUCTIONS CAREFULLY BEFORE ASSEMBLING AND USING THE PRODUCT.


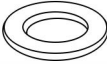
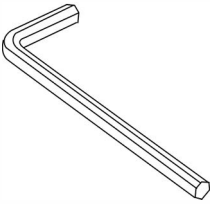
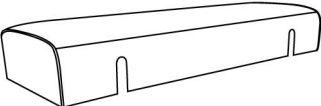
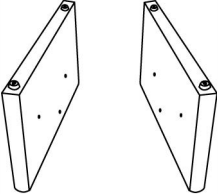
1. Please check whether all parts are complete according to the installation instructions.
2. Please ensure that the installation space is clean and flat to avoid dirt and damage to the product parts.
3. In each step, do not tighten bolts/screws completely until all bolts/screws are lined up and tightened 70% separately. Do not over tighten bolts/screws to avoid stripping.
4. We recommend that all assembled parts should be placed near the assembly location to avoid loss or forgetting while assembling.

## TIPS FOR GIVING FEEDBACK

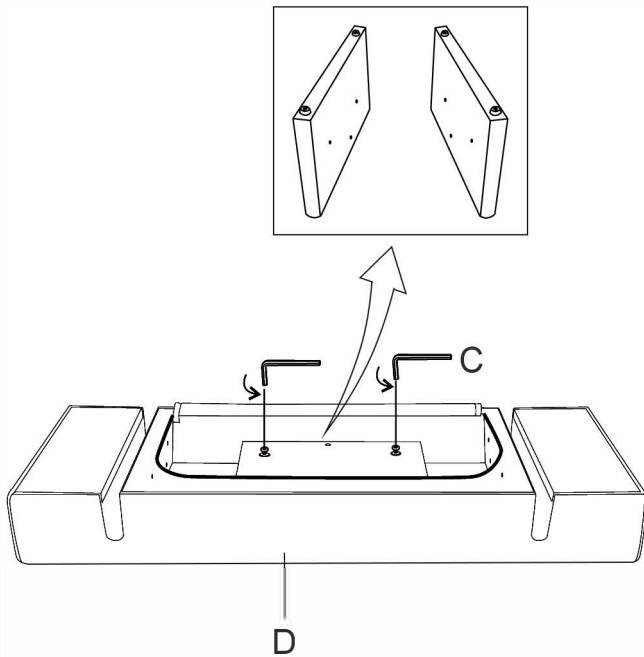
Please provide helpful information. We will give you feedback within 24h.

1. Describe your problem in detail and explain it with some clear multi-angle photos of the problem area.
2. Send your order ID and the letter number and quantity of the part in question from the parts list.
3. A clear photo of the side of the box that has the product information or the label on the bottom of the cushion.

## PARTS AND HARDWARE LIST

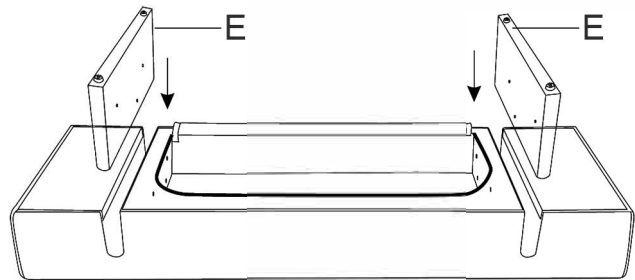
 <p>M6*10.5cm <b>A*6</b></p>	 <p><b>B*6</b></p>	 <p><b>C*1</b></p>
 <p><b>D*1</b></p>	 <p>It's inside the cushion. <b>E*1</b></p>	

## ASSEMBLY STEPS



### STEP 1.

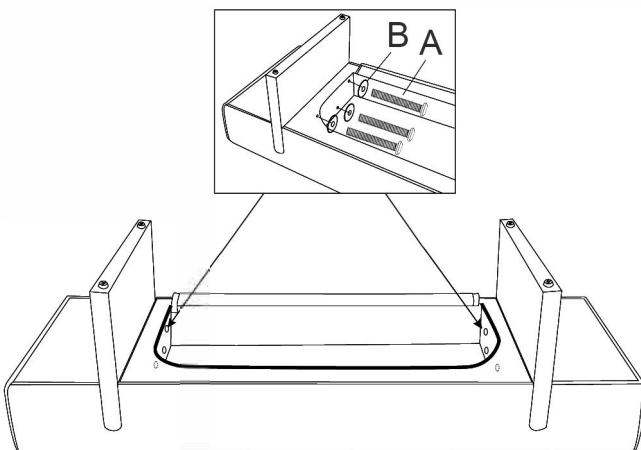
Unzip the bottom of the seat (D), loosening the screws on the board and carefully take out the legs (E\*2).



### STEP 2.

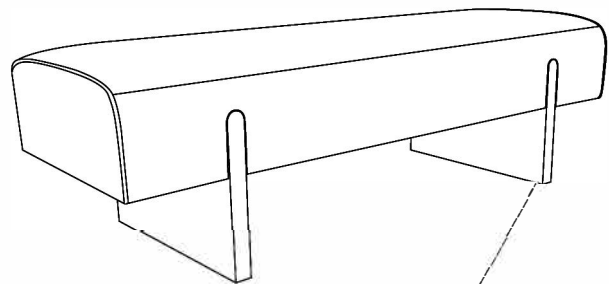
Insert both legs (E\*2) securely into the grooves of the seat (D).

Note: Align and insert all 6 screws first, then tighten all screws one by one.

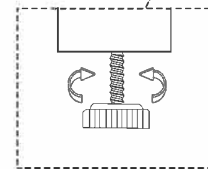


### STEP 3.

Locate the six holes on the inner sidewall of the seat (D). Use a combination of screws (A\*6) and washers (B\*6) to attach the legs to the seat.



Tips: By adjusting the adjustable feet pads on the legs, you can keep the bench stable on uneven ground.



### STEP 4.

Congratulations! You now own an exquisite bench.

## WARRANTY TERMS & CONDITIONS

1. We provide warranty for the product for one year.
2. The warranty period starts on the delivery date.
3. If the product has quality problems, contact us and we promise we will solve it for you.

## FABRIC MAINTENANCE TIPS

Stripe in the fabric? This can be caused by the pressure exerted on the fabric by the packaging. Fortunately, you can easily solve this yourself by steaming the fabric (use your **steam iron**, for example) or by spraying it with moisture. Then you can brush the fabric with a **clean soft brush**. The piles of the fabric will be repaired in this way!

