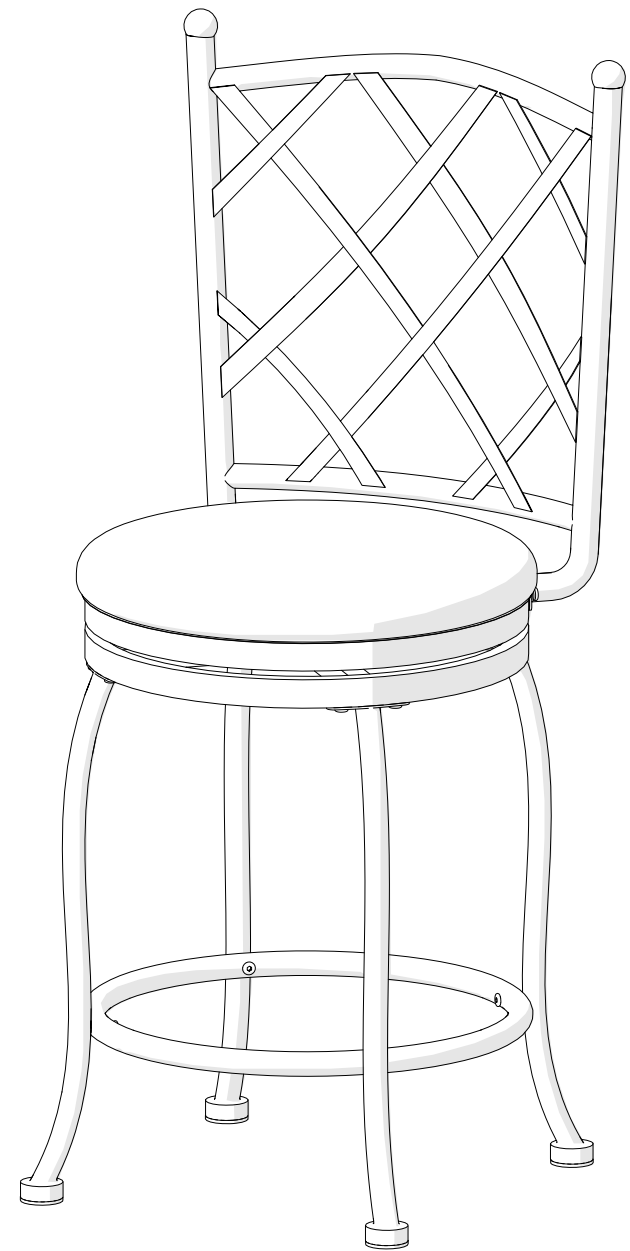


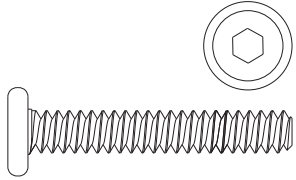
ASSEMBLY INSTRUCTION



hardware

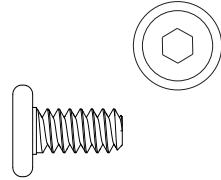
(A) x 4

1/4" x 35mm
round hex screw



(B) x 16

Φ 6mm x 12mm
round hex screw



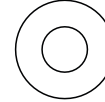
(C) x 4

Φ 6mm lock washer



(D) x 4

Φ 13mm flat washer



(E) x 1

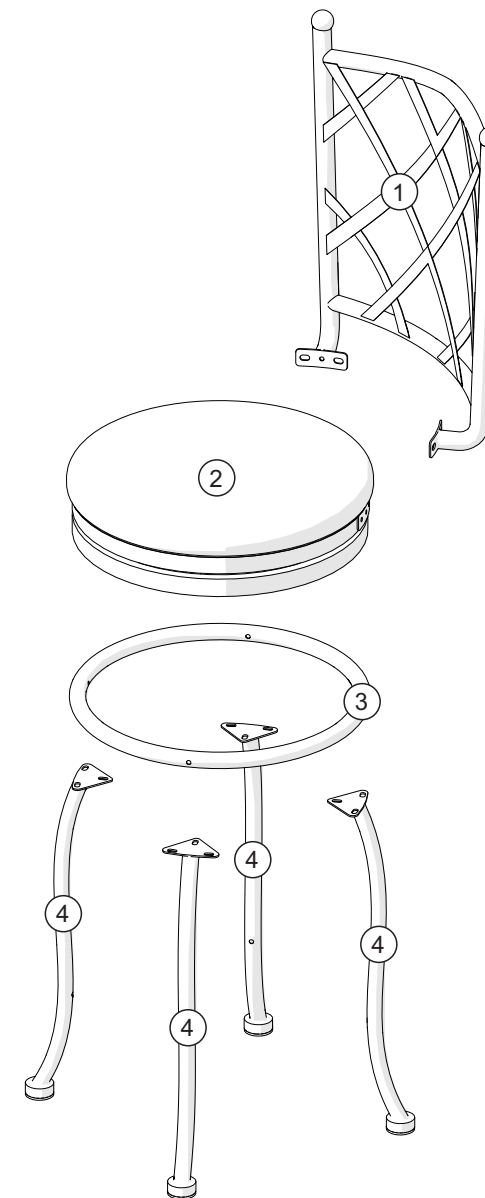
4mm Ball end
Hex wrench



ITEM DESCRIPTION QUANTITY

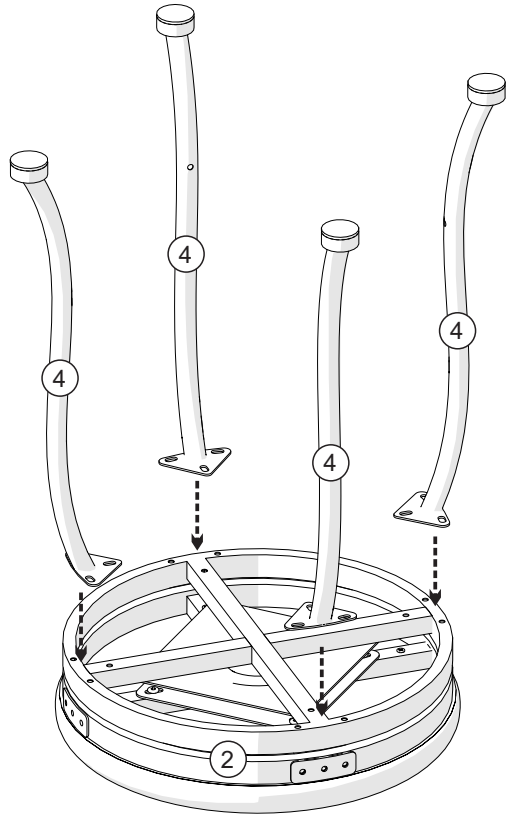
.....

①	chair back	1
②	seat cushion	1
③	bottom	1
④	leg	4



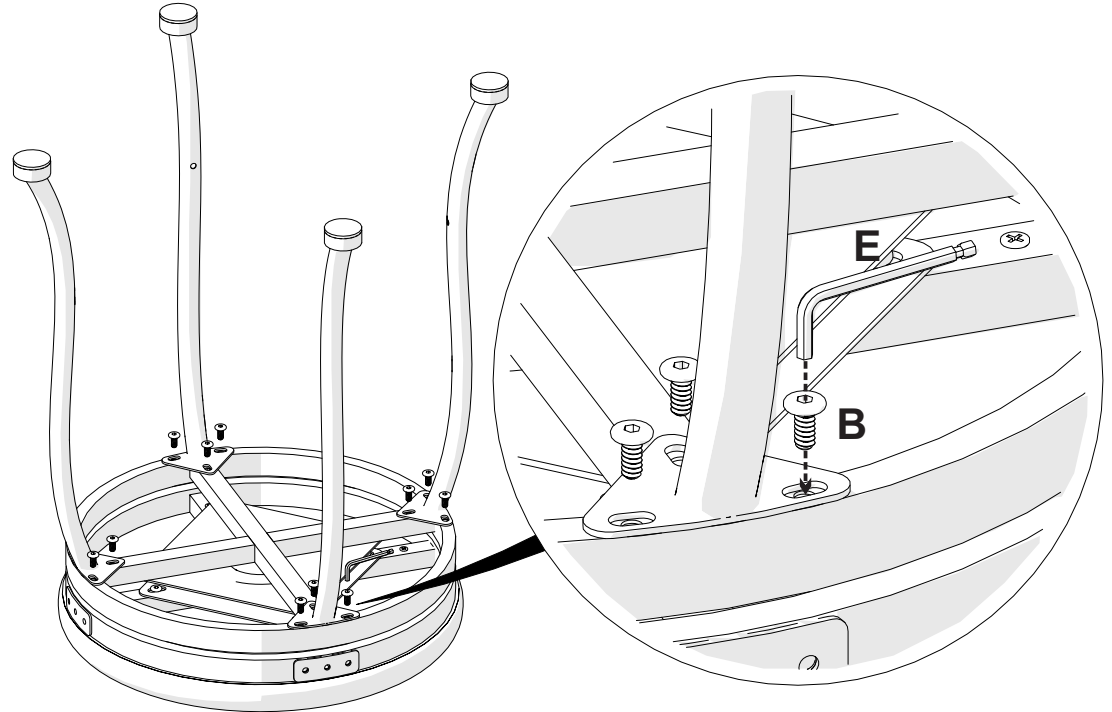
step 1.

1



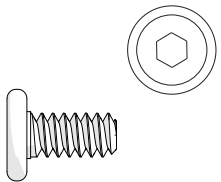
2

Do not tighten these 12 bolts until the next step.



(B) x 12

Φ 6mm x 12mm
round hex screw



(E) x 1

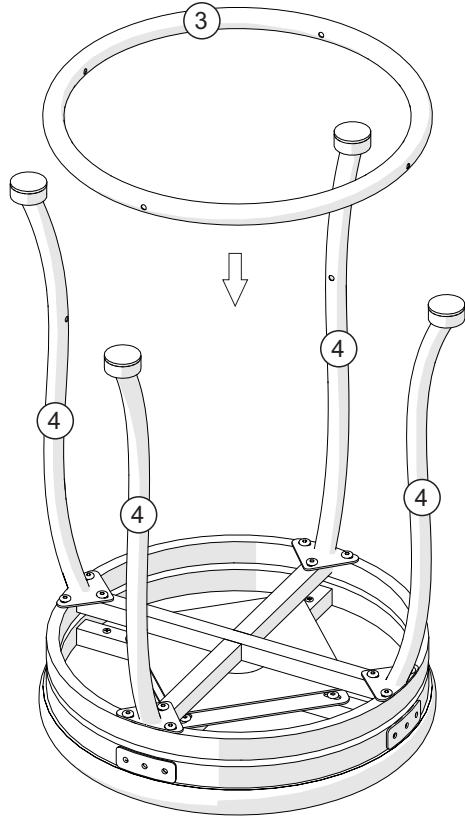
4mm Ball end
Hex wrench



Please do not assemble with power tools

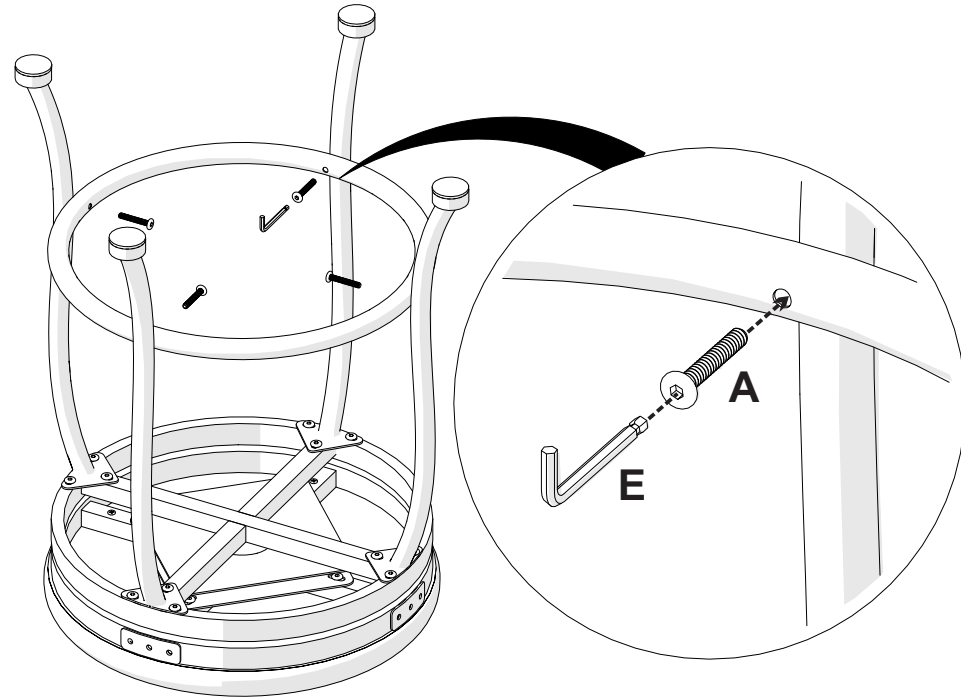
step 2.

1



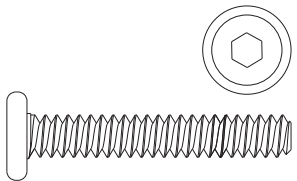
2

Now you may tighten all 16 bolts.



(A) x 4

1/4" x 35mm
round hex screw



(E) x 1

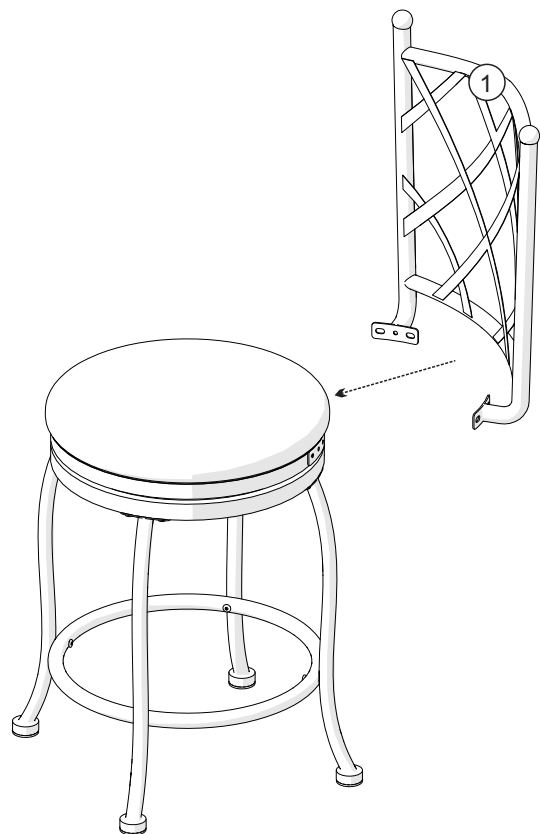
4mm Ball end
Hex wrench



Please do not assemble with power tools

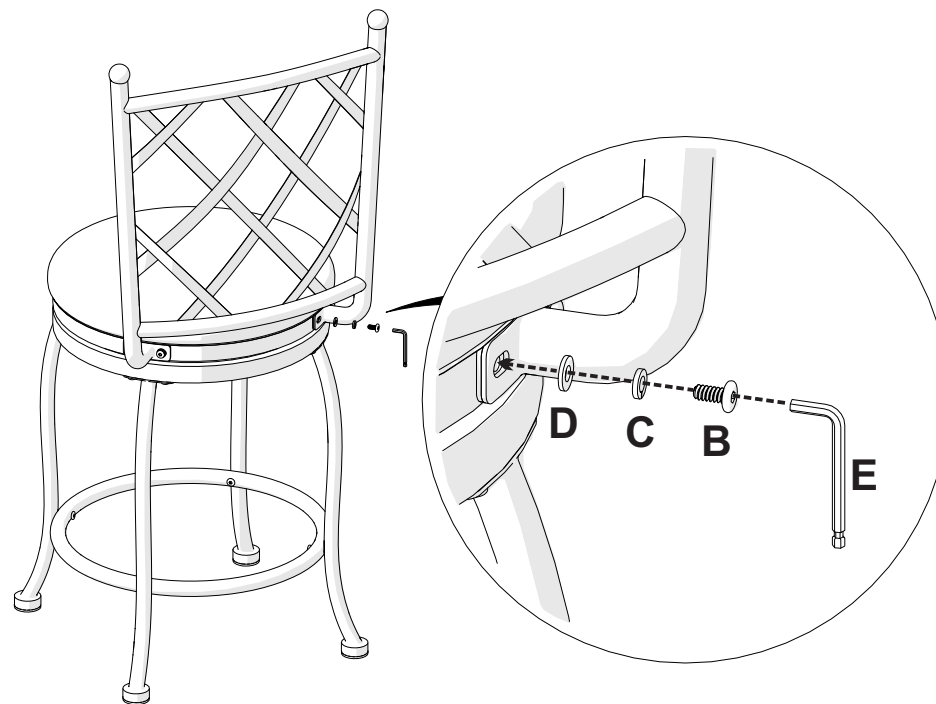
step 3.

1



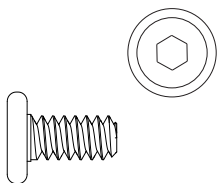
2

Now you may tighten all 4 bolts.



(B) x 4

Φ 6mm x 12mm
round hex screw



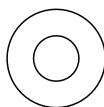
(C) x 4

Φ 6mm lock washer



(D) x 4

Φ 13mm flat washer



(E) x 1

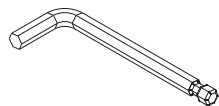
4mm Ball end
Hex wrench



Please do not assemble with power tools

step 4.

A friendly reminder from us:



Please keep the Allen wrench.

After a period of time, there may be a chance the
it may become loose, please use an
Allen wrench to tighten the loose bolts.

Put the chair right and check whether the chair has been well assembled.
If it is not assembled, loosen the screw and tighten it on the ground.

