

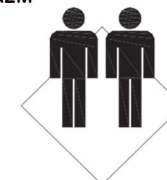
USER'S MANUAL
8 PCS WICKER SOFA SET
HW65782

THIS INSTRUCTION BOOKLET CONTAINS **IMPORTANT** SAFETY INFORMATION. PLEASE READ AND KEEP FOR FUTURE REFERENCE.

Please give us a chance to make it right and do better!

Contact our friendly customer service department for help first.
Replacements for missing or damaged parts will be shipped ASAP!

FLOOR AREA
2MX2M



ASSEMBLED BY 2 ADULTS

Follow Costway



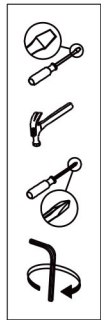
Contact Us!

Do NOT return this item.

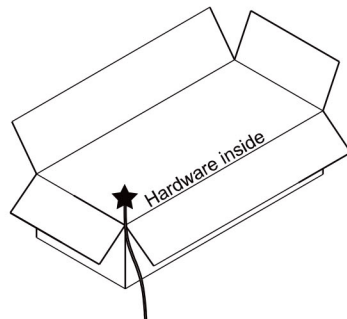
Contact our friendly customer service department for help first.



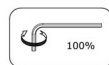
Before You Start



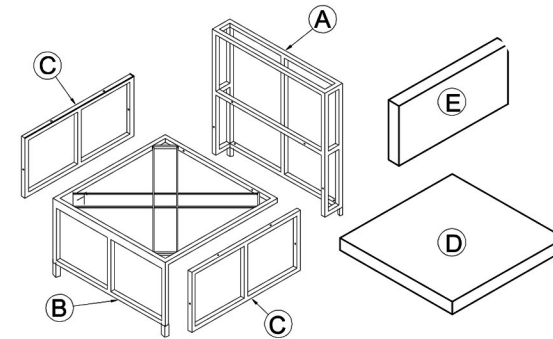
- ⚠ Read each step carefully before starting. It is very important to ensure each step followed in correct order, otherwise assembly difficulties may occur.
- ⚠ Most of board parts are labeled or stamped on the raw edges. Have a check to make sure all parts are included.
- ⚠ Work in a spacious area, preferably on a carpet close to where the unit will be used.
- ⚠ Keep the handtools close at hand. Do not use power tools to assemble your furniture. They may scratch or damage the parts.



50% Fastened

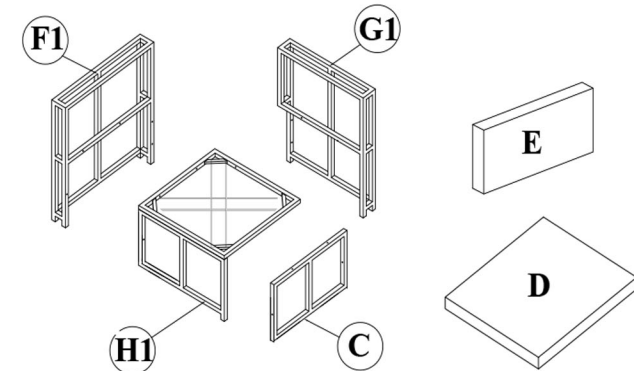


100% Fastened



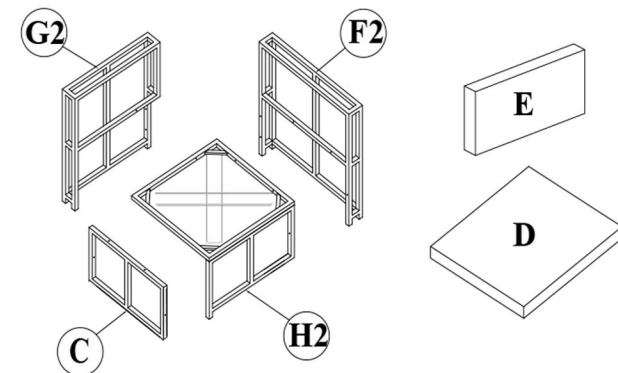
Armless chair

x4



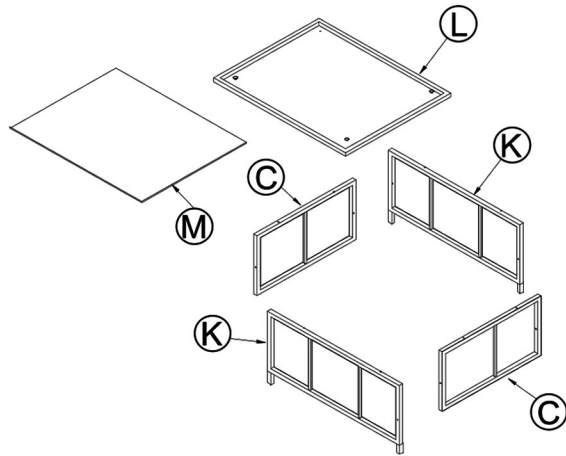
Corner right

x1



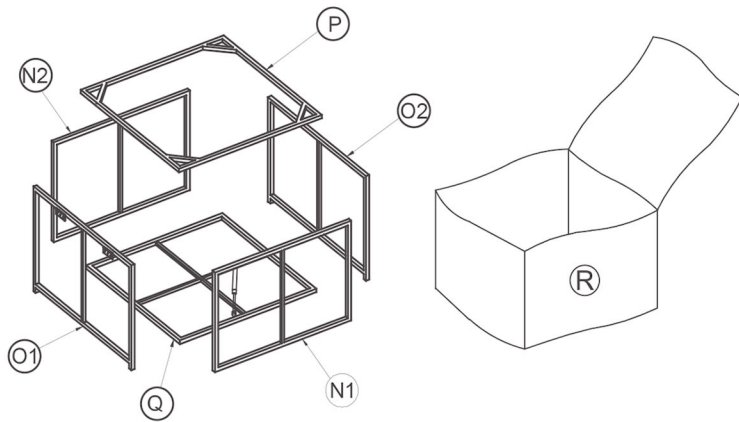
Corner left

x1




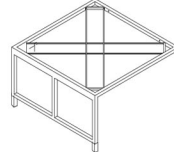
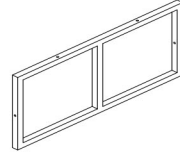
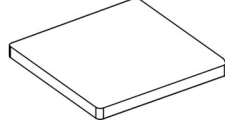
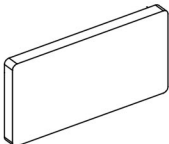
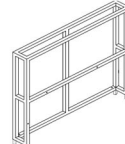
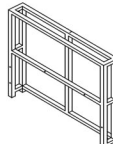
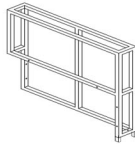
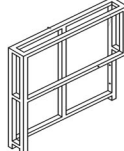
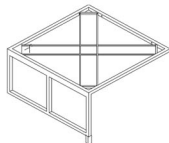
x1

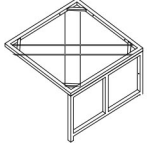
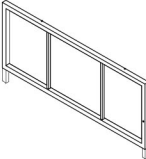
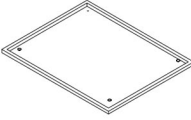
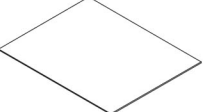
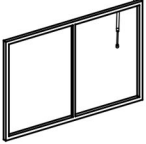
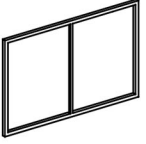

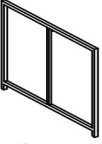


Coffee table

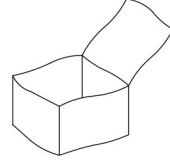

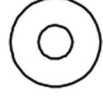


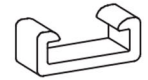


x1

Storage box

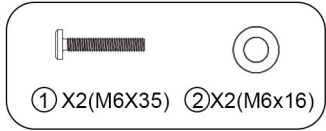
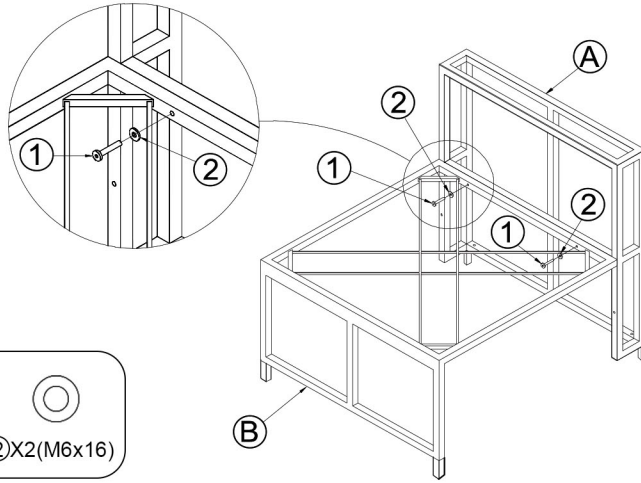
<p>A</p>  <p>Back frame of armless chair (4 pcs)</p>	<p>B</p>  <p>Seat frame of armless chair (4 pcs)</p>
<p>C</p>  <p>Side frame (12 pcs)</p>	<p>D</p>  <p>Seat cushion (6 pcs)</p>
<p>E</p>  <p>Back cushion (6 pcs)</p>	<p>F1</p>  <p>Back frame of right corner (1 pc)</p>
<p>F2</p>  <p>Back frame of left corner (1 pc)</p>	<p>G1</p>  <p>Side frame of right corner (1 pc)</p>
<p>G2</p>  <p>Side frame of left corner (1 pc)</p>	<p>H1</p>  <p>Seat frame of right corner (1 pc)</p>

<p>H2</p>  <p>Seat frame of left corner (1 pc)</p>	<p>K</p>  <p>Side frame of table (2 pcs)</p>
<p>L</p>  <p>Table top (1 pc)</p>	<p>M</p>  <p>Glass (1 pc)</p>
<p>N1</p>  <p>Left side frame of storage (1 pc)</p>	<p>N2</p>  <p>Right side frame of storage (1 pc)</p>
<p>O1</p>  <p>Back side frame of storage (1 pc)</p>	<p>O2</p>  <p>Front side frame of storage (1 pc)</p>
<p>P</p>  <p>Top of storage (1 pc)</p>	<p>Q</p>  <p>Bottom of storage (1 pc)</p>

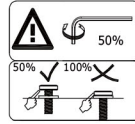
<p>R</p>  <p>Waterproof cover (1 pc)</p>	<p>1</p>  <p>Bolt M6x35 (92 pcs)</p>
<p>2</p>  <p>Washer M6x16 (92 pcs)</p>	<p>3</p>  <p>Bolt M6x20 (4 pcs)</p>
<p>4</p>  <p>Allen Wrench (2 pcs)</p>	<p>5</p>  <p>"C"clip(8 pcs)</p>

STEP 1

X 4

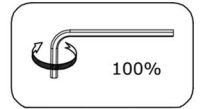
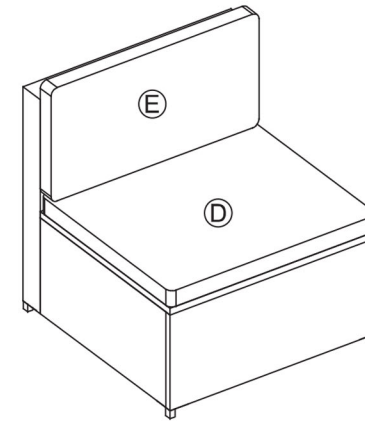


Please don't fasten the screw completely during assembly process, It will be likely to lead to an assembling problem that screw hole position is not aligned. You can fasten completely when all parts have been assembled.



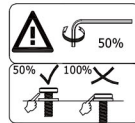
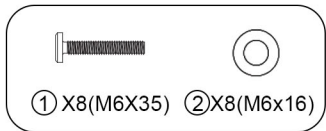
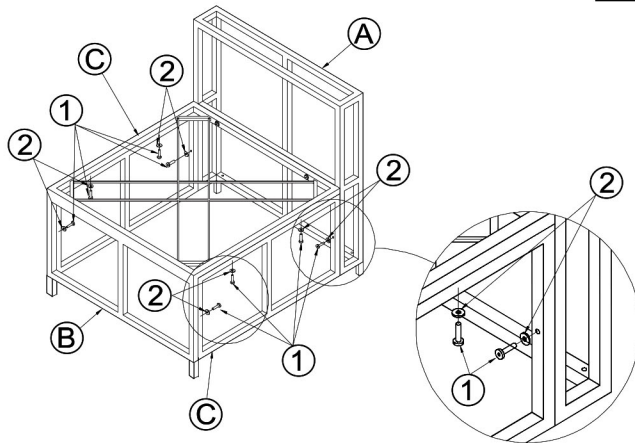
STEP 3

X 4

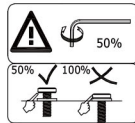
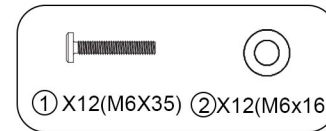
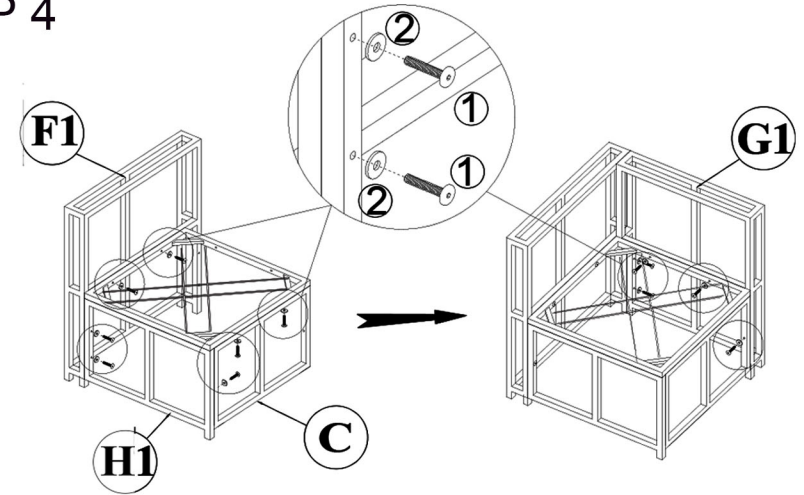


STEP 2

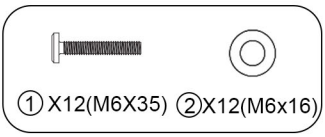
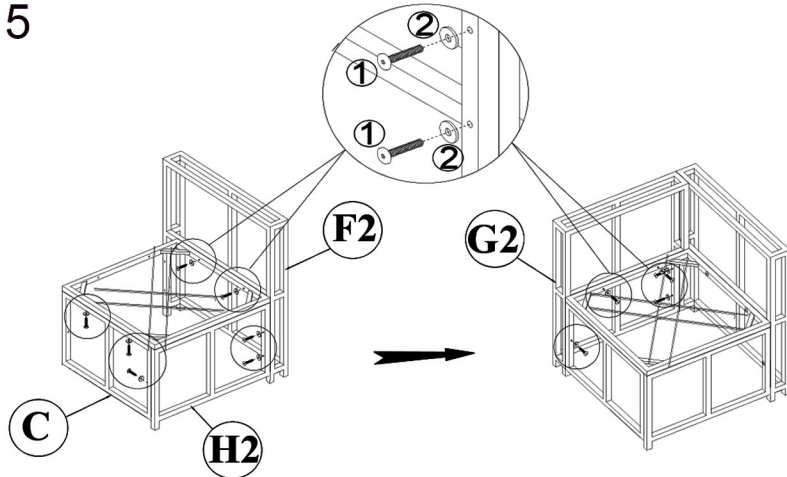
X 4



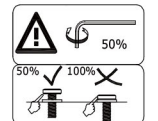
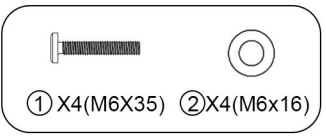
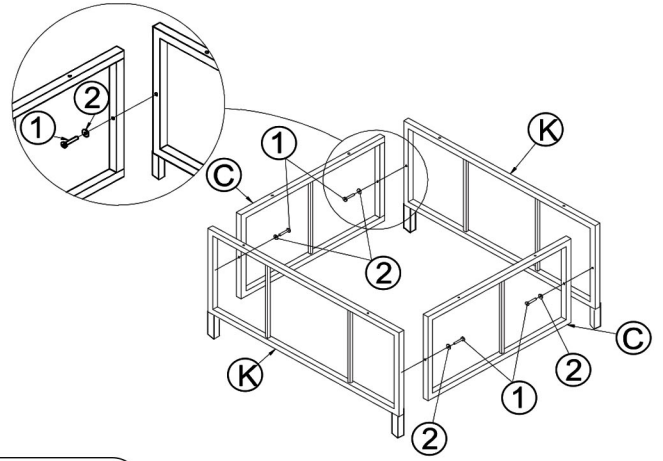
STEP 4



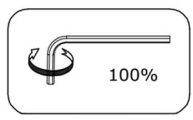
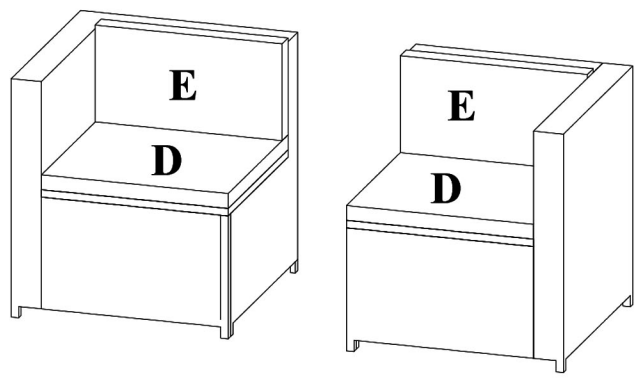
STEP 5



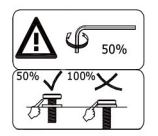
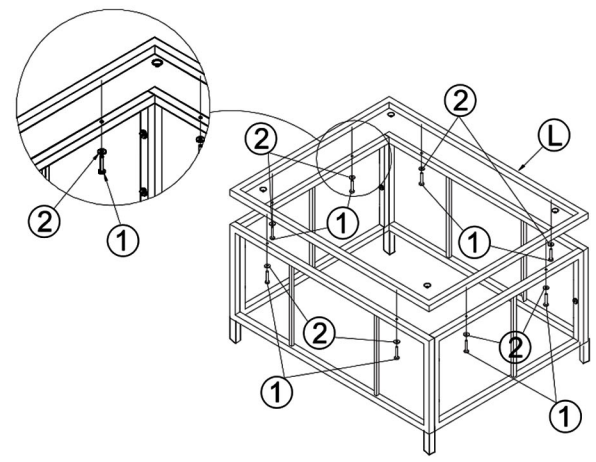
STEP 7



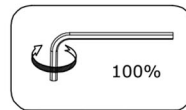
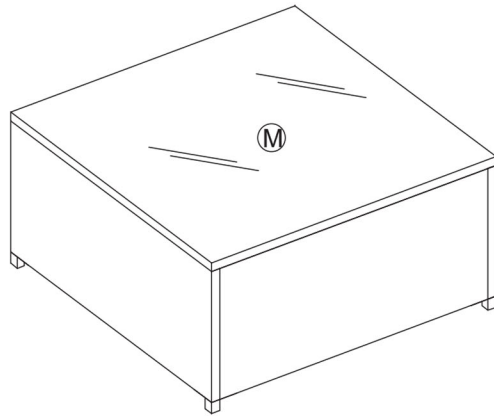
STEP 6



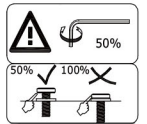
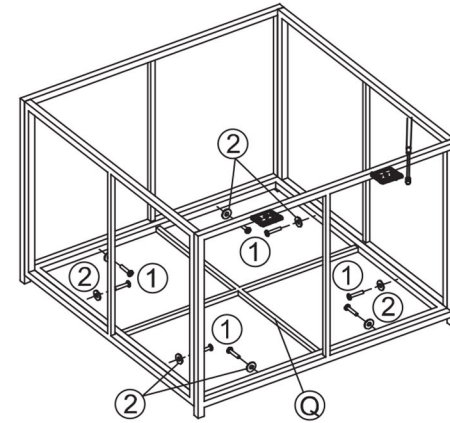
STEP 8



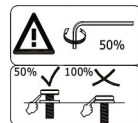
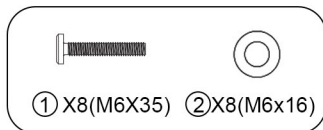
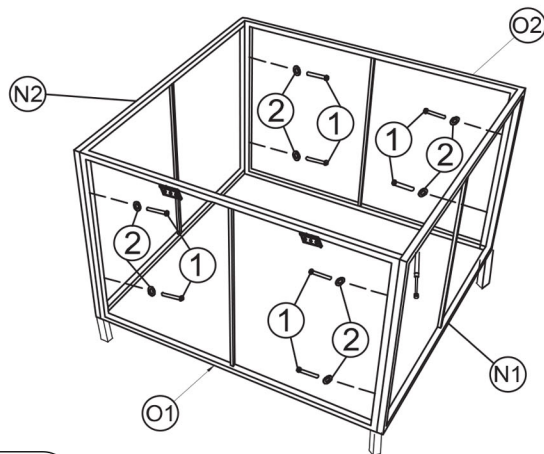
STEP 9



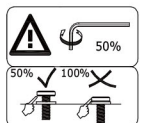
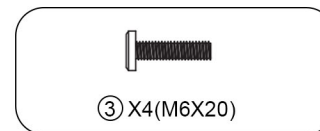
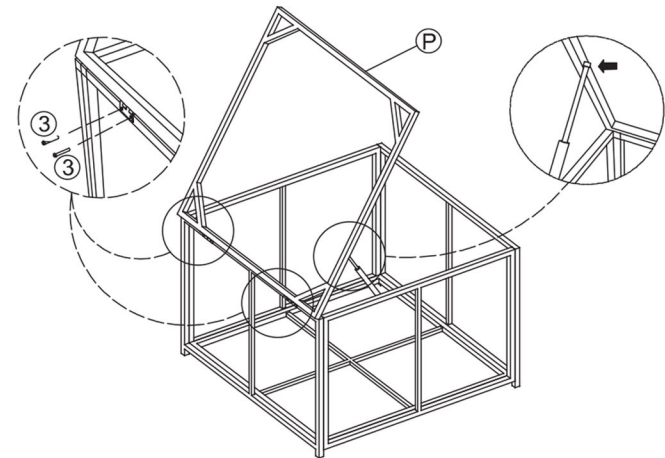
STEP 11



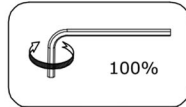
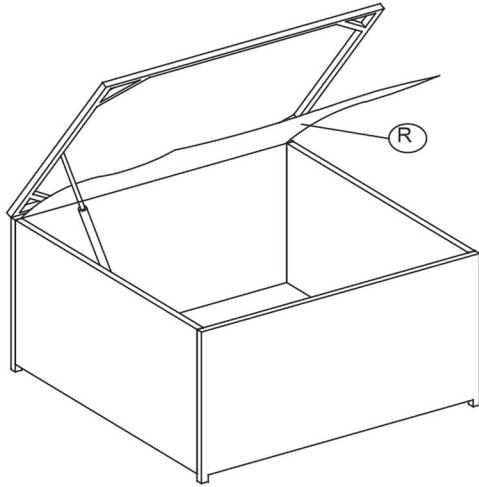
STEP 10



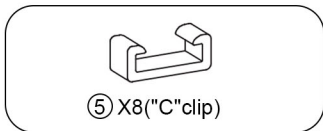
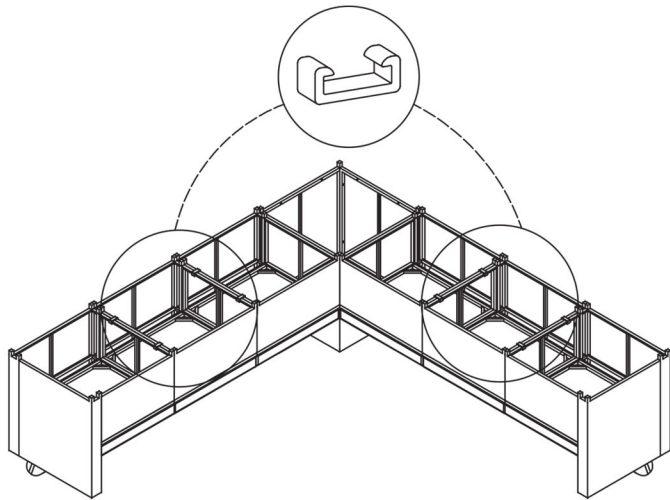
STEP 12



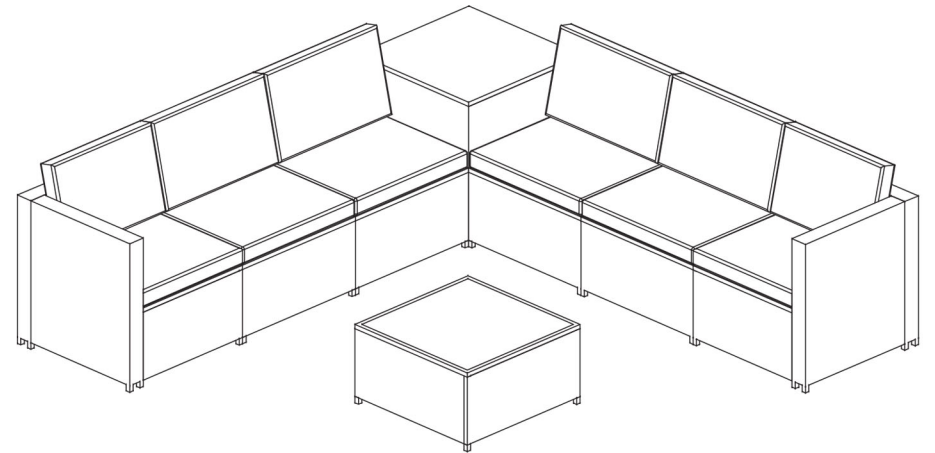
STEP 13



STEP 14



STEP 15



Done

Care and Maintenance

Use a soft, clean cloth that will not scratch the surface when dusting.

Use of furniture polish is not necessary.

Should you choose to use polish, test first in an inconspicuous area.

Using solvents of any kind on your furniture may damage the finish.

Liquid spills should be removed immediately. Using a soft clean cloth, blot the spill gently. Avoid rubbing.

Check bolts/screws periodically and tighten them if necessary.

Further advice about wood furniture care

Please protect your outdoor furniture with a cover when not in use since Long-term sunlight exposure will result in the damage on the surface.

In addition to sunlight damage, wood and metal frame suffers when exposed to extremes in temperature and humidity.

Proper care and cleaning at home will extend the life of your purchase.

Following these important and helpful tips will enhance your furniture as it ages.

Welcome to visit our website and purchase our quality products!

With your inspiring rating, COSTWAY will be more consistent to offer you EASY SHOPPING EXPERIENCE, GOOD PRODUCTS and EFFICIENT SERVICE!

US office: Fontana, California

UK office: Ipswich



- * Reward Points
- * Exclusive Customer Service
- * Personalized Recommendations
- * Permanent Shopping Cart
- * Order History

5 Star Rating



We would like to extend our heartfelt thanks to all of our customers for taking time to assemble this product and giving us valuable feedbacks.

THANK
YOU
😊