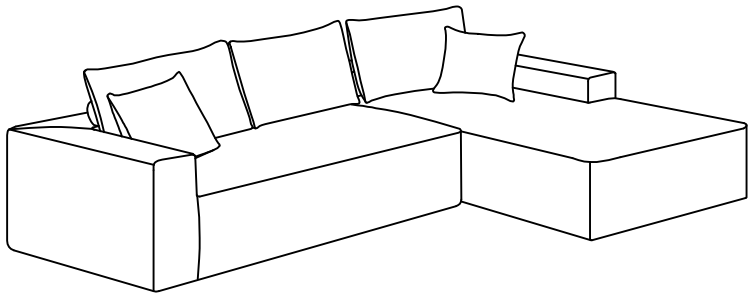
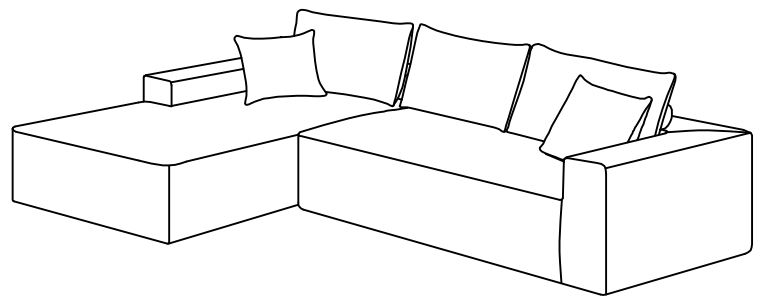


ASSEMBLY INSTRUCTION

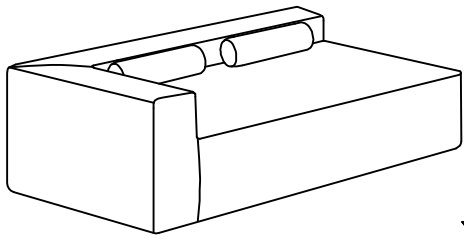


RIGHT CHAISE



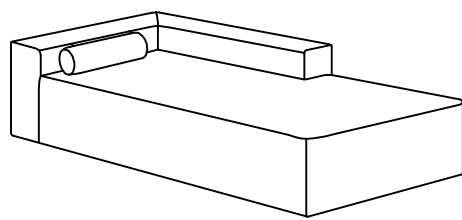
LEFT CHAISE

A 2P



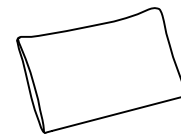
x1

B Chaise



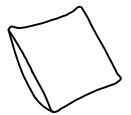
x1

C Back cushion



x3

D Pillow

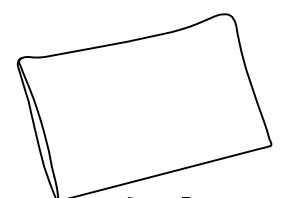
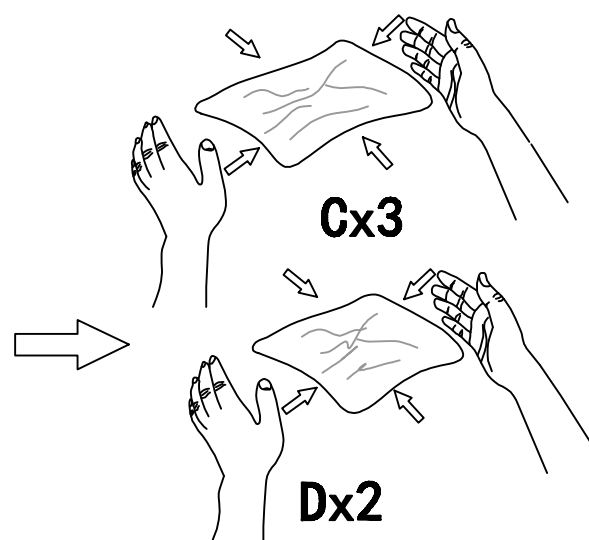
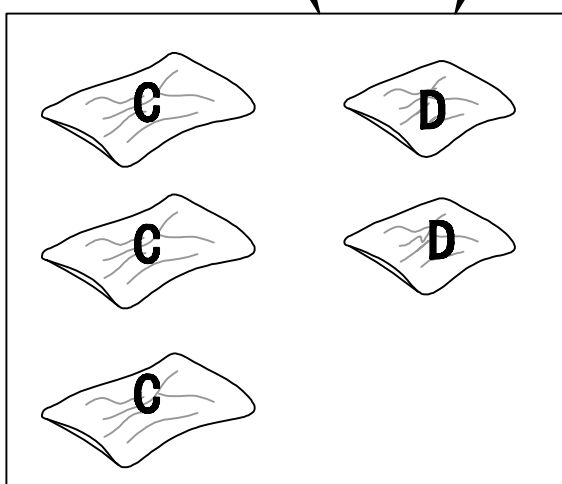
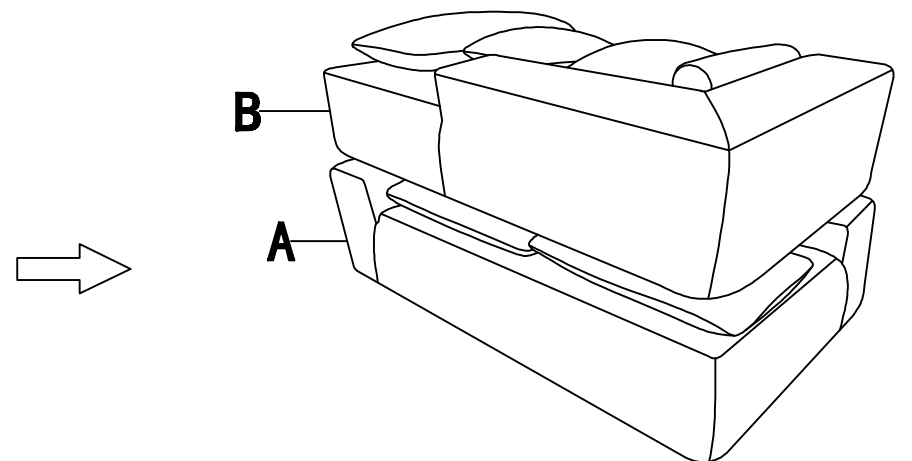
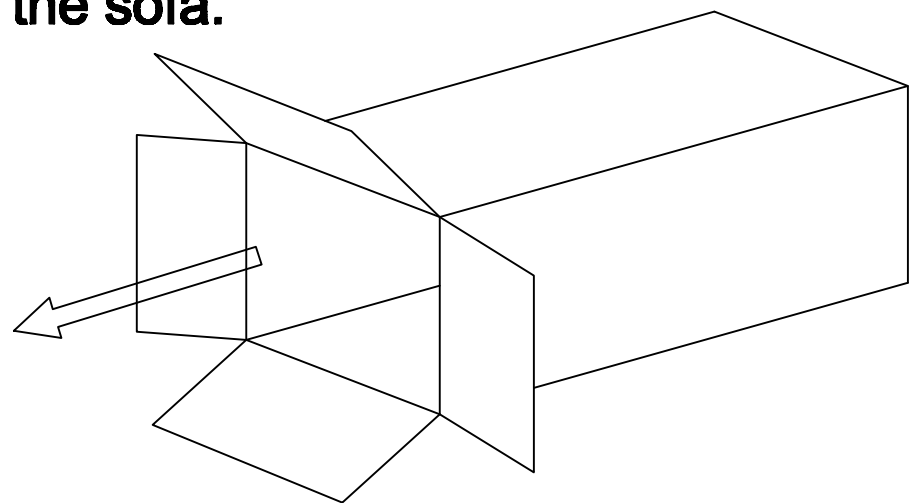
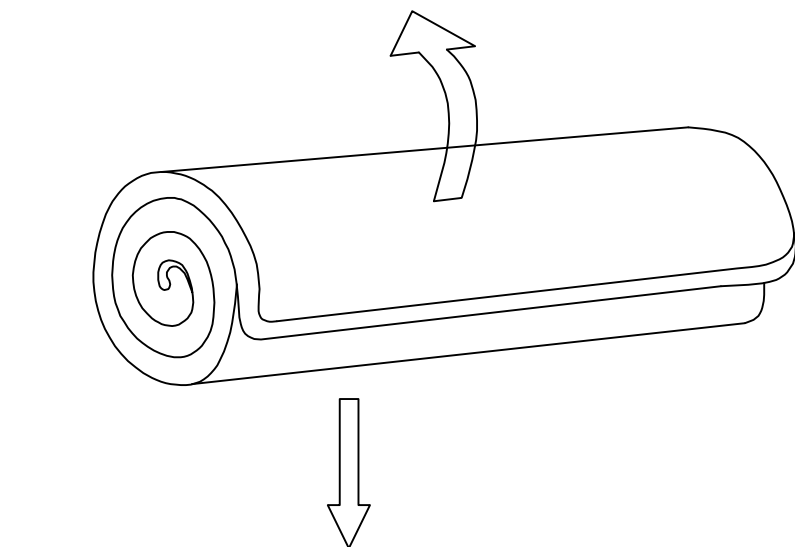


x2

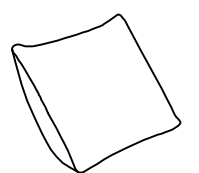
Step 1:

Attention:

The first step, do not use a knife to go deep into the box to open it, be careful not to cut the sofa.



Cx3



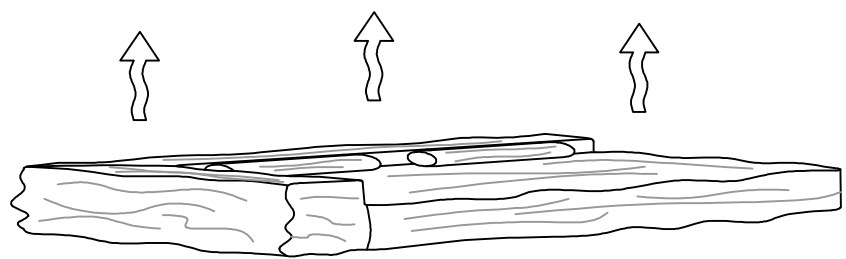
Dx2

Tap the pillow and back cushion according to the picture.

Step 2:

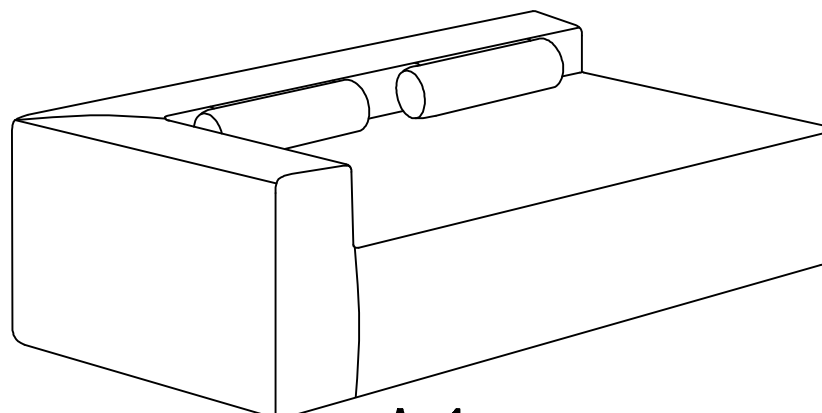
Attention:

The second step, open the compressed closed plastic bag to make the product expand, flap all parts of the sofa's surface with your hands, let the air enter the sofa sponge fully, and then use your hands to follow the knitting direction of the cloth to make the sofa color consistency.

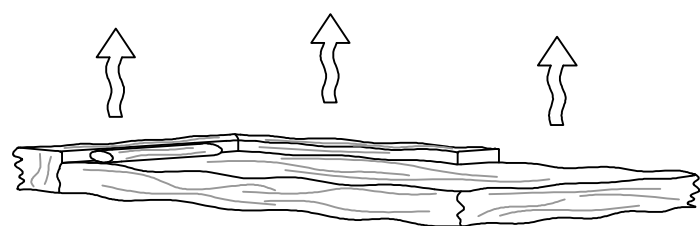


Ax1

Please wait for 72 hours

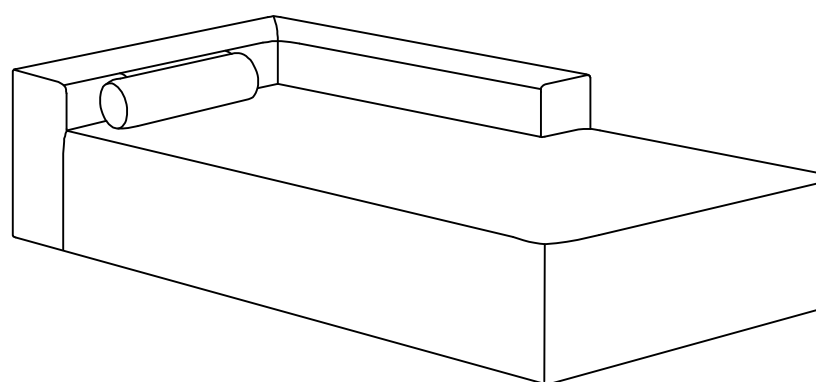


Ax1



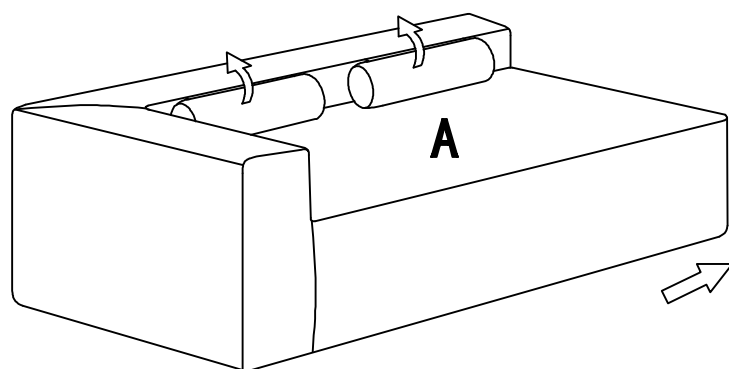
Bx1

Please wait for 72 hours

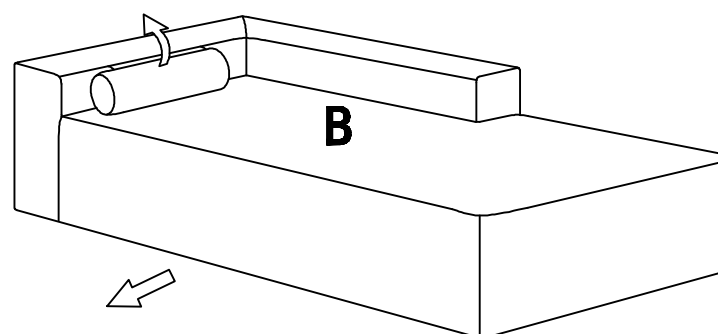


Bx1

Step 3:

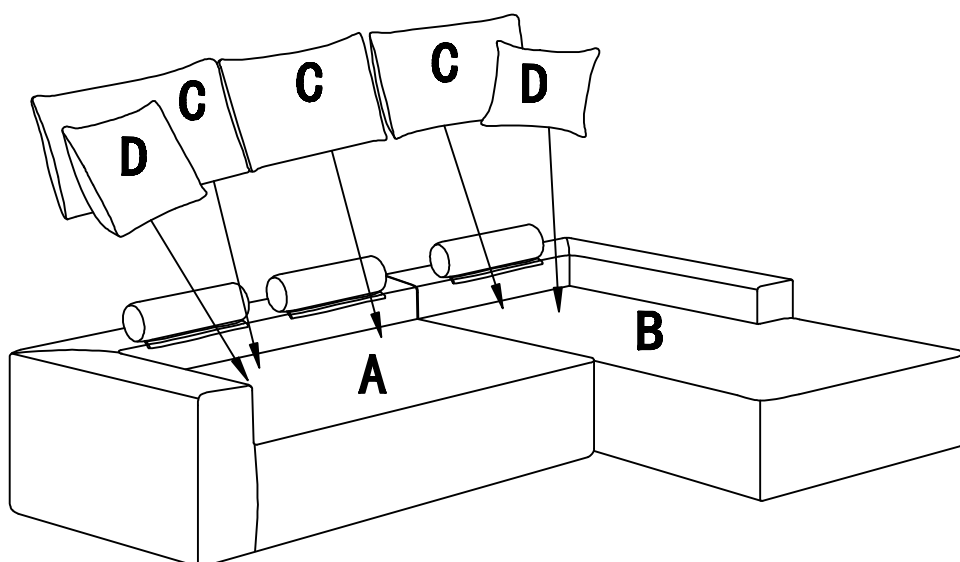


A



B

Step 4:



A

B

Step 5:

