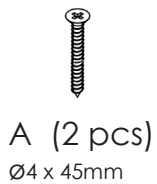
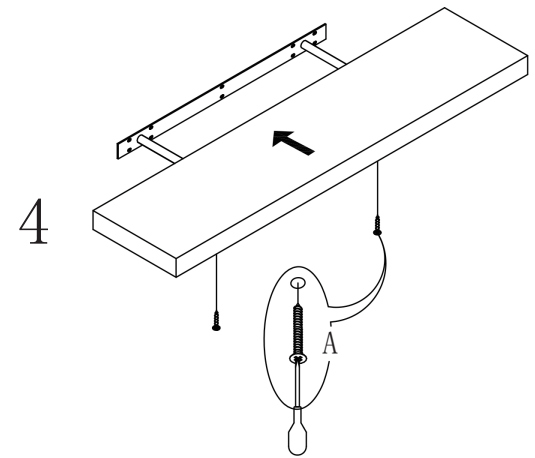
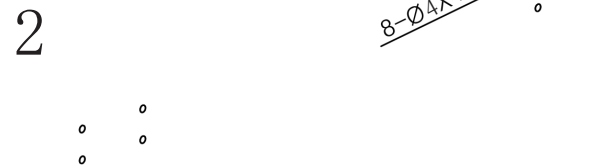
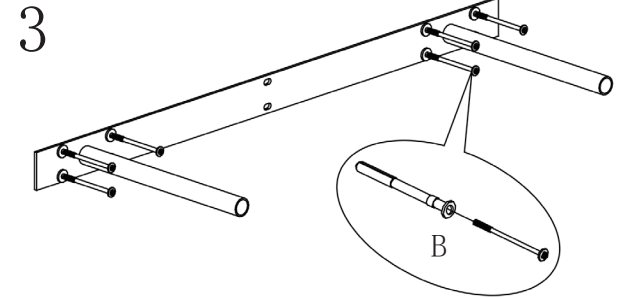
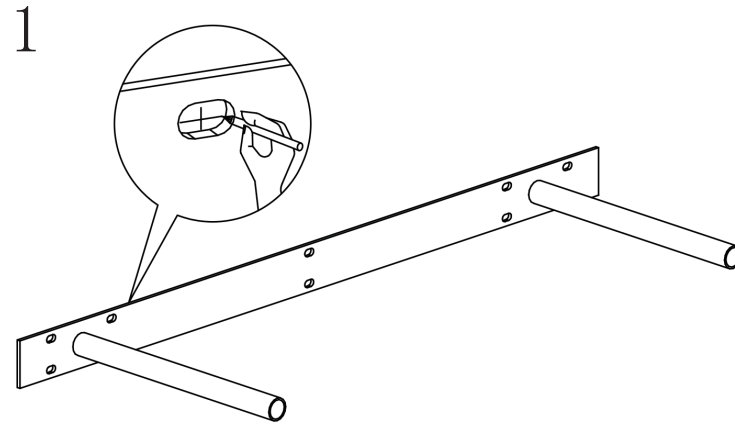
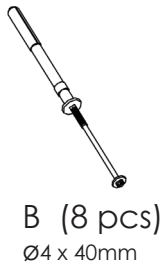


Assembly Instructions Shelf (43")

PLEASE NOTE: Check that you have received all components and hardware before assembling. If you are missing any parts, contact your retailer.



A (2 pcs)
Ø4 x 45mm



B (8 pcs)
Ø4 x 40mm

1. Stud installation is strongly recommended. Use level to line up your shelf. Mark the screw holes with pencil on the wall.
2. Insert the wall anchor from screw (B) if using them.
3. Use provided screws (B) to screw the shelf bracket into the wall.
4. Line up the holes on the back of the shelf with the mounting bracket and slide the shelf over them. Insert screws (A) from underneath to secure the shelf.