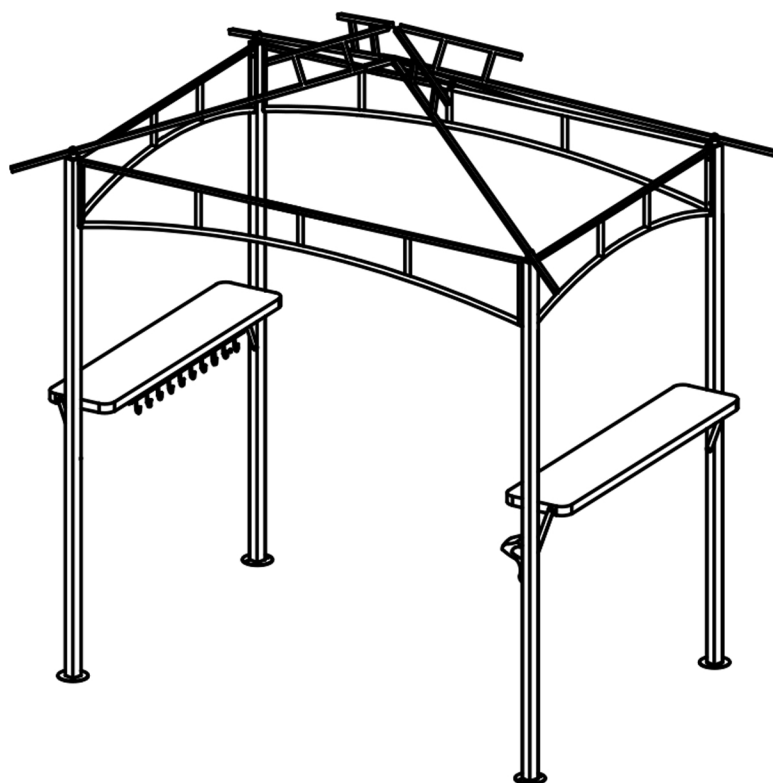


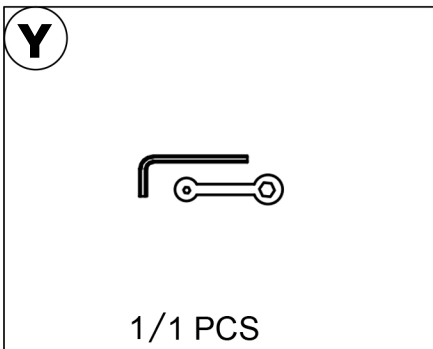
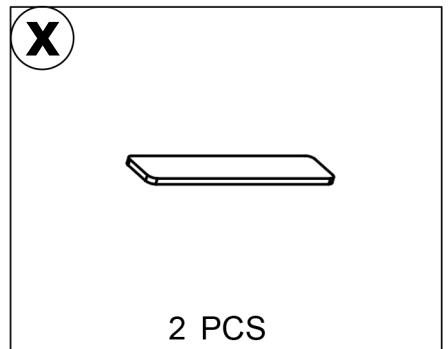
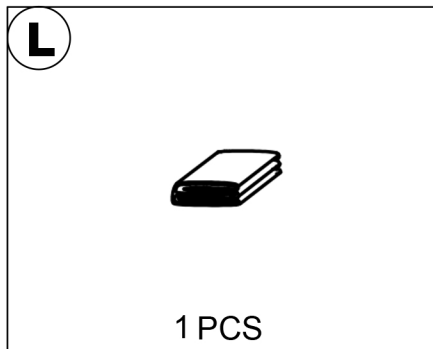
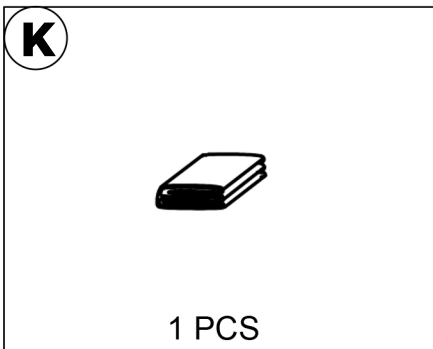
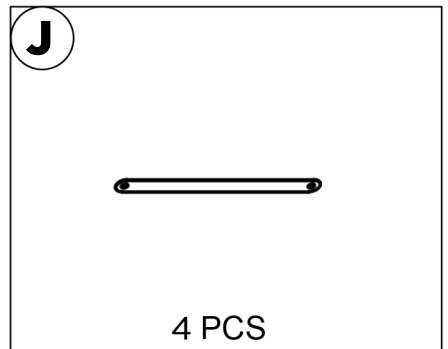
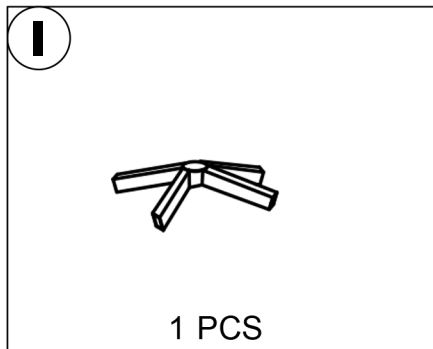
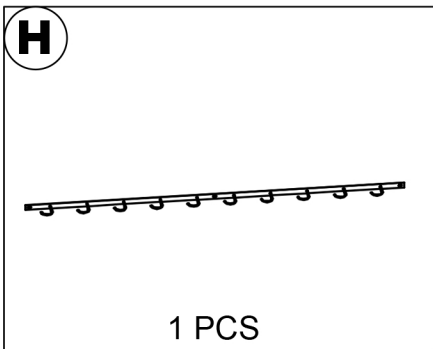
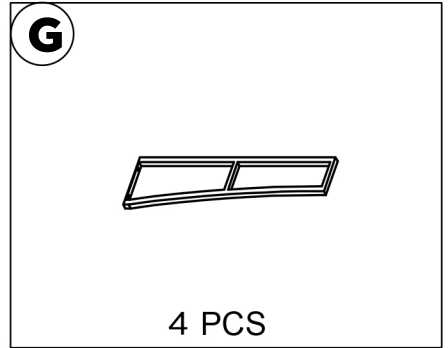
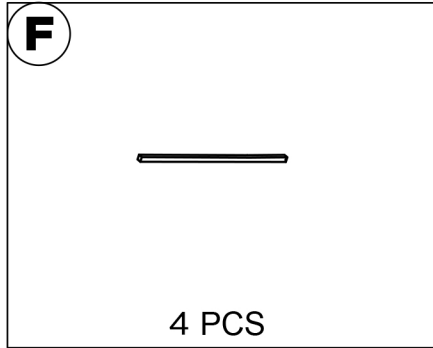
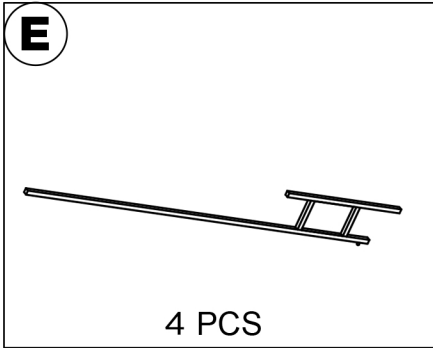
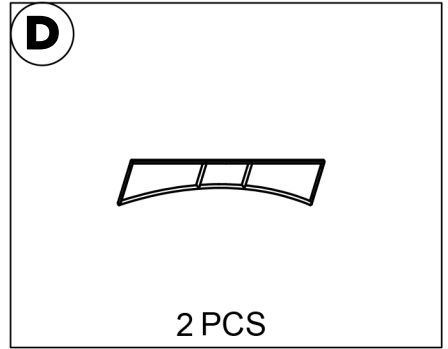
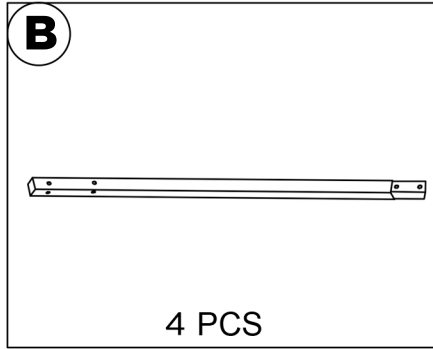
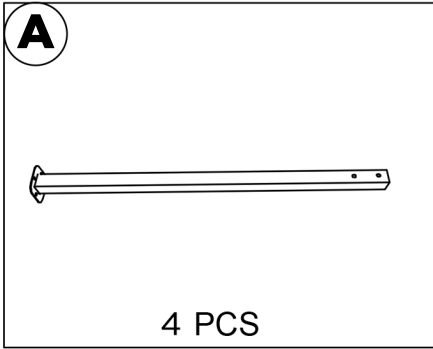
Grill Gazebo



INSTRUCTION MANUAL

G31004

PARTS



PARTS

M



3 PCS

N

M6x15



8 PCS

O

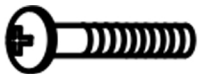
M6x20



32 PCS

P

M6x25



4 PCS

Q



14 PCS

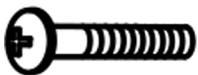
R



4 PCS

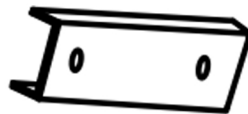
S

M6x70



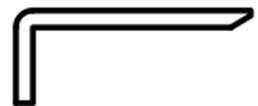
4 PCS

U



4 PCS

V



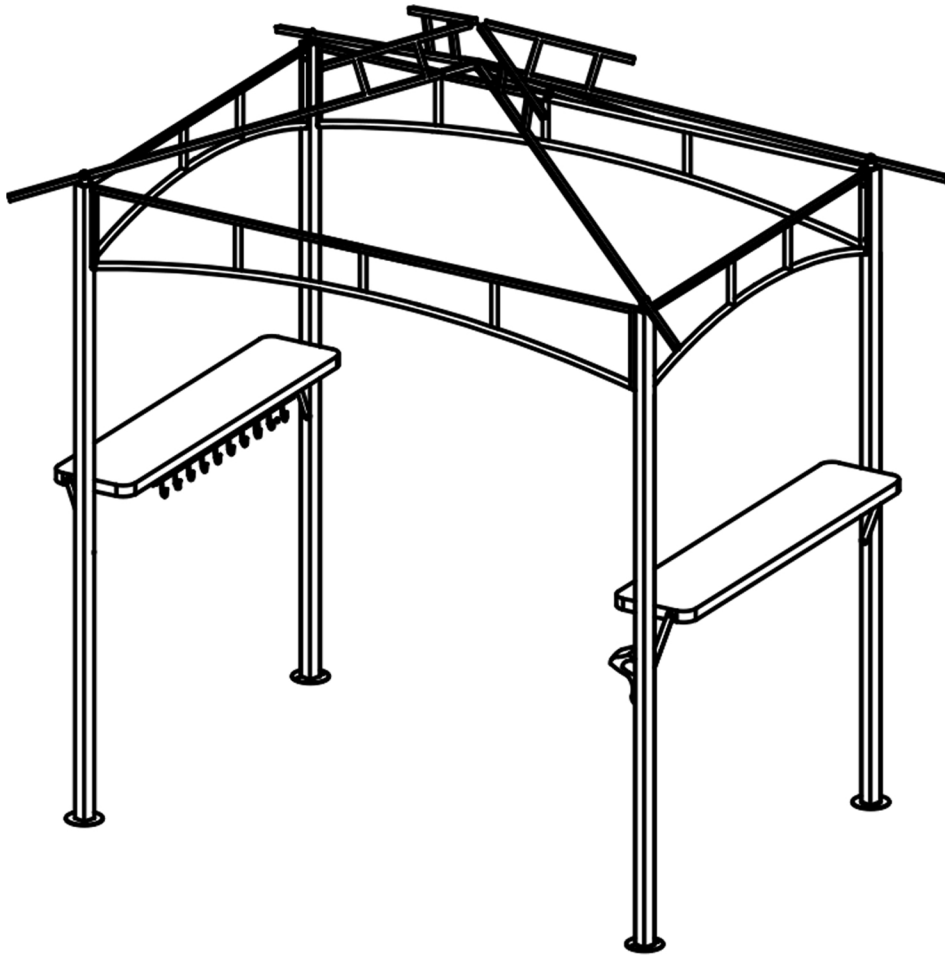
8 PCS

W



1 PCS

PRODUCT ASSEMBLY

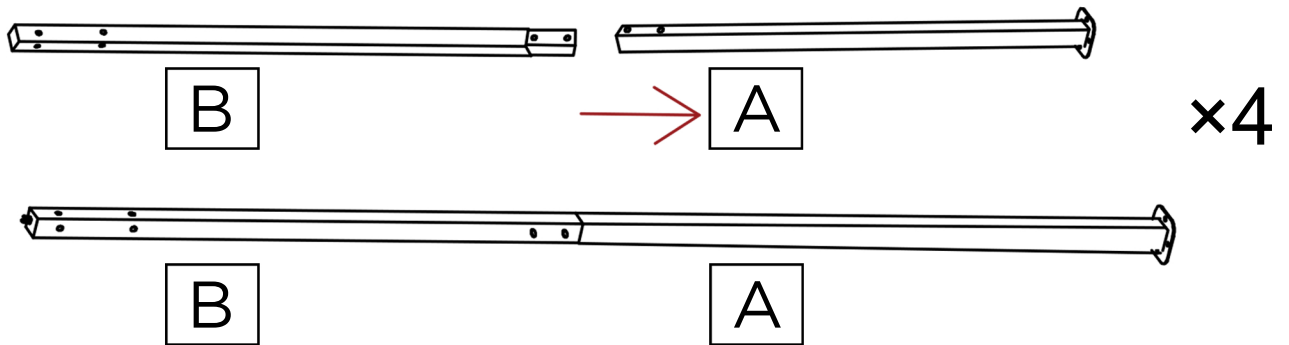


ASSEMBLY TIPS

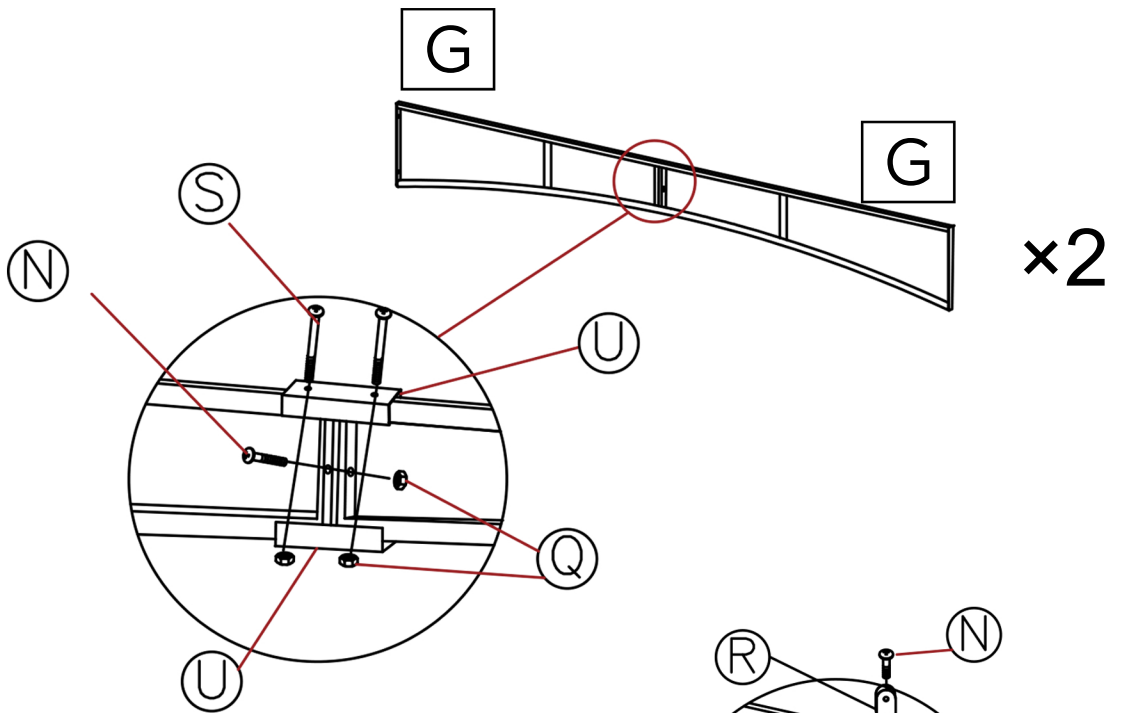
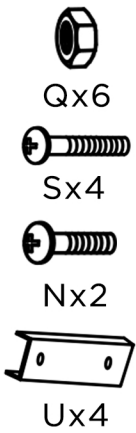
- ① Please make sure all screws are used correctly.
- ② When every part is ok, you can tighten all screws in this step.

PRODUCT ASSEMBLY

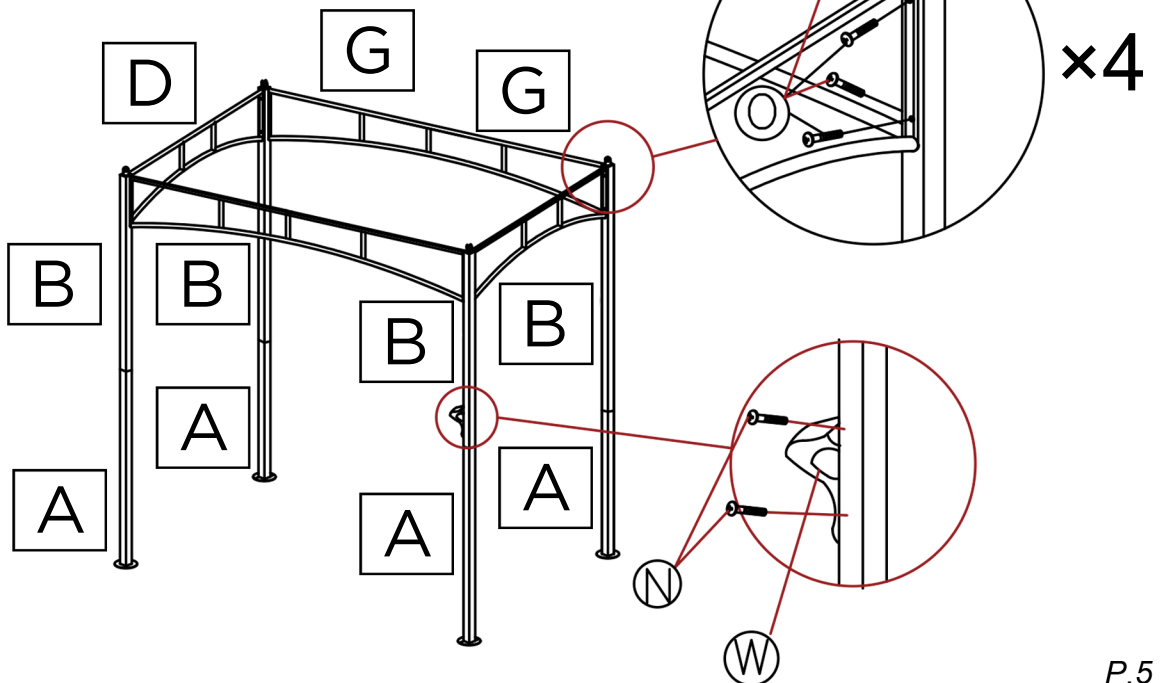
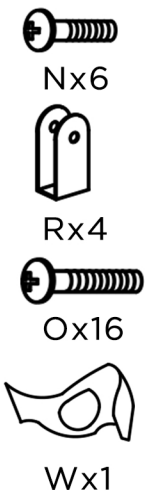
STEP 1



STEP 2

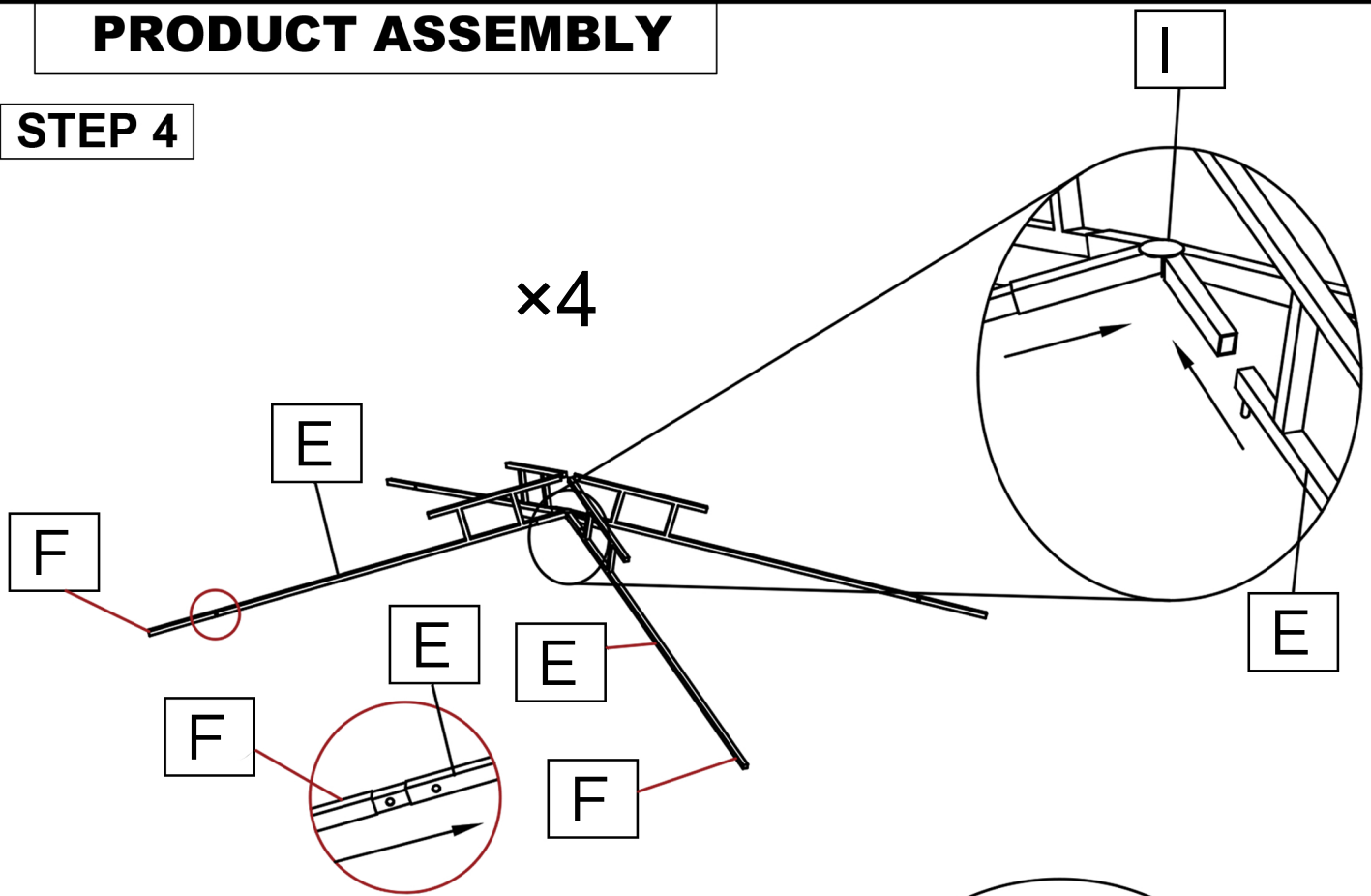


STEP 3







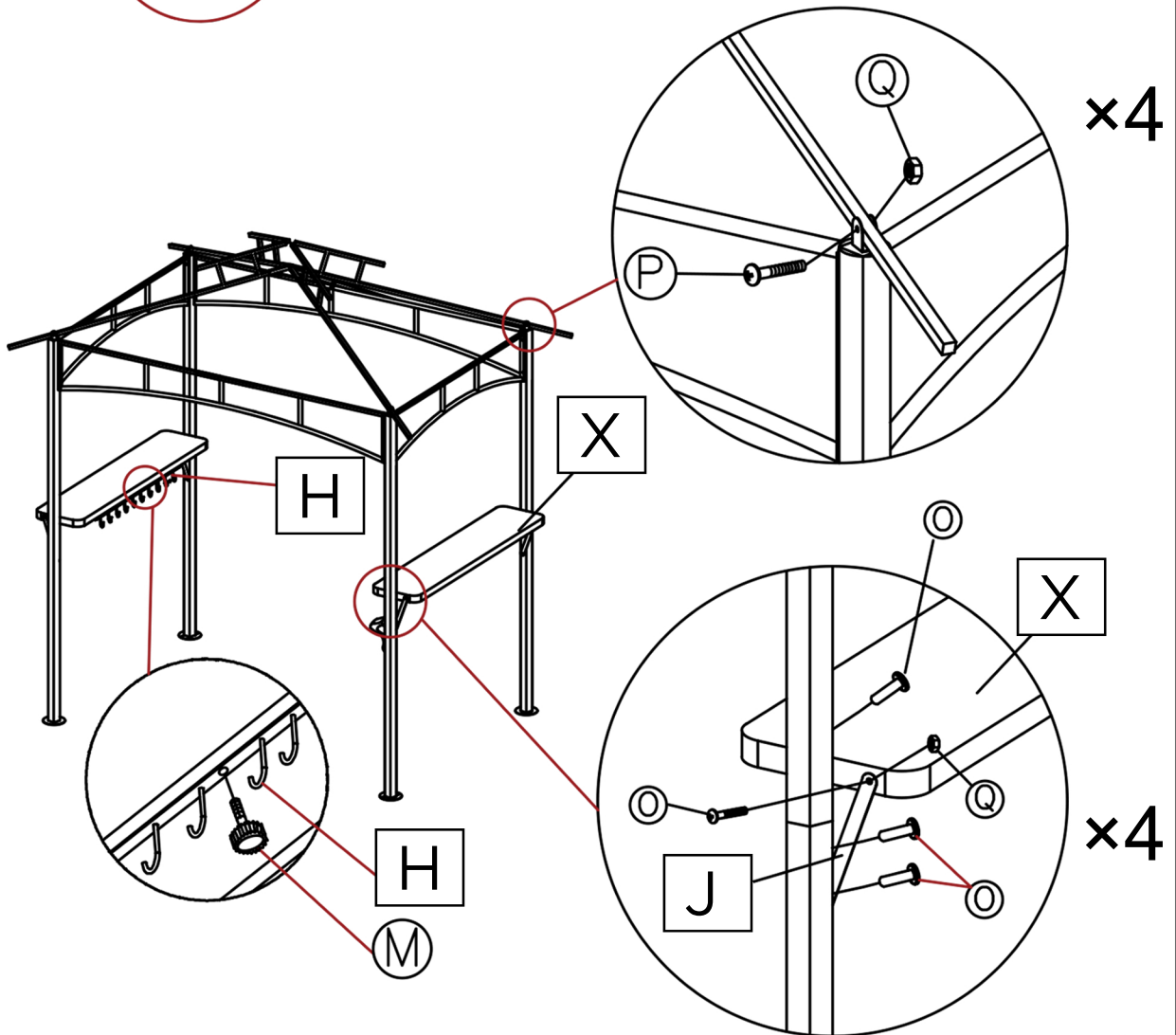
PRODUCT ASSEMBLY

STEP 4



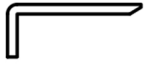
STEP 5

-  Qx8
-  Px4
-  Ox16
-  Mx3



PRODUCT ASSEMBLY

STEP 6



Vx8

