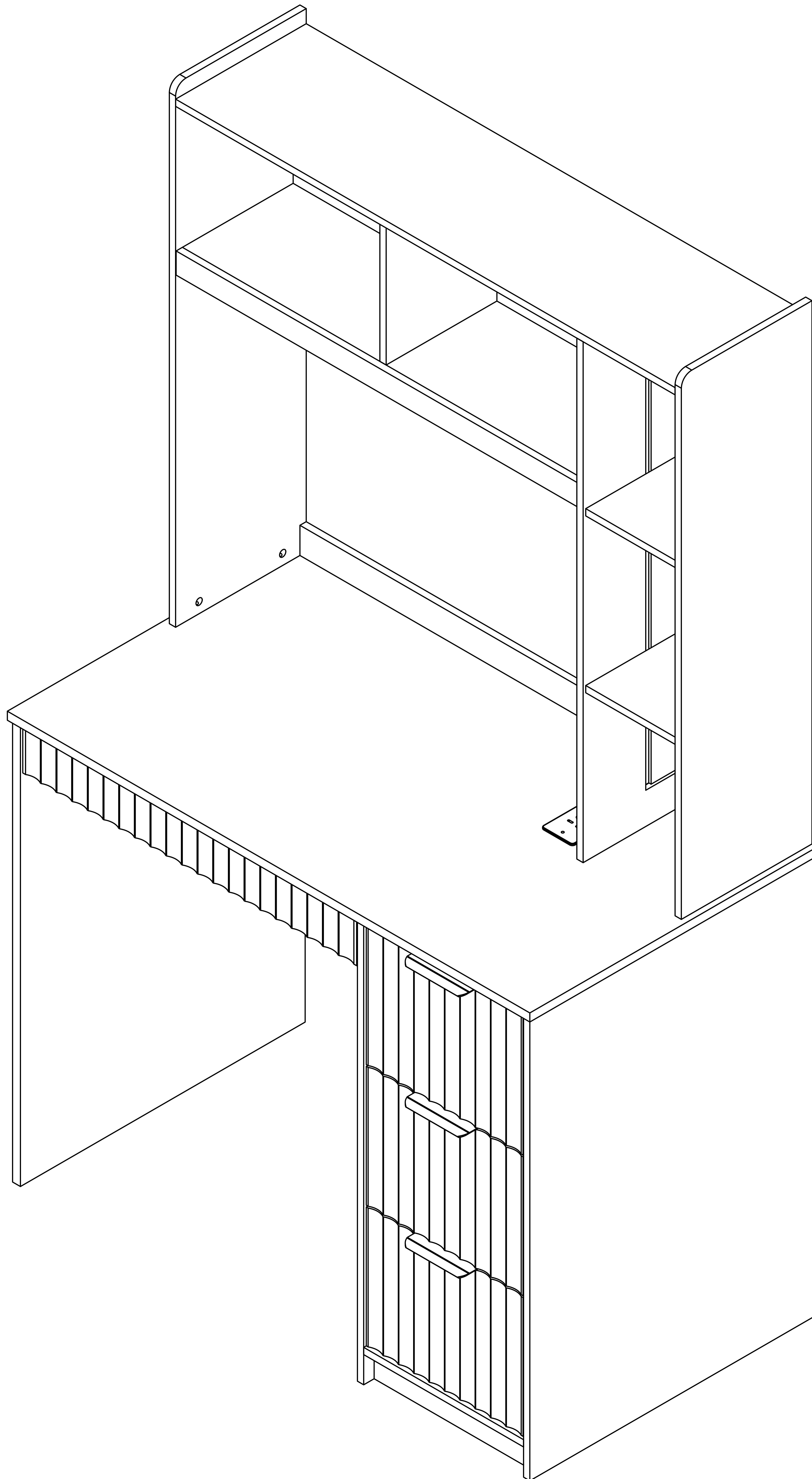
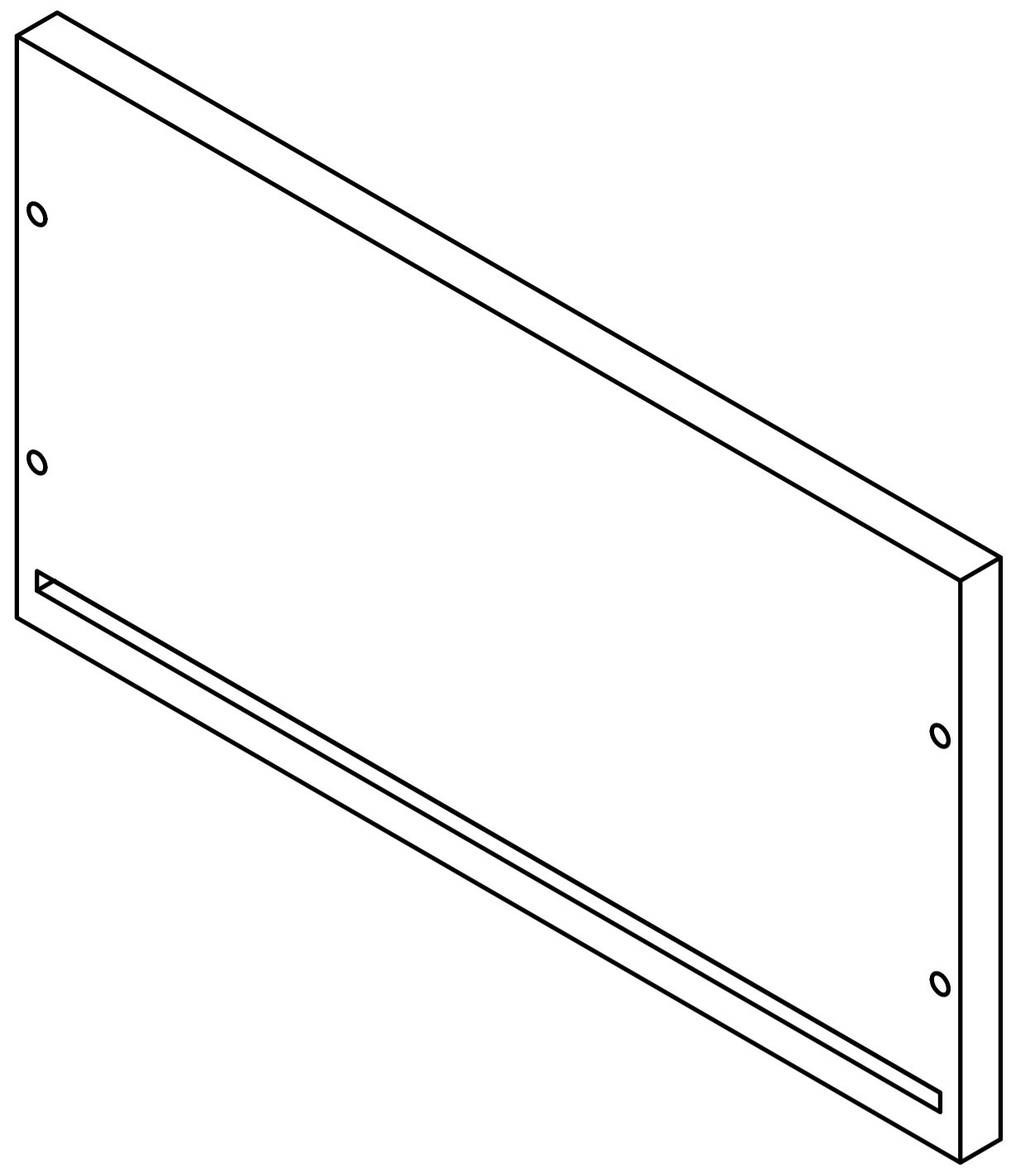
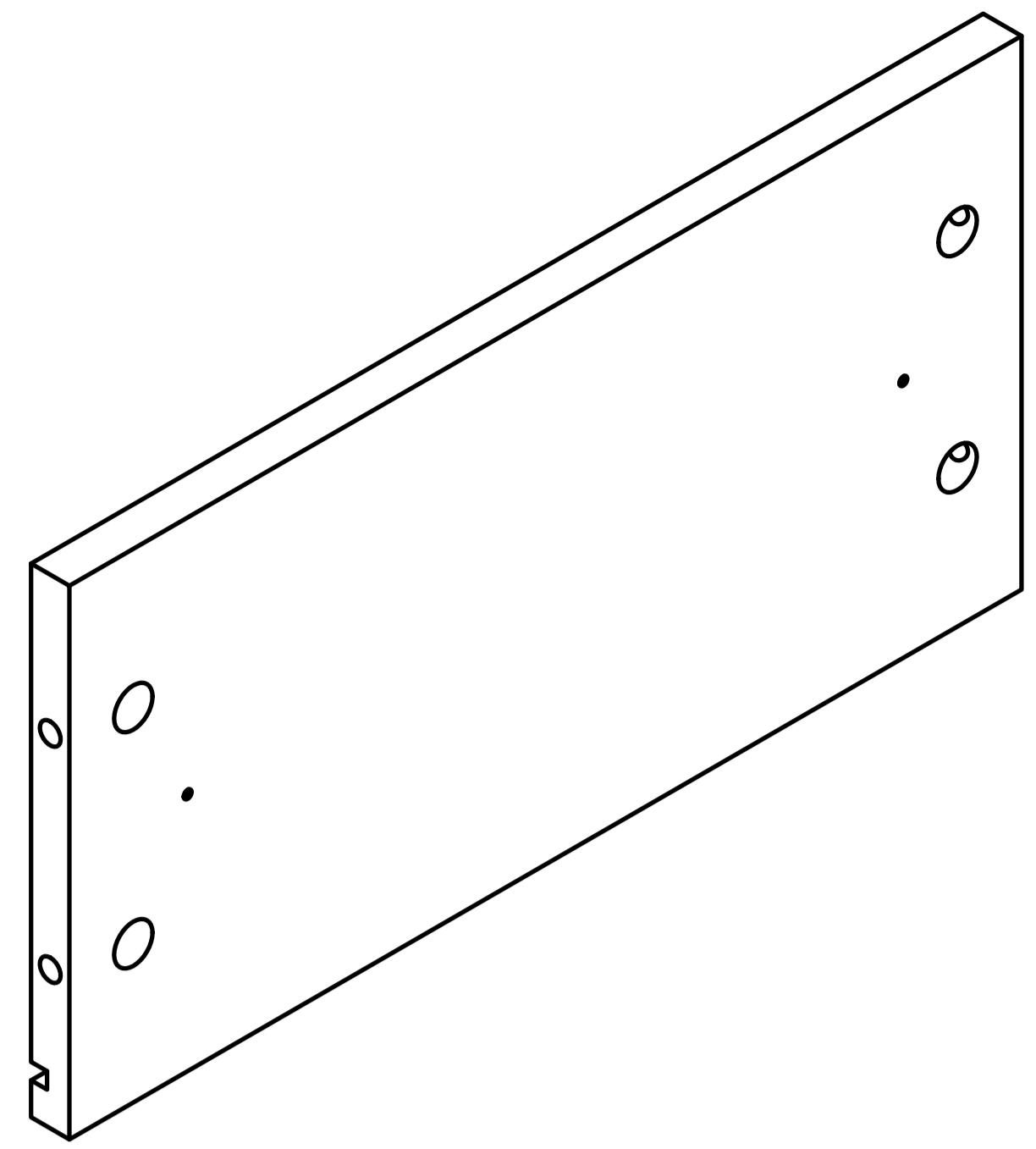


Product Installation Instructions

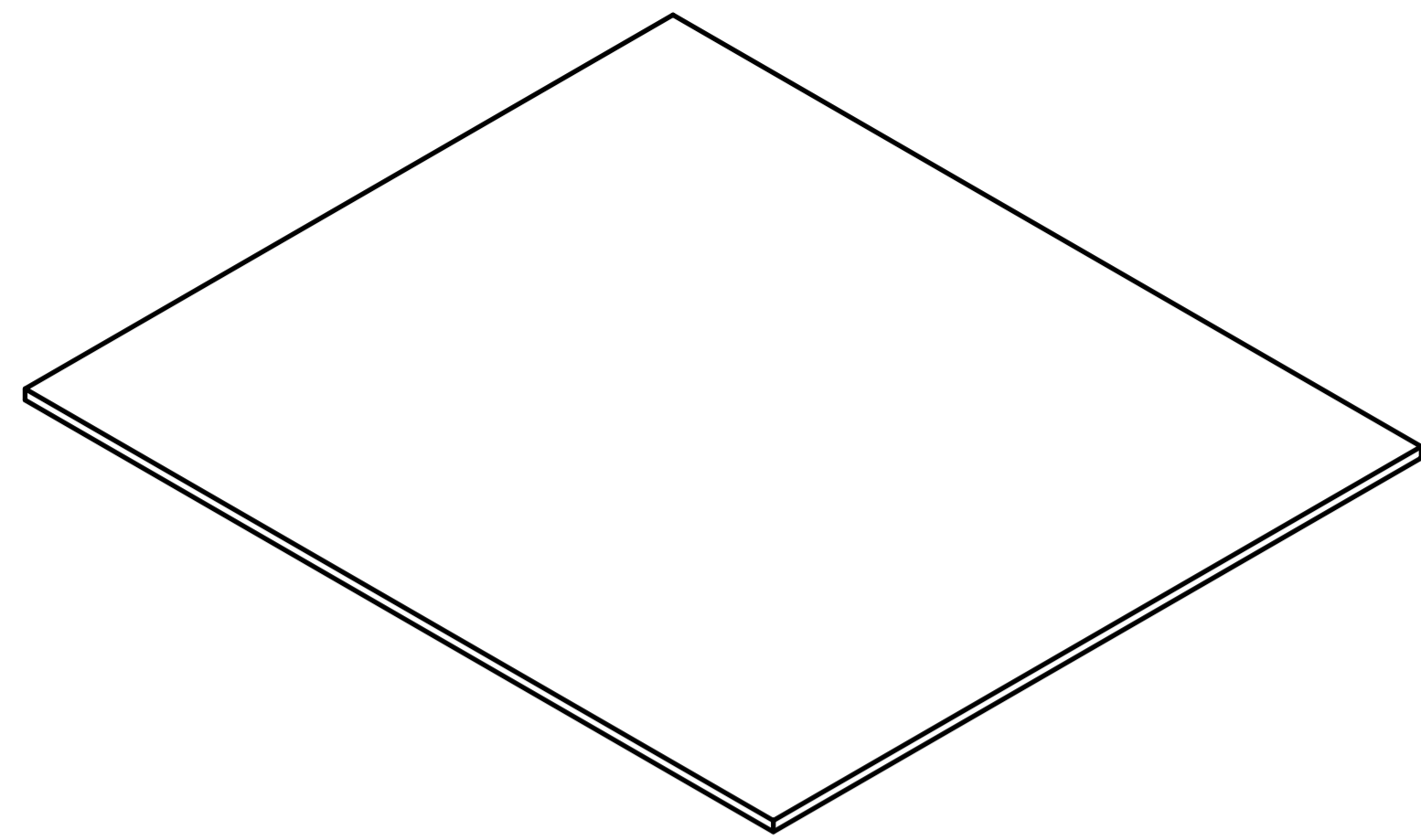




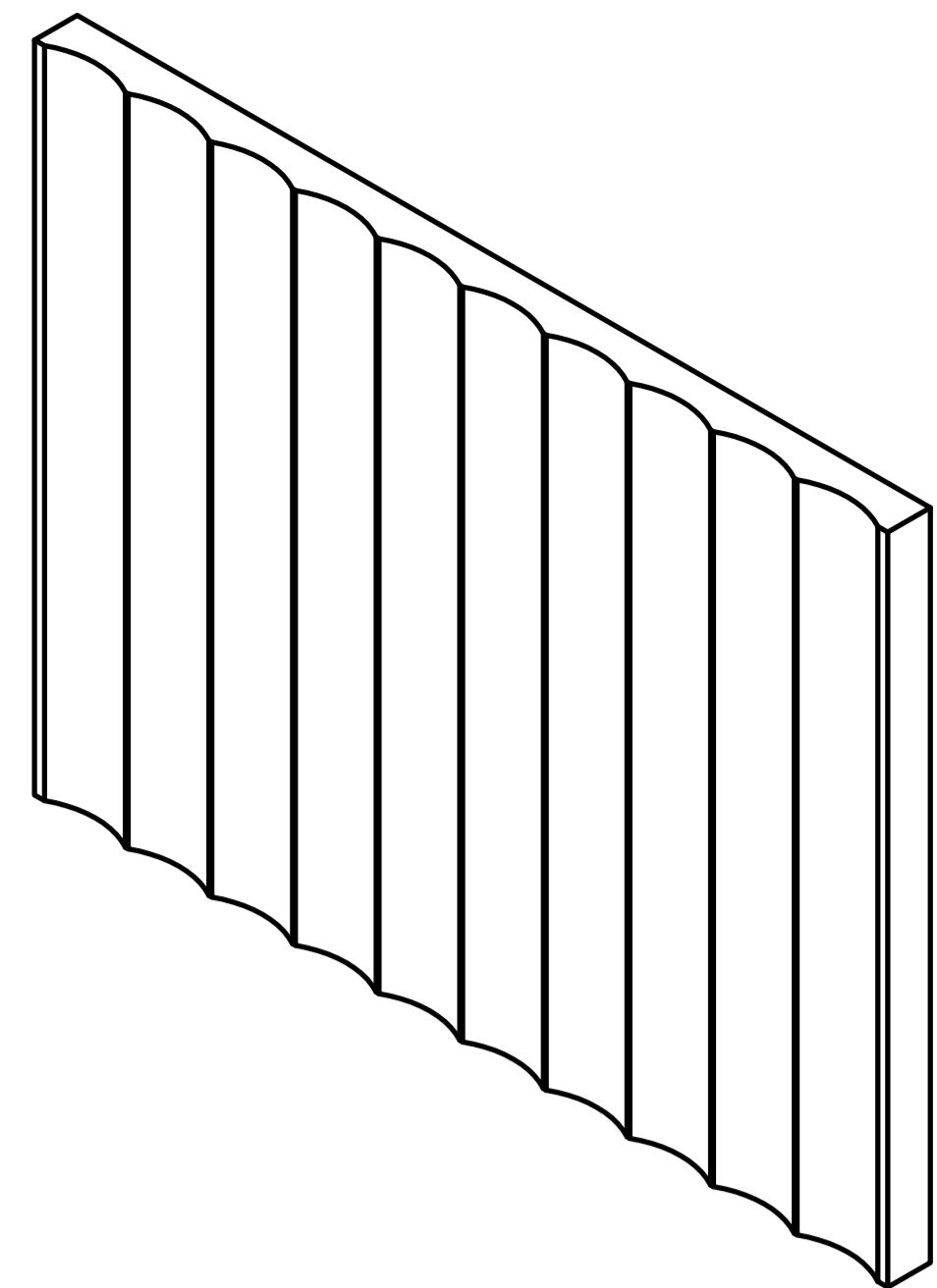
1x3



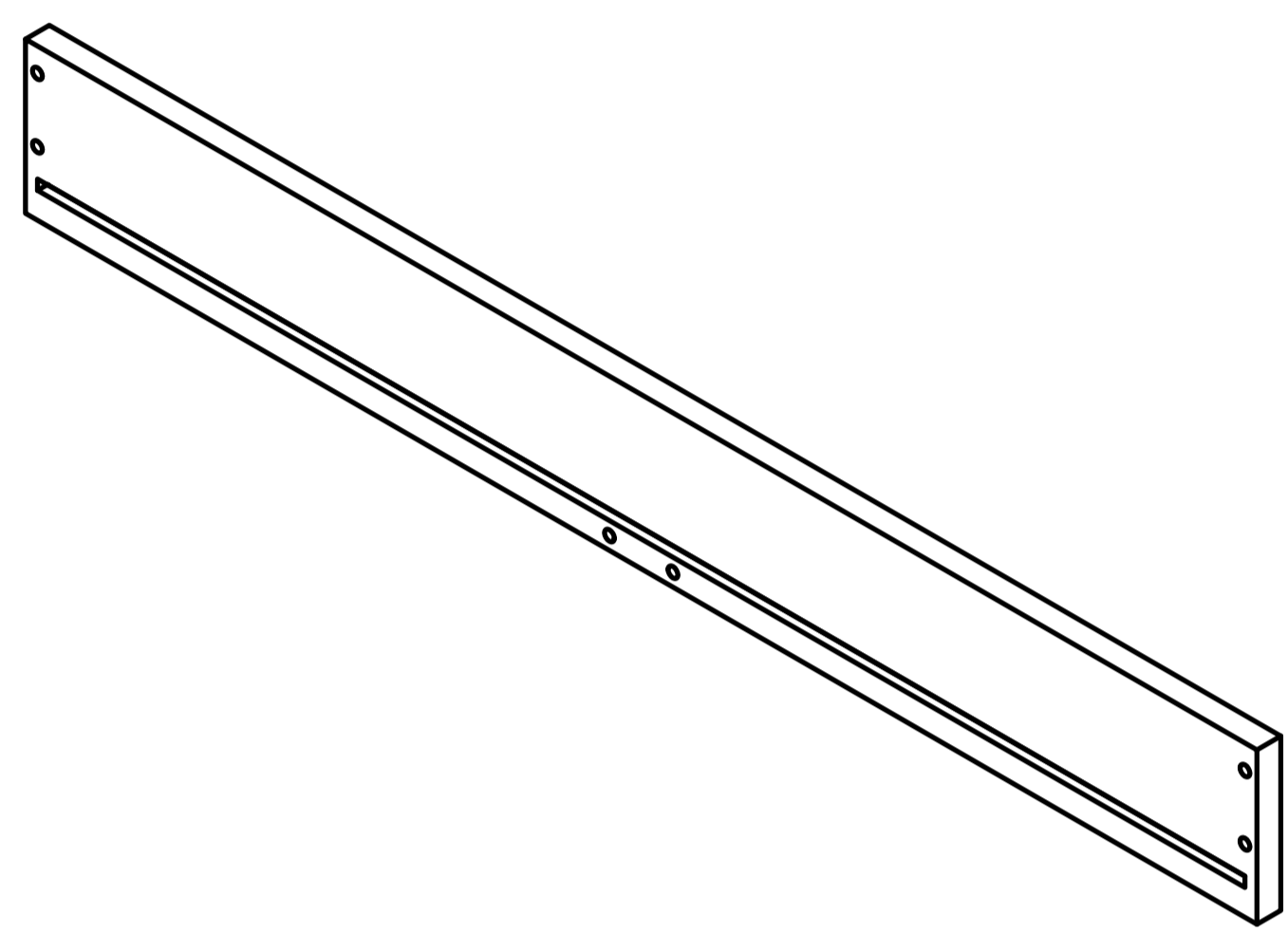
2x6



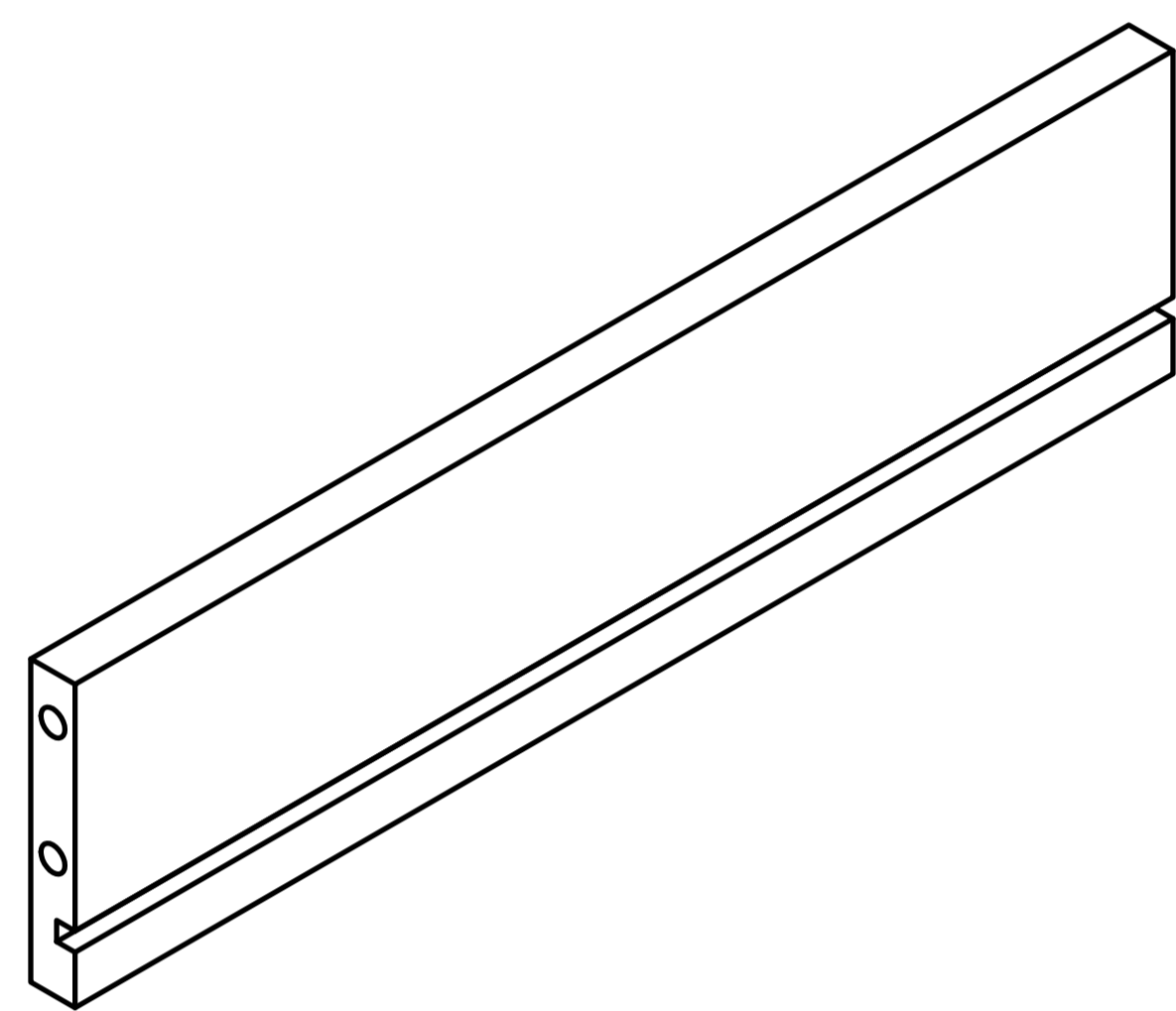
3x3



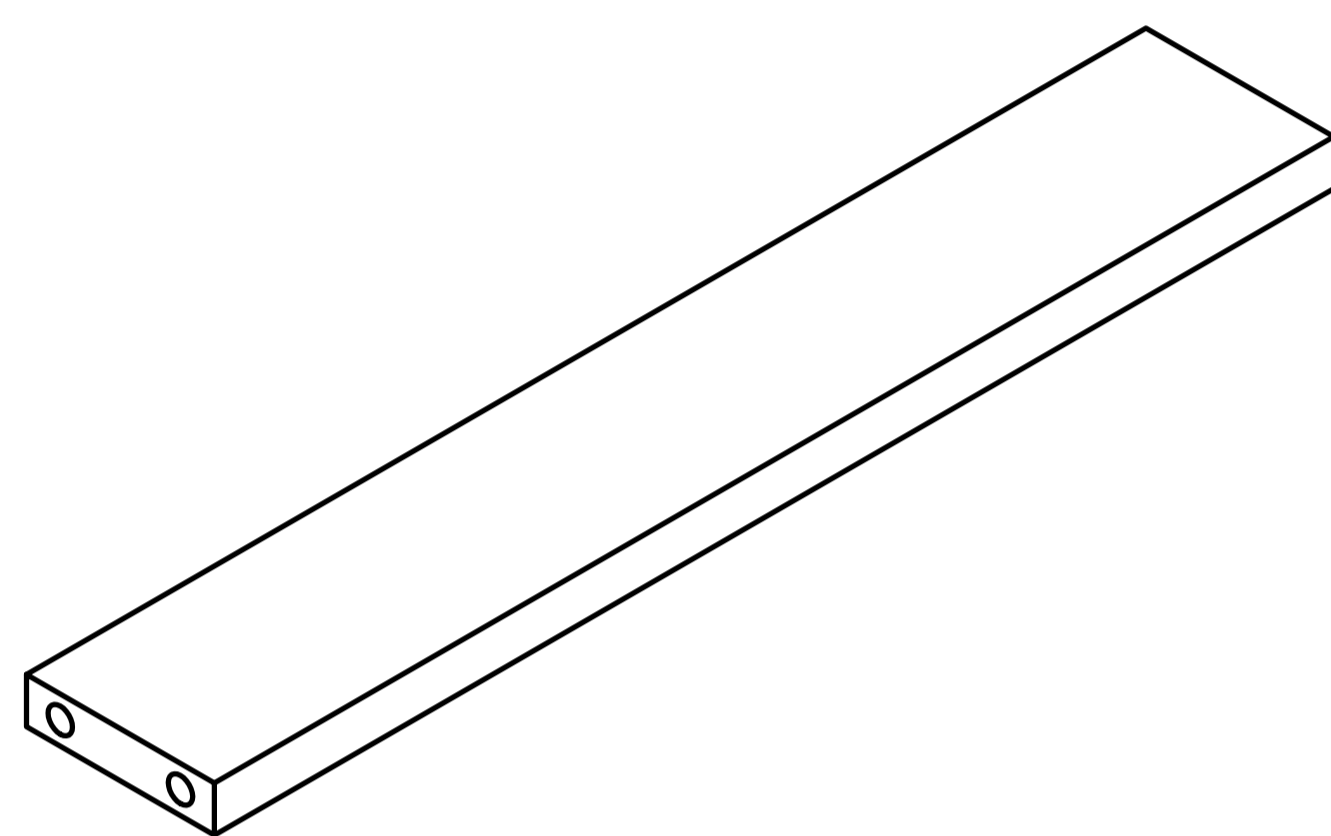
4x3



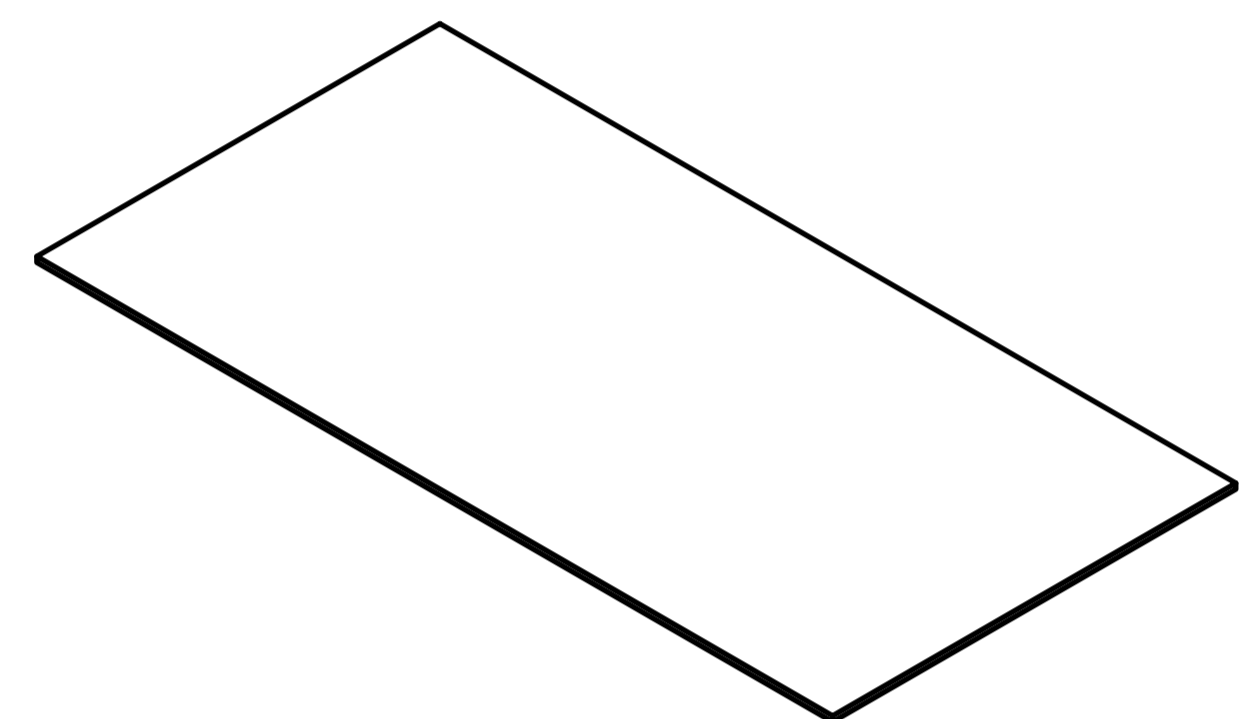
5x1



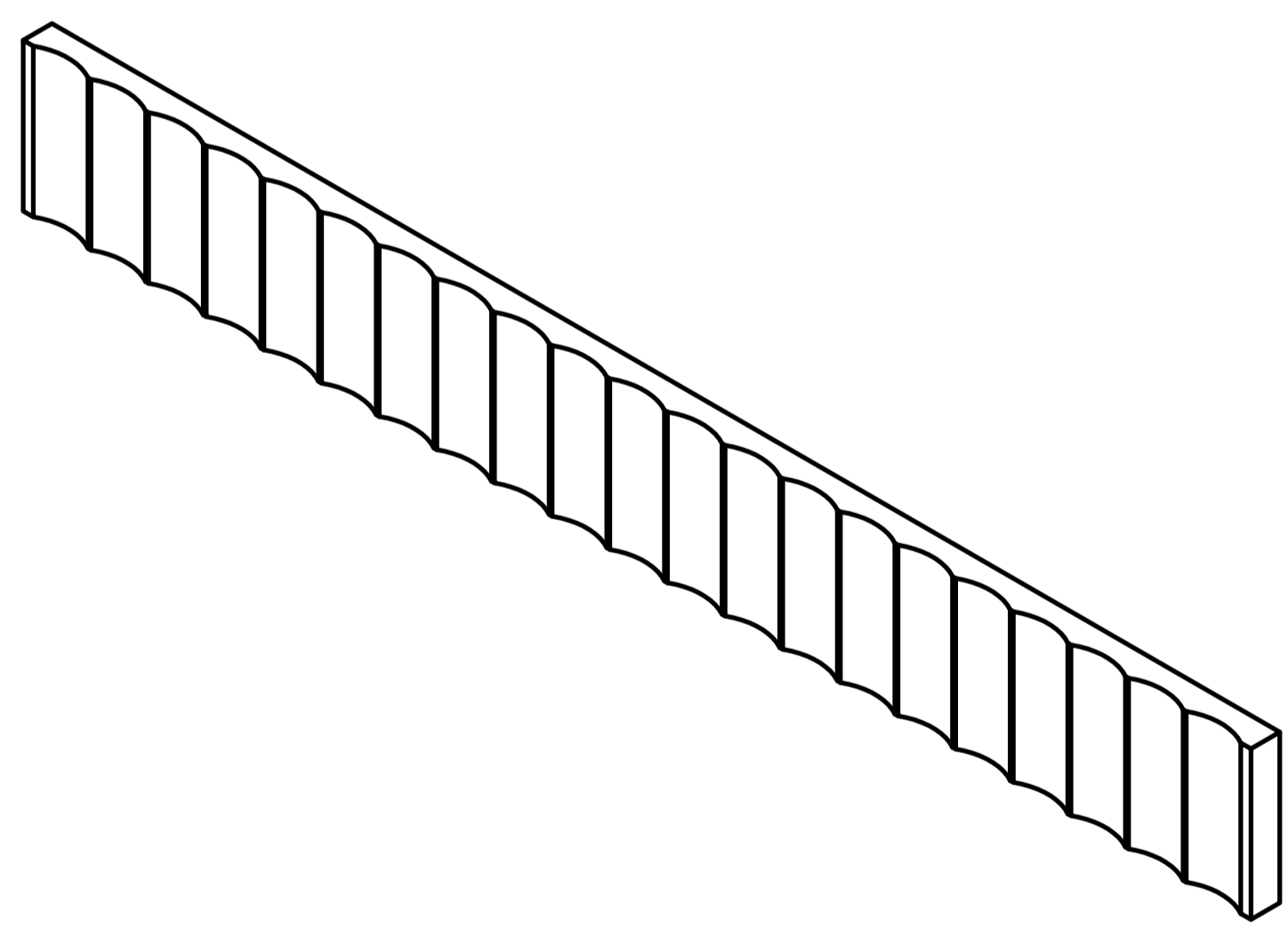
6x2



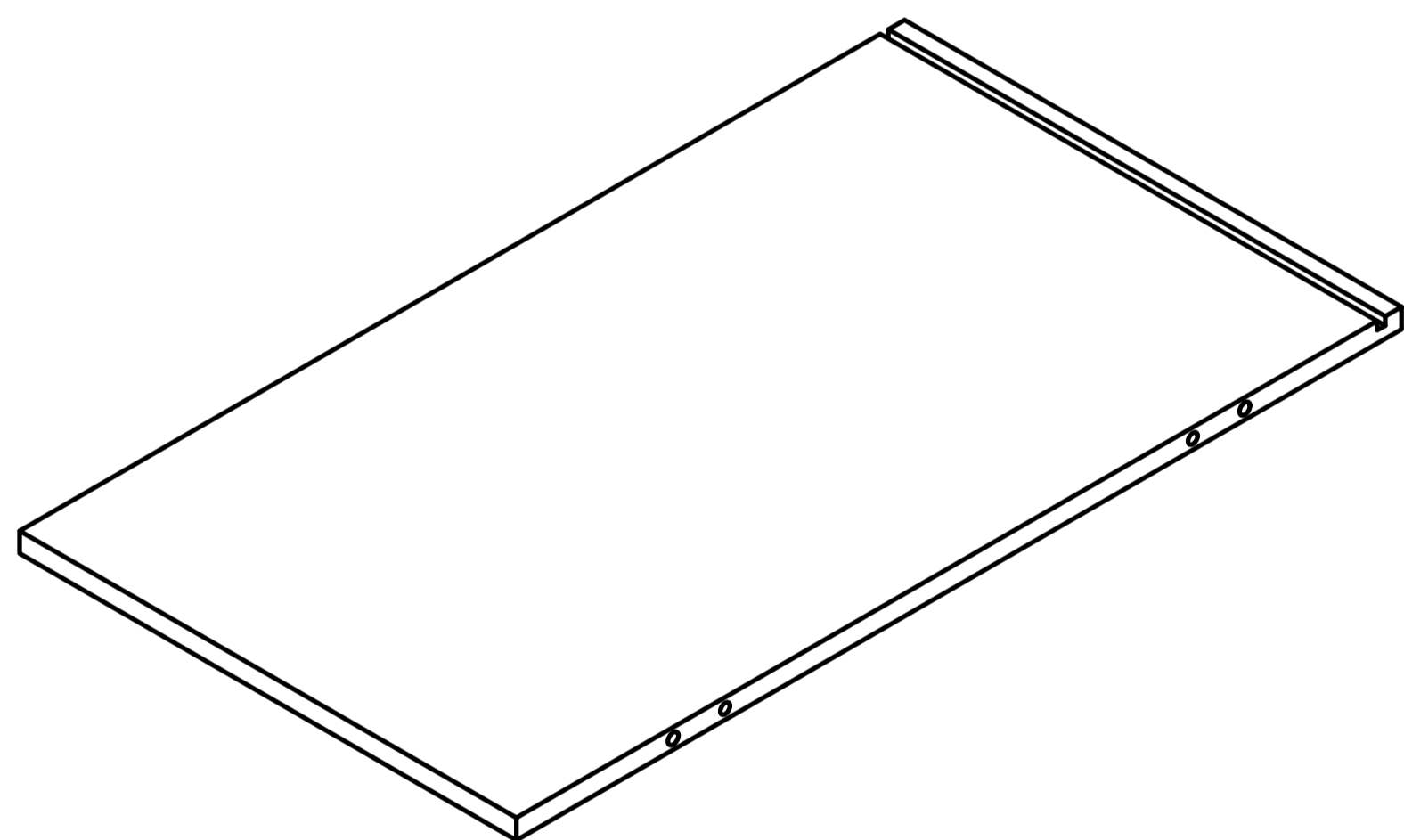
7x1



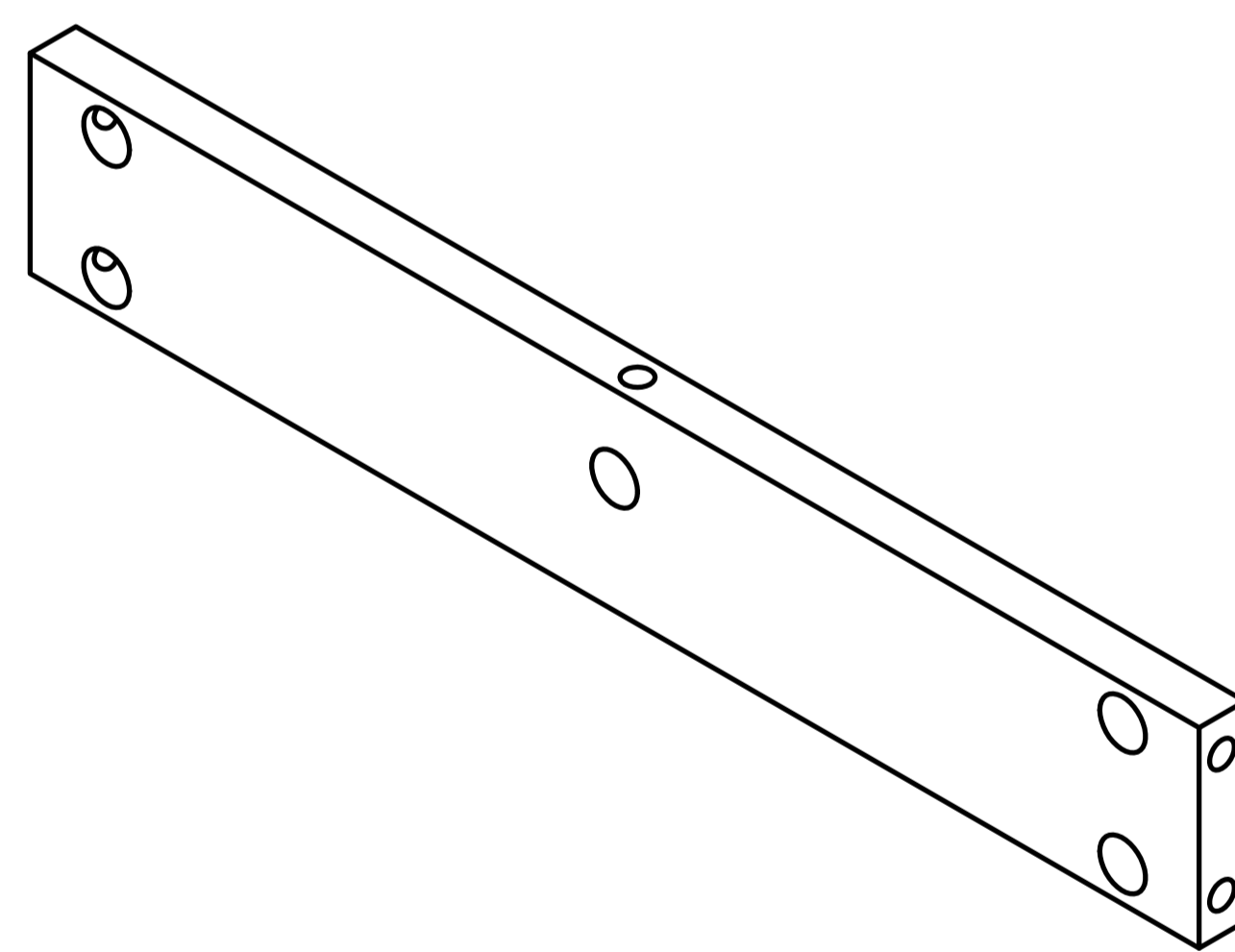
8x1



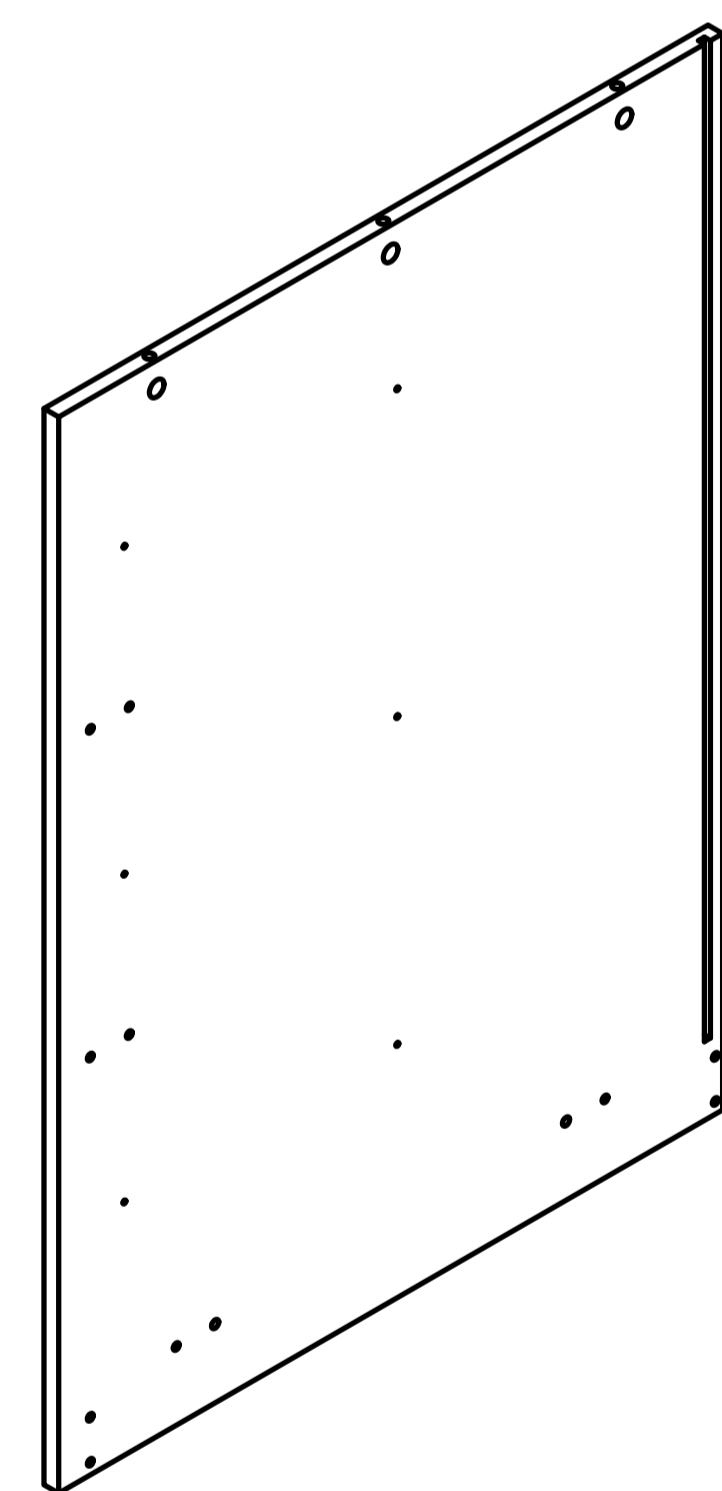
9x1



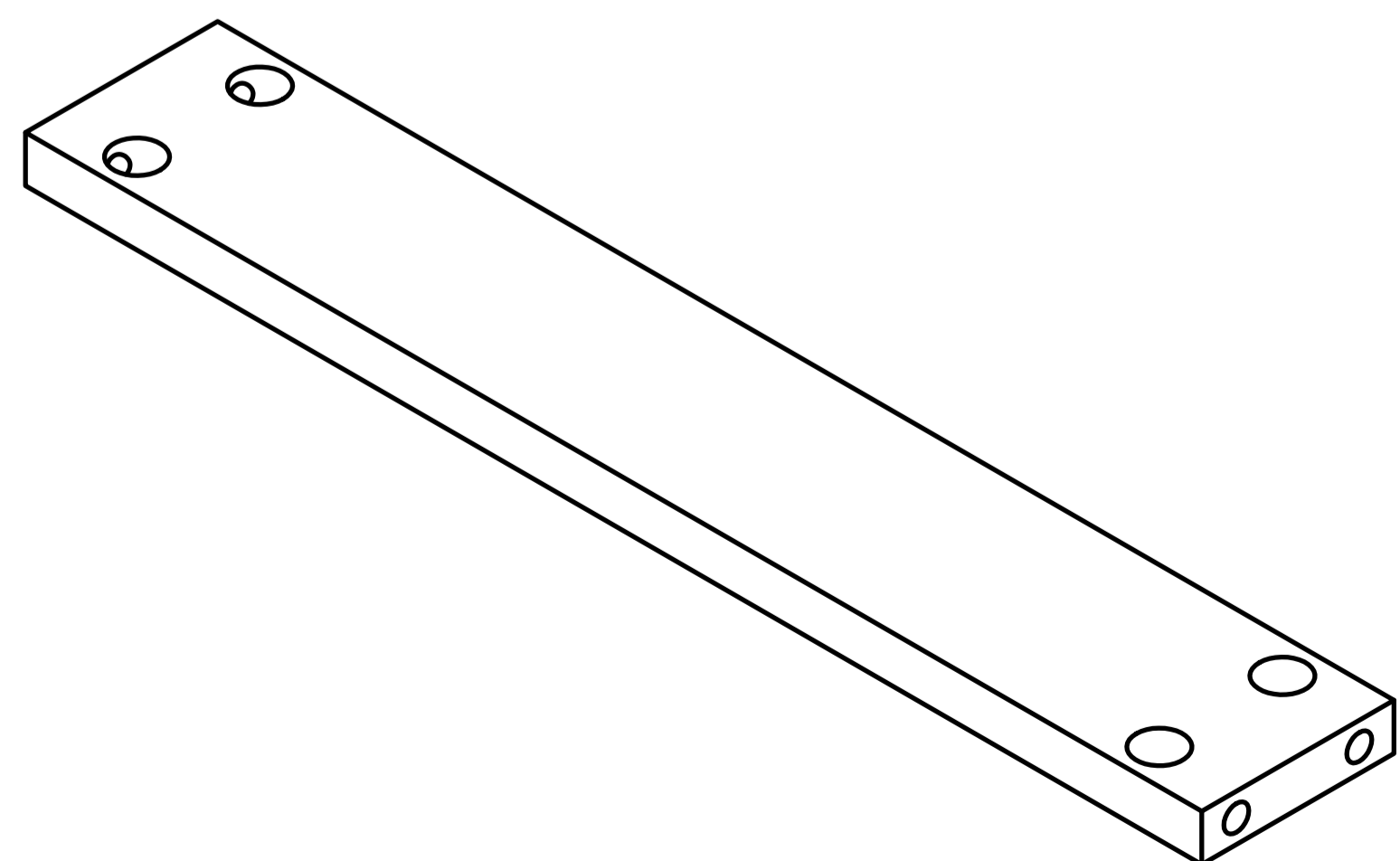
10x1



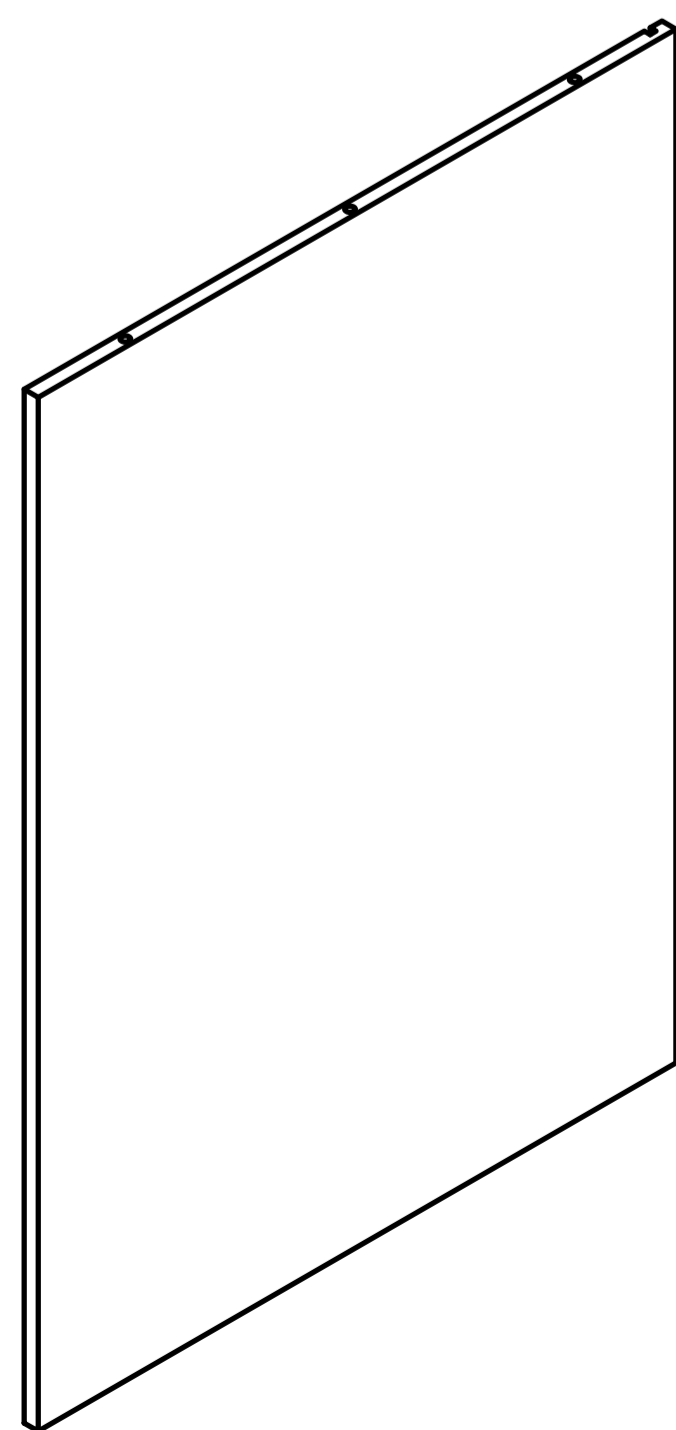
11x2



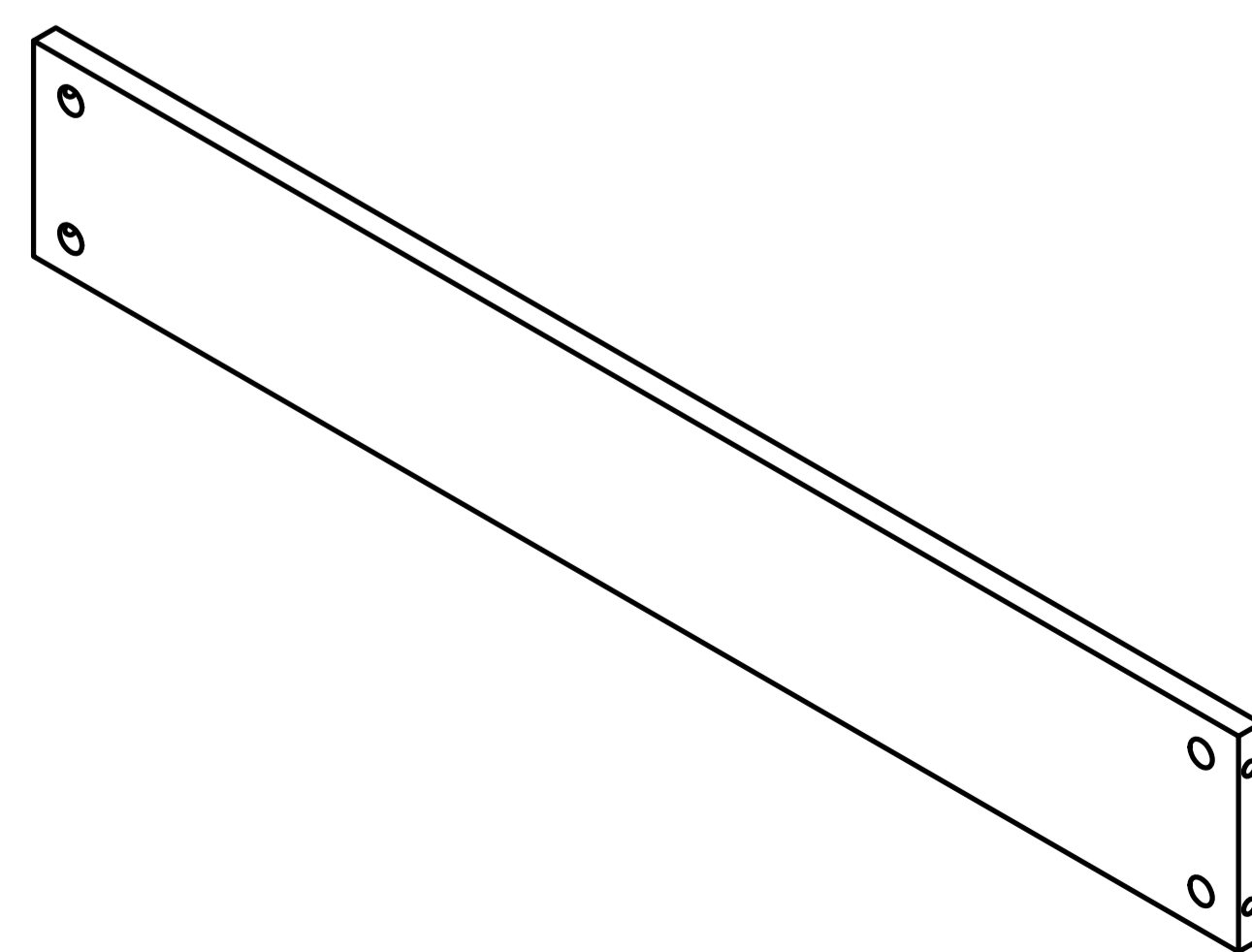
12x1



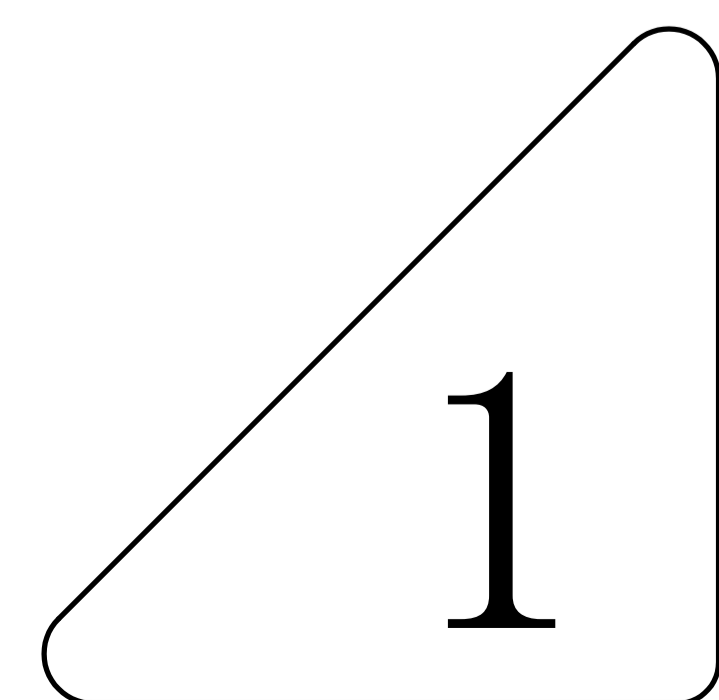
13x2



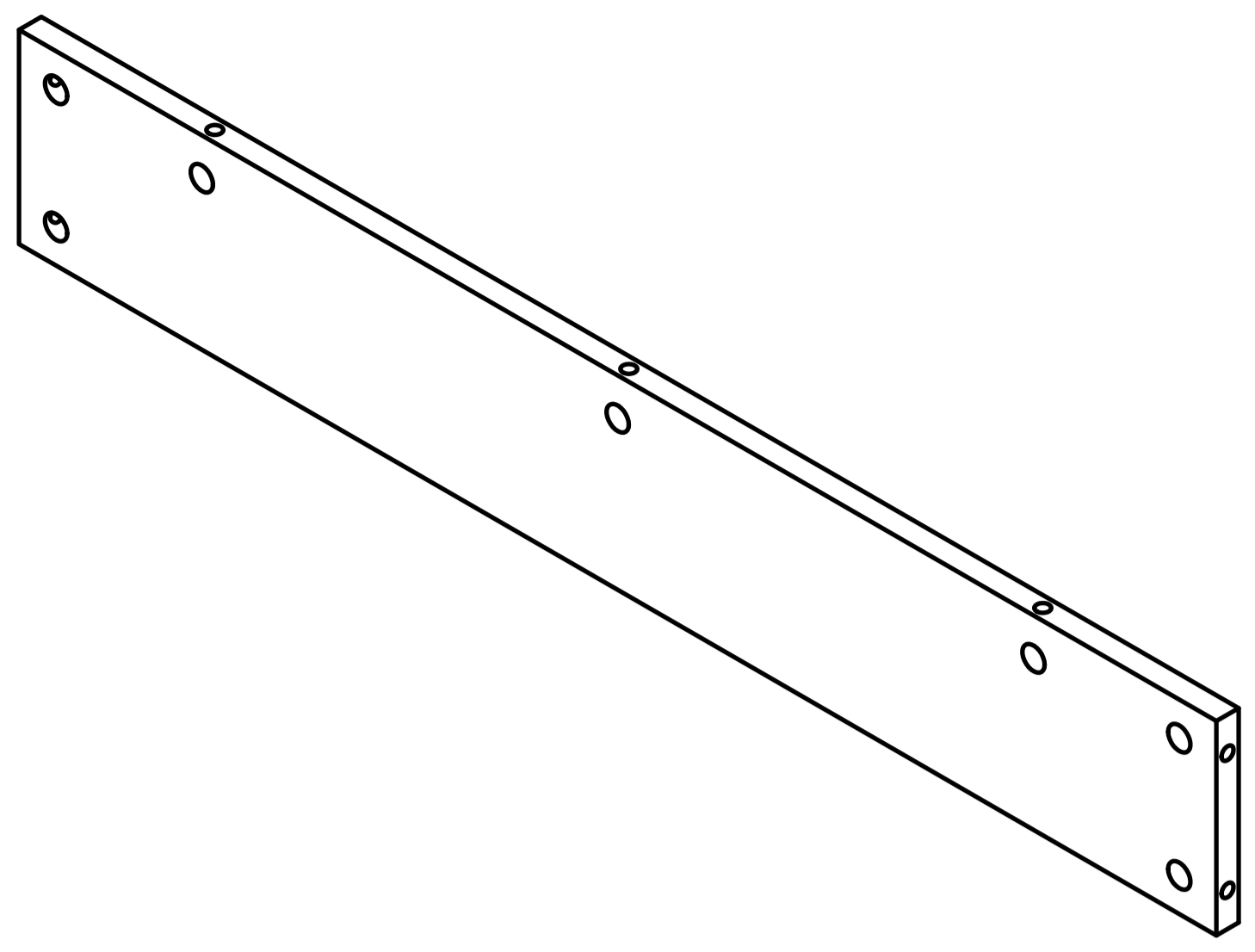
14x1



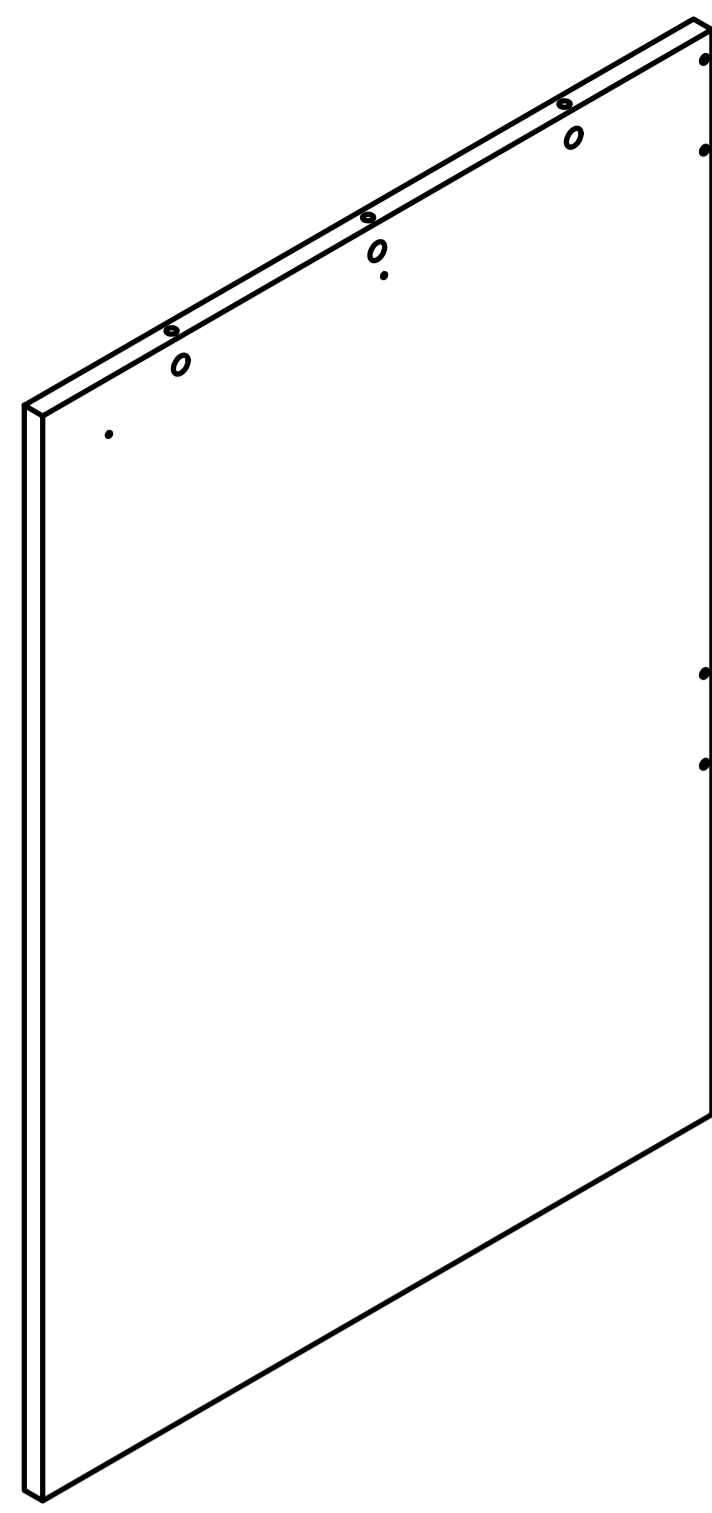
15x1



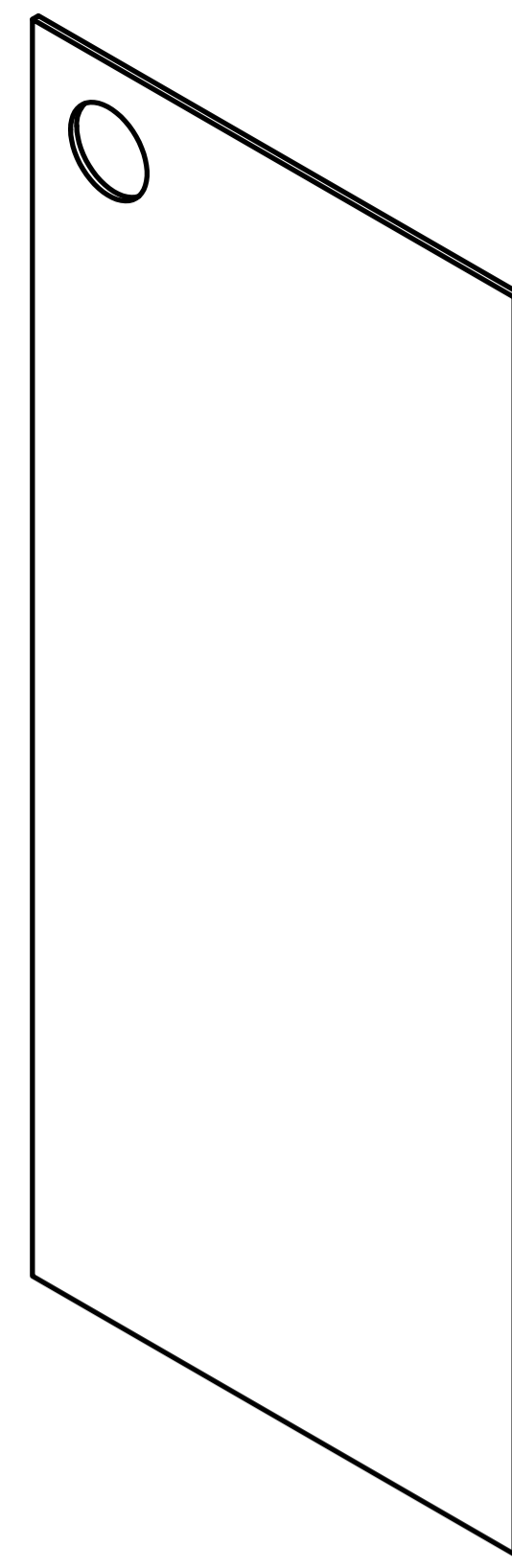
1



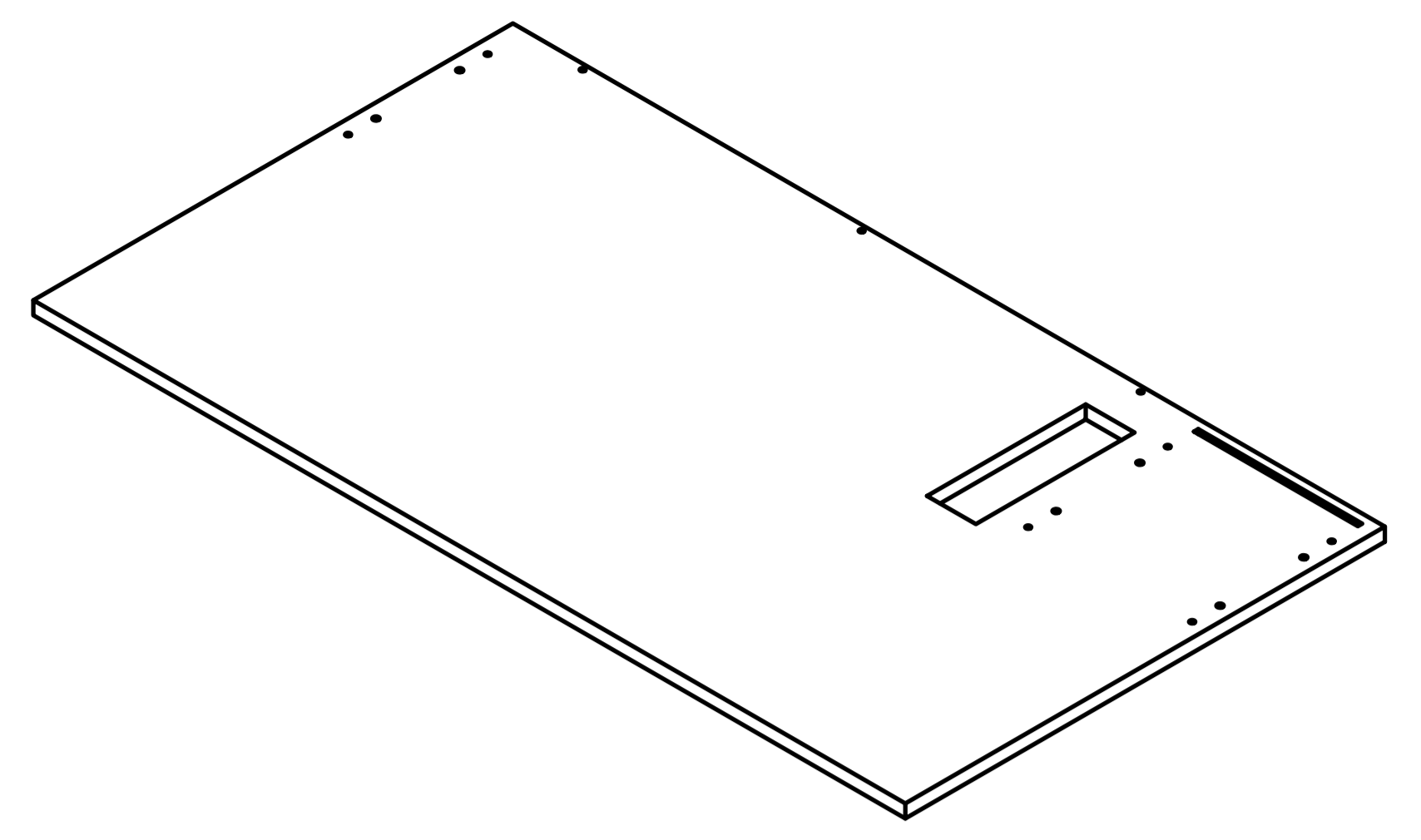
16_{x1}



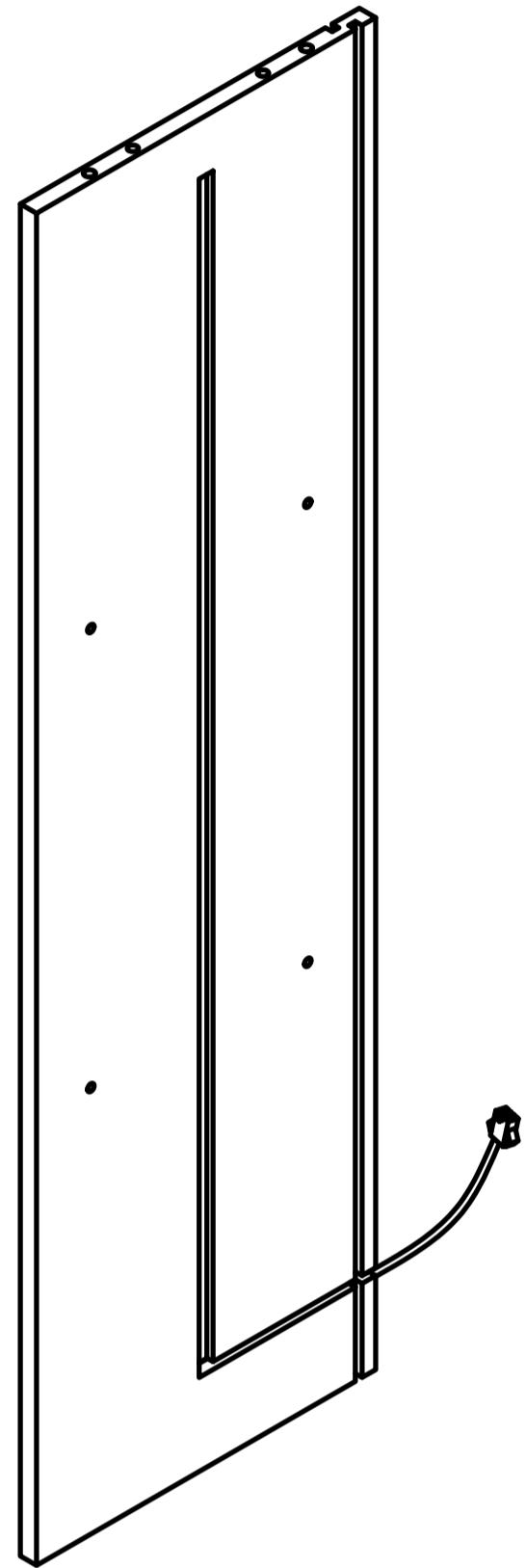
17_{x1}



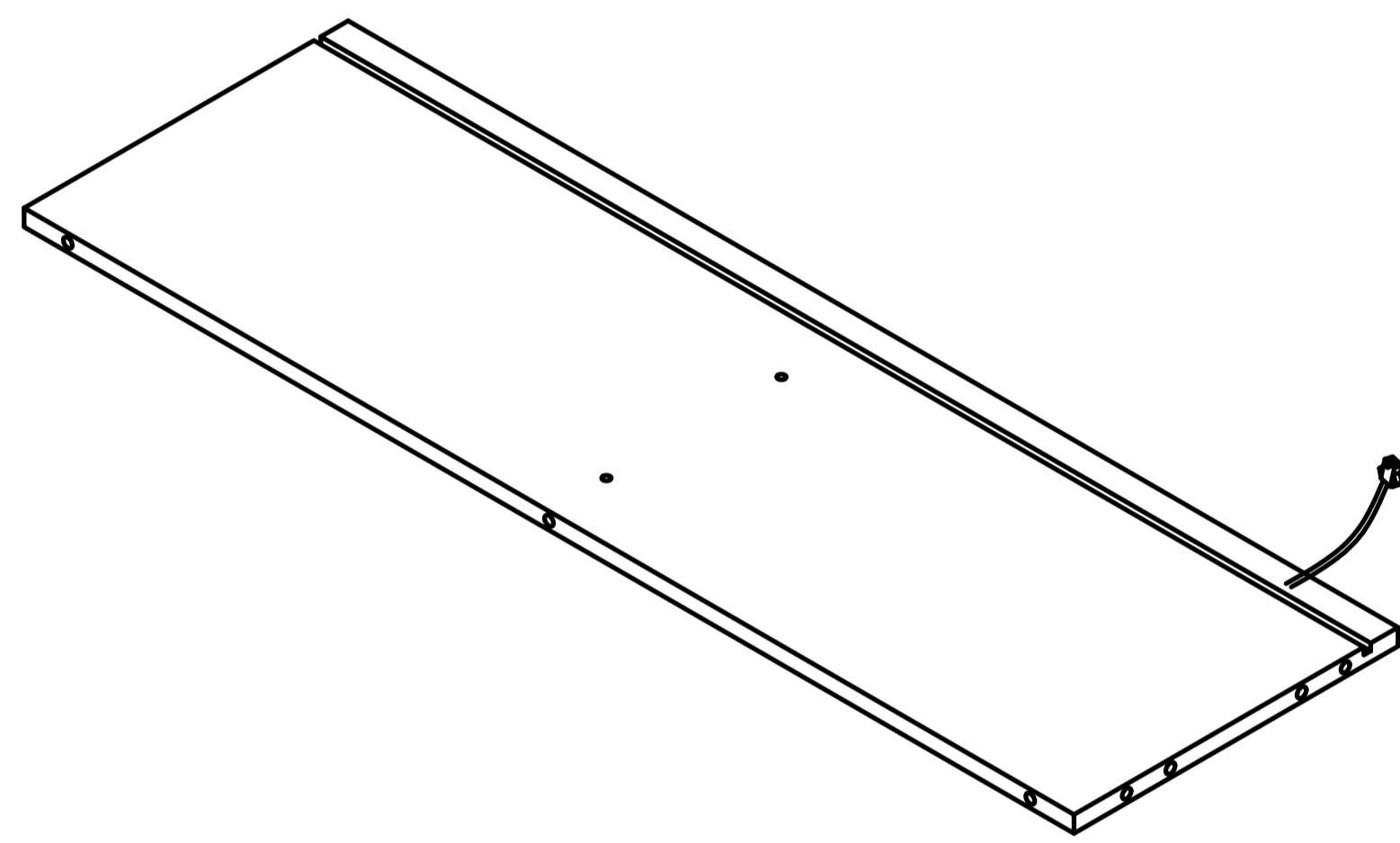
18_{x1}



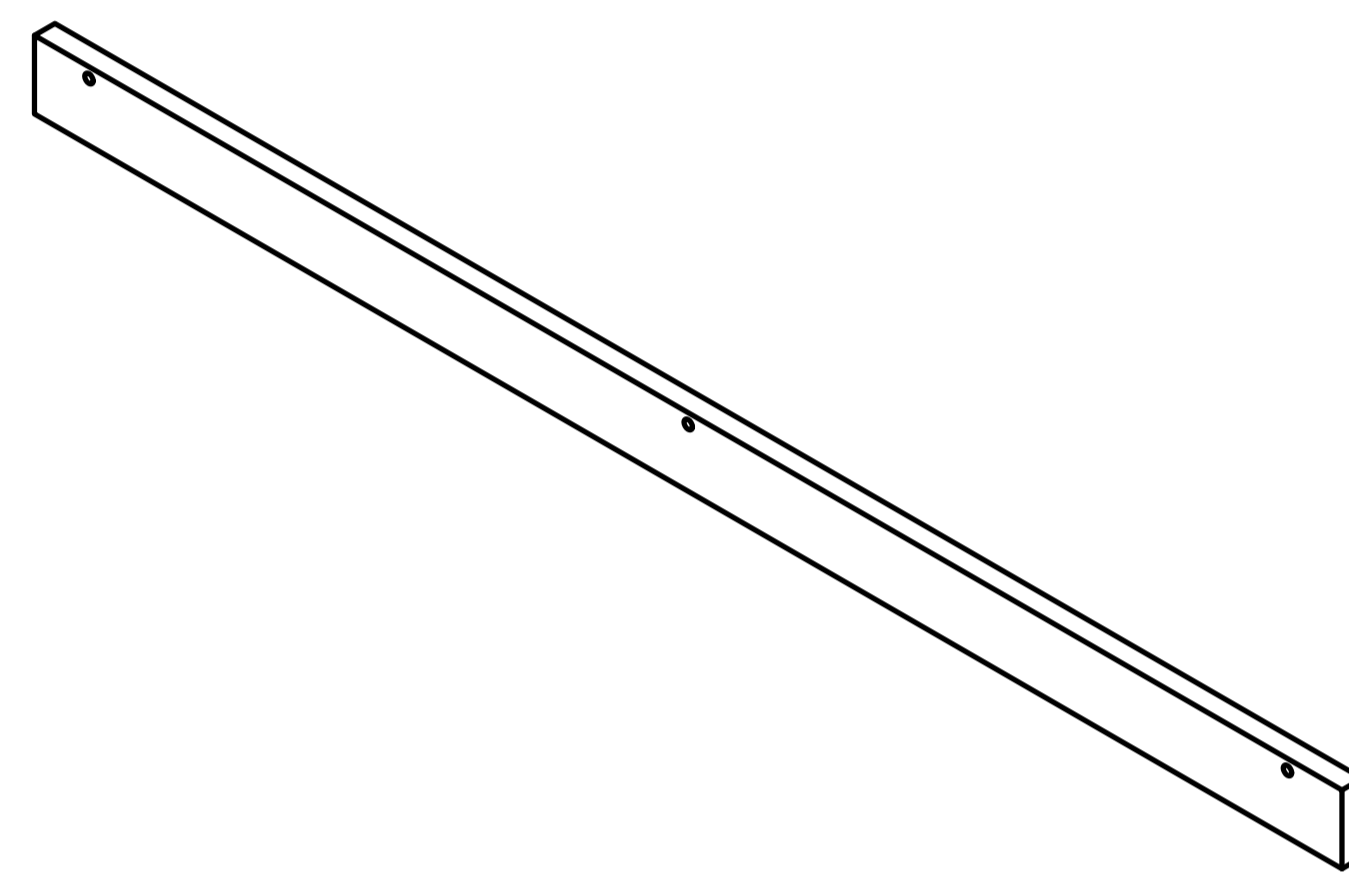
19_{x1}



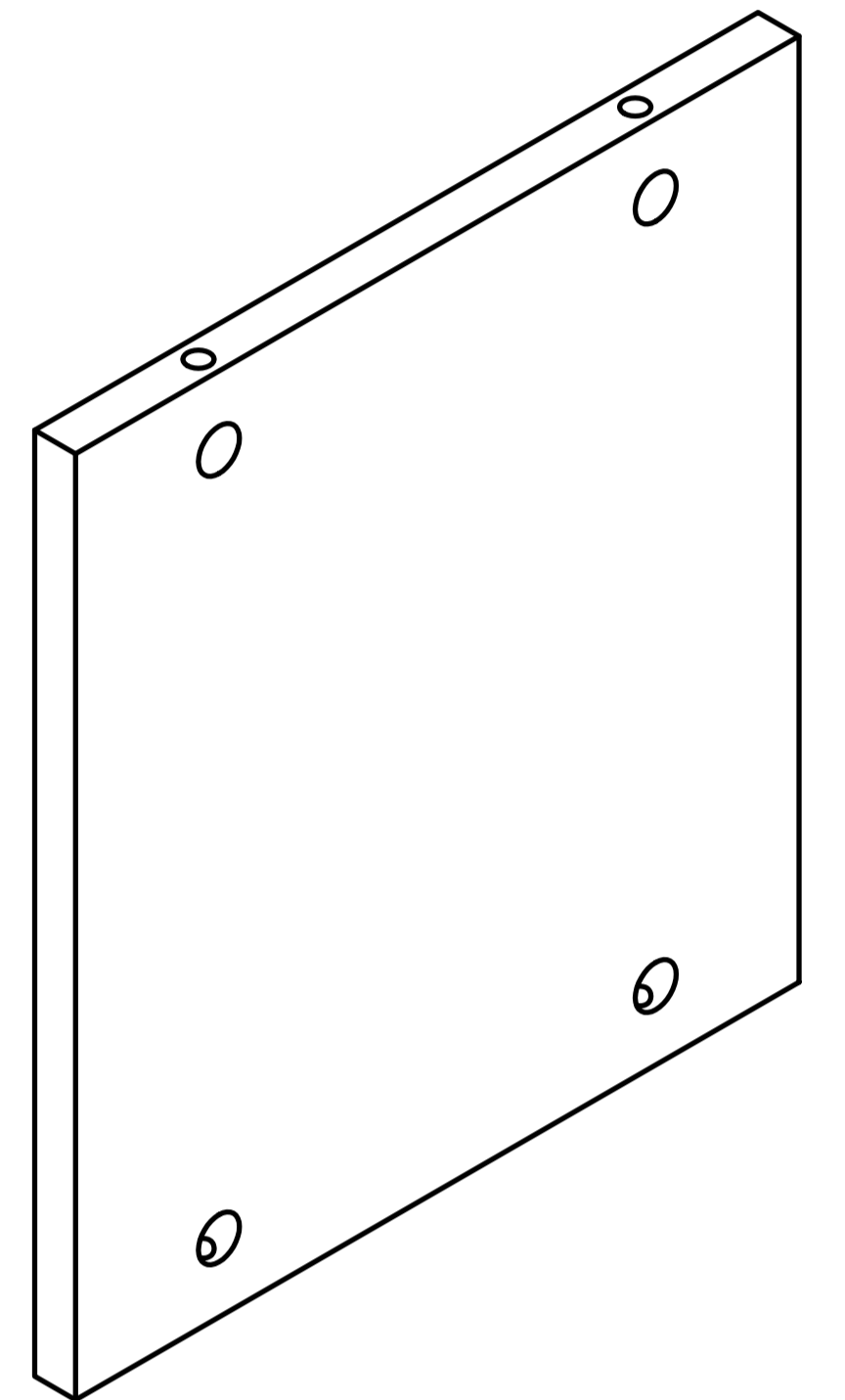
20_{x1}



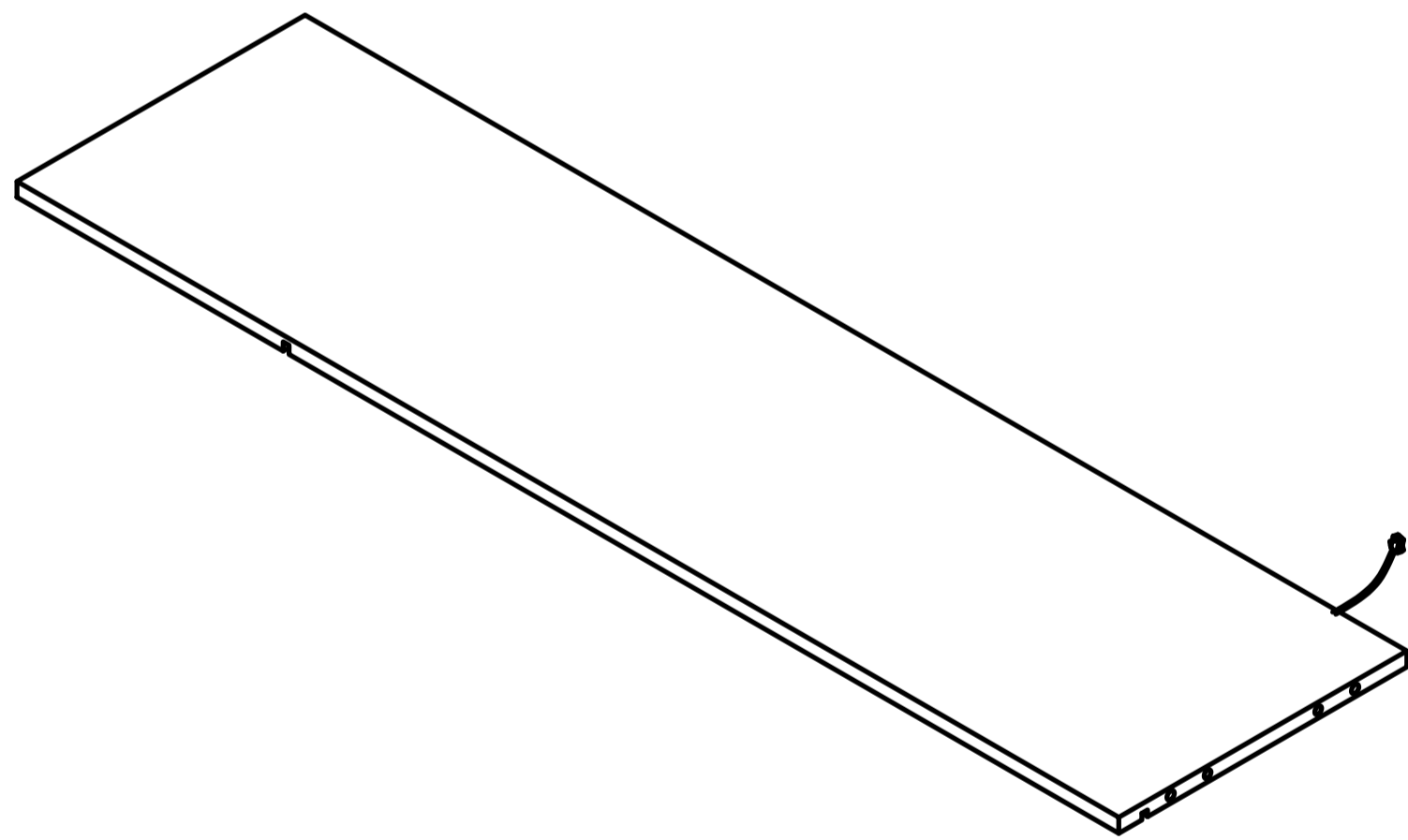
21_{x1}



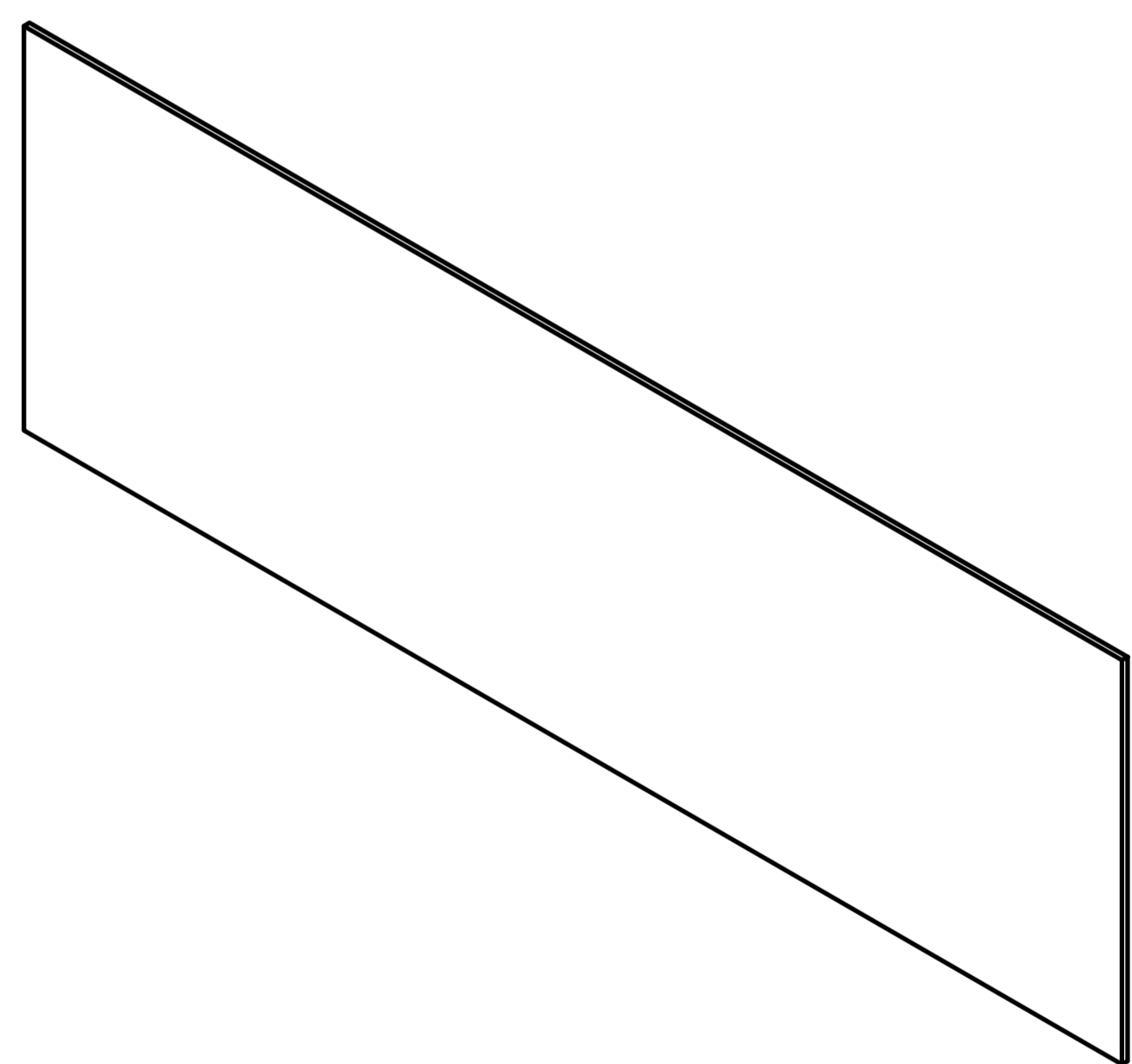
22_{x1}



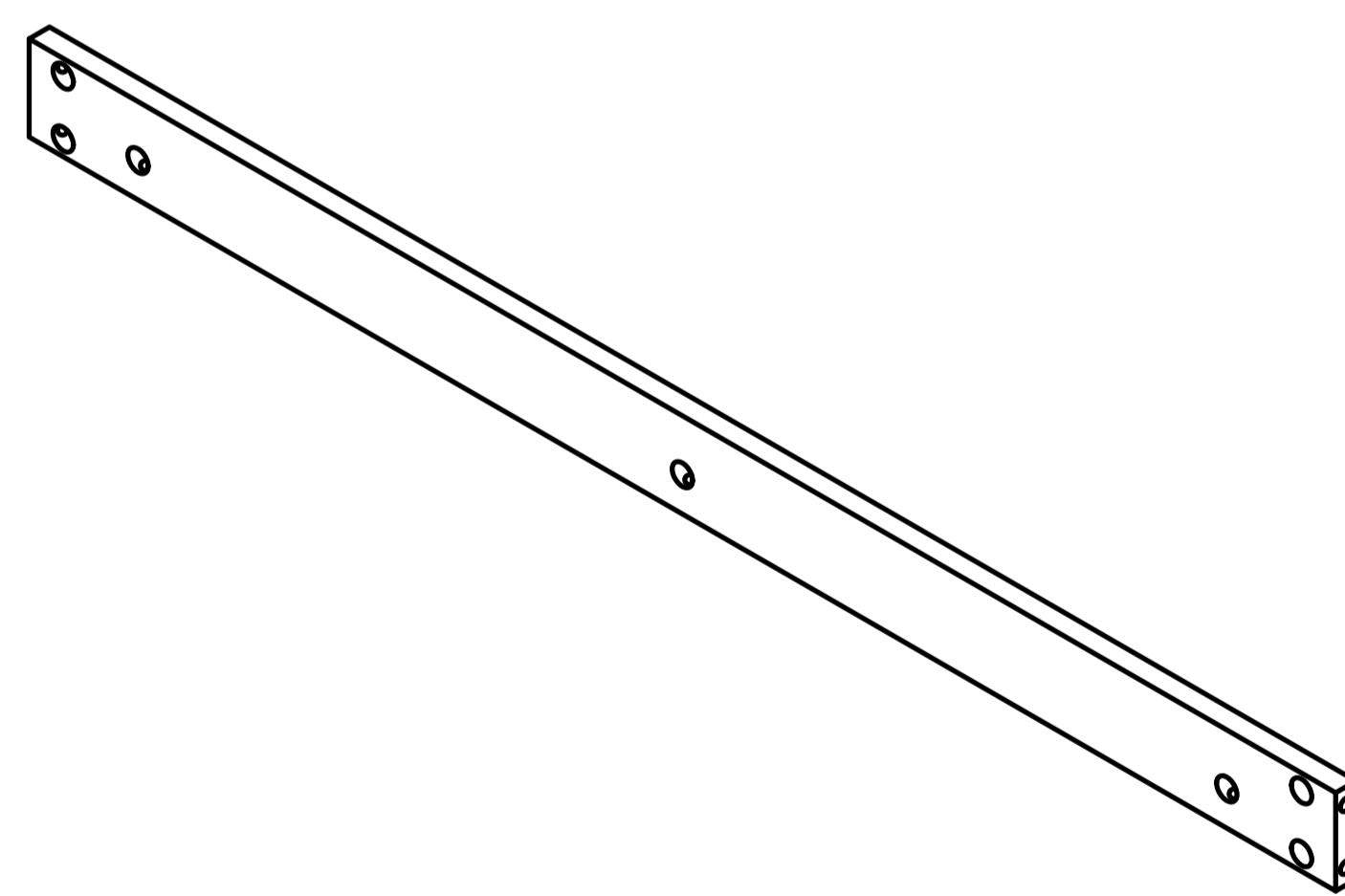
23_{x1}



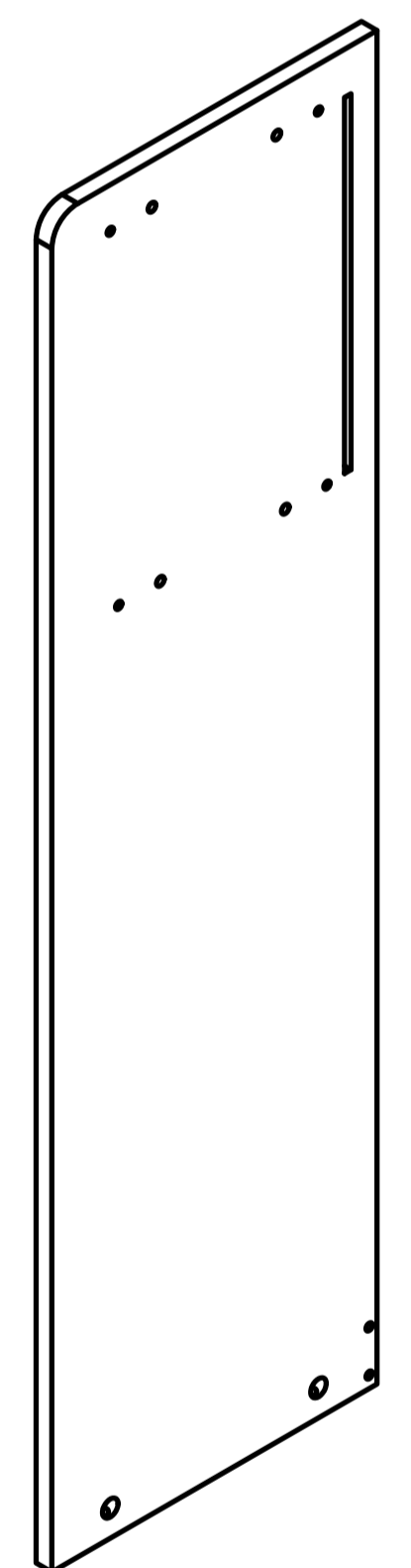
24_{x1}



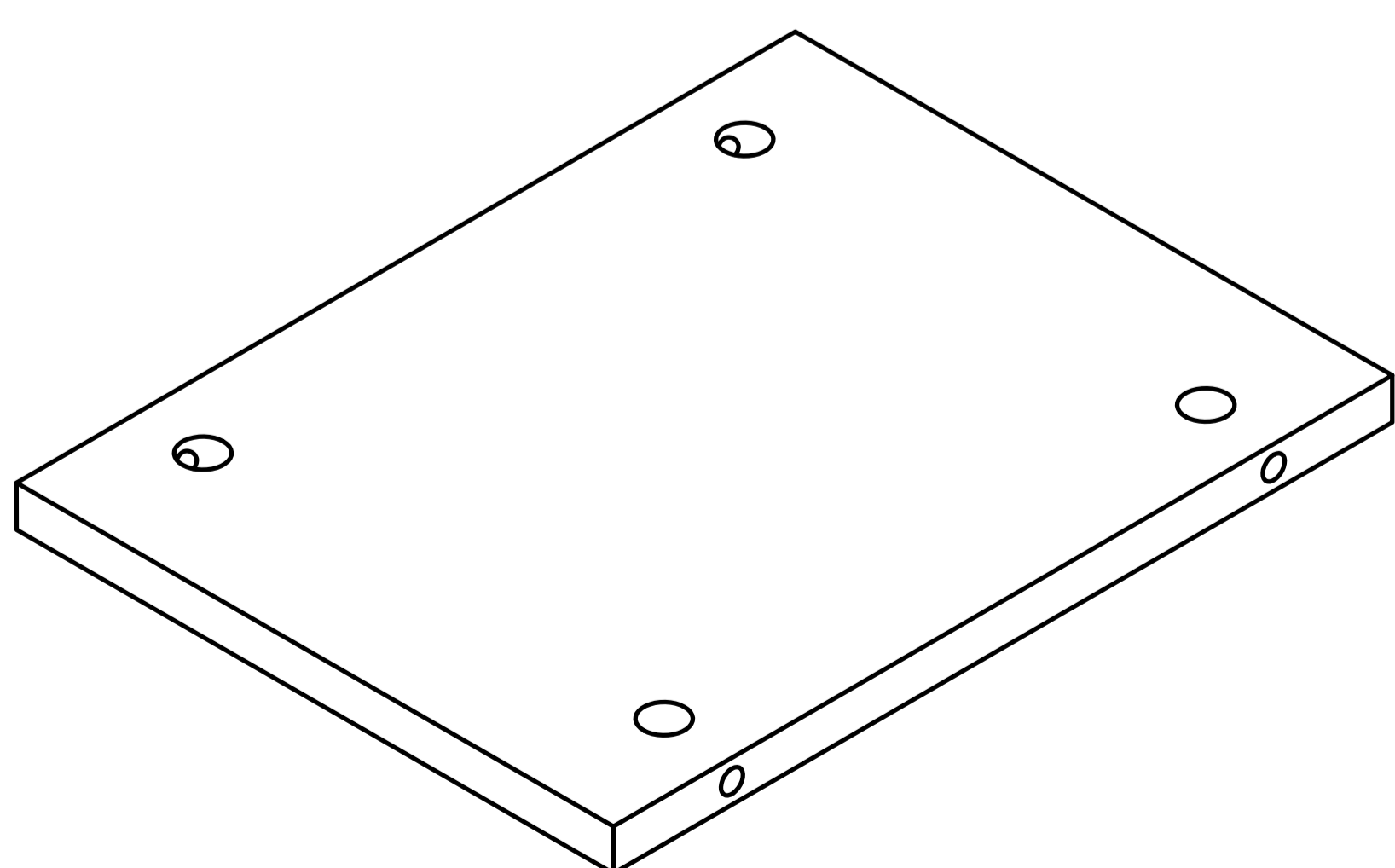
25_{x1}



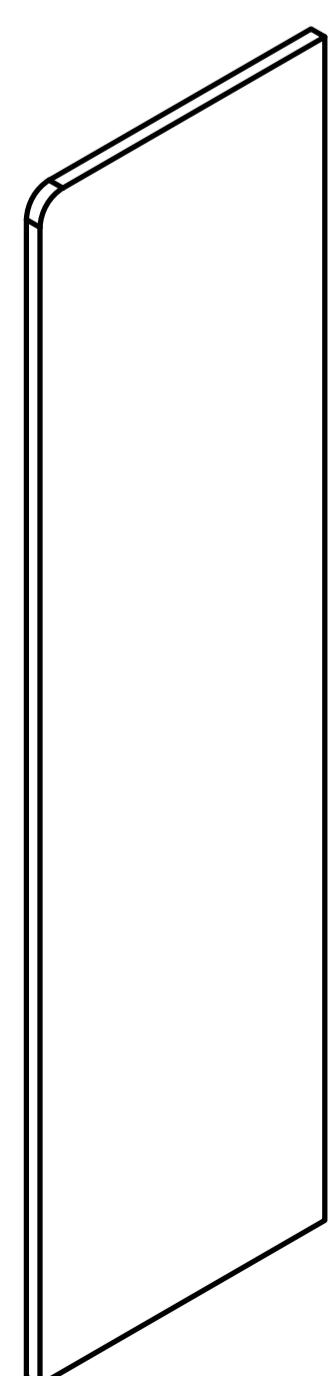
26_{x1}



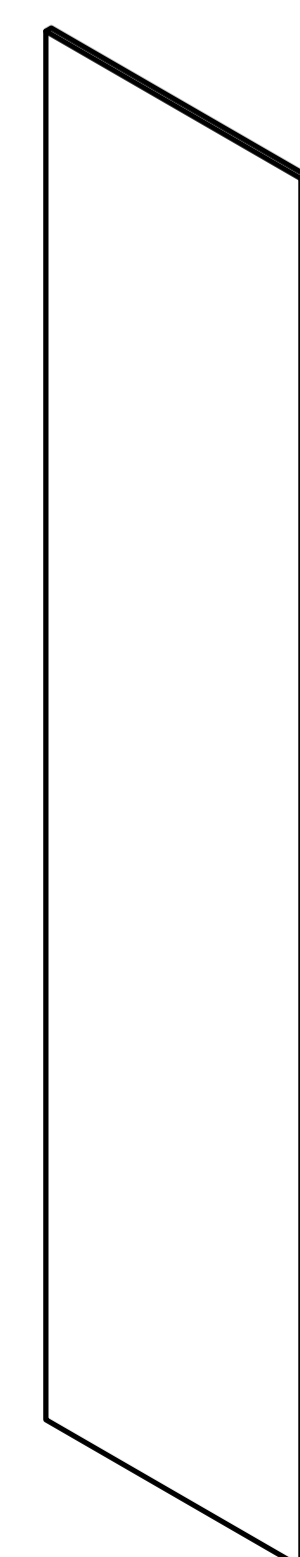
27_{x1}



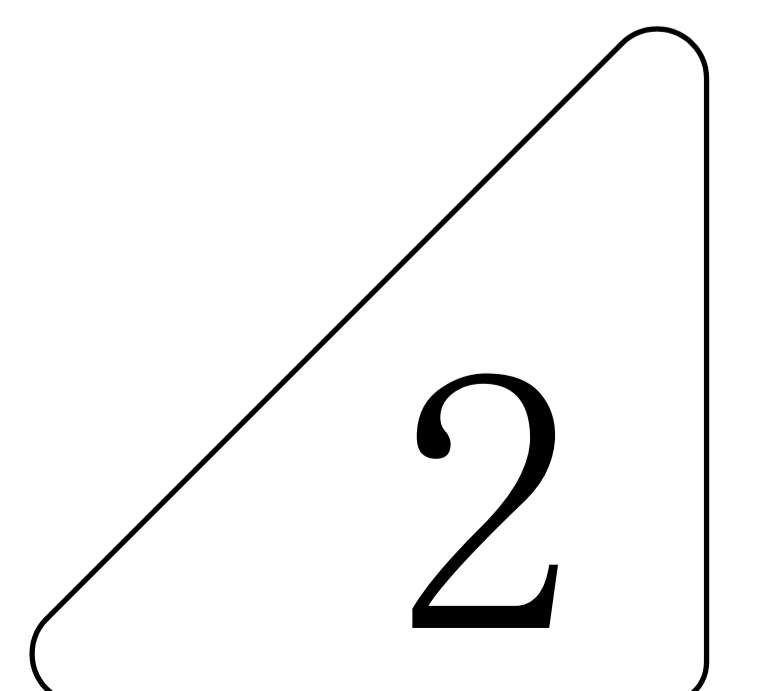
28_{x2}



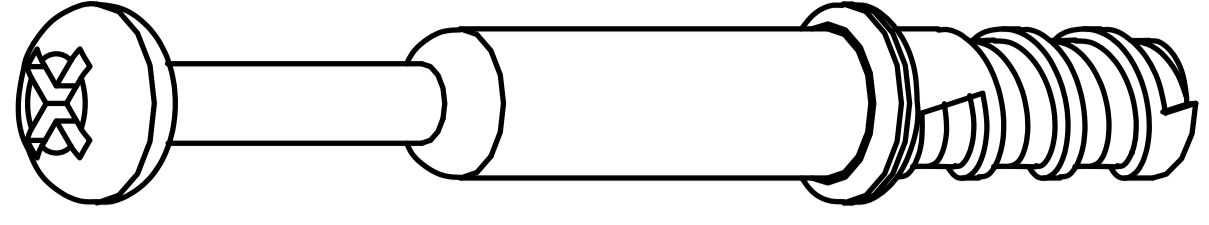
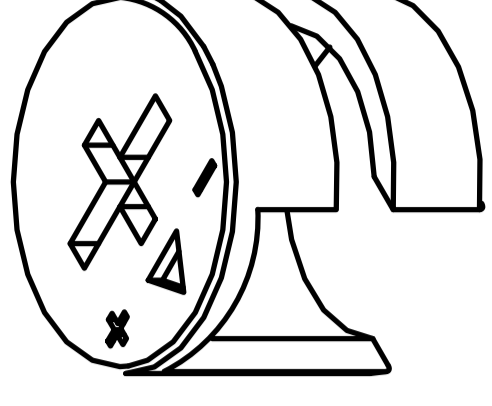

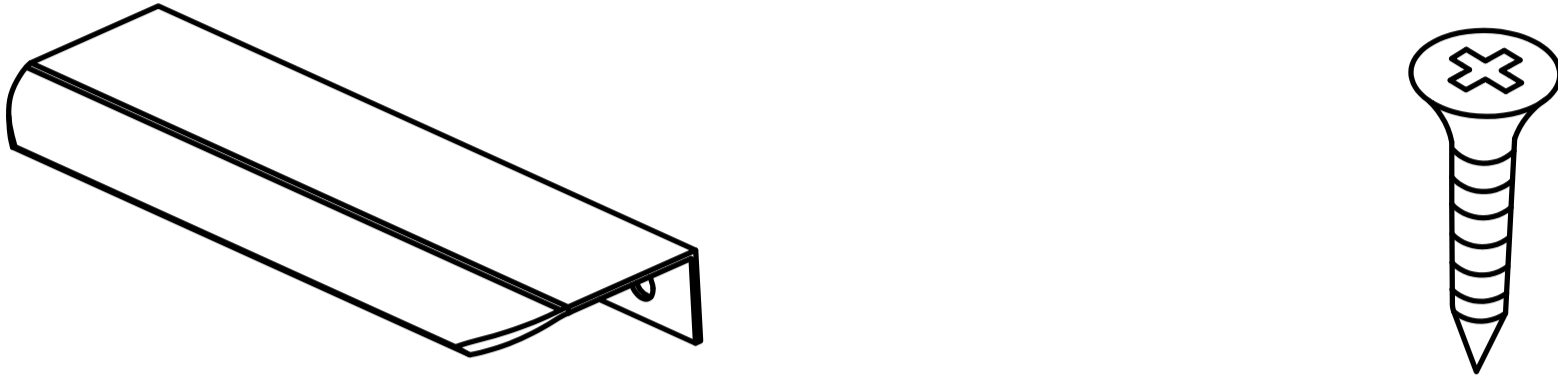
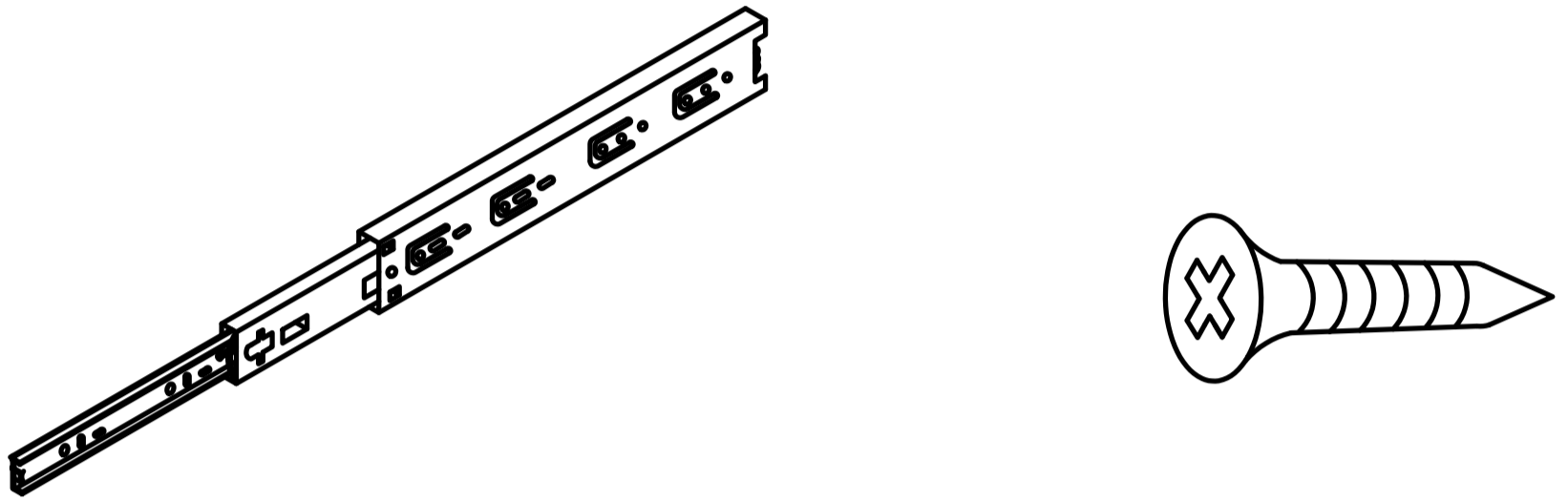
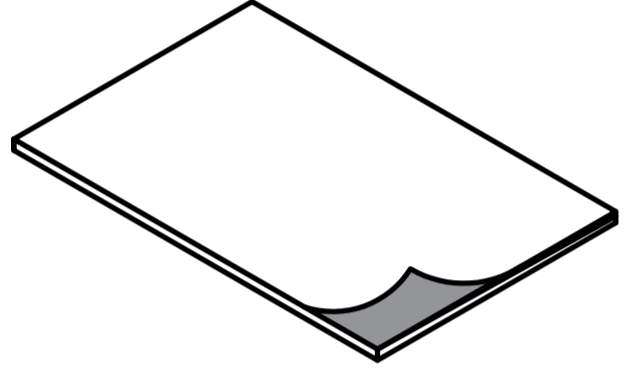
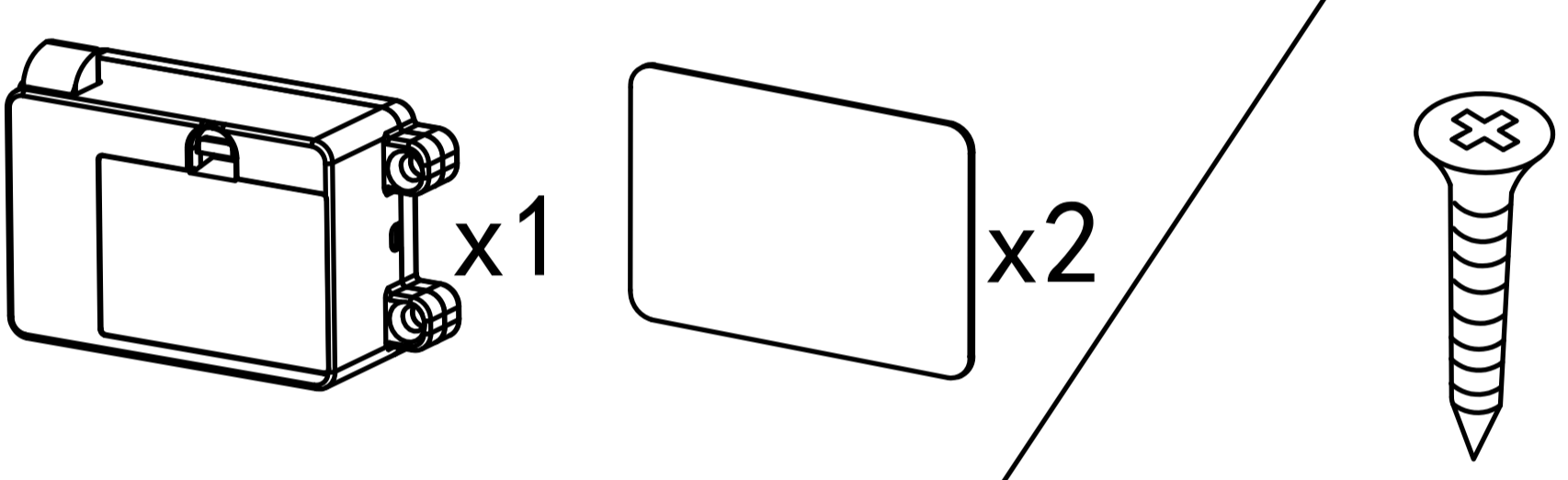
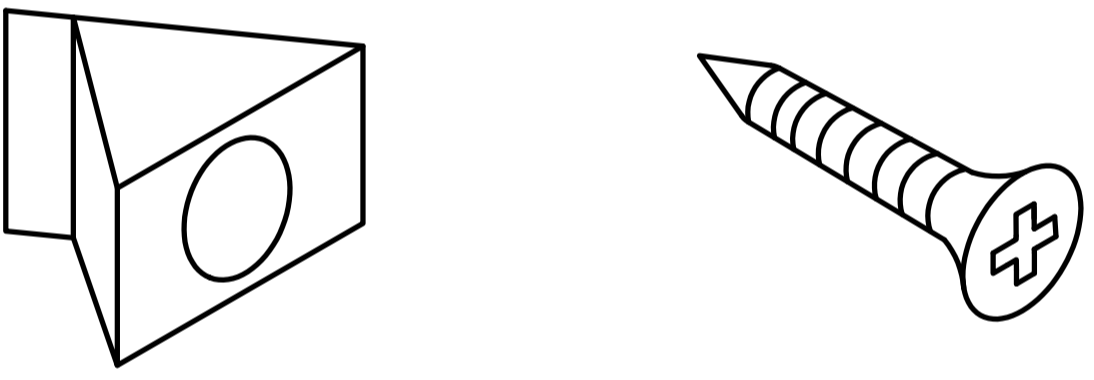
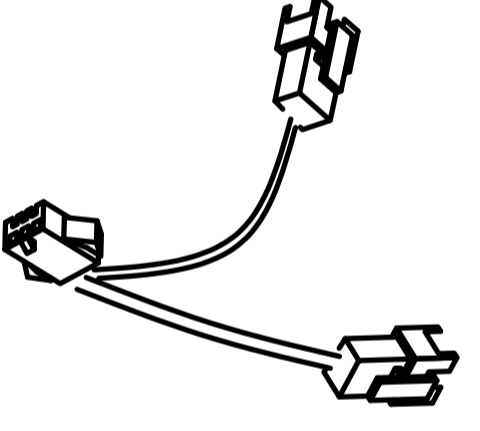
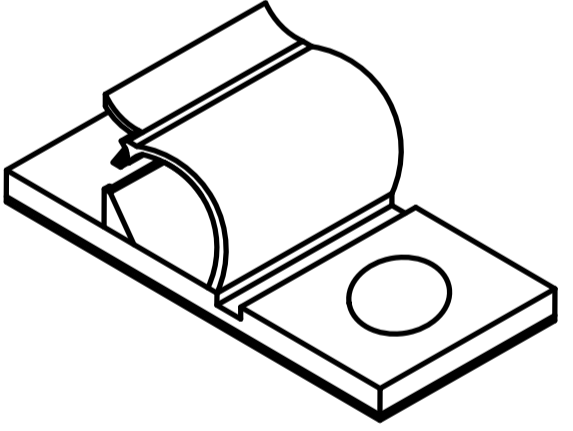
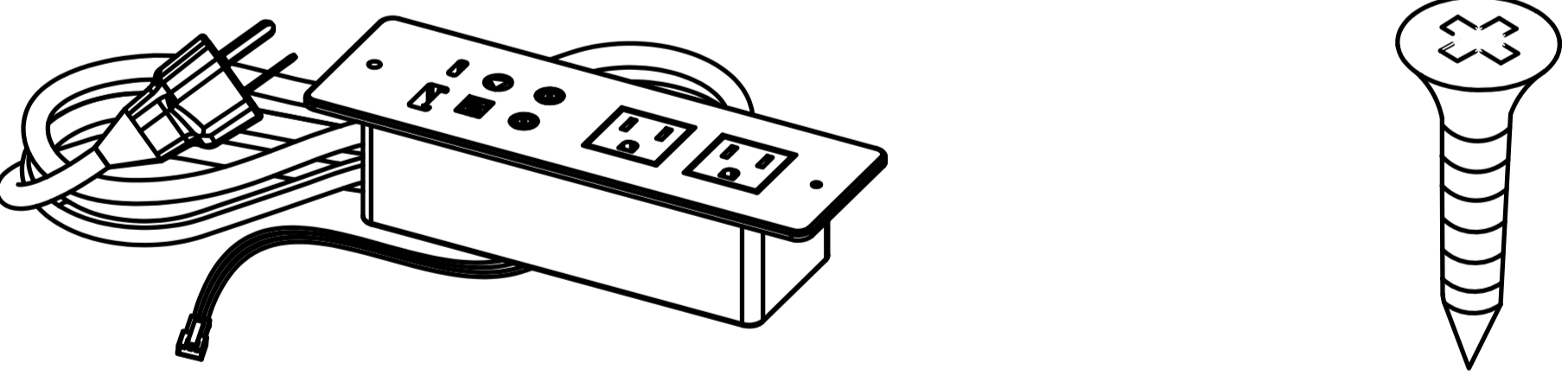
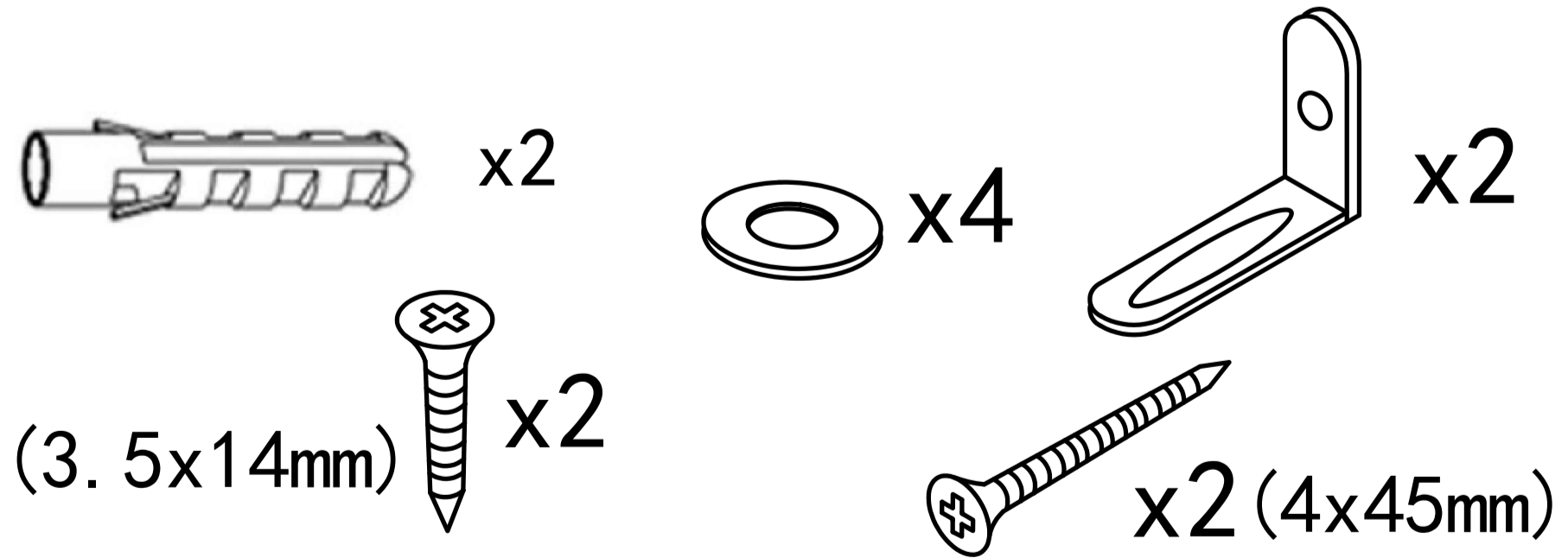
29_{x1}

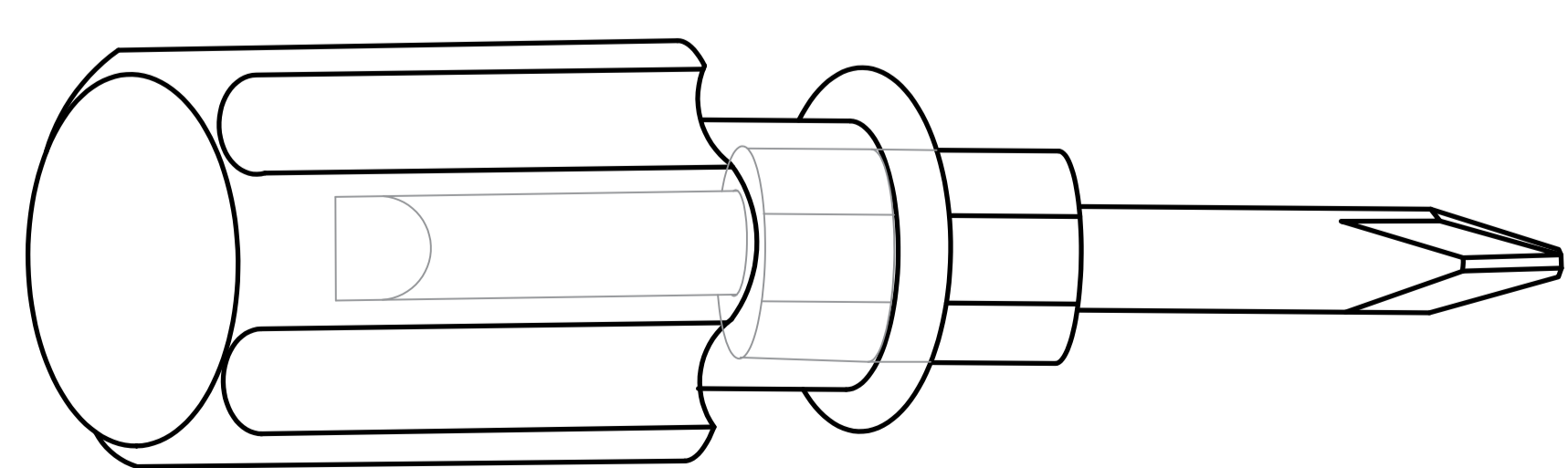


30_{x1}

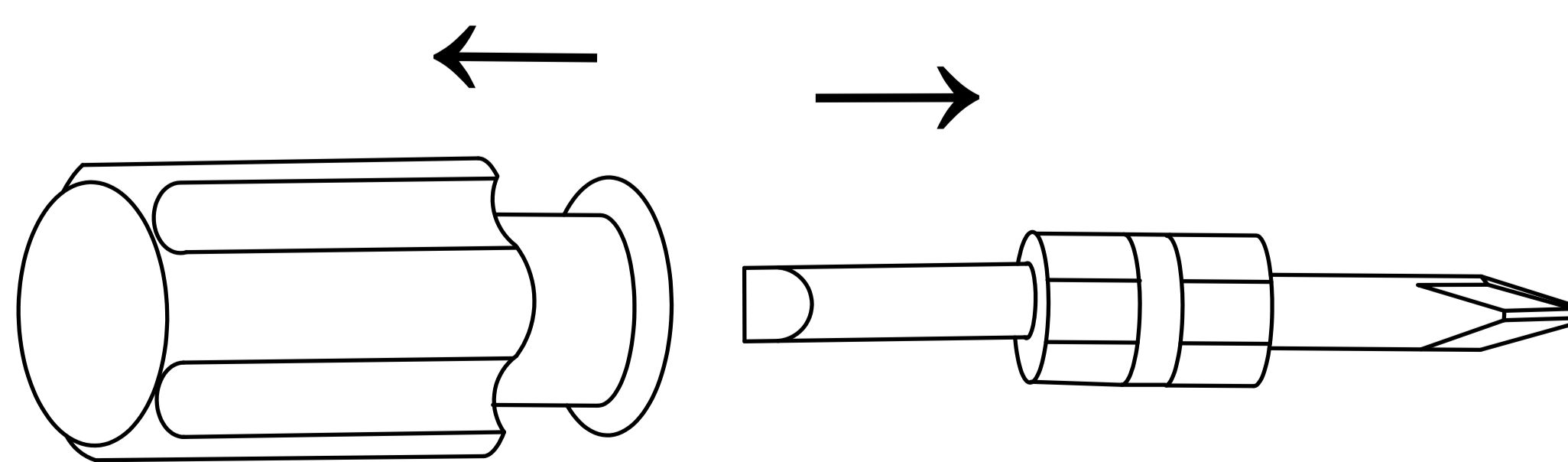


2

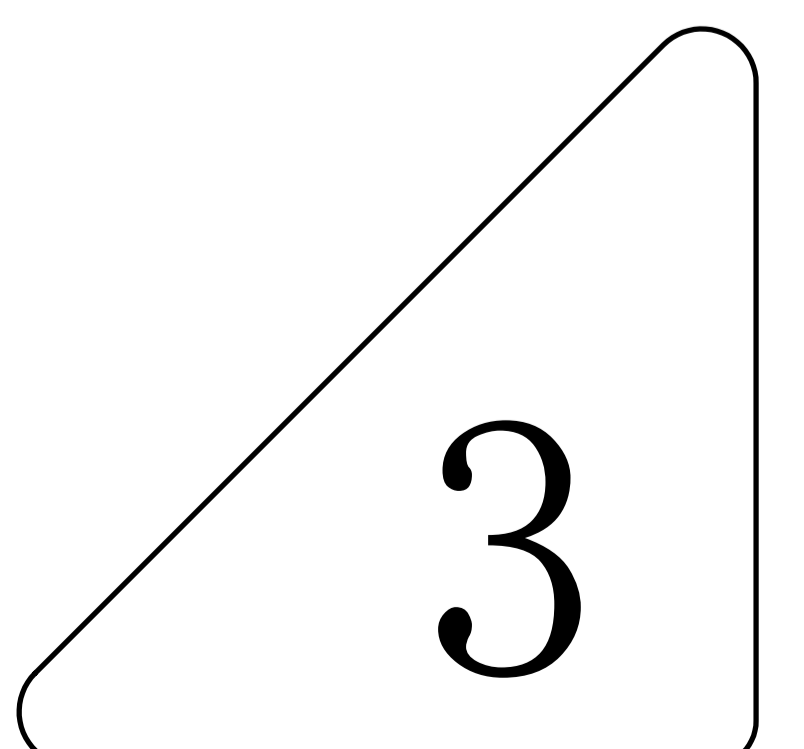
A		Two In One Screw (6x28mm)	116pcs +12pcs
B		Two In One Nut (10x12mm)	116pcs +12pcs
C		Wood Chipping (6x30mm)	16pcs +2pcs
D		Handle & Screw (3.5x12mm)	6pcs +2pcs 3pcs
E		Guide & Screw (29CM) (3.5x12mm)	40pcs +8pcs 8pcs
F		Non-slip pads (50x10mm)	6pcs +2pcs
G		Smart card lock device & Screw (3.5x20mm)	4pcs +1pcs 1pcs
H		Fixing clip & screw (3x16mm)	26pcs +3pcs
I		Forked line	1pcs
J		Wire clamp	2pcs +1pcs
		Socket (3x10mm)	2pcs +1pcs 1pcs
K		Anti Fall Hardware	1pcs

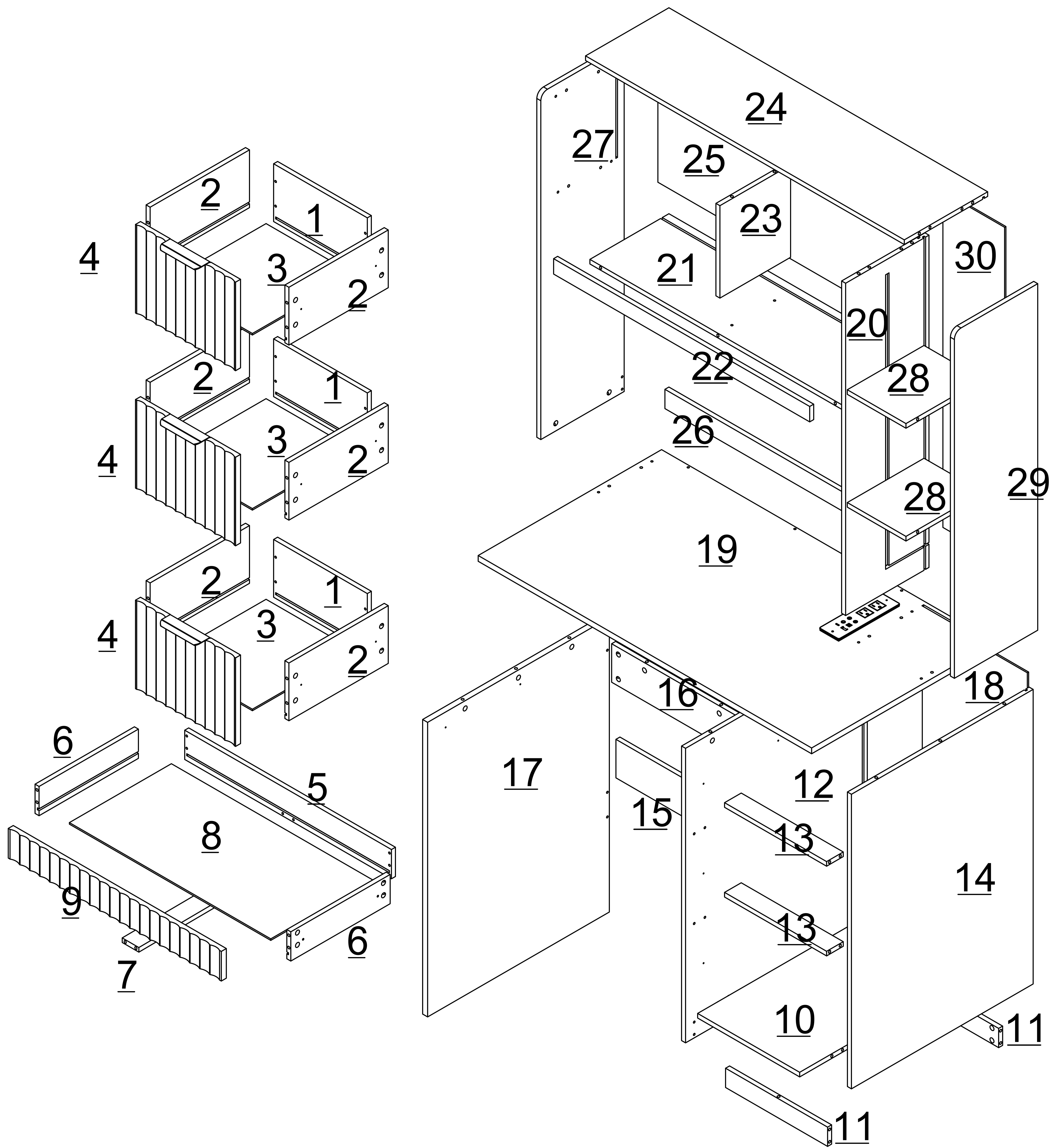


1pcs

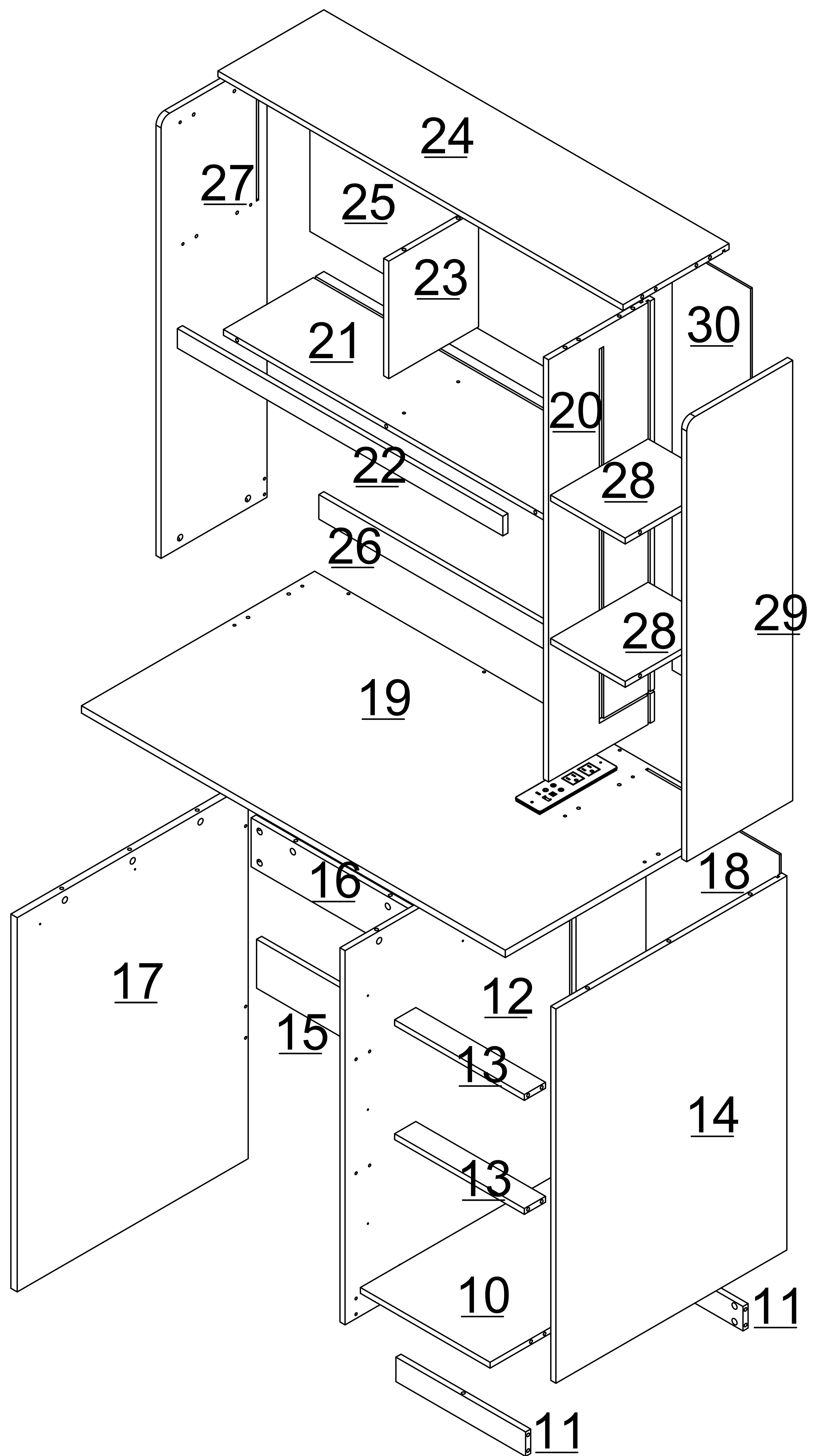
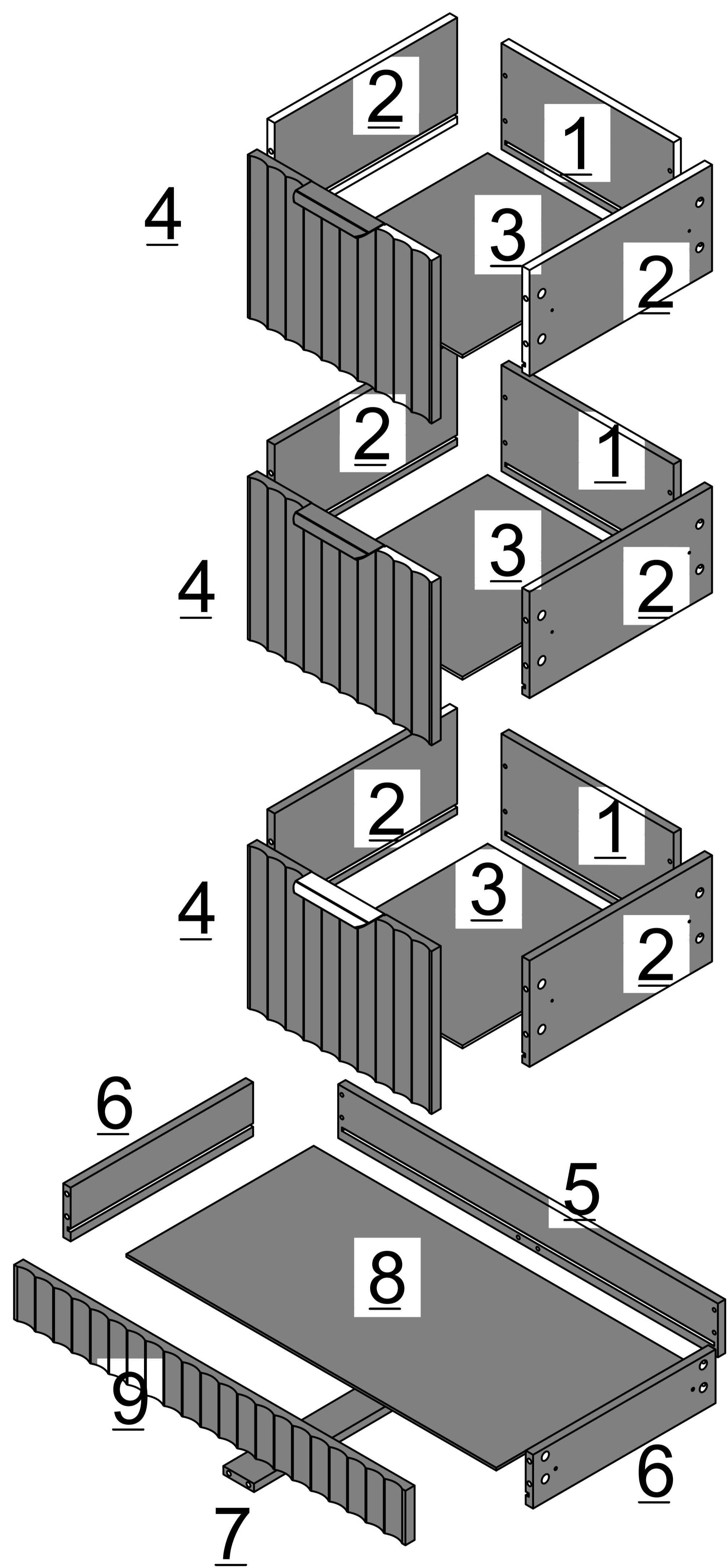


Double-head screwdriver, use as required





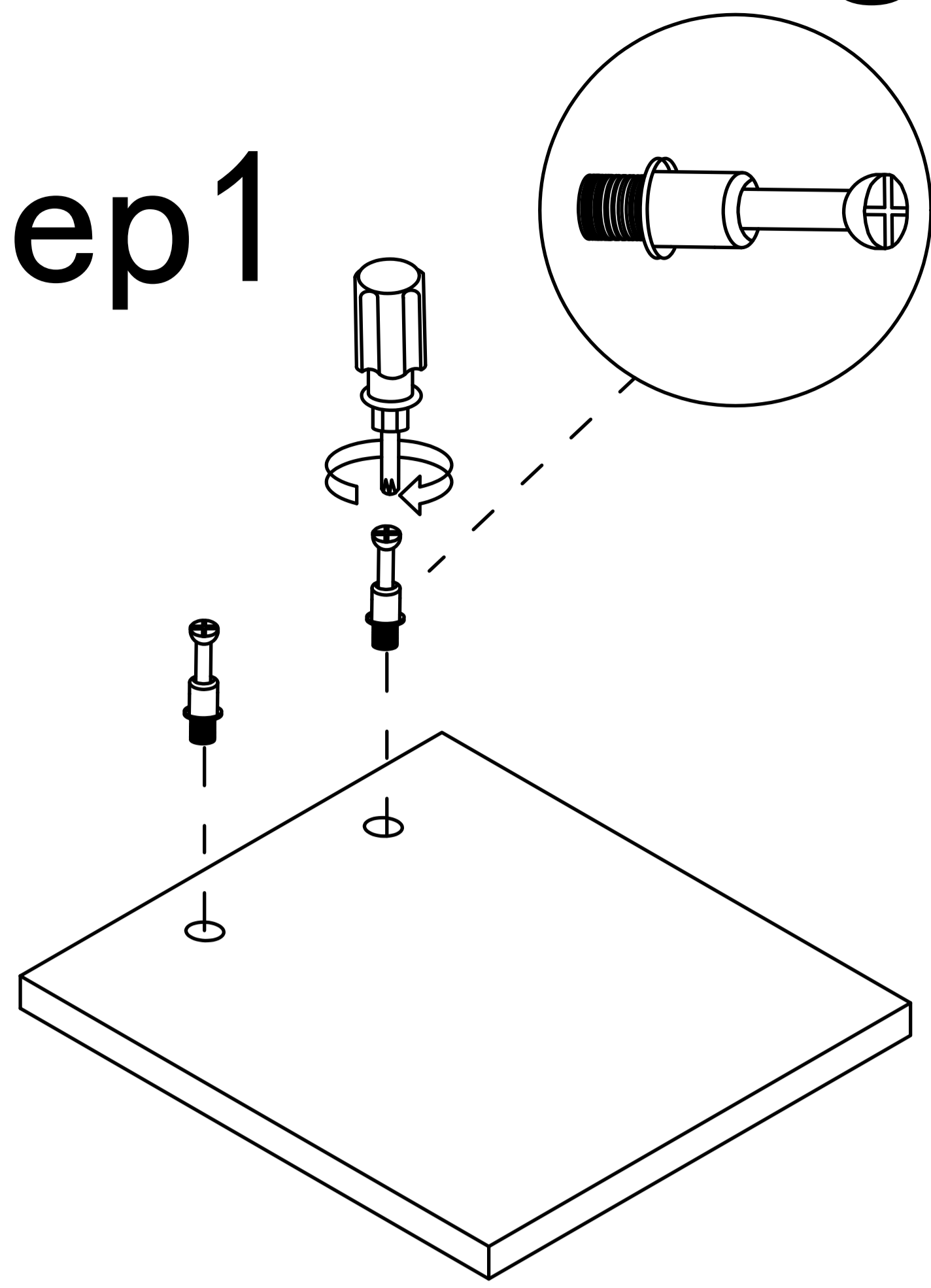
Product structure decomposition



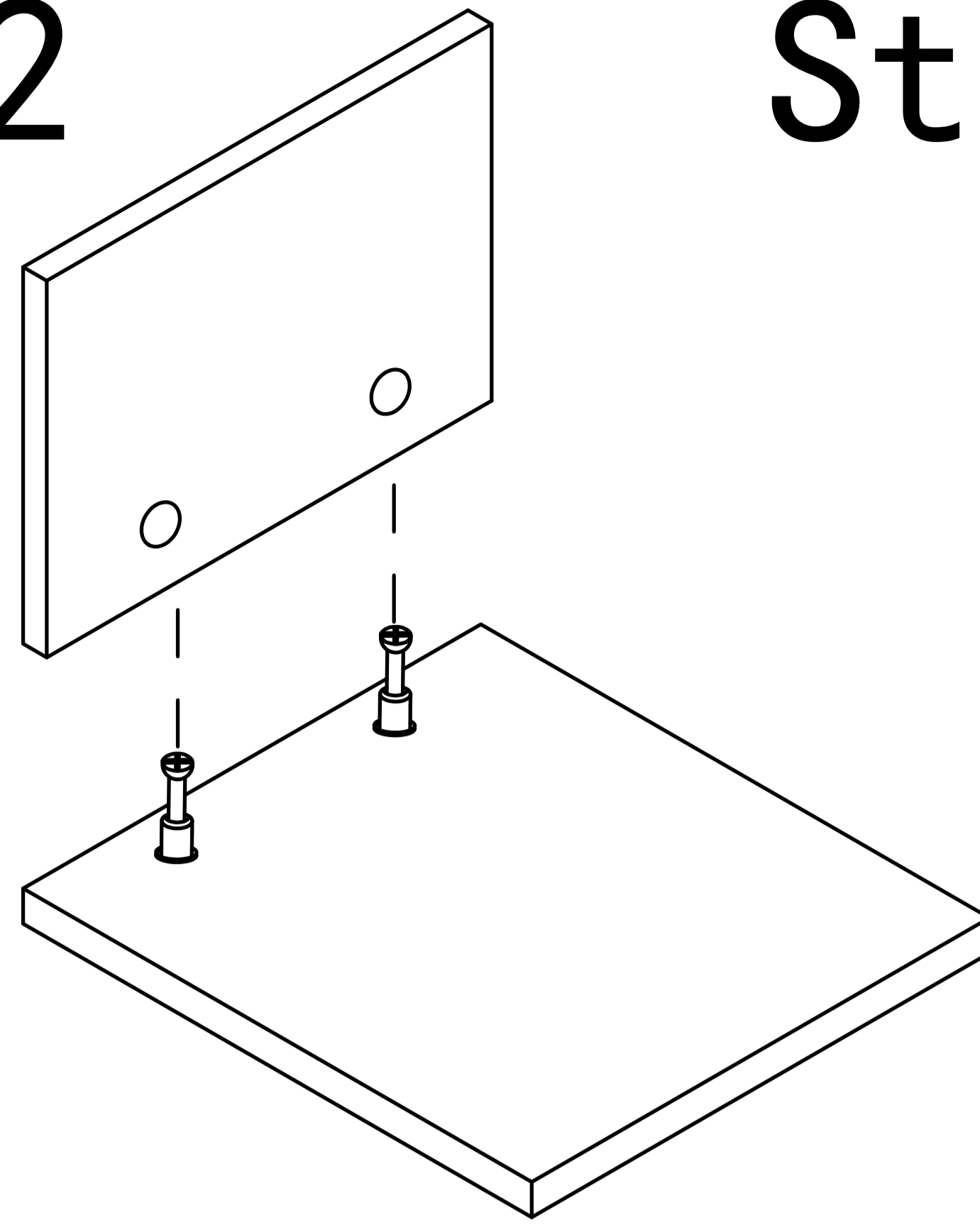
Product structure decomposition

Use parts ① and ②

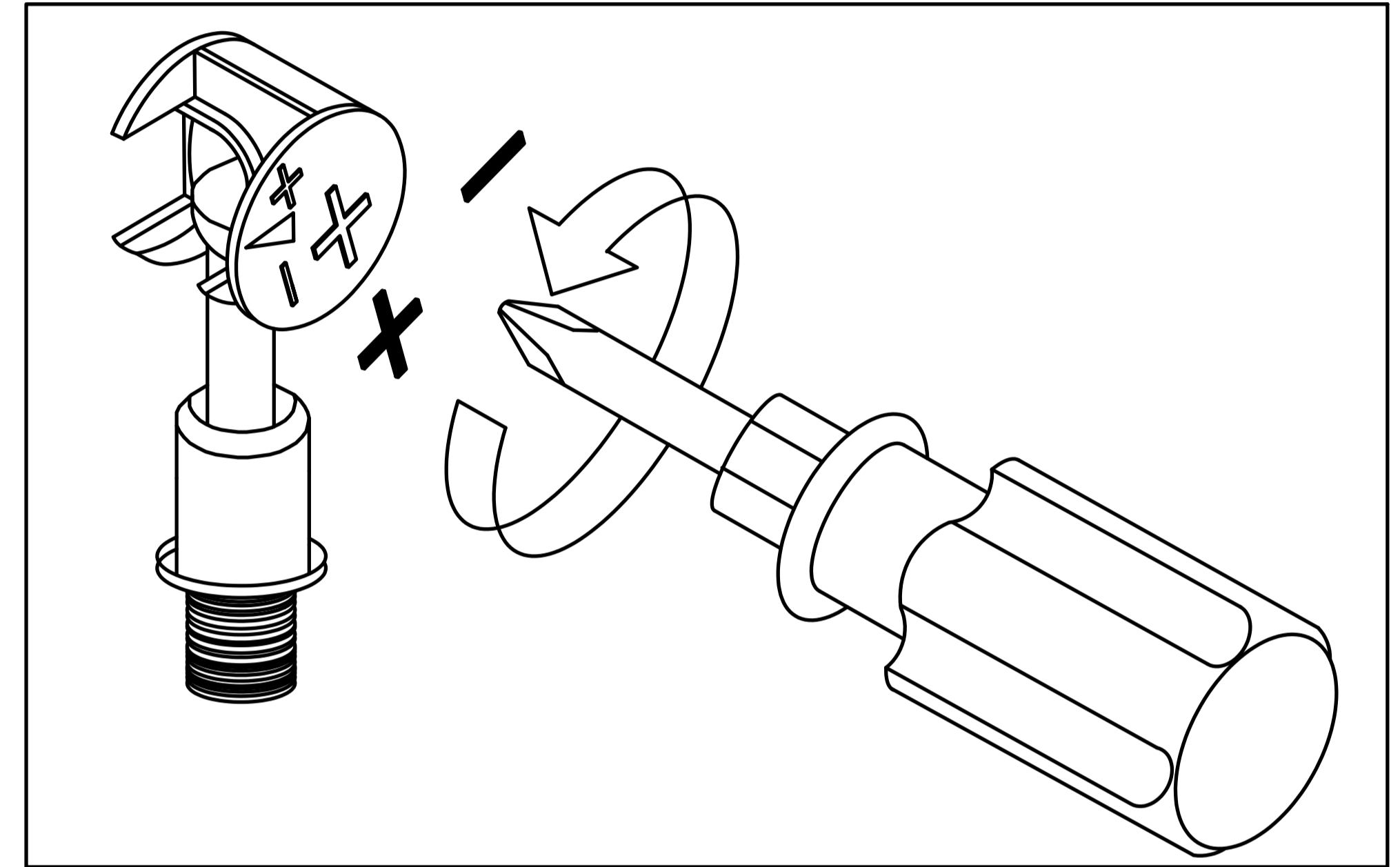
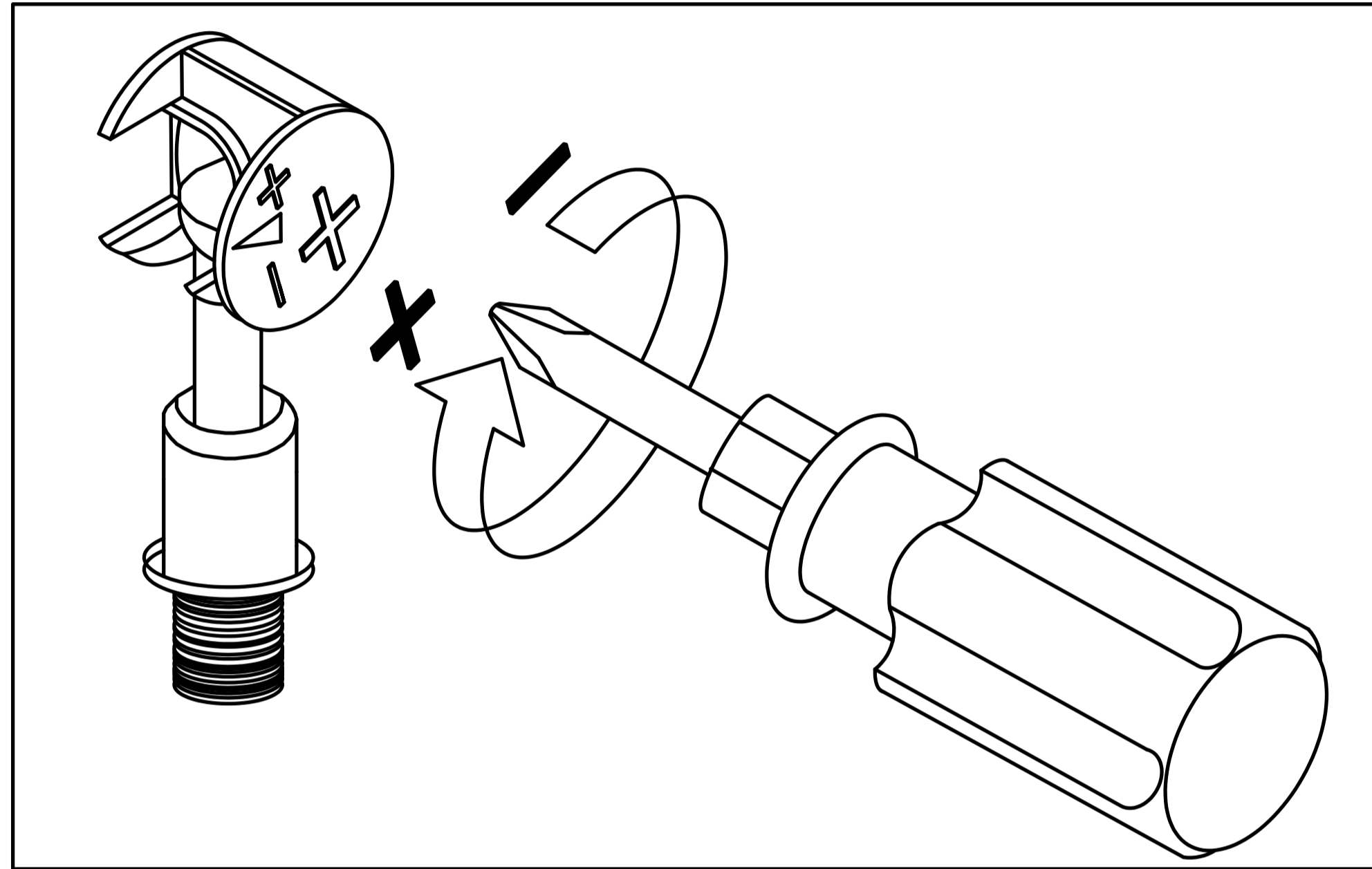
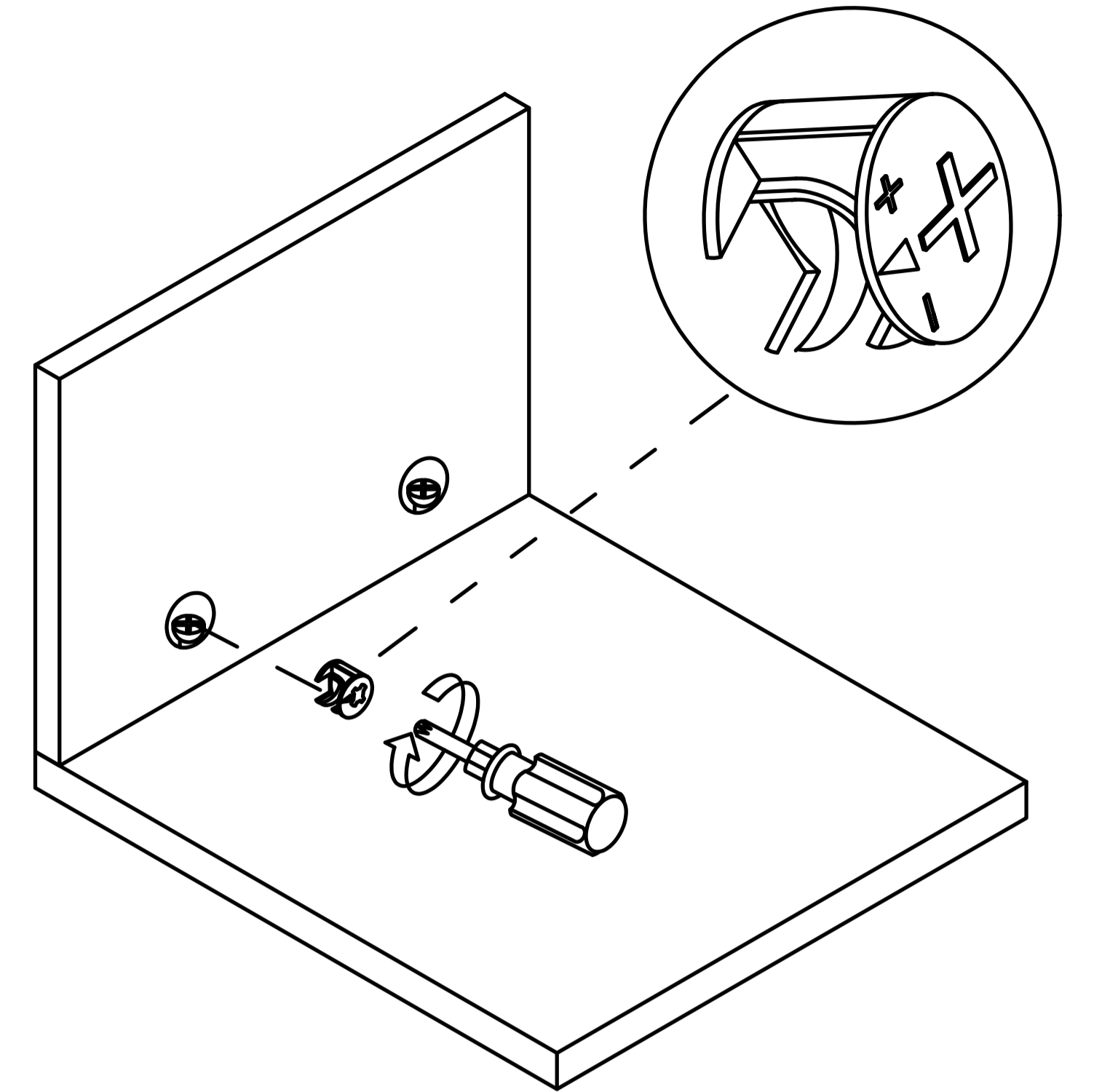
Step 1



Step 2



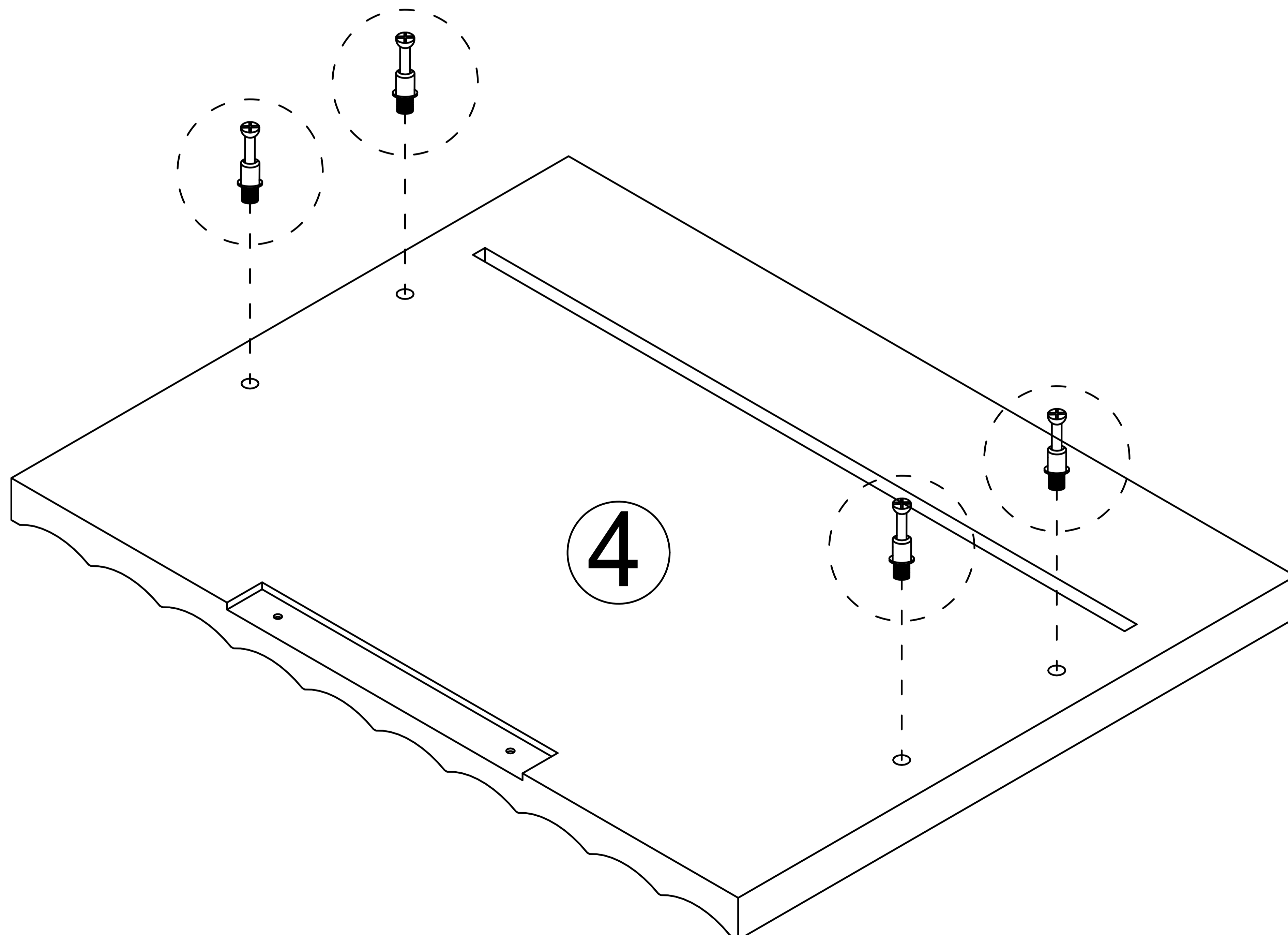
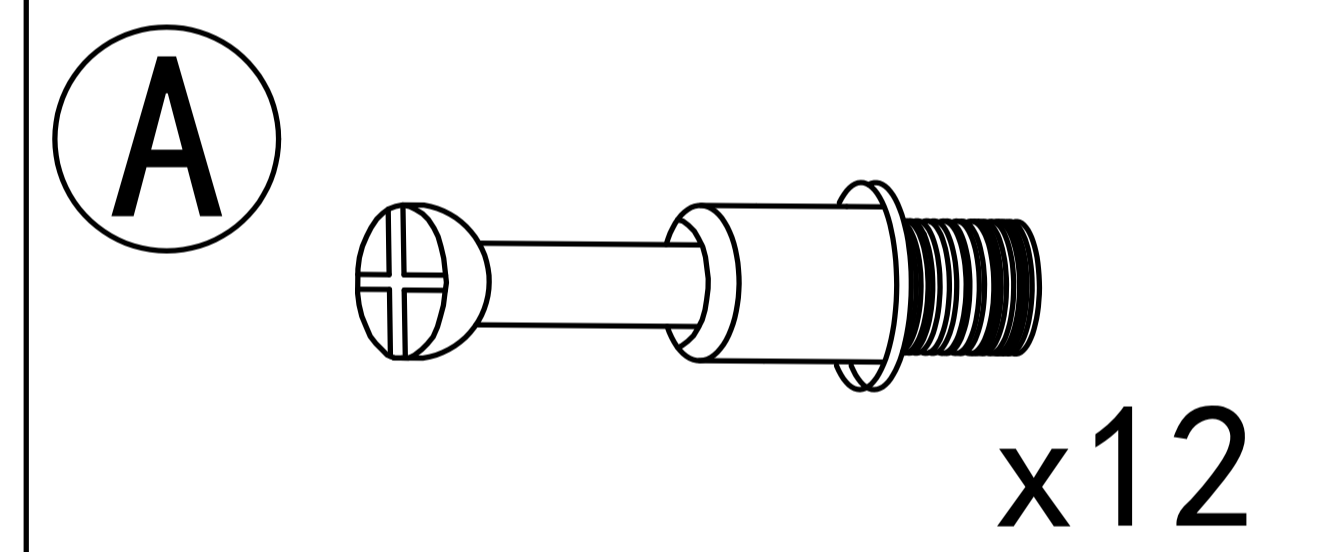
Step 3



Use a screwdriver to lock in the direction of the "+" sign

Disassemble along the direction of "-" sign

Step 1

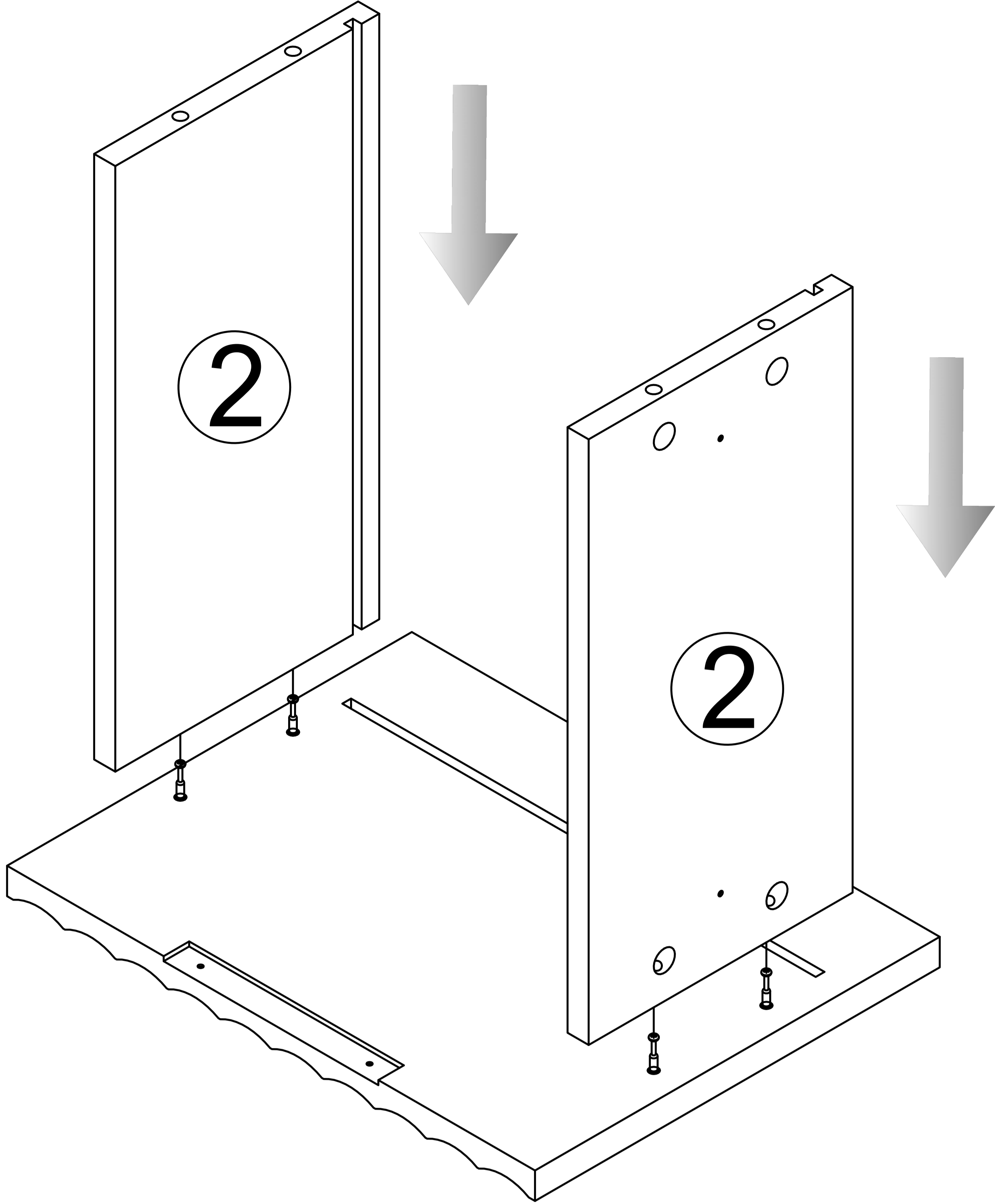


Steps and objects x3

6

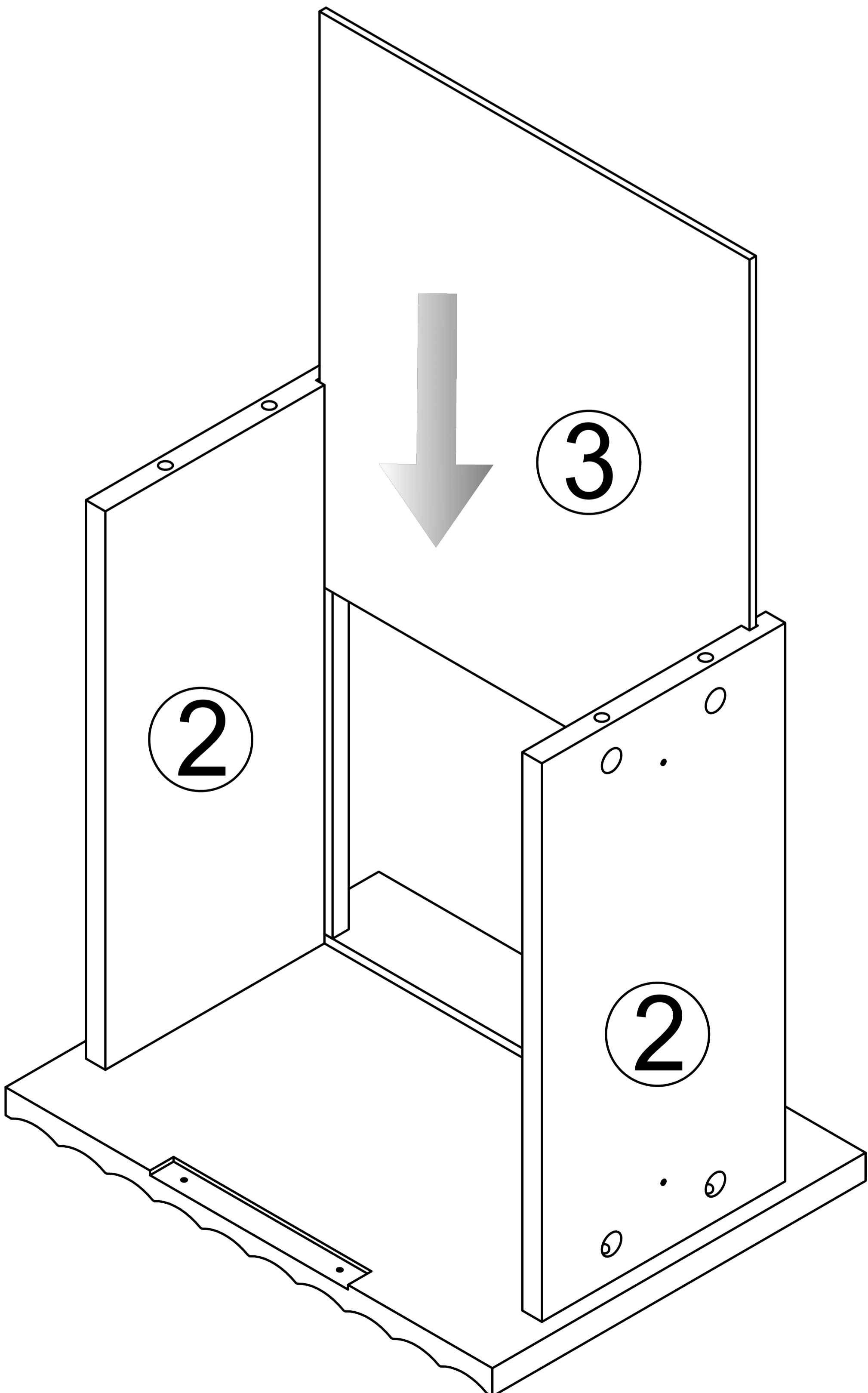
Step 2

Note the orientation of the card slot



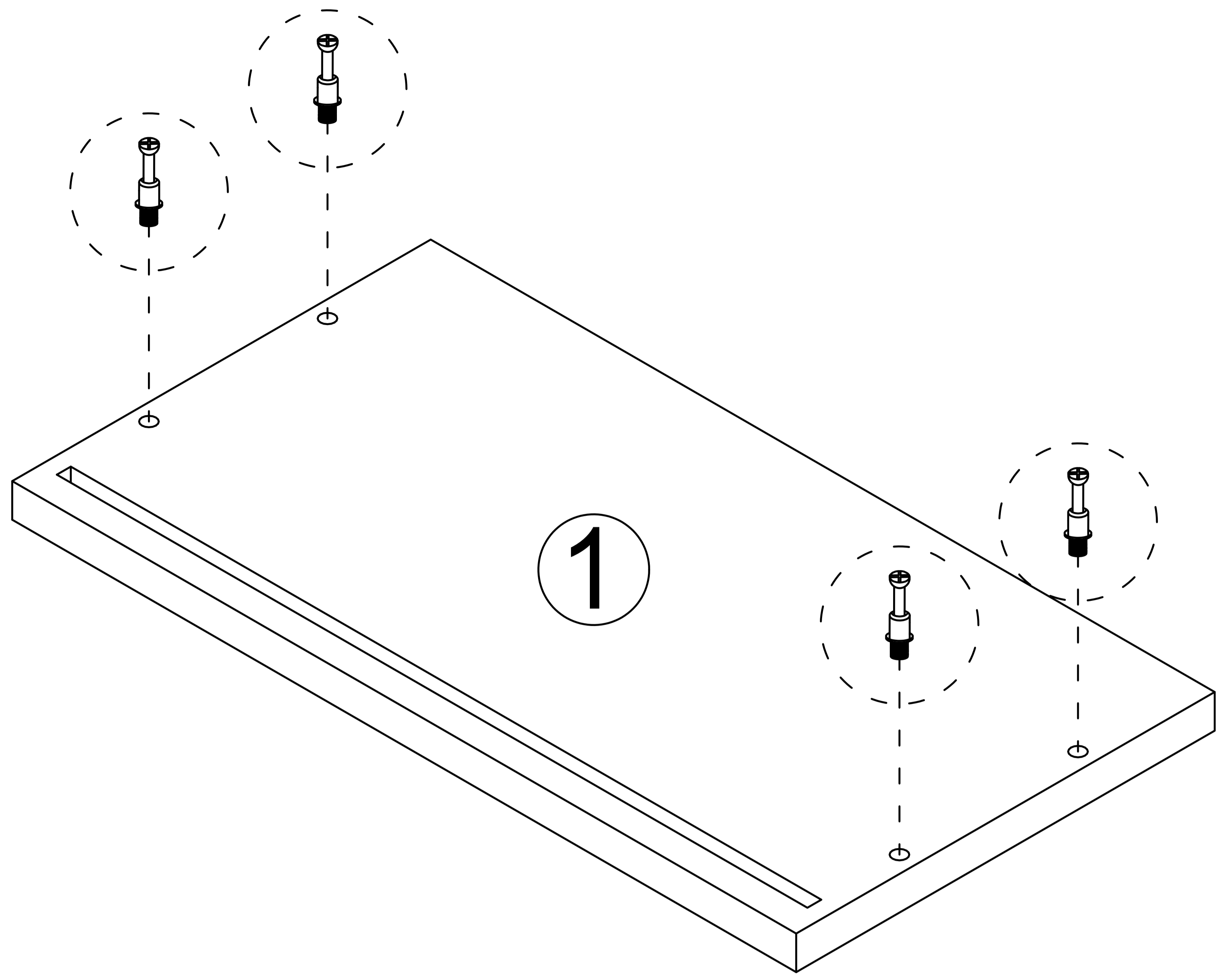
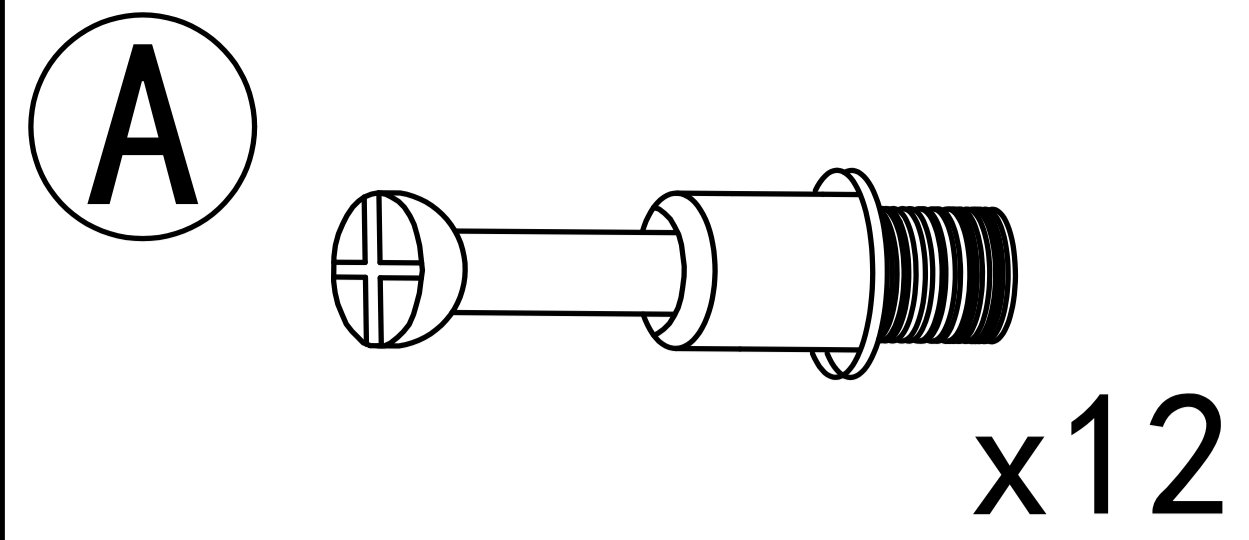
Steps and objects x3

Step 3



Steps and objects x3

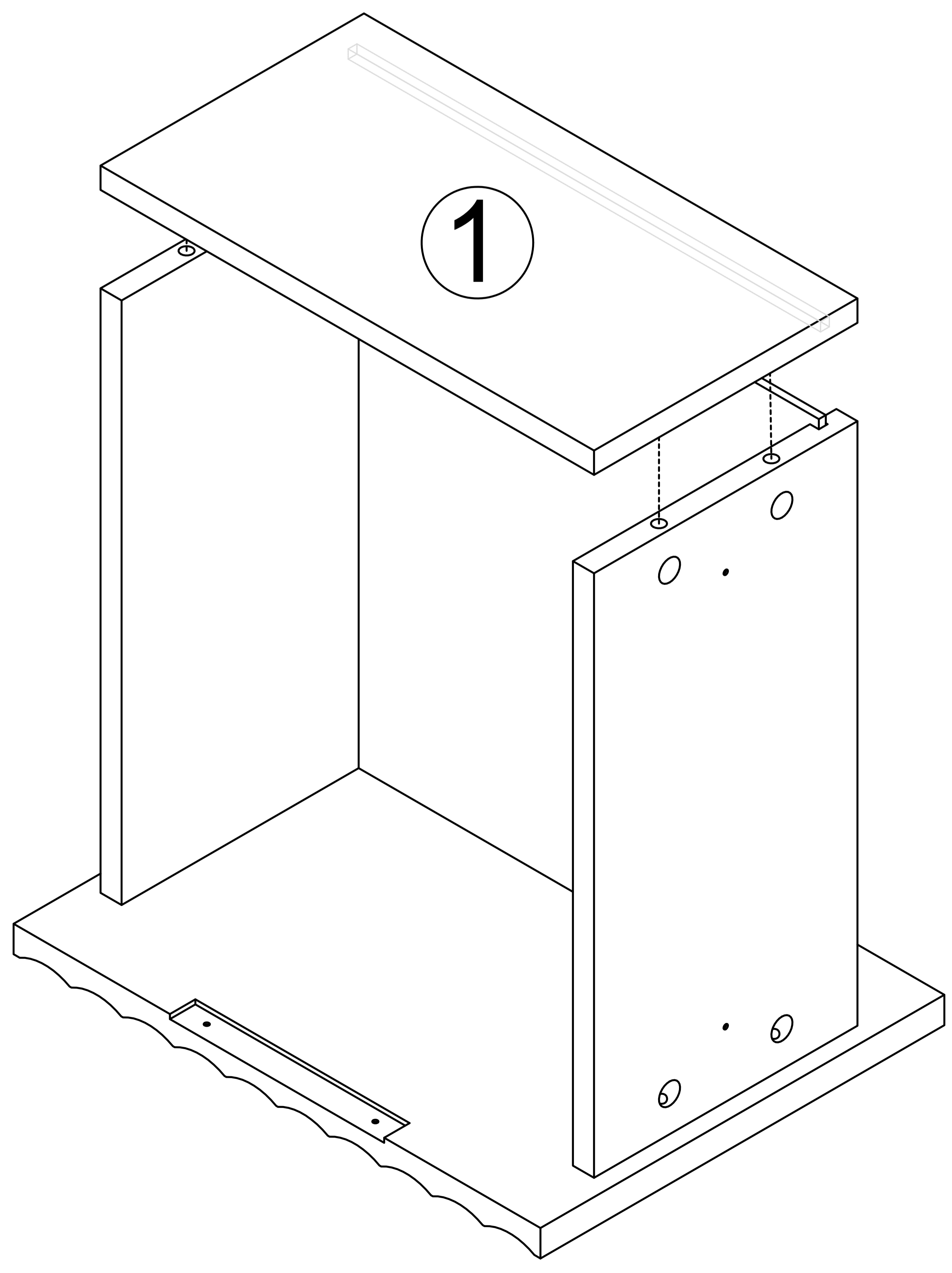
Step 4



Steps and objects x3

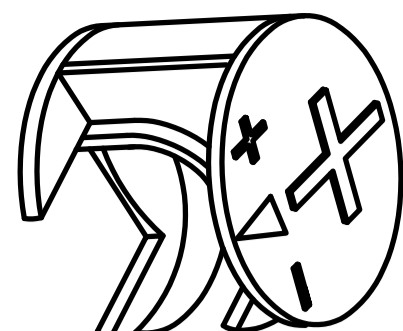
Step 5

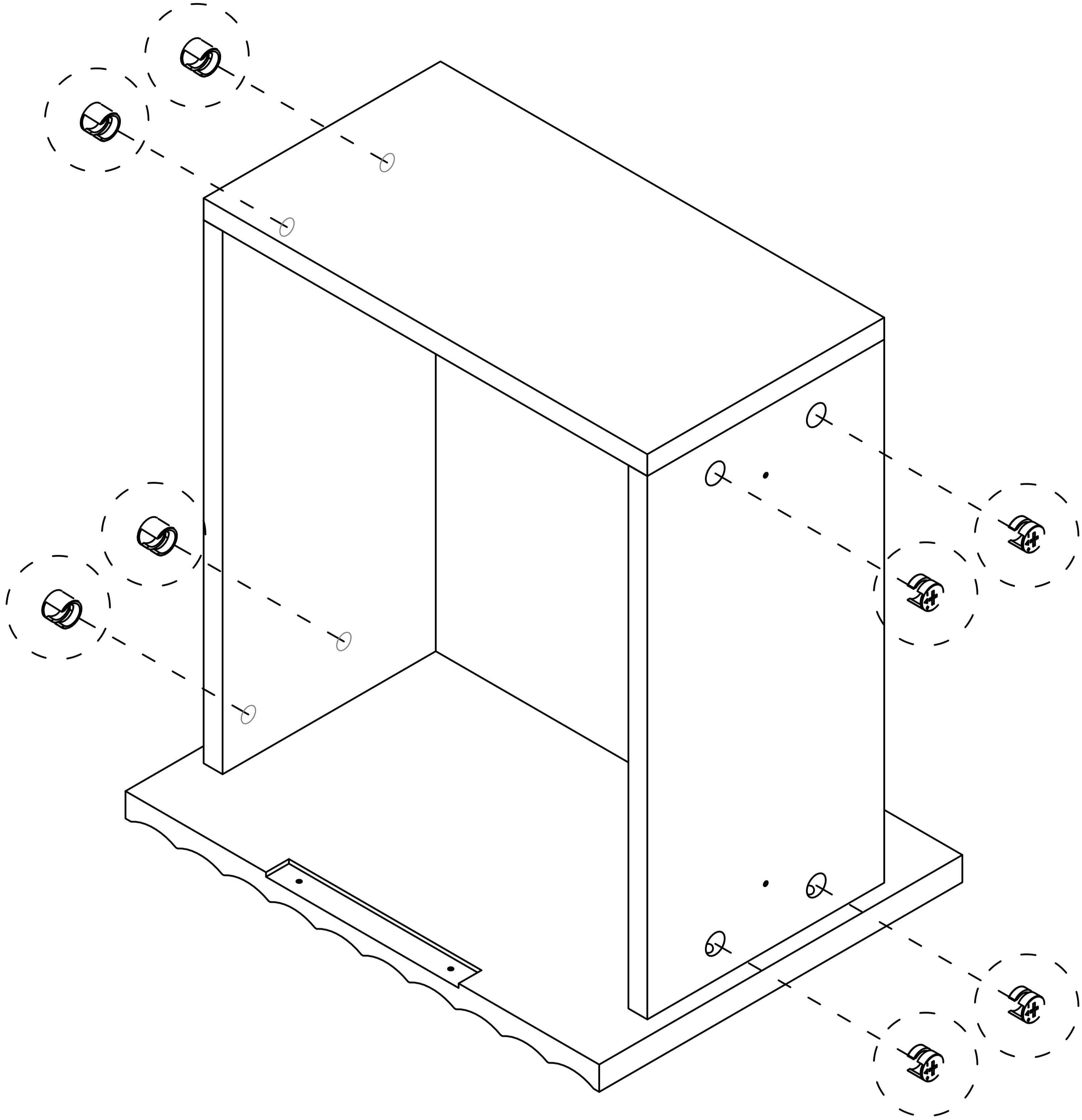
Note the orientation of the card slot



Steps and objects x3

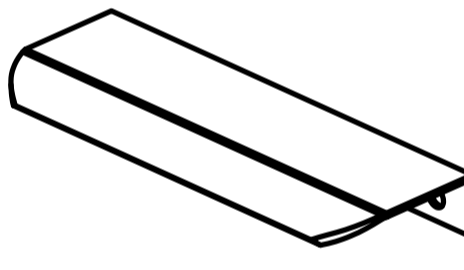
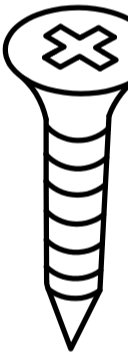
Step 6

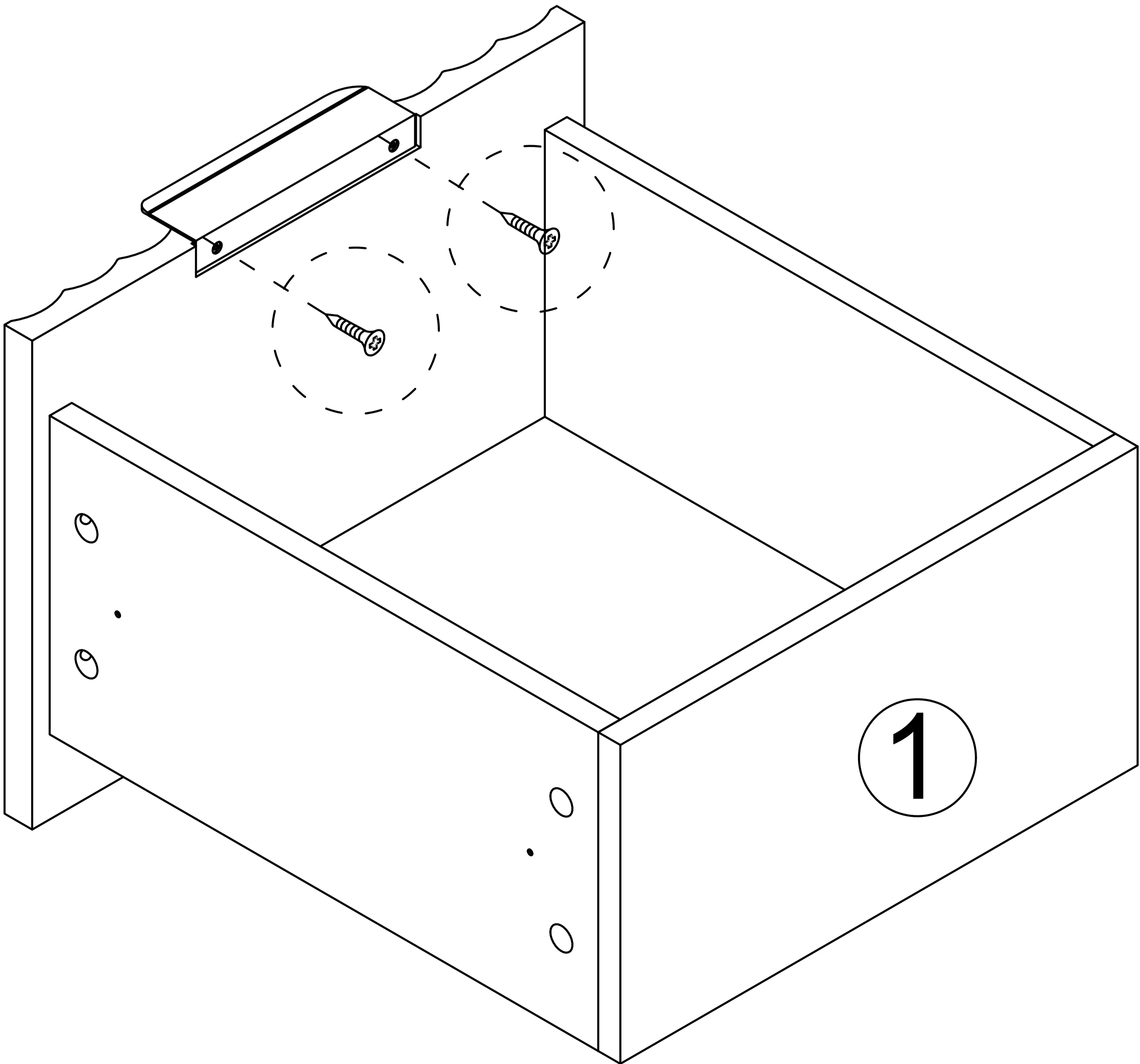
B  x24



Steps and objects x3

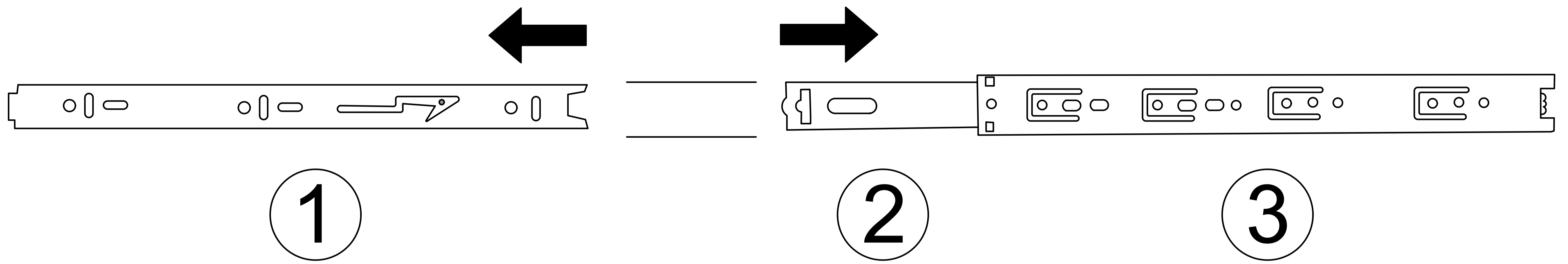
Step 7

D  x3  x6



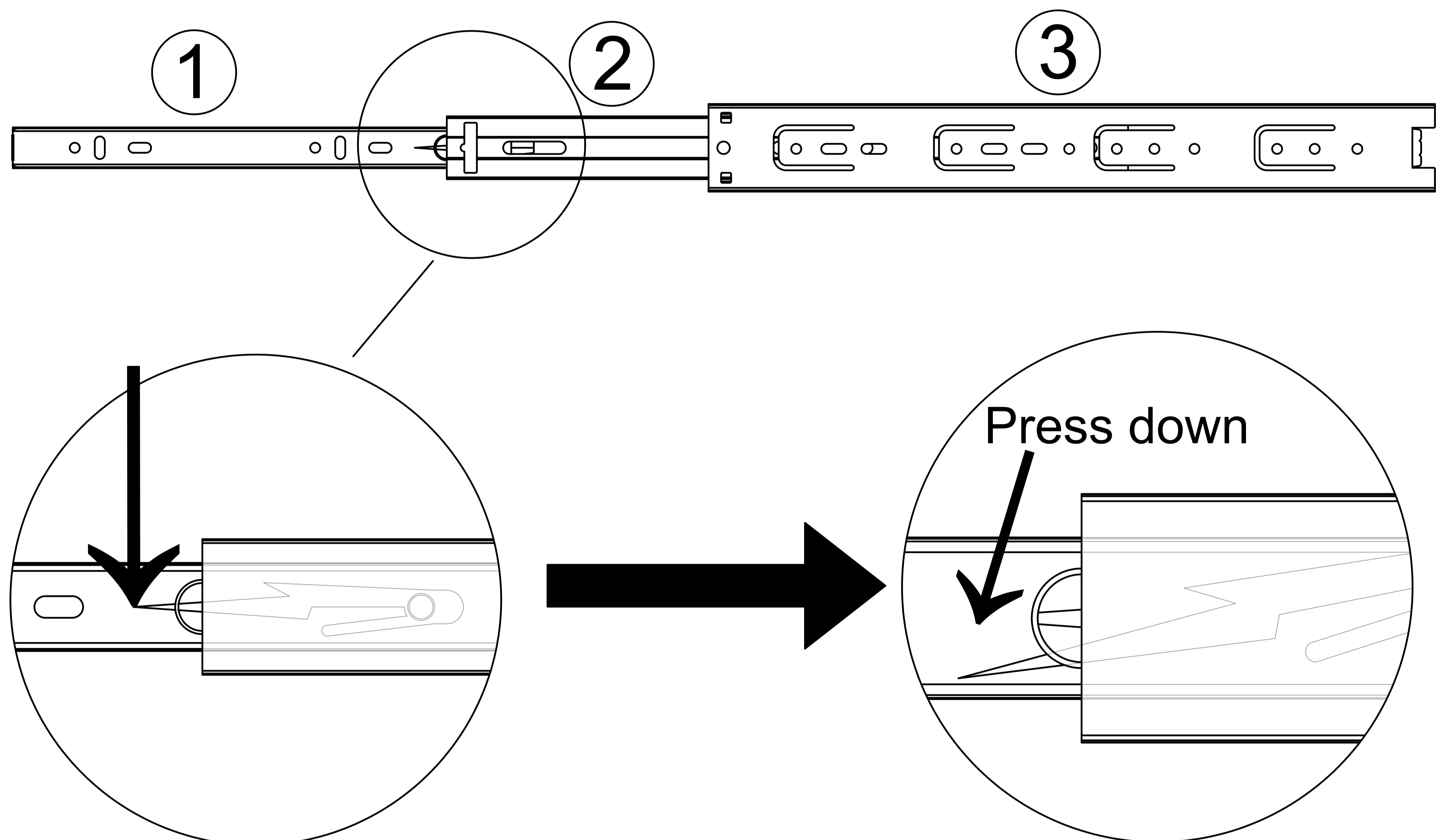
Steps and objects x3

Drawer rail breakdown diagram



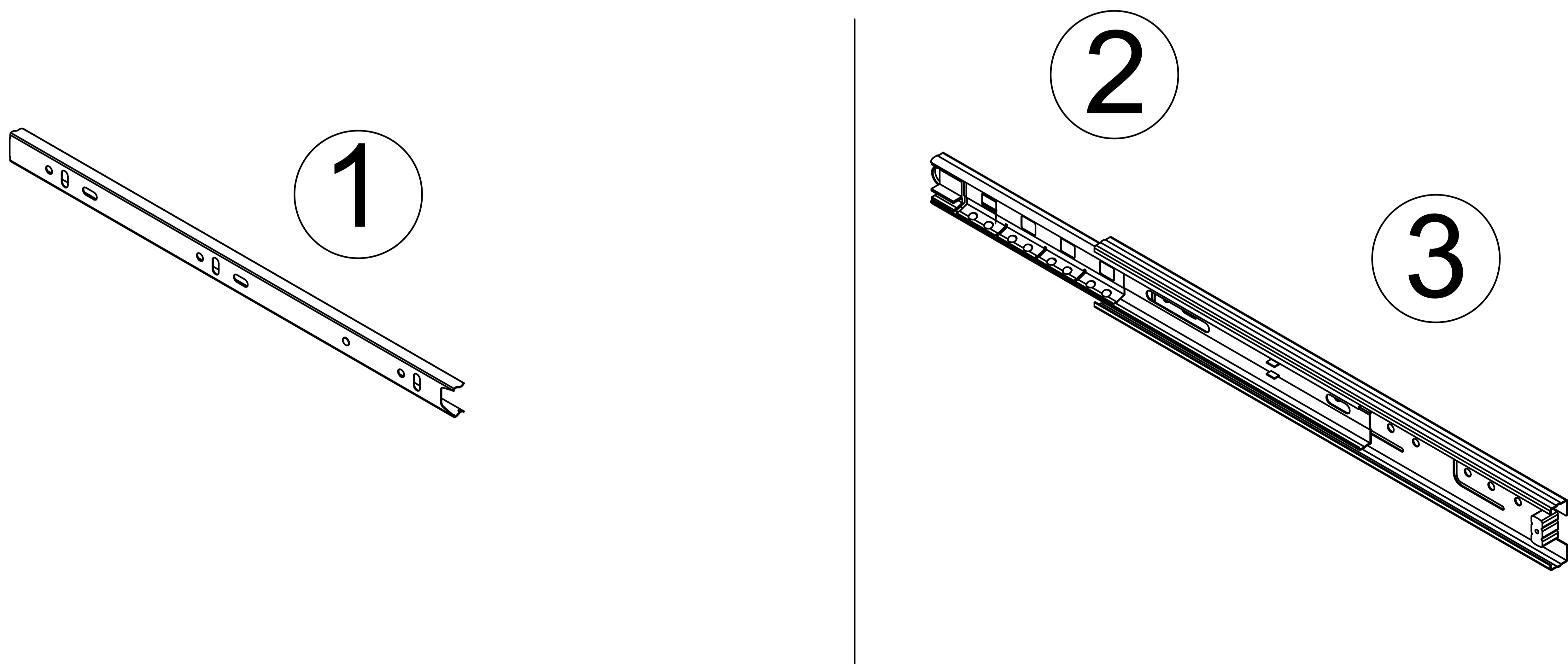
① Dismantle the schematic diagram

Step 1 : Pull the rails apart

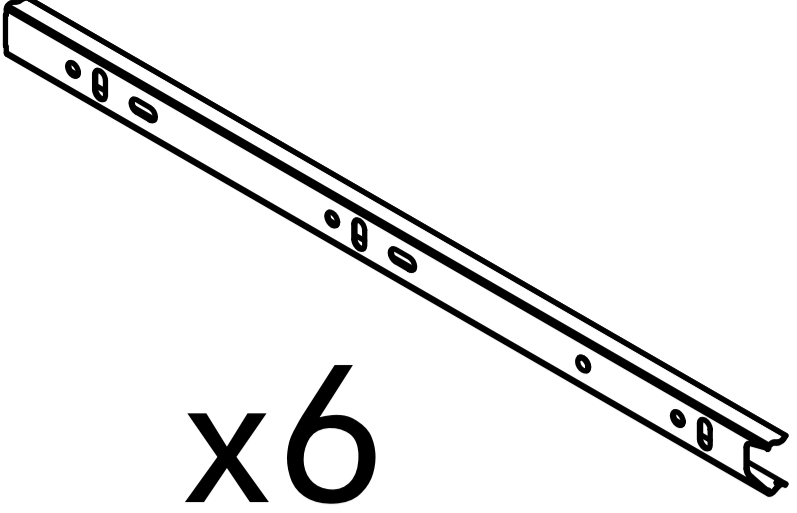
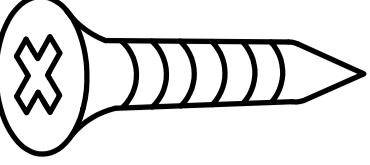


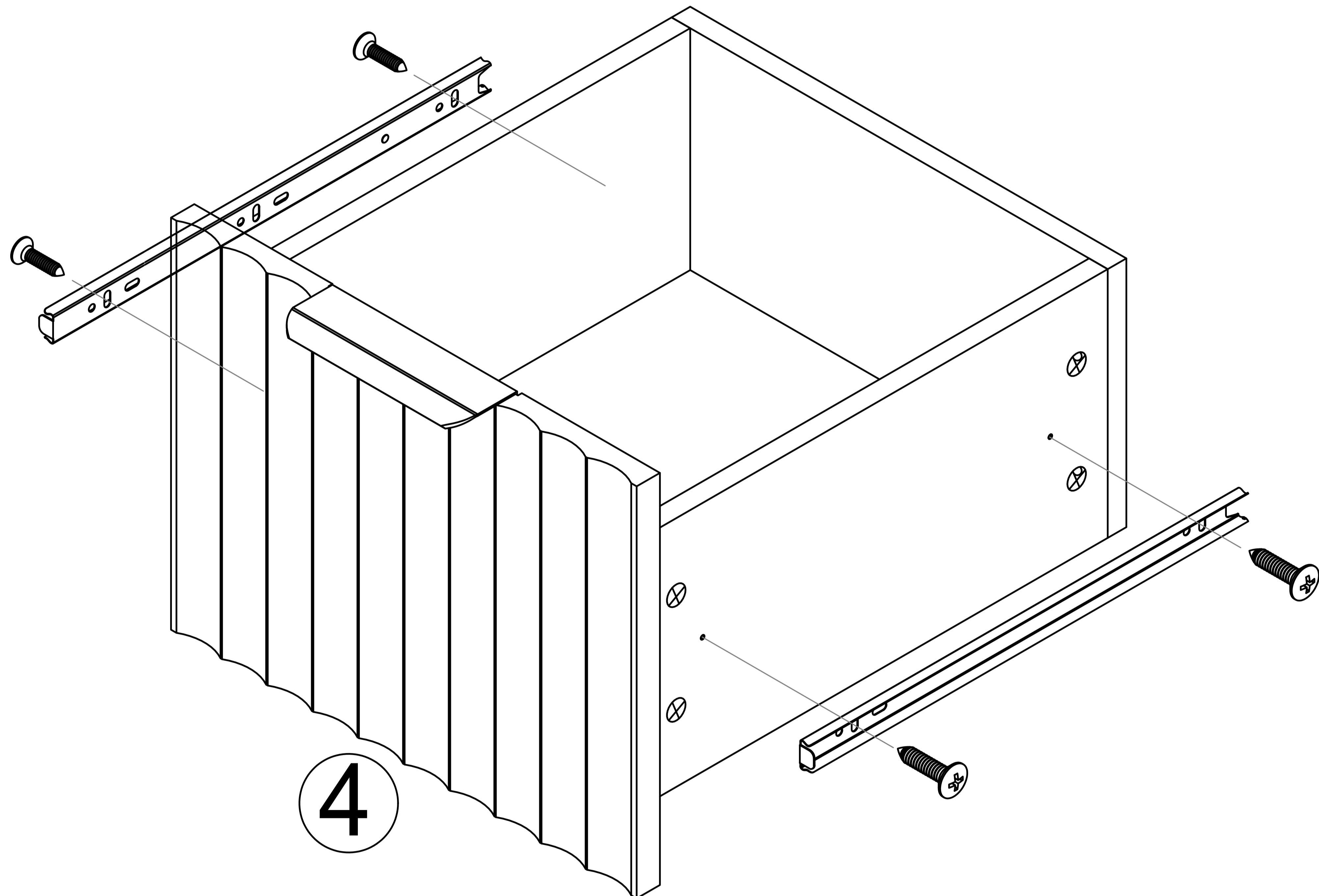
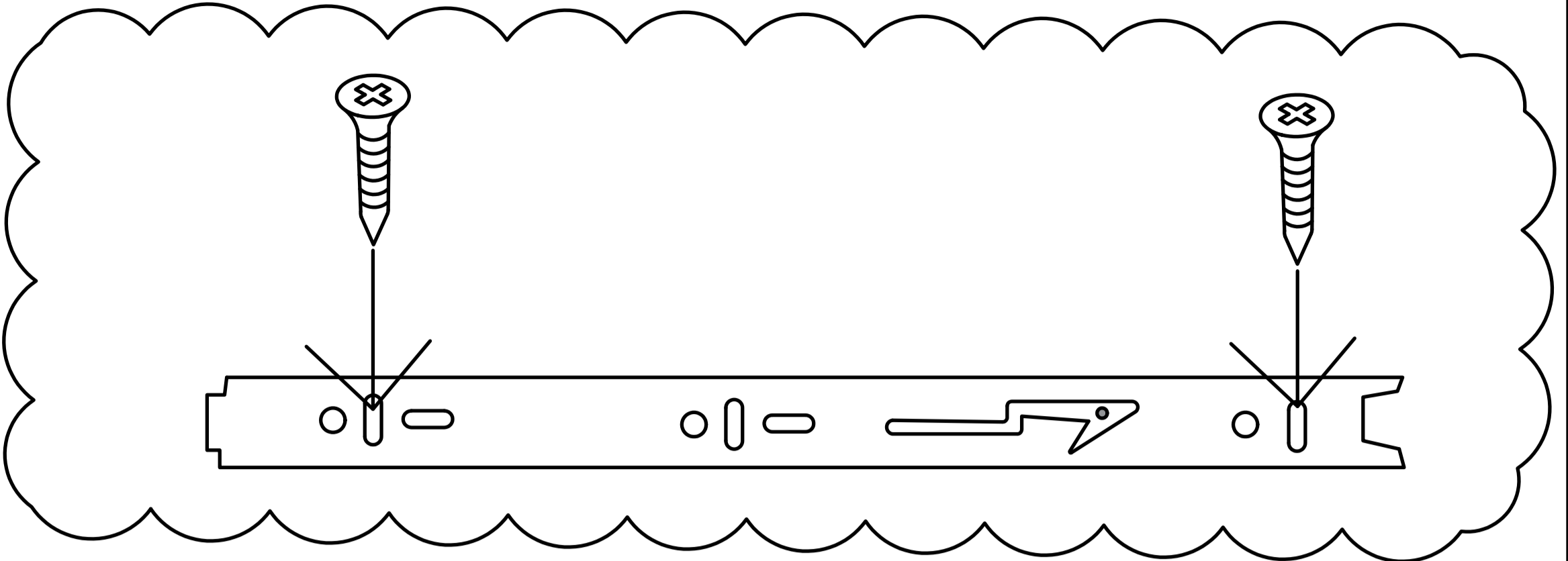
Step 2 : Press the nylon button and pull out ①.

Drawer rail decomposition completed schematic diagram



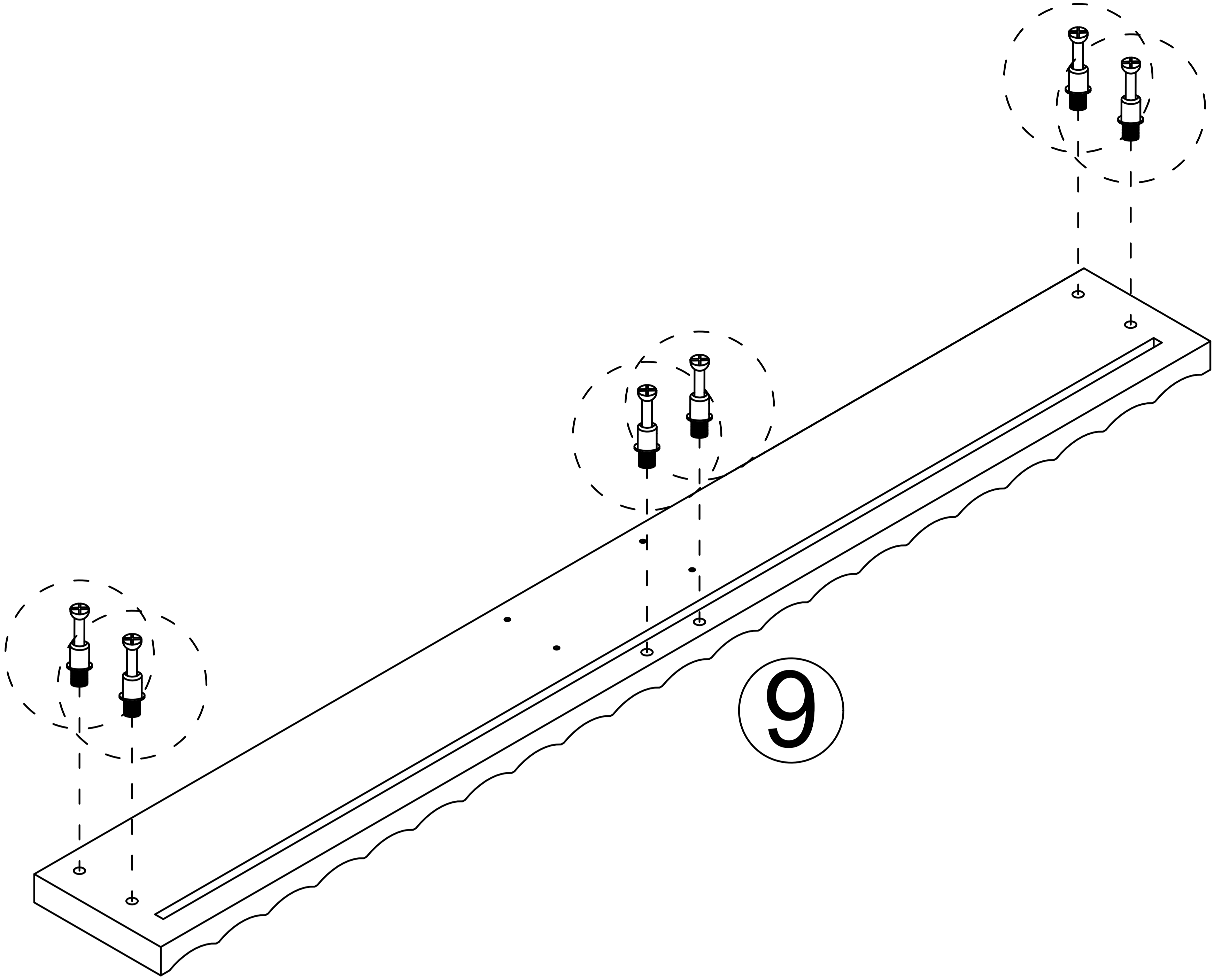
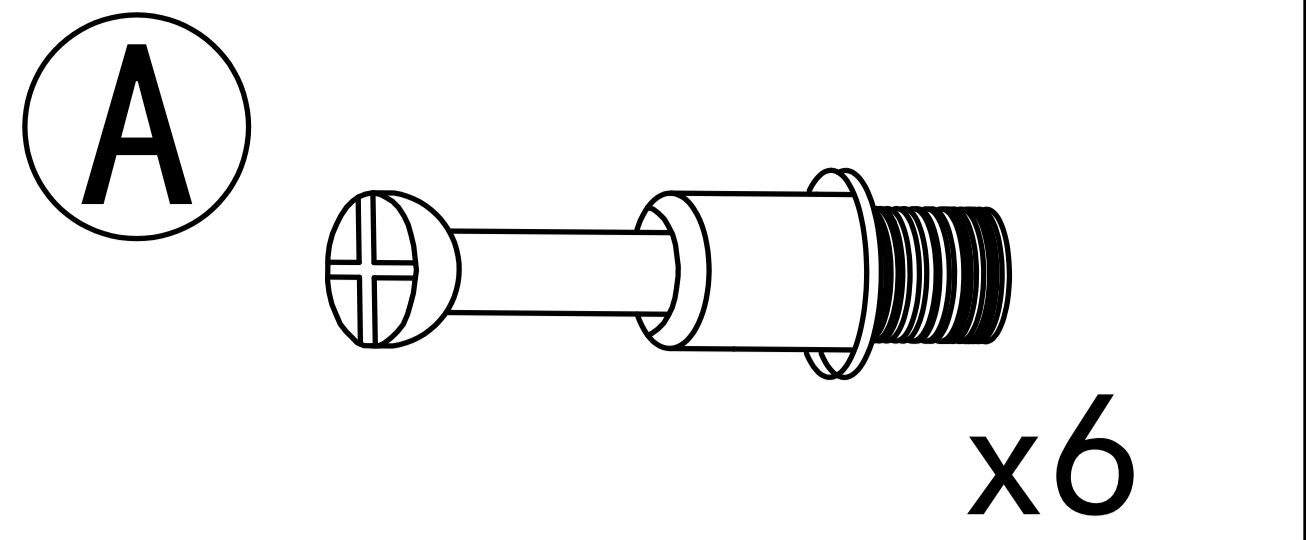
Step 8

E  
x6 x12

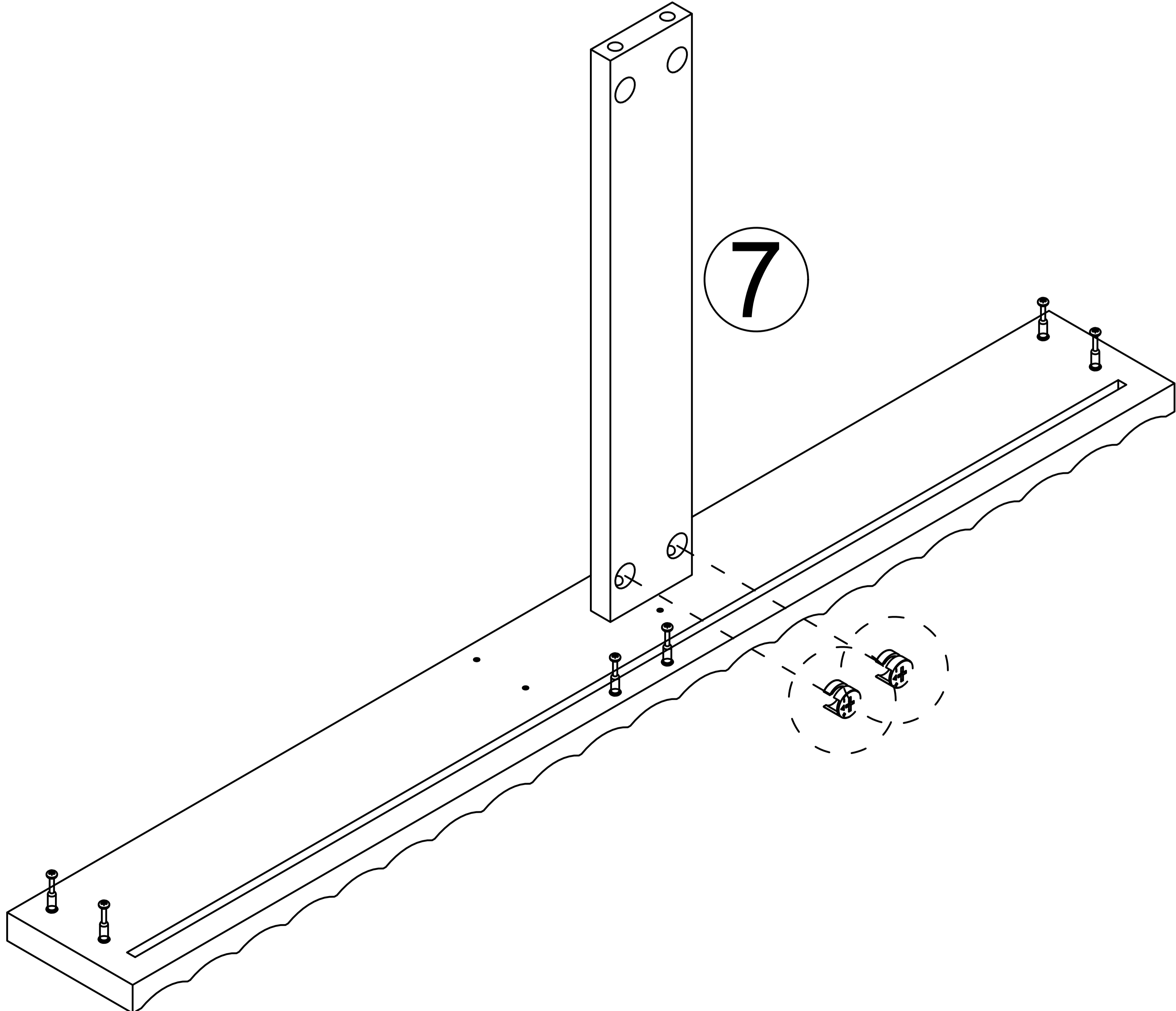
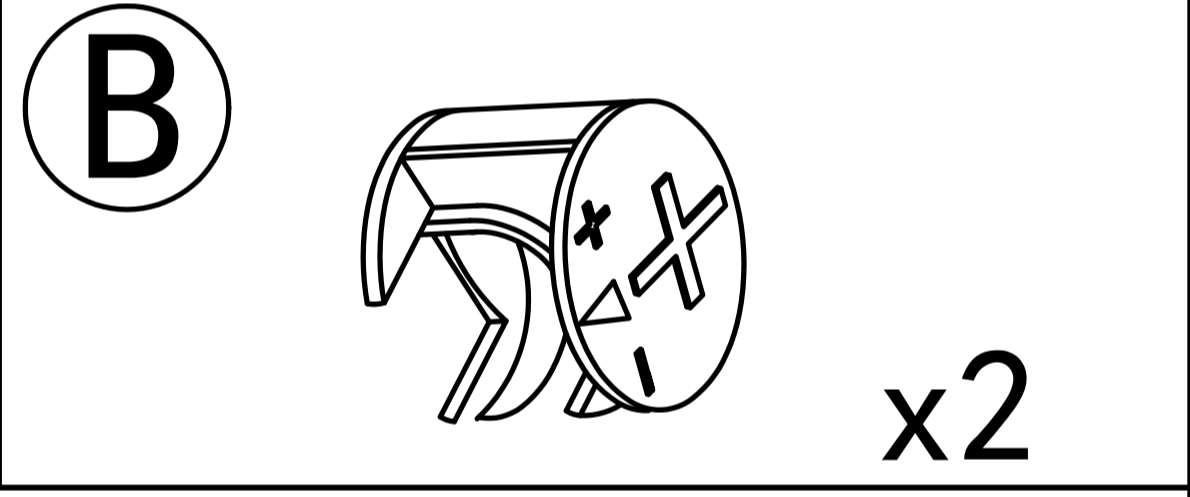


Steps and objects x3

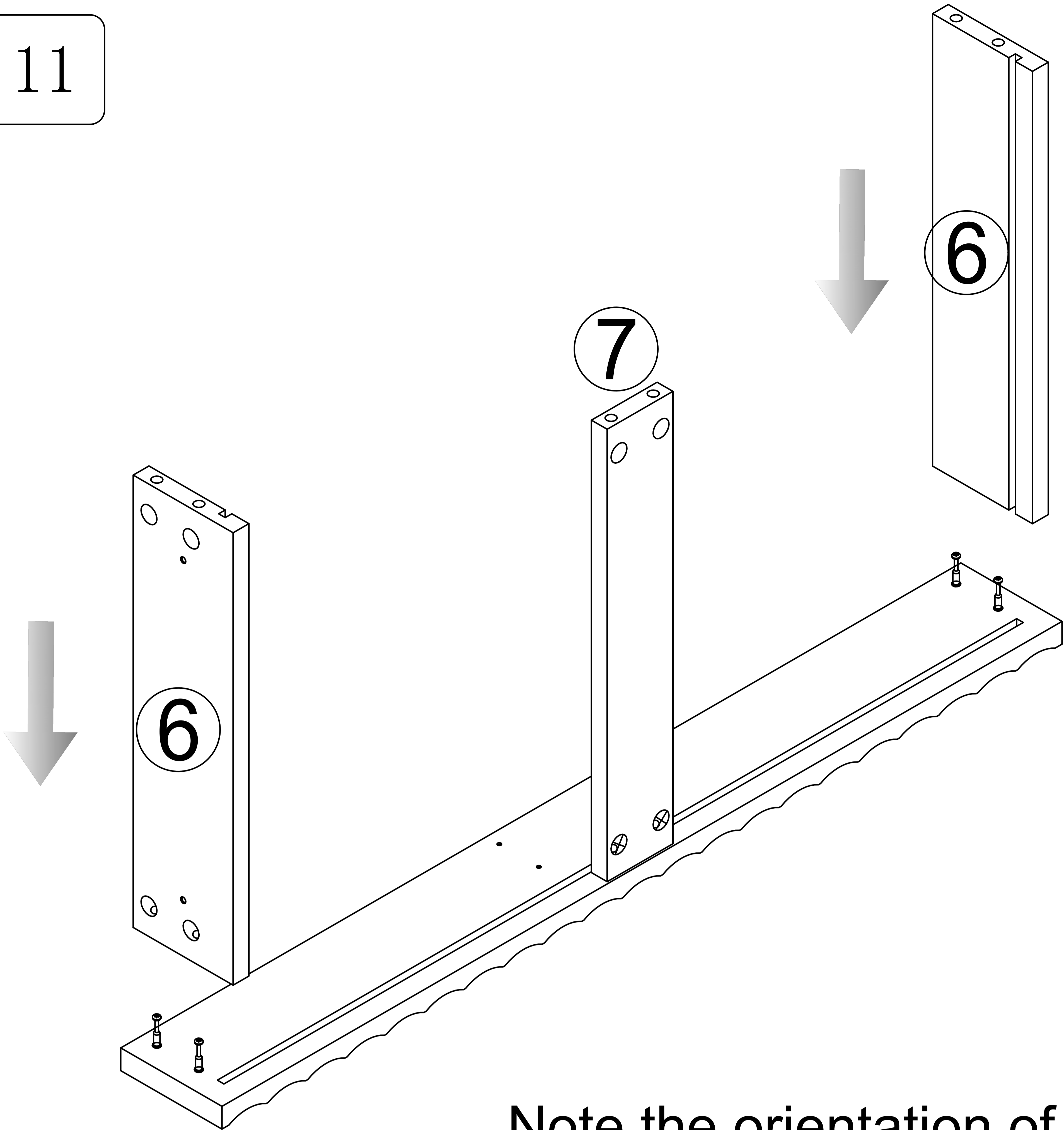
Step 9



Step 10

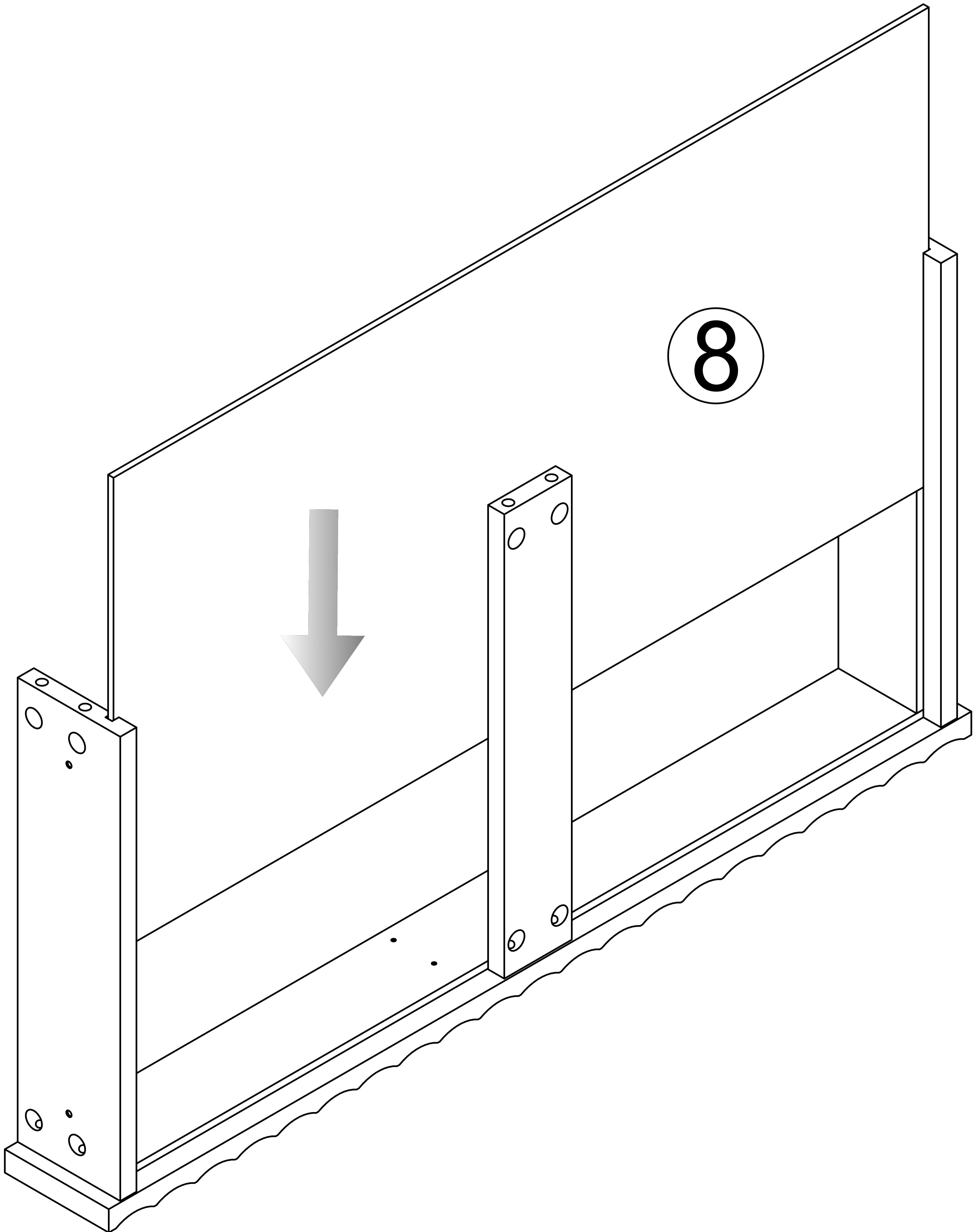


Step 11

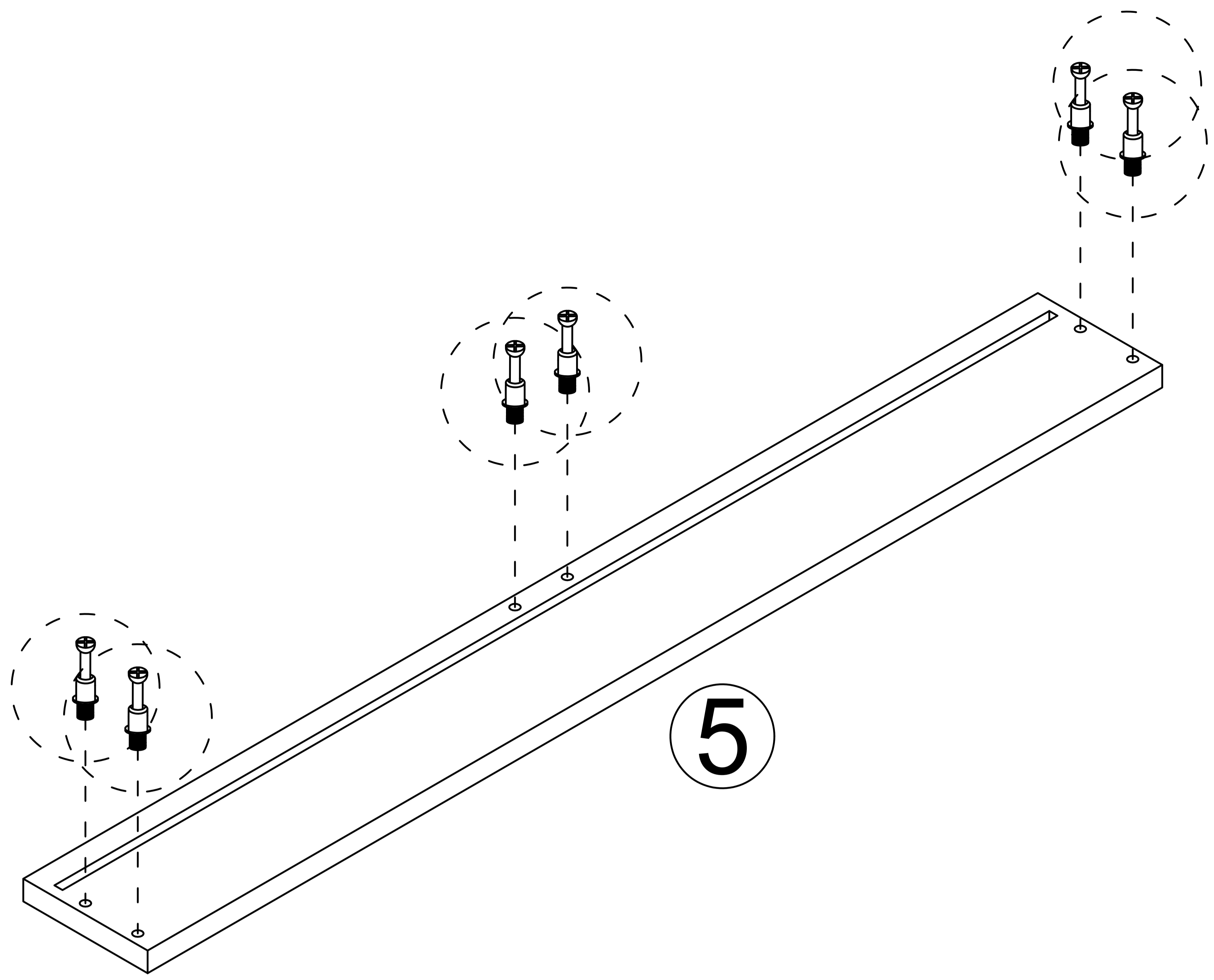
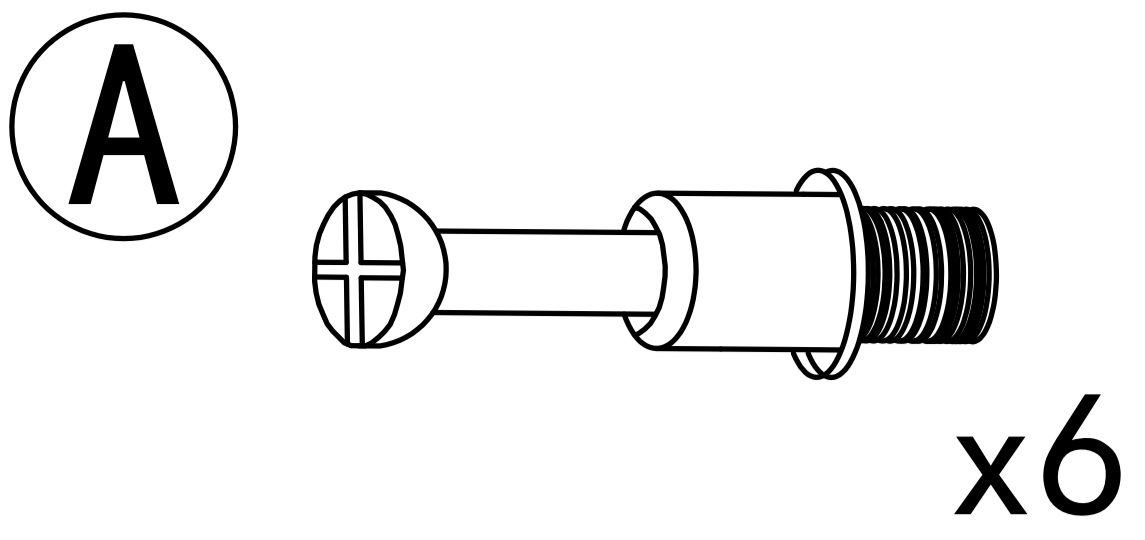


Note the orientation of the card slot

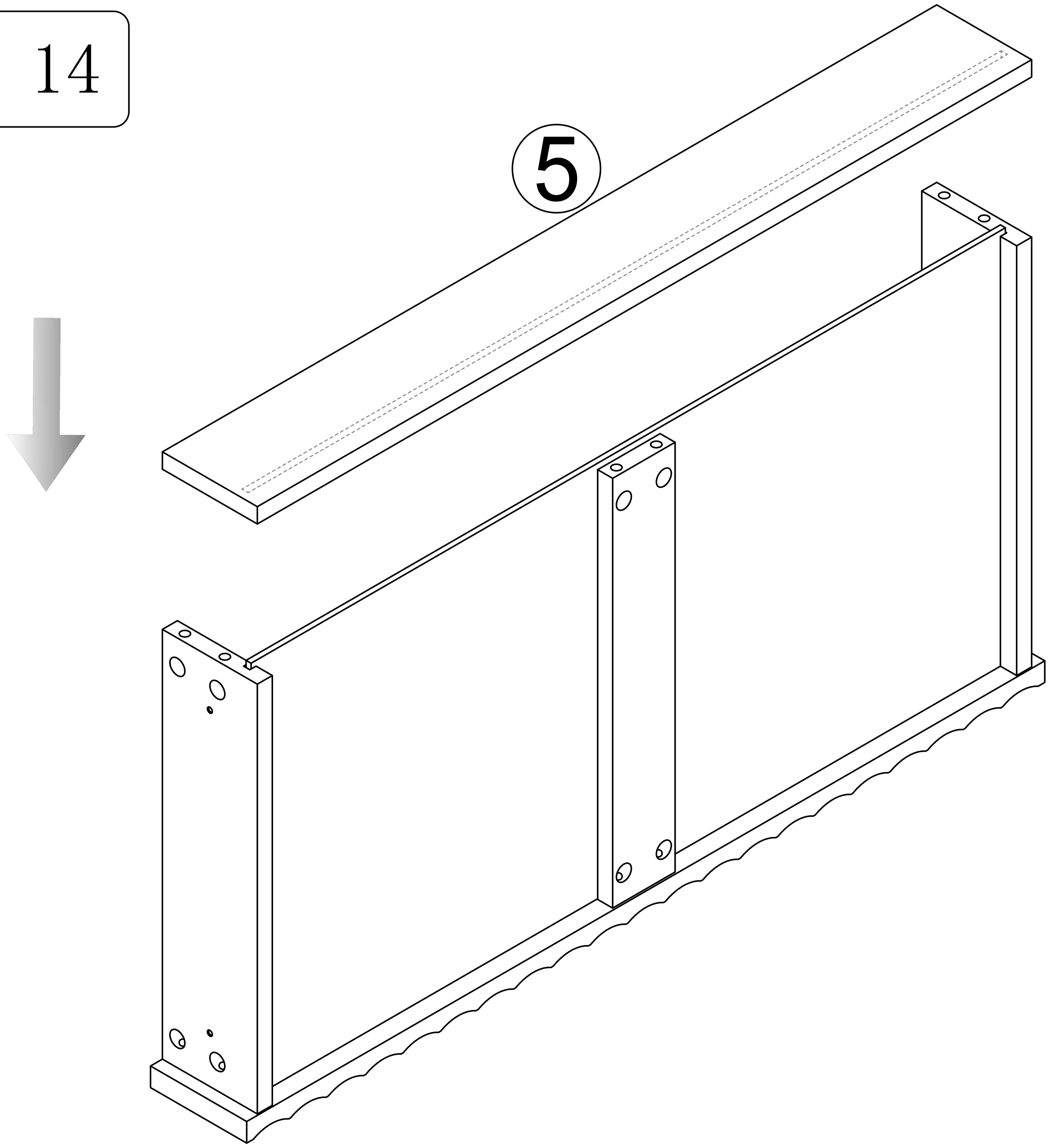
Step 12



Step 13



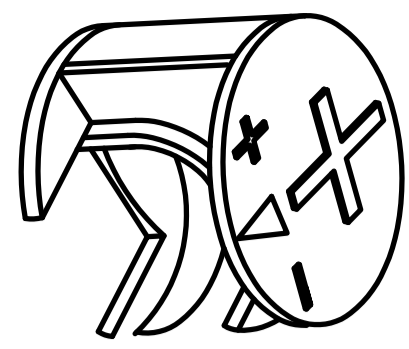
Step 14



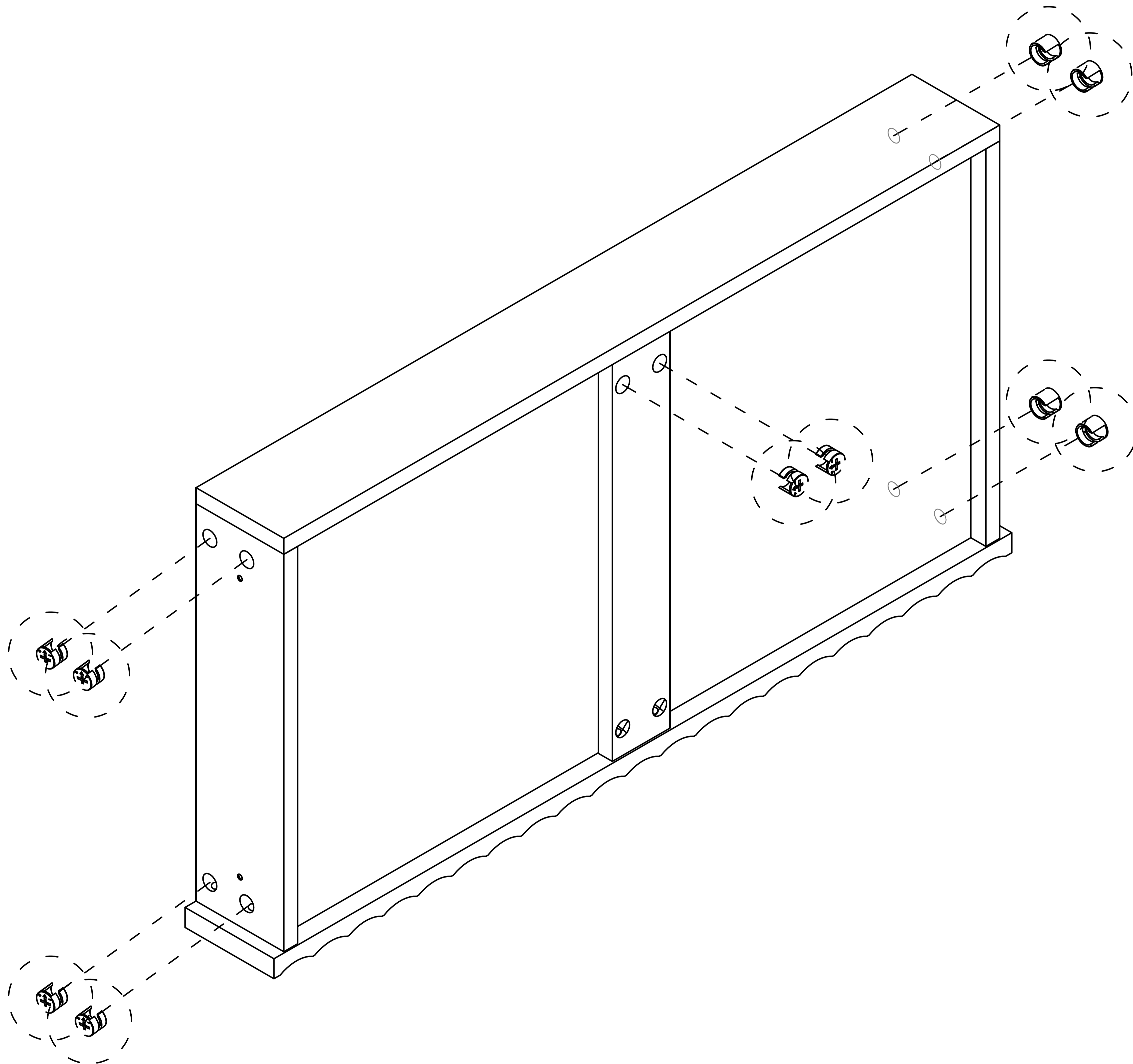
Note the orientation of the card slot

Step 15

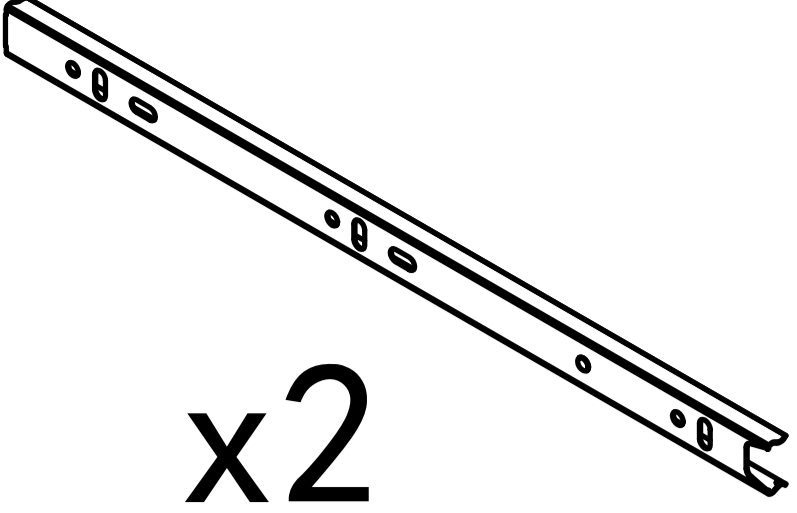
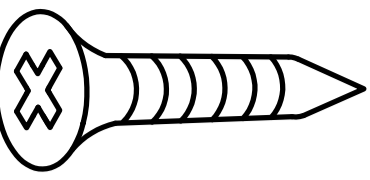
B

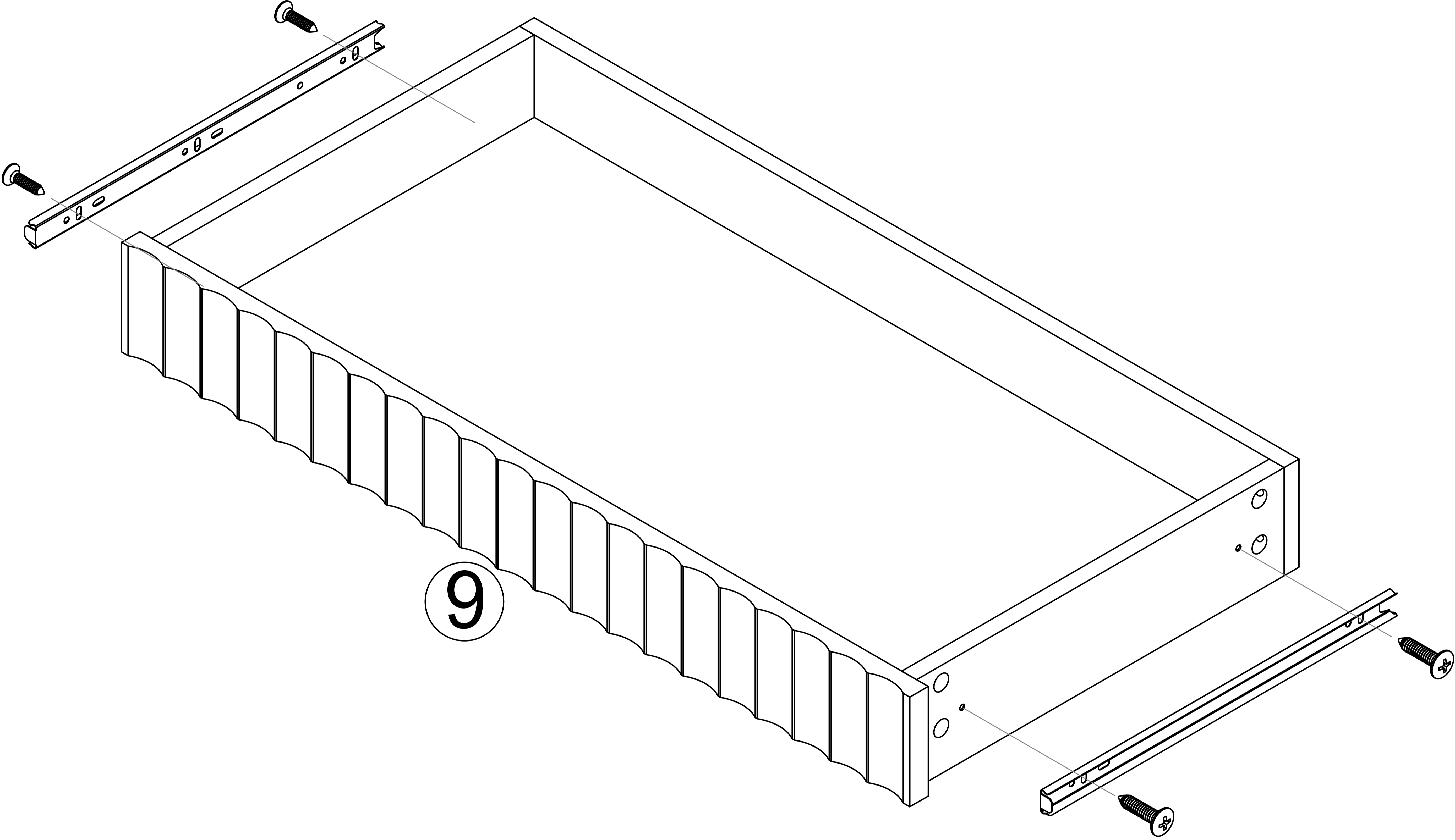
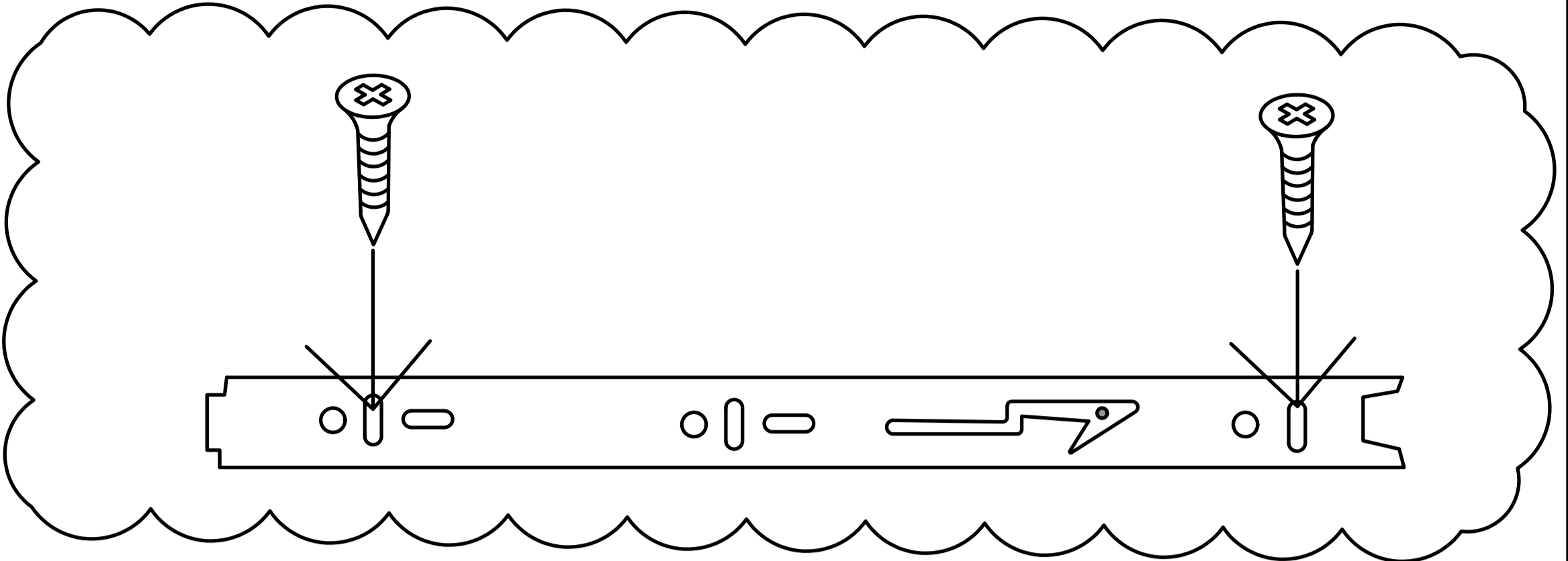


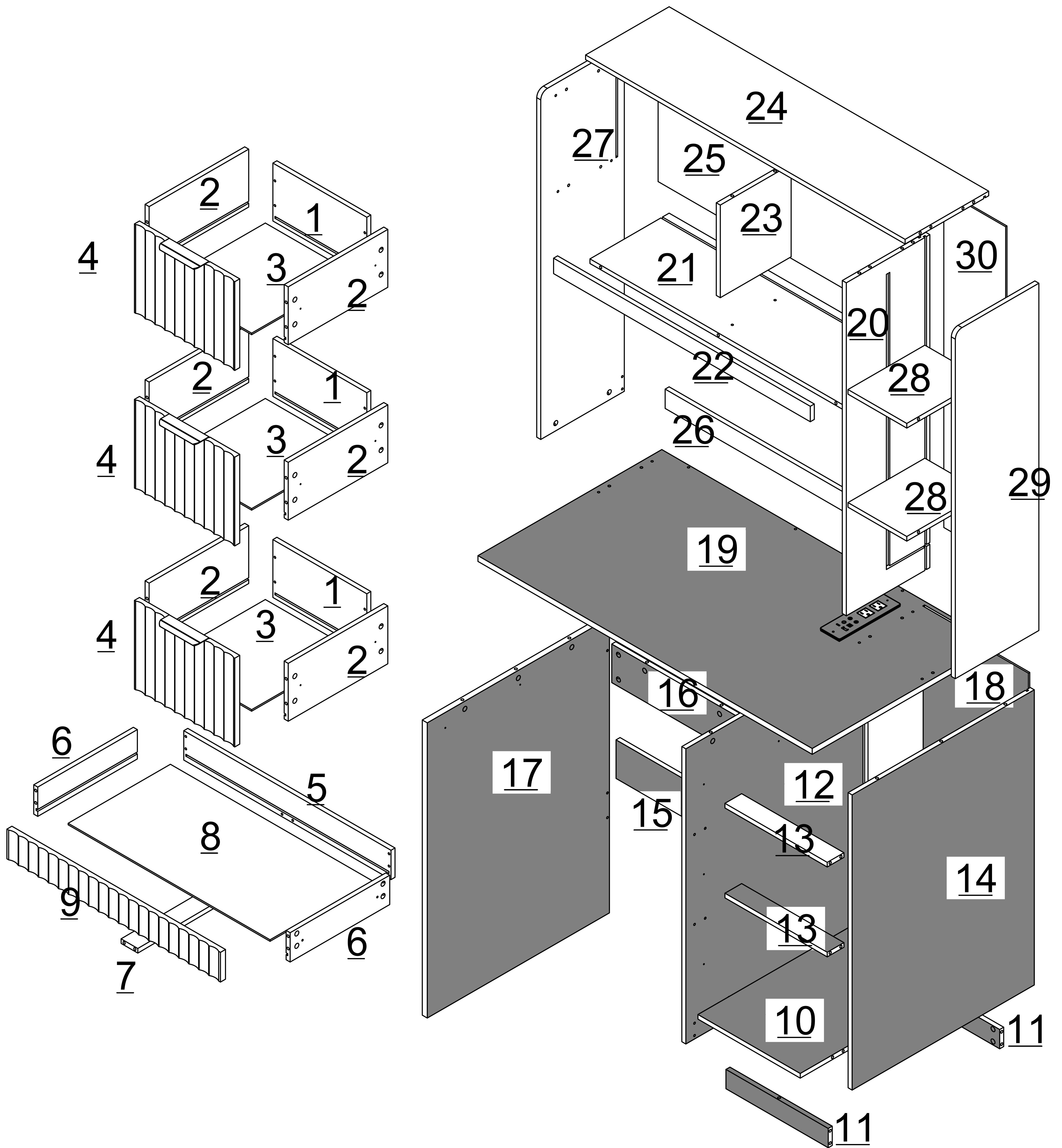
x10



Step 16

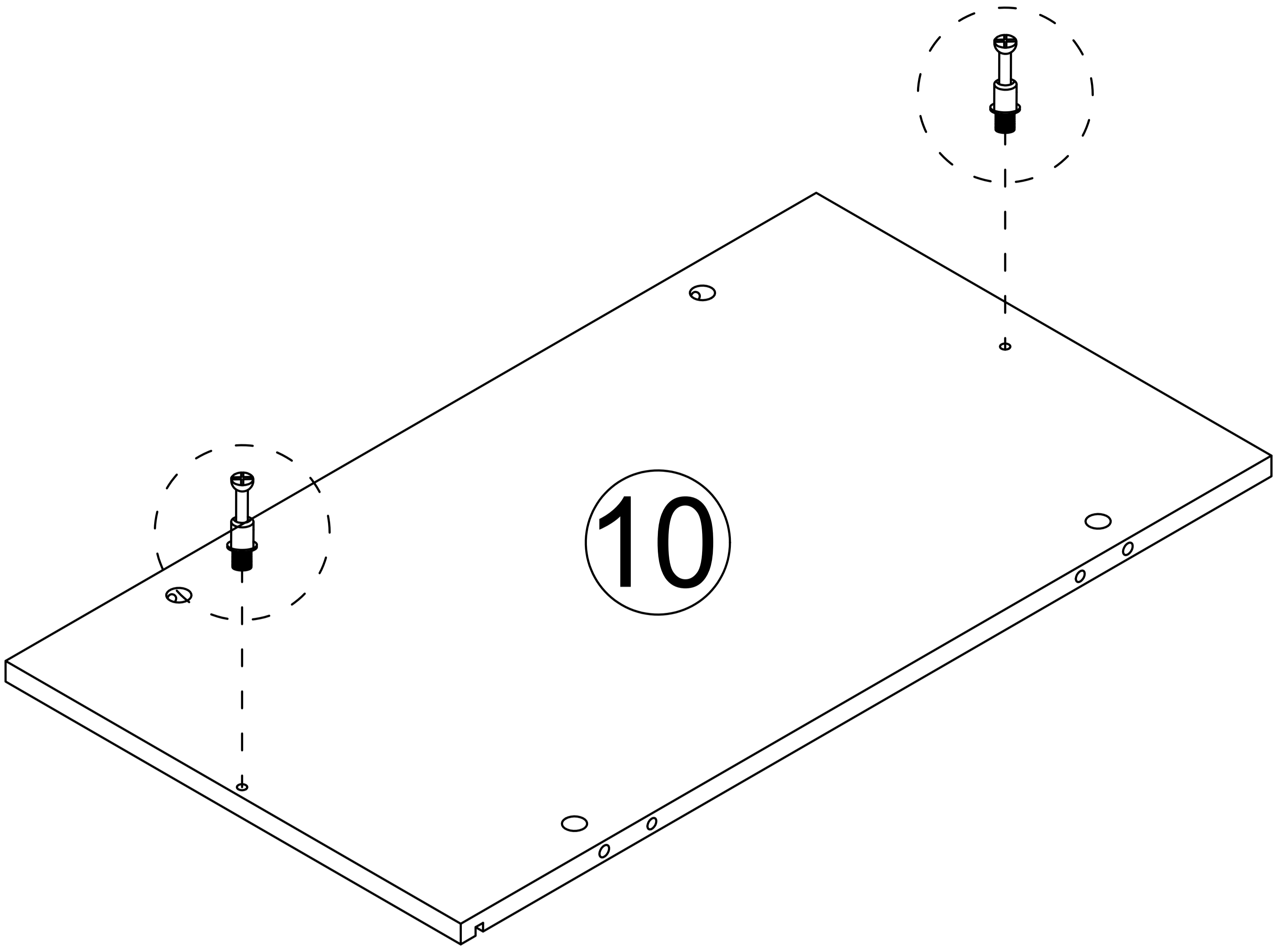
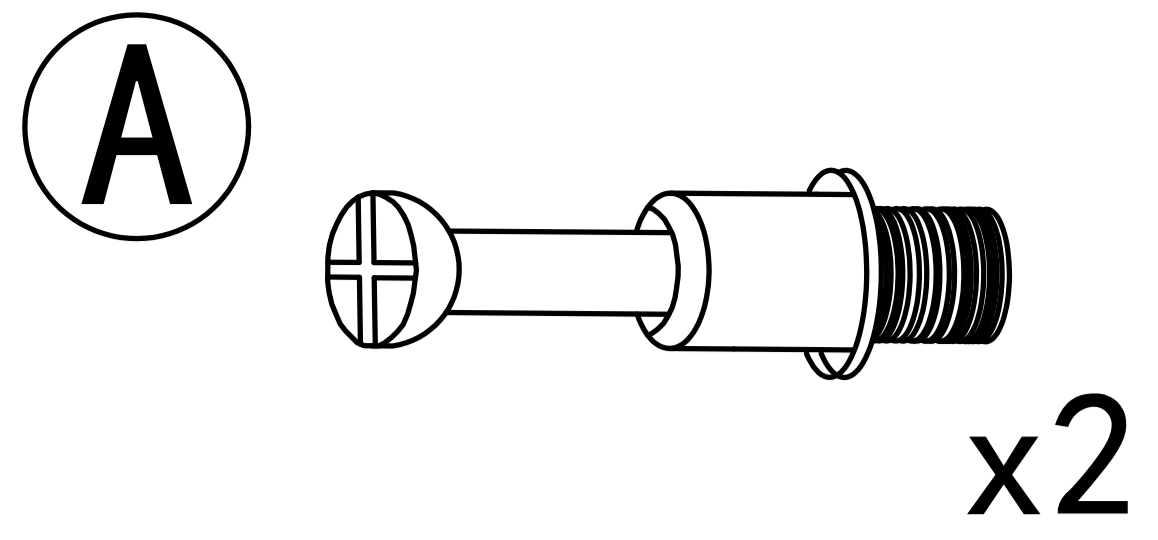
E  
x2 x4



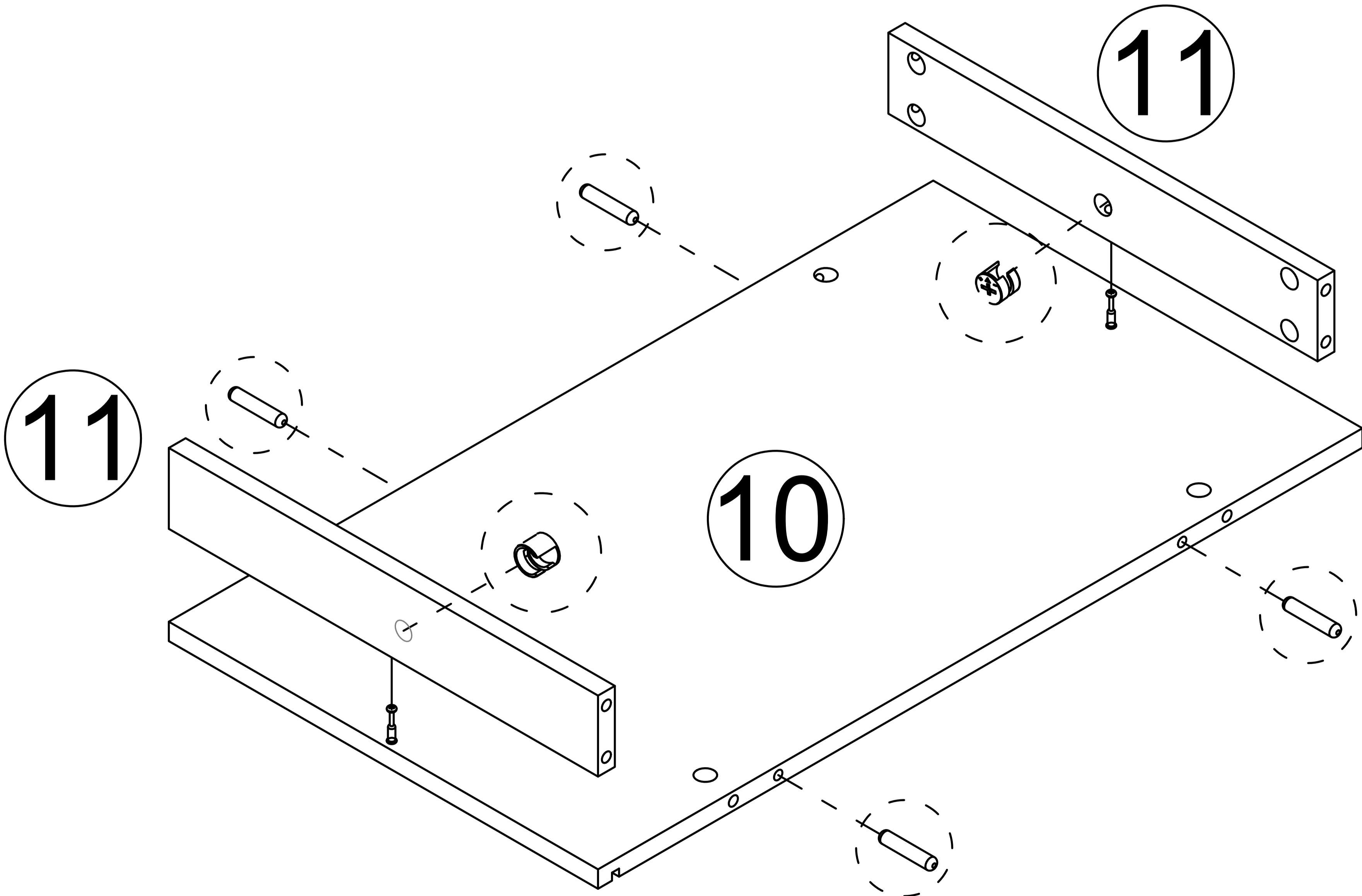
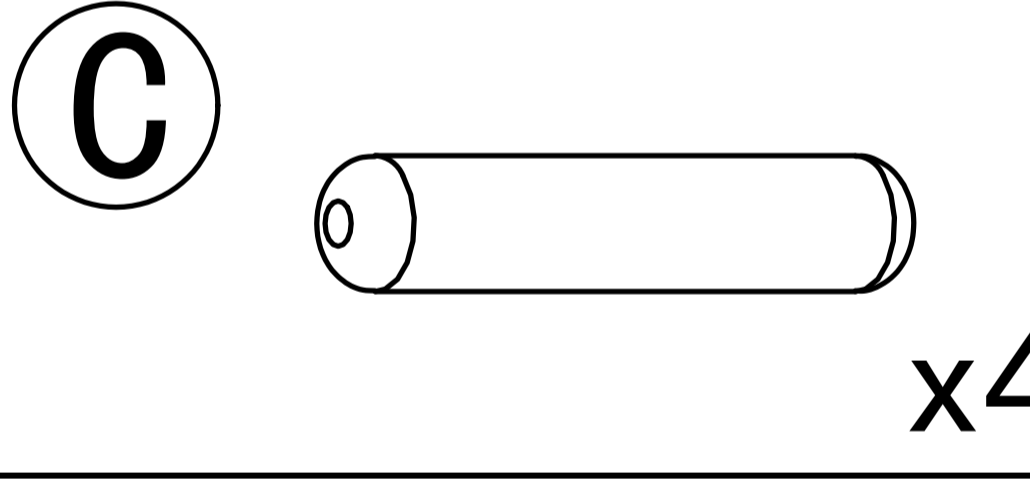
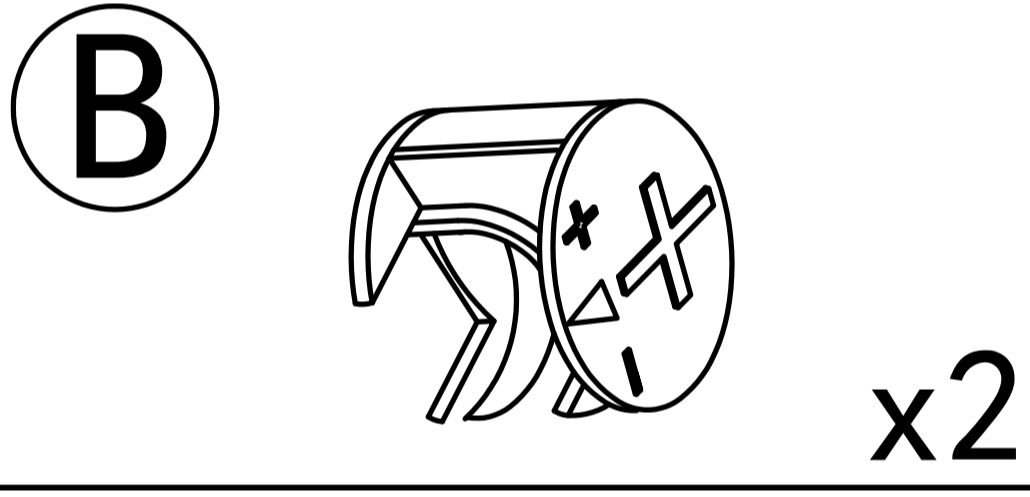


Product structure decomposition

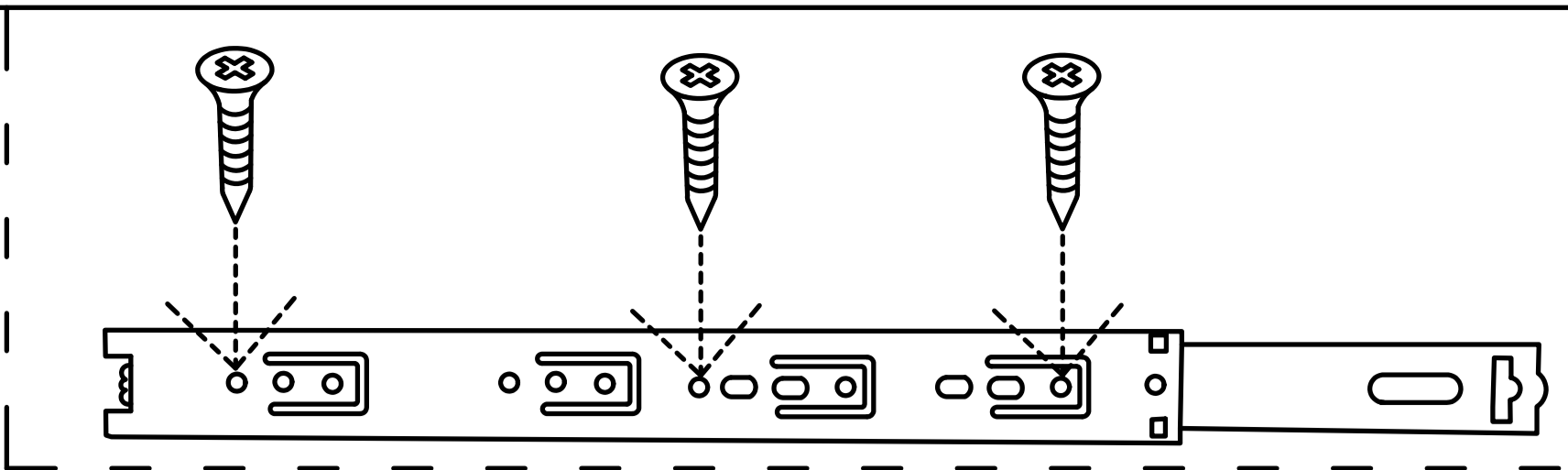
Step 17



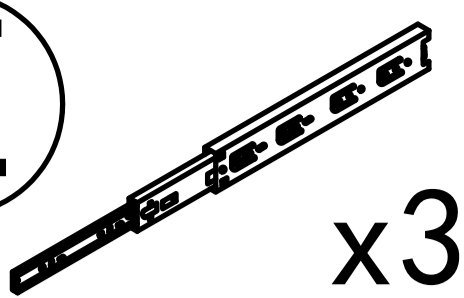
Step 18



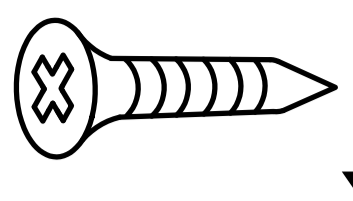
Step 19



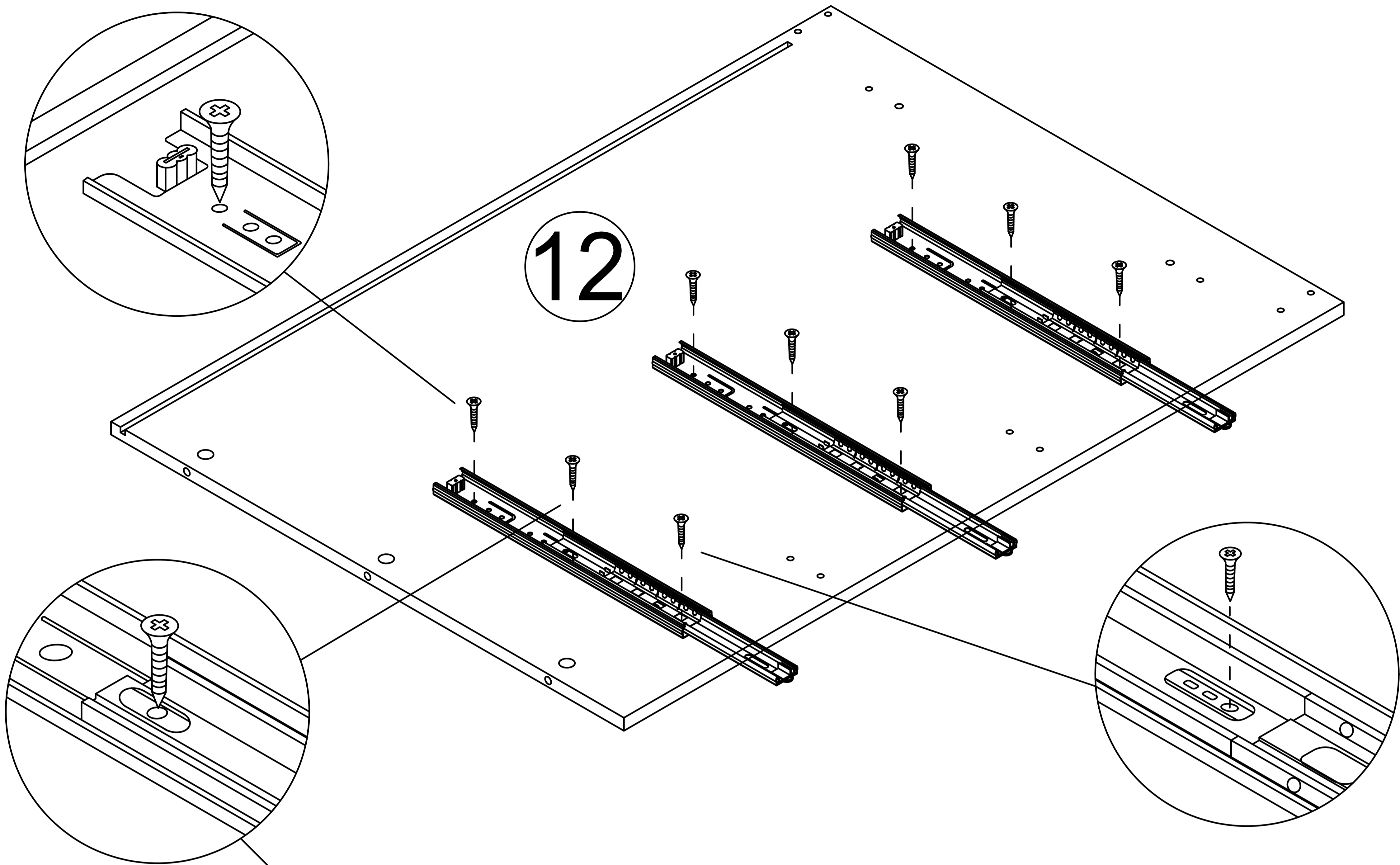
E



x3



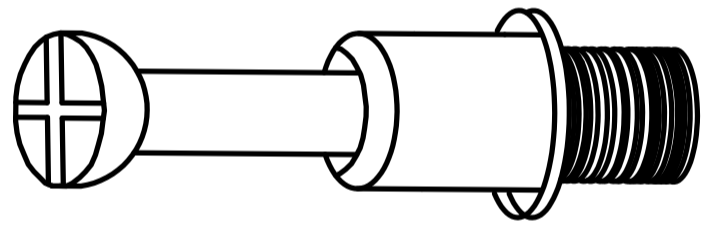
x9



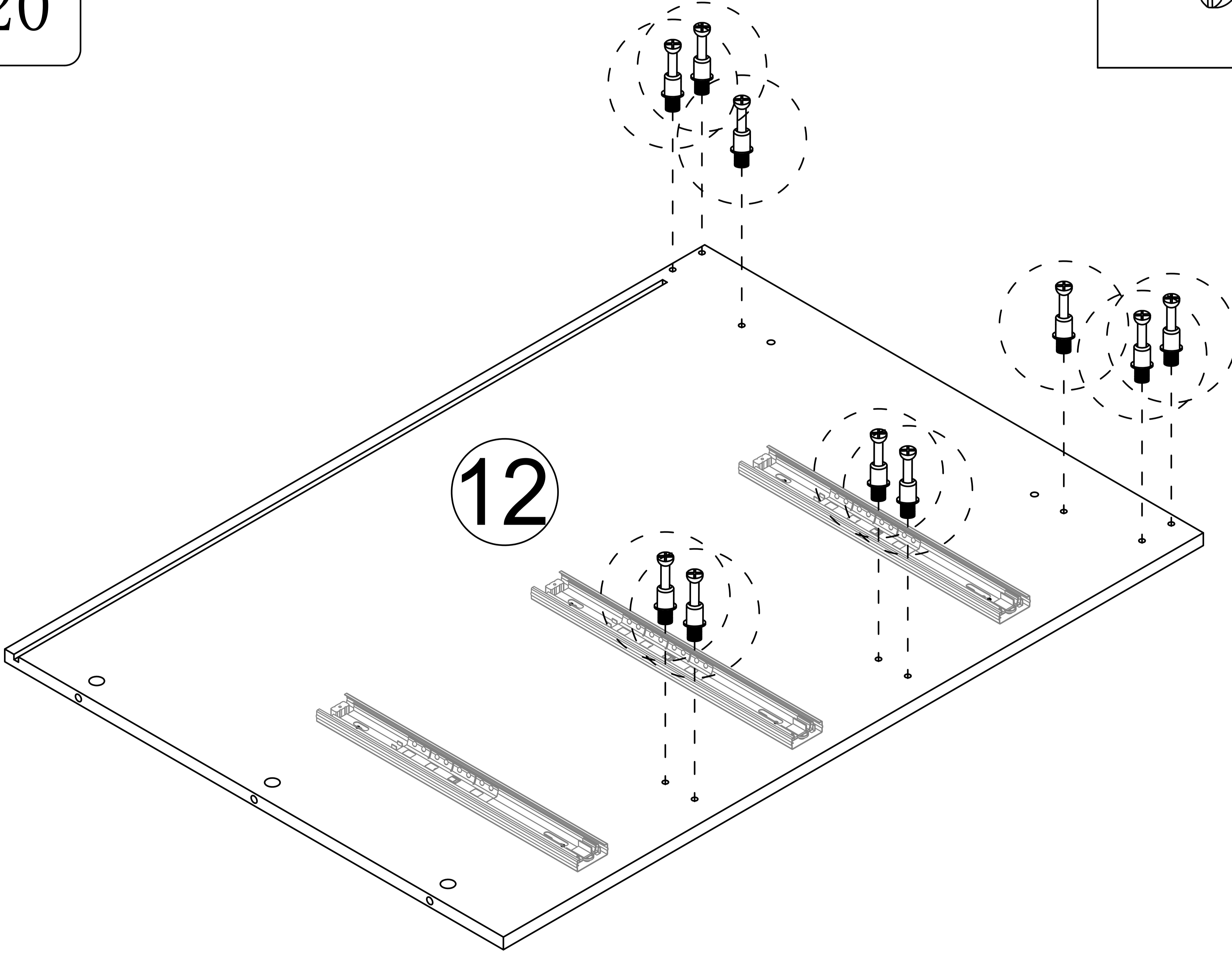
This hole is for strengthening fixed hole customers can choose to install according to their needs.

Step 20

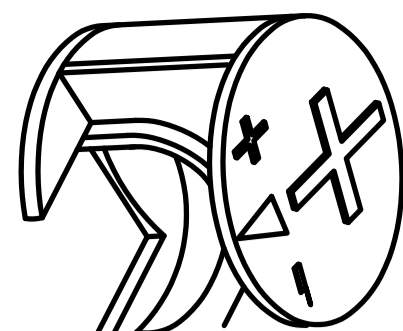
A

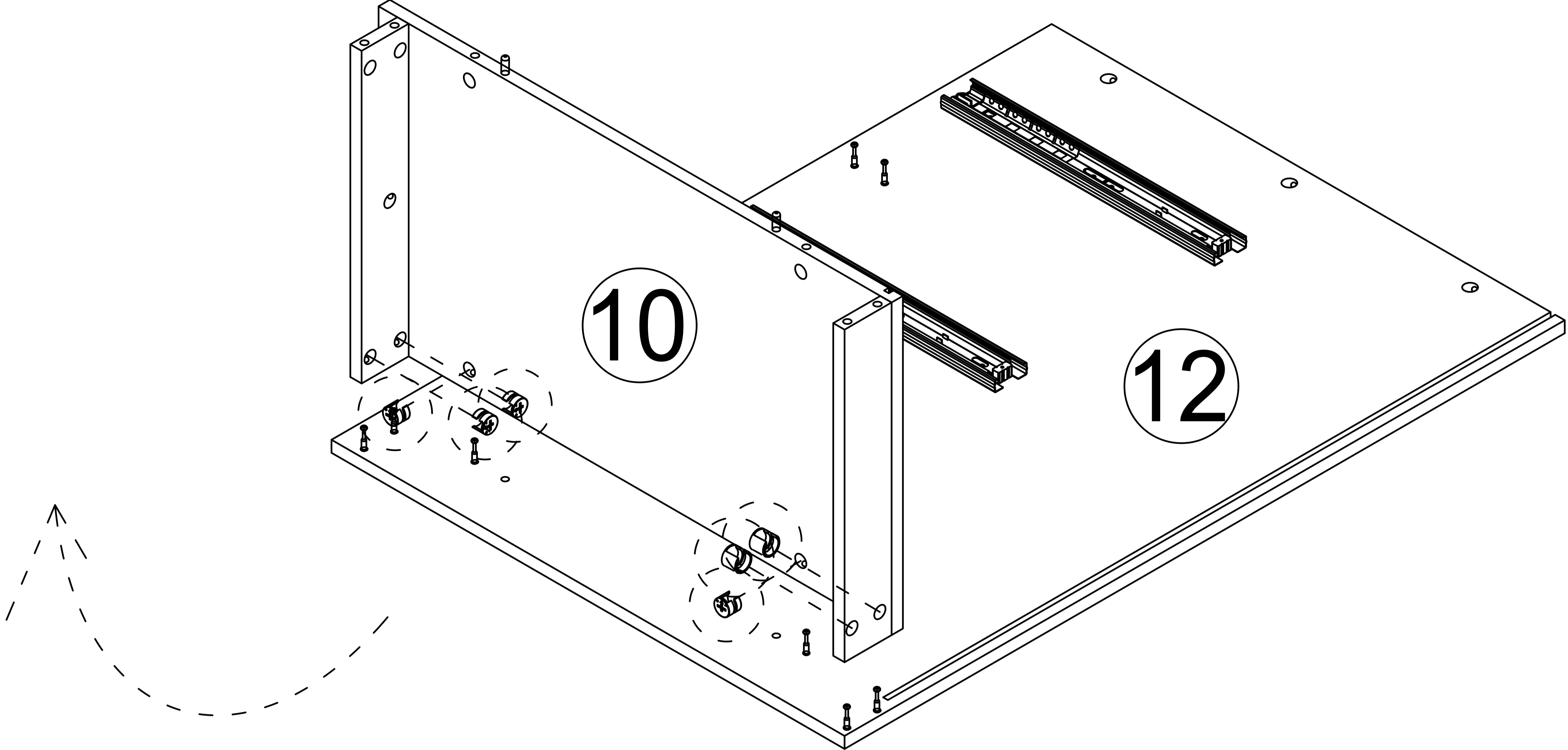


x10



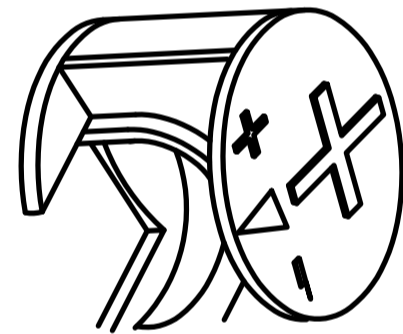
Step 21

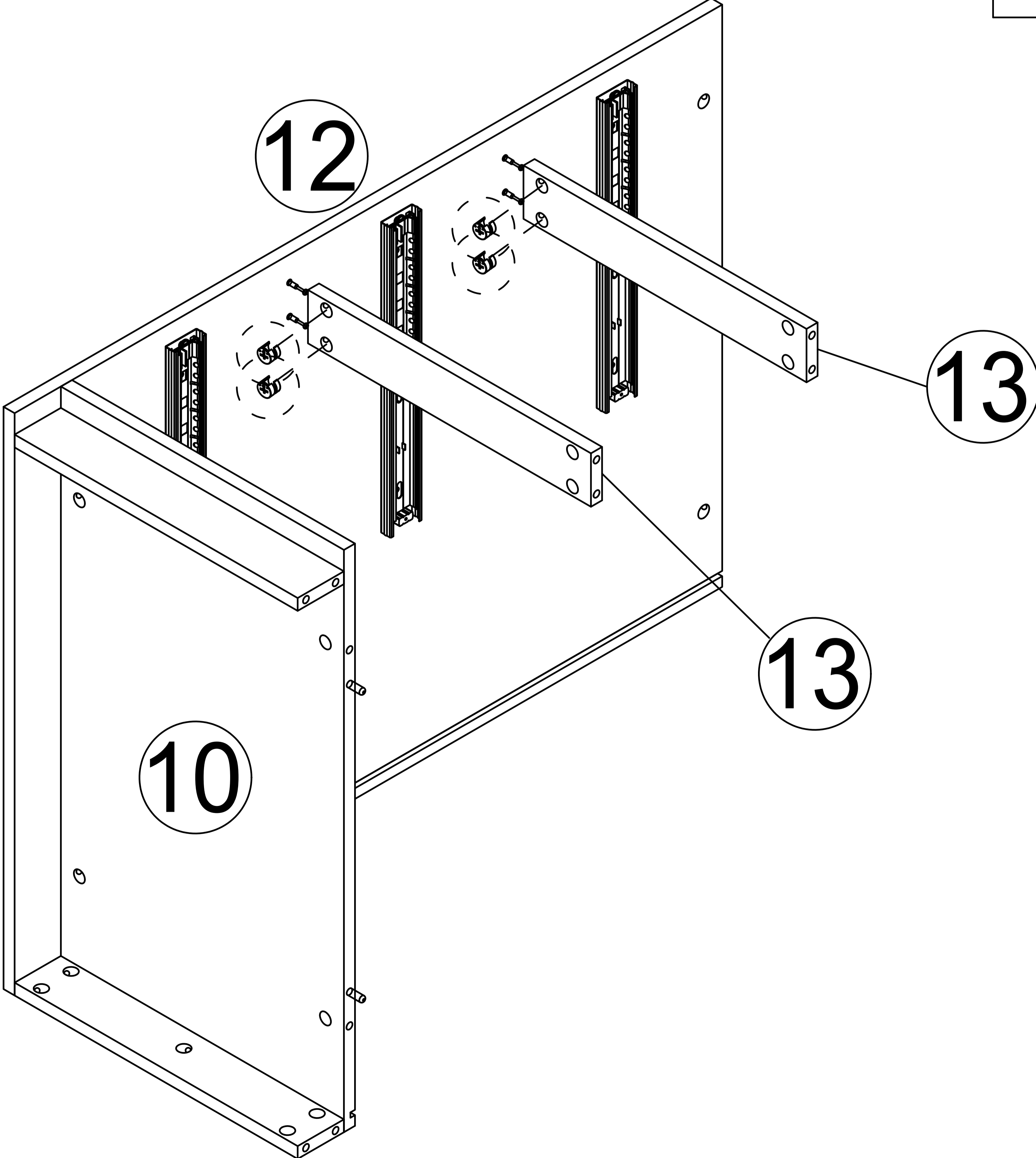
(B)  x6



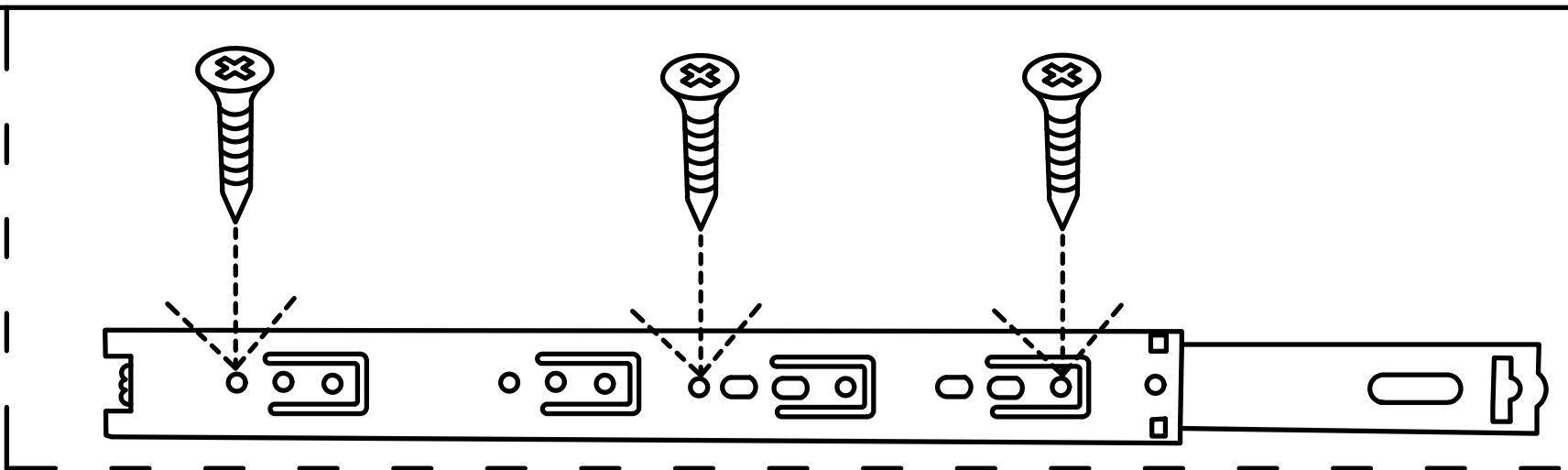
Note the orientation of the card slot

Step 22

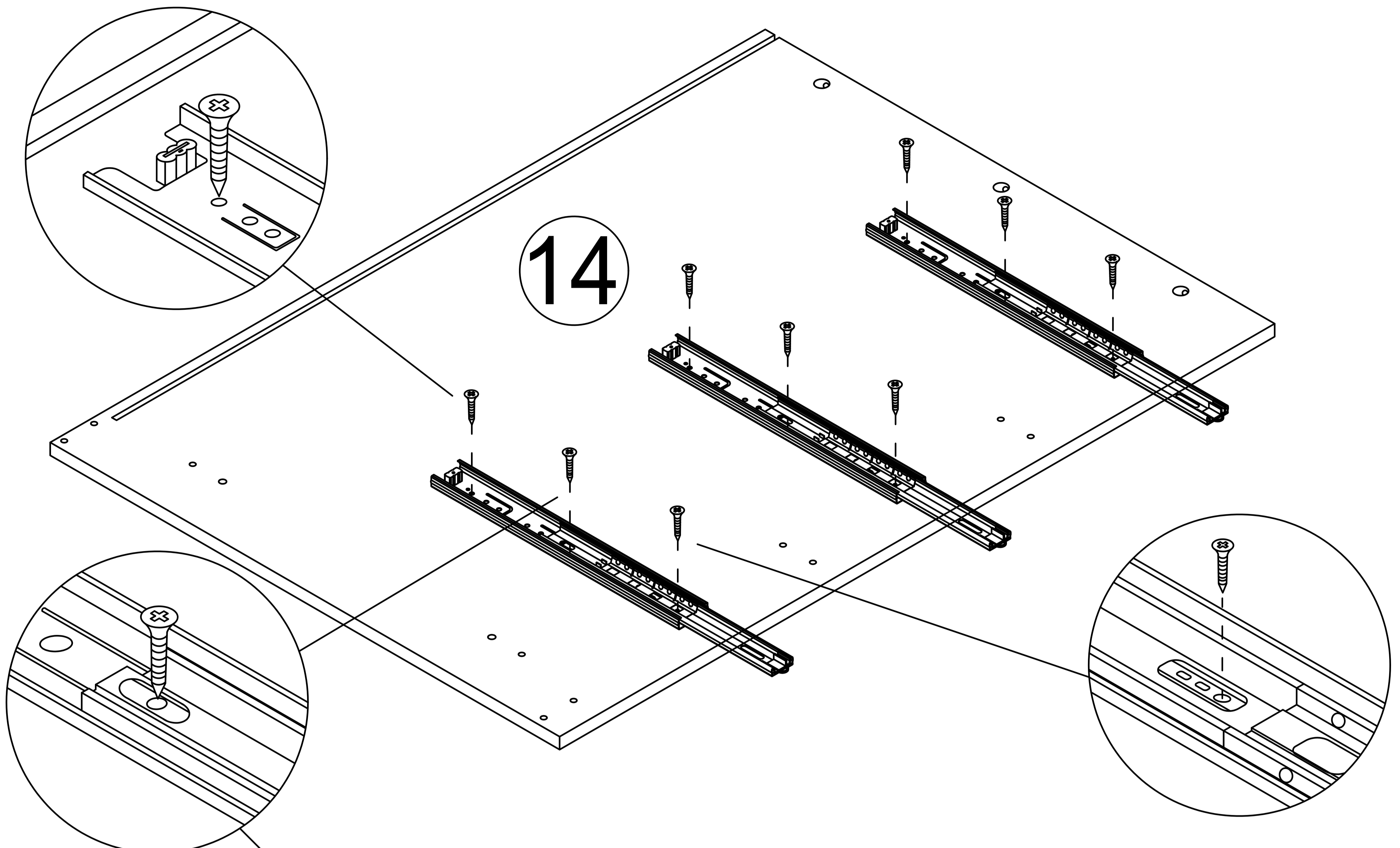
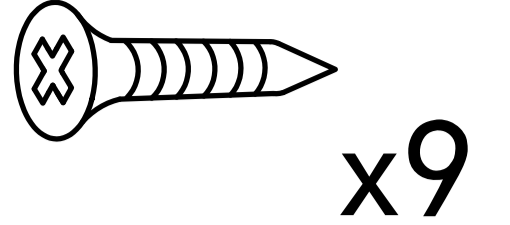
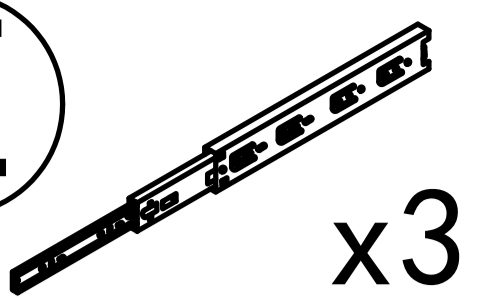
(B)  x4



Step 23



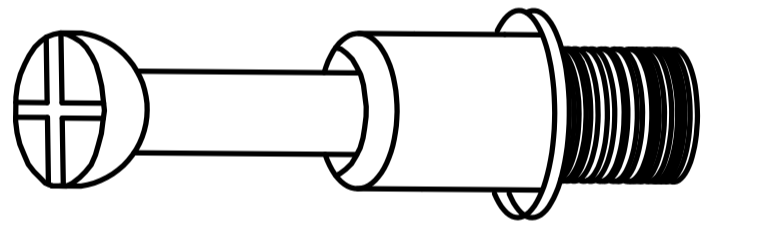
E



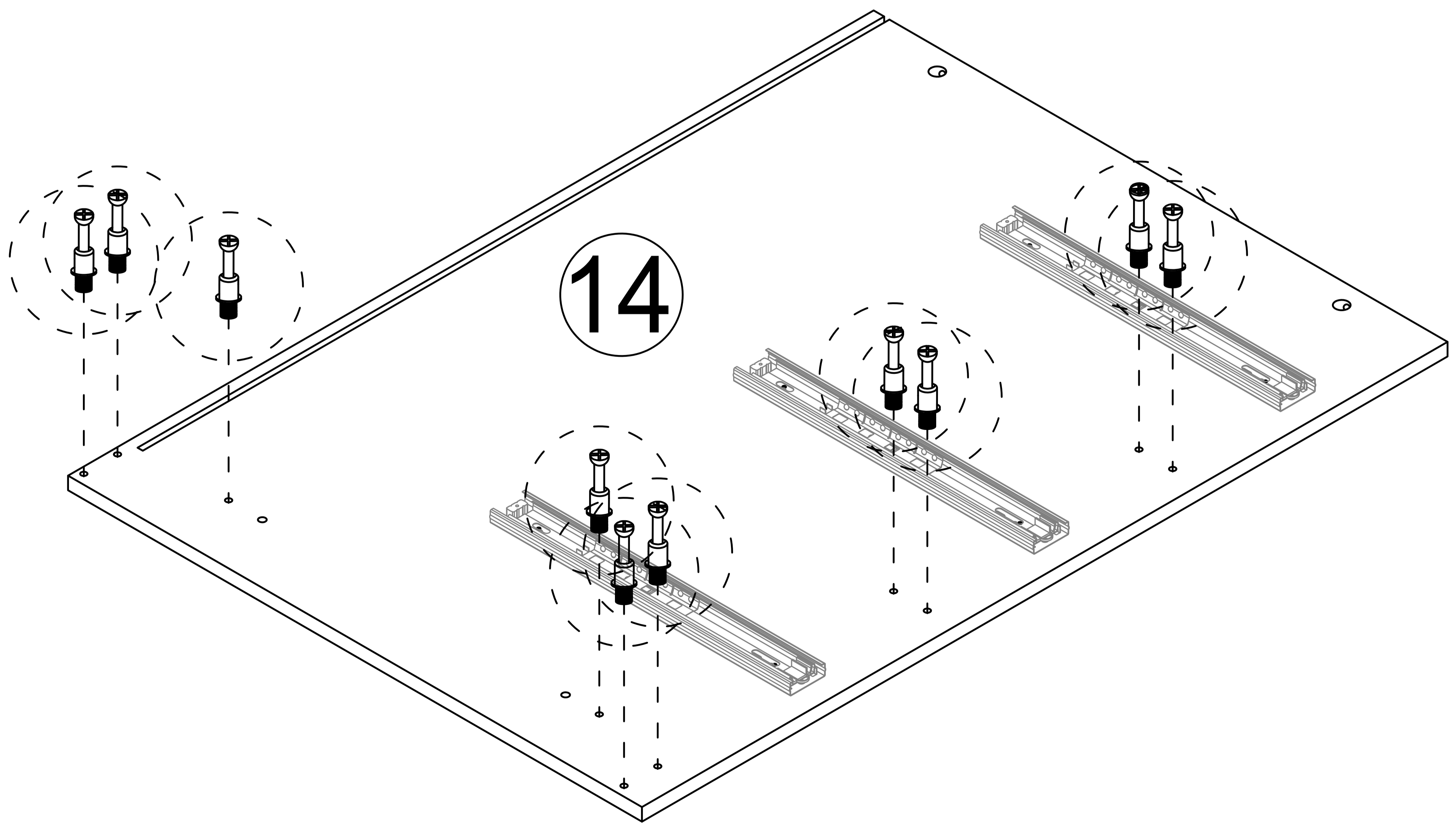
This hole is for strengthening fixed hole customers can choose to install according to their needs.

Step 24

A

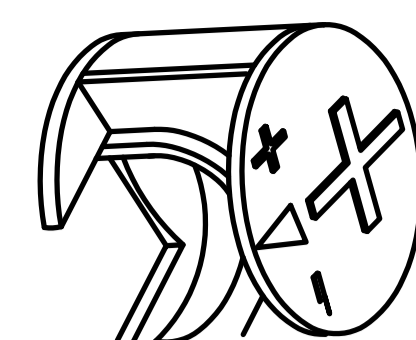


x10

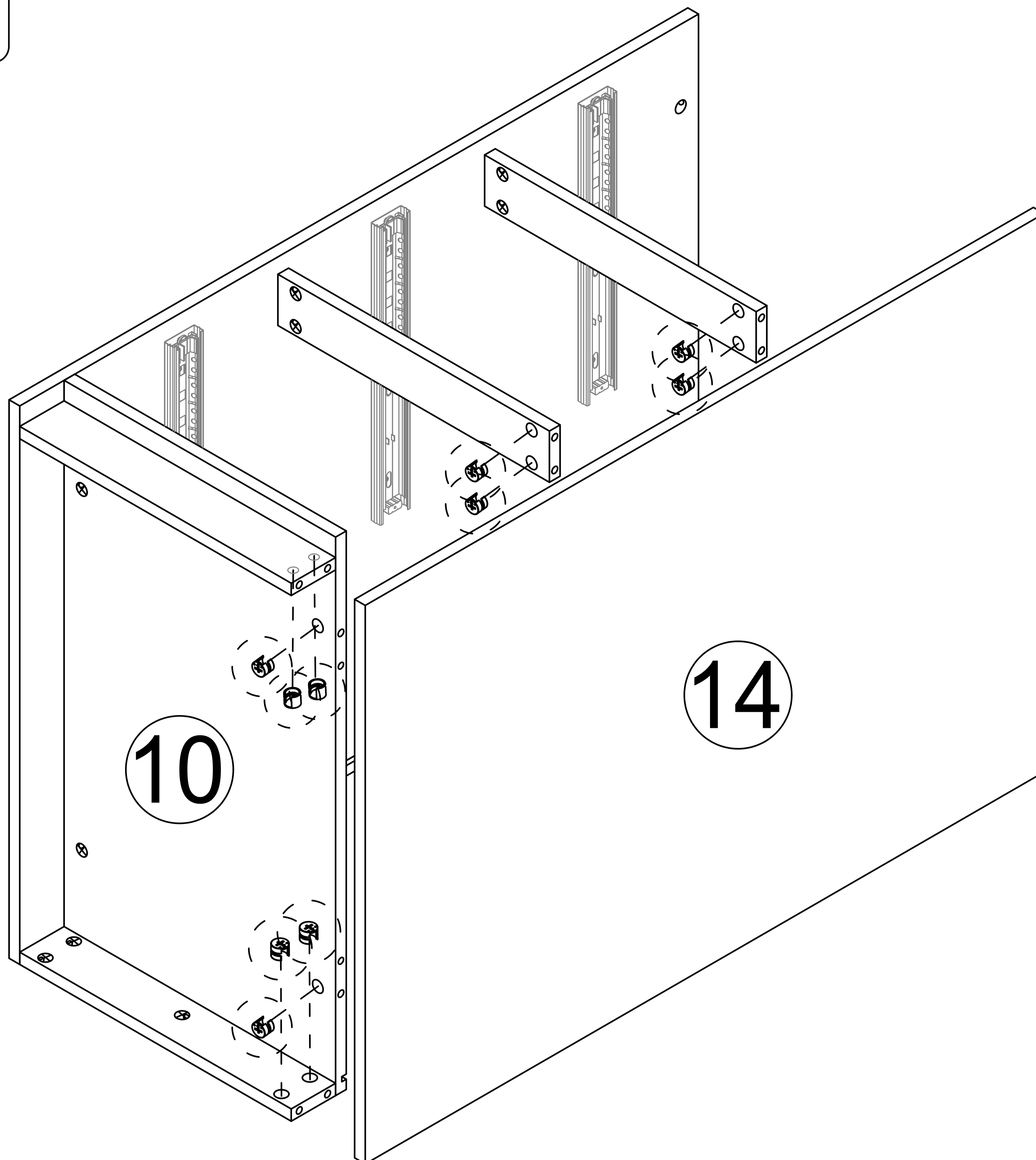


Step 25

B

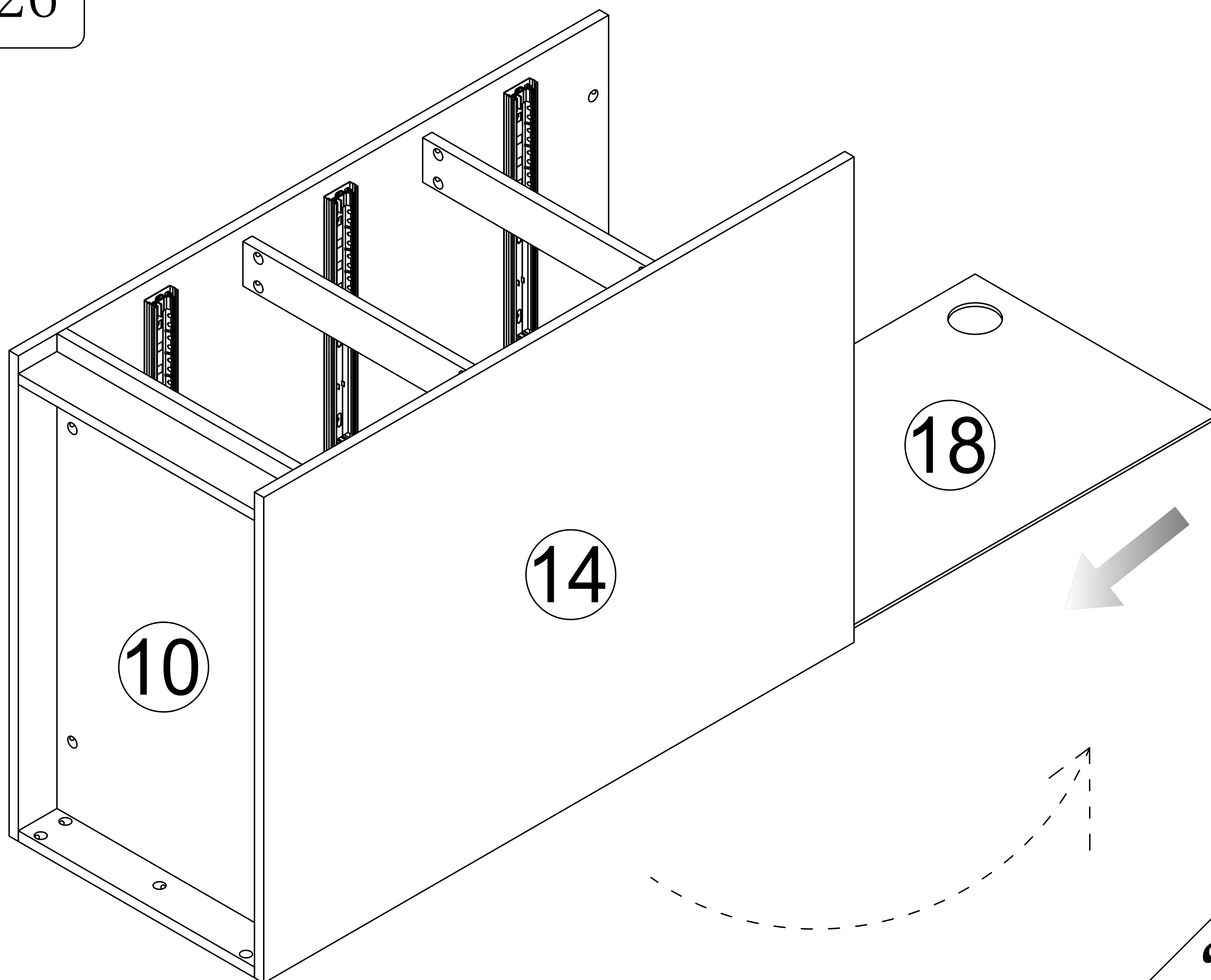


x10



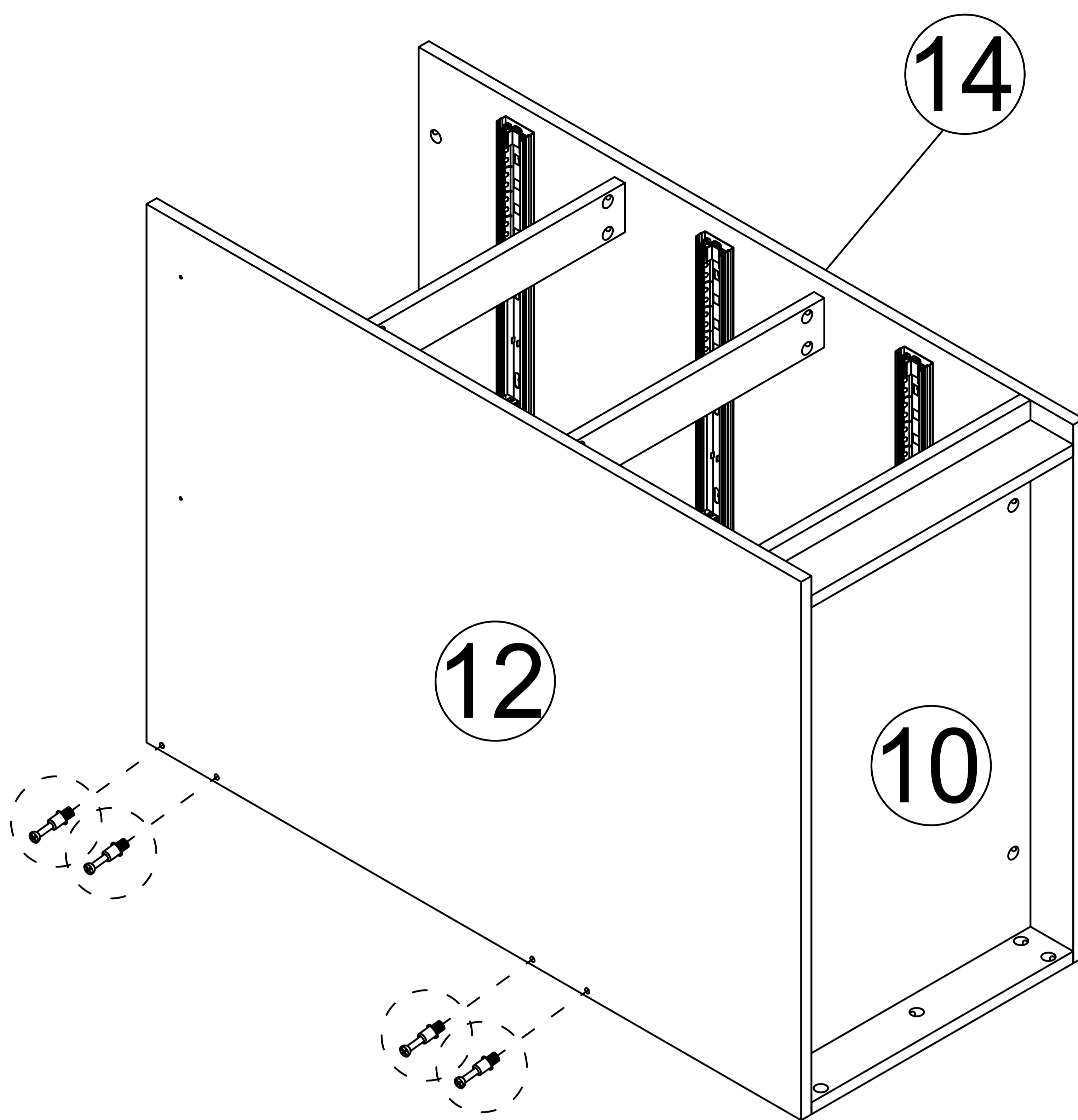
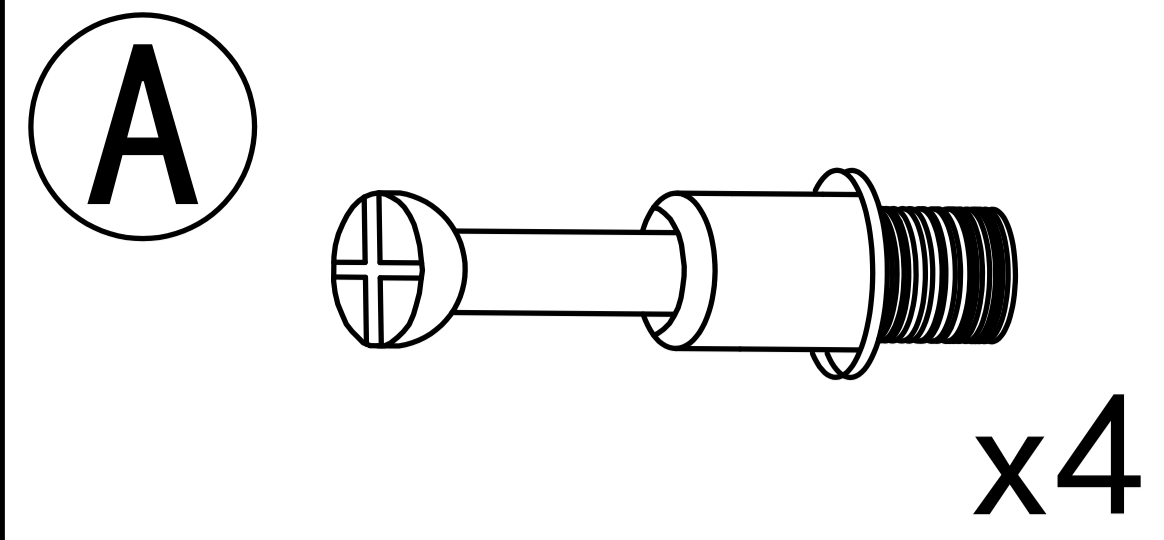
Step 26

Mind the hole orientation

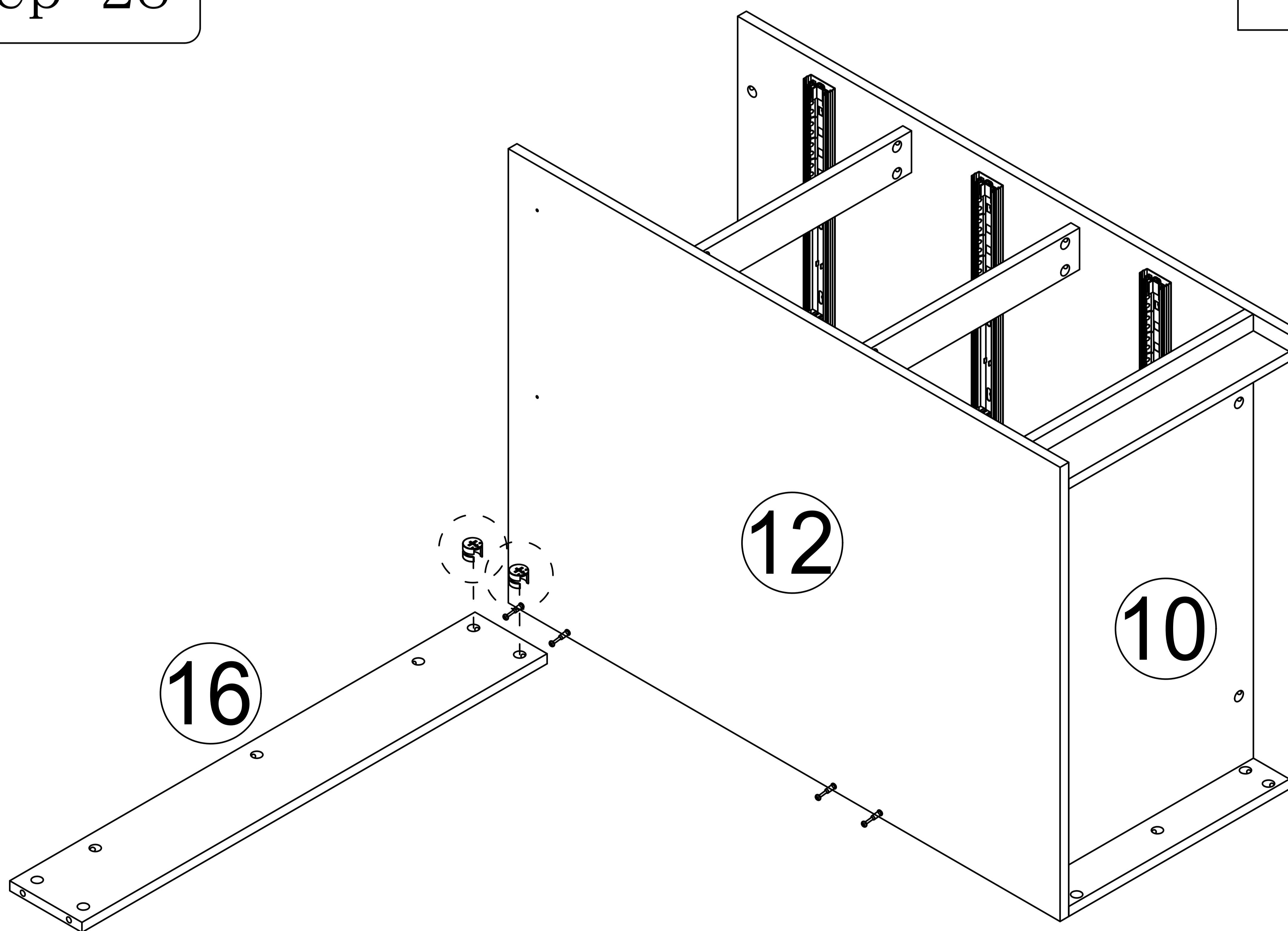
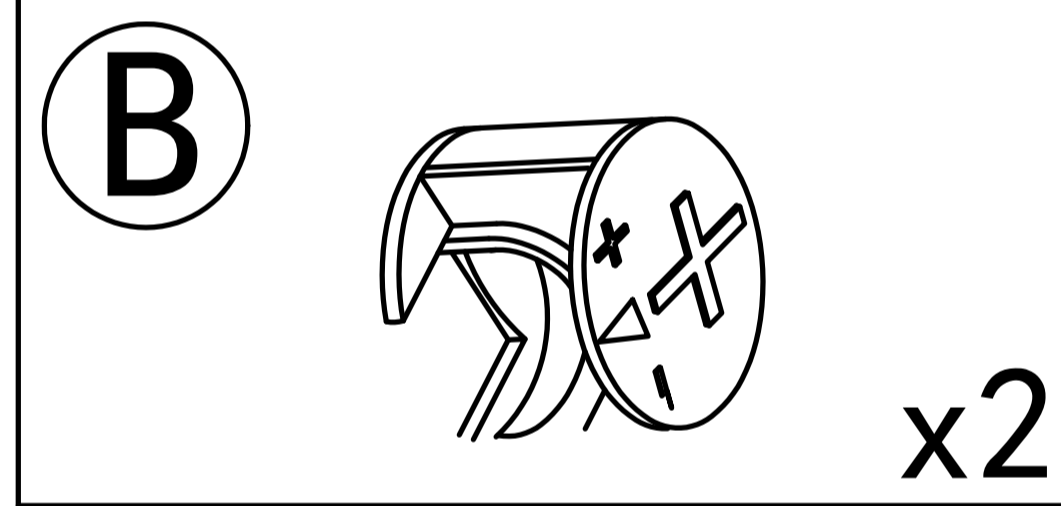


22

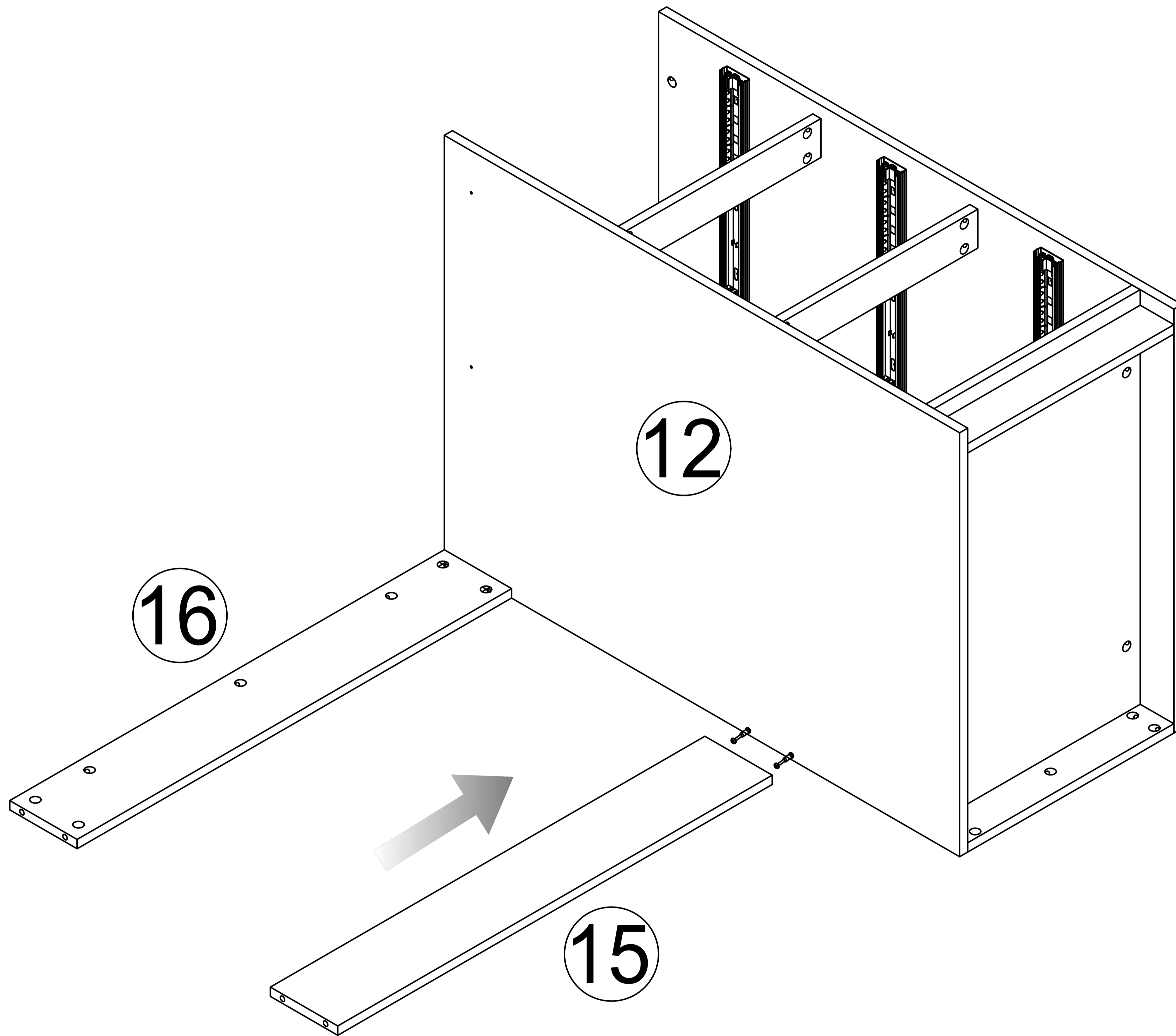
Step 27



Step 28

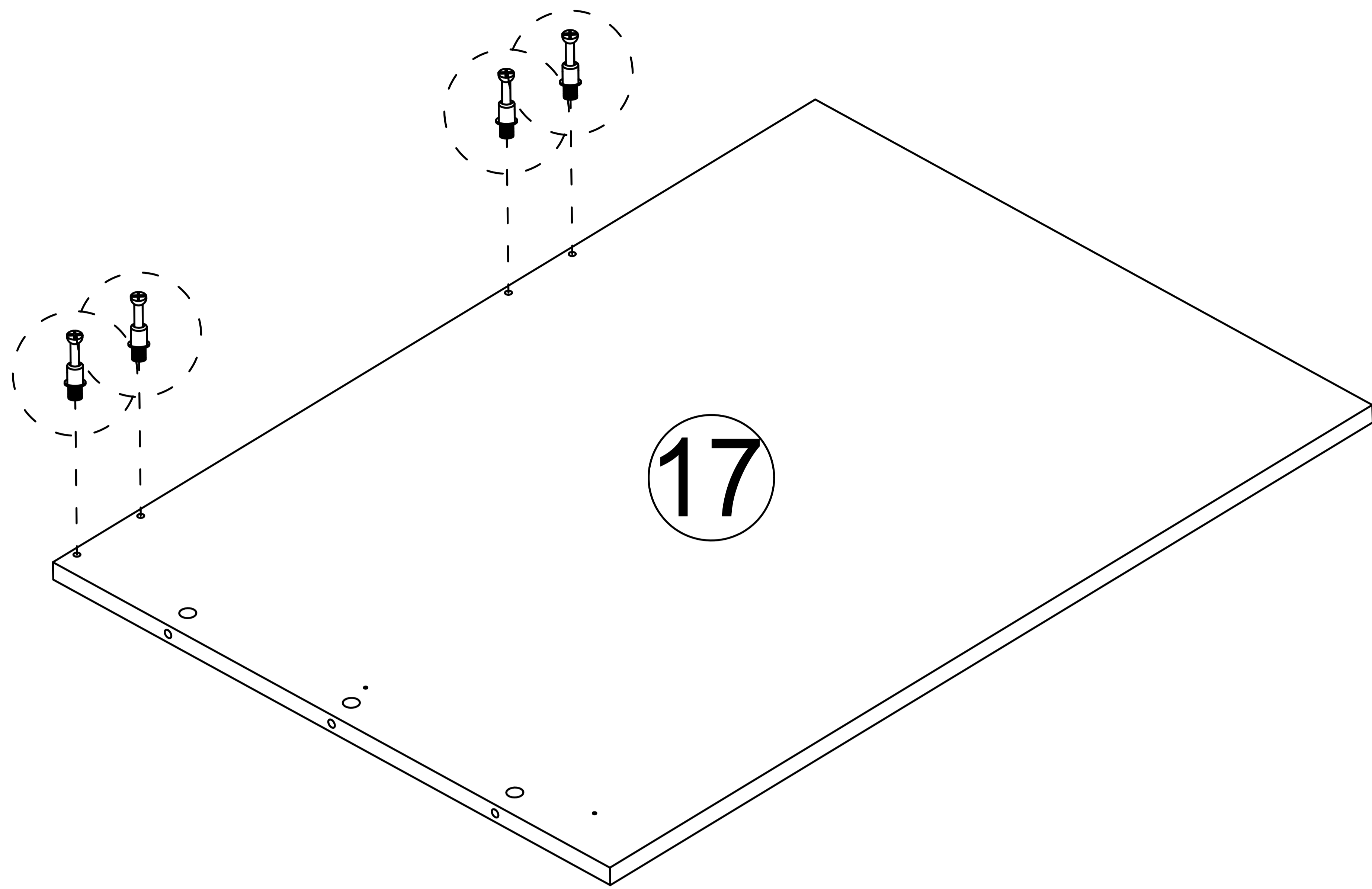
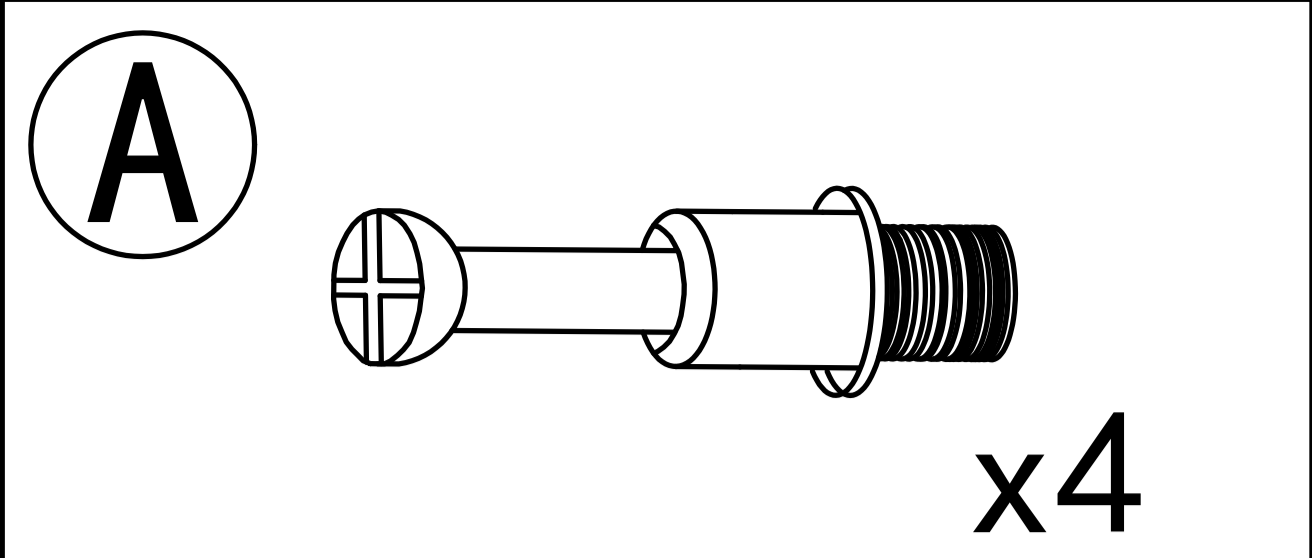


Step 29

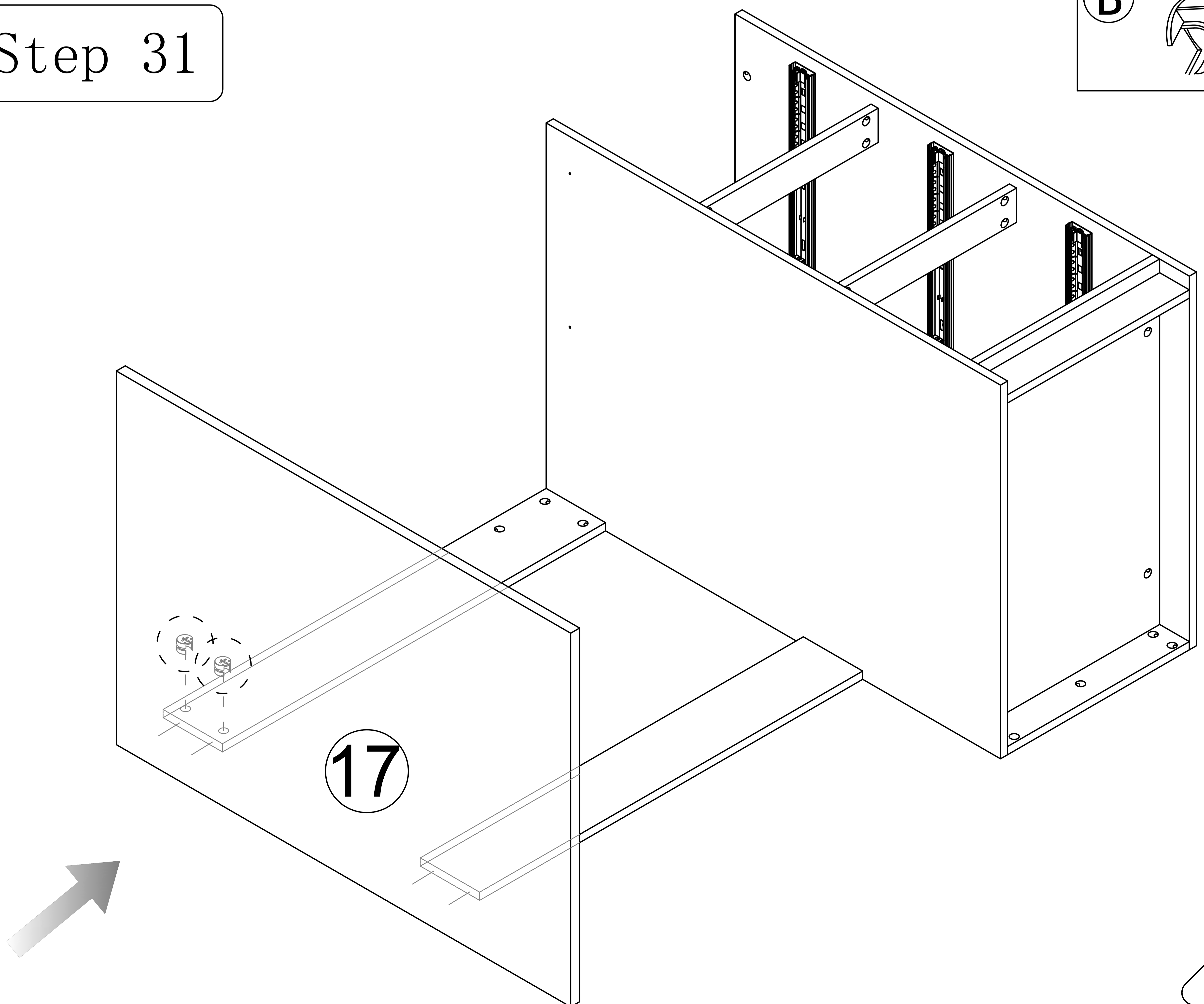
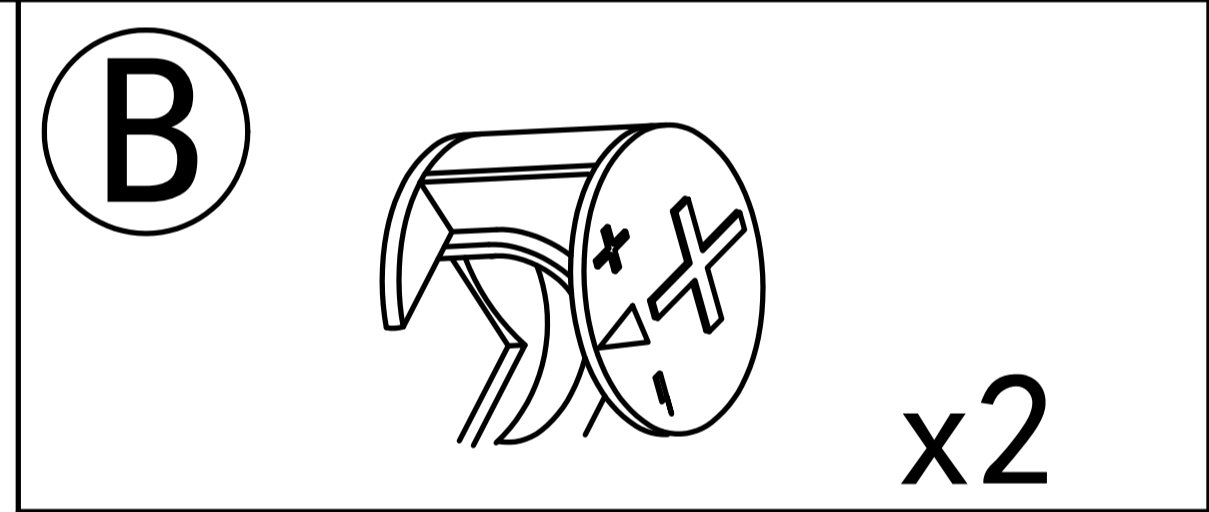


Insert board No.15 first, and then fasten the nuts later.

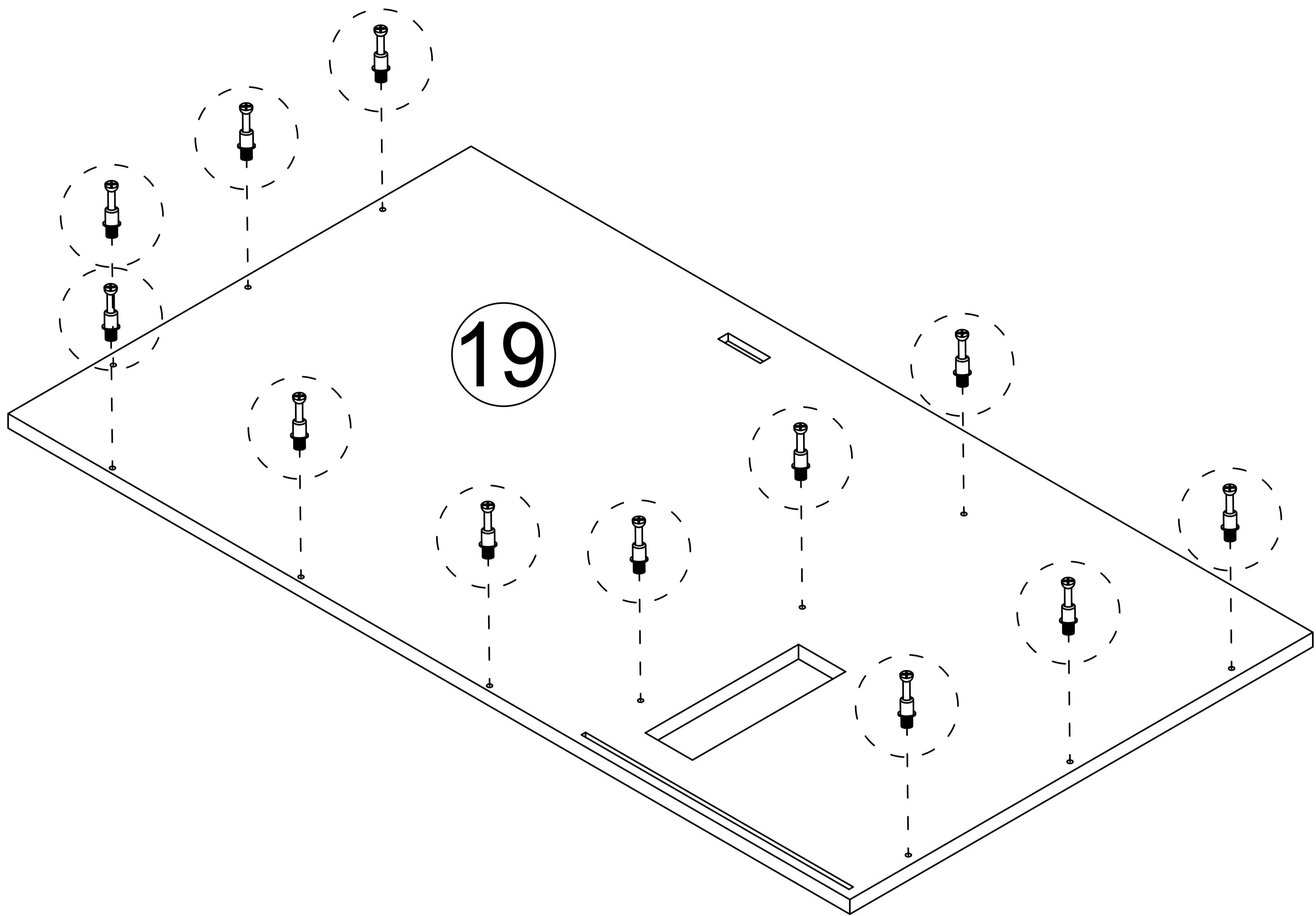
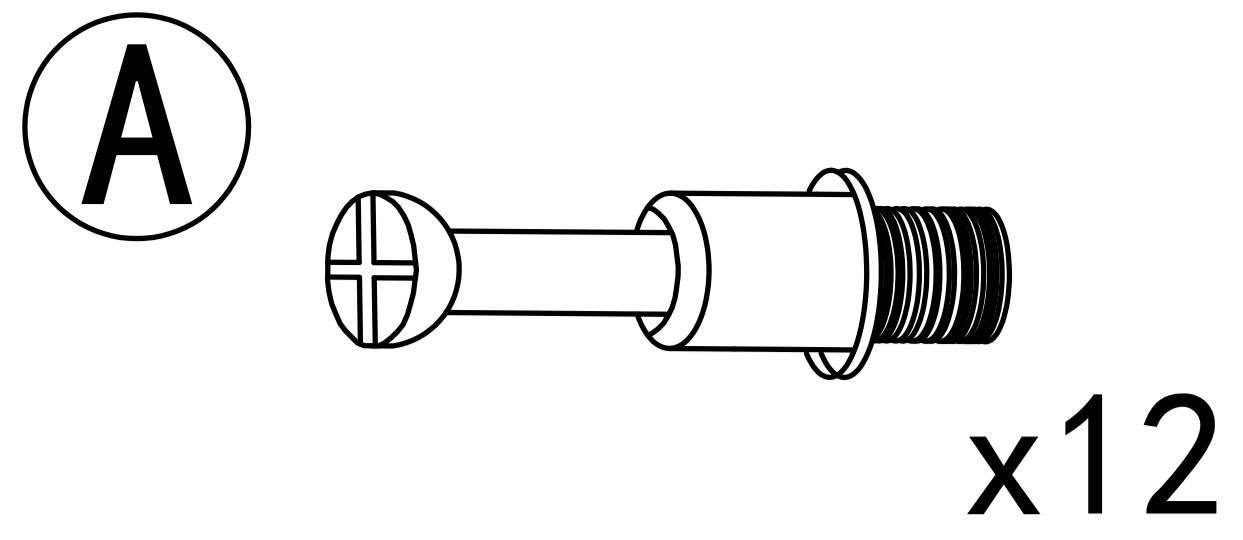
Step 30



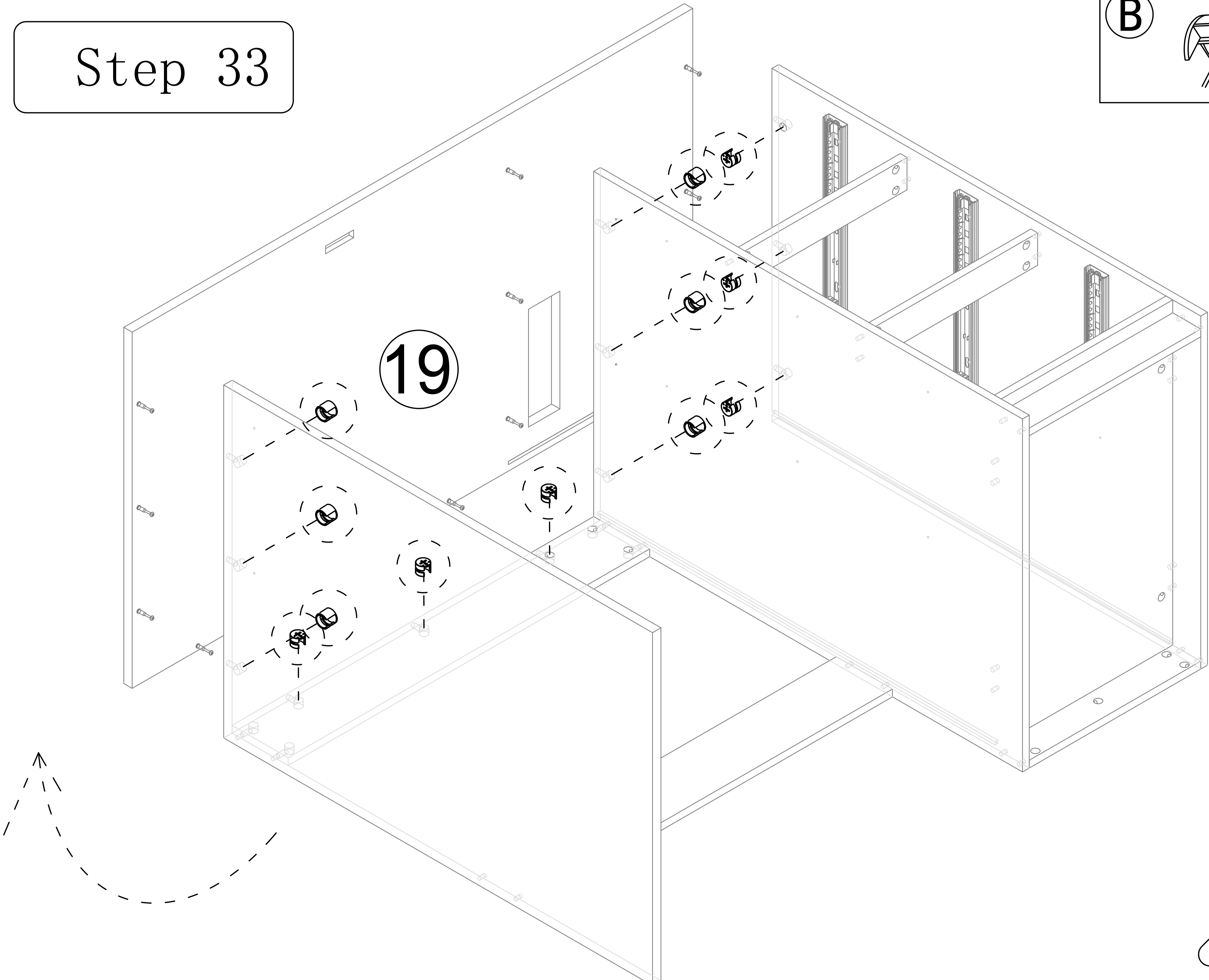
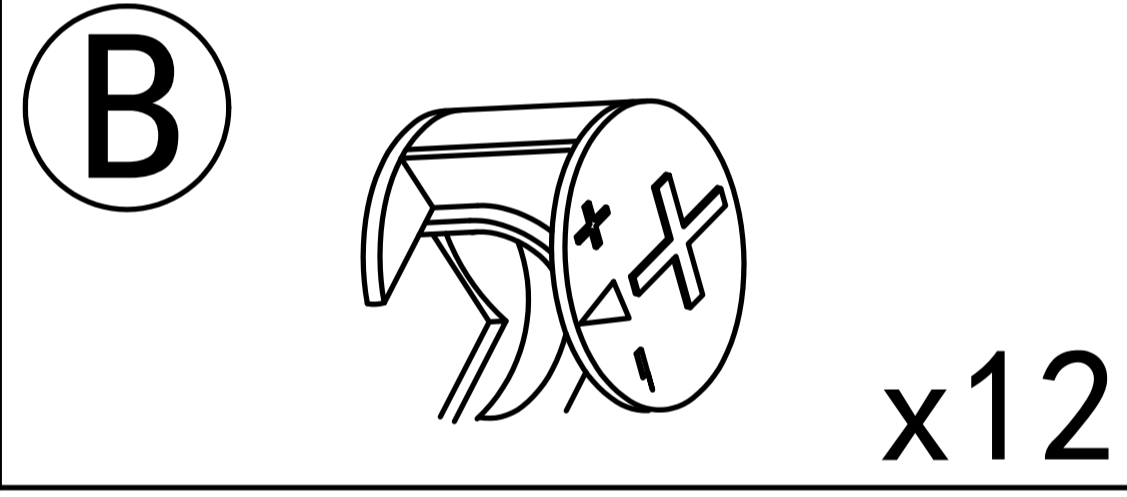
Step 31



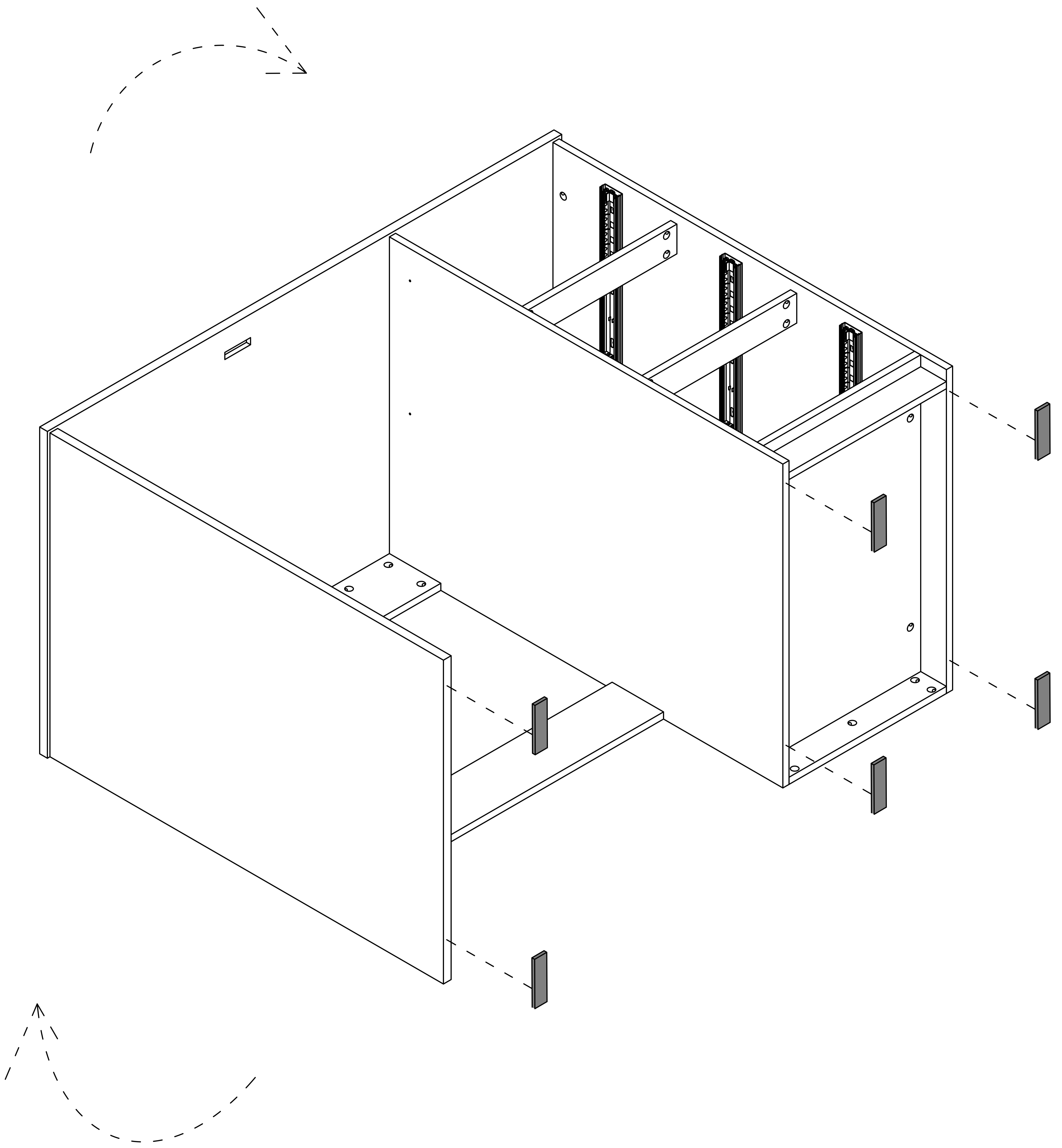
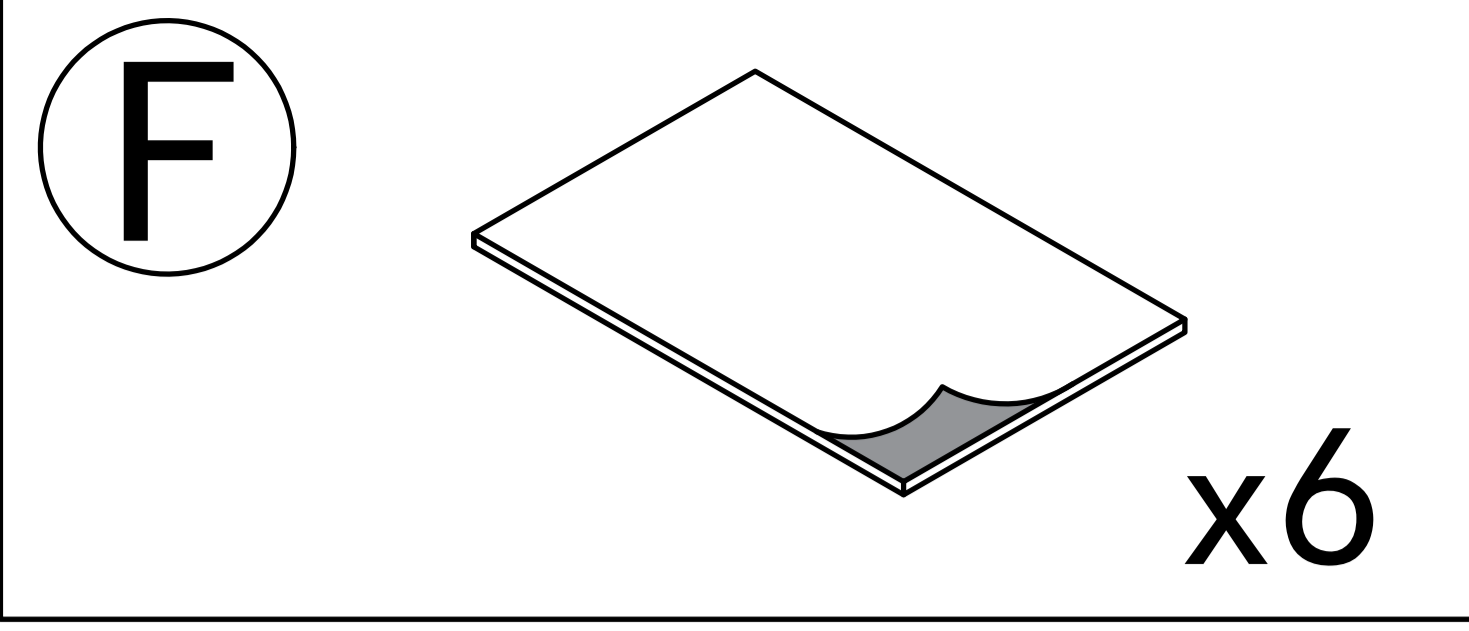
Step 32



Step 33

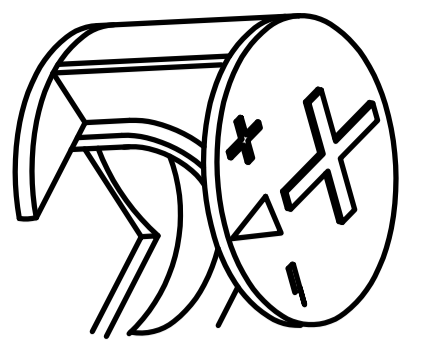


Step 34

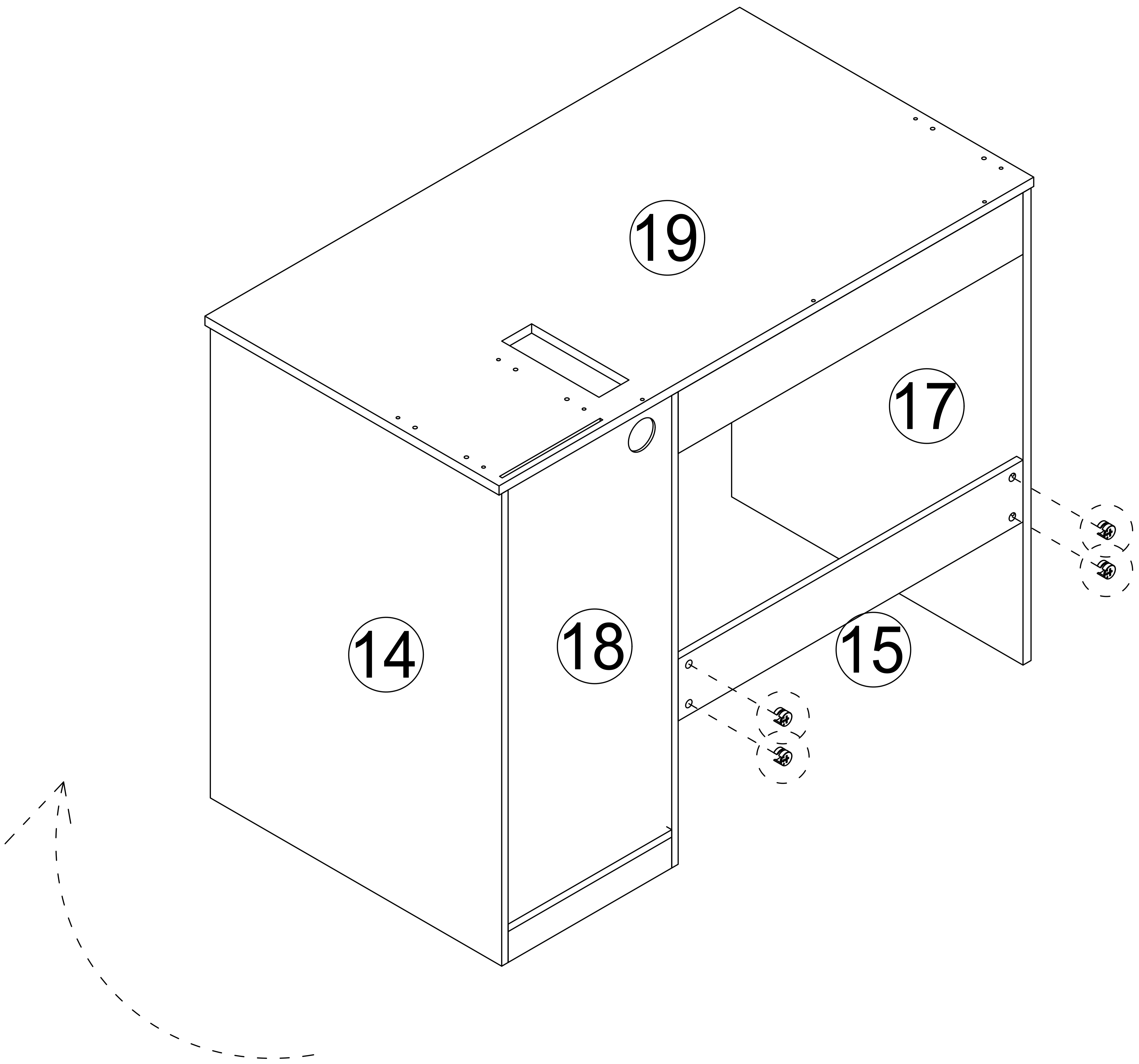


Step 35

B

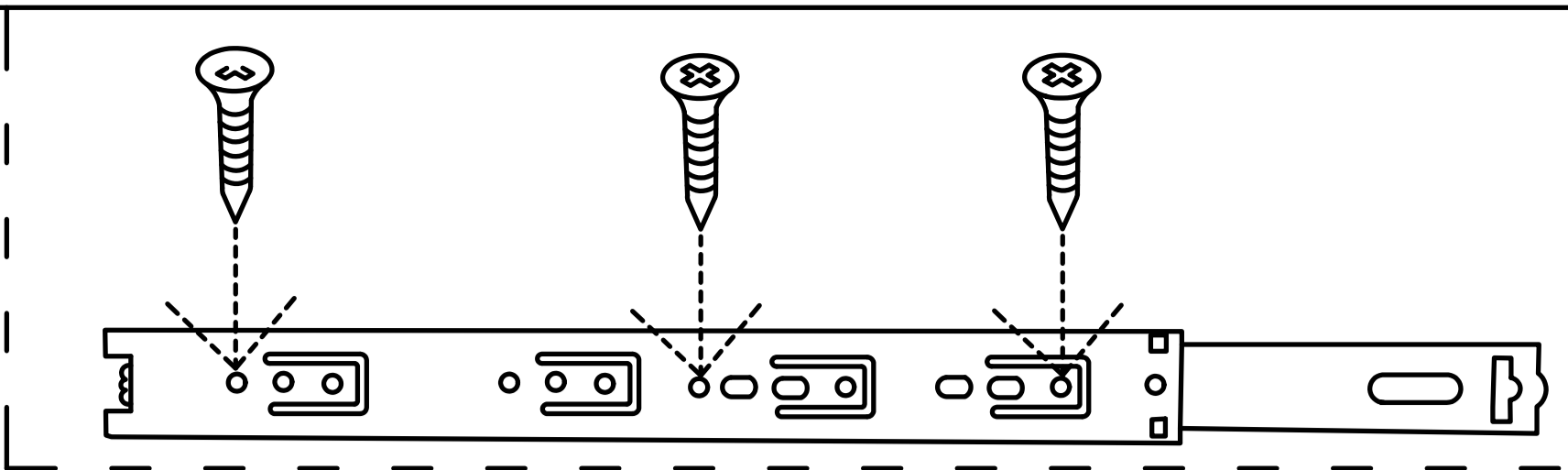


x4

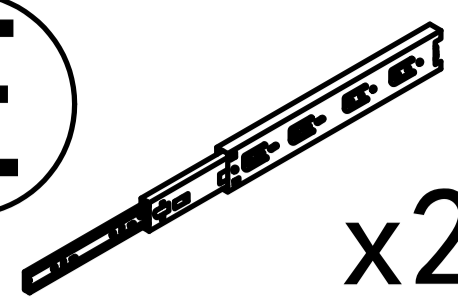


Stand the cabinet upright and tighten the nuts on board No.15

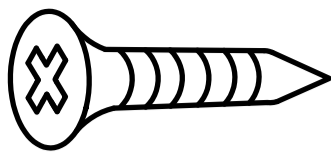
Step 36



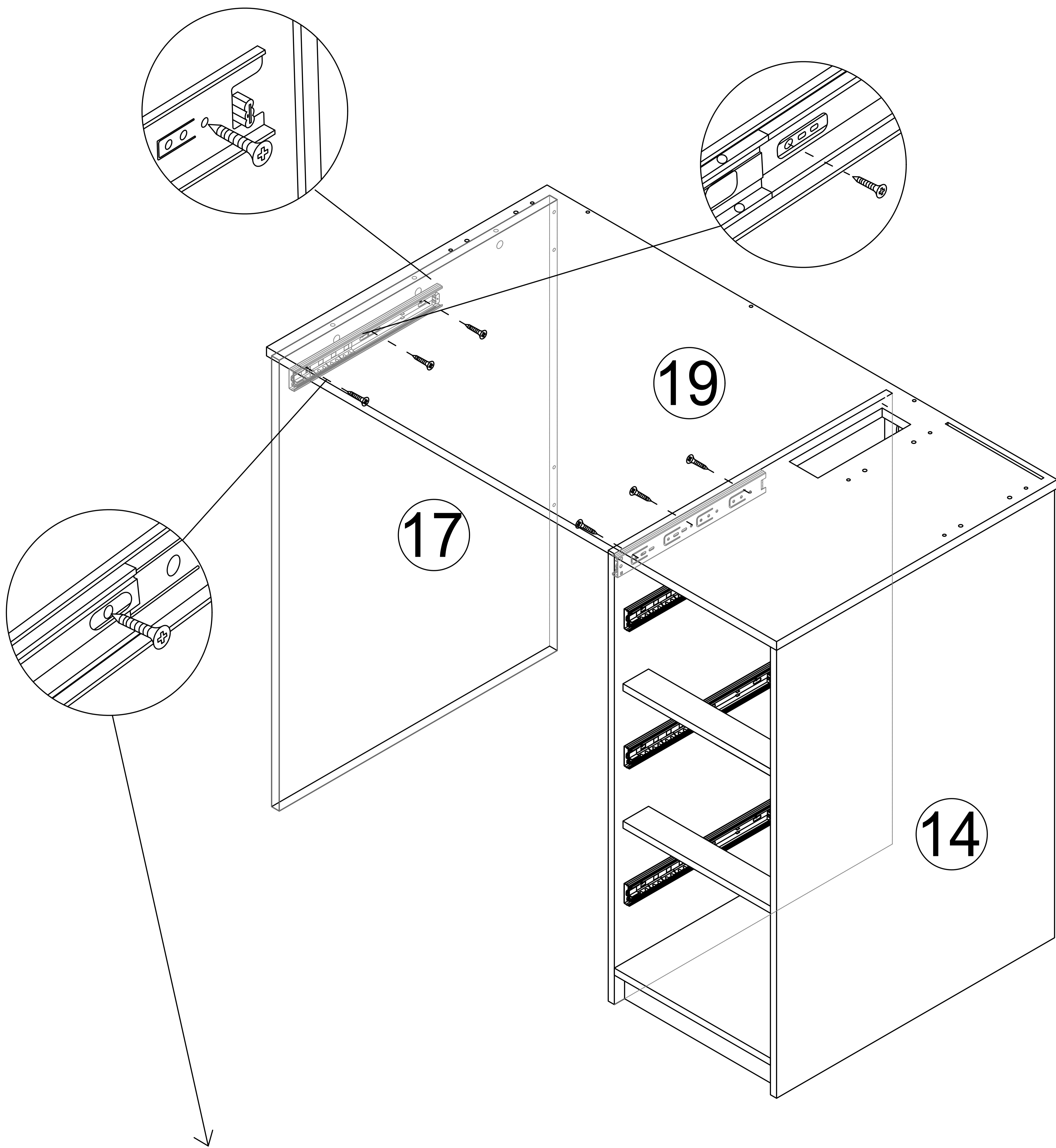
E



x2

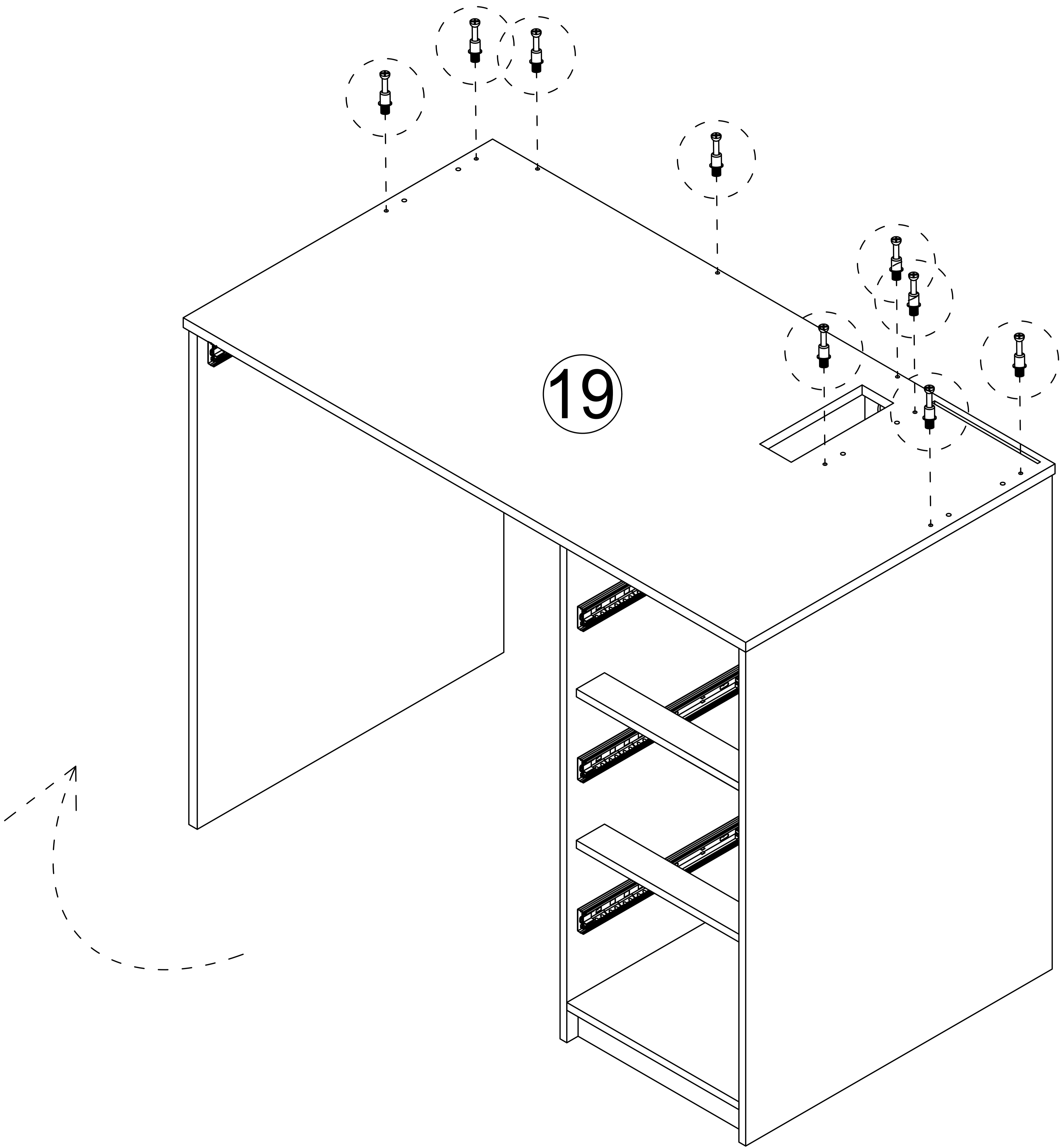
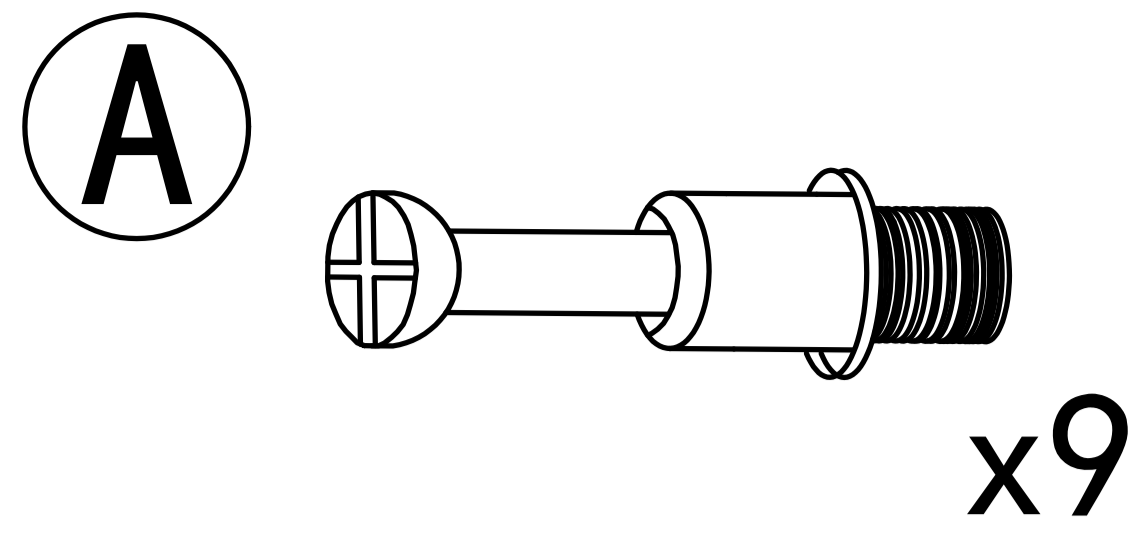


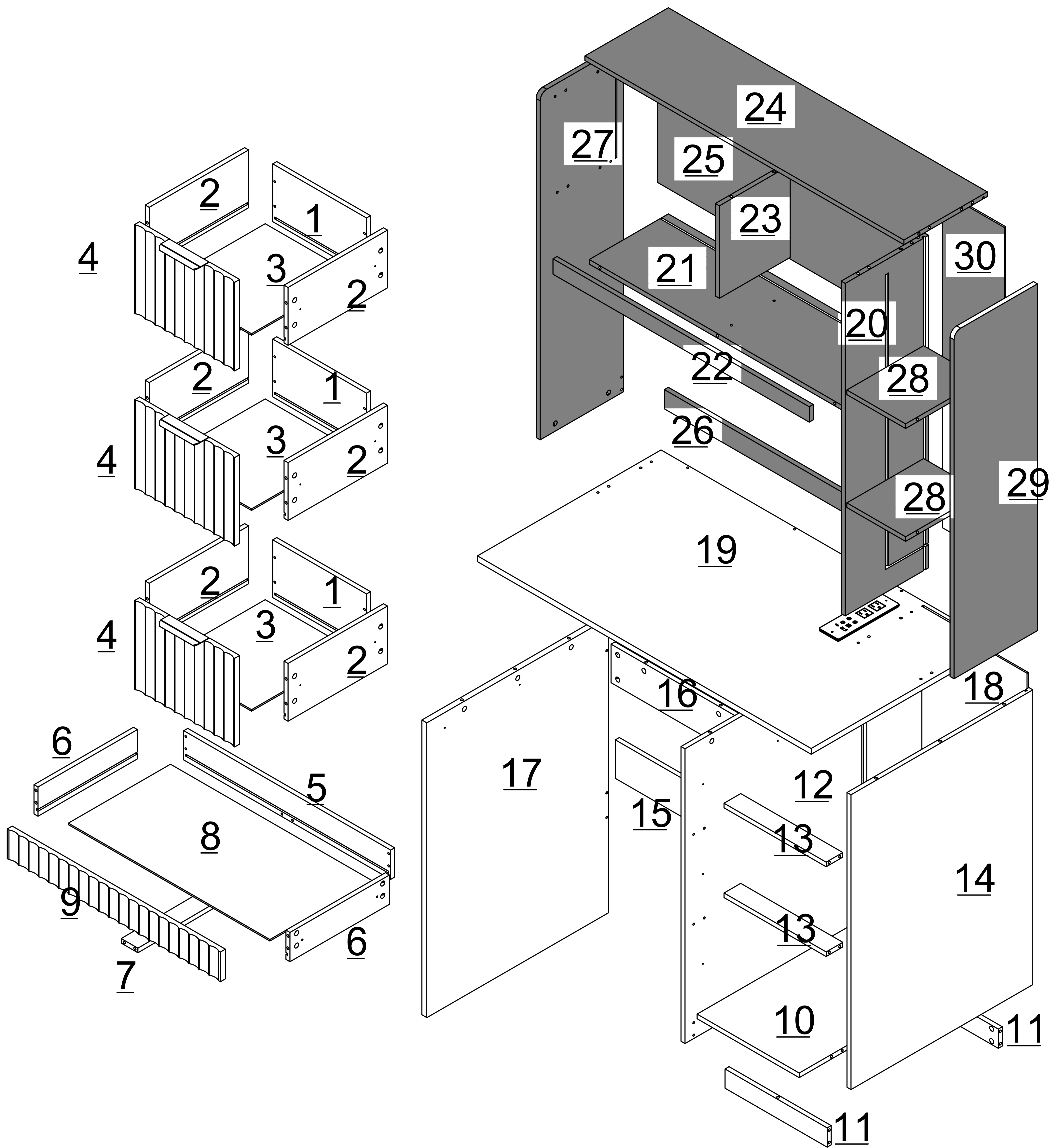
x6



This hole is for strengthening fixed hole customers can choose to install according to their needs.

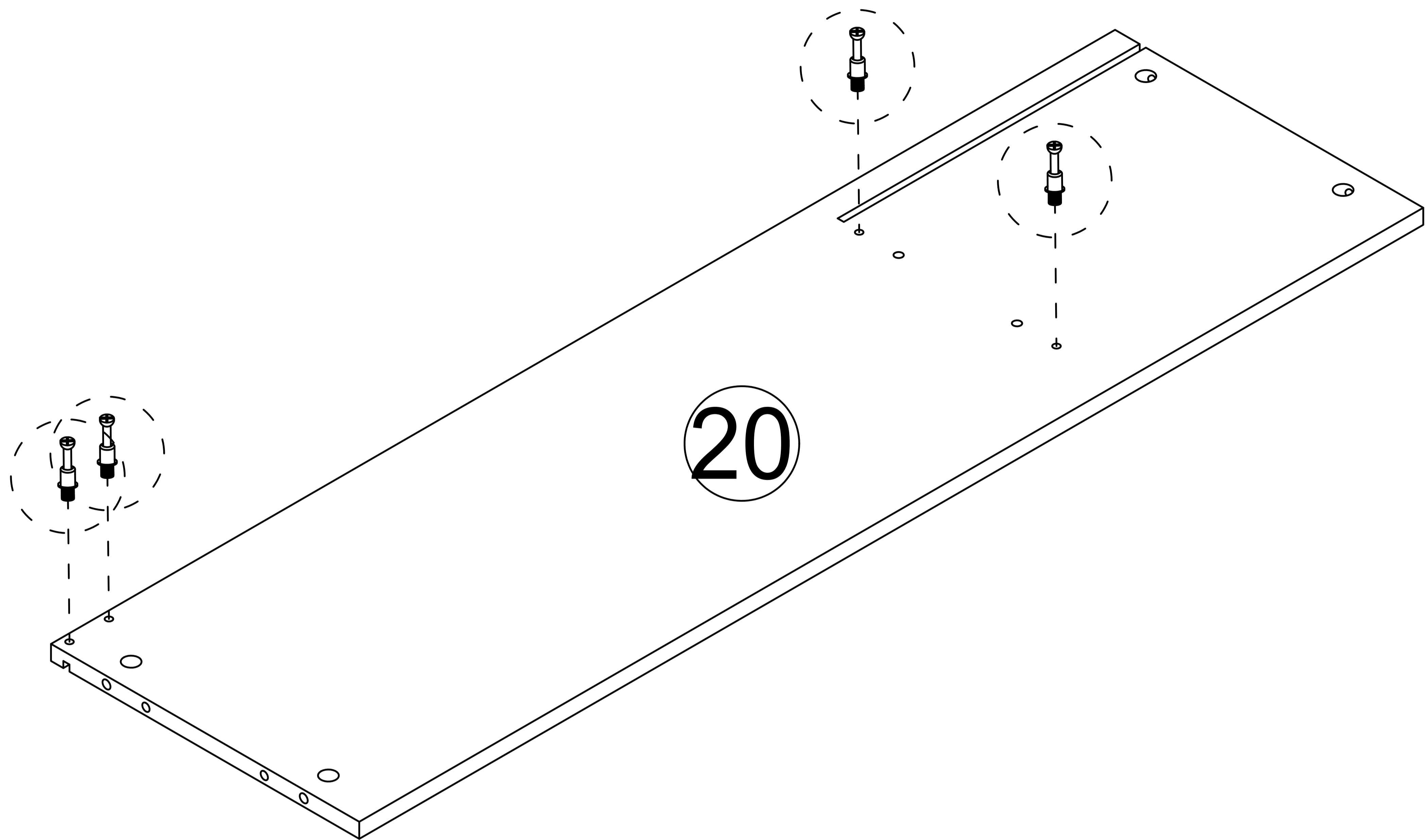
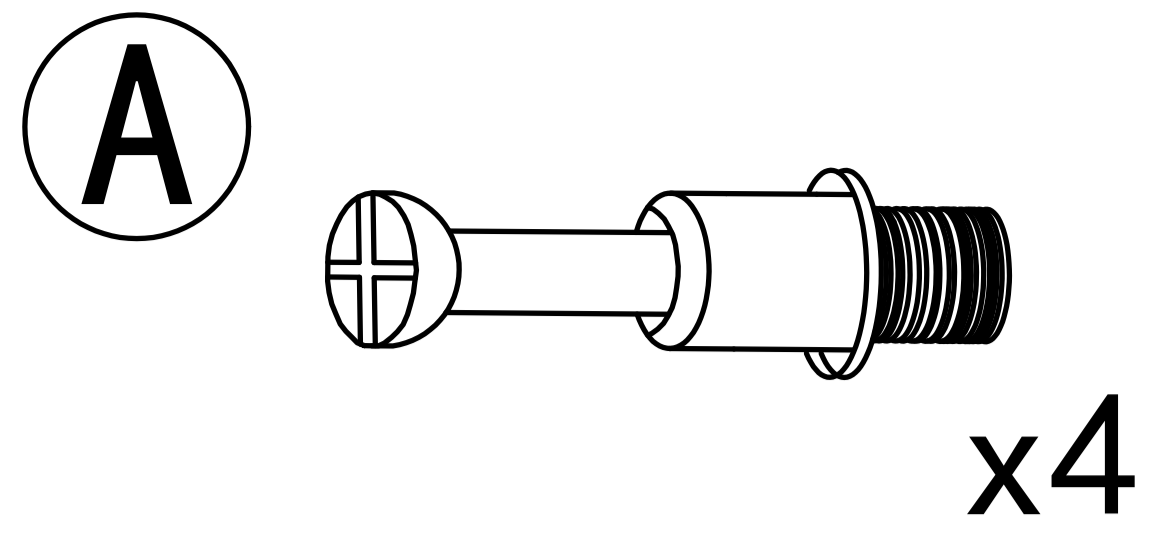
Step 37



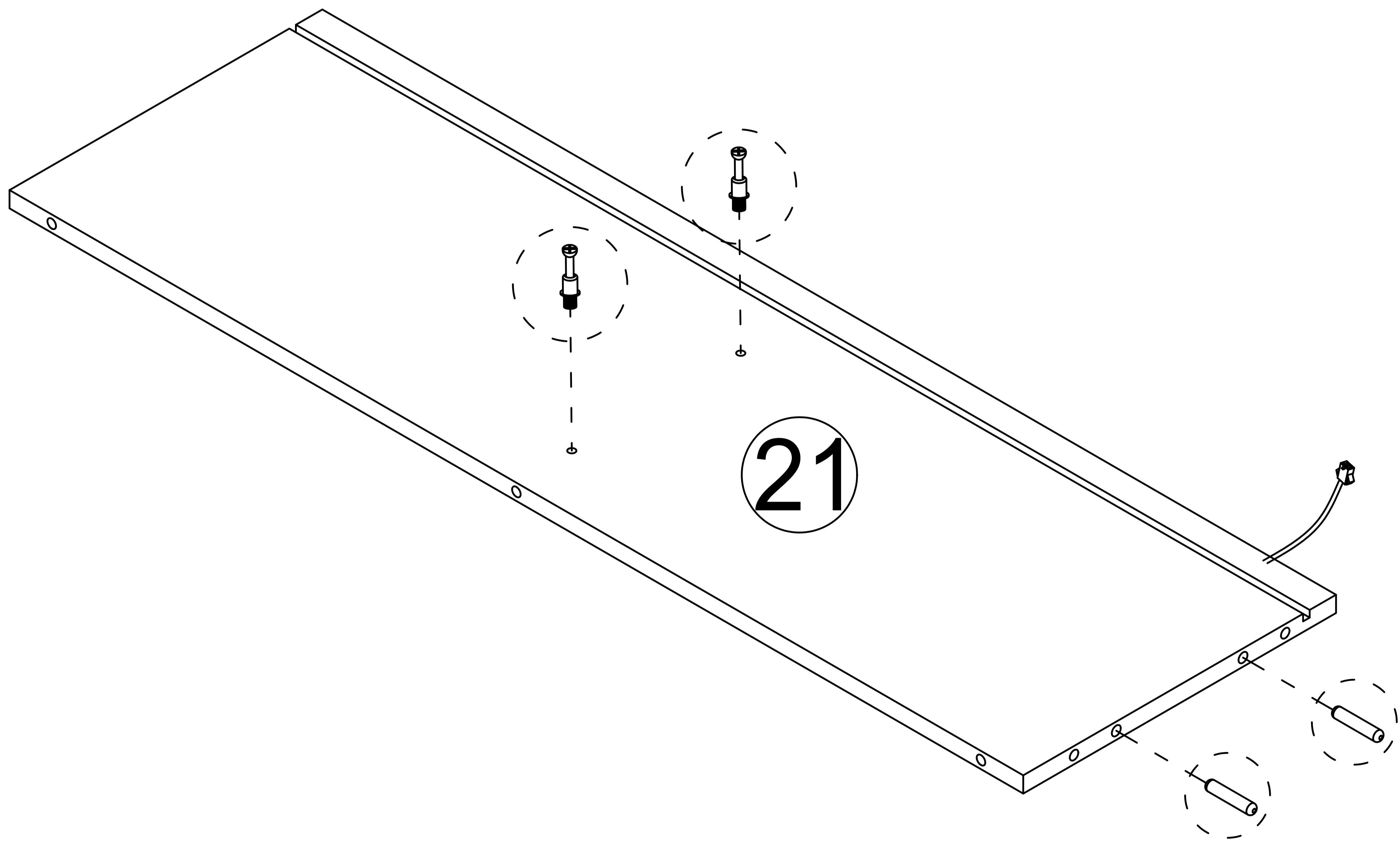
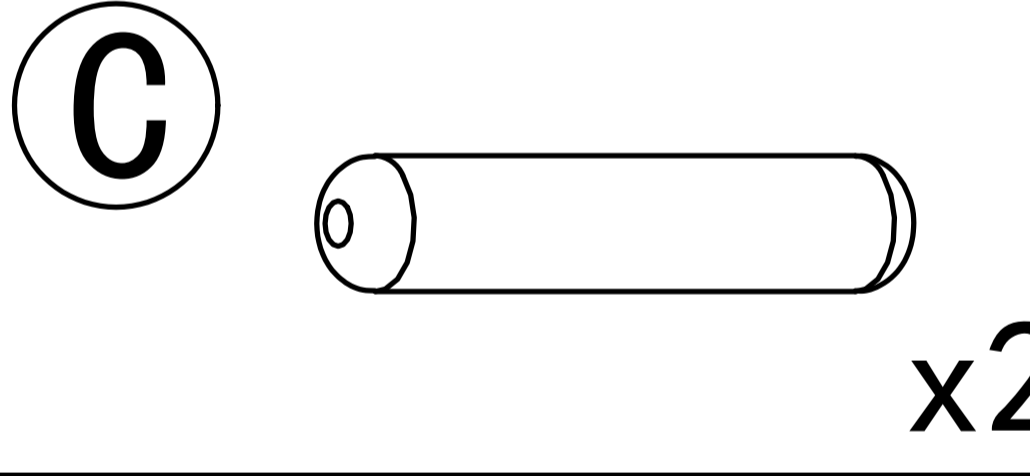
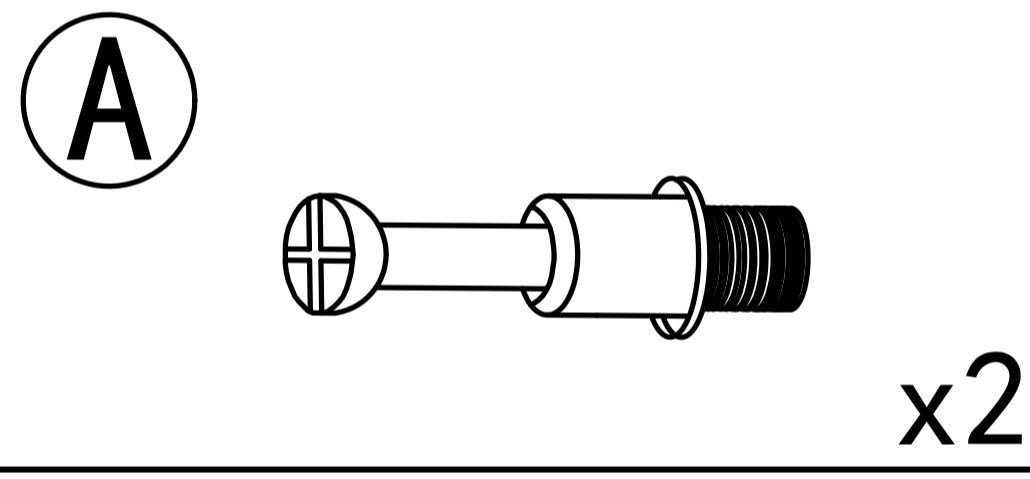


Product structure decomposition

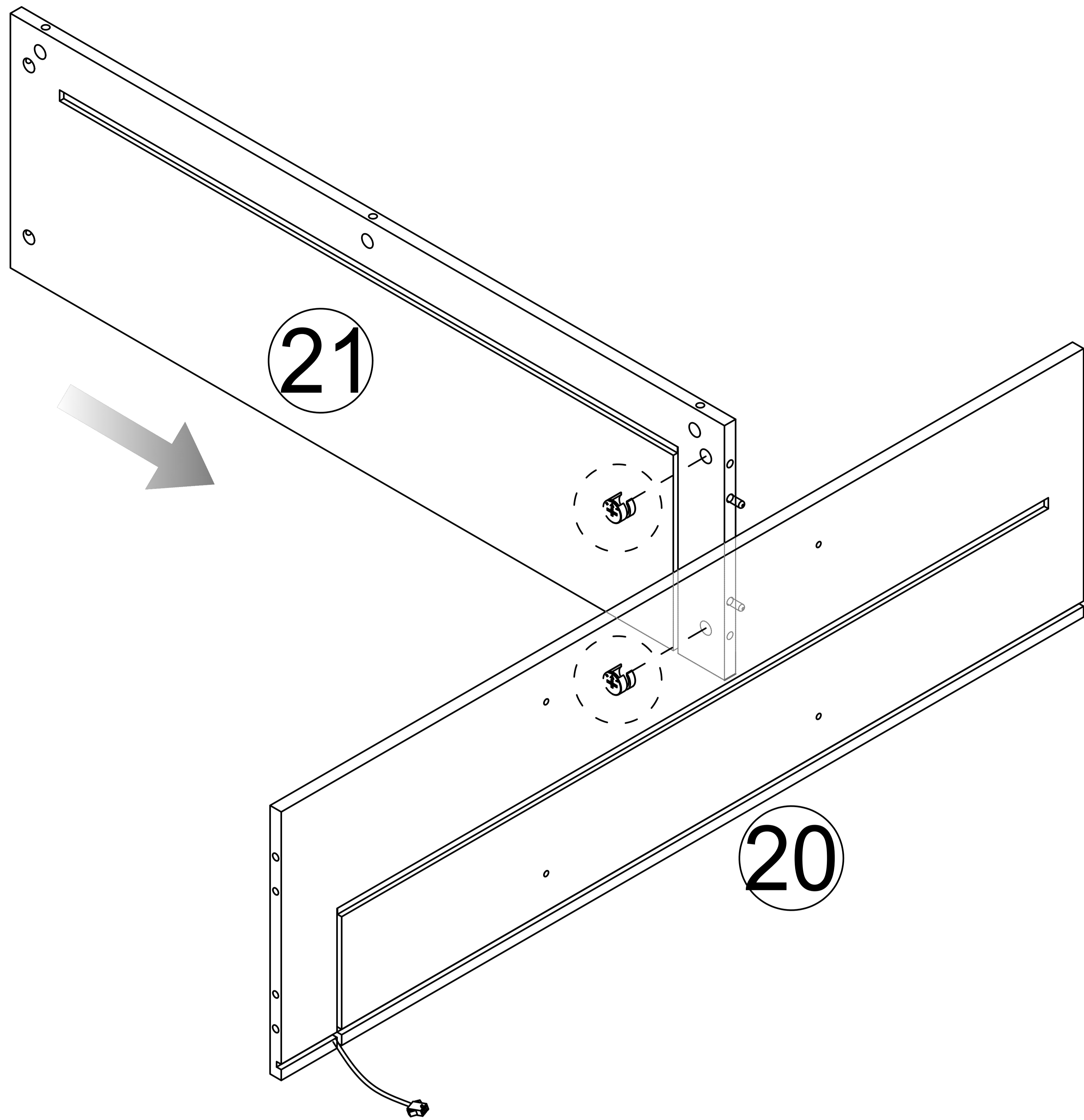
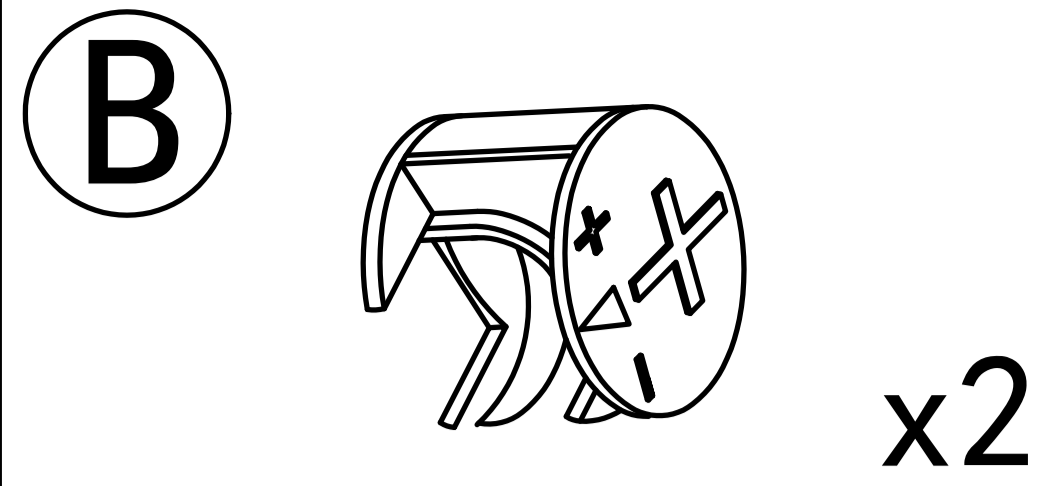
Step 38



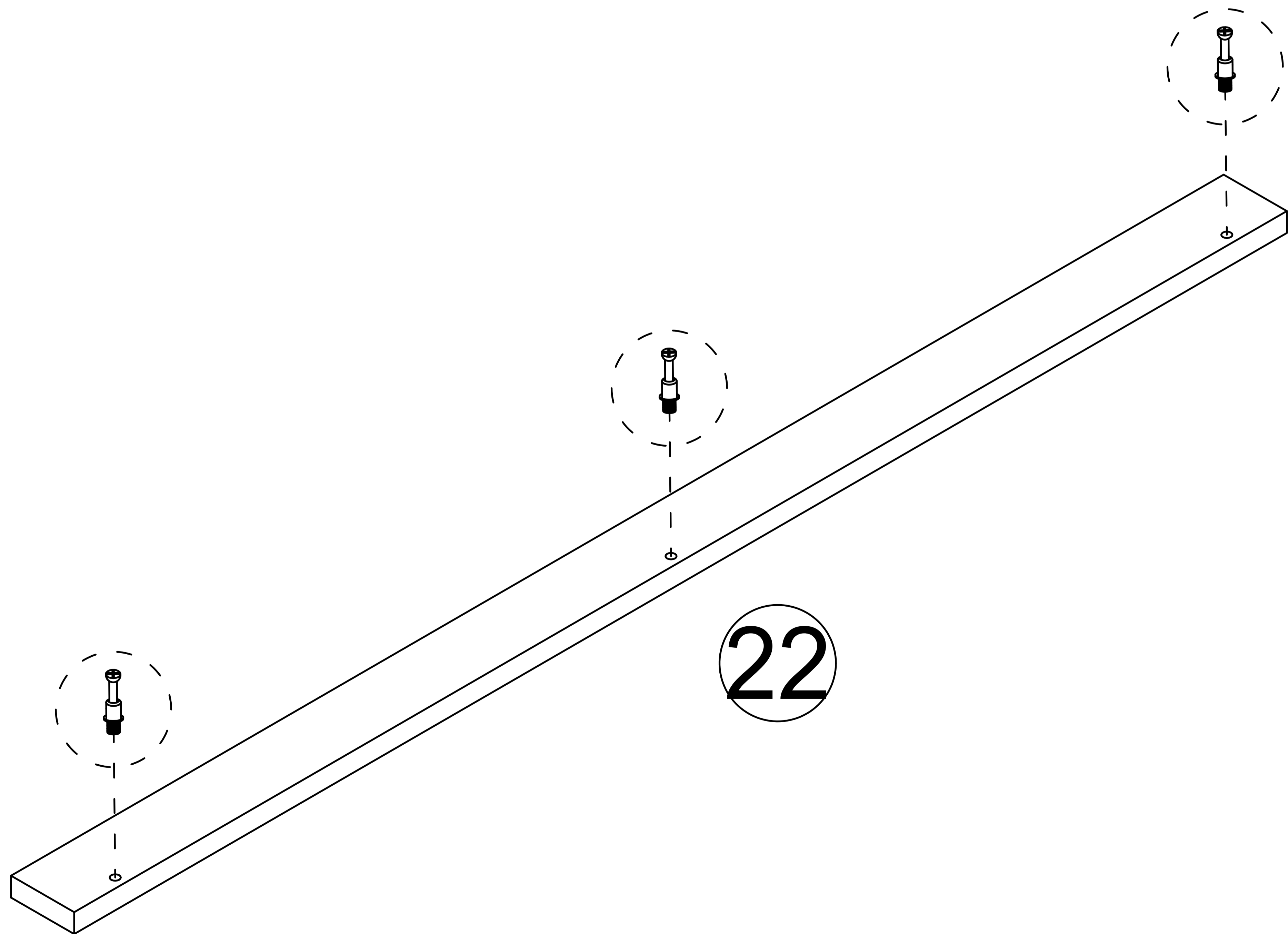
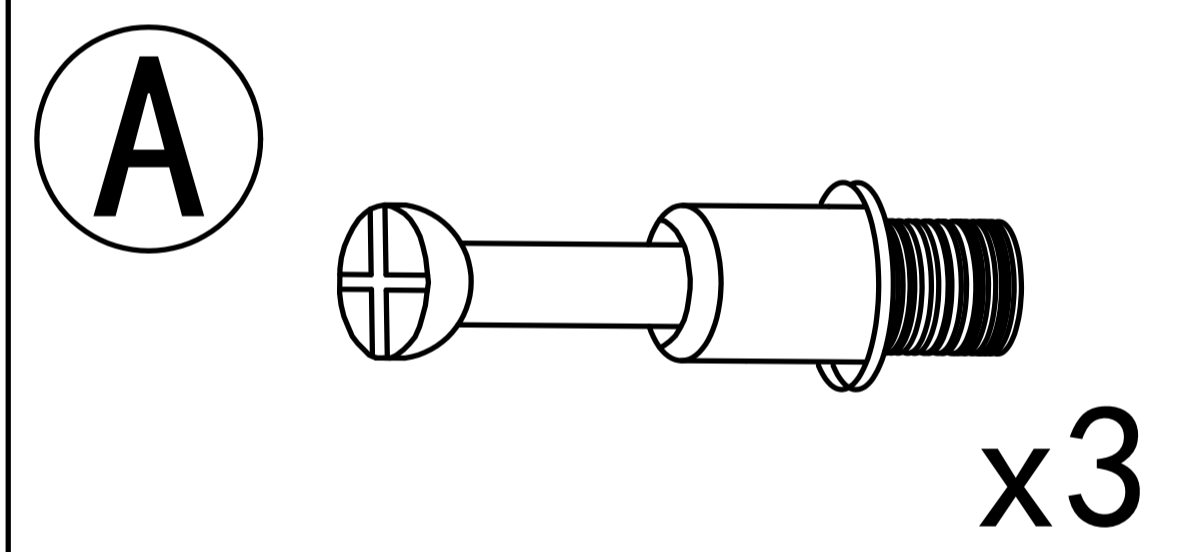
Step 39



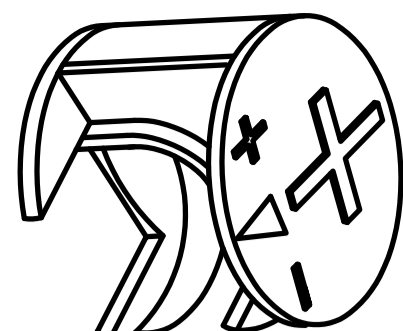
Step 40

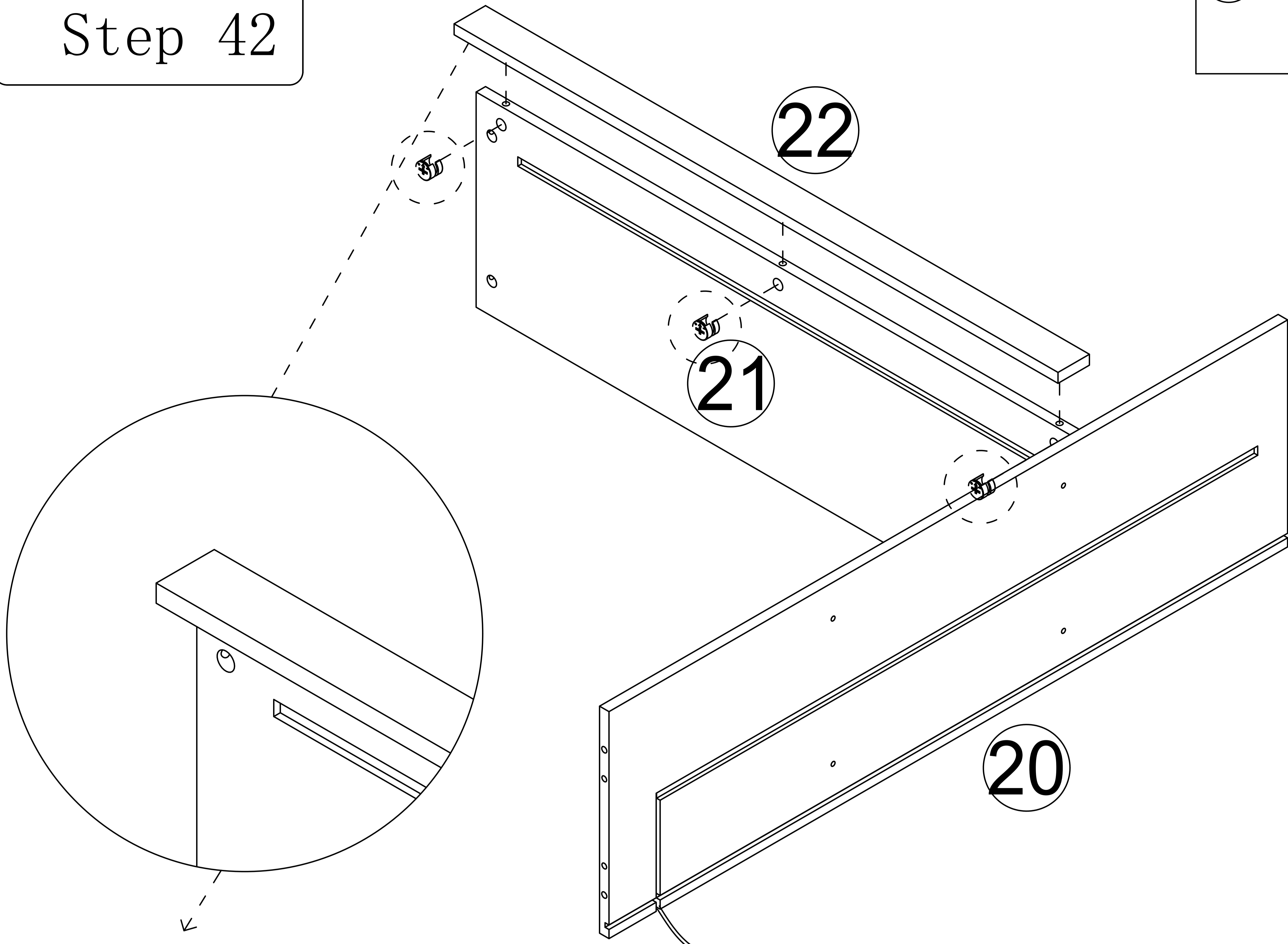


Step 41



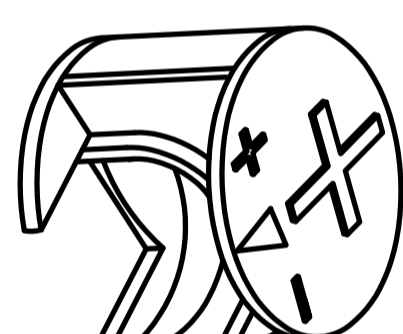
Step 42

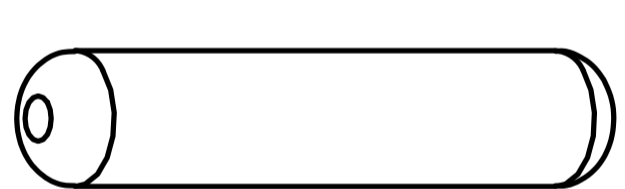
B  x3

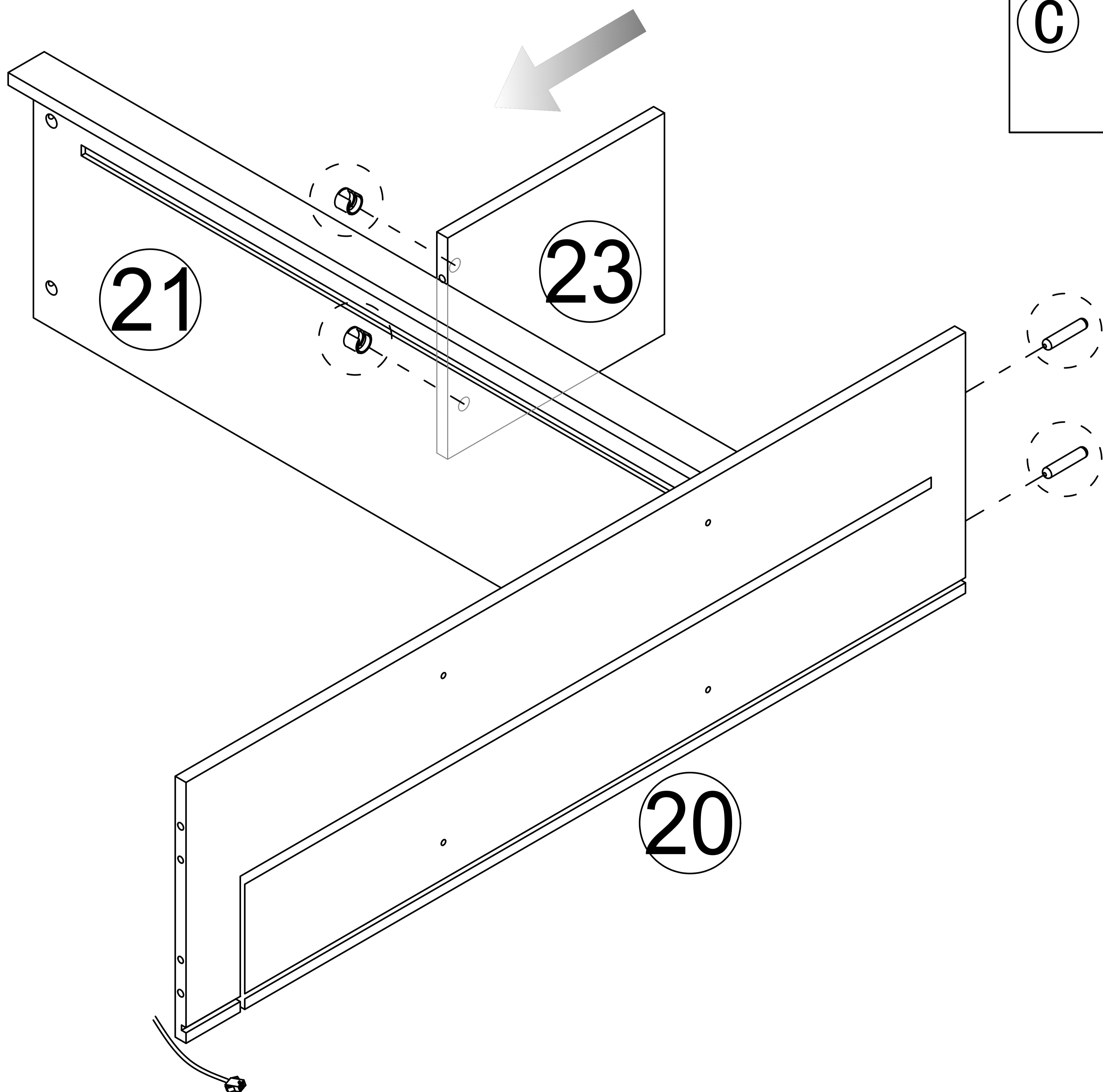


Pay attention to the direction of Plate No.22

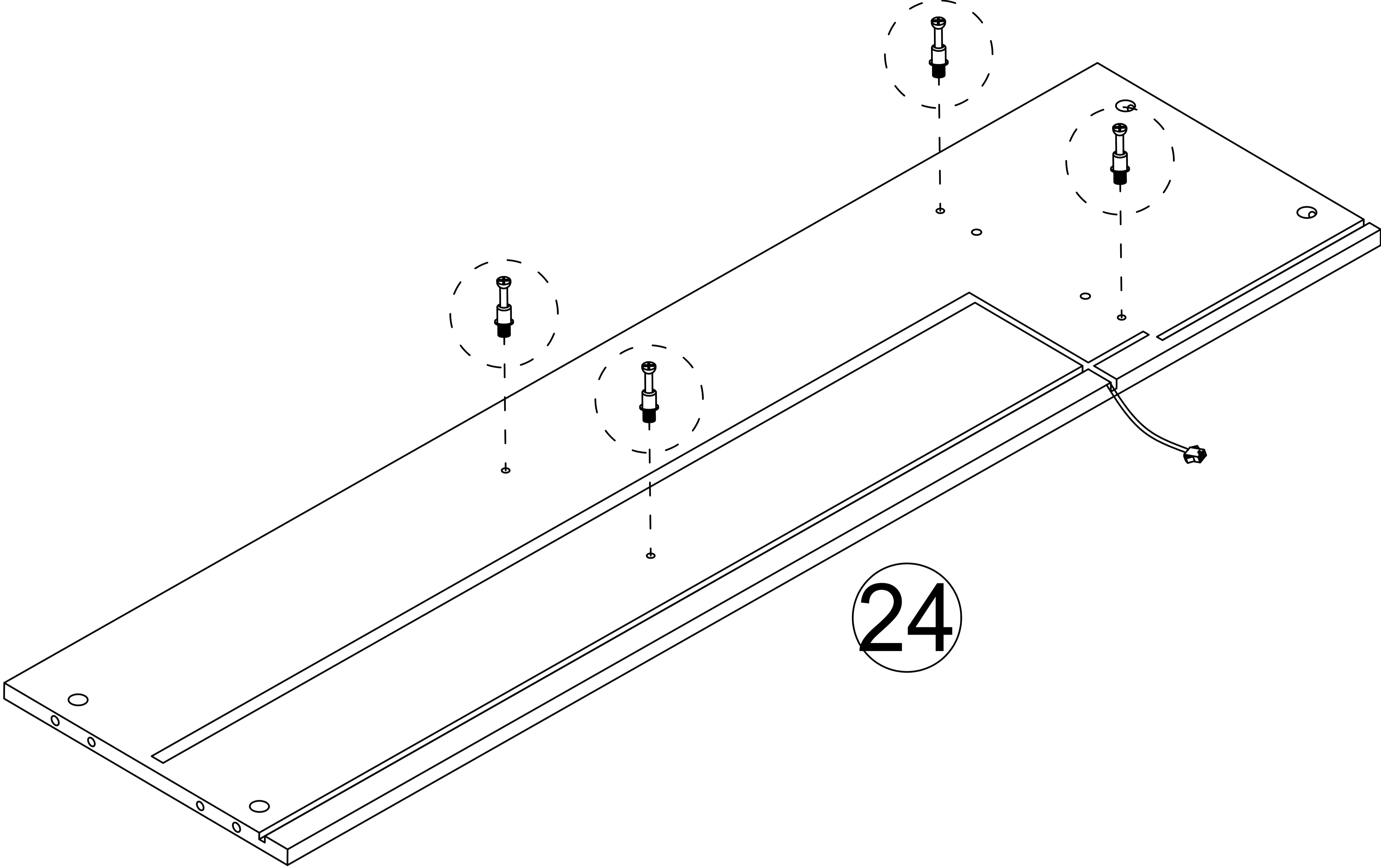
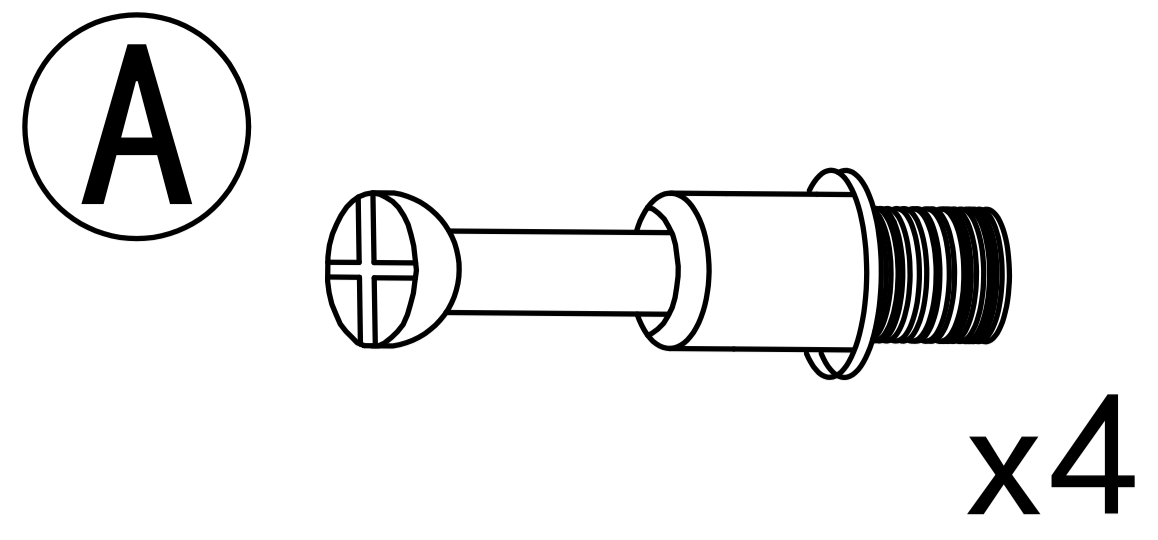
Step 43

B  x2

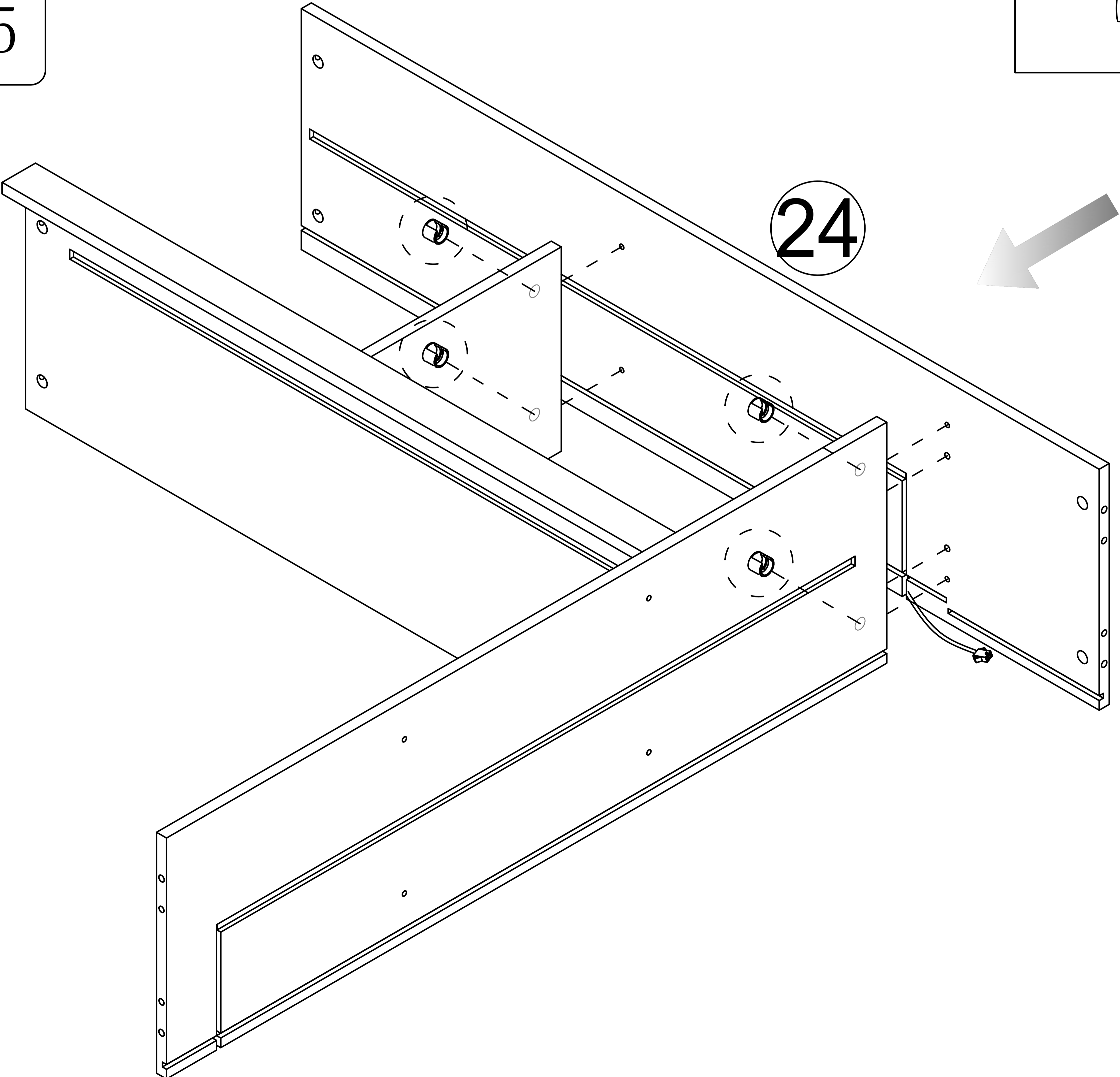
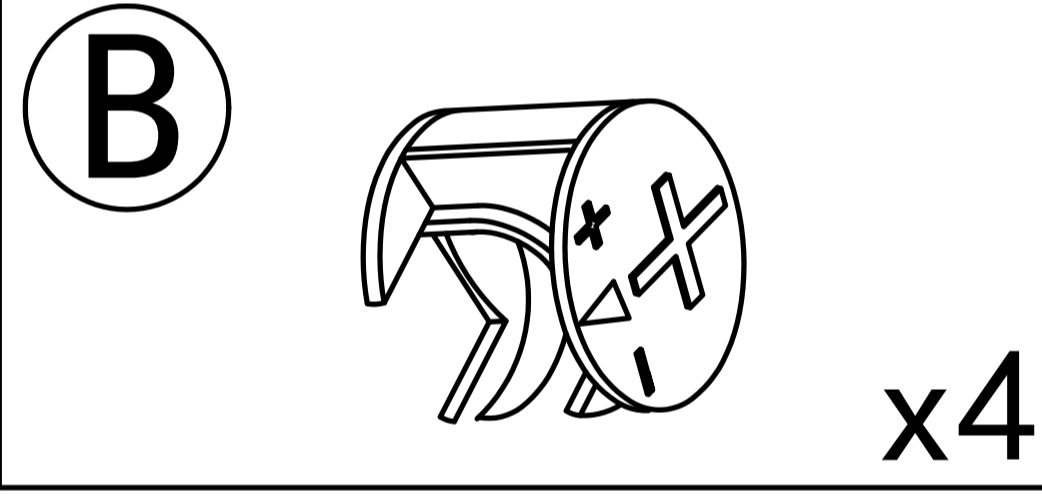
C  x2



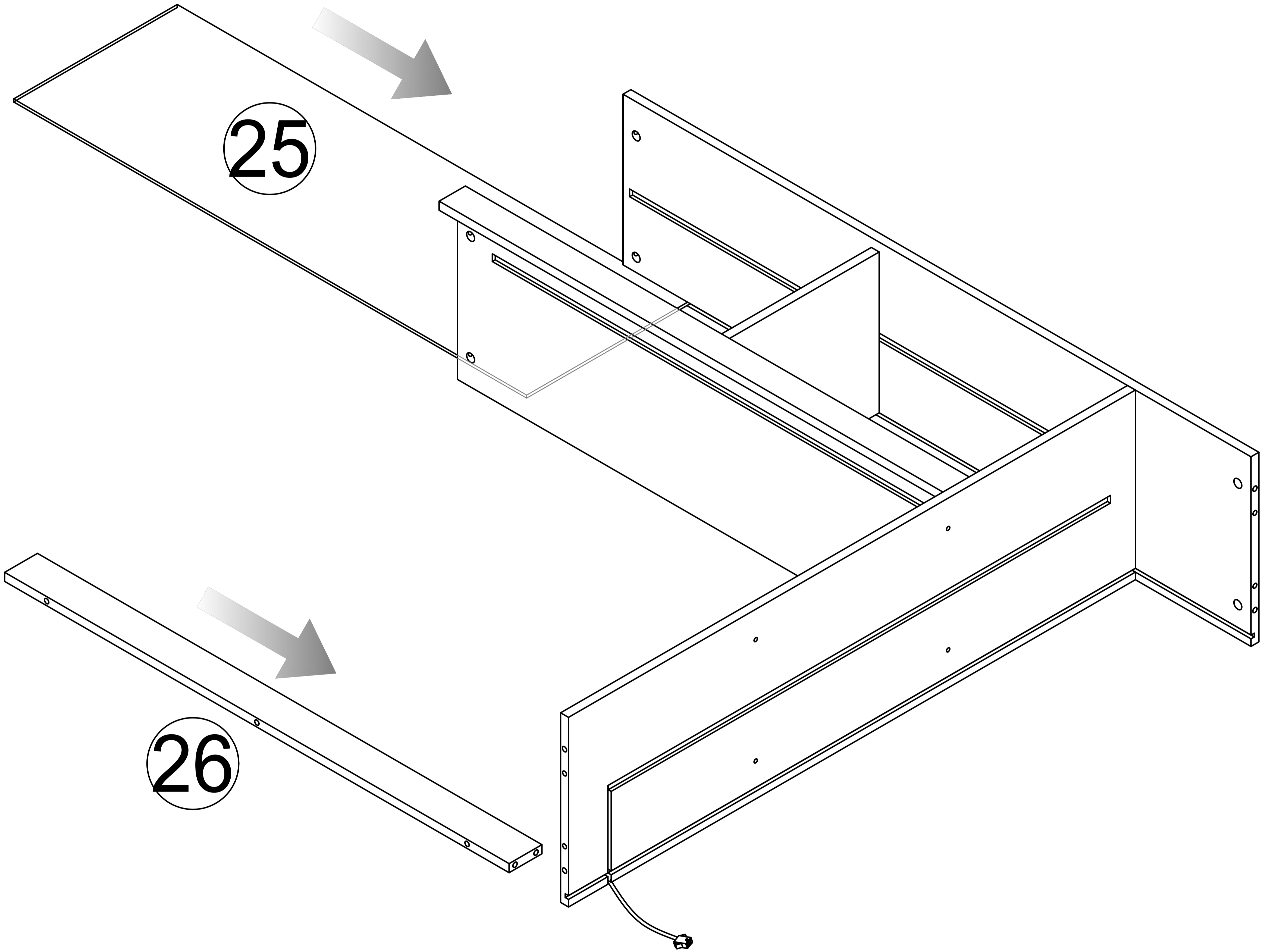
Step 44



Step 45

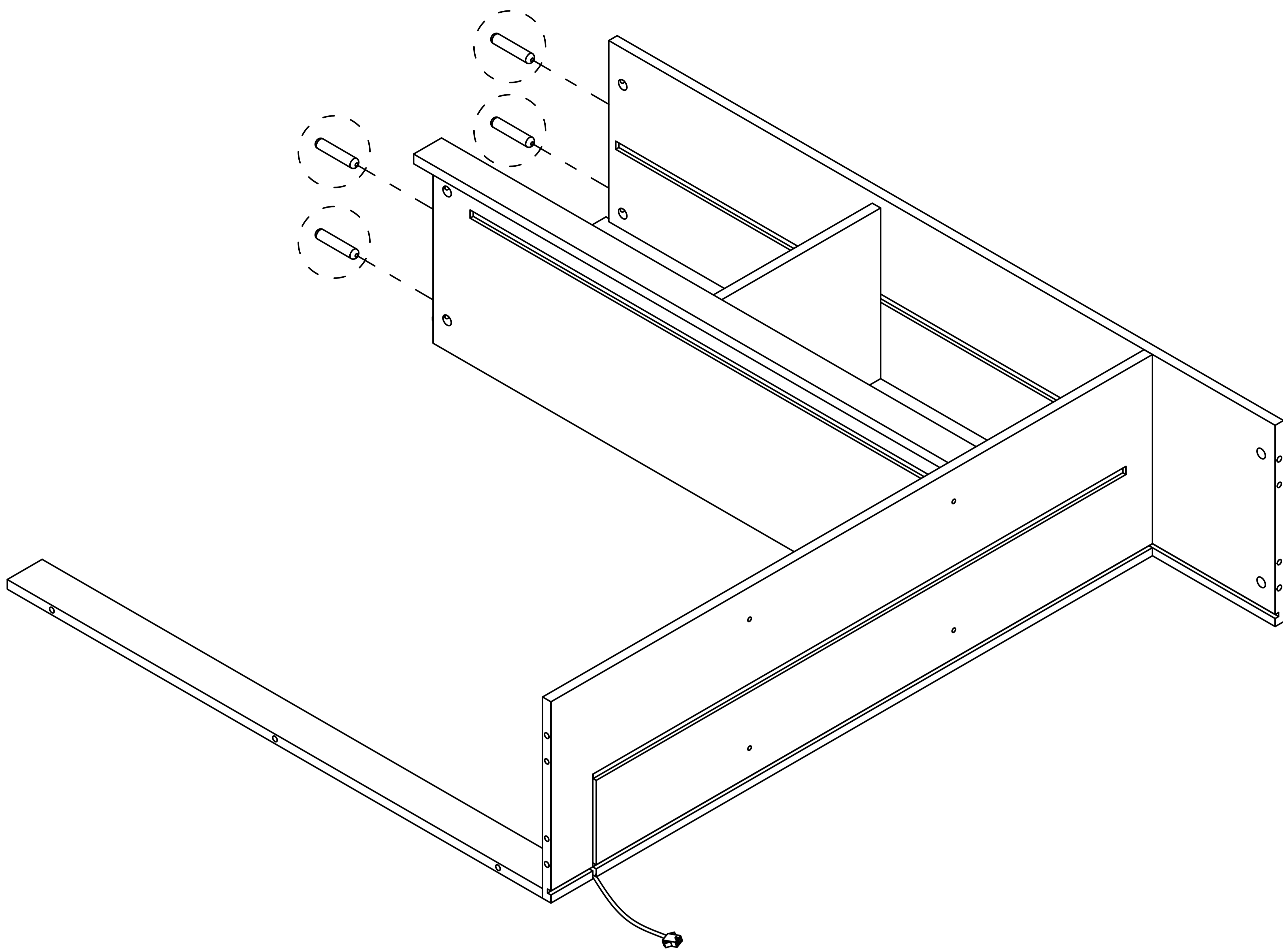
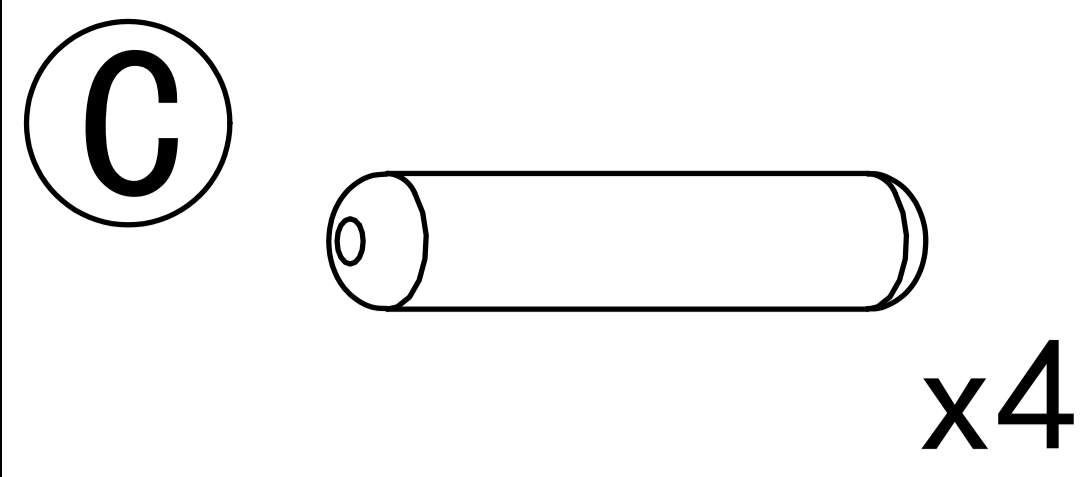


Step 46

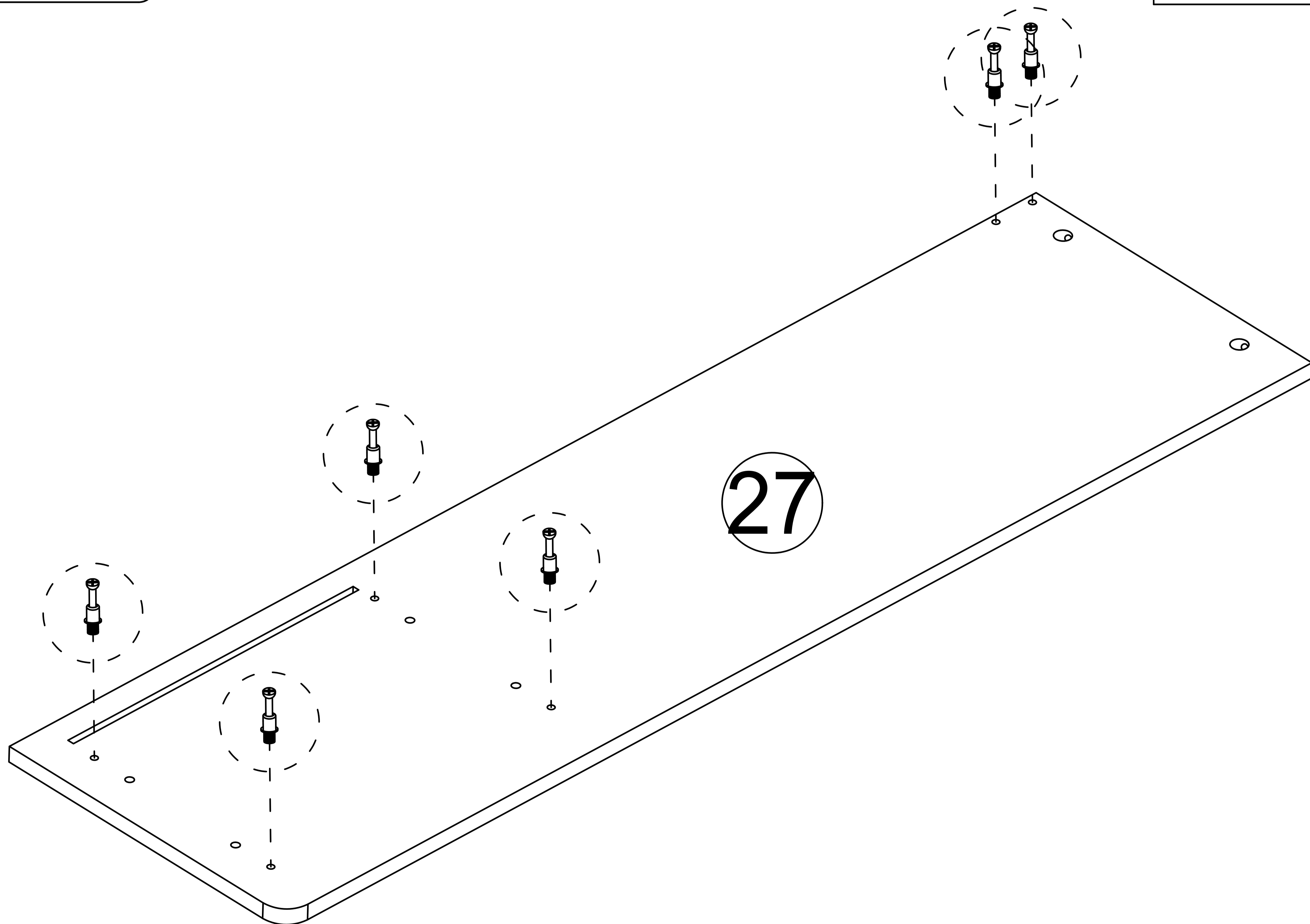
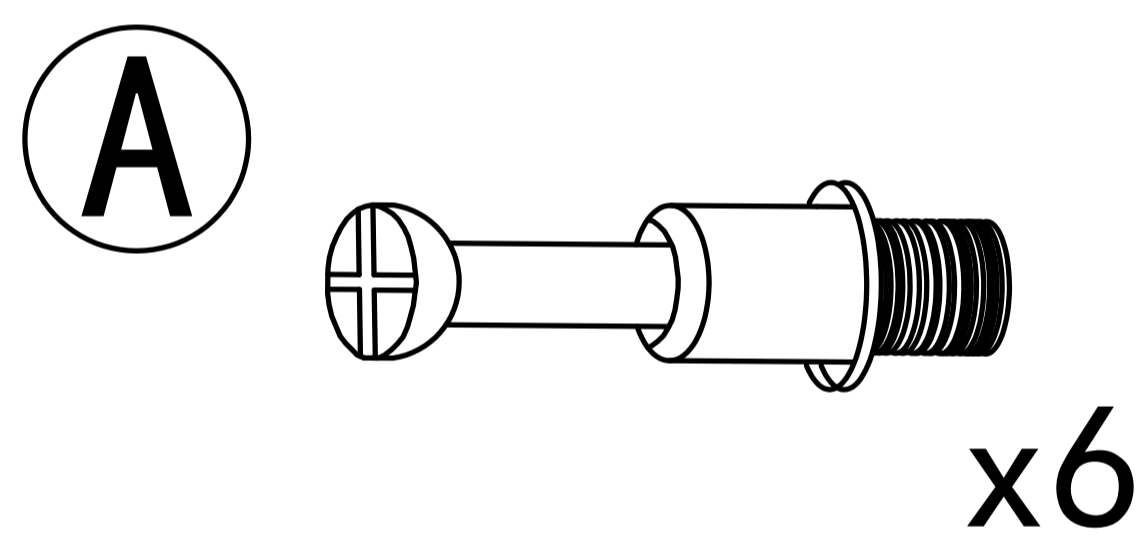


Insert board No.26 first, and then fasten the nuts later.

Step 47

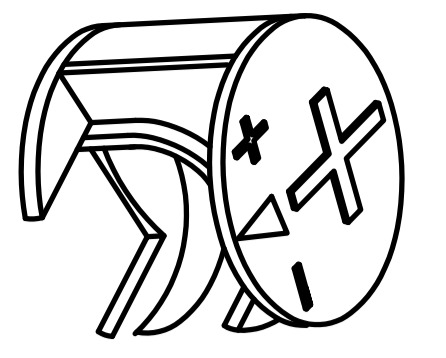


Step 48

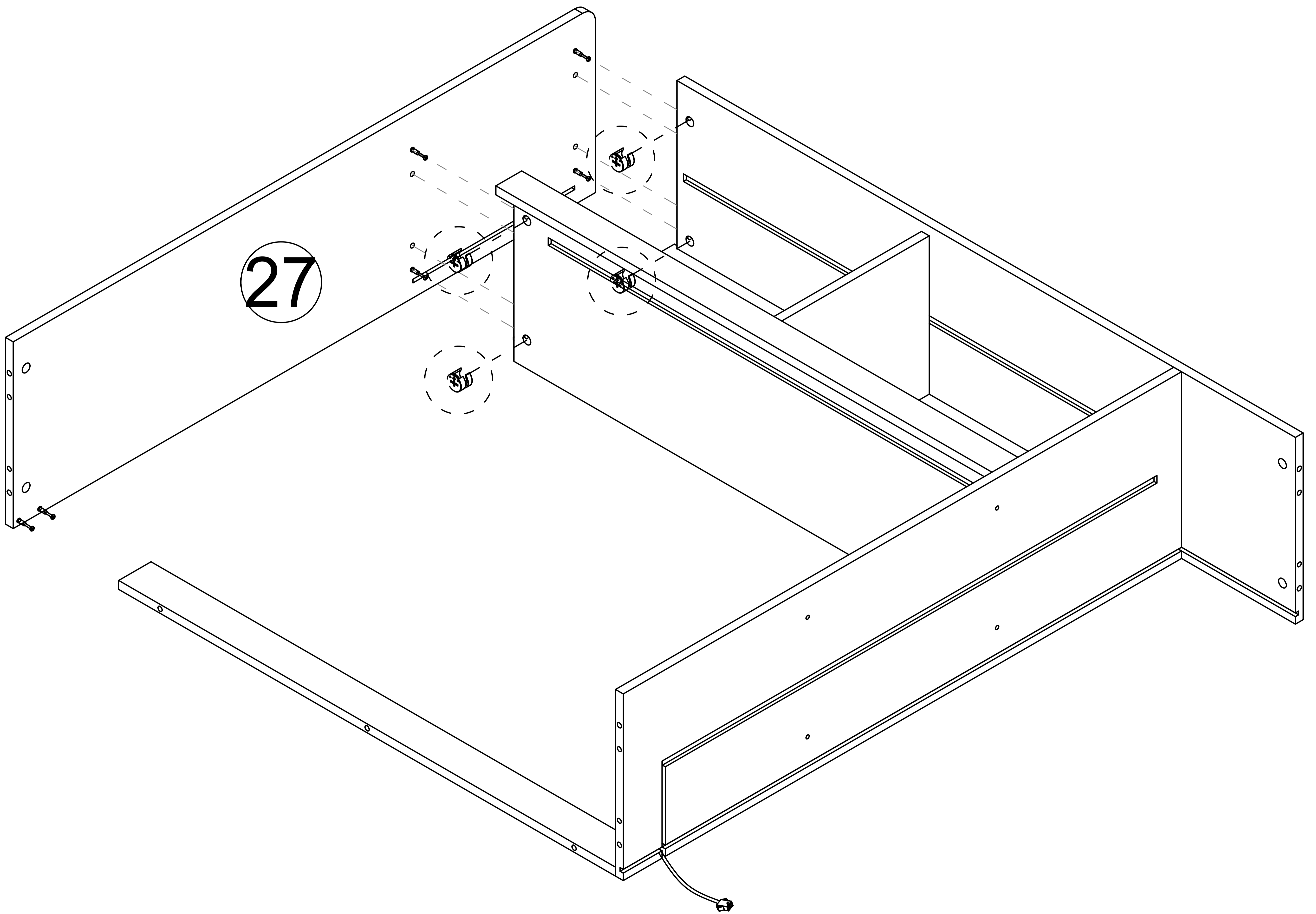


Step 49

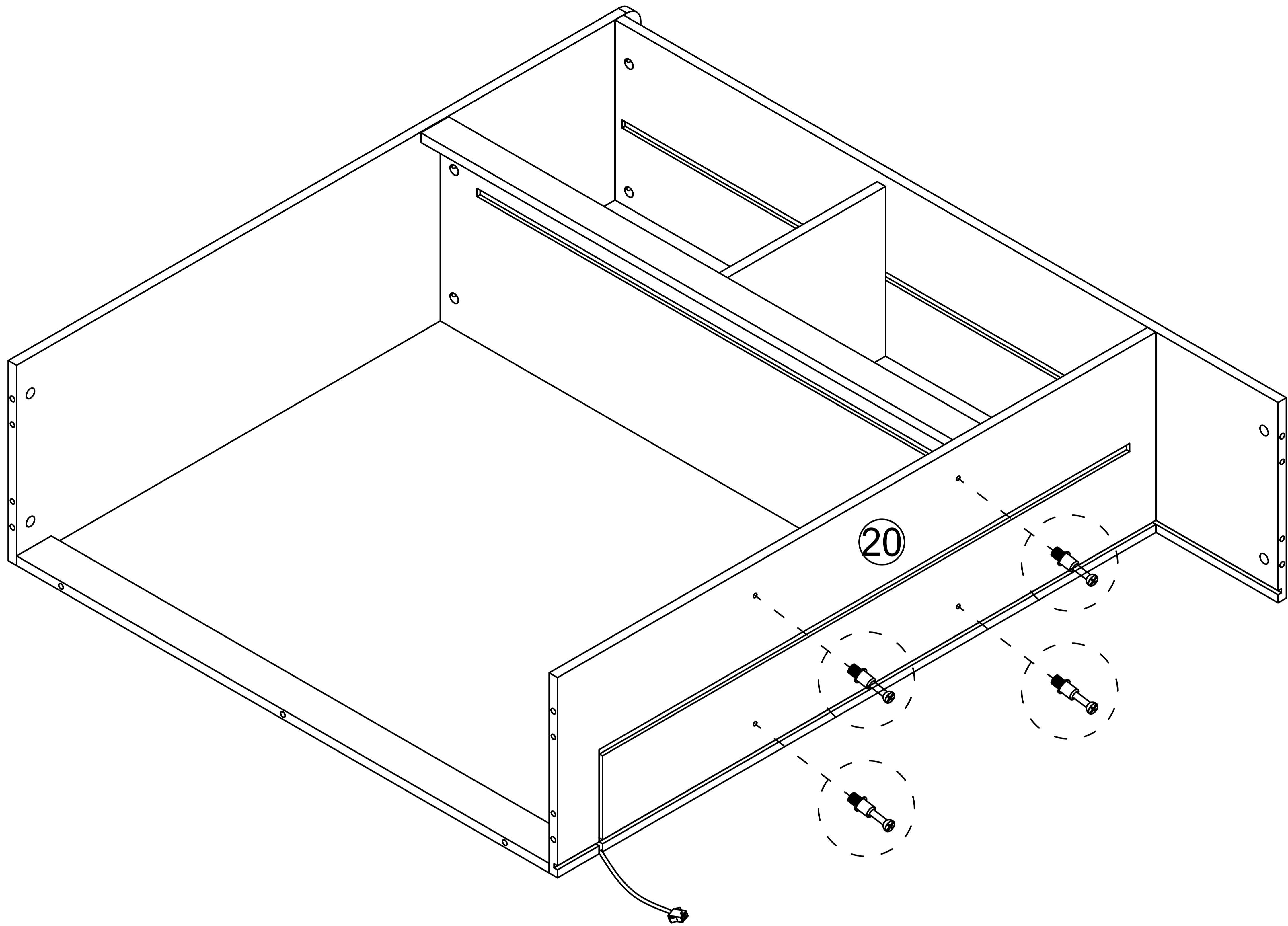
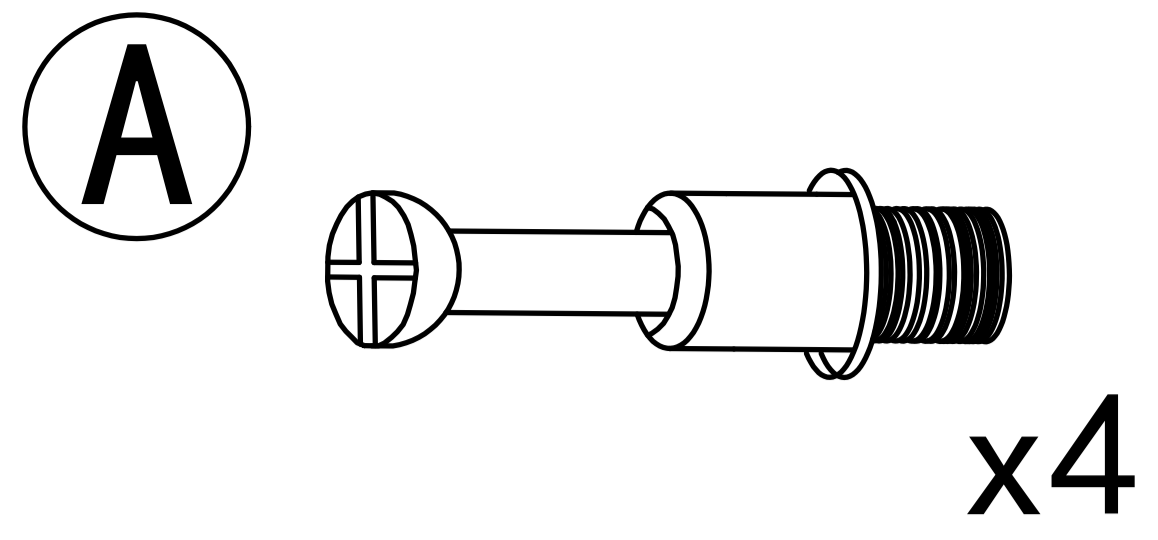
B



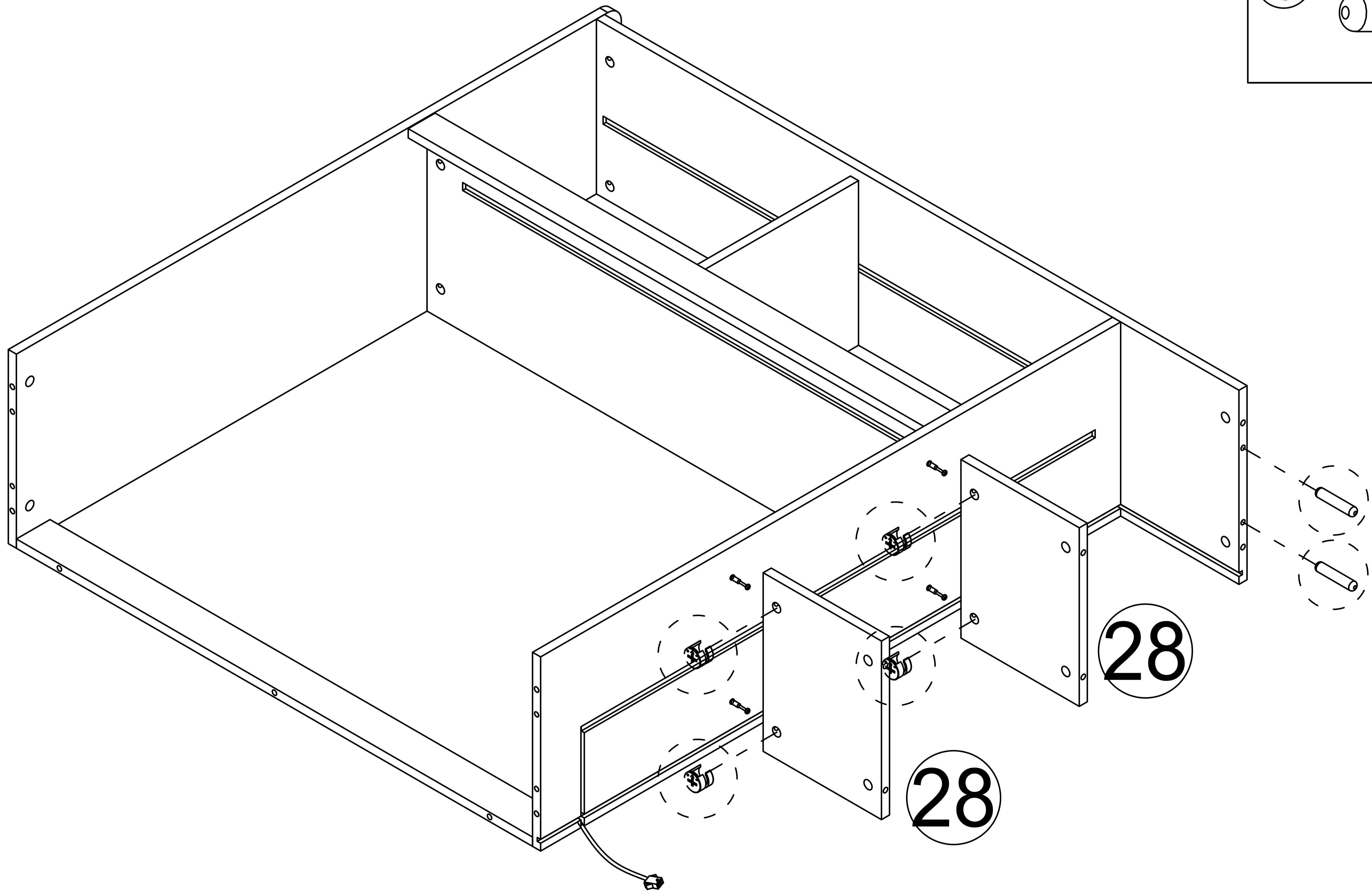
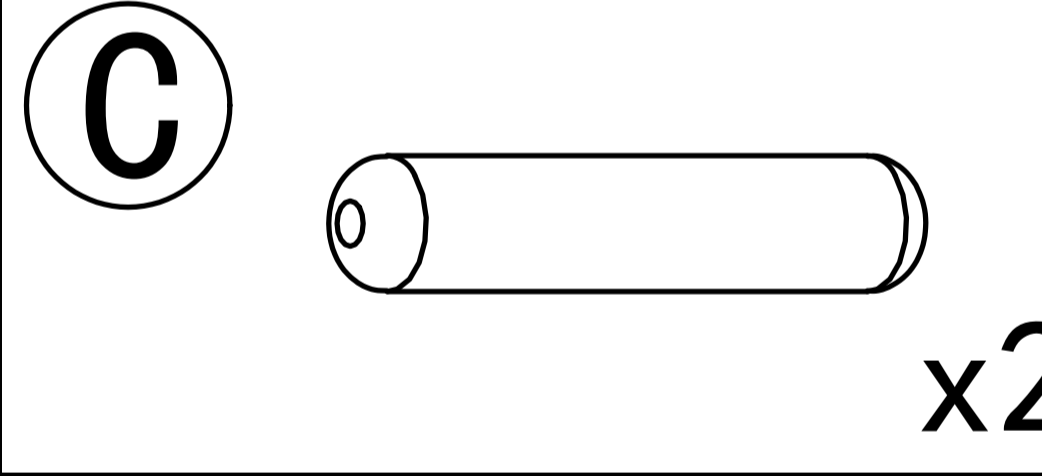
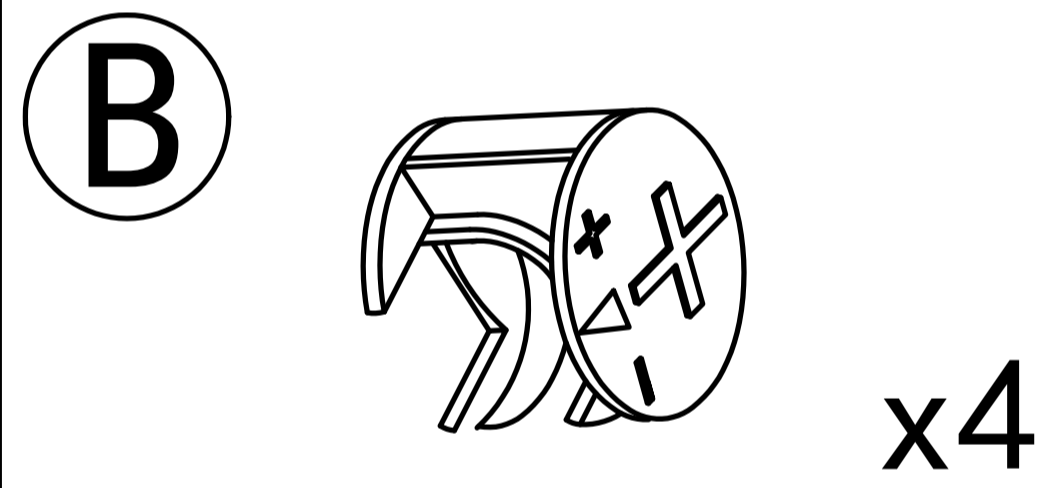
x4



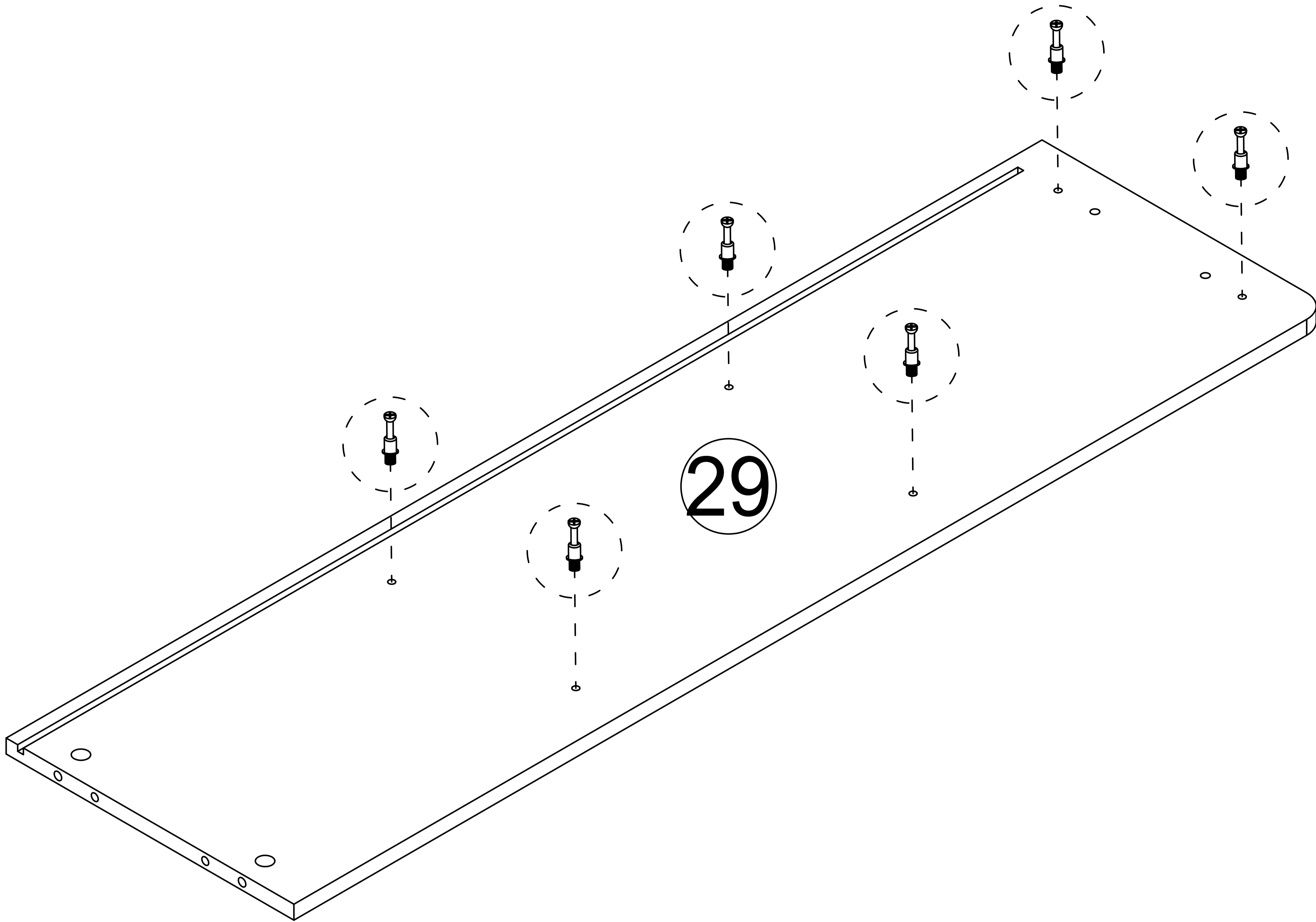
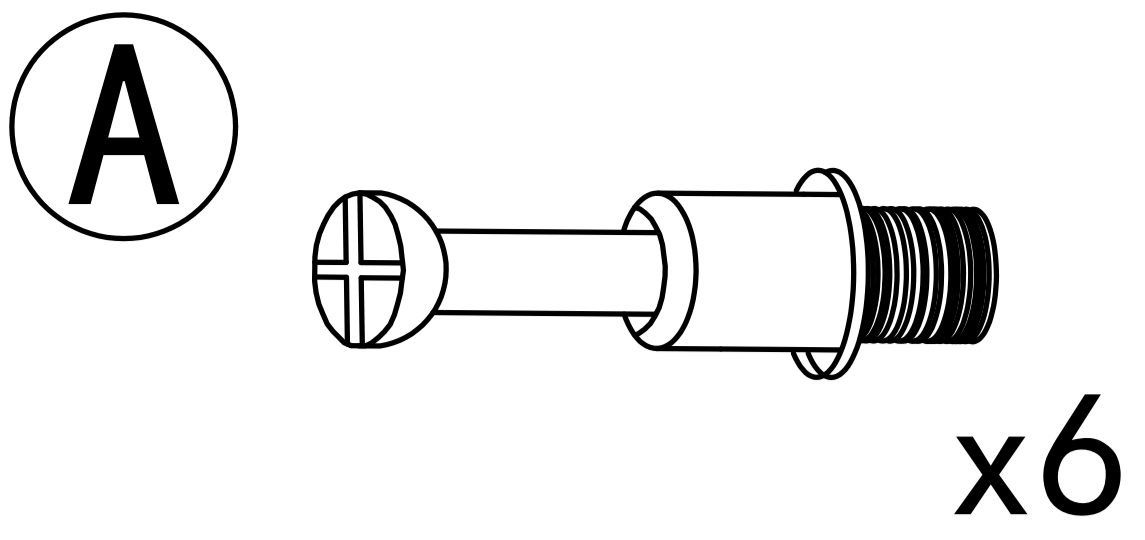
Step 50



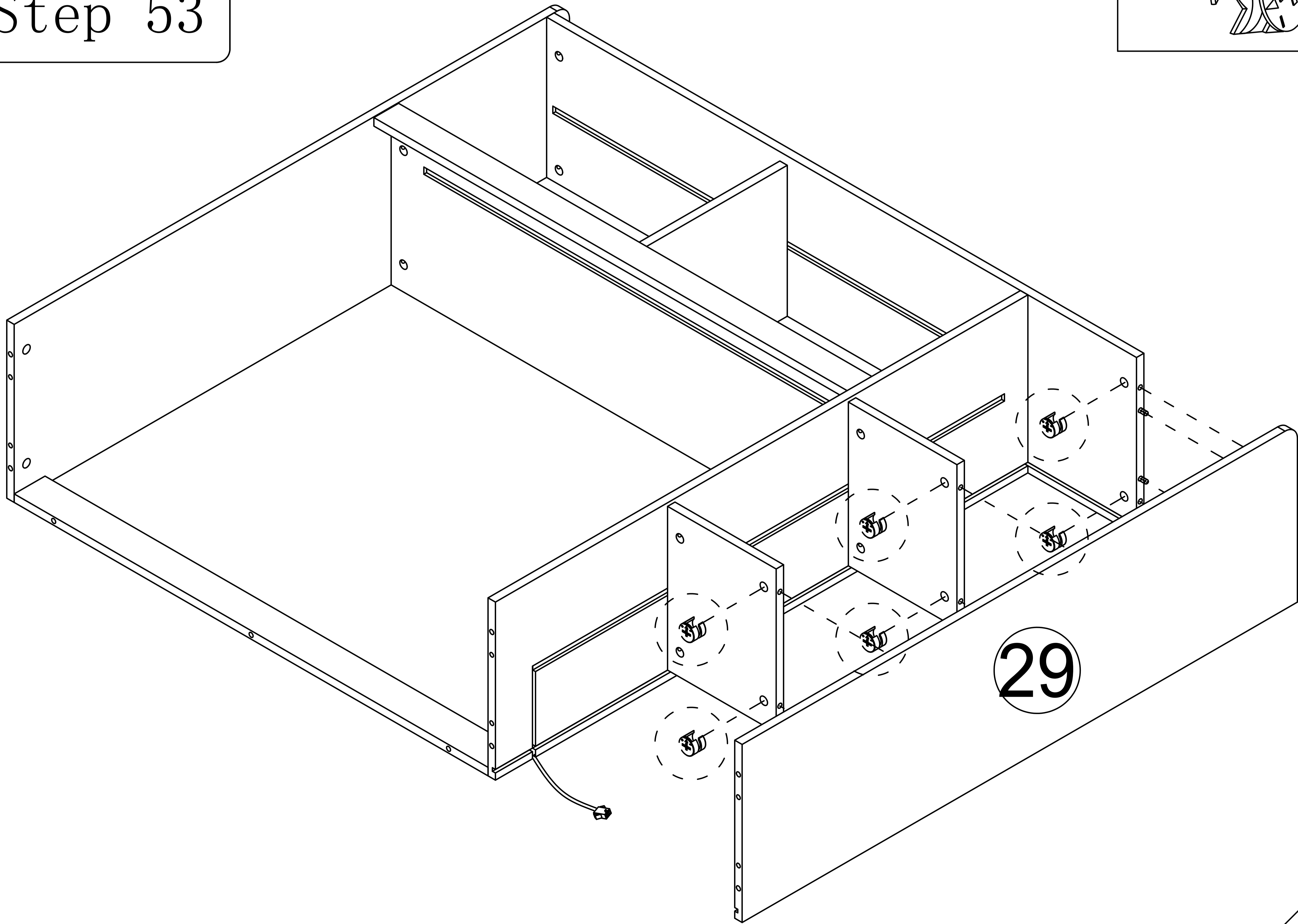
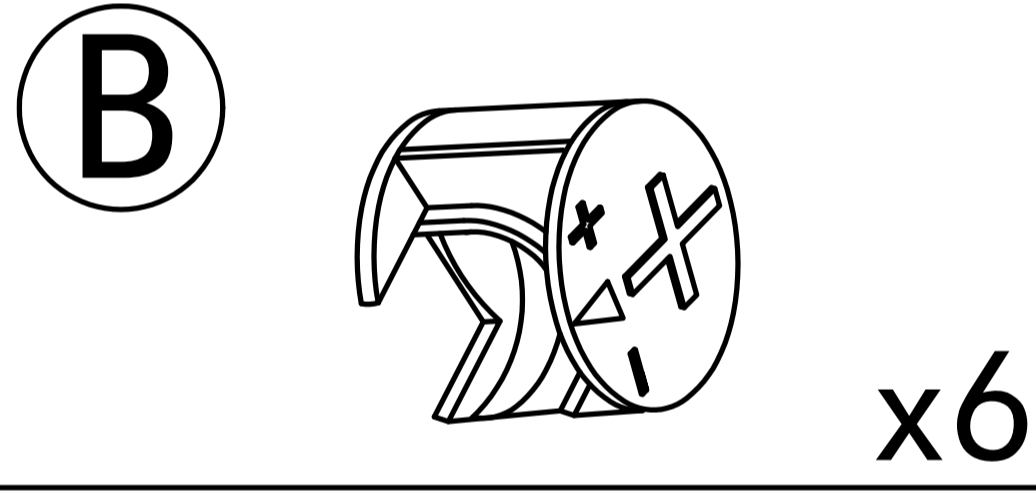
Step 51



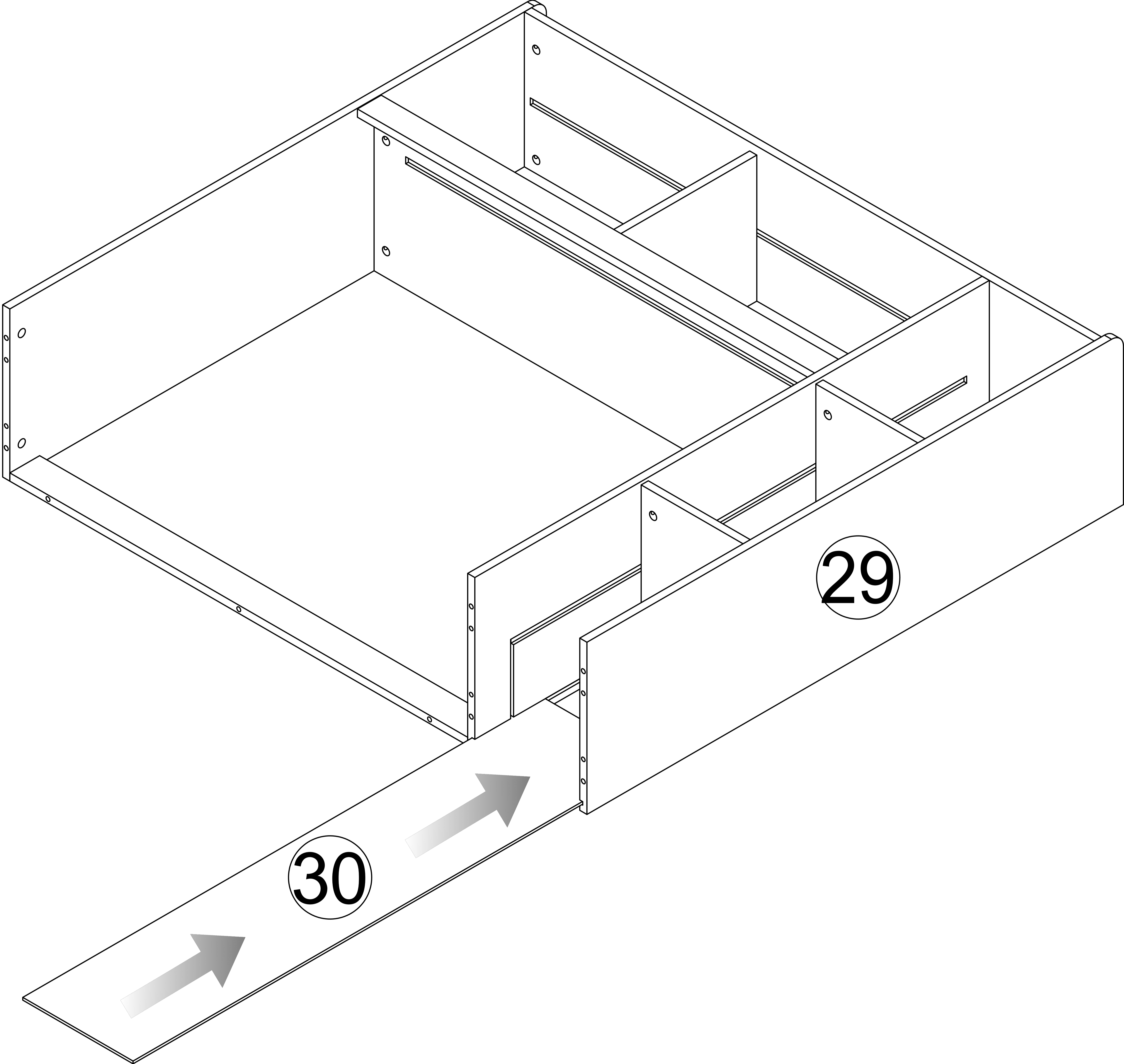
Step 52



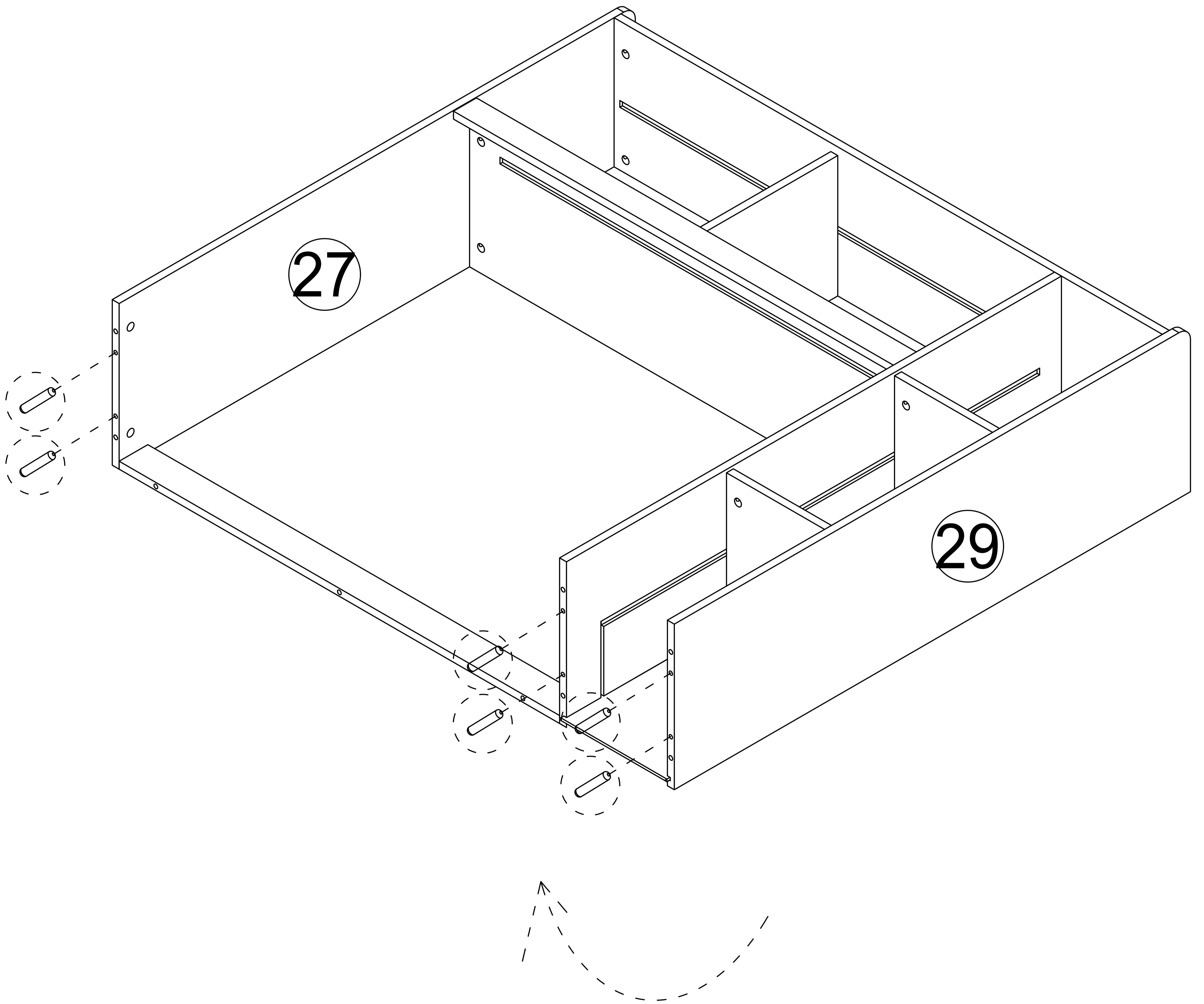
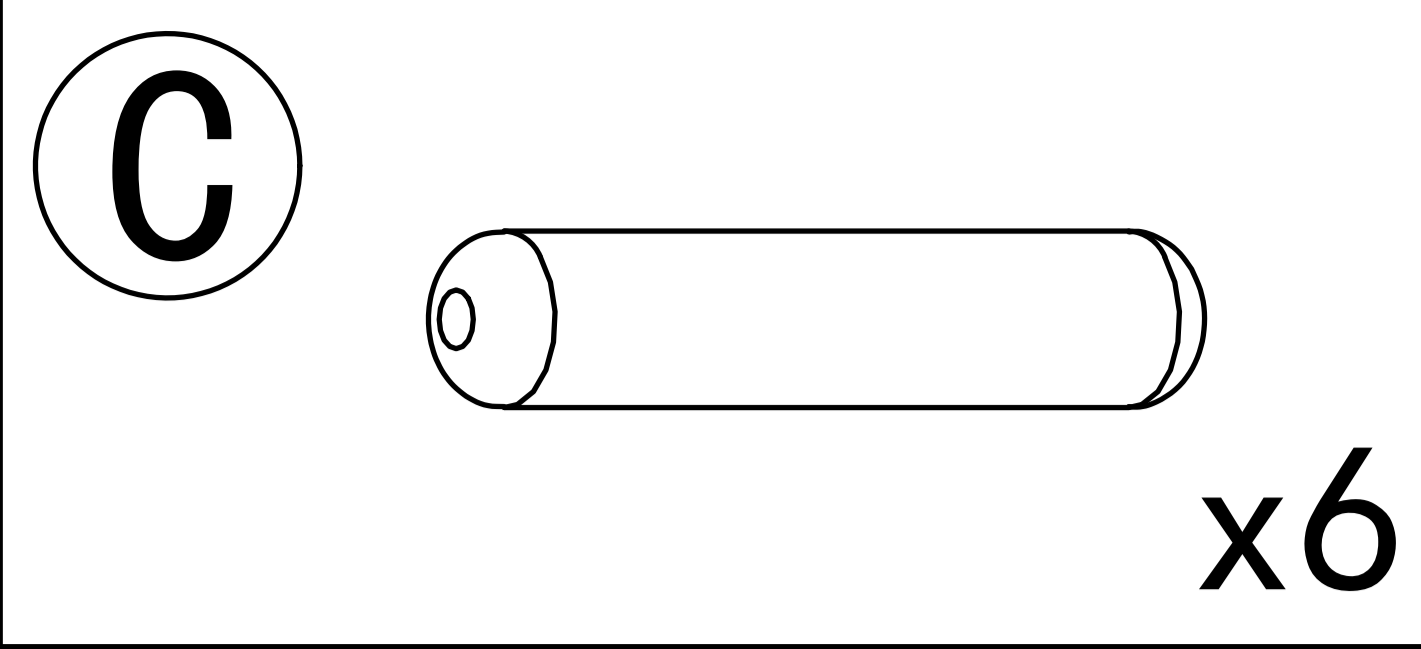
Step 53



Step 54

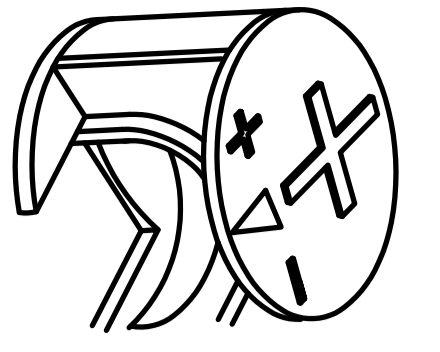


Step 55

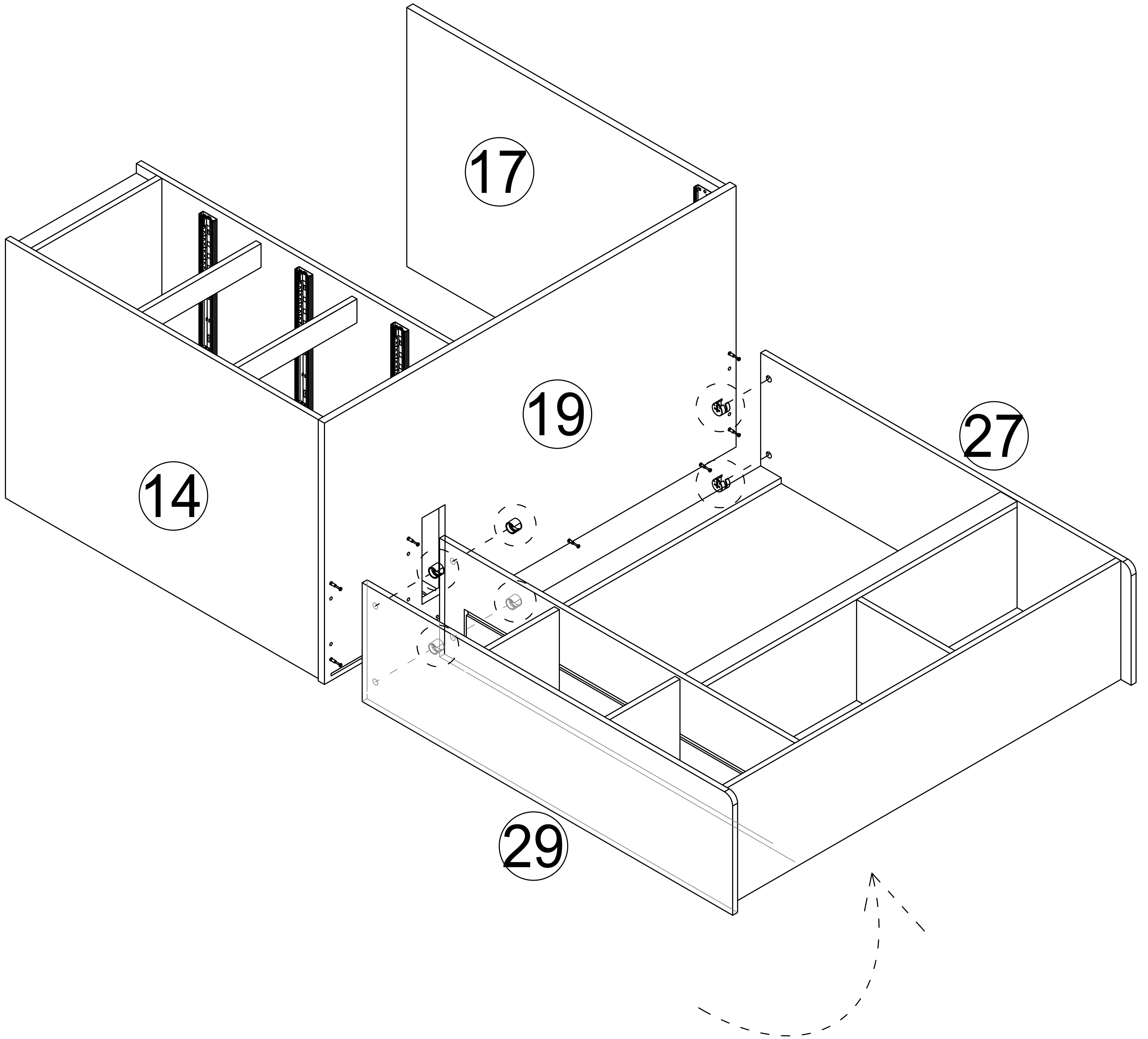


Step 56

B



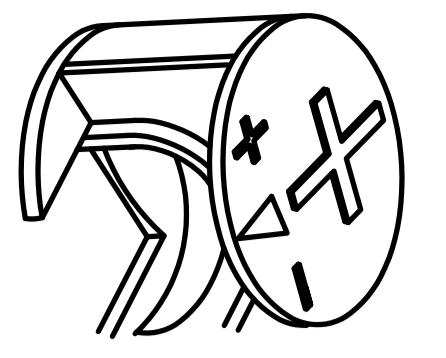
x6



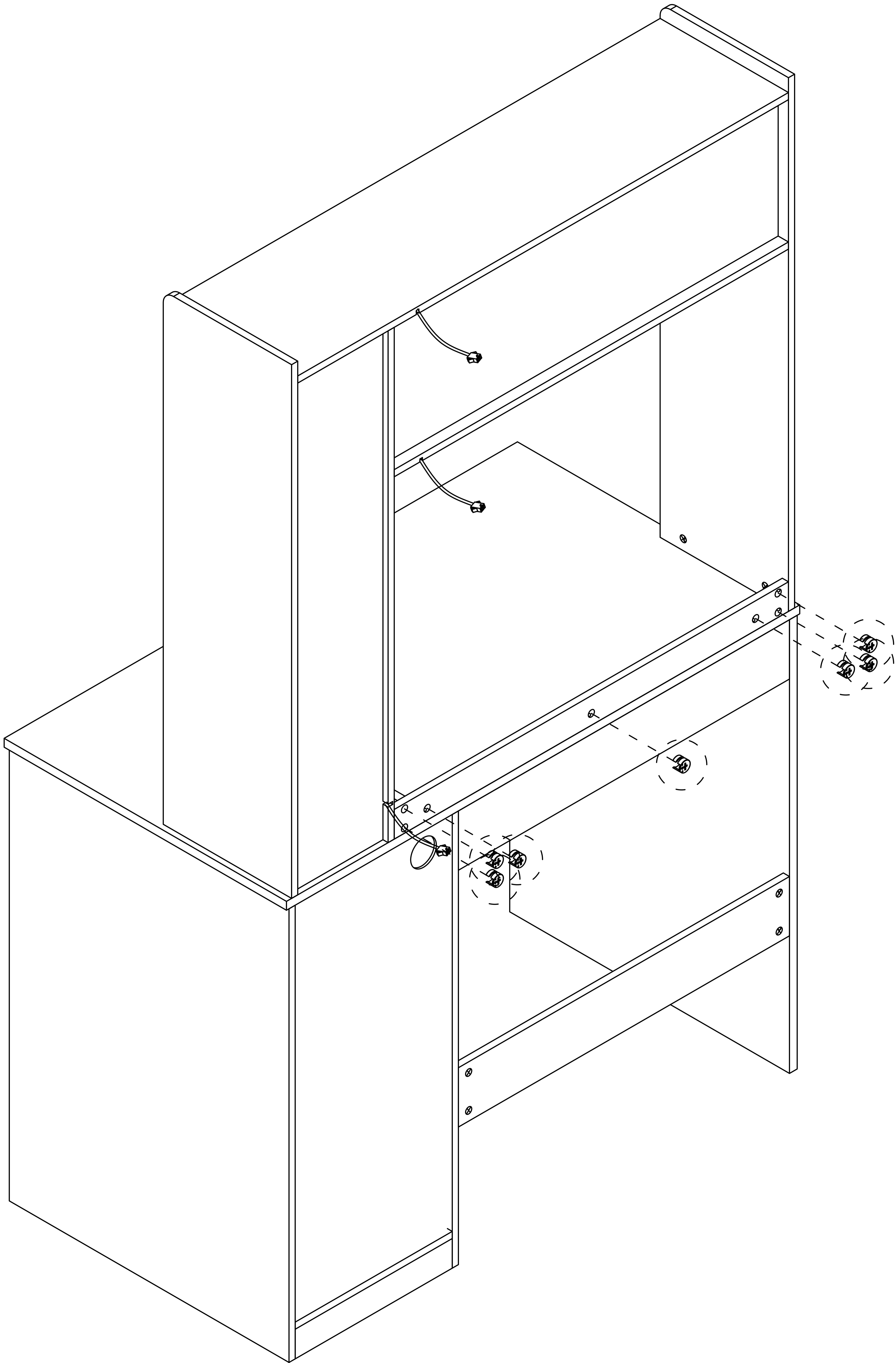
This step need two people to operate and hold on it together

Step 57

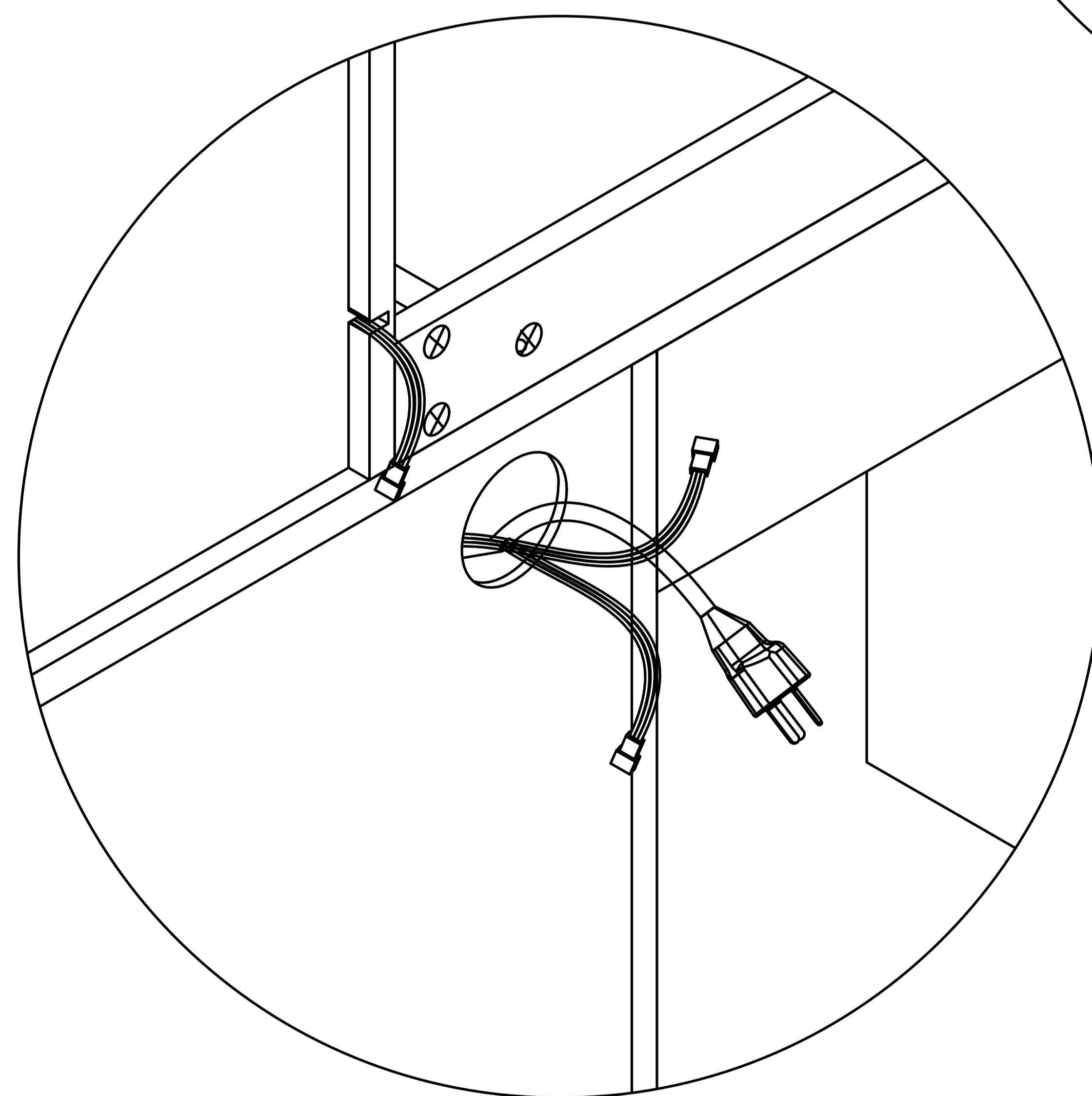
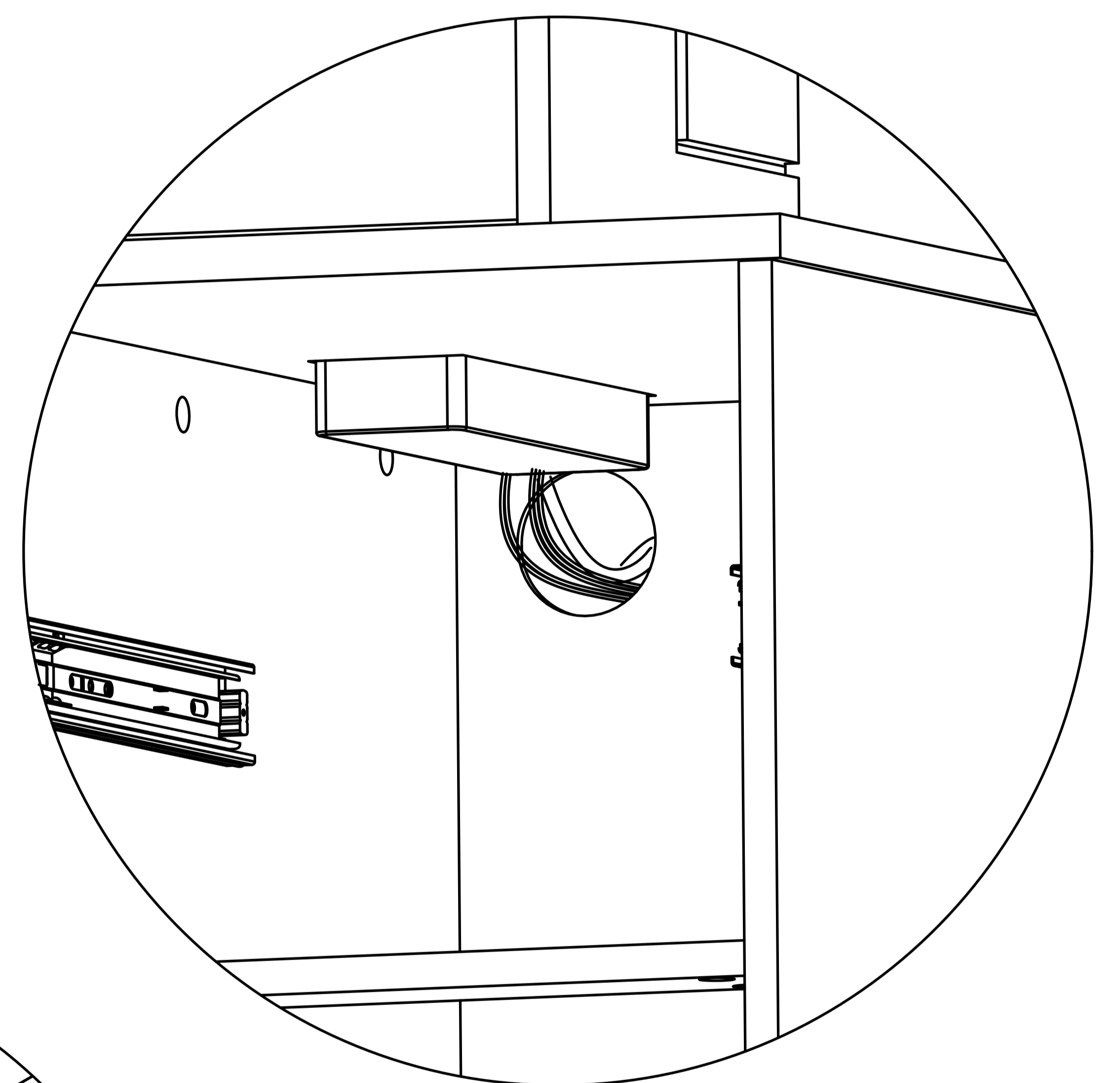
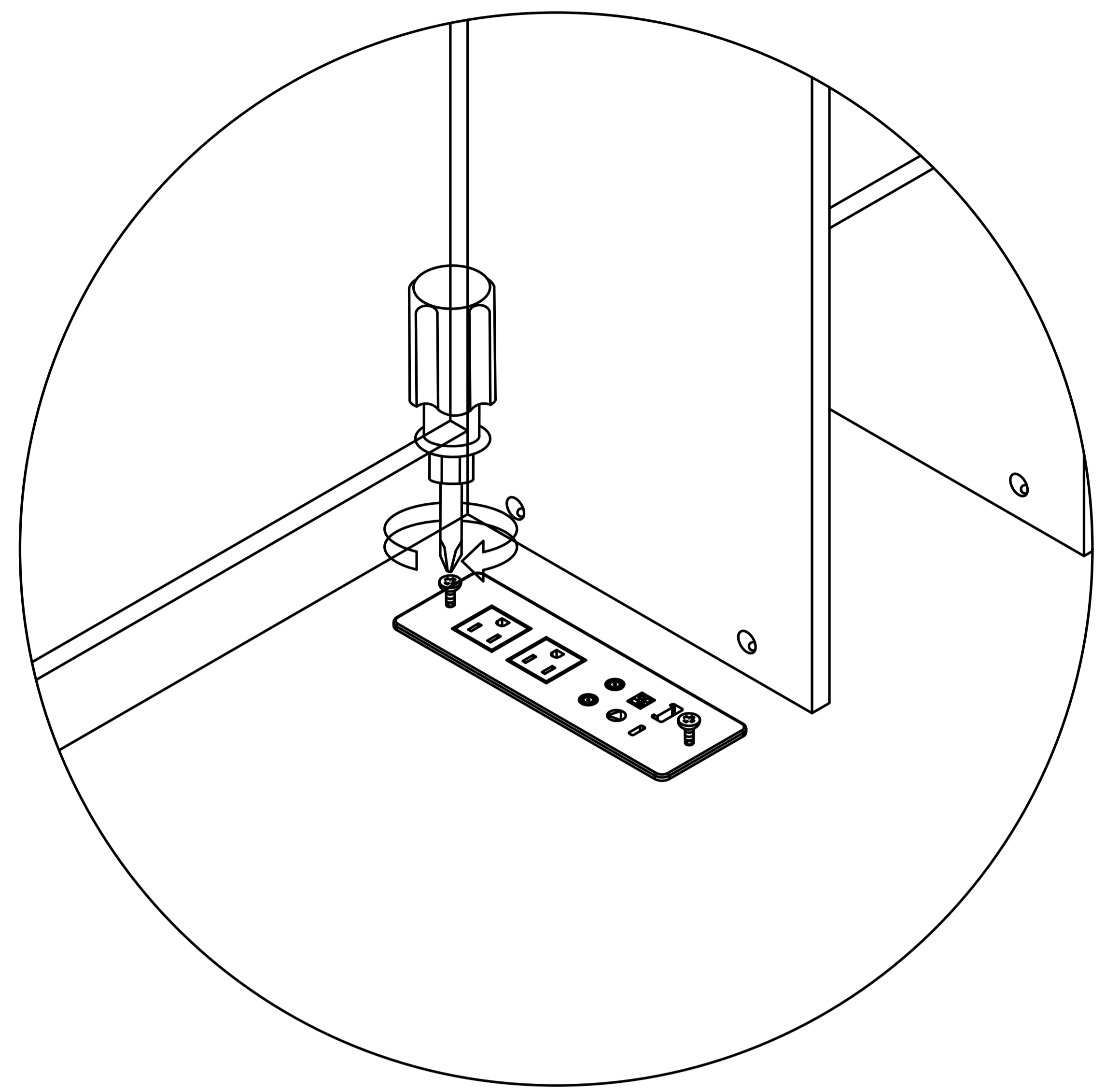
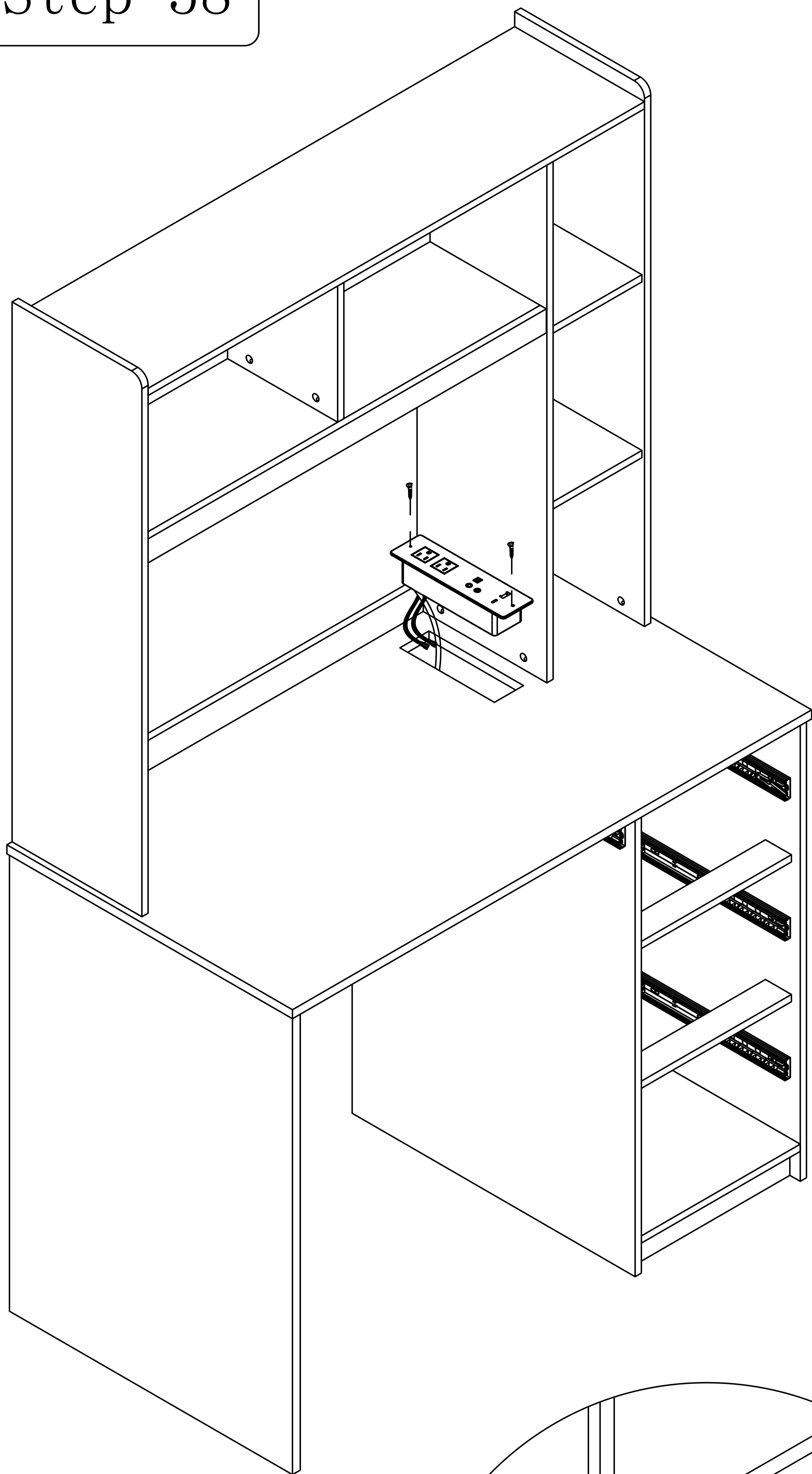
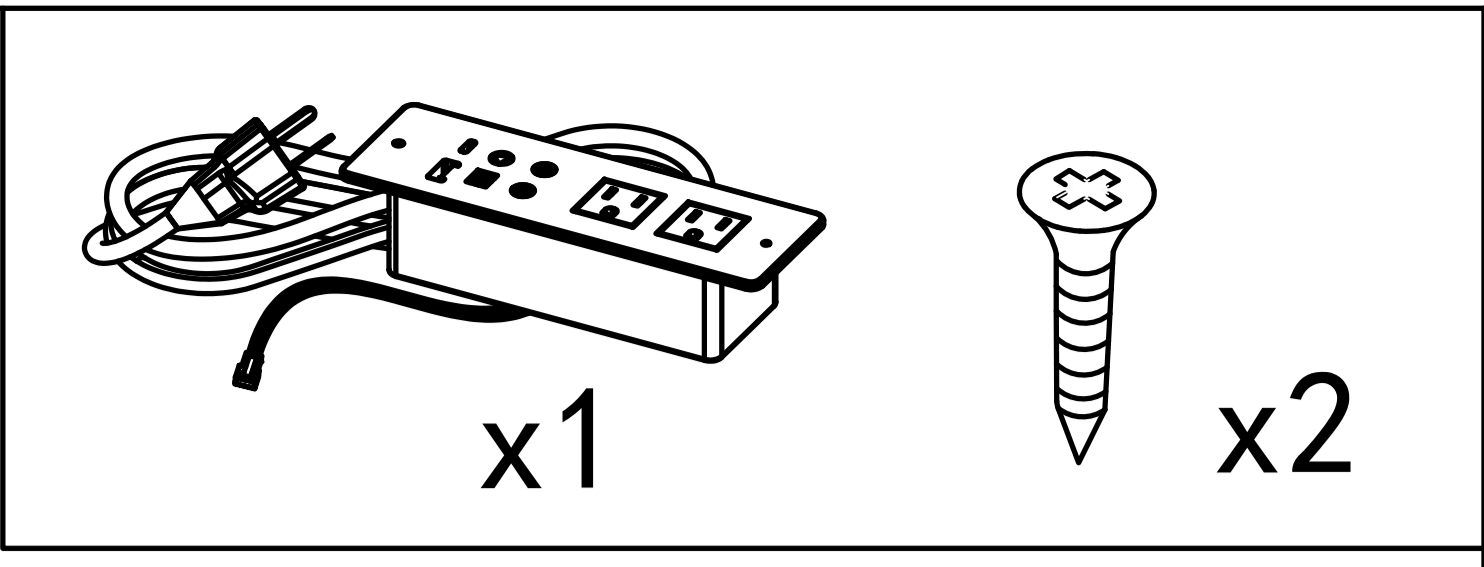
B



x7

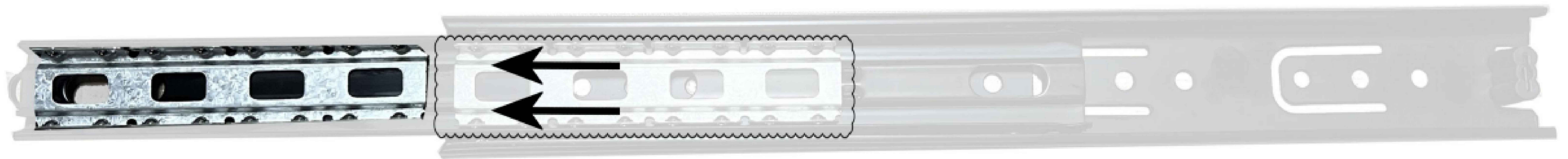


Step 58

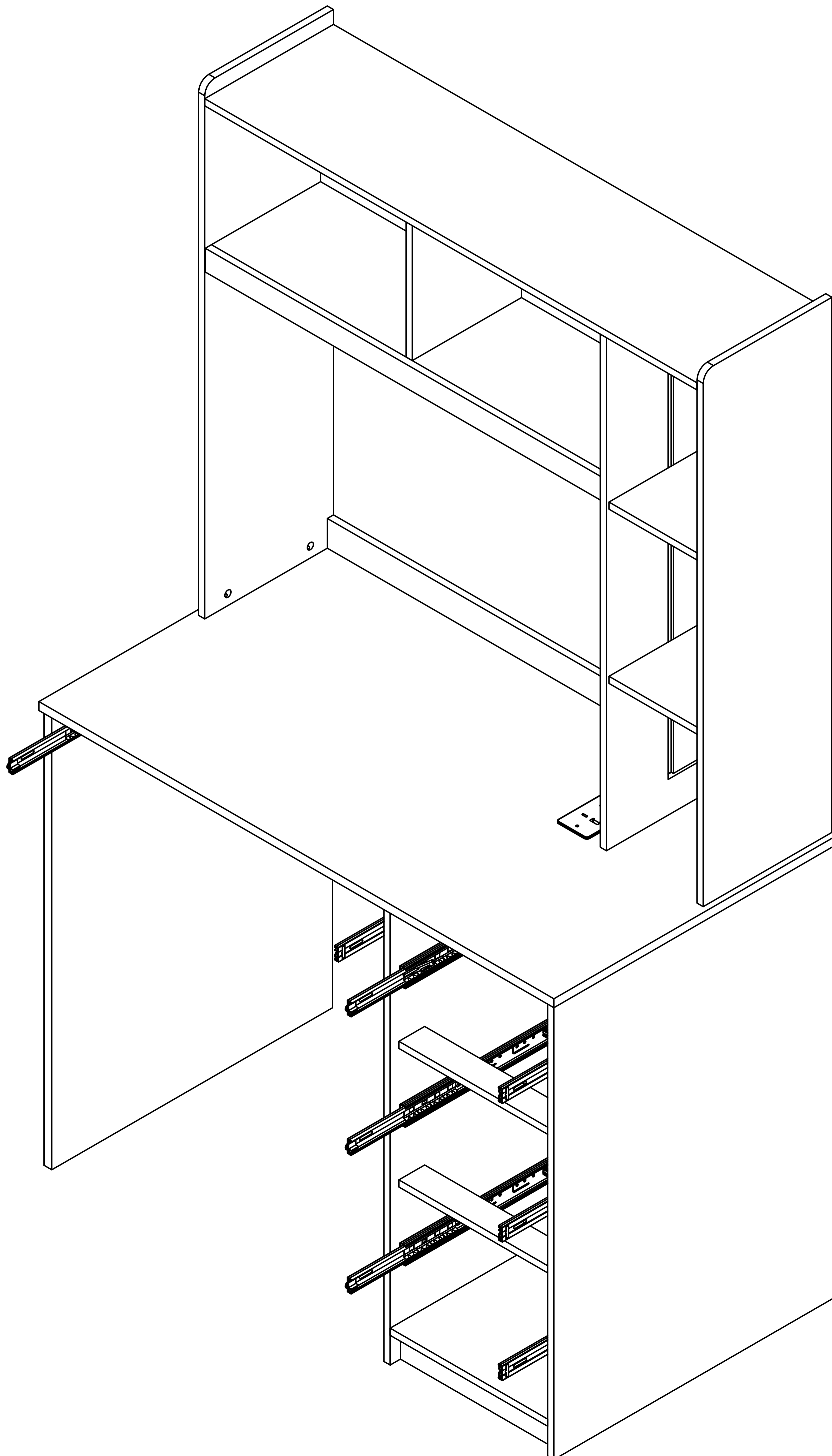


The wire exits through the back panel hole.

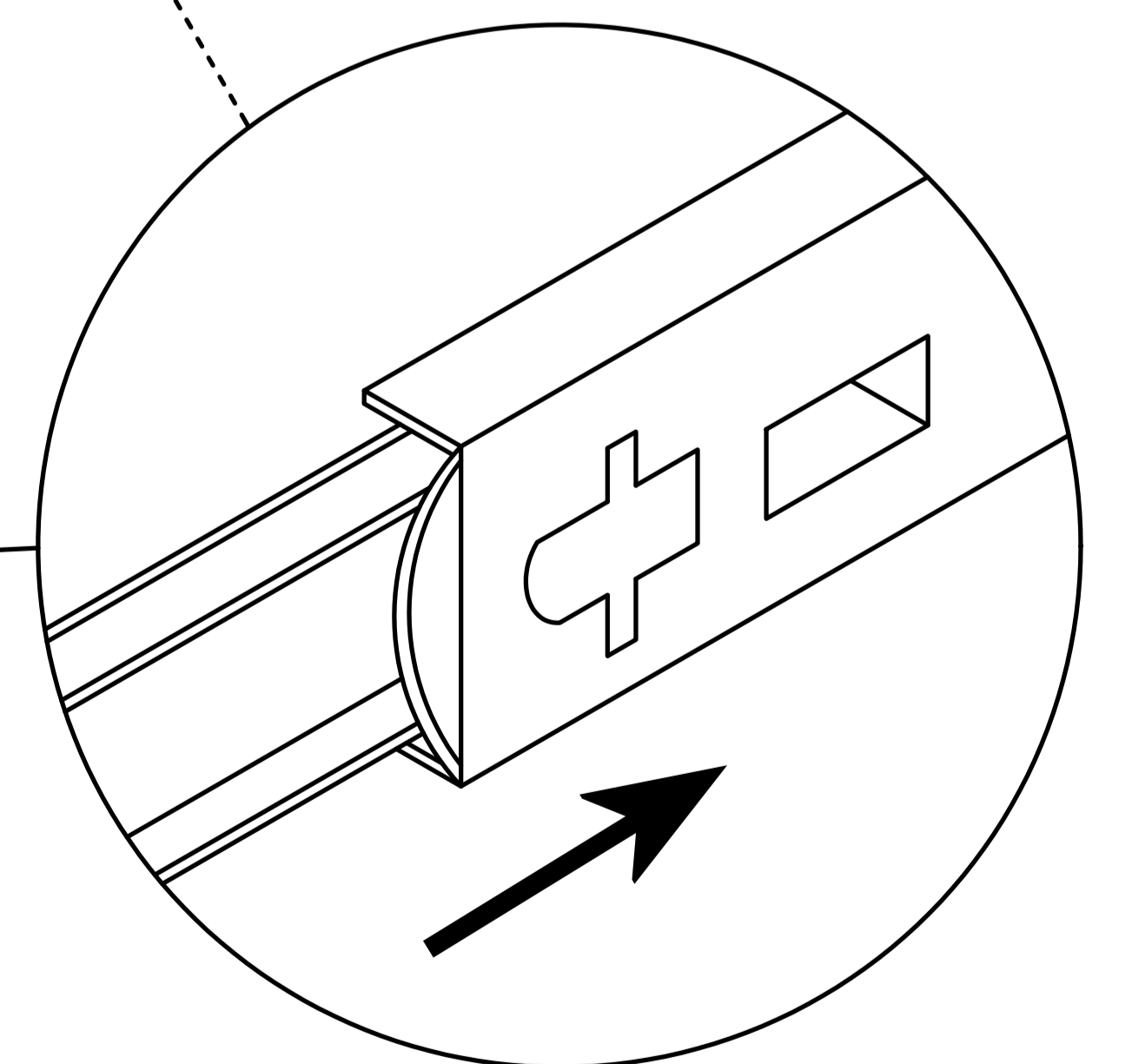
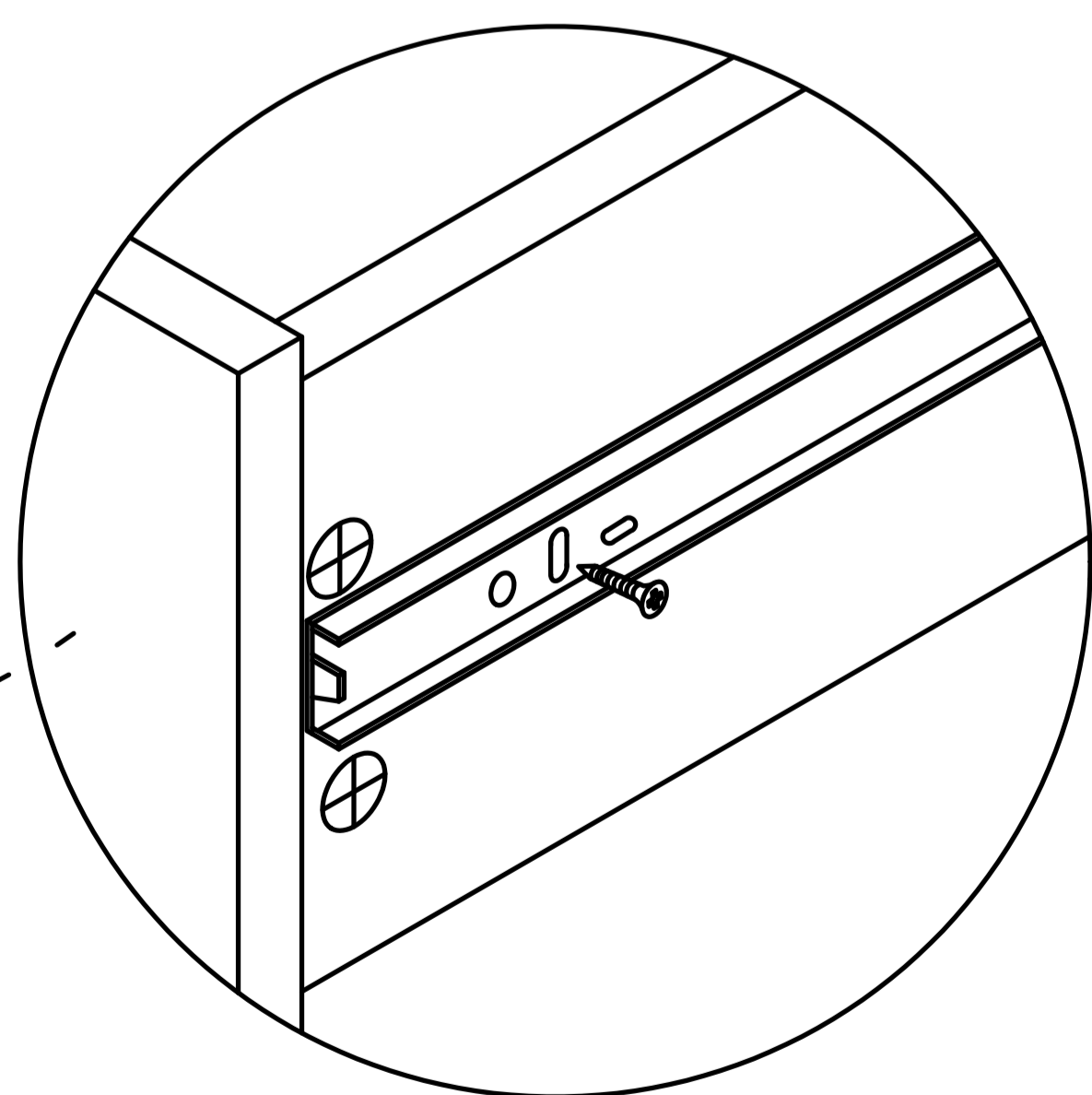
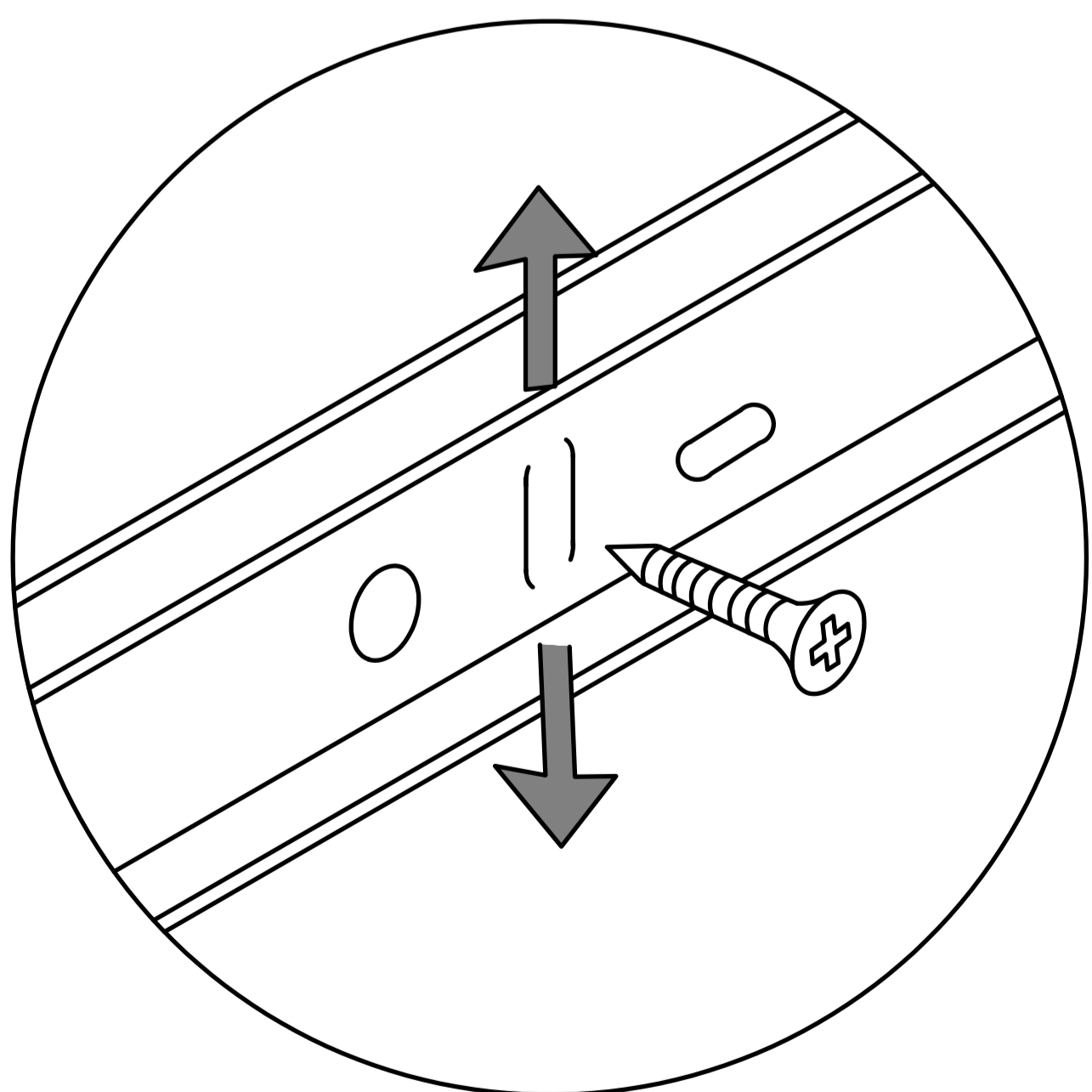
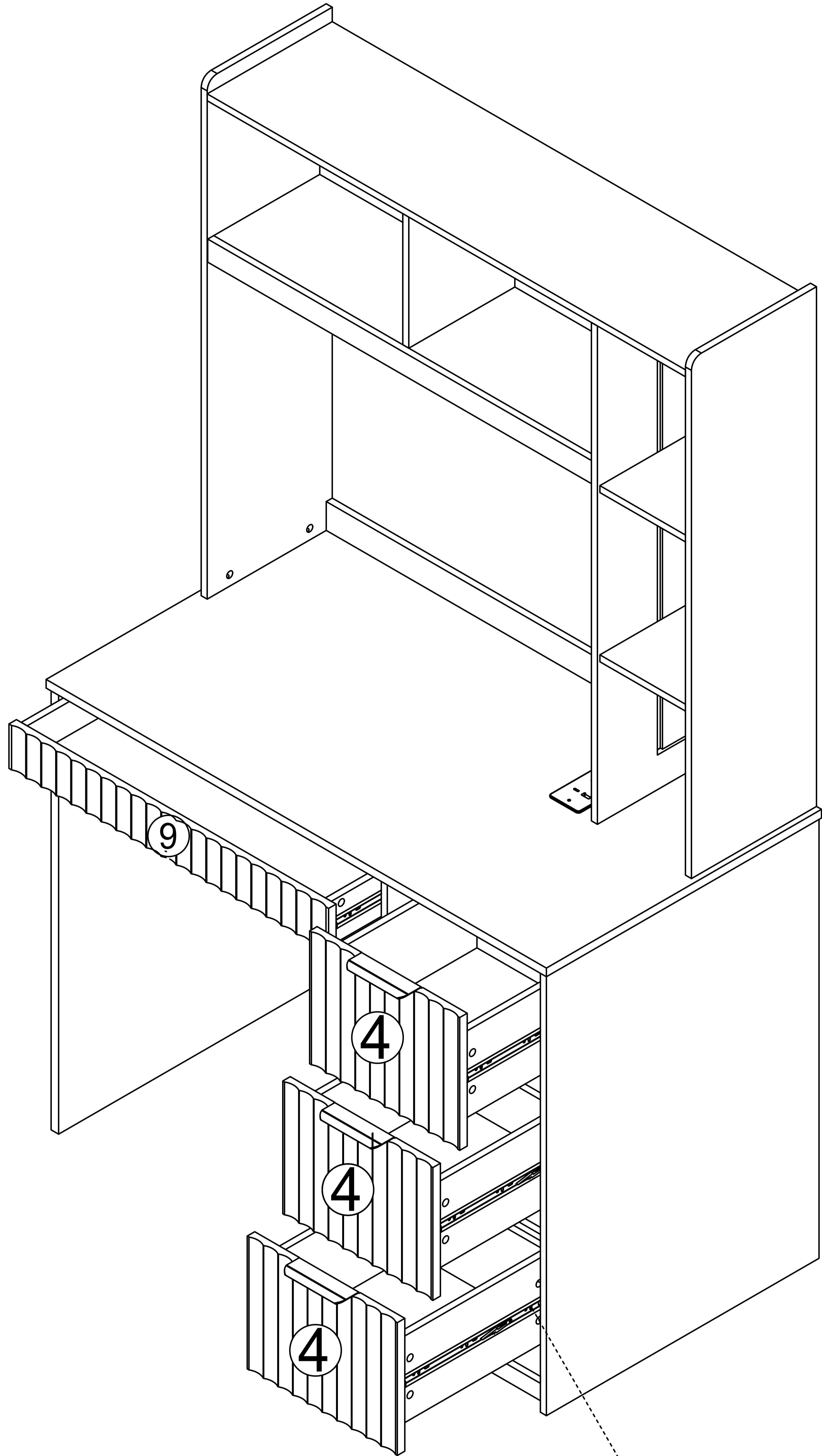
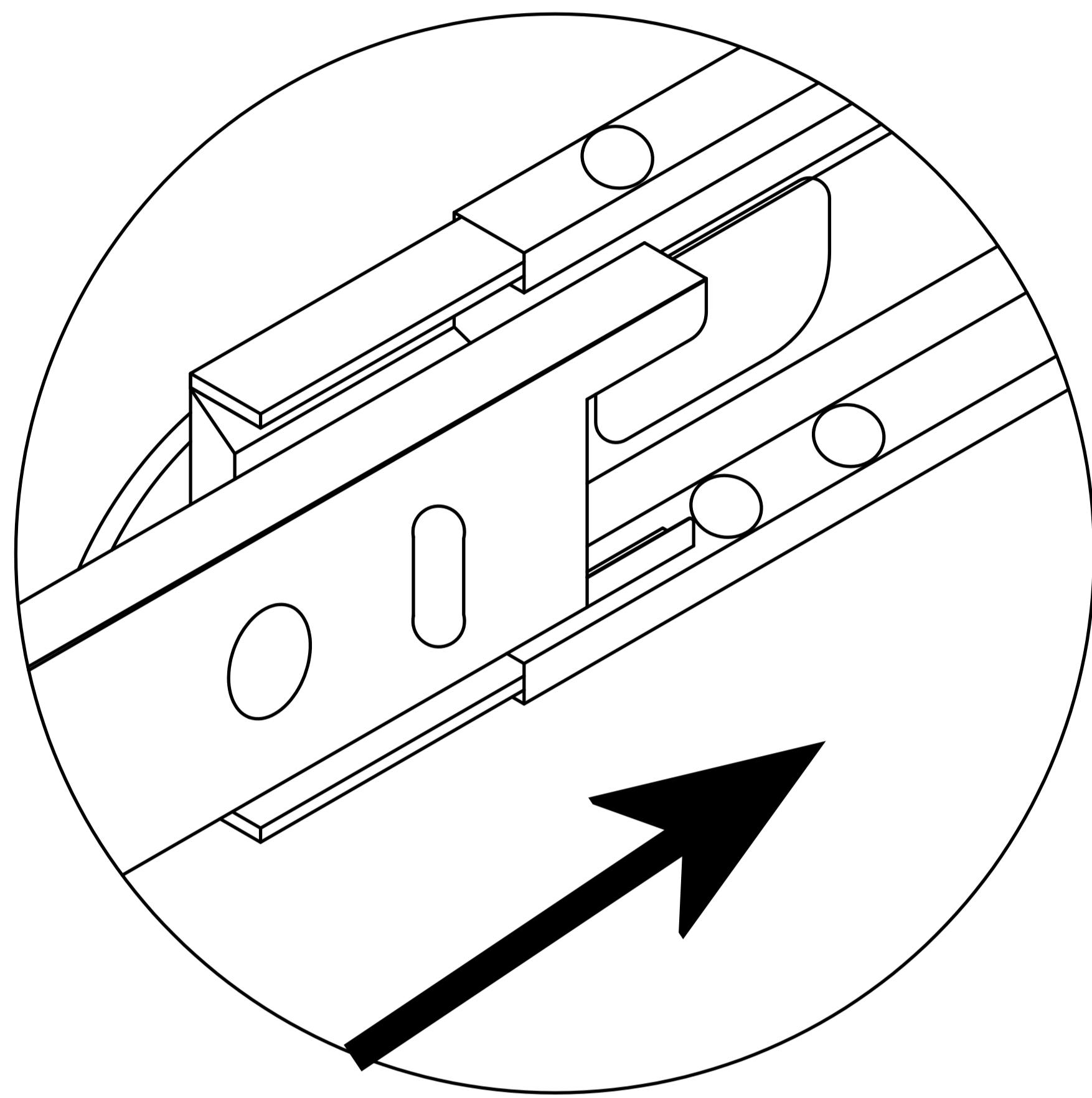
Step 59



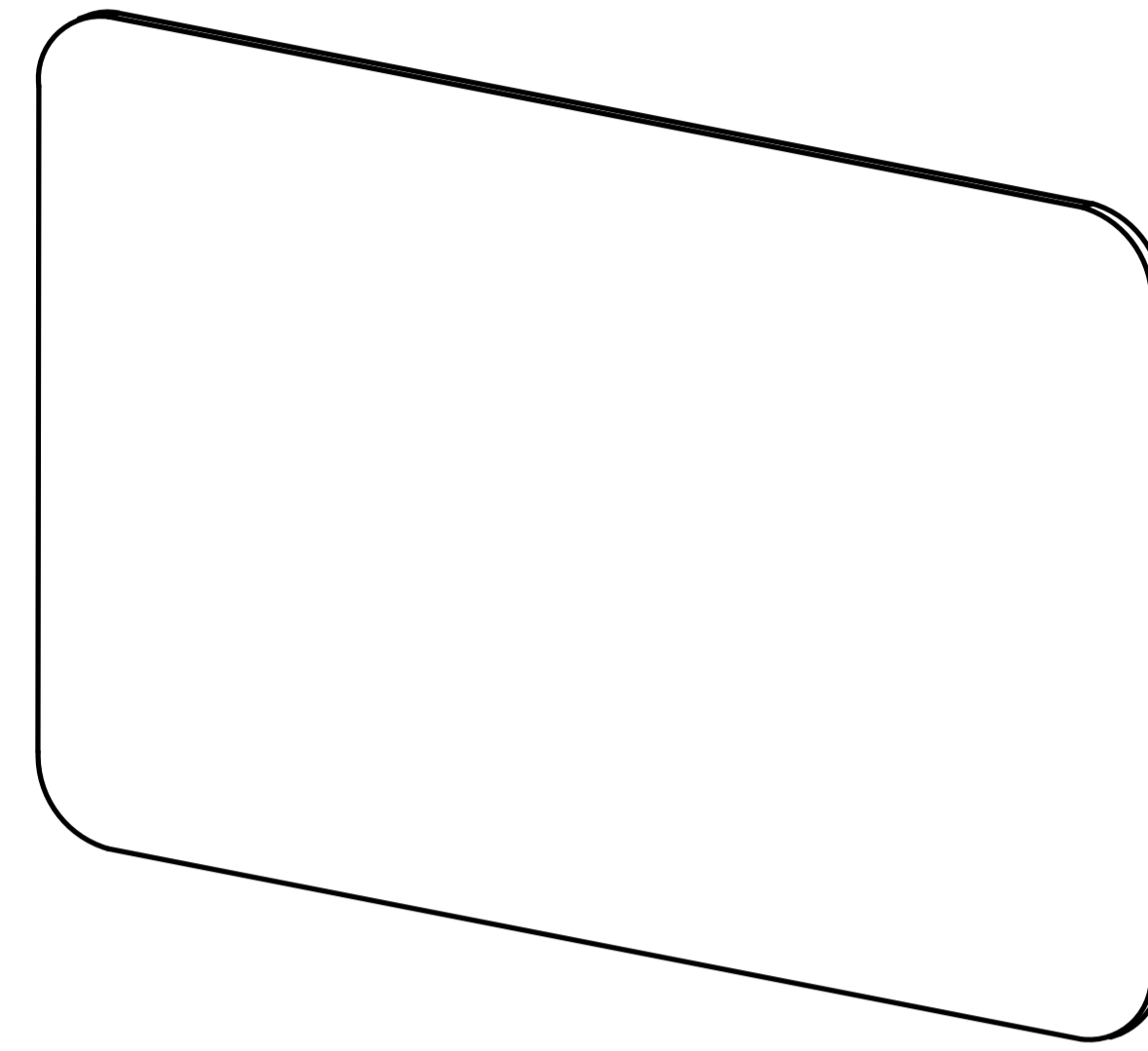
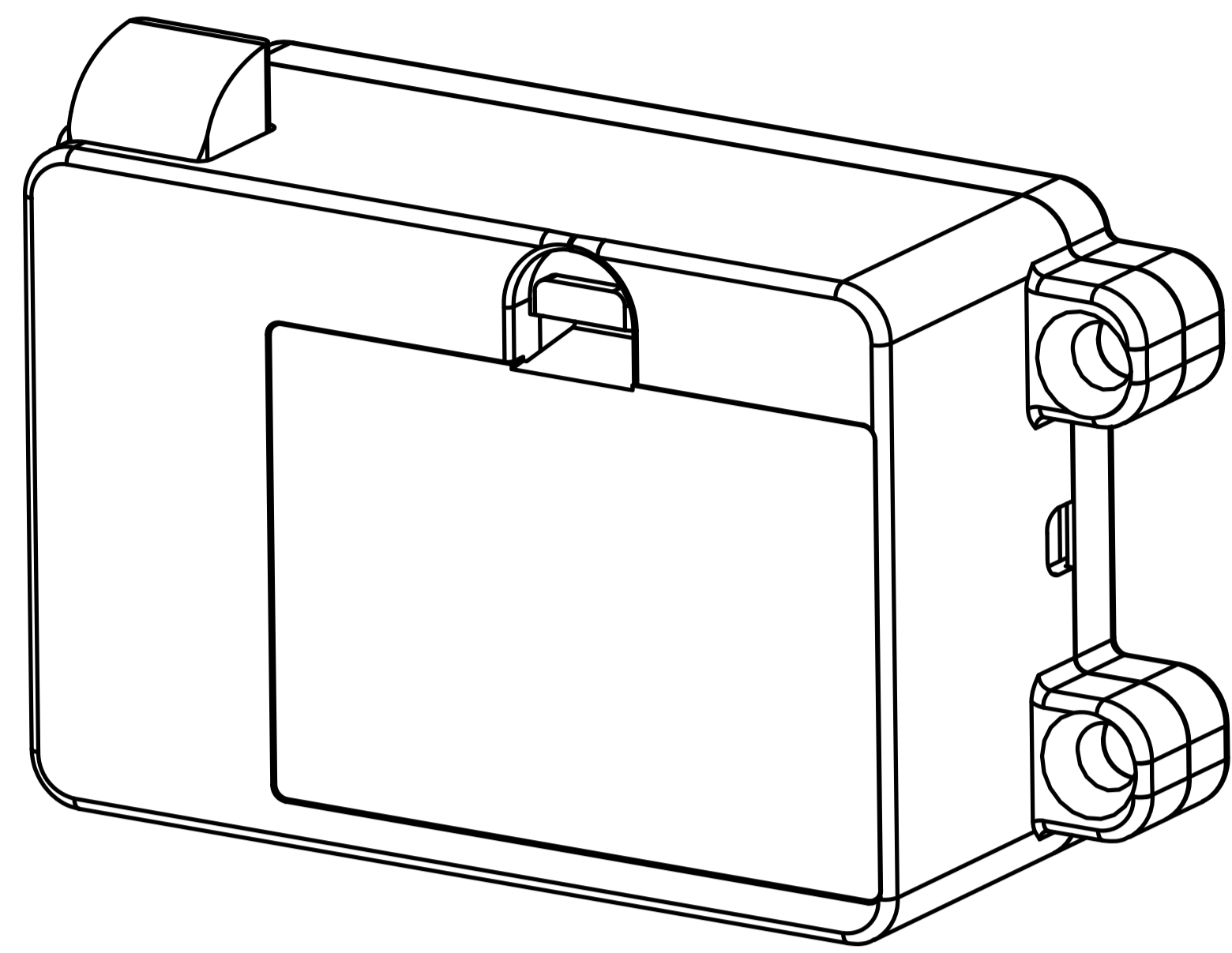
As shown, When installing the drawer, pull the guide rail out first, Slide beads are also pulled out.



Step 60



If a large gap is found after installing the drawer the slide rail can be moved up and down to adjust the gap

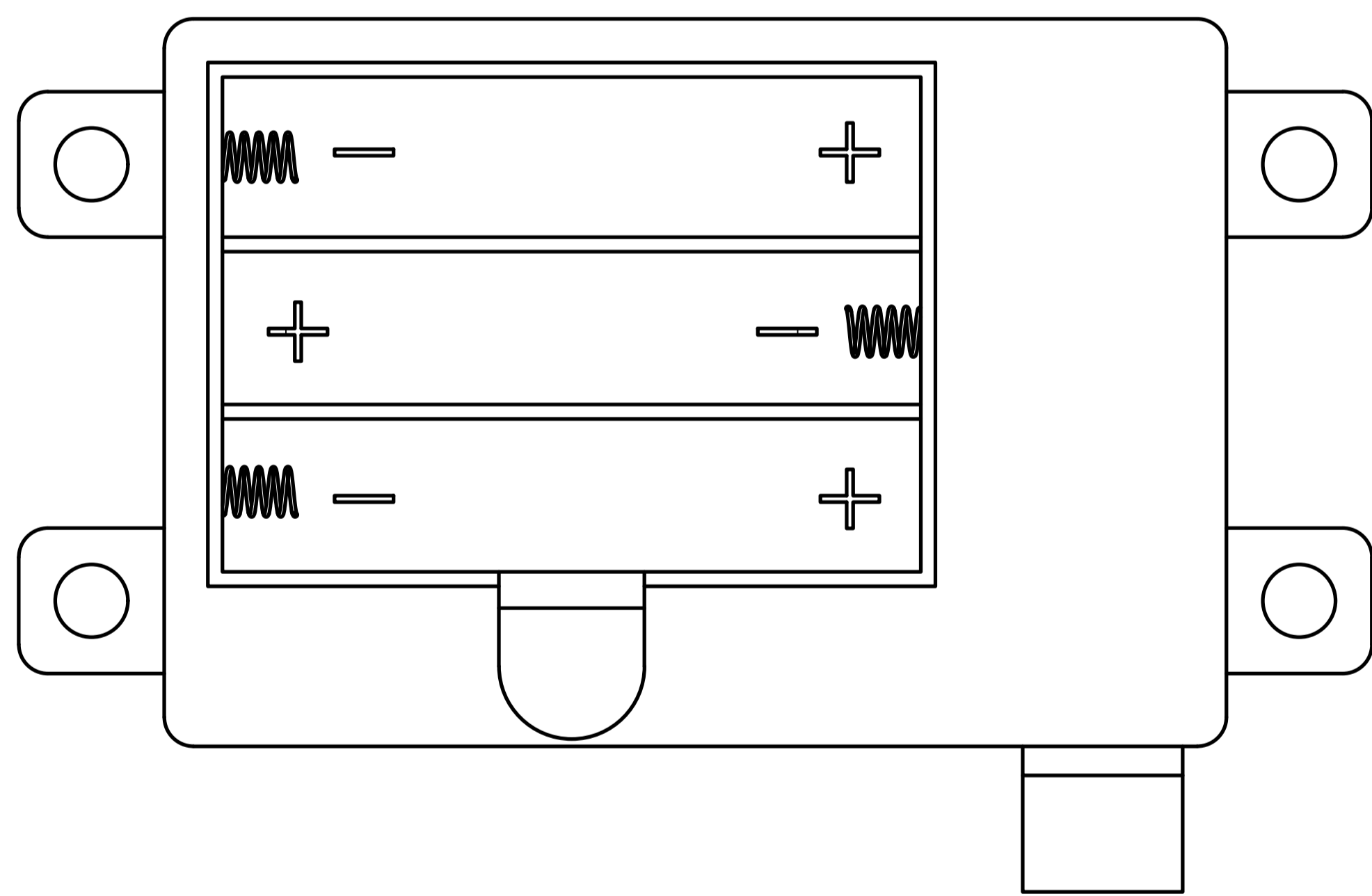


You need to open the cover before installing the battery.
Purchase three AAA or 7# batteries by oneself



negative pole —

G

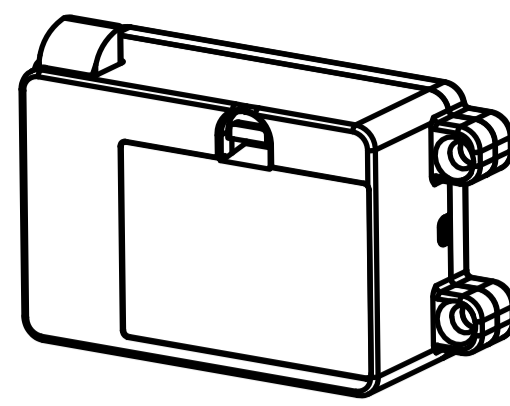


positive pole +

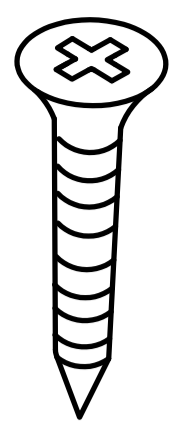
Install the battery into the lock according to the positive and negative poles on the picture.
After installing the battery, please cover it.

Step 61

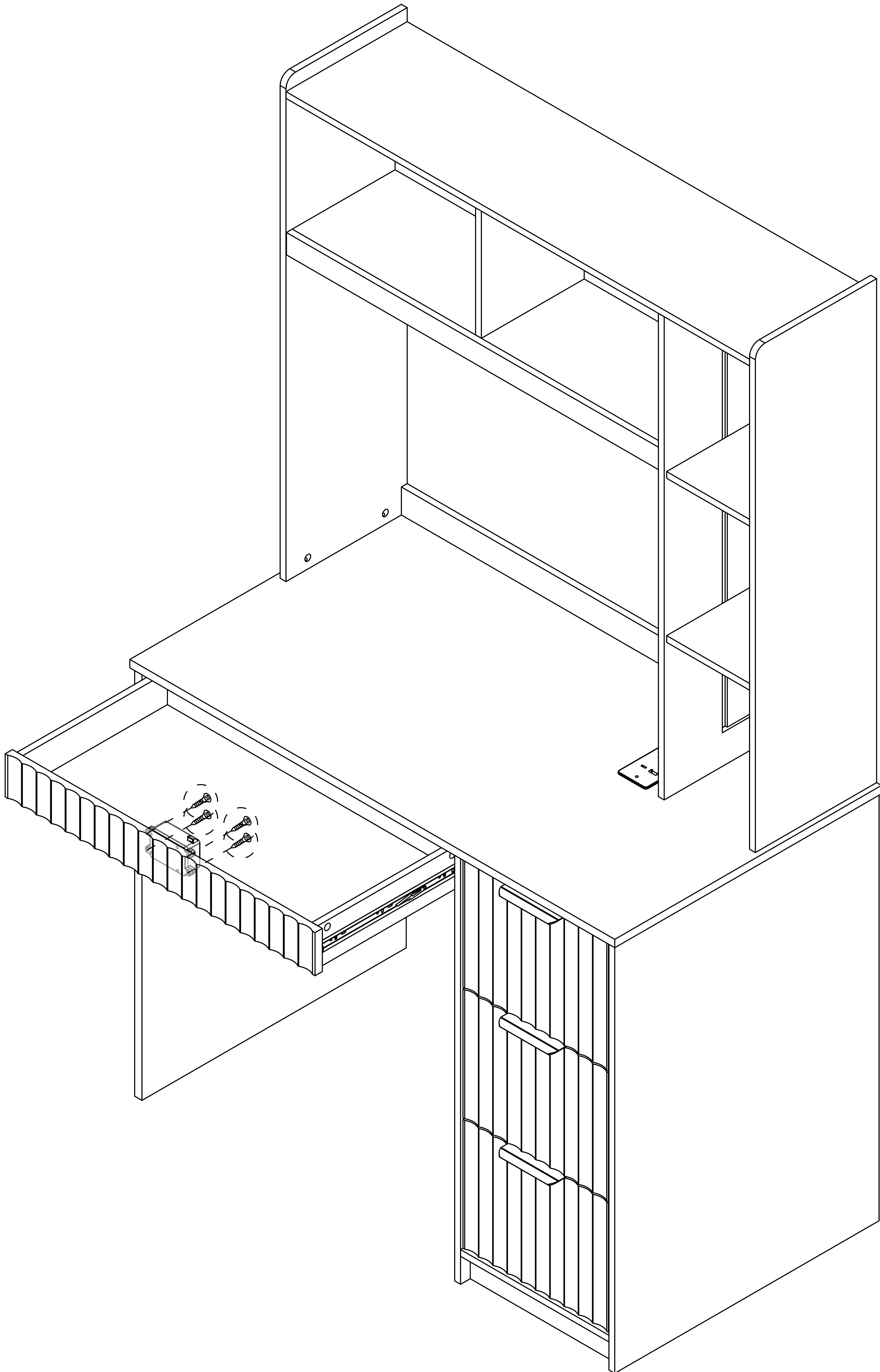
G



x1



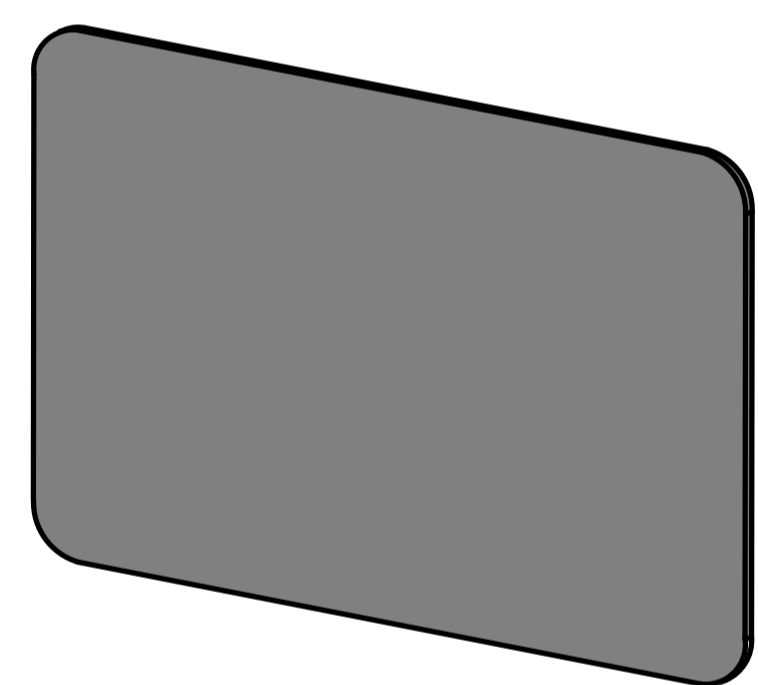
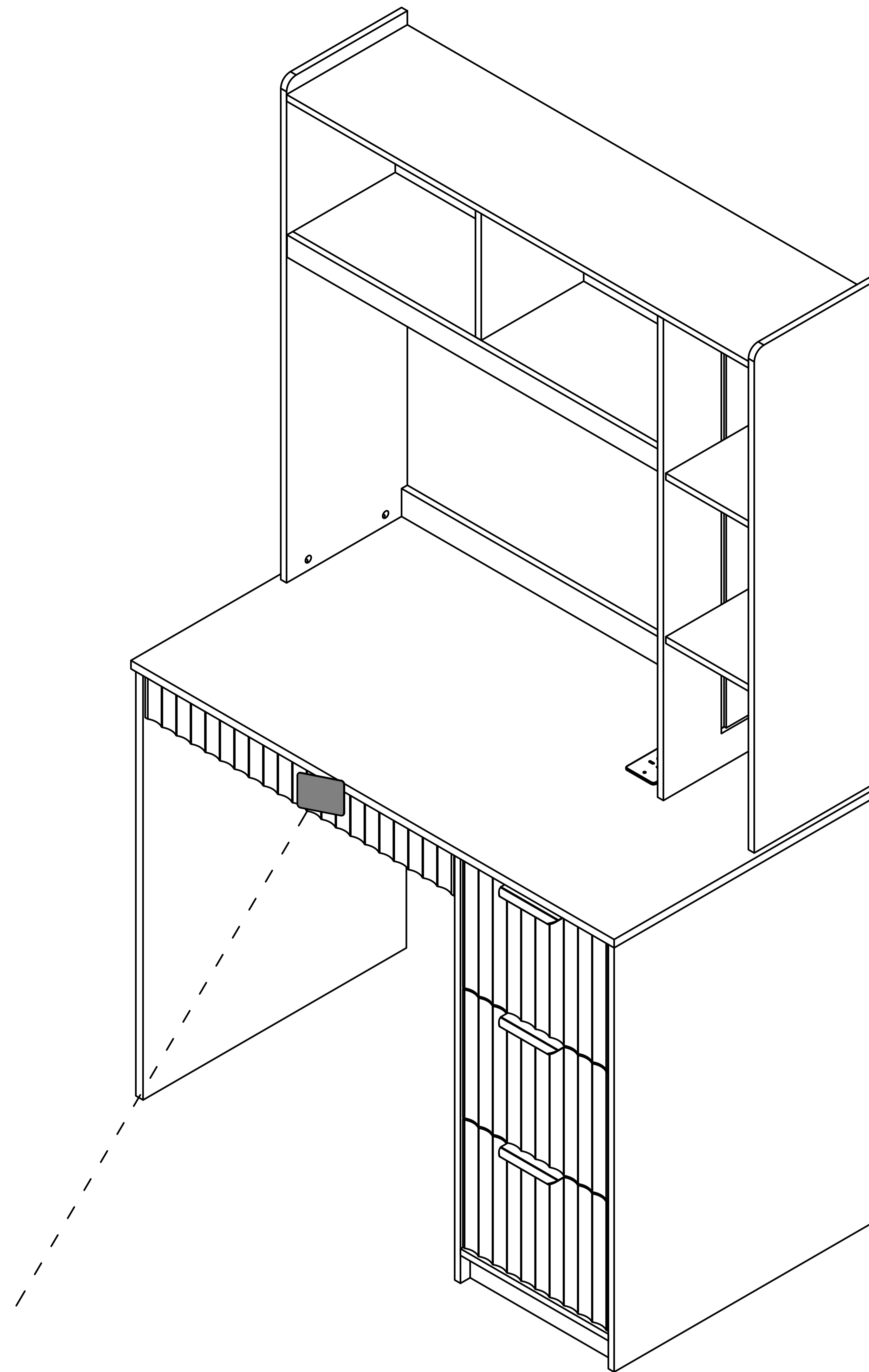
x4



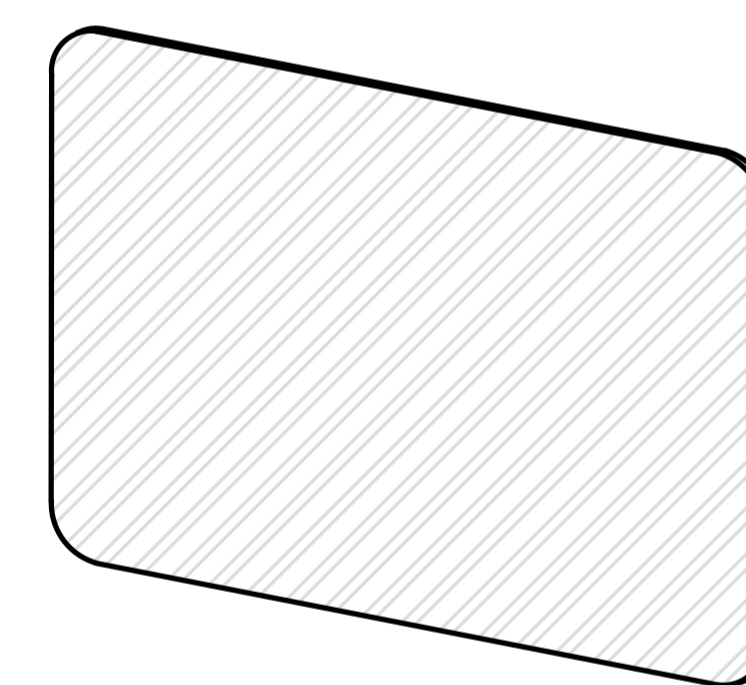
Step 62

G

x2



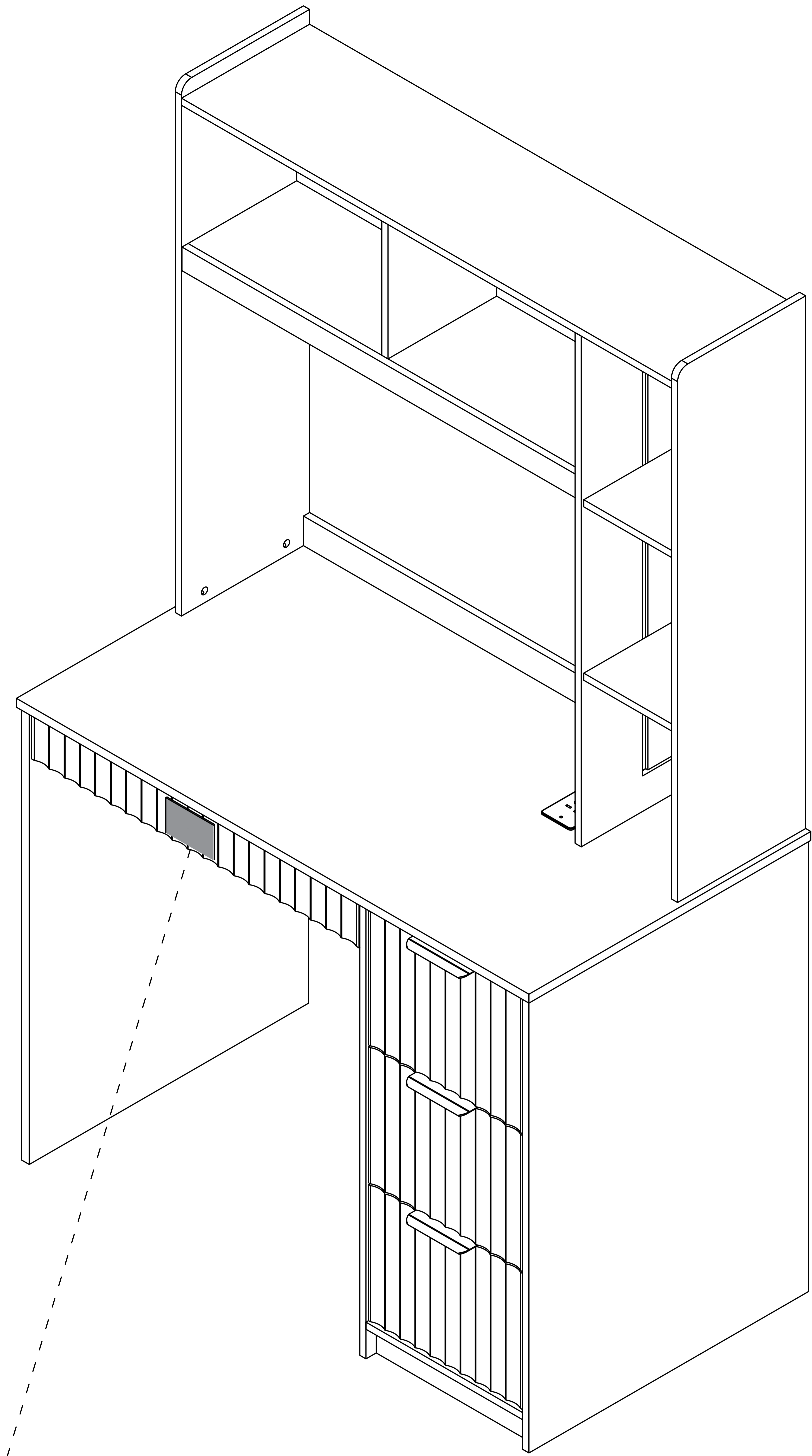
Primary card



Sub-card

First, use the main card to unlock the sensor lock. When you hear a beep, within eight seconds, use the secondary card to swipe the sensor lock. In this way, the secondary card can copy the sensor lock key.

Step 63



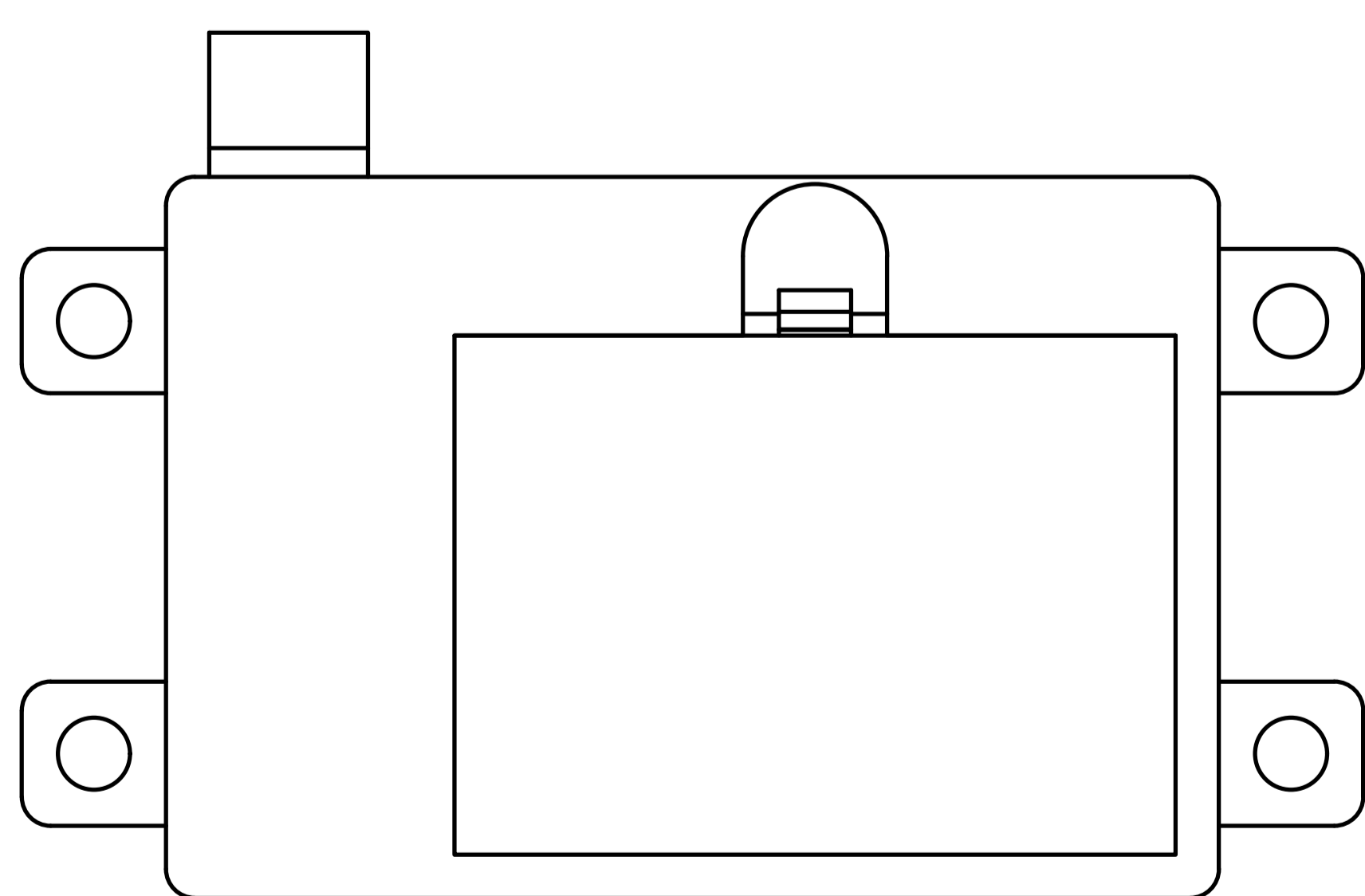
Put the card in this position and you can open the small drawer.

Precautions for card lock

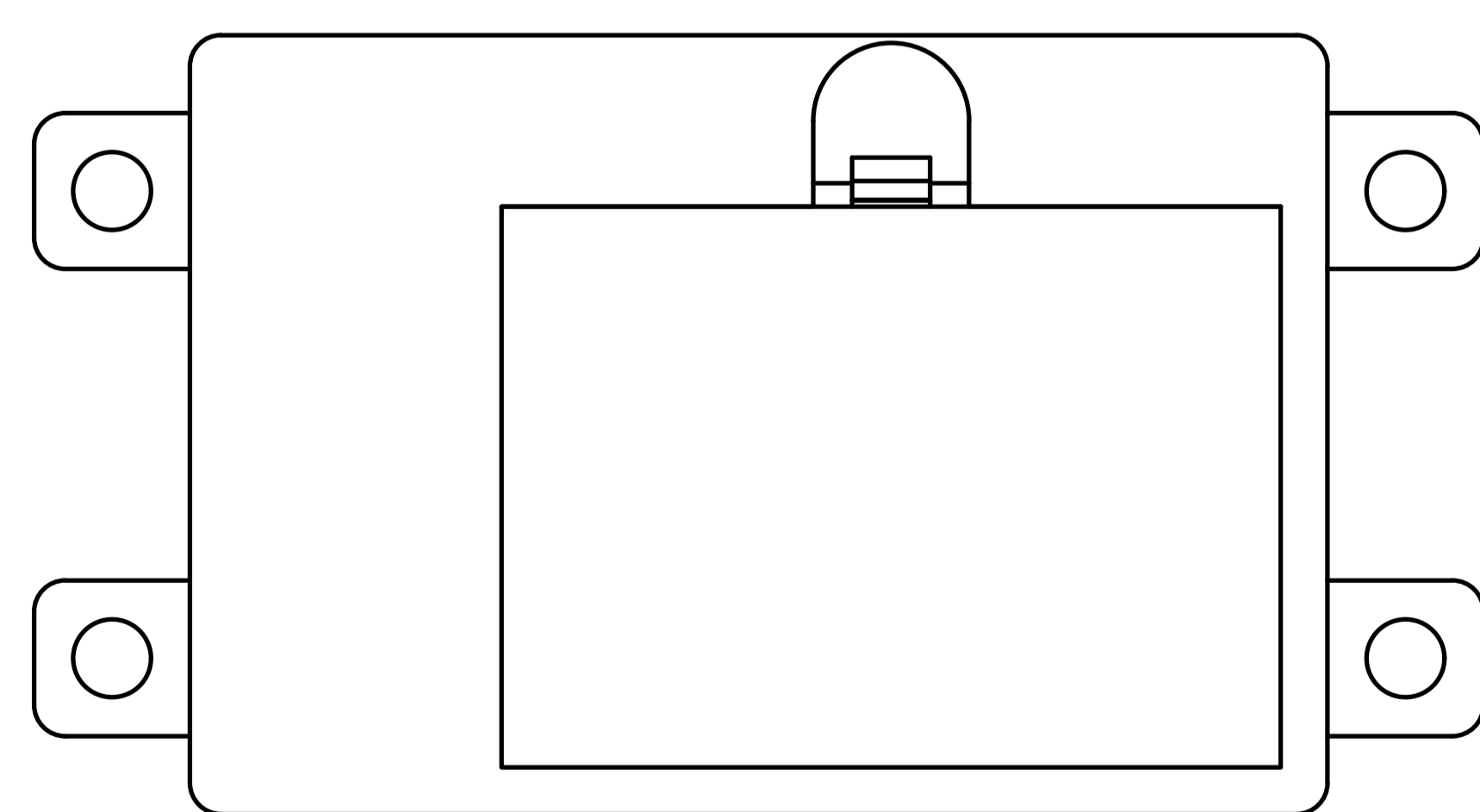
When unlocking the drawer, you need to pay attention to it. Please open the drawer within 4 seconds after hearing a drip, otherwise the lock will lock the drawer.

If you find that you can open the drawer without swiping your card, please check whether the battery in the lock is dead or loose.

When you find that the lock is not working, you need to check the state of the battery.



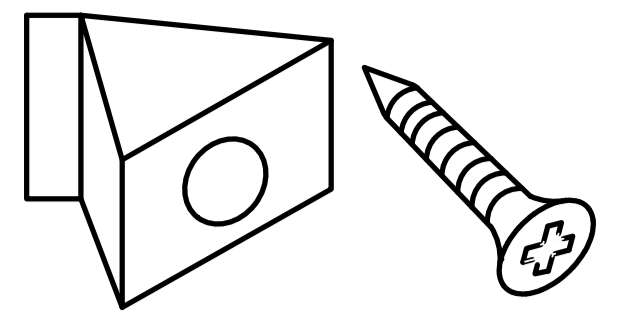
normal



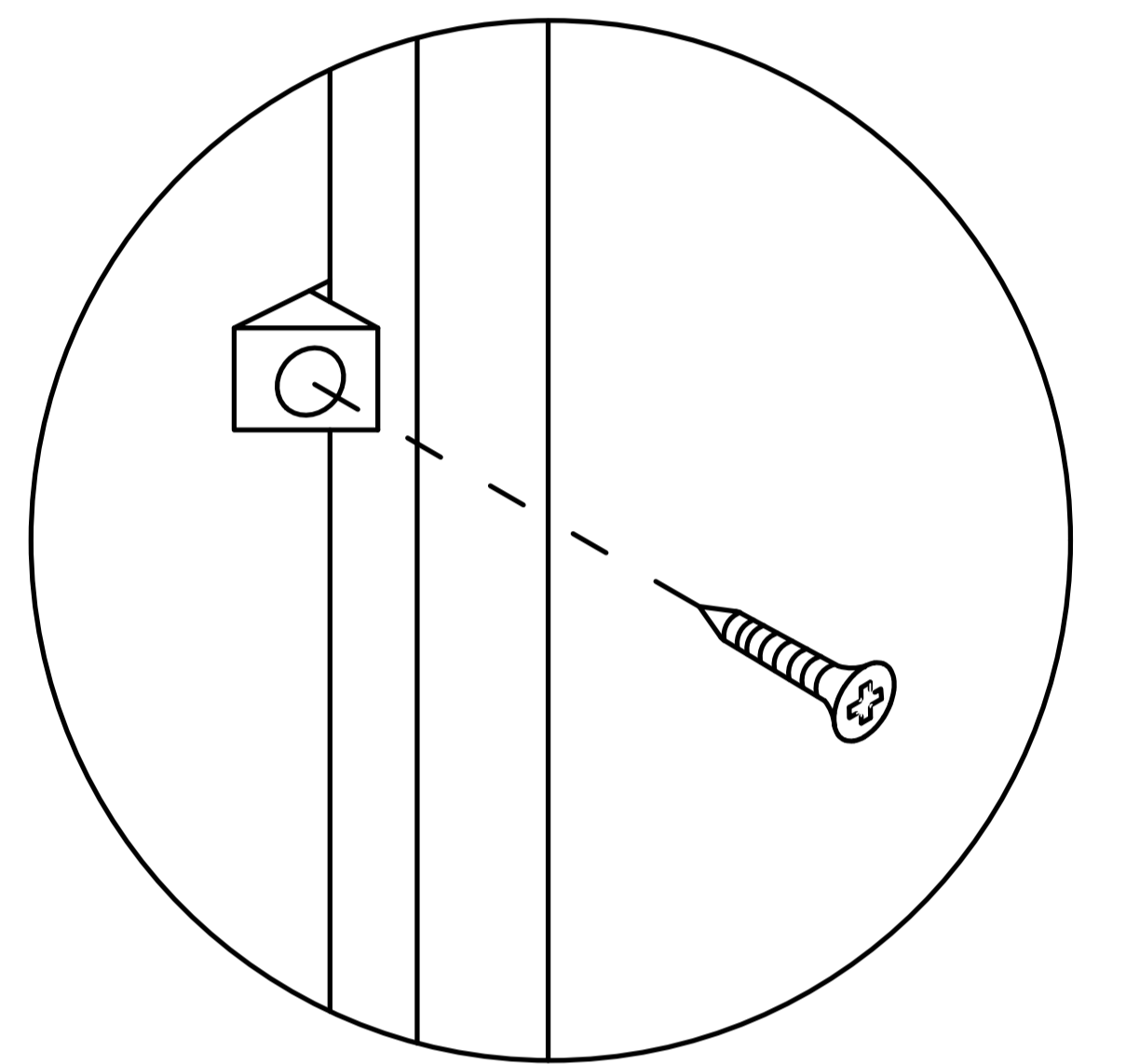
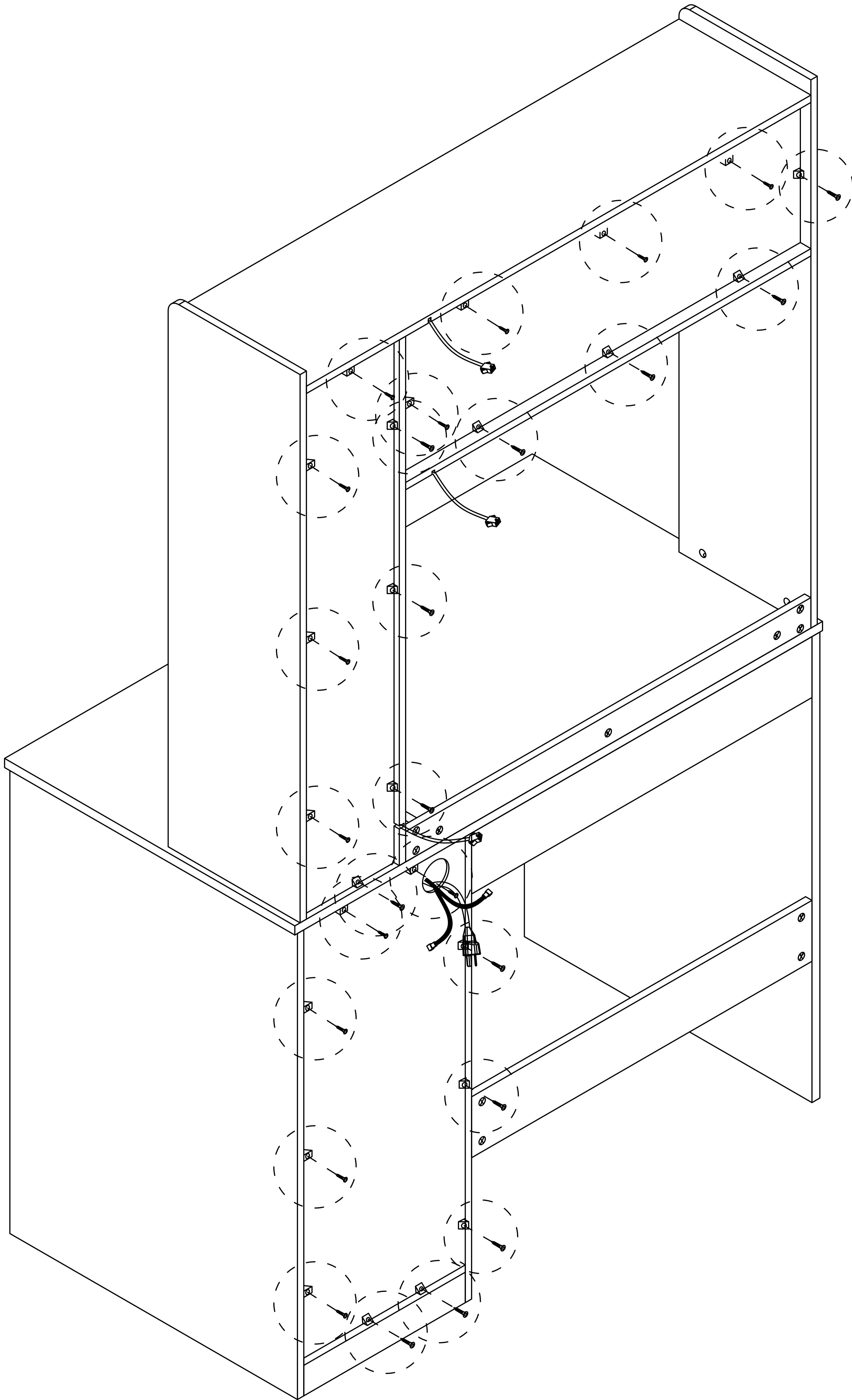
abnormality

Step 64

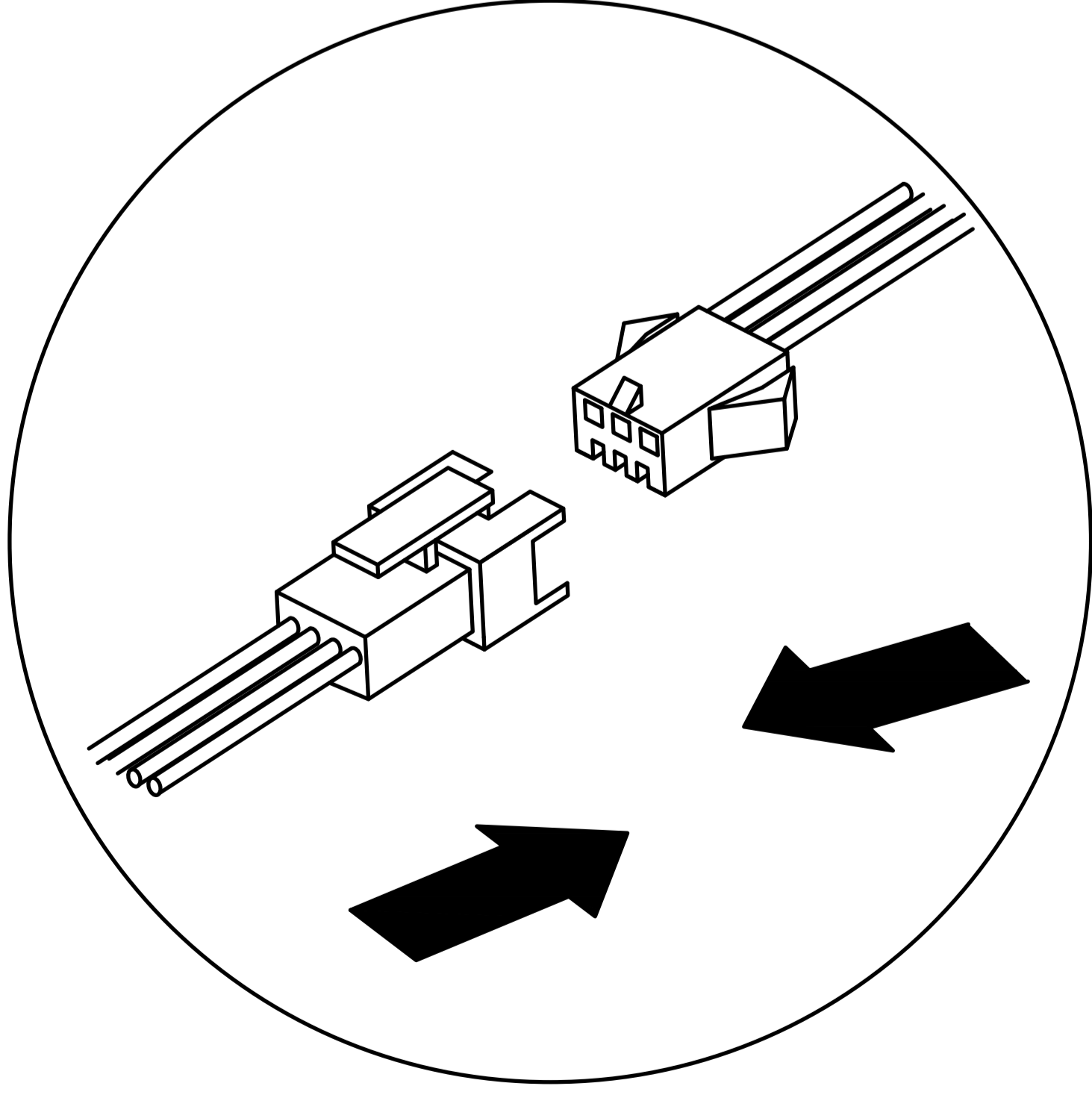
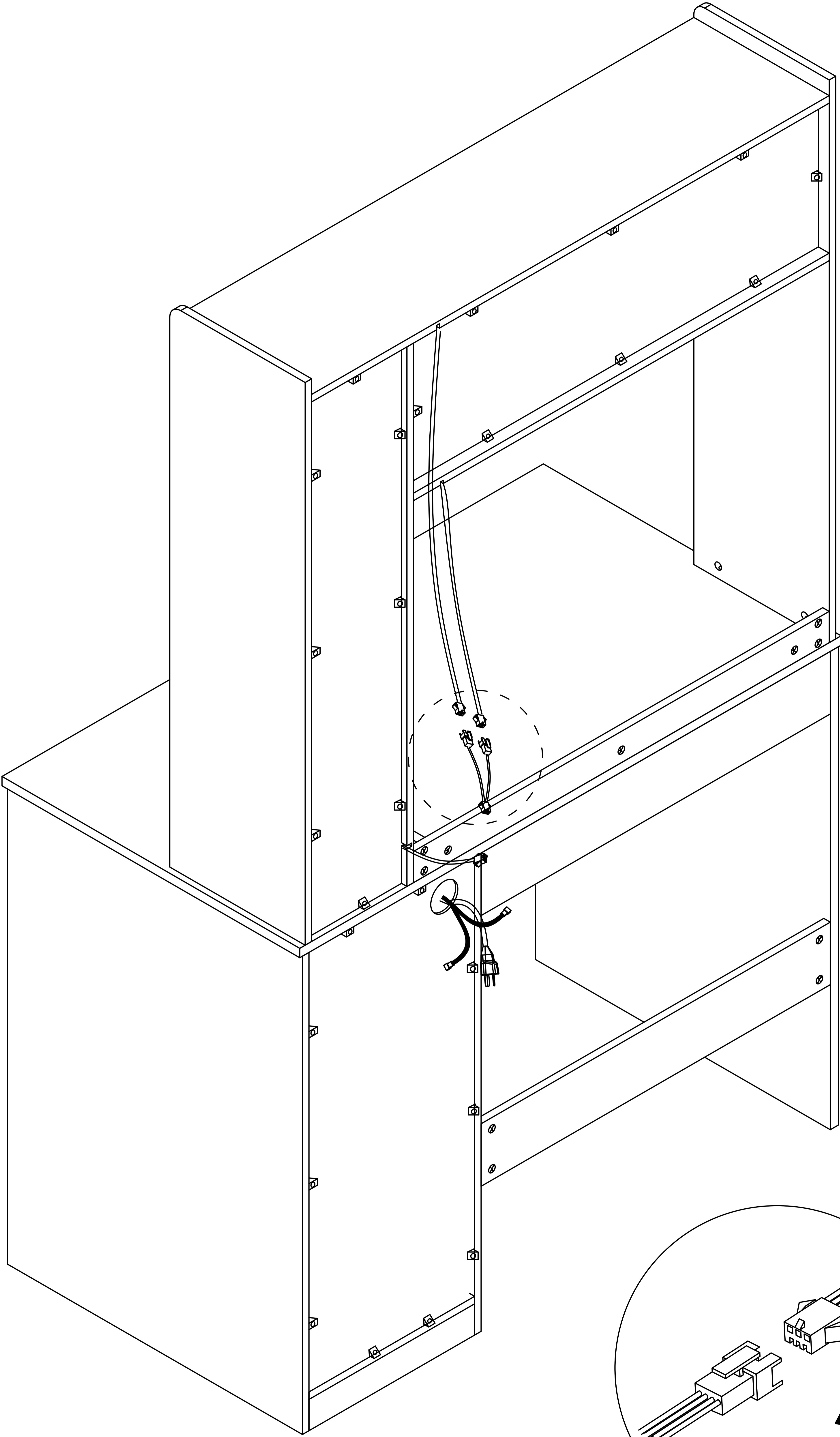
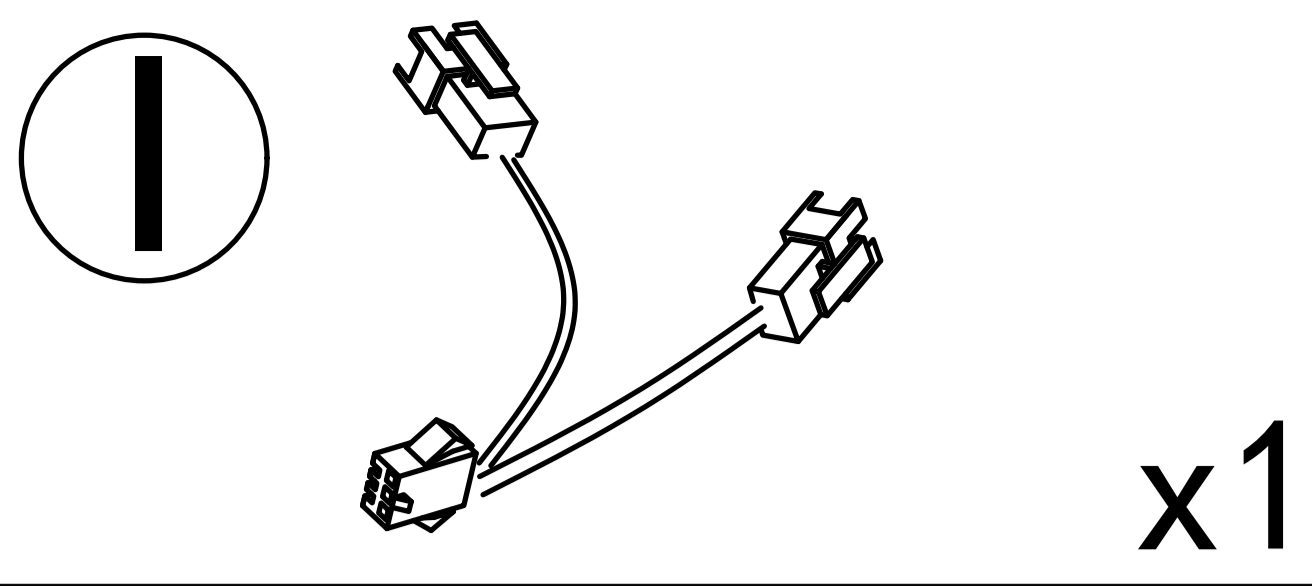
H



x26

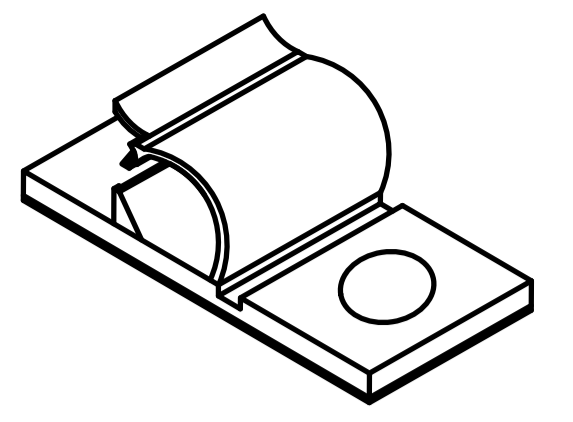


Step 65

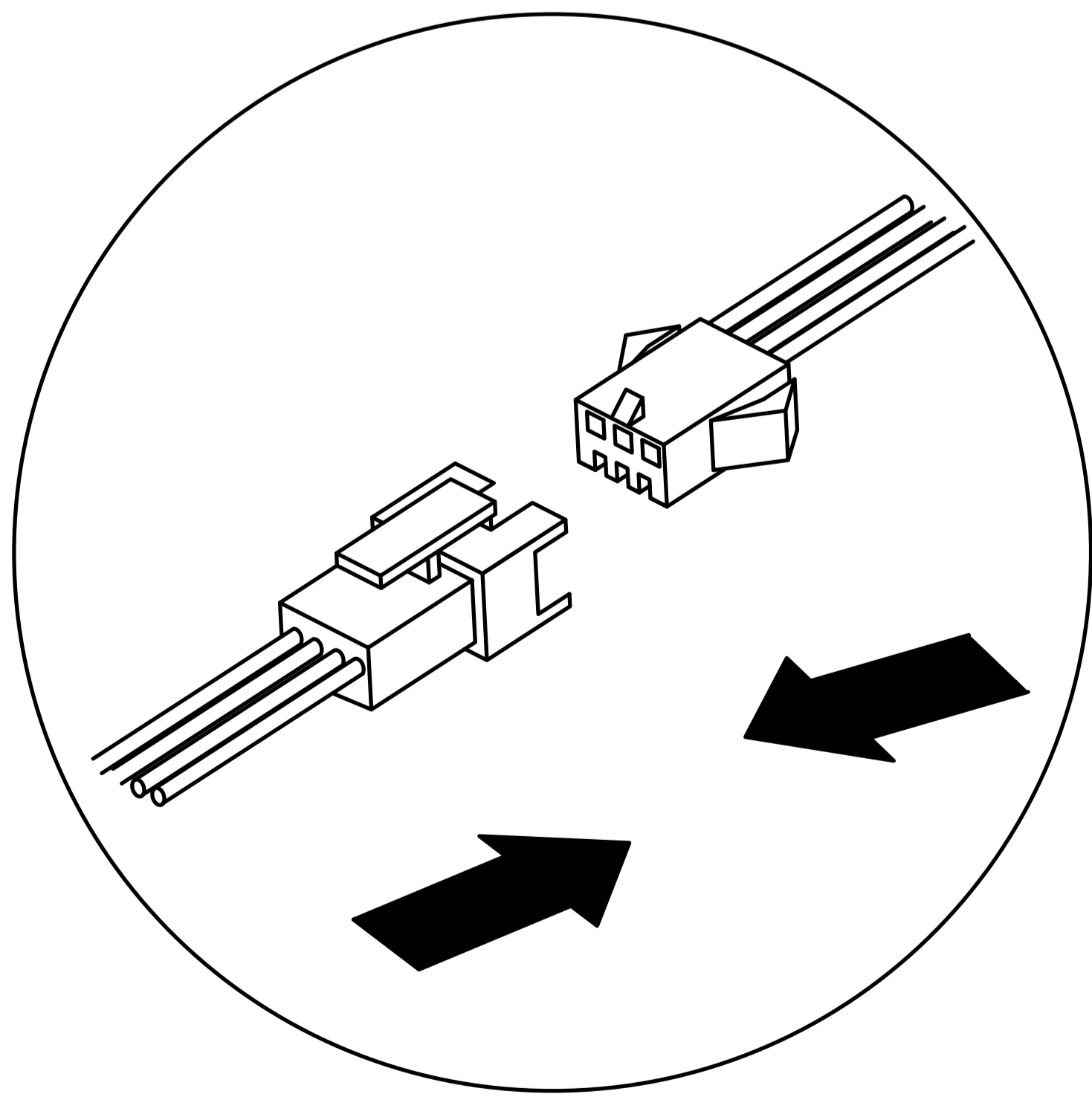
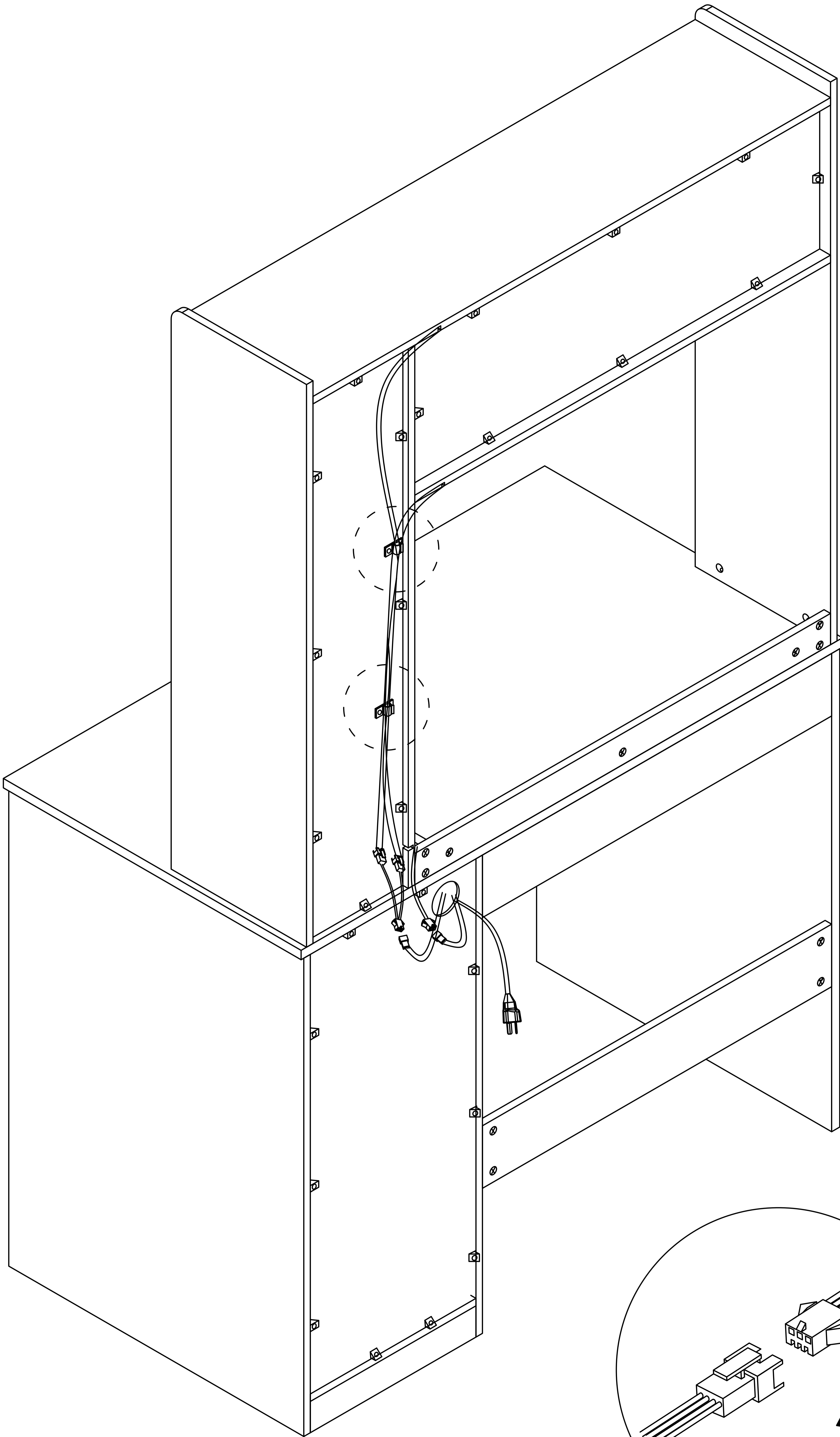


Step 66

J

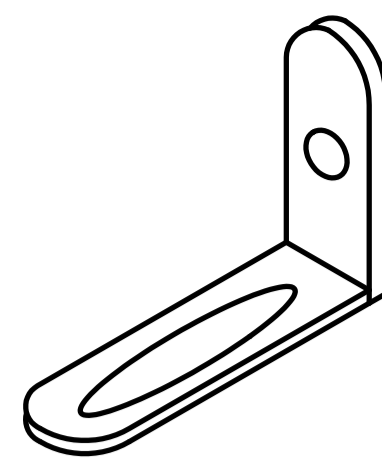


x2

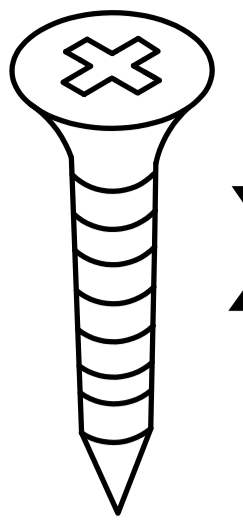


Step 67

K



x2



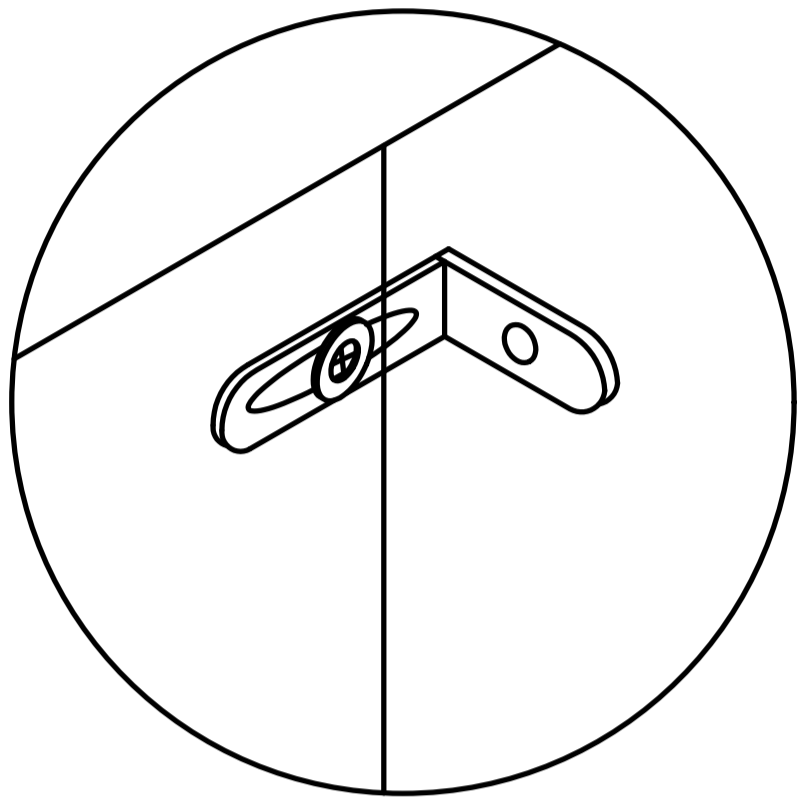
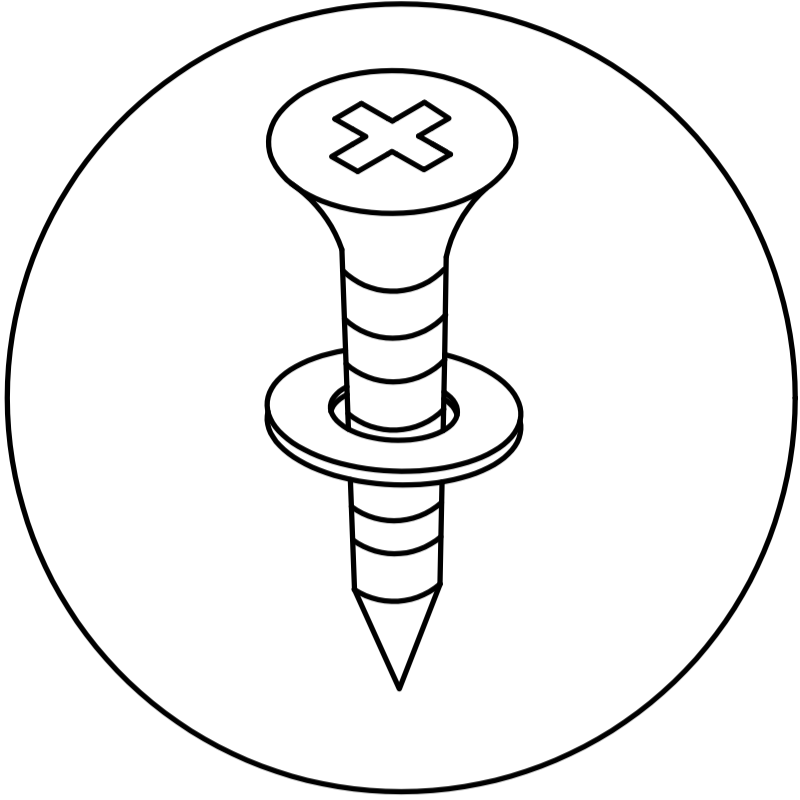
x2

○ x2

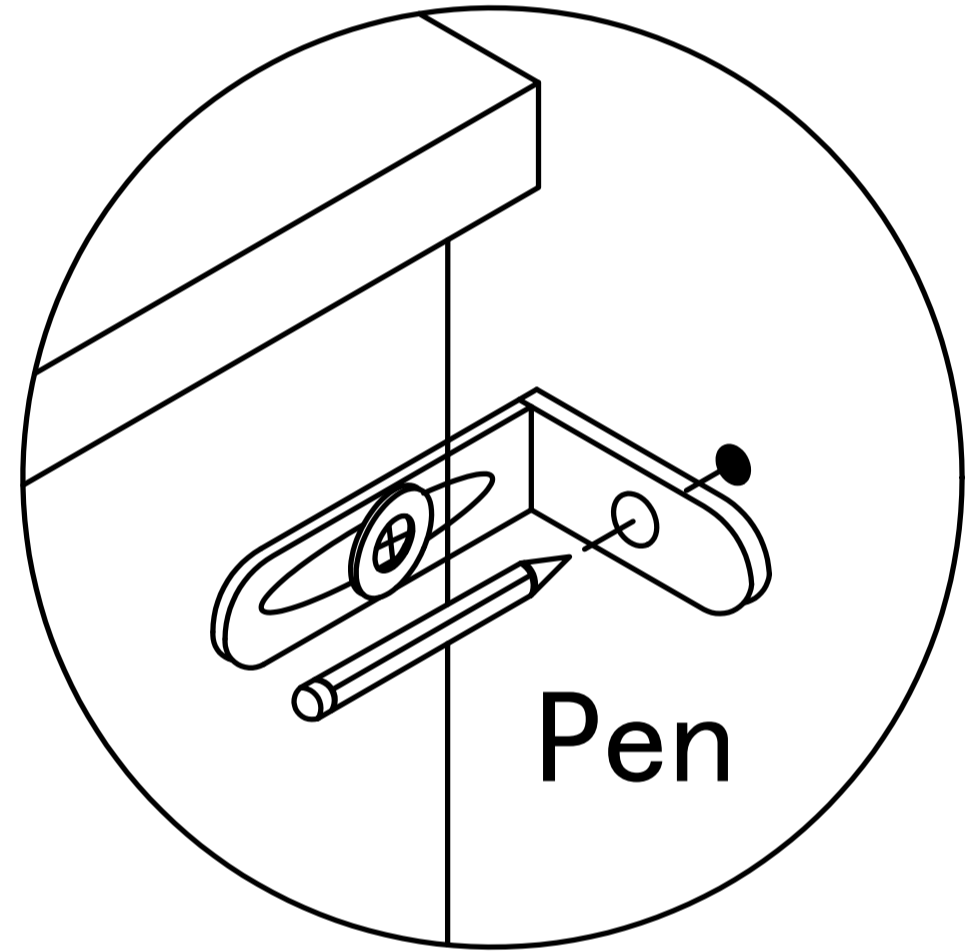
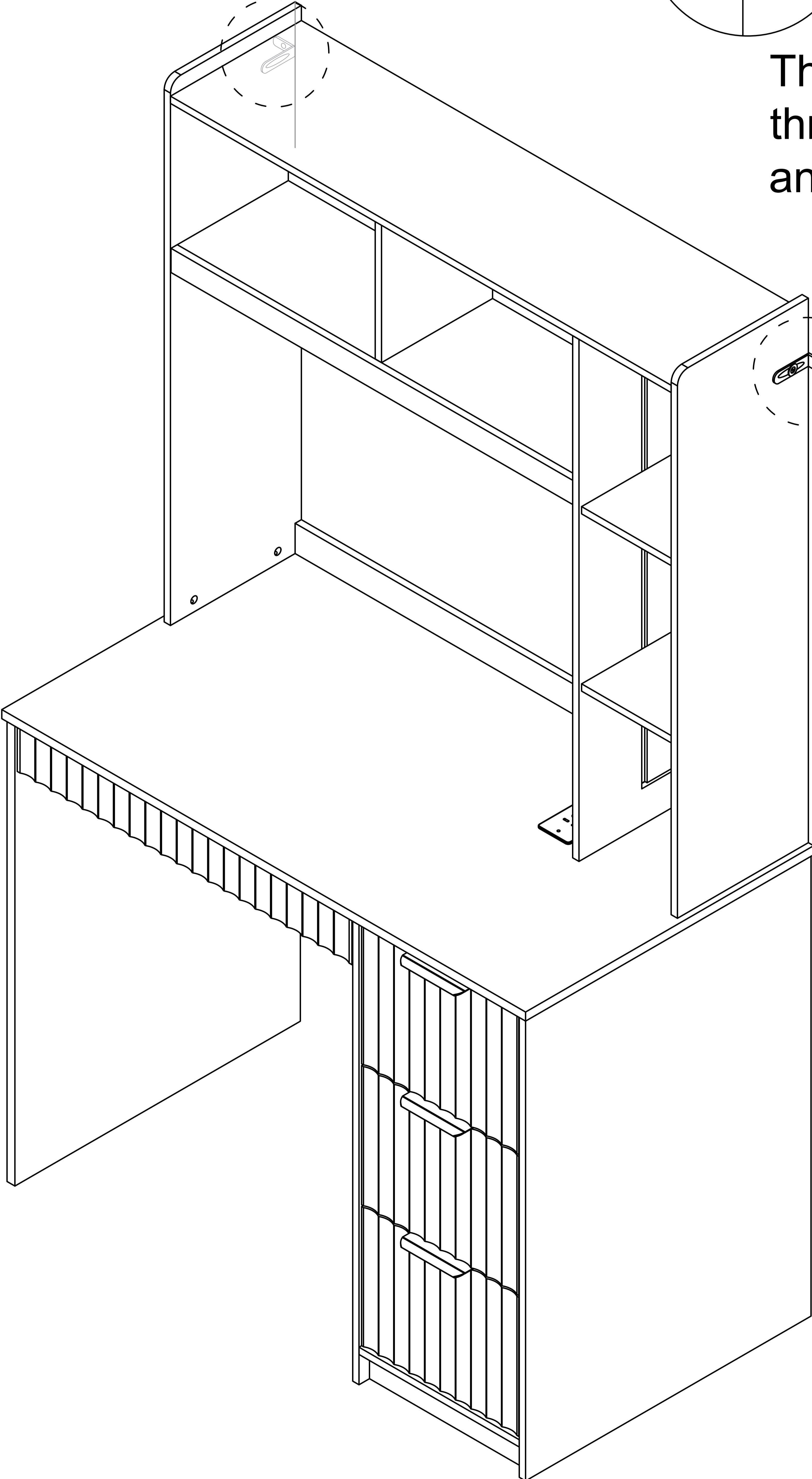
Install as required

Install the anti fall hardware on the cabinet as shown in the picture first

3.5x14mm

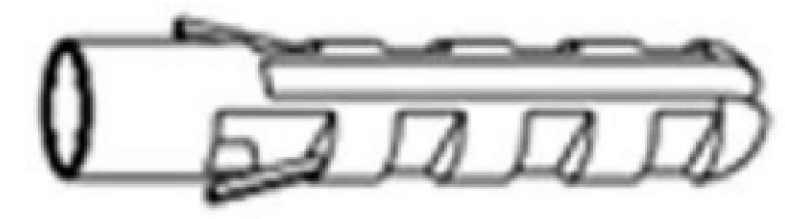


Then mark the wall with a pen through the holes in the anti-fall hardware

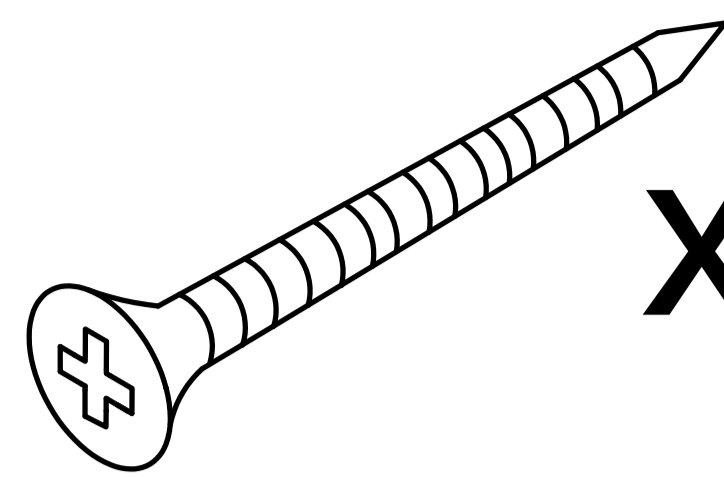


Step 68

K



x2

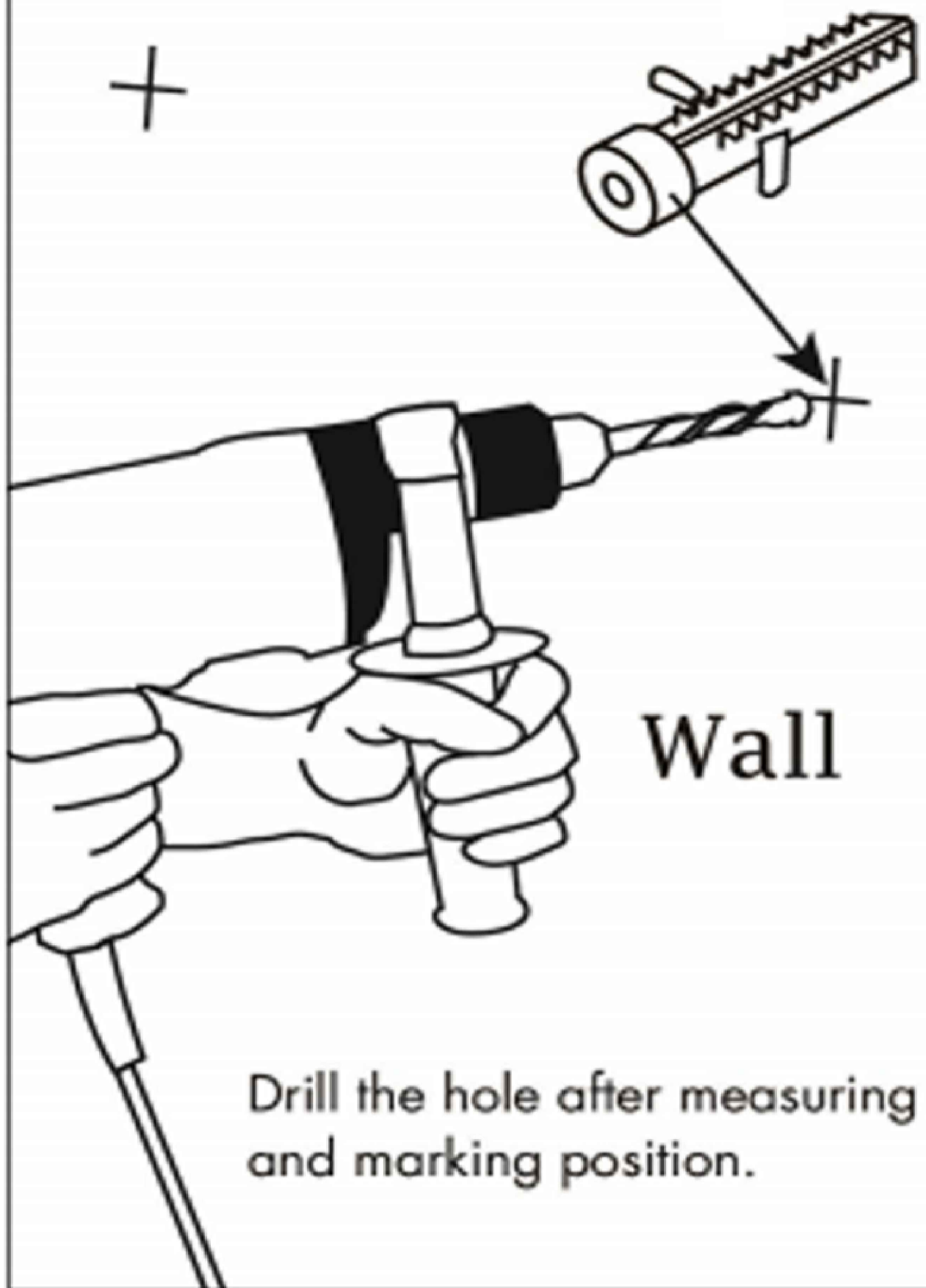


x2

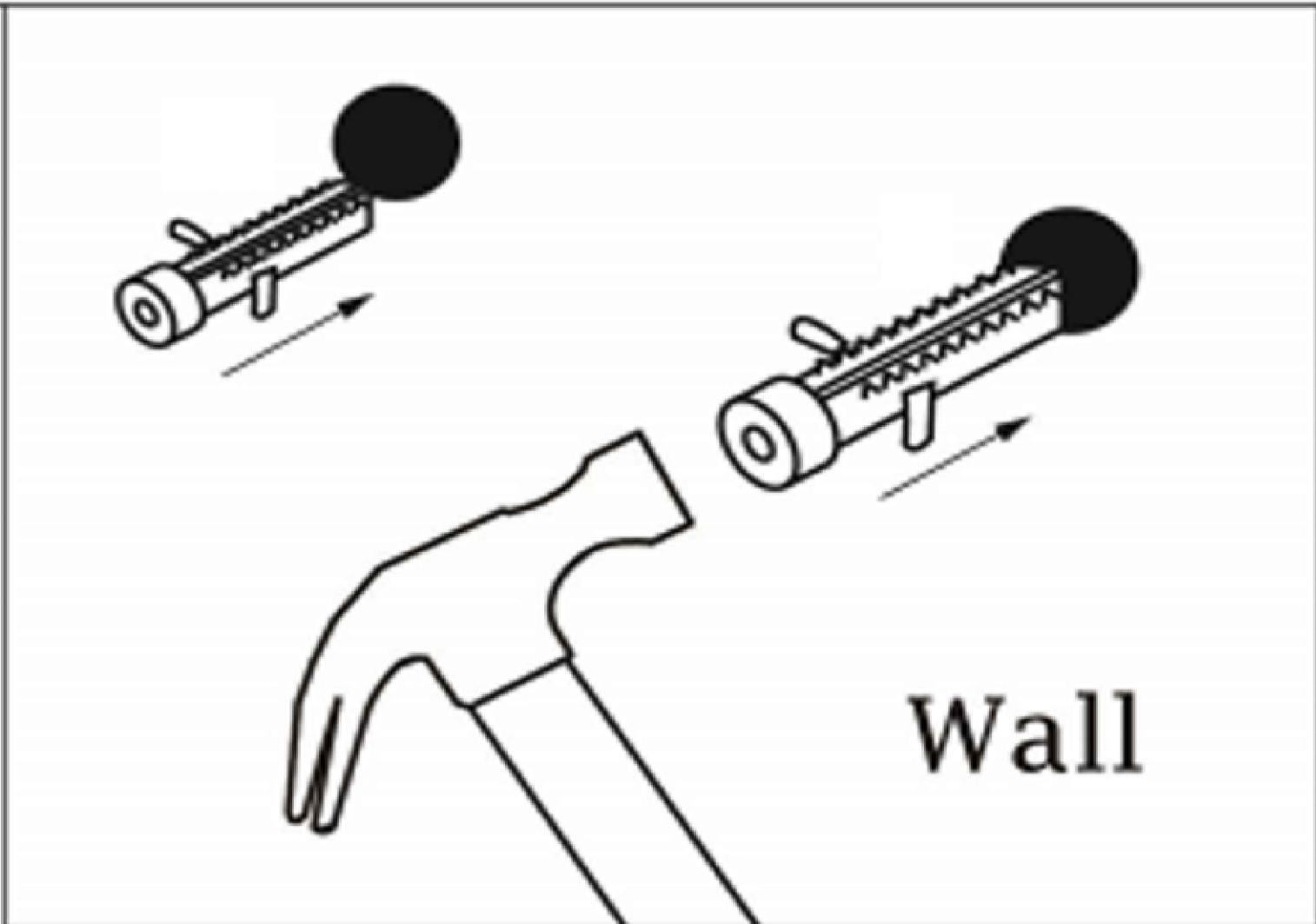


x2

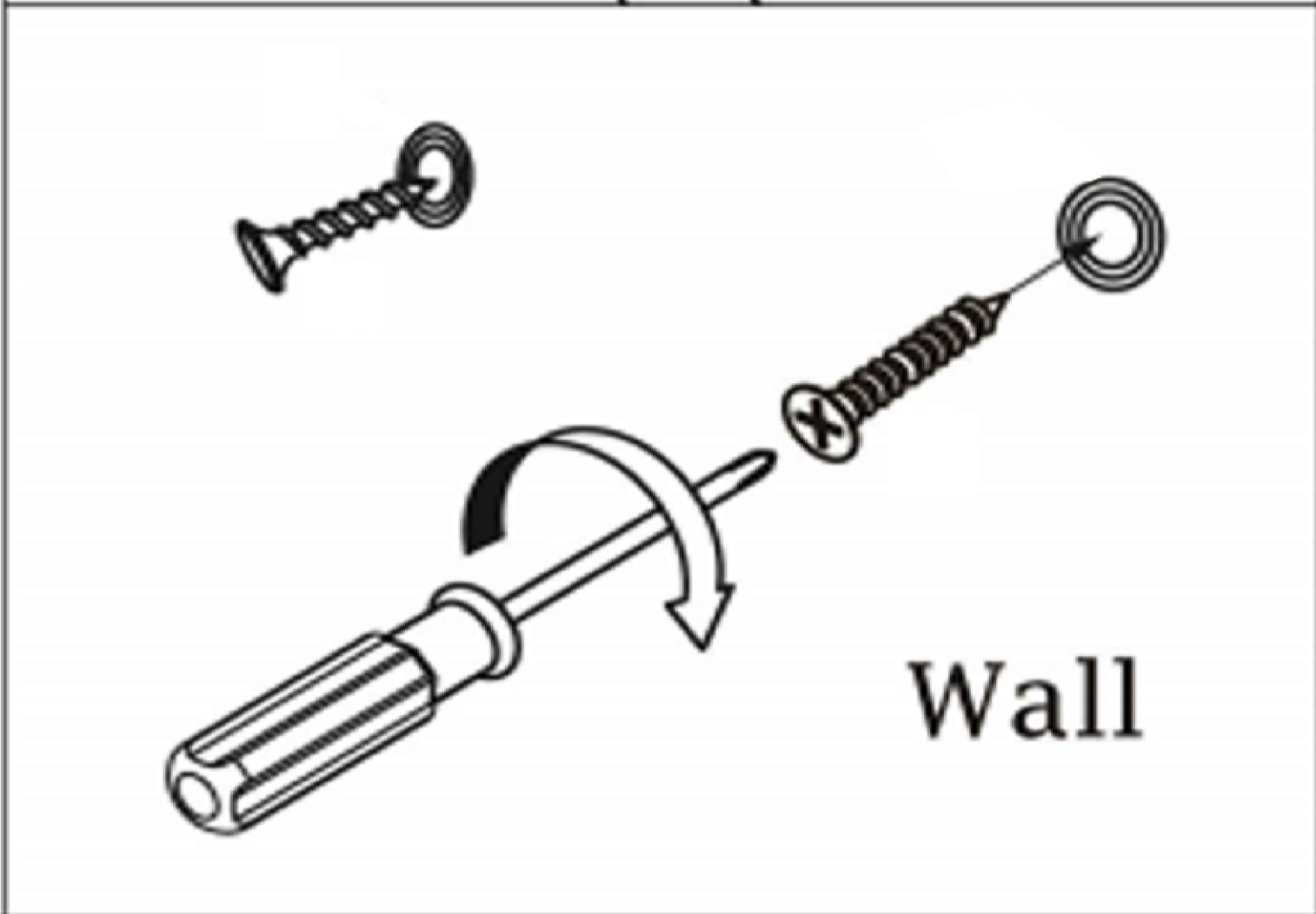
Wall Mount



Drill the hole after measuring and marking position.

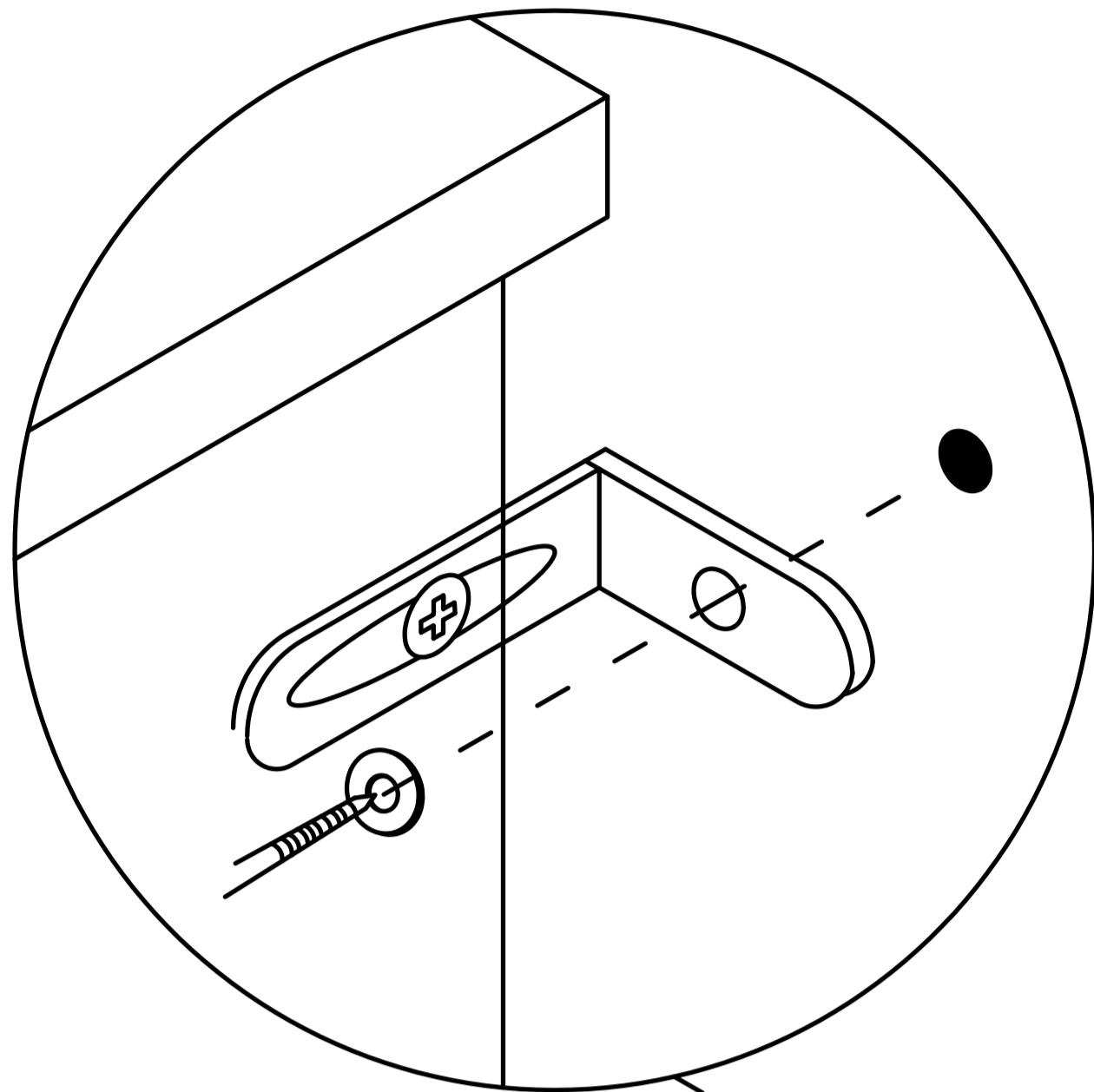


Wall



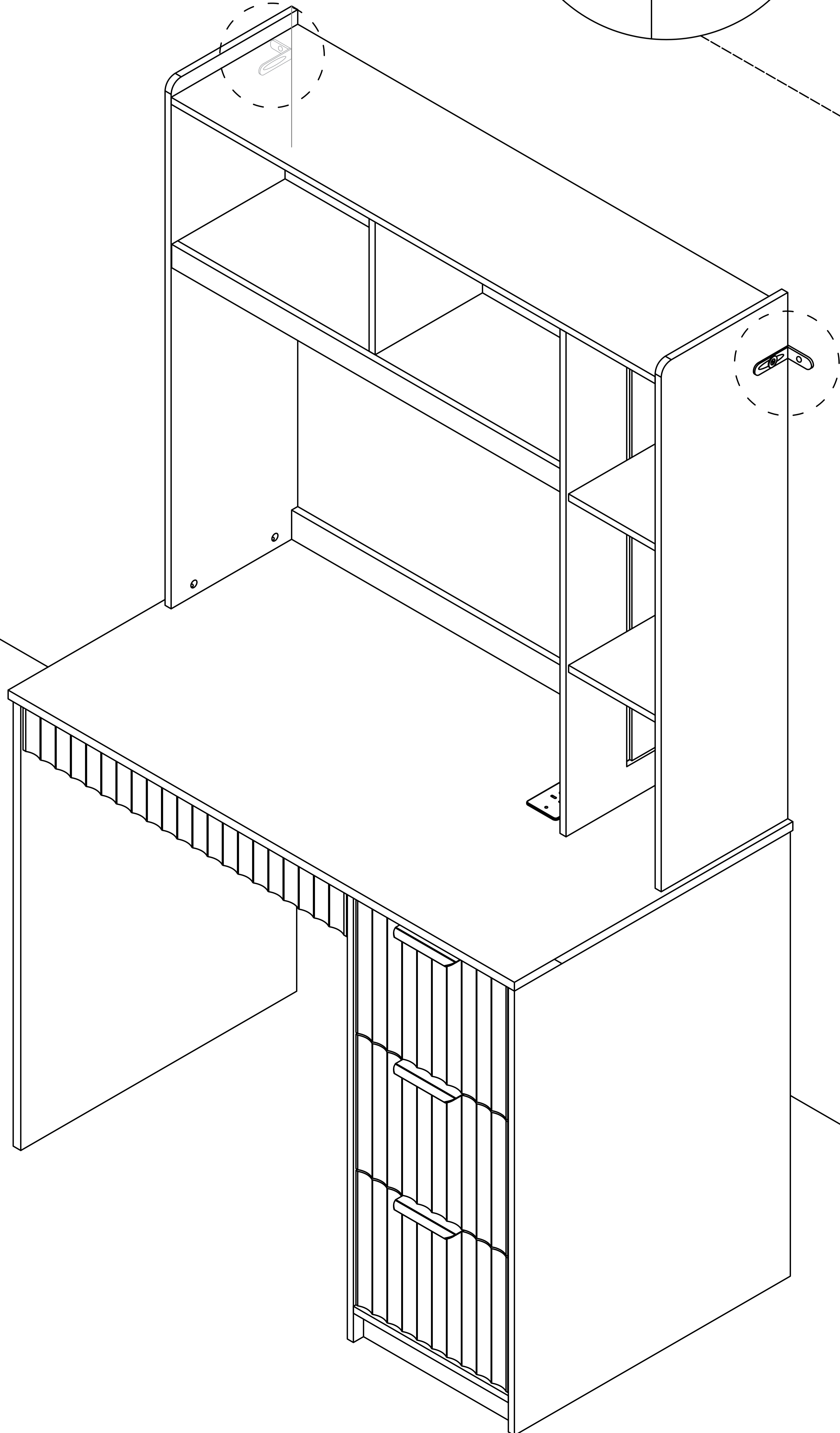
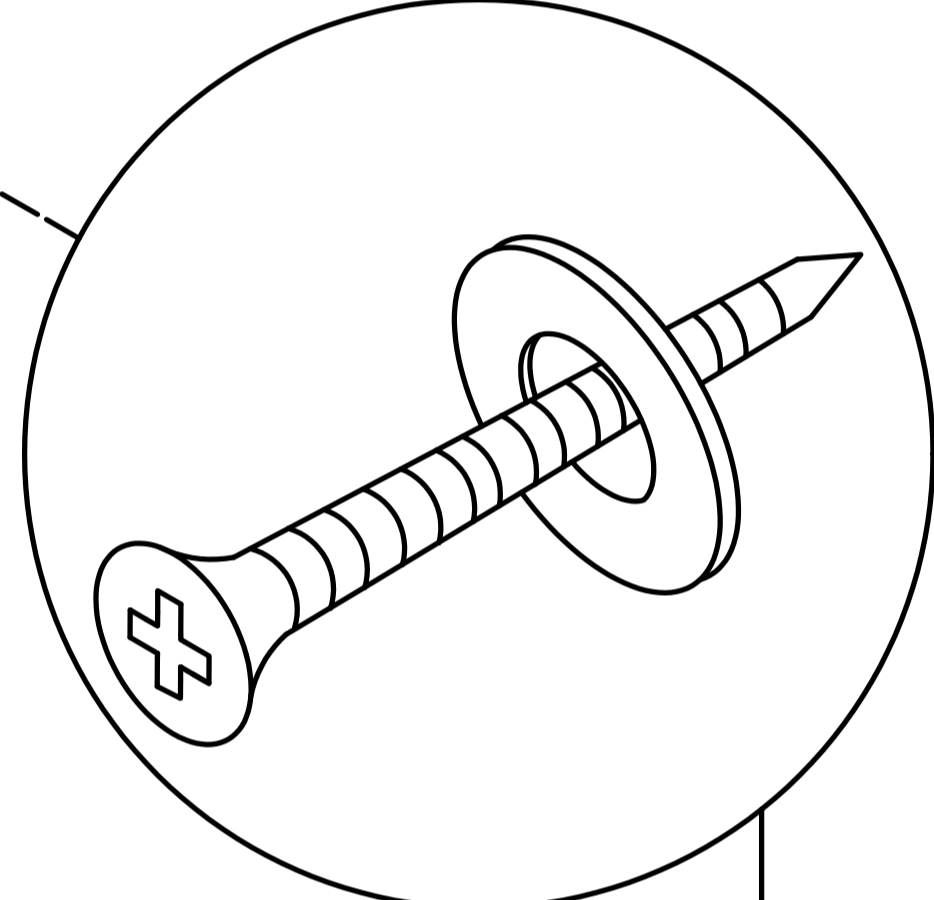
Wall

Drill the hole with an electric drill and punch in the colloidal particles



Fix the table to the wall

4x45mm





User's Guide

Thank you for purchasing this product.

To use this product, please connect it to a power source.

Please use if the product works normally after connecting to power.

Introduction

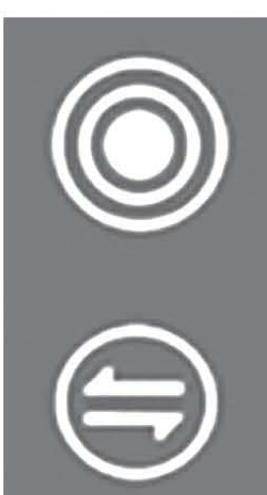
The box is an intelligent controller. It has 1 USB output port 1 Type-c port and can distribute the current output up to 5V DC-2A. With 2 touch buttons, it can turn. ON/OFF the light, change light colors, and adjust the light luminance.

Operation



This touch button controls the on/off of the light

Short touch -> lighting on -> short touch -> lighting off.

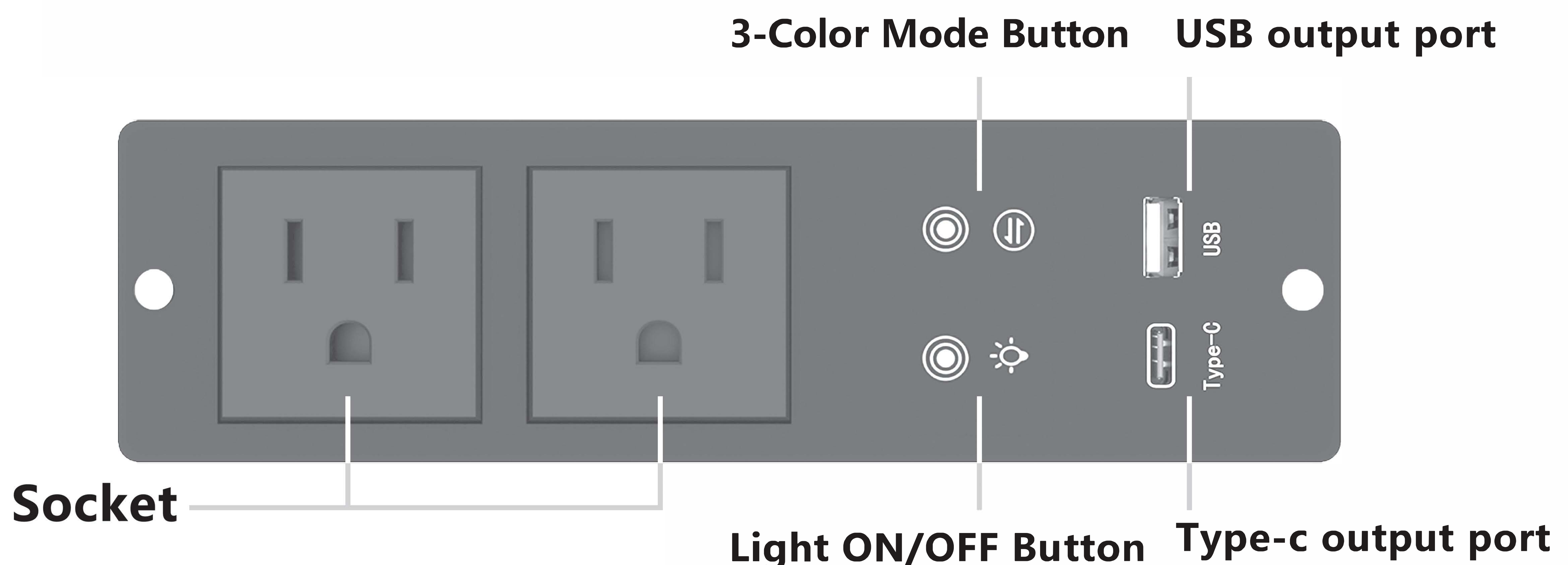


This touch button controls the color switching and brightness adjustment of the light

1. It can only be used when the light is on

2. Offering 3 different colors to choose from. Simply tap to cycle through the options.

3. Long touch -> adjust the luminance.



⚠ ATTENTION PLEASE

1. If there is no touch response suddenly, Re-plug the power to reset the touch static electricity.

2. If you have any questions when installing, please feel free to contact us. Thank you.