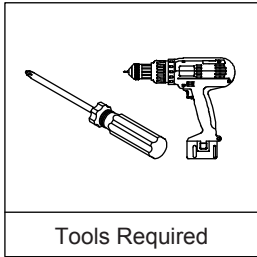
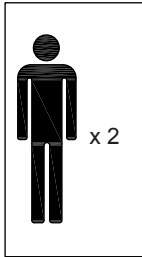
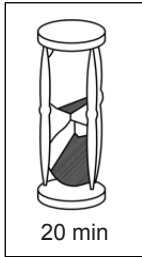
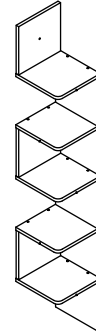


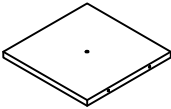
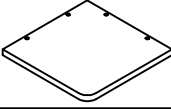
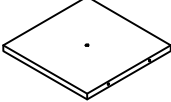
5 Tier Wall Mount Corner Square Shelf




NEED HELP? For help with assembly, or if you are missing a part, please call our Customer Service or email

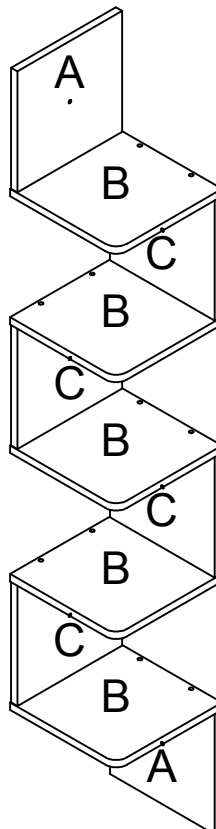


USEFUL HINTS BEFORE YOU START:

1. Read each step carefully before starting.
2. It is important that each step is performed in correct order to avoid difficulties.
3. Identify, sort and count the parts before assembly.
4. Assemble your furniture on packaging cardboard to prevent scratch or damage.
5. Clean the product with mild cleanser using soft damped cloth.
Do not use harsh or abrasive cleanser.
6. Using incompatible hardware might cause damage to product.

NO	PARTS LIST	QTY
A	TOP PANEL / BOTTOM PANEL 	2pcs
B	SHELF PANEL 	5pcs
C	CENTER PANEL 	4pcs

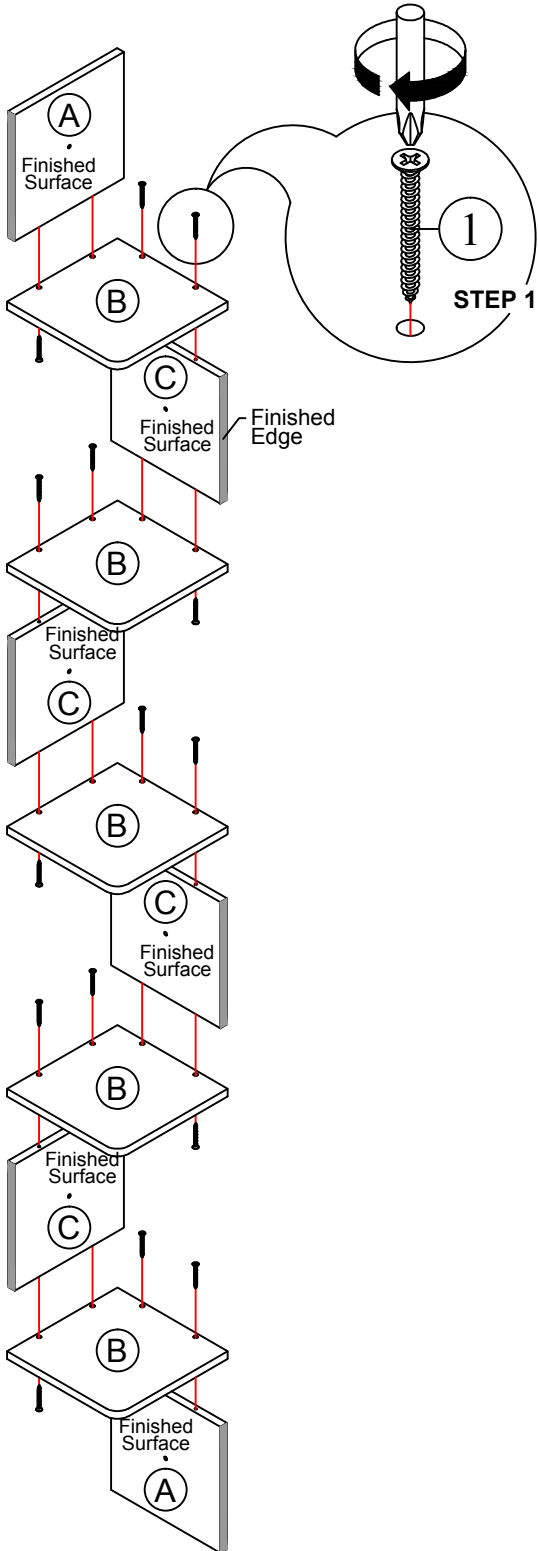
NO	HARDWARE LIST	QTY
1	C/B SCREW M4x32mm 	26pcs
2	SCREW COVER 	26pcs
3	WALL PLUG 	6pcs



ASSEMBLY INSTRUCTION

STEP 1

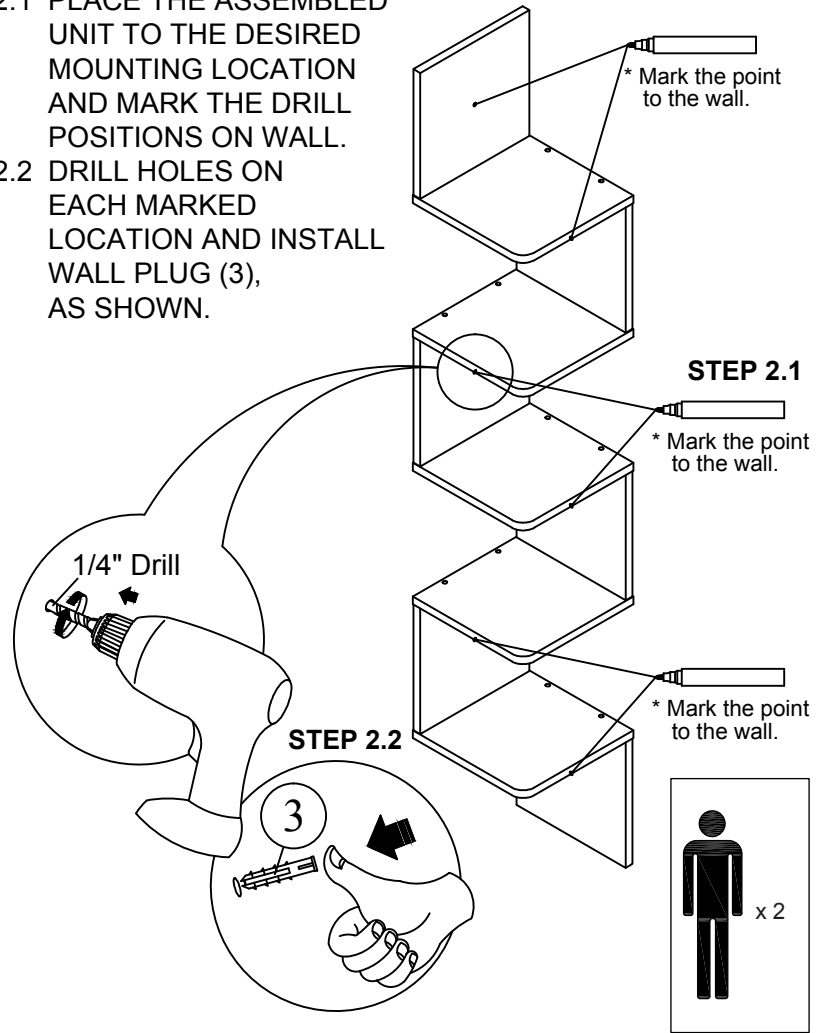
ATTACH PANELS (A) & (C) TO PANELS (B) USING SCREWS (1) AND TIGHTEN IT, AS SHOWN.



STEP 2

2.1 PLACE THE ASSEMBLED UNIT TO THE DESIRED MOUNTING LOCATION AND MARK THE DRILL POSITIONS ON WALL.

2.2 DRILL HOLES ON EACH MARKED LOCATION AND INSTALL WALL PLUG (3), AS SHOWN.



STEP 3

3.1 POSITION THE ASSEMBLED UNIT TO THE WALL PLUG (3) ON WALL AND TIGHTEN USING SCREW (1).
3.2 ATTACH COVERS (2) TO SCREWS'S HEAD, AS SHOWN.

