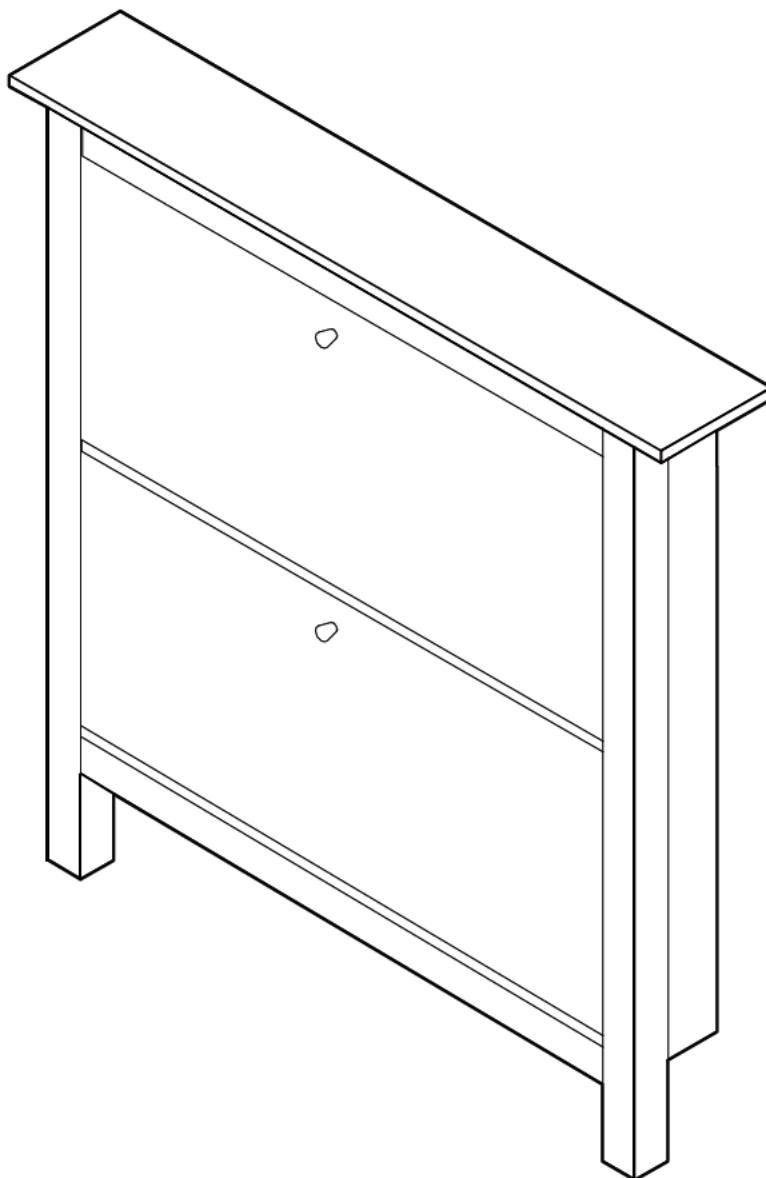


Assembly Instructions - Please keep for future reference



Dimensions

Width - 95cm
Depth - 17cm
Height - 100cm

Important – Please read these instructions fully before starting assembly



Safety and Care Advice

Important – Please read these instructions fully before starting assembly

- Check you have all the components and tools listed on pages 2 and 3.
- Remove all fittings from the plastic bags and separate them into their groups.
- Keep children and animals away from the work area, small parts could choke if swallowed.
- Make sure you have enough space to layout the parts before starting.

- Do not stand or put weight on the product, this could cause damage.
- Assemble the item as close to its final position (in the same room) as possible.
- Assemble on a soft level surface to avoid damaging the unit or your floor.
- Parts of the assembly will be easier with 2 people.



- We do not recommend the use of power drill/drivers **for inserting screws**, as this could damage the unit. Only use hand screwdrivers.
- Dispose of all packaging carefully and responsibly.

Glue safety - Take care when using glue, please follow the advice below

Skin contact: Remove contamination by washing with soap and water. This procedure should also be followed prior to eating and drinking.

Eye contact: Rinse immediately with clean water for 15 minutes and seek medical advice.

If swallowed: Seek medical advice immediately.

Care and maintenance

• Only clean using a damp cloth and mild detergent, do no use bleach or abrasive cleaners.

• From time to time check that there are no loose screws on this unit.

• This product should not be discarded with household waste. Take to your local authority waste disposal centre.

Note: if required the next page can be cut out and used as reference throughout the assembly. Keep this page with these instructions for future reference.

Please check you have all the panels listed below



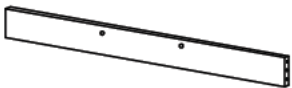
A Top (95 x 17 cm)



F Middle shelf (80 x 15.8 cm)



G Bottom shelf (80 x 15.8 cm)



H Back brace (80 x 8 cm)



I Front plinth x 2 (80 x 5 cm)



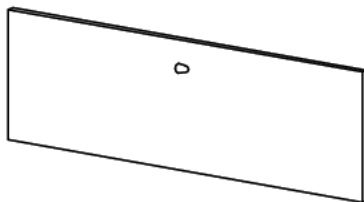
B Left side (88.3 x 11 cm)



D Left upright (98.3 x 5 cm)



J Drawer base x 2 (77.3 x 14 cm)



L Drawer front x 2 (79.5 x 36.3 cm)



C Right side (88.3 x 11 cm)



E Right upright (98.3 x 5 cm)

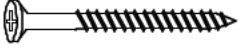

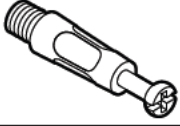
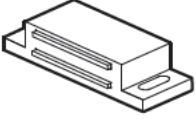


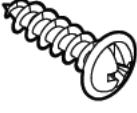
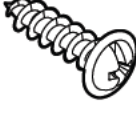
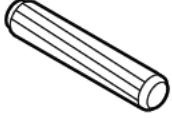
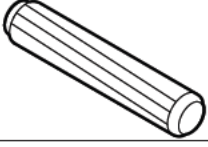


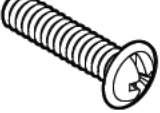

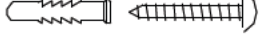




K Drawer back x 2 (77.3 x 6.8 cm)

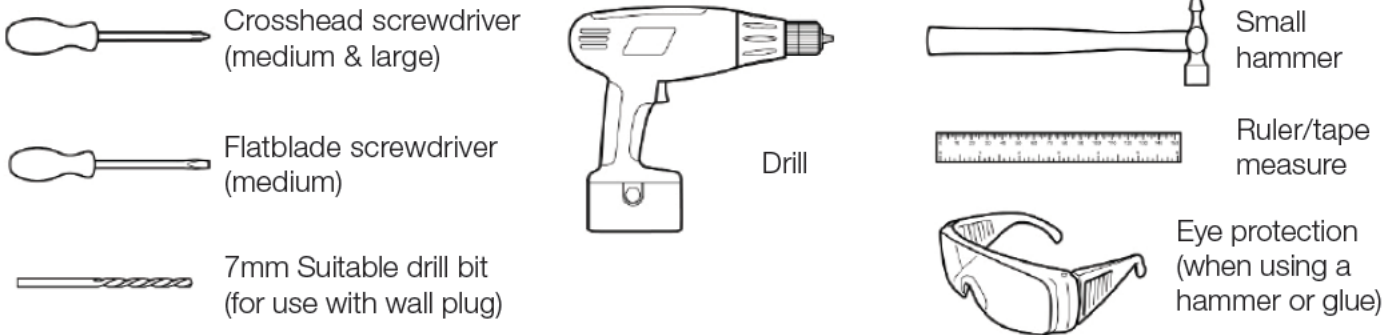


Please check you have all the fittings listed below

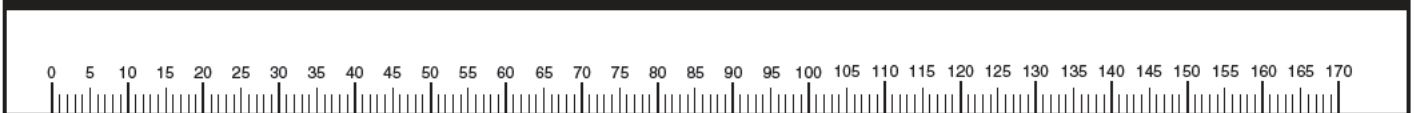
Note: The quantities below are the correct amount to complete the assembly. In some cases more fittings may be supplied than are required.

1 58mm Screw x 6 	2 Camlock nut x 12 	3 Camlock bolt x 12 
4 Magnet x 4 	5 Metal plate x 4 	6 Drawer stop x 4 
7 14mm Screw x 12 	8 13mm Screw x 8 	9 ø 6mm Dowel x 20 
10 ø 8mm Dowel x 4 	11 Screw x 28 	12 Knob x 2 
13 Handle Screw x 2 	14 Hinge set x 2 	15 Wall plug & screw x 2 
16 Glue x 1 	17 Screw cover x 6 	

Tools required



Ruler - Use this ruler to help correctly identify the screws



Assembly Instructions

Step 1

Preparation

a: Insert 4 camlock bolts **3** into the top **A**.

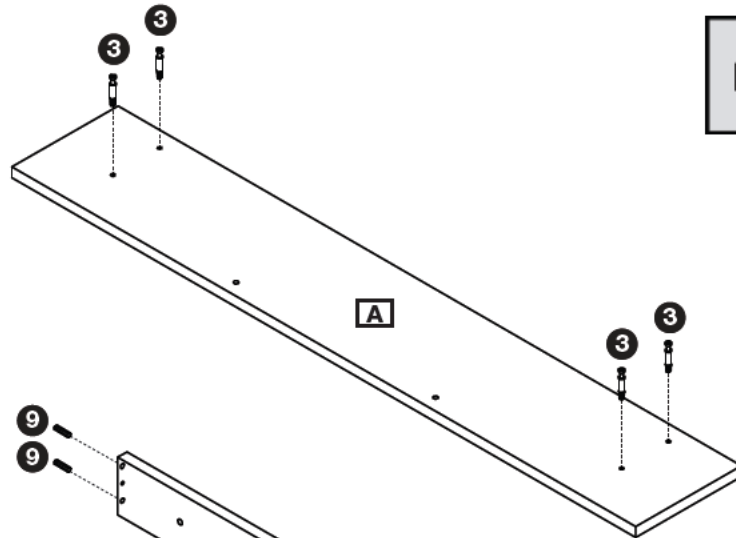
b: Insert 4 wooden dowels **9** (adding a dab of glue **16** to the end) into the back brace **H**.

c: Insert 6 (adding a dab of glue **16** to the end) into the front plinth **I**. Repeat for second front plinth **I**.

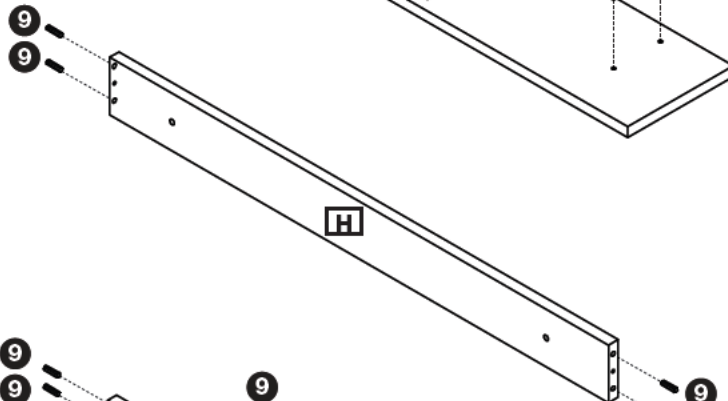
d: Insert 2 wooden dowels **9** (adding a dab of glue **16** to the end) into the shelf **F**. Insert camlock nut **2** and align the arrow with the edge. Repeat for shelf **G**.

e: Insert 2 wooden dowels **10** (adding a dab of glue **16** to the end) into the upright **D**. Insert 4 camlock bolts **3**. Attach 2 magnets **4** as shown (with the magnetic strips facing towards the edge) using 2 screws **11** each. Repeat for upright **E**.

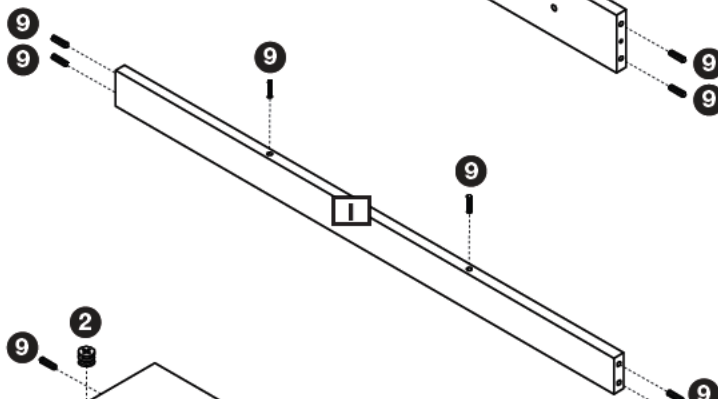
a:



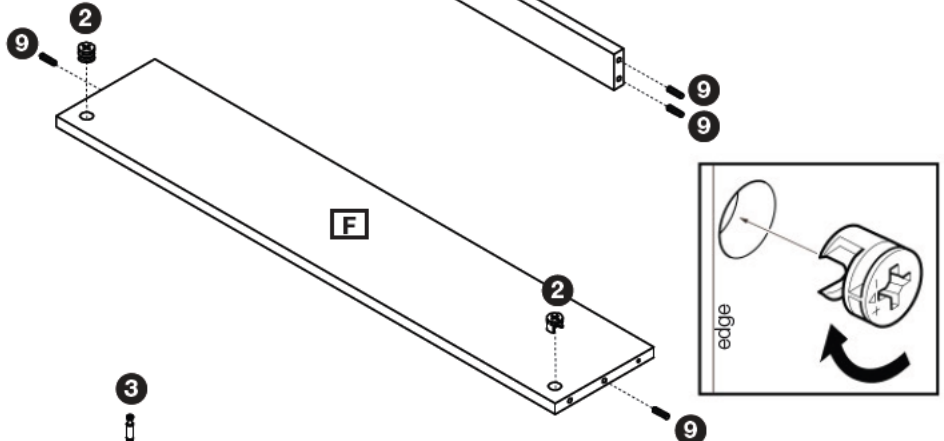
b:



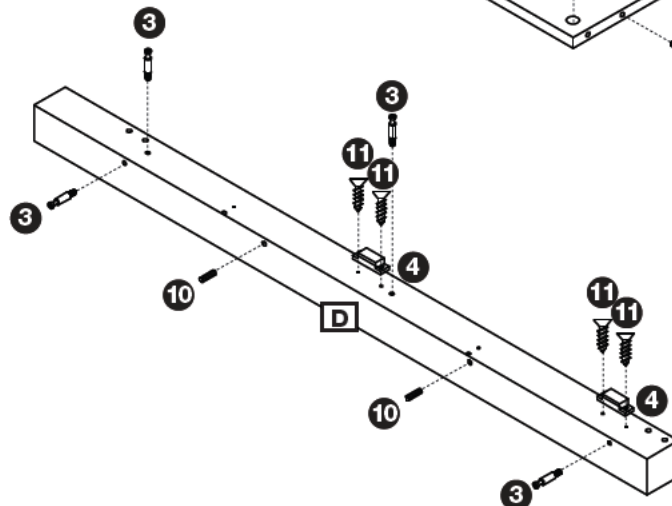
c:



d:



e:

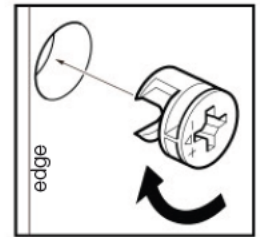
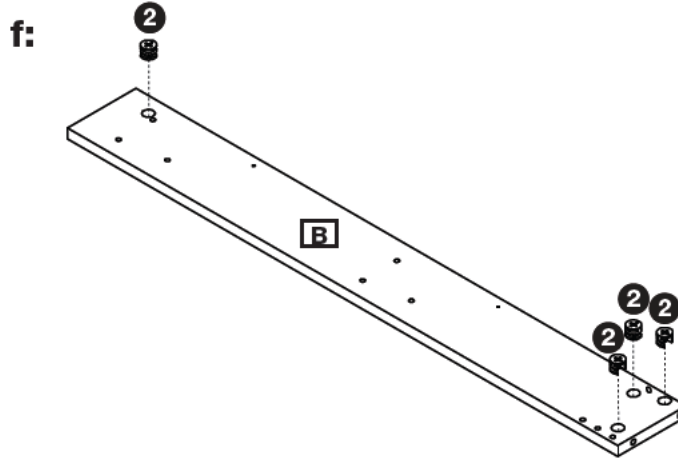


Assembly Instructions

Step 1 cont.

Preparation

f: Insert 4 camlock nuts **2** and align the arrows with the edge of right side **B**. Repeat for left side **C**.



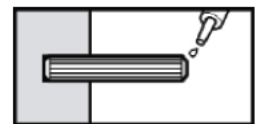
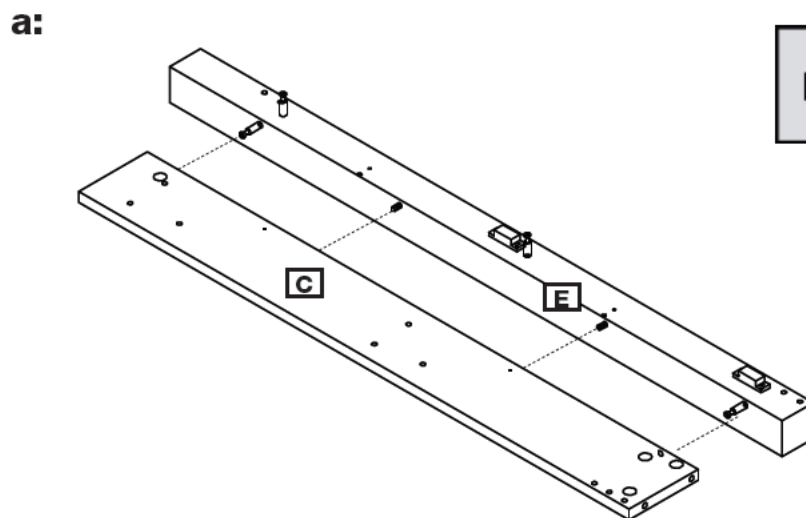
Step 2

Frame Assembly

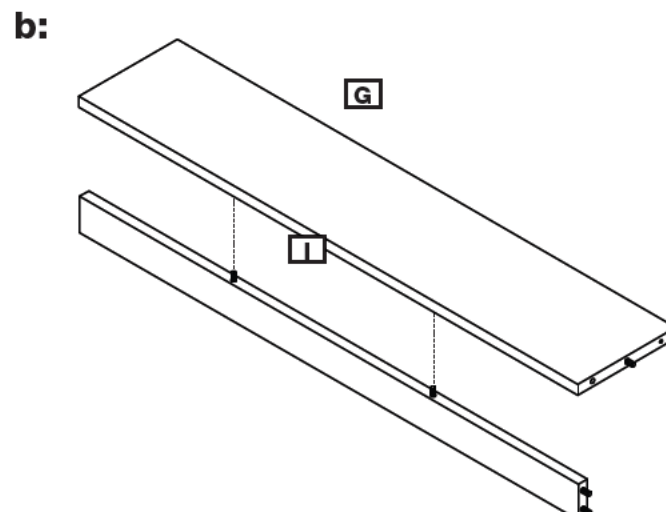
a: Slot left side **C** onto left upright **E**. (adding a dab of glue **16** to the end of each dowel)

Rotate the camlock nuts **2** clockwise for about 1/4 to 1/2 a turn or until the bolt "connects" with the screw and is secure.

Repeat to attach right side **B** to right upright **D**.



b: Slot bottom shelf **G** onto front plinth **I**. (adding a dab of glue **16** to the end of each dowel)



Assembly Instructions

Step 2 cont.

Frame assembly

c: Add 2 hinge pivots **14** to the right side section using 2 screws **8** each.

Slot base shelf **G** onto the right side section. (adding a dab of glue **16** to the end of each dowel) Secure with a screw **1** adding a screw cap **17**.

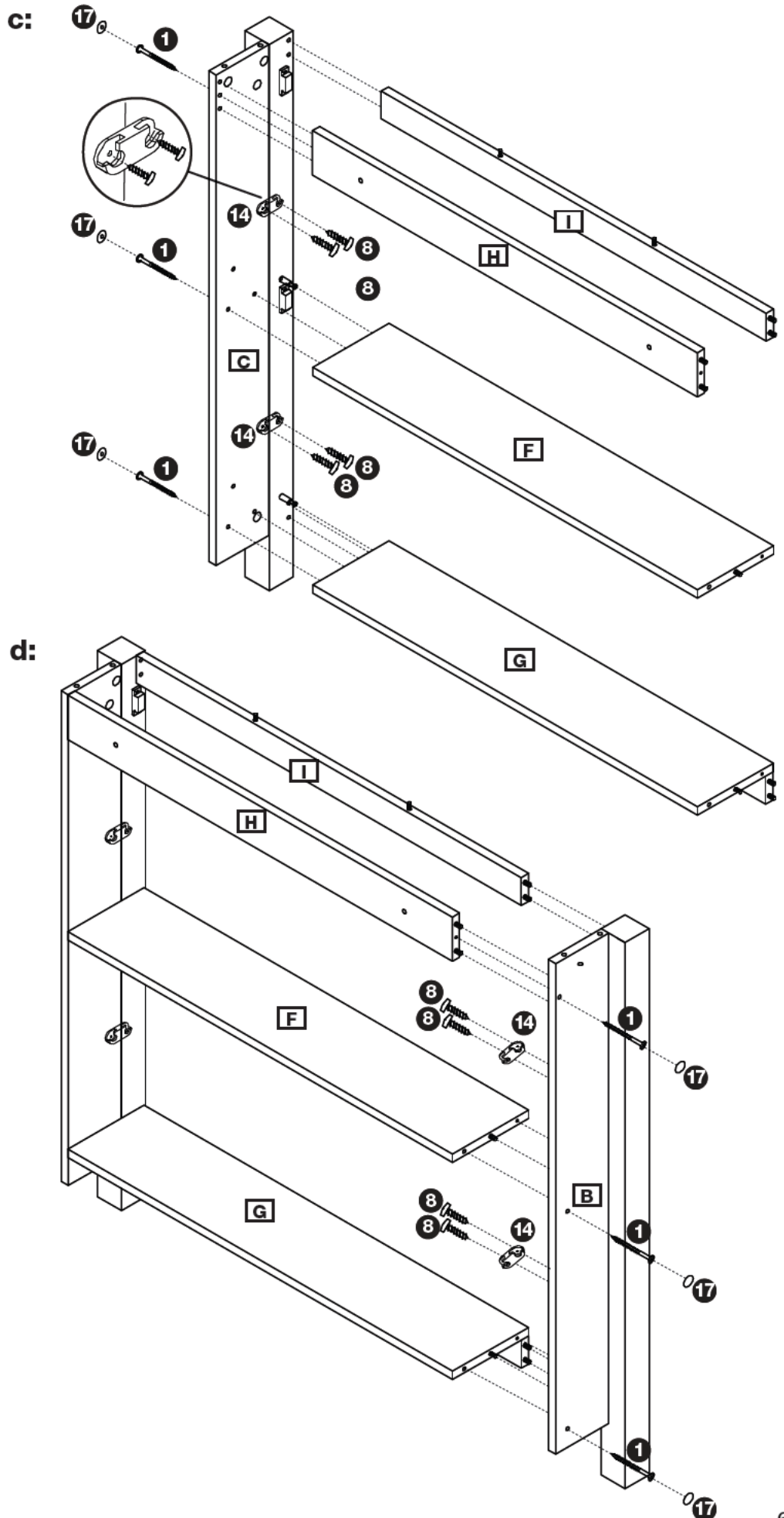
Slot middle shelf **F** onto the right side section. (adding a dab of glue **16** to the end of each dowel) Secure with a screw **1** adding a screw cap **17**.

Slot back brace **H** onto the right side section. (adding a dab of glue **16** to the end of each dowel) Secure with a screw **1** adding a screw cap **17**.

Slot front plinth **I** onto the right side section (adding a dab of glue **16** to the end of each dowel)

Rotate the camlock nuts **2** clockwise for about 1/4 to 1/2 a turn or until the bolt "connects" with the screw and is secure.

d: Repeat **c:** to attach the left side section.



Assembly Instructions

Step 2 cont.

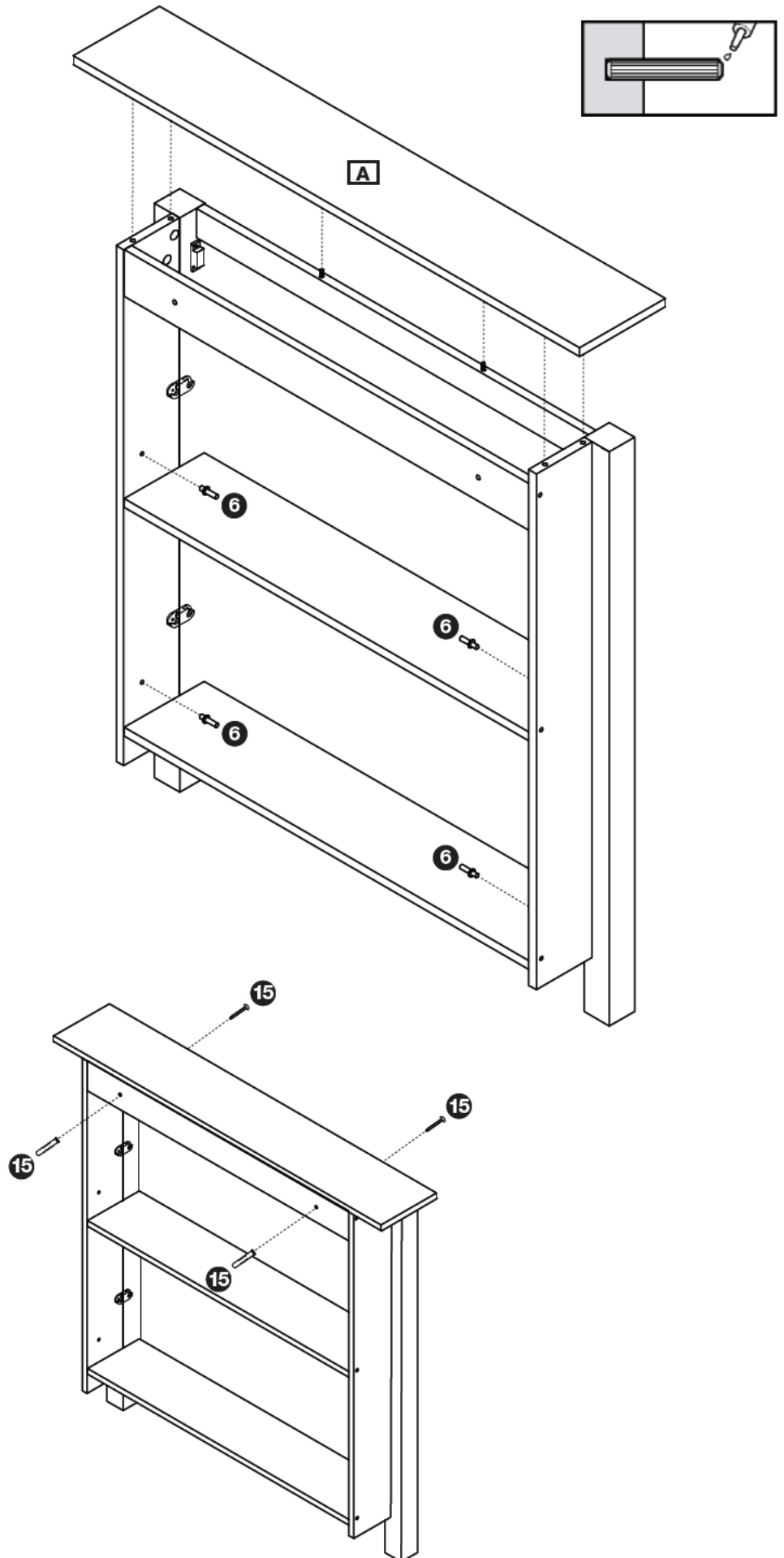
Frame assembly

f: Slot the top **A** onto the assembled frame (adding a dab of glue **16** to the end of each dowel)

Rotate the camlock nuts **2** clockwise for about 1/4 to 1/2 a turn or until the bolt “connects” with the screw and is secure.

Insert 4 drawer stops **6**, two for each side as shown.

f:



Step 3

Attaching to wall

This shoe cabinet must be fixed to a wall.

Measure the distance between the holes in the back brace **H** and transpose this measurement to the wall making sure the marks are level. Drill holes suitable for your wall plugs. Tap wall plugs into drilled holes.

Attach unit to wall using back brace **H**.

Note: make sure you use wall plugs suitable for your type of wall. Wall plugs and screws **15** which suit some types of wall are provided.

Assembly Instructions

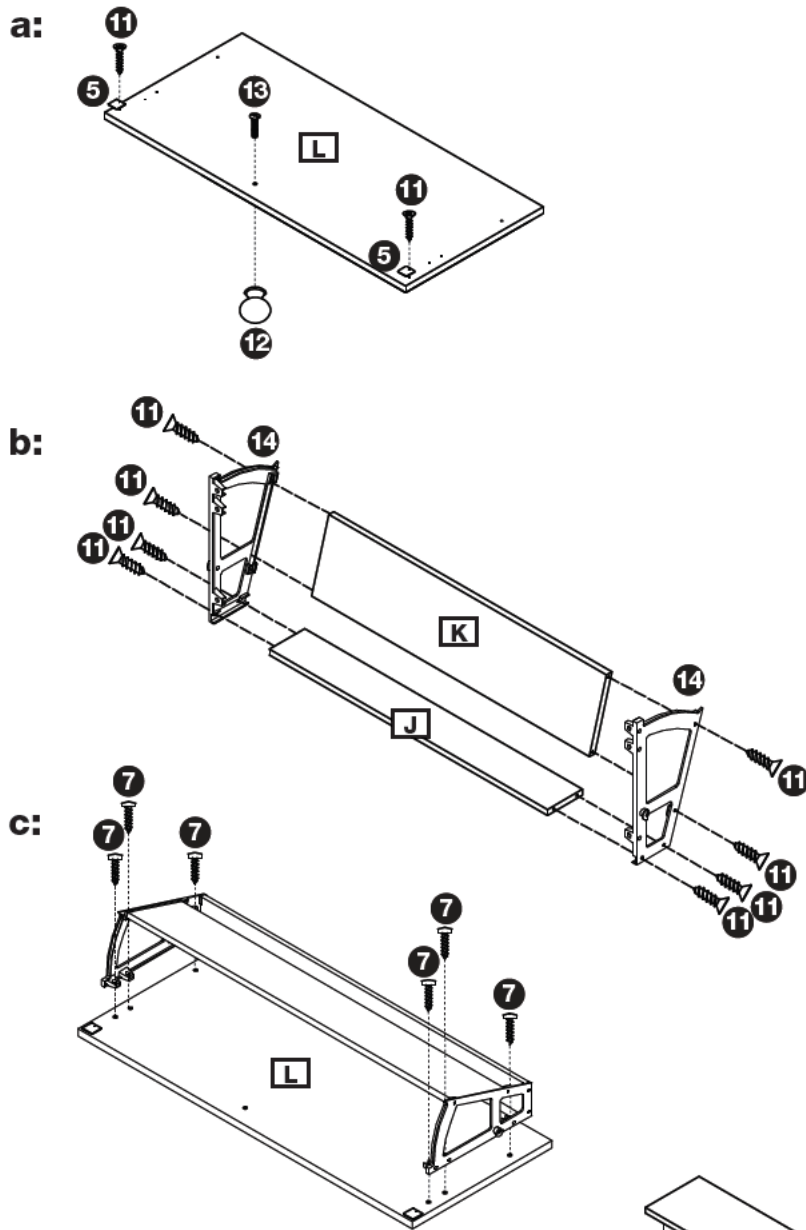
Step 4

Drawer assembly

a: Attach 2 metal plates **5** to the drawer front **L** using screws **11**. Attach the knob **12** to the drawer front **L** using screw **13**. Repeat for other drawer.

b: Attach the hinges **14** to either side of drawer back **K** and drawer base **J** using 4 screws **11** for each side. Repeat for other drawer.

c: Attach the assembled drawer frame to the drawer front **L** using 3 screws **7** on each side. Repeat for other drawer.

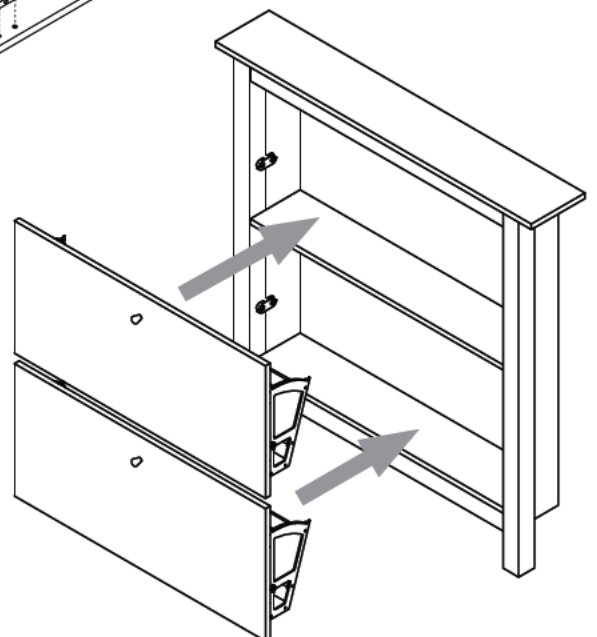


Step 5

Inserting drawers

Slot each assembled drawer into the main frame.

Assembly is complete.



A Guide to - Wall Mounting & Fixings

Important note:

If plastic wall plugs are supplied with your product:



- these are only suitable for use in masonry walls.

If you are in any doubt about the correct wall plugs for your wall, seek professional advice.

Failure of the product due to using incorrect fixings is the responsibility of the installer.



Important: When drilling into walls always check that there are no hidden wires or pipes etc.

Make sure that the screws and wall plugs being used are suitable for supporting your unit. Consult a qualified tradesperson if you are unsure.

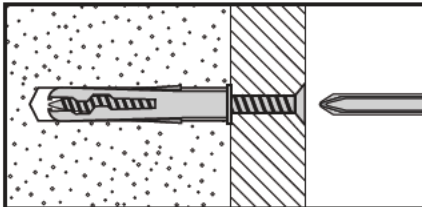
Hints:

- 1: General rule:** ⚠ Always use a larger screw and wall plug if you are not sure.
- 2:** Ensure you use the recommended drill bit to match the wall plug and hole size.
- 3:** Ensure you drill the hole horizontally, do not force the drill or enlarge the hole.
- 4:** Take extra care when drilling high walls, ceilings and ceramic tiles. Ensure wall plugs are inserted beyond the thickness of the ceramic tiles to avoid the tiles splitting or cracking.
- 5:** Ensure wall plugs are well fitted and are a tight fit in the drilled hole.

Types of walls

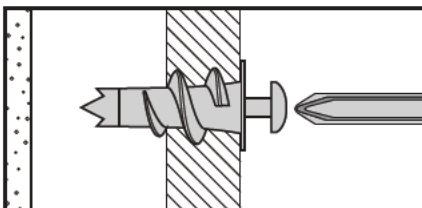
You can use one of the following types of wall plug if your walls are made of brick, breeze block, concrete, stone or wood.

No.1 "General Purpose" wall plug



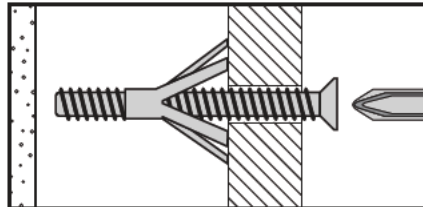
Generally aerated blocks should not be used to support heavy loads, use a specialist fitting in this case. For light loads, general purpose wall plugs can be used.

No.2 "Plasterboard" wall plug



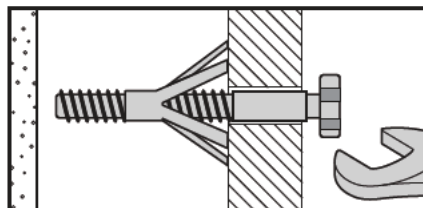
For use when attaching light loads on to plasterboard partitions.

No.3 "Cavity Fixing" wall plug



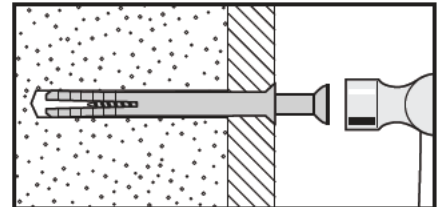
For use with plasterboard partitions or hollow wooden doors.

No.4 "Cavity Fixing-Heavy Duty" wall plug



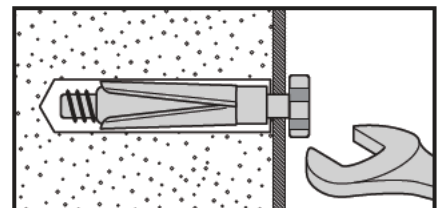
For use when fitting or supporting heavy loads such as shelving, wall cabinets and coat racks.

No.5 "Hammer Fixing" wall plug



For use with walls stuck with plasterboard. The hammer fixing allows it to be fixed to the wall rather than the plasterboard. Always check the fixing is secure to the retaining wall.

No.6 "Shield Anchor" wall plug Heavy loads



For use with heavier loads such as TV & HiFi speakers and satellite dishes etc.



Care & Maintenance

Safety: Always check the fitting and location to ensure your safety in and around the home.

Fitting: From time to time check the fitting to ensure the wall plugs or screws do not become loose.