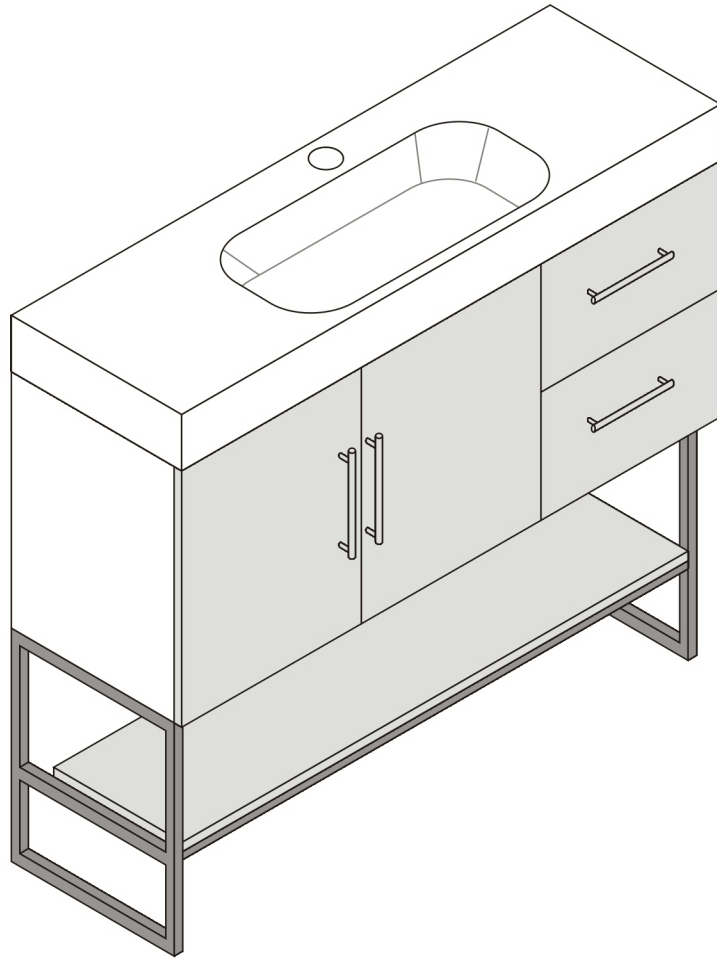


# Bathroom cabinet

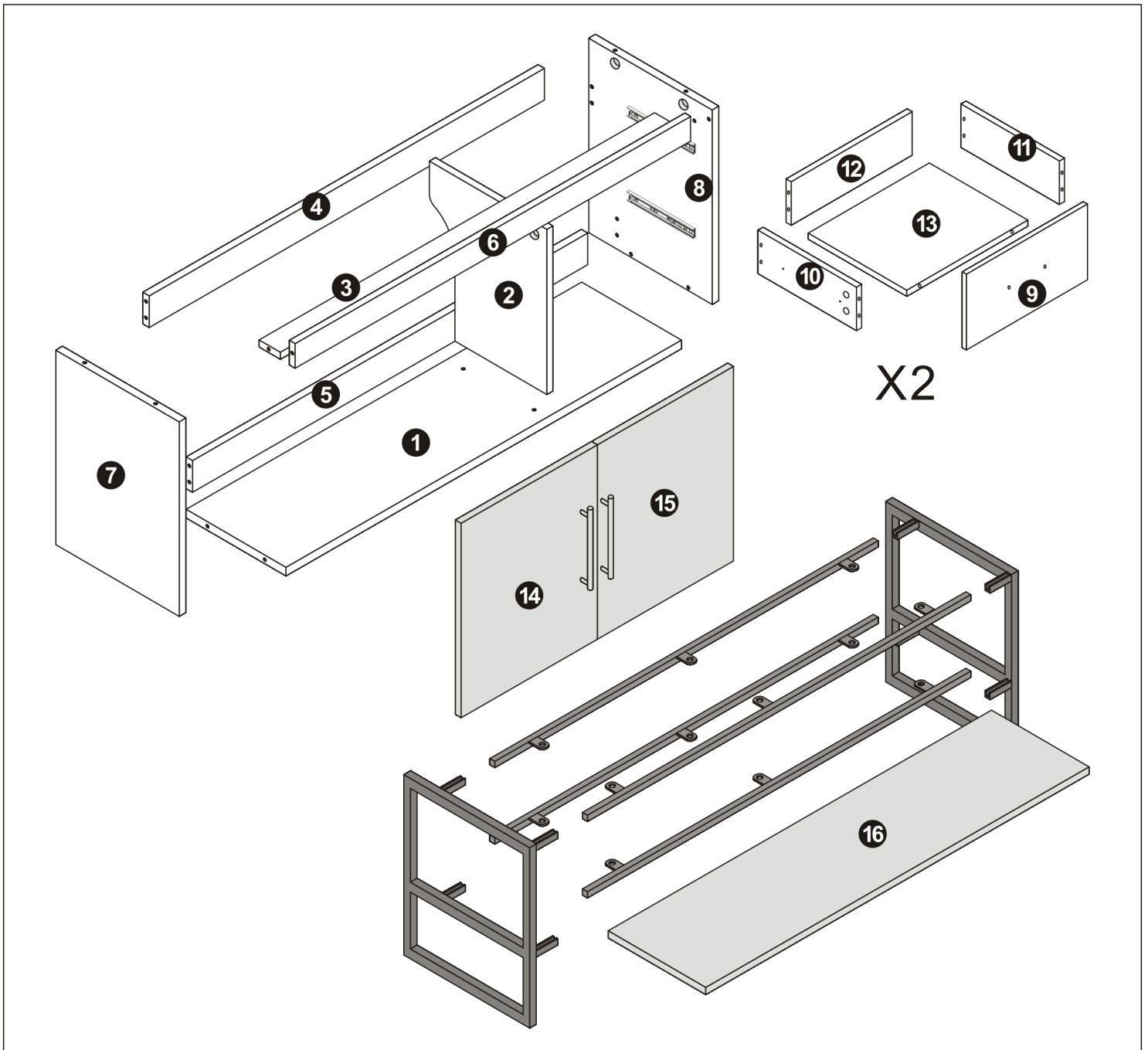


2 Persons

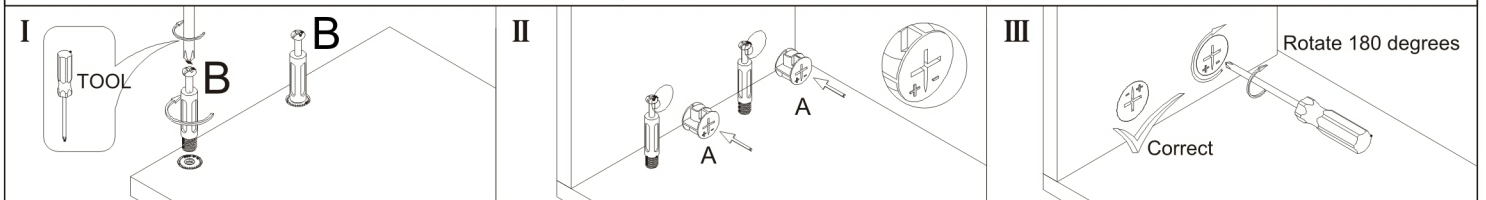
L876\*W440\*H738MM












## Installation Instructions

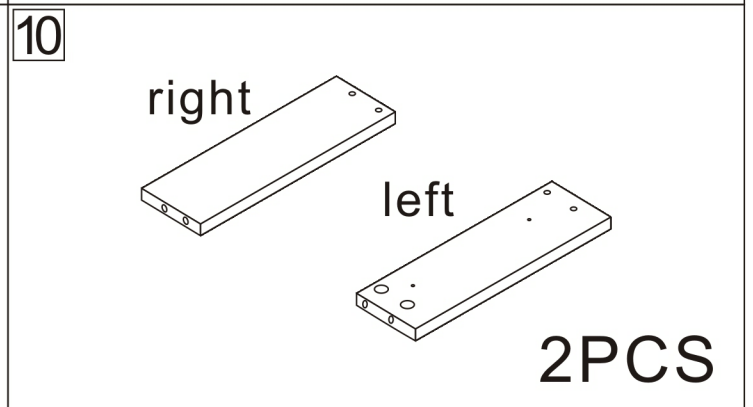
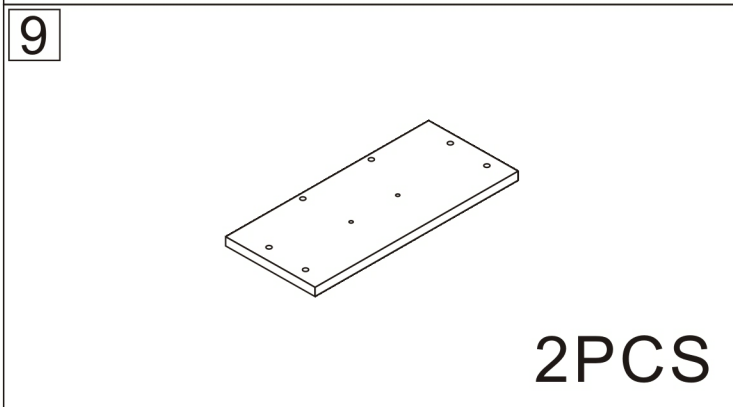
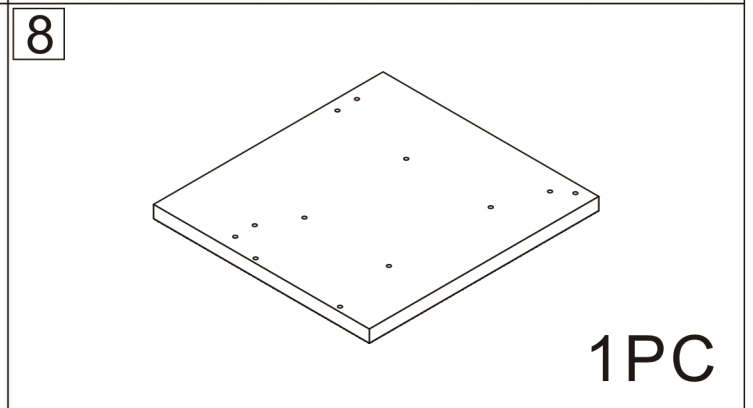
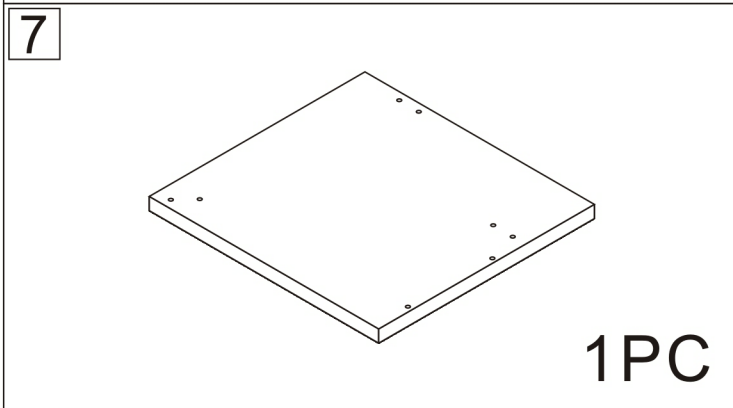
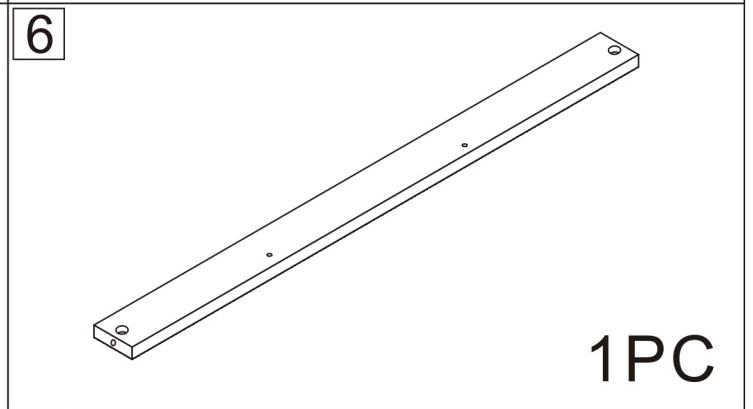
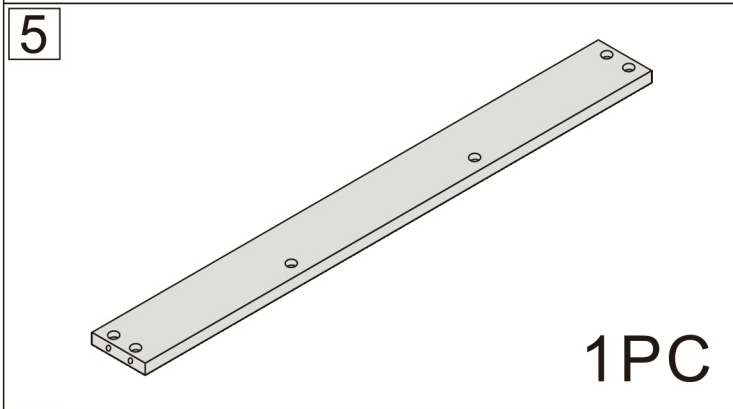
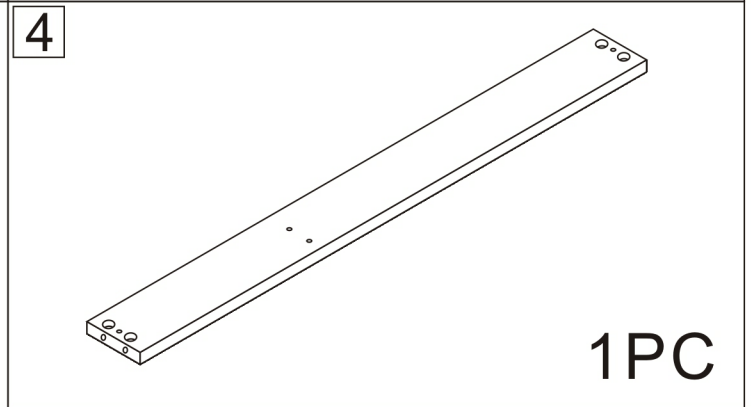
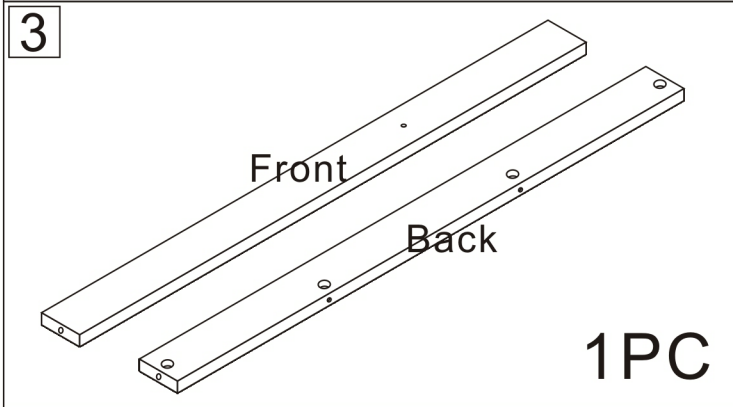
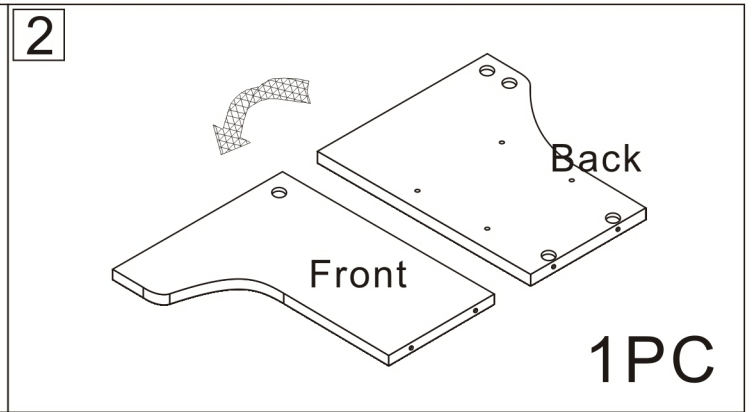
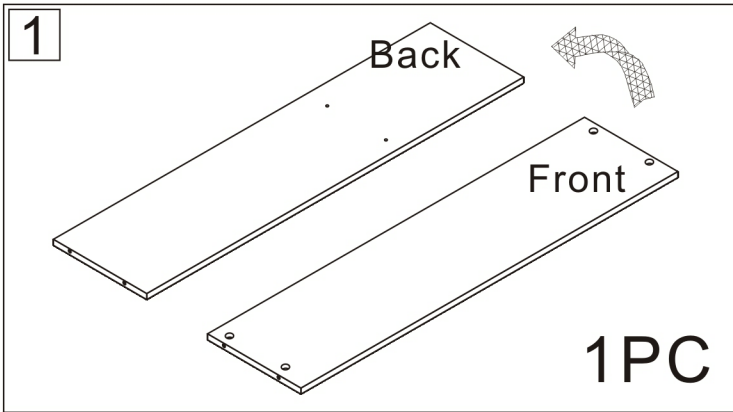
Notes: Don't tighten screws completely at first, just in case parts were assembled wrongly and need disassemble. Tighten screws at last when all parts are put together.



Disassembly and installation of accessories

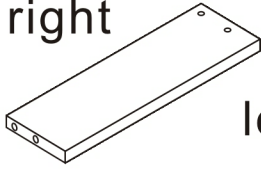


<b>A</b> 37PCS  15*10mm	<b>B</b> 37PCS  6*28mm	<b>C</b> 52PCS  3.5*14mm	<b>D</b> 20PCS  3.5*35mm	<b>E</b> 8PCS  4*20	<b>F</b> 4PCS  6mm	<b>G</b> 16PCS  6*15mm	<b>H</b> 4PCS  128 handles	
<b>I</b> 2PCS  Three-section Rail	<b>J</b> 2PCS  Straight bend	<b>L</b> 2PCS  Mid bend						

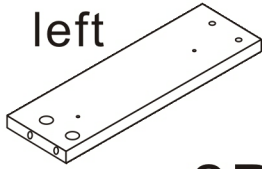


11

right

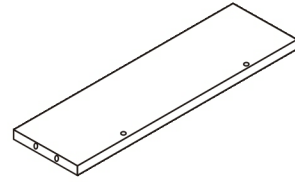


left



2PCS

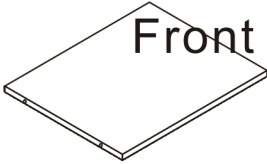
12



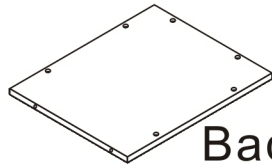
2PCS

13

Front



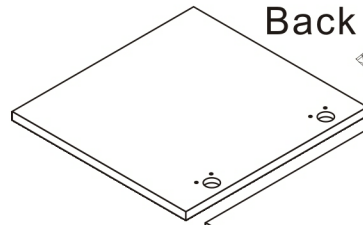
Back



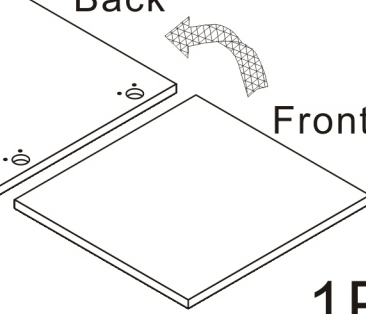
2PCS

14

Back



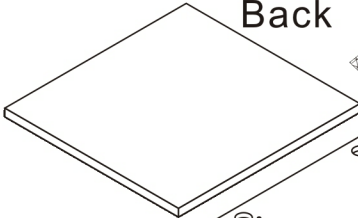
Front



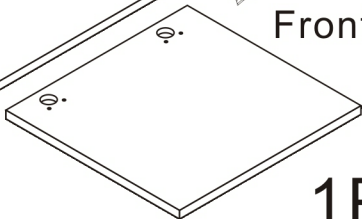
1PC

15

Back

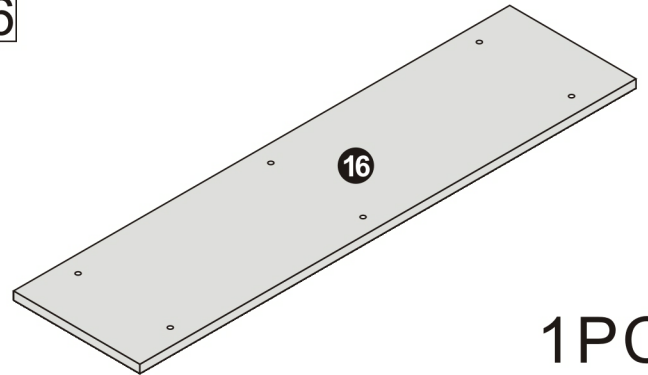


Front



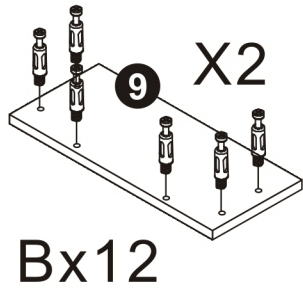
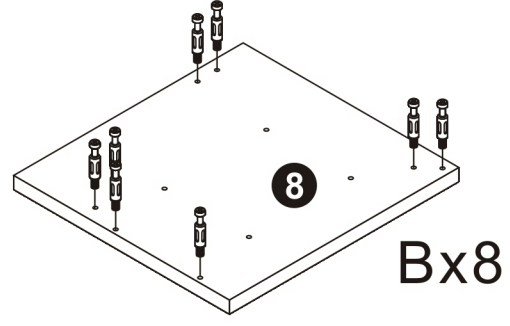
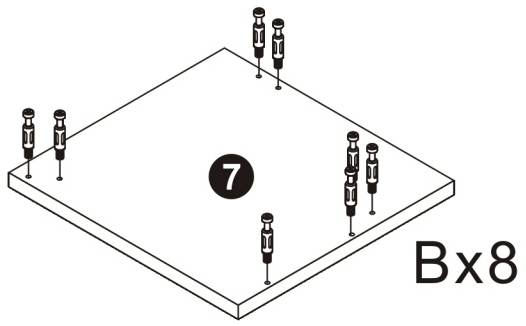
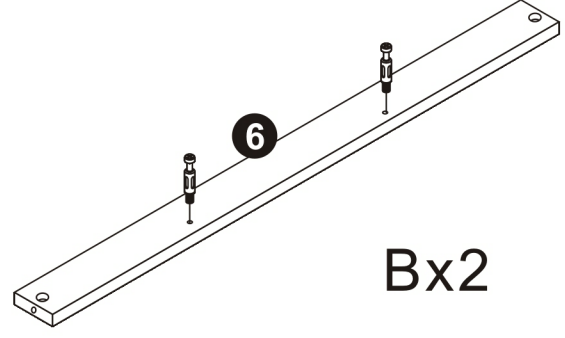
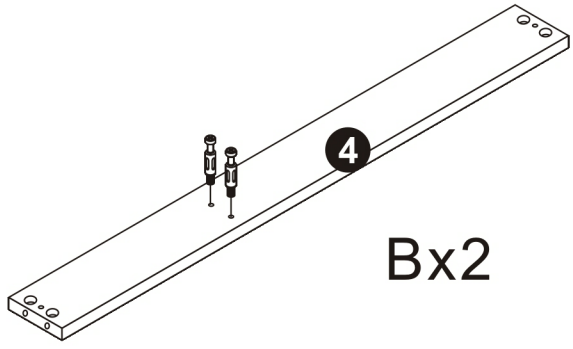
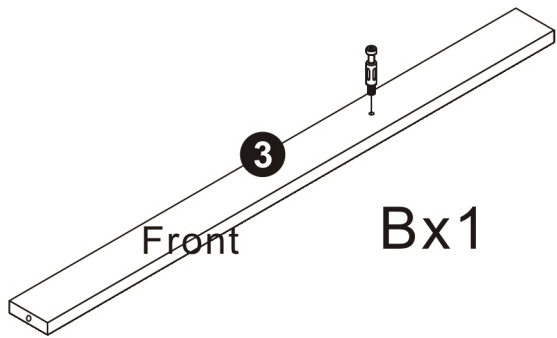
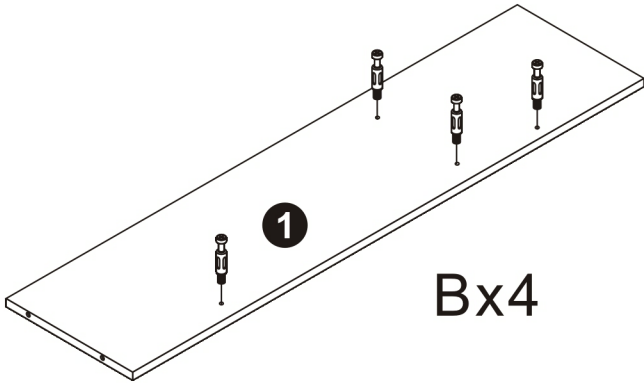
1PC


16



1PC

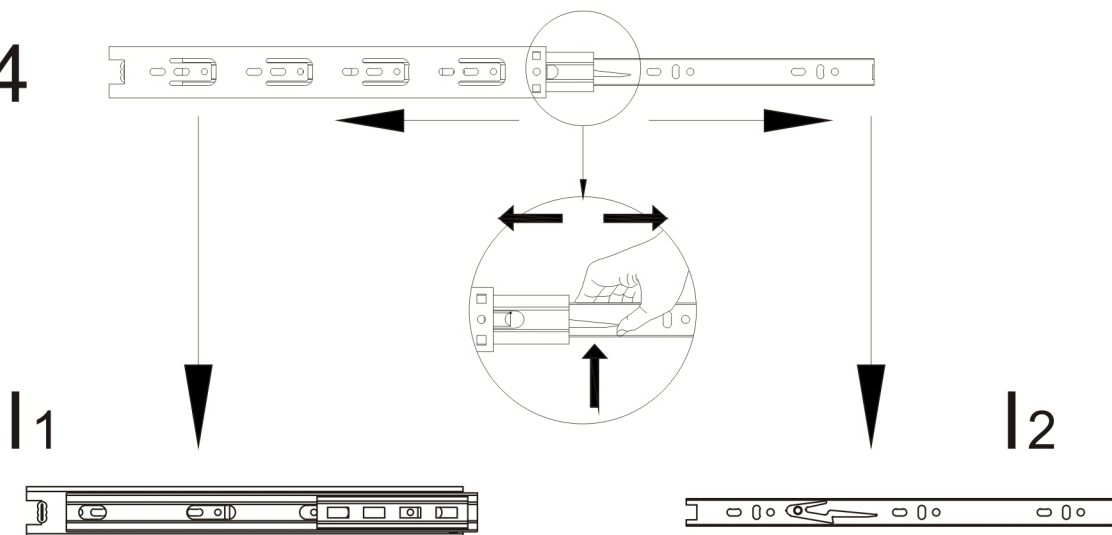
1



<b>B</b>	37PCS
	
6*28mm	

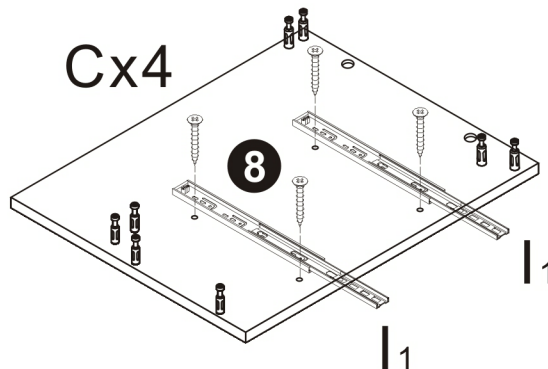
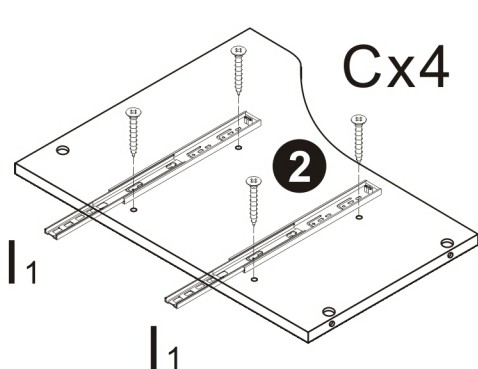
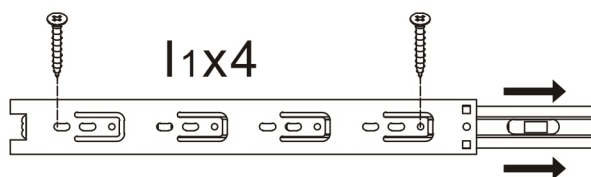
2

Ix4



I <sub>1</sub>	4PCS
Three-section Rail	

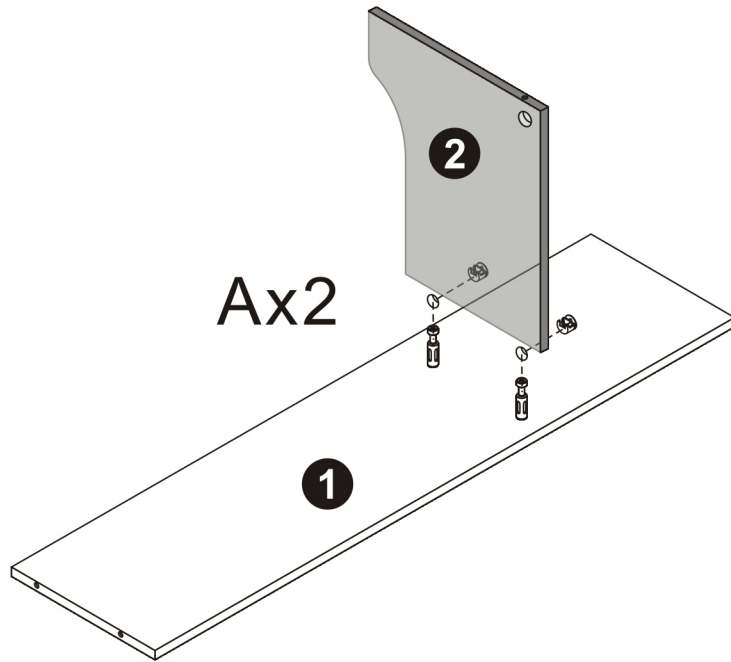
3




C	8PCS
3.5*14mm	

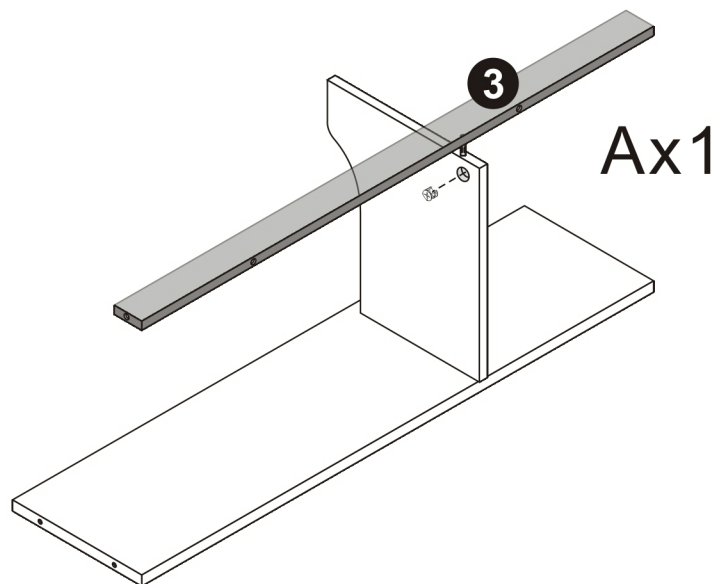
I <sub>1</sub>	4PCS
12 inch Three-section Rail	


4



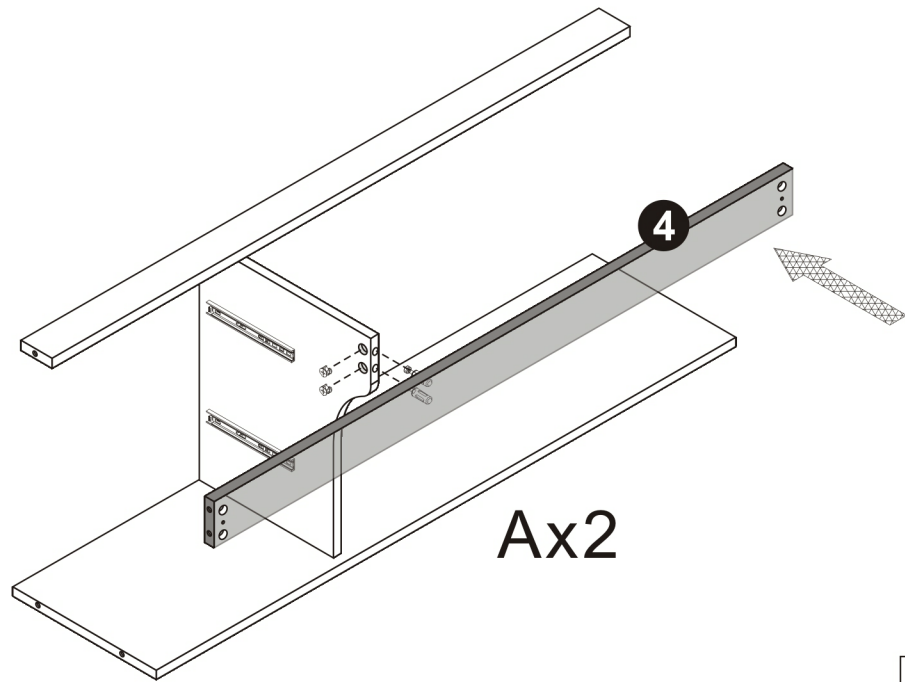
A	2PCS
	
15*10mm	

5



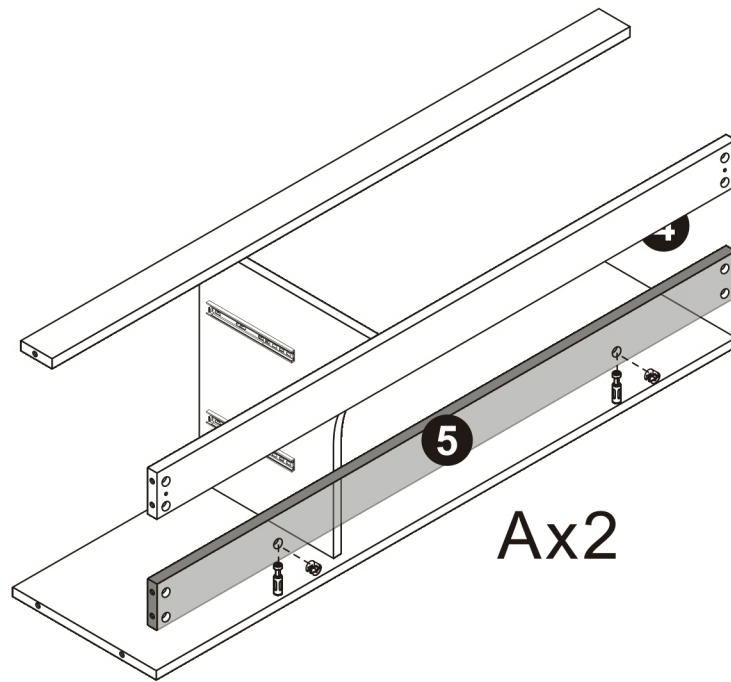
A	1PCS
	
15*10mm	

6



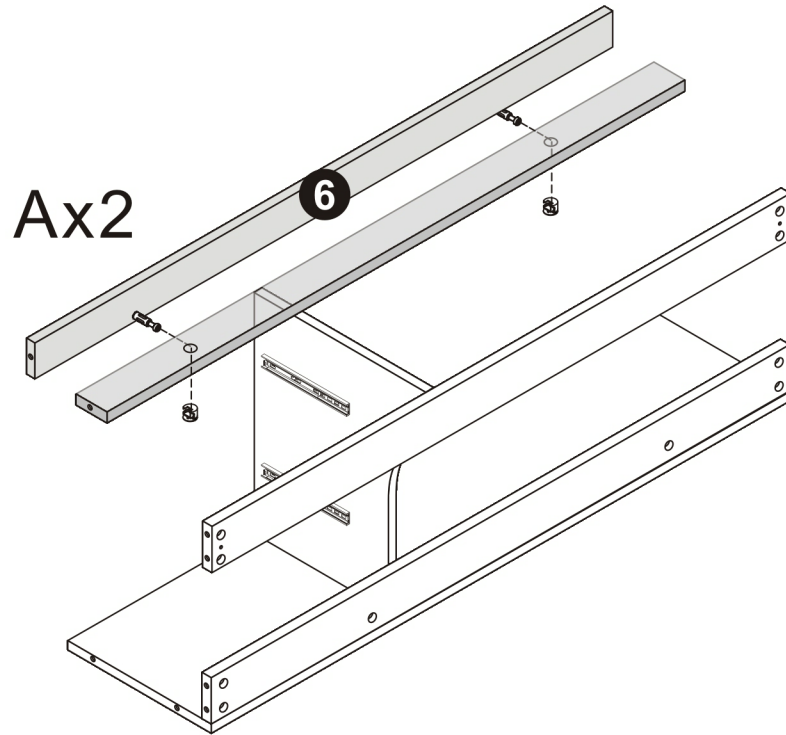
A	2PCS
15*10mm	


7



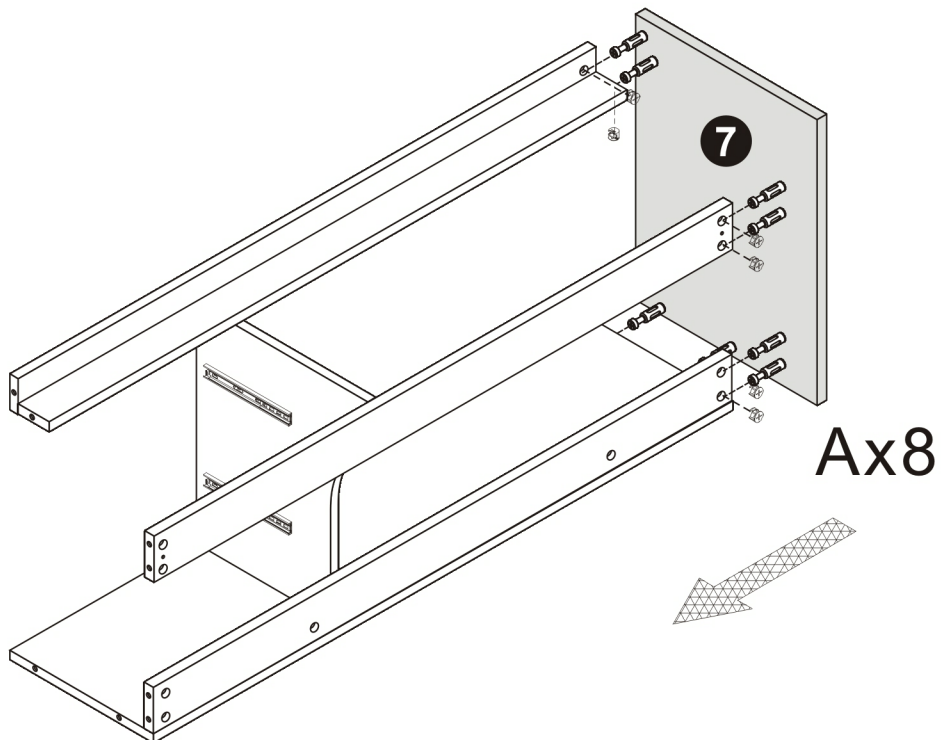
A	2PCS
15*10mm	


8



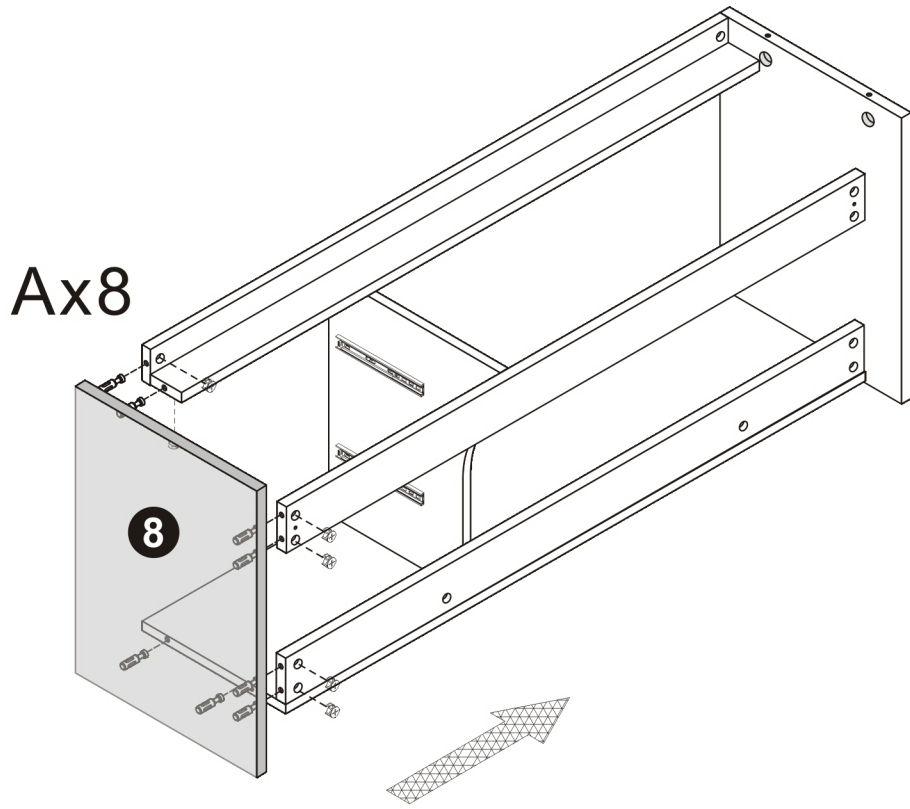
A	2PCS
	
15*10mm	


9



A	8PCS
	
15*10mm	

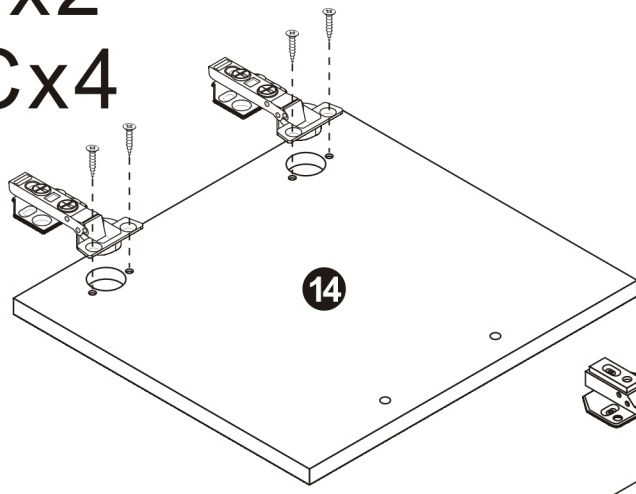
10



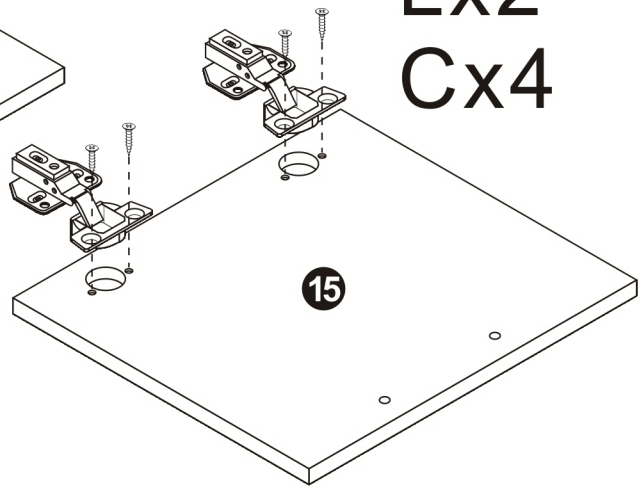
A	8PCS
	
15*10mm	

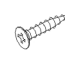
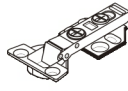

11

Jx2  
Cx4

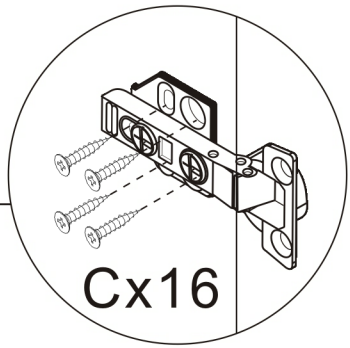
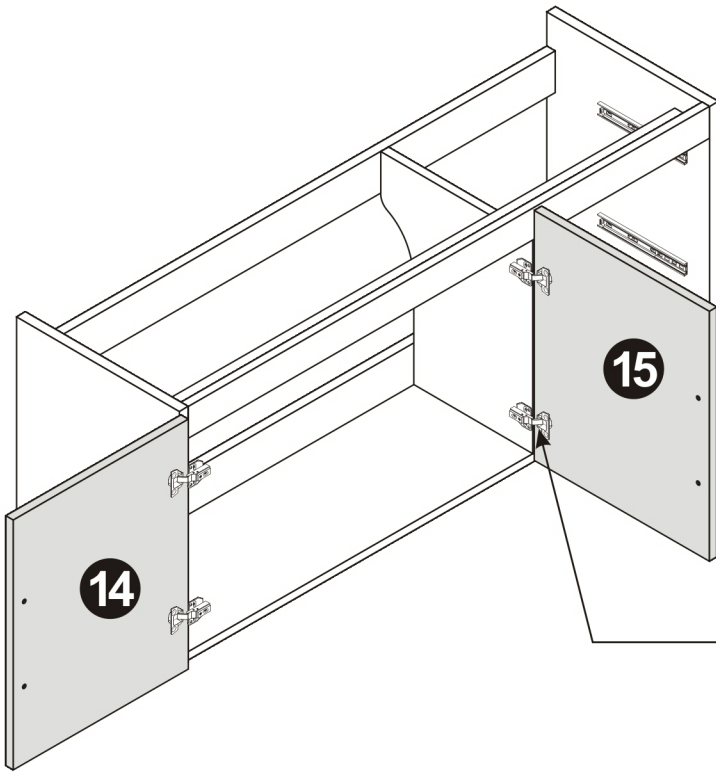



Lx2  
Cx4



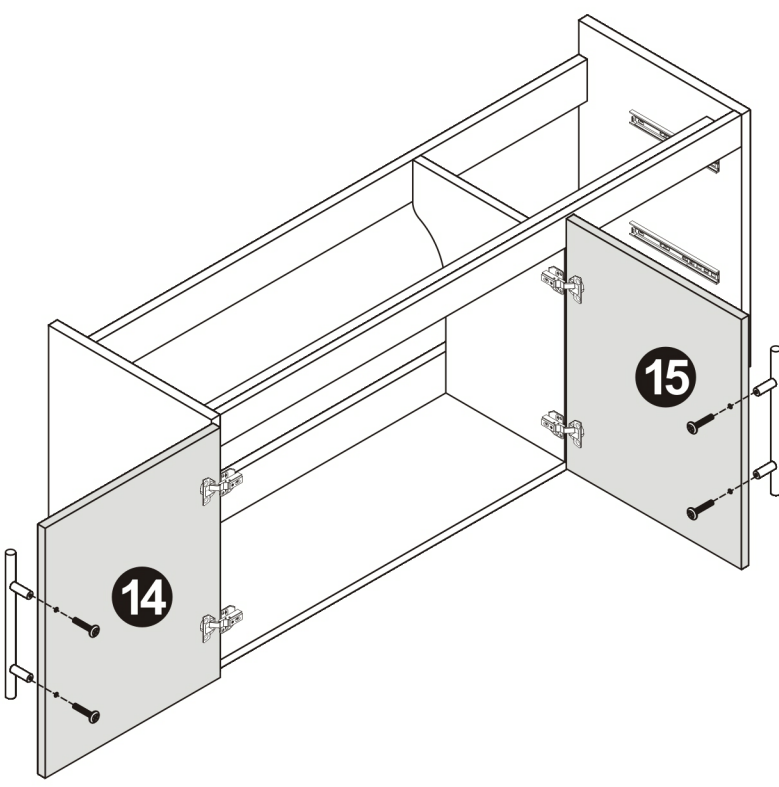
C	8PCS	J	2PCS	L	2PCS
					
3.5*14mm		Straight bend		Mid bend	

12


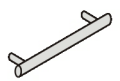


<b>C</b>	16PCS
	
3.5*35mm	

13



**Hx2**  
**Ex4**

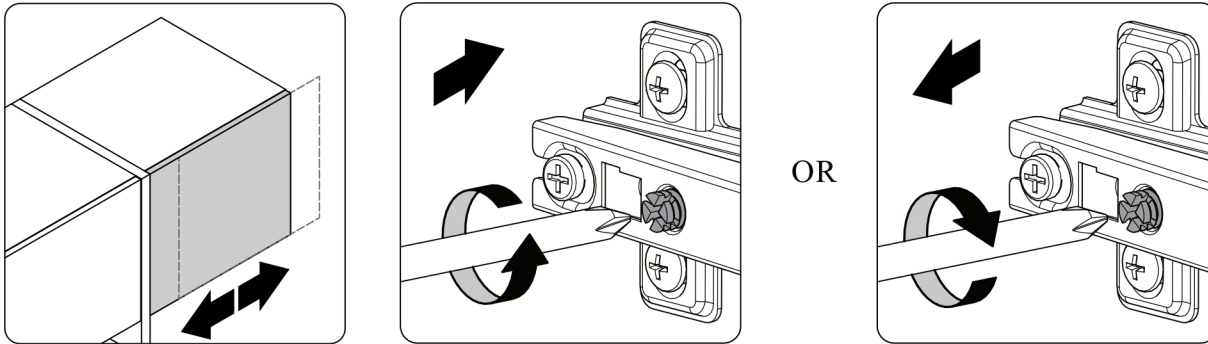
<b>E</b>	4PCS	<b>H</b>	2PCS
			
4*20		128 handles	

# SPECIAL TIPS FOR DOOR ALIGNMENT

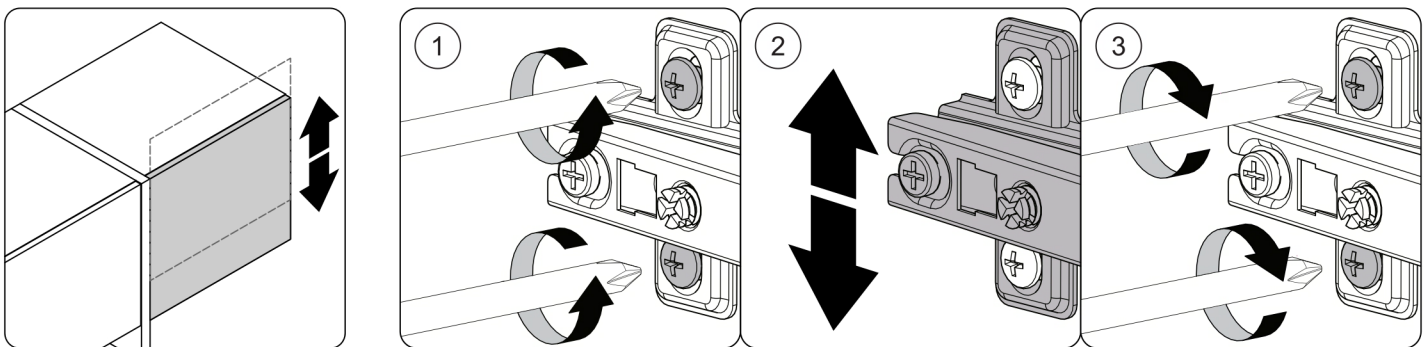
## CONSEJOS ESPECIALES PARA LA ALINEACIÓN DE PUERTAS

### CONSEILS SPÉCIAUX POUR L'ALIGNEMENT DES PORTES

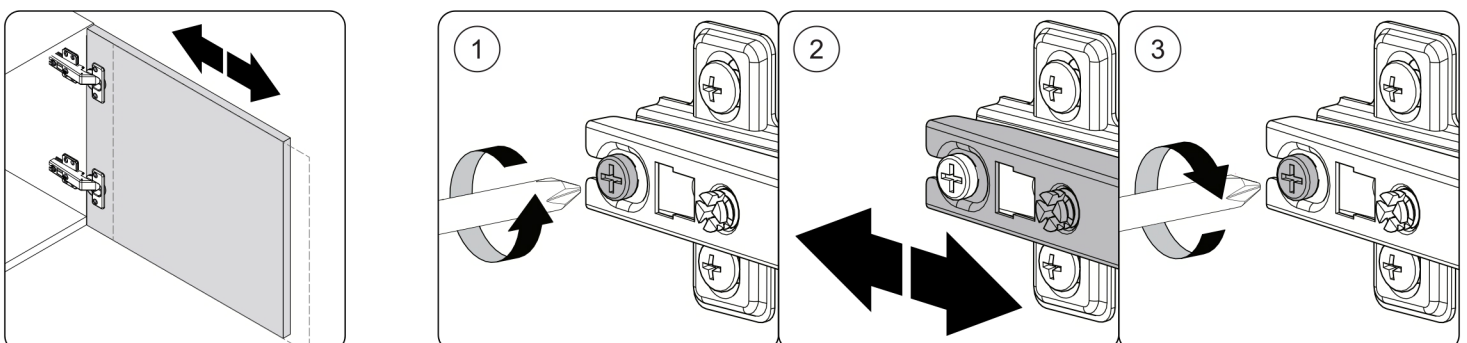
- A. Lateral adjustment (Moving door left-right) by screw adjusting  
 Ajuste lateral (Puerta móvil de izquierda a derecha) mediante tornillo de ajuste  
 Réglage latéral (porte mobile gauche-droite) par réglage à vis



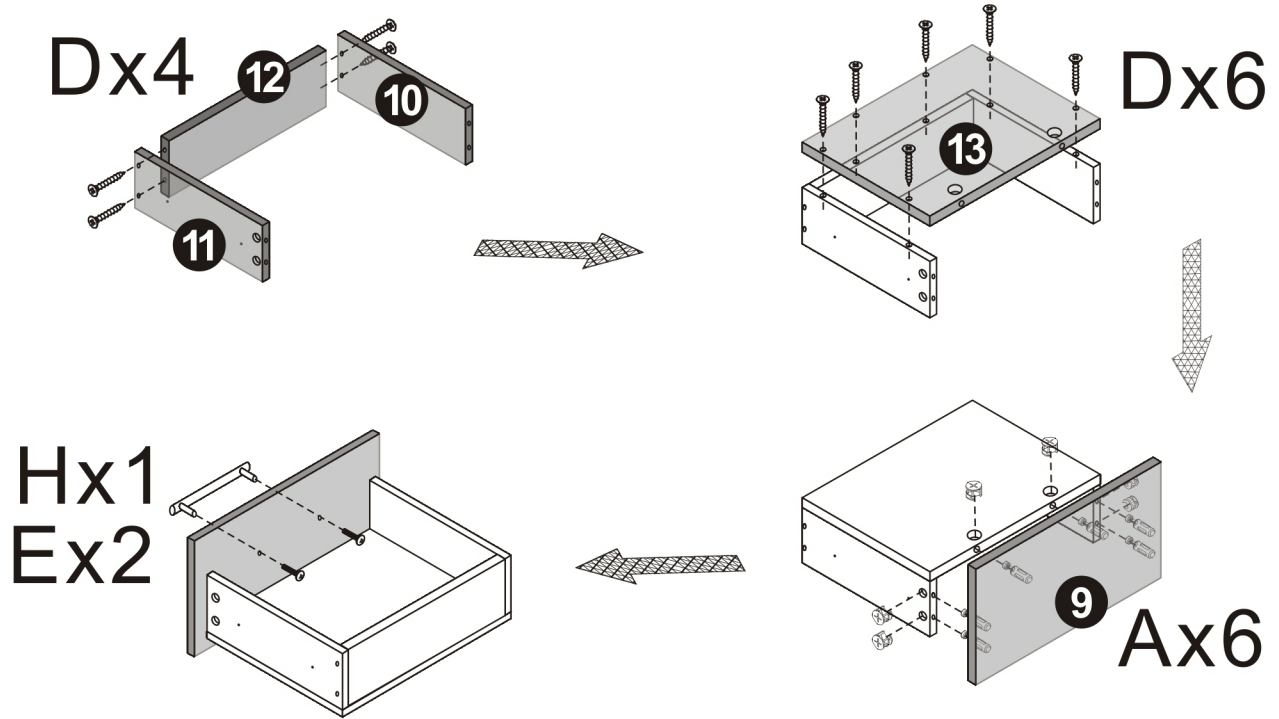
- B. Vertical adjustment (Moving door up-down) via the slot on the mounting plate  
 Ajuste vertical (Puerta móvil arriba-abajo) a través de la ranura en la placa de montaje  
 Réglage vertical (porte mobile de haut en bas) via la fente sur la plaque de montage



- C. Front-to-back adjustment (Spacing Door Off Cabinet) by slacking the hinge arm mounting screw  
 Ajuste de adelante hacia atrás (espaciado entre la puerta y el gabinete) aflojando el tornillo de montaje del brazo de la bisagra  
 Ajustement d'avant en arrière (espacement de la porte hors de l'armoire) en desserrant la vis de montage du bras de charnière



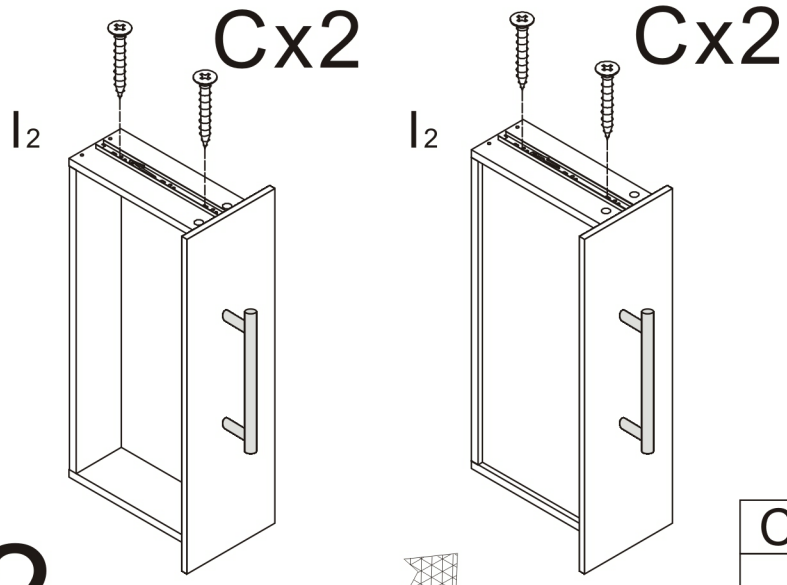
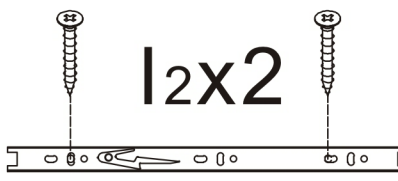
14



X2

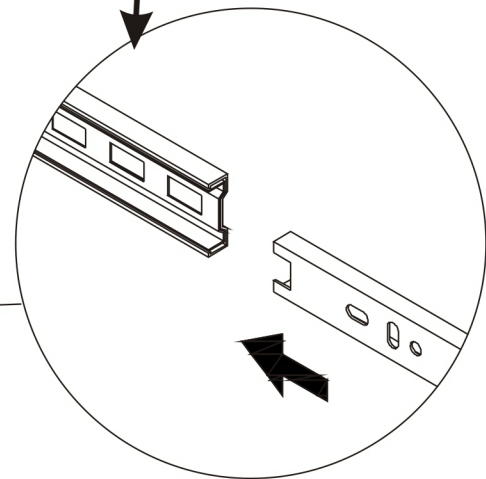
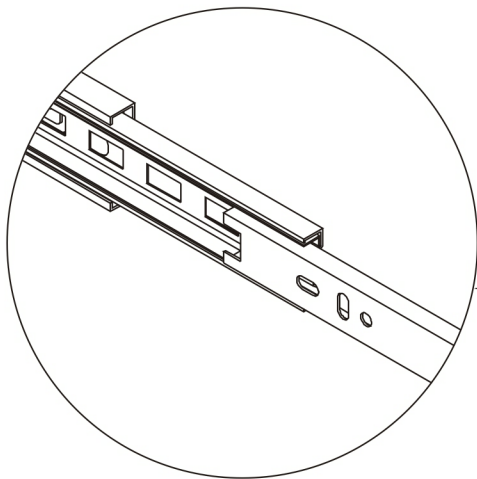
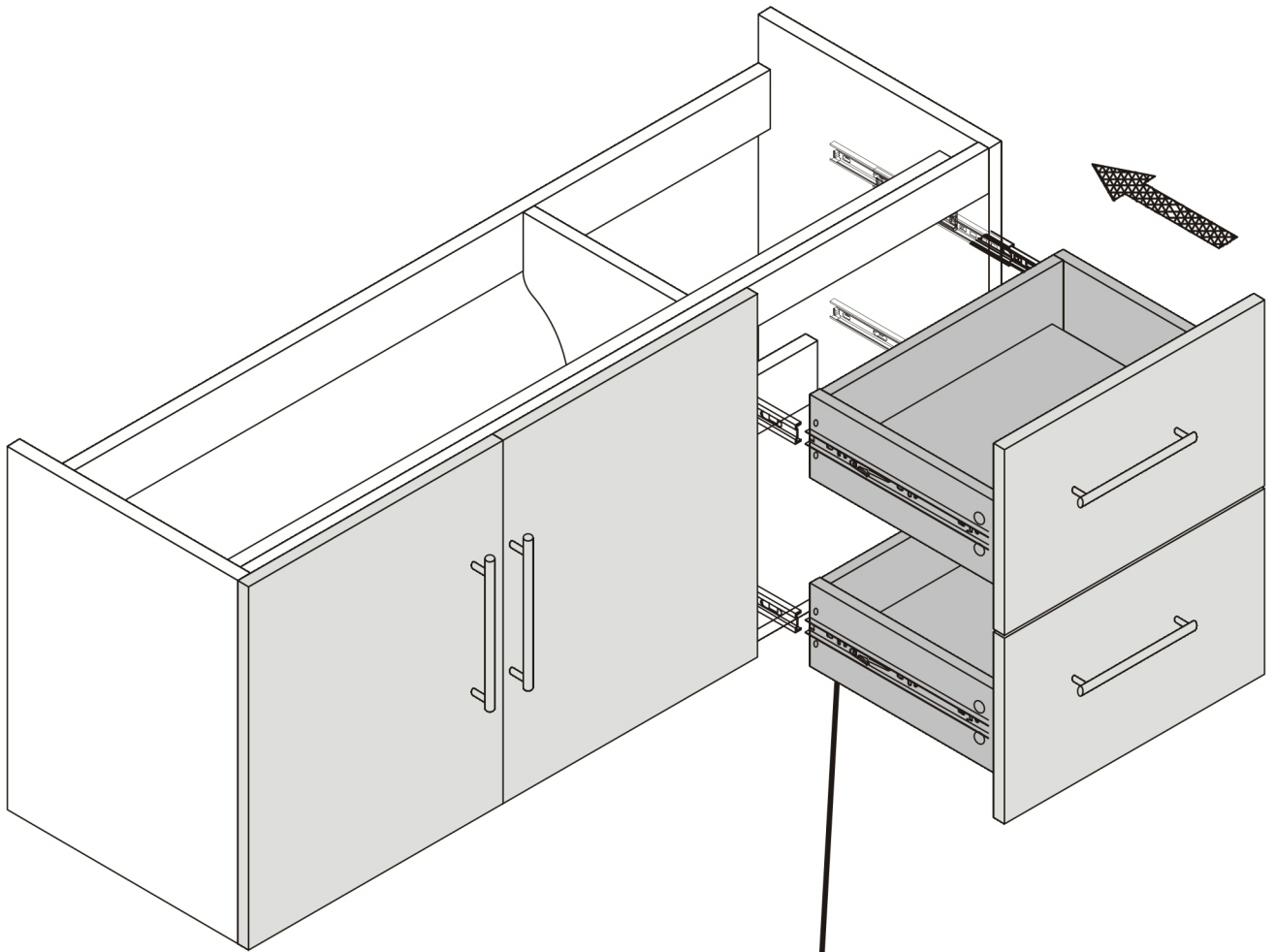
<b>A</b>	12PCS	<b>D</b>	20PCS	<b>E</b>	4PCS	<b>H</b>	2PCS
15*10mm		3.5*35mm		4*20		128 handles	

15

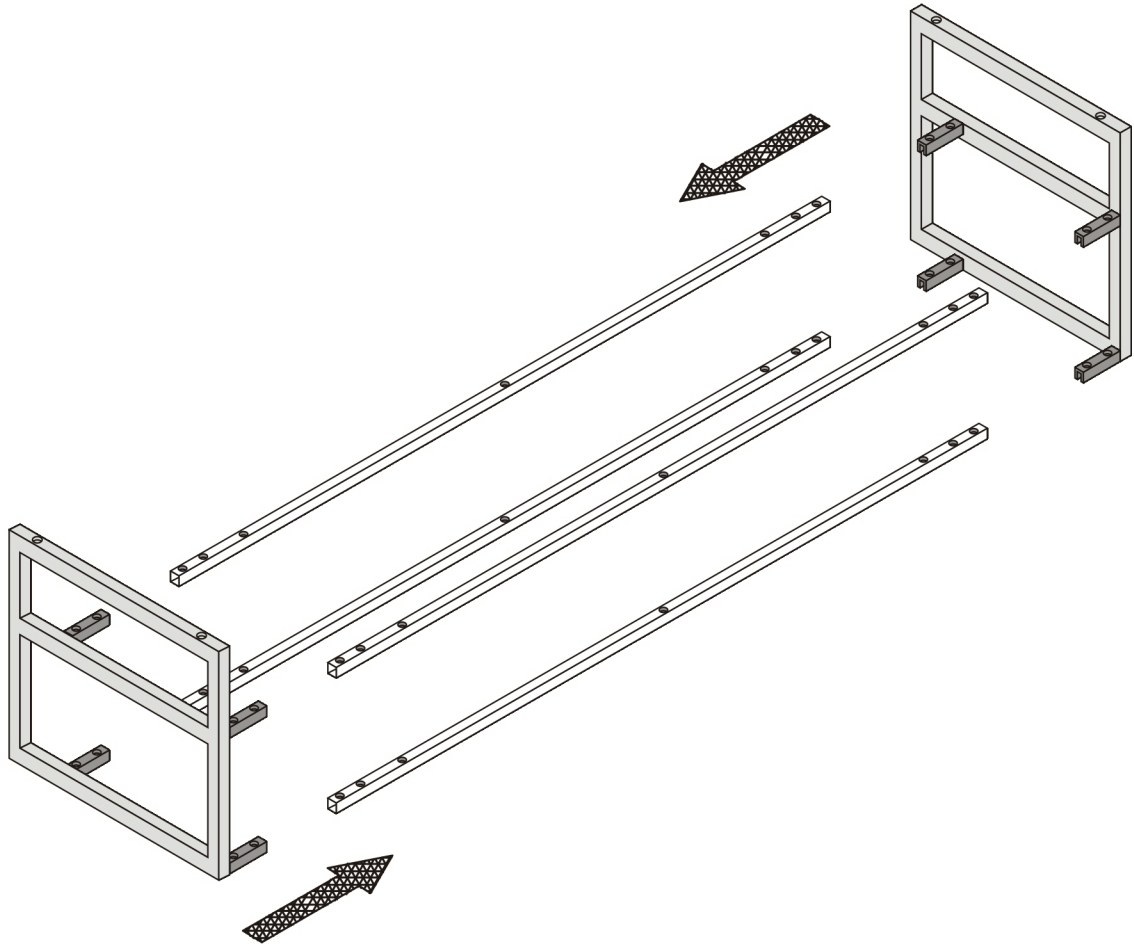


X2

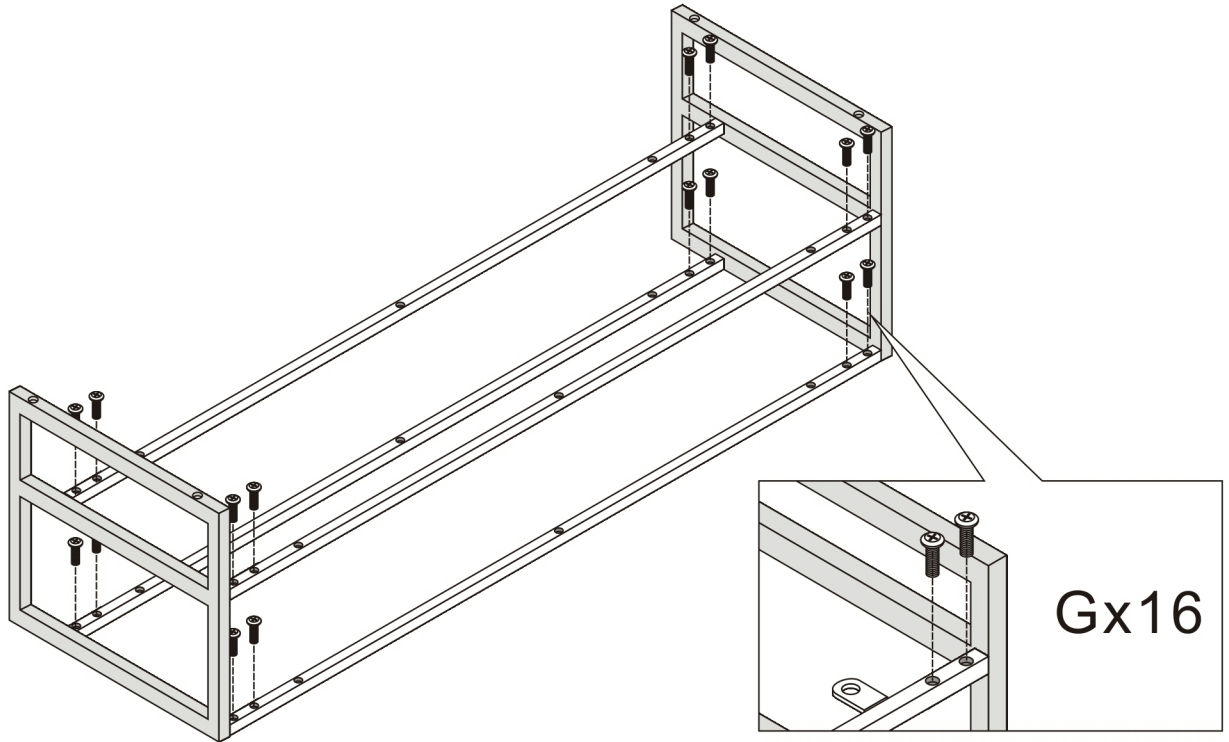
<b>C</b>	8PCS	<b>I</b>	2PCS
3.5*14mm		Three-section Rail	




17



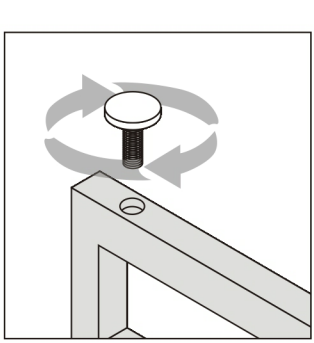
18



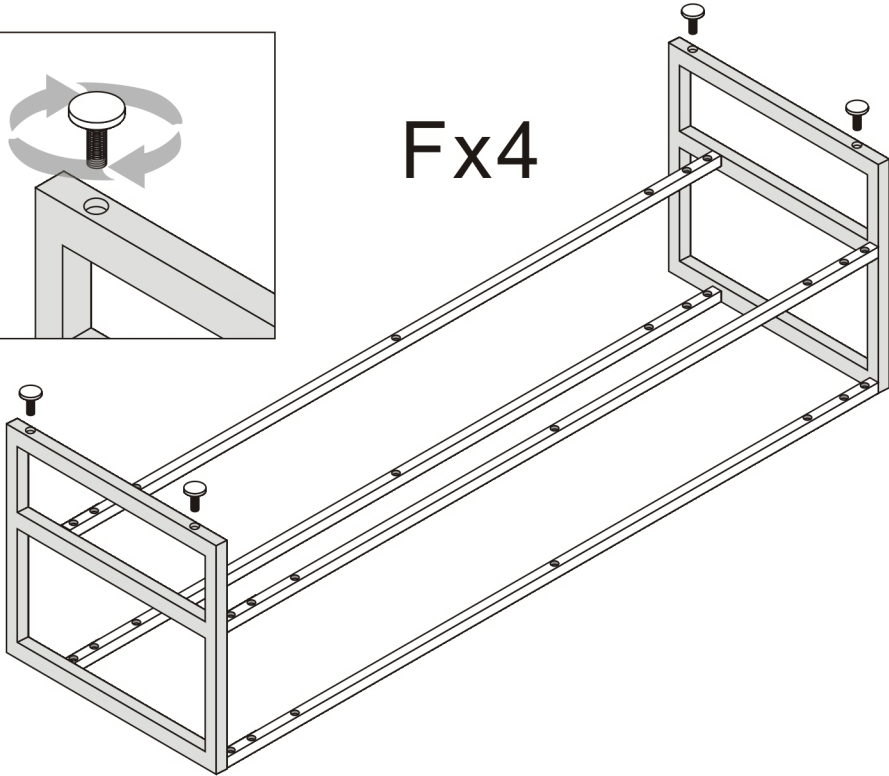
Gx16

G	16PCS
	
6*15mm	

19



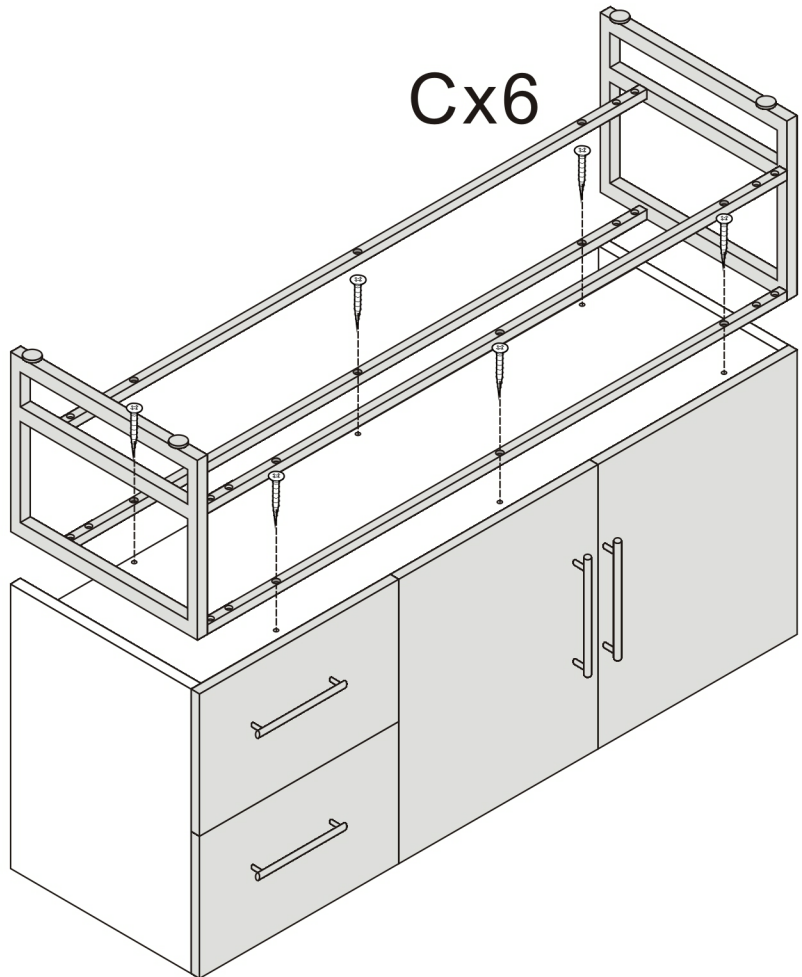
Fx4



<b>F</b>	4PCS
6mm	

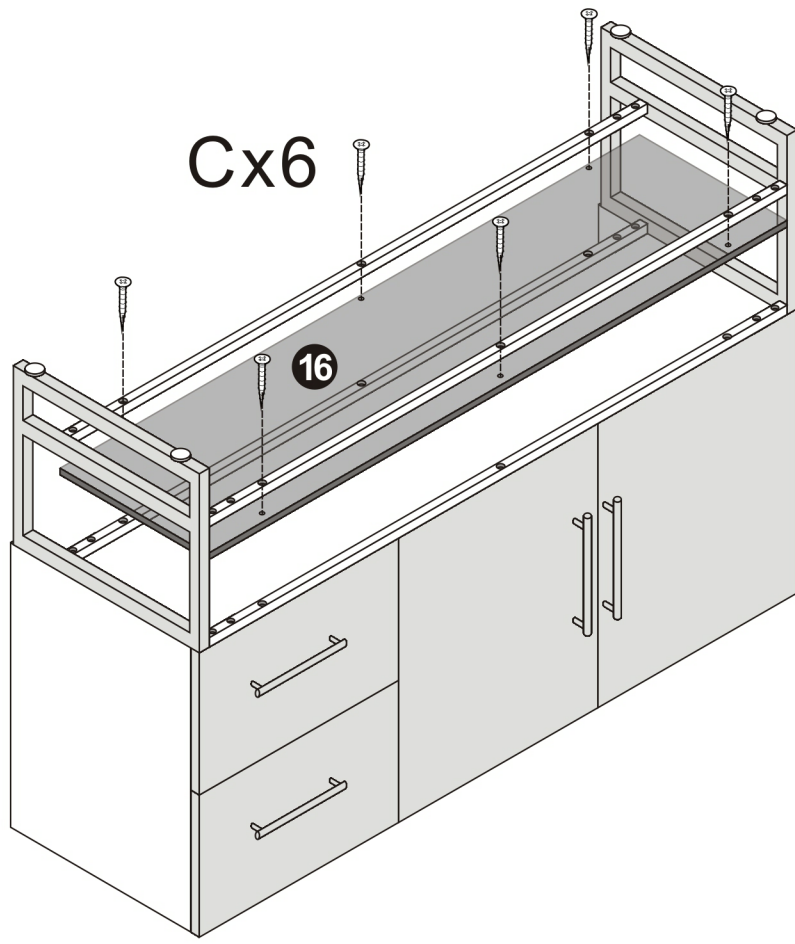
20

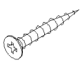
Cx6



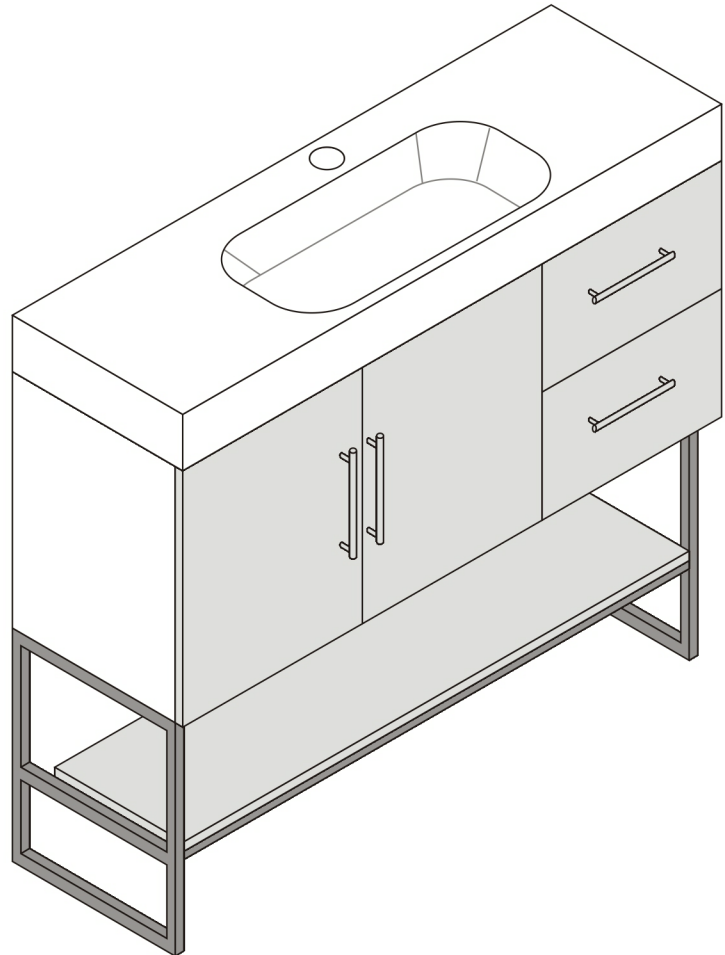
<b>C</b>	6PCS
3.5*14mm	

21



C	6PCS
	
3.5*14mm	

22



OK