

# ASSEMBLY INSTRUCTIONS

## TOOLS REQUIRED



**Allen Wrench**

(Included)



**Phillips Screwdriver**

(Not Included)



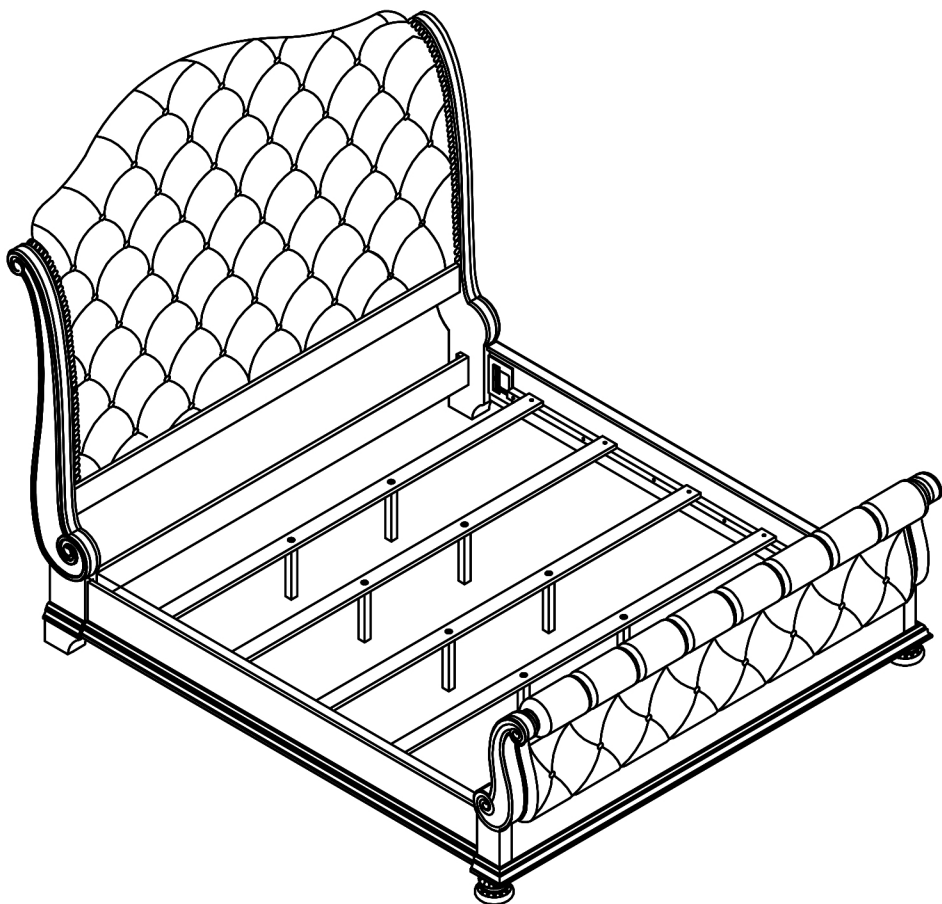
**3 - Persons Recommended**

## ASSEMBLY RATING



EASY —————> DIFFICULT

The Assembly Rating is a 5-point system showing the level of effort needed to assemble a specific product.





## **CHECK BEFORE STARTING**

### **Are you missing anything?**

Double-check all parts, hardware and accessories listed on Page 6 are accounted for.

### **Check out our Quick Tips!**

We recommend reviewing the pre-assembly handouts. Even experts need a refresher now and then!

### **Should we send any replacements?**

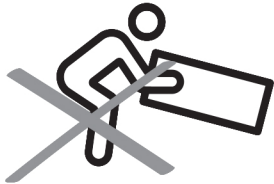
Are there any irregularities or flaws in the parts? We can send replacements!

### **Prep Time!**

Please review the assembly instructions and all diagrams prior to assembling. Arrange parts as recommended on Page 7 and group identical hardware together to make assembling easier.

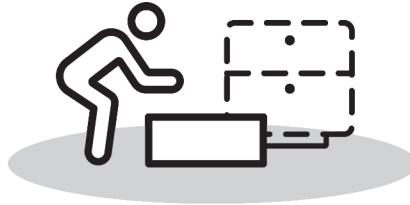
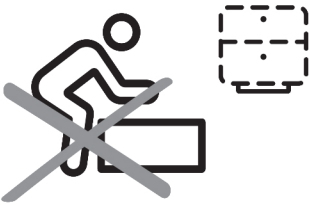
# PRE ASSEMBLY INTRODUCTION

We understand building ready-to-assemble furniture can be a challenging experience for some. To help avoid confusion, we have provided some helpful tips that may speed up the process.



## Teamwork

ALWAYS have at least two people to help with transporting and assembling the product to avoid potential injury and/or damage.



## Suitable Location

Assembling near the area of the intended location is highly recommended.



## Sufficient Space

Make sure you have enough space to move around during the assembly.



## Avoid Scratches

Use cardboard, blankets or a carpeted area while assembling furniture to prevent scratches.



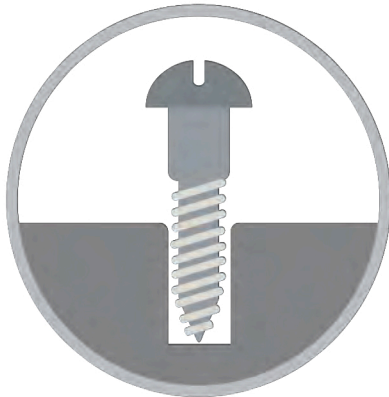
## Flat Surface

Make sure the furniture rests on a flat and level surface with each leg evenly touching the floor.

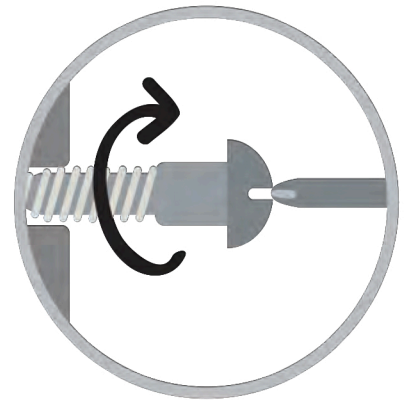
# ASSEMBLY AND CARE ADVICE



**FAILURE TO FOLLOW THE GUIDELINES BELOW MAY RESULT IN INJURY AND/OR PROPERTY DAMAGE.**



Position each part correctly and insert screws or bolts into their respective holes.



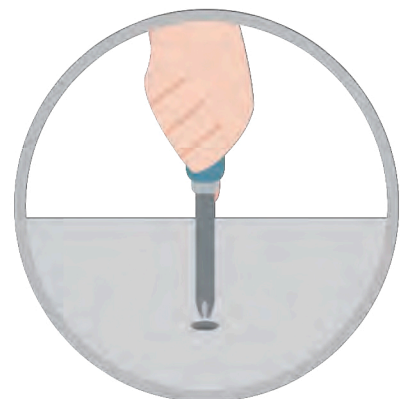
Turn clockwise to tighten and only tighten when step is completed or when instructed to do so.



Use the appropriate hand tools or power tools for assembly. Select steps, such as tightening screws and/or bolts, may require hand tools to avoid causing damage during assembly.



Save the instructions and store any supplied tools for later maintenance.



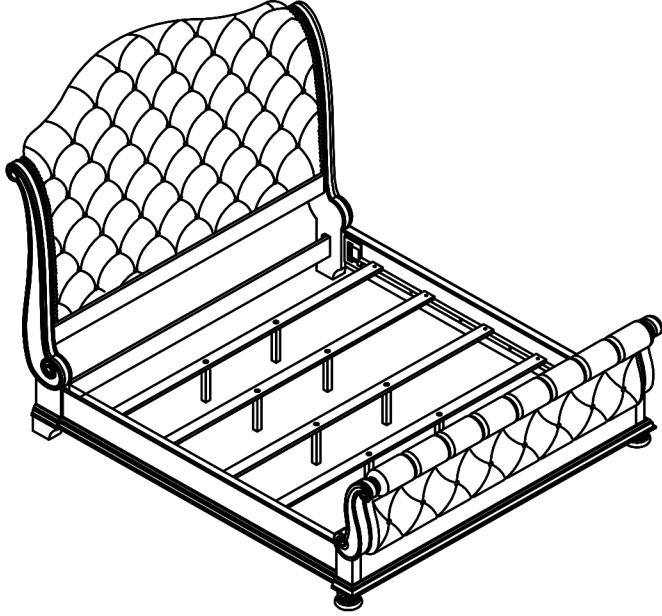
After two weeks, check and tighten any loose hardware and repeat again every six months thereafter.

**IT IS THE USER'S RESPONSIBILITY TO MAINTAIN THE FURNITURE. THE HARDWARE MAY LOOSEN OVER TIME AND MAY CAUSE THE FURNITURE TO BE WOBBLY AND UNABLE TO SUPPORT ITS INTENDED WEIGHT CAPACITY. THIS MAY LEAD TO COLLAPSE AND MAY CAUSE SERIOUS INJURY.**




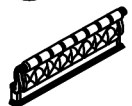


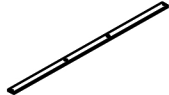
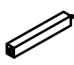

# CALIFORNIA KING




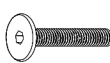

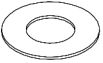





- Please keep instructions for future reference.
- Check the quantity and irregularity of parts and hardware before you start.



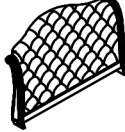





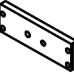


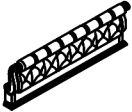





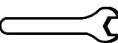





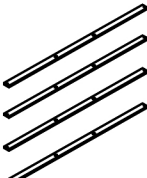
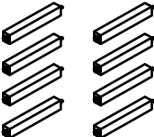
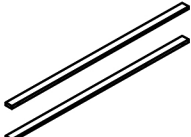
## PARTS

- |   |  |   |  |  |
|---|--|---|--|--|
| #1 1pc<br><br>Headboard      | #2 2pcs<br><br>H/Board Leg (R/ L) | #3 1pc<br><br>H/Board Leg Rail | #4 1pc<br><br>Footboard                      |  |
| #5 2pcs<br><br>F/Board Leg | #6 2pcs<br><br>Side Rail        | #7 4pcs<br><br>Slat          | #8 8pcs<br><br>Support Leg<br>235*30*30mm | #9 2pcs<br><br>Support Rail |

## HARDWARE

- |   |   |  |   |                                |  |  |                            |
|---|---|--|---|--------------------------------|--|--|----------------------------|
| #A 4pcs<br><br>Bolt Ø5/16" x 1-3/4" | #B 14pcs<br><br>Bolt Ø5/16" x 1-1/2" | #C 18pcs<br><br>Lock washer Ø5/16"                            | #D 18pcs<br><br>Flat washer Ø5/16"                   | #E 1pc<br><br>Allen wrench 5mm | #F 8pcs<br><br>Threaded Stud Ø5/16"x3-1/2" | #G 8pcs<br><br>Hex Nut Ø5/16" | #H 1pc<br><br>Wrench Ø12mm |
| #I 8pcs<br><br>Screw #8 x 1-3/16"                     | #J 2pcs<br><br>Bass   | #K 2pcs<br><br>Threaded Stud Ø5/16"x 2-3/4" | #L 8pcs<br><br>Bolt Ø1/4" x 2-1/2" | #M 1pc<br><br>Allen wrench 4mm |  |  |                            |

# packed in 3 cases

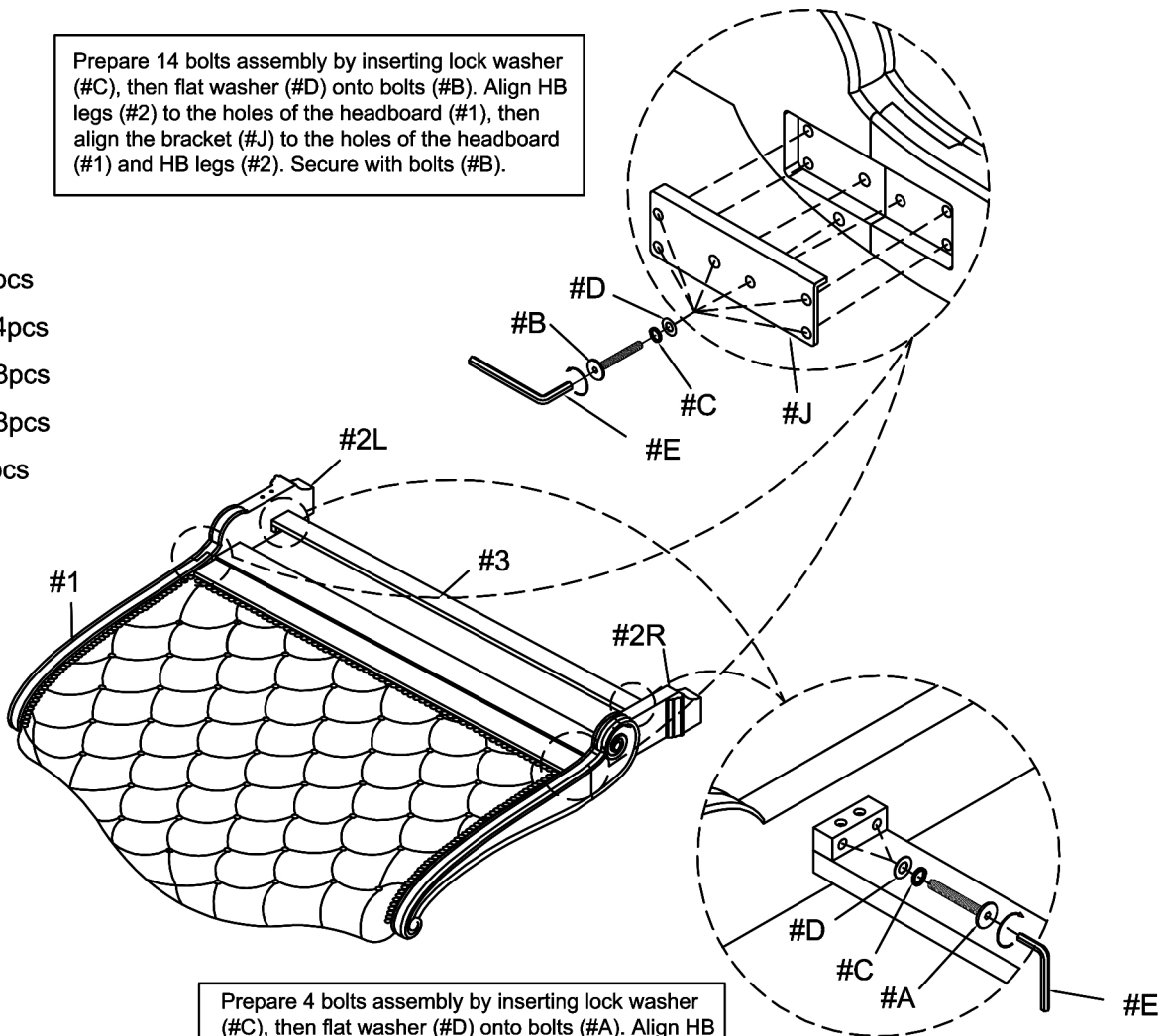
Carton	Disignation		Part	Hardware
	Headboard	#1		 #A 4pcs  #B 14pcs  #C 18pcs  #D 18pcs  #E 1pc  #J 2pcs
	H/Board Leg (R/ L)	#2		
	H/Board Leg Rail	#3		
	Footboard	#4		 #K 2pcs
	F/Board Leg	#5		
	Side Rail	#6		 #F 8pcs  #G 8pcs  #H 1pc  #I 8pcs  #L 8pcs  #M 8pcs  #N 8pcs  #O 1pc
	Slat	#7		
	Support Leg 235*30*30mm	#8		
	Support Rail	#9		

# ASSEMBLY INSTRUCTIONS

## 1

- Part #1 x1pc
- Part #2 x2pcs
- Part #3 x1pc
- Hardware #A x4pcs
- Hardware #B x14pcs
- Hardware #C x18pcs
- Hardware #D x18pcs
- Hardware #J x2pcs

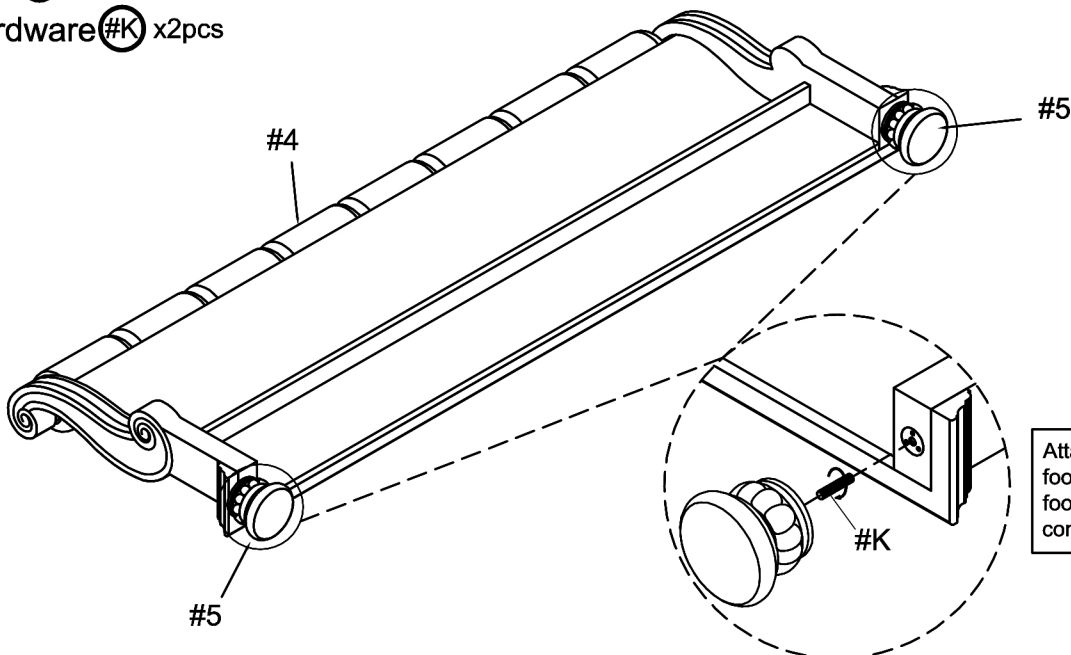
Prepare 14 bolts assembly by inserting lock washer (#C), then flat washer (#D) onto bolts (#B). Align HB legs (#2) to the holes of the headboard (#1), then align the bracket (#J) to the holes of the headboard (#1) and HB legs (#2). Secure with bolts (#B).



Prepare 4 bolts assembly by inserting lock washer (#C), then flat washer (#D) onto bolts (#A). Align HB leg rail (#3) to the holes in-between the HB legs (#2). Secure with bolts (#A).

## 2

- Part #4 x1pc
- Part #5 x2pcs
- Hardware #K x2pcs



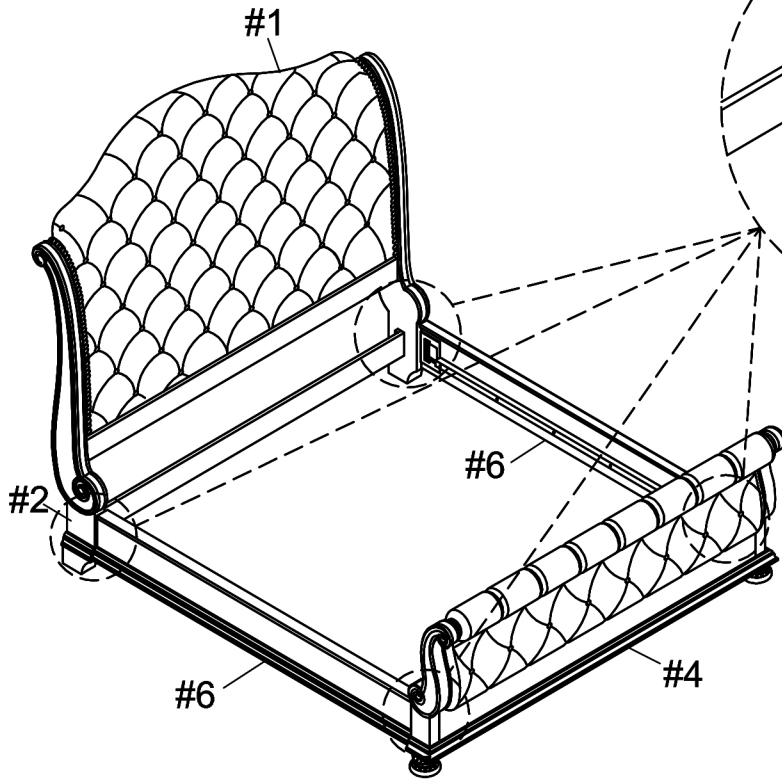
Attach threaded studs (#K) onto the footboard (#4), then attach the bun foot (#5) to the threaded studs (#K) connected to the footboard (#4).

# ASSEMBLY INSTRUCTIONS

## 3

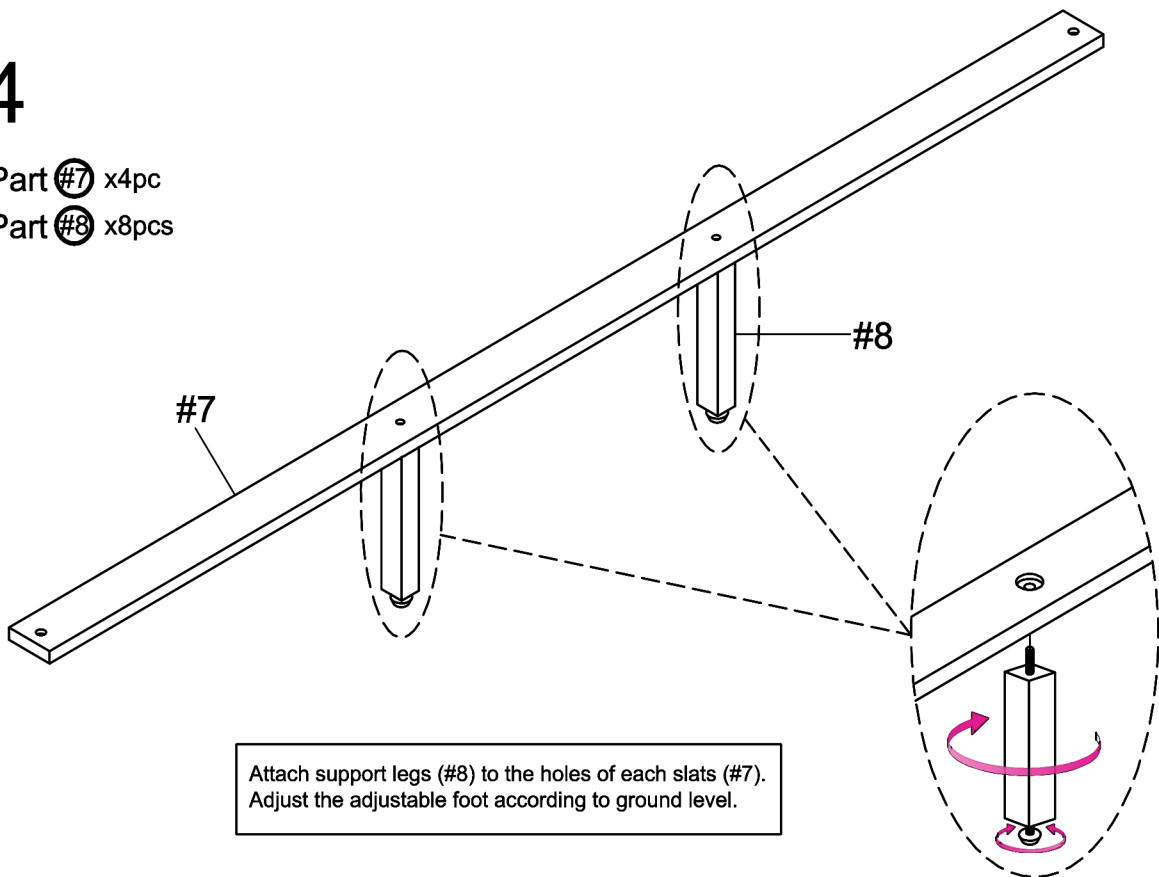
Attach threaded stud (#F) to the holes of the headboard (#1) and footboard (#4). Align the side rails (#6) to the holes/threaded studs (#F) of the headboard (#1) and footboard (#4). Secure with hex nut (#G) onto threaded studs (#F).

- Part #2 x2pc
- Part #6 x2pcs
- Part #4 x1pc
- Hardware #F x8pcs
- Hardware #G x8pcs
- Hardware #H x1pc



## 4

- Part #7 x4pc
- Part #8 x8pcs



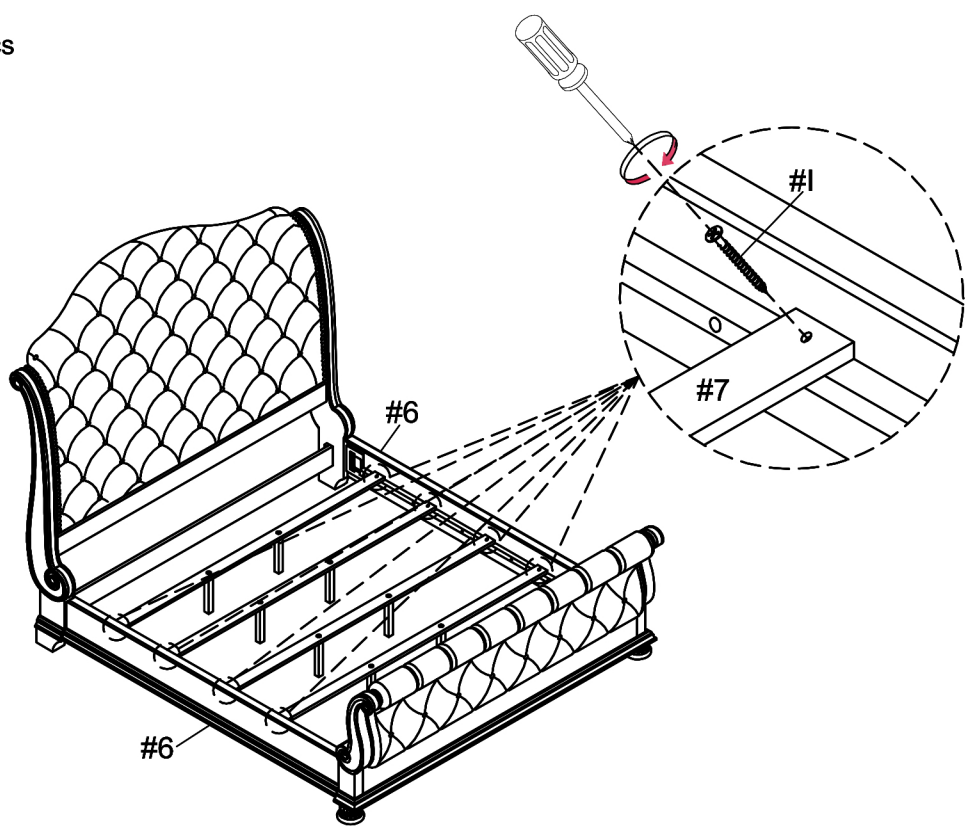
Attach support legs (#8) to the holes of each slats (#7). Adjust the adjustable foot according to ground level.

# ASSEMBLY INSTRUCTIONS

## 5

Hardware **#1** x8pcs

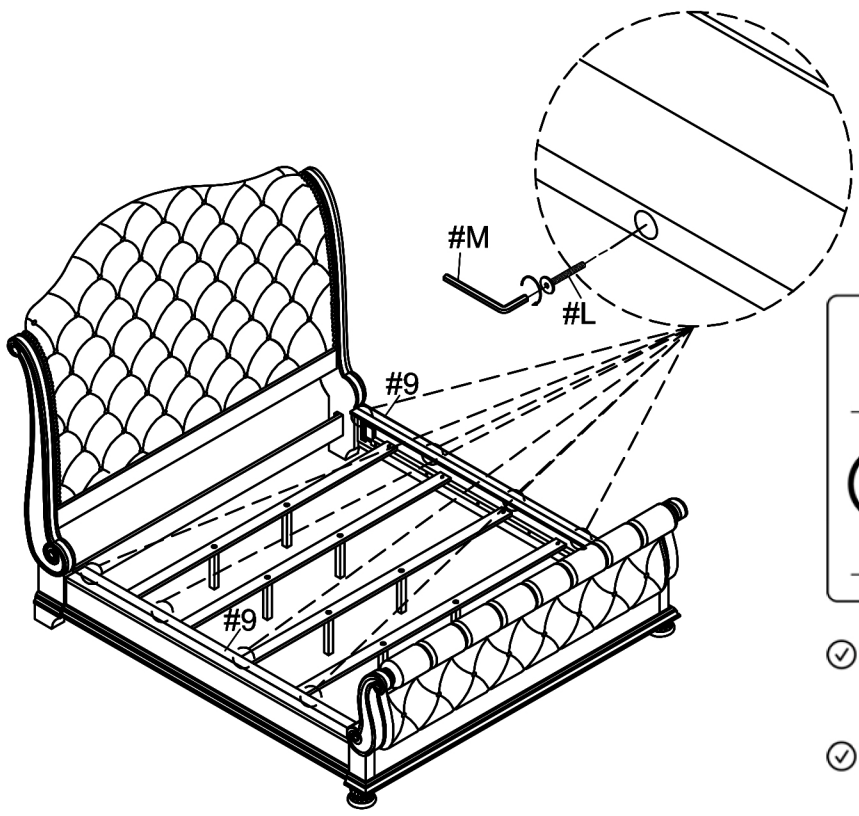
Align slats (#7) to the side rails (#6), then secure with screws (#1).



## 6

Part **#9** x2pcs  
Hardware **#L** x8pcs

Align the Support Rail (#9) to the holes of the Rail (#6). Secure with bolts (#L).



**ASSEMBLY COMPLETED**

✓ Please ensure the furniture rests on an even and flat surface. If the product wobbles or feels loose, double-check all bolts and/or screws are properly tightened and secured.

- ✓ **Keep this handy!**  
Please retain this instruction manual and any order-related information for future reference.
- ✓ **Lift, don't drag!**  
To avoid damage to product please always LIFT the product when transporting of adjusting the placement.