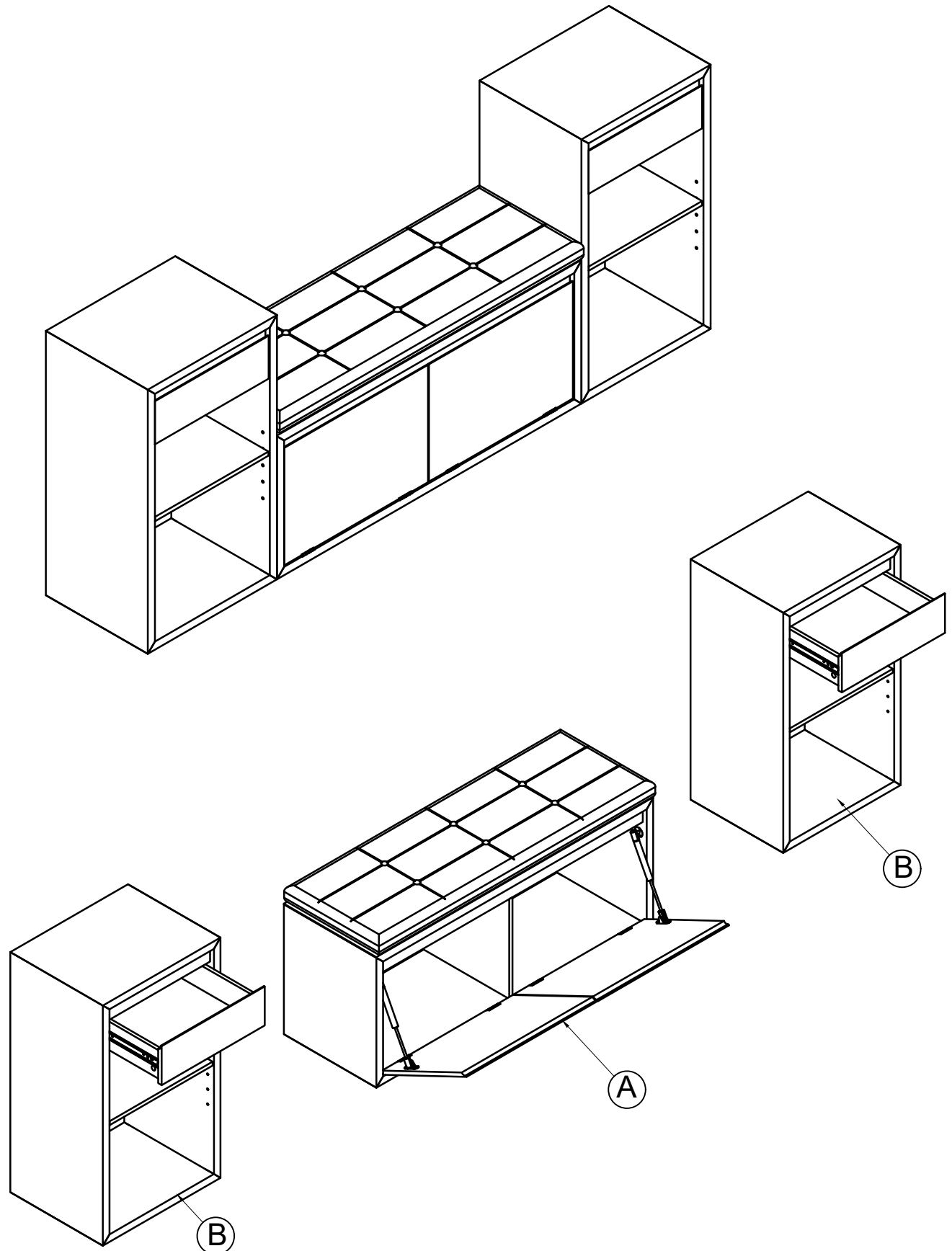


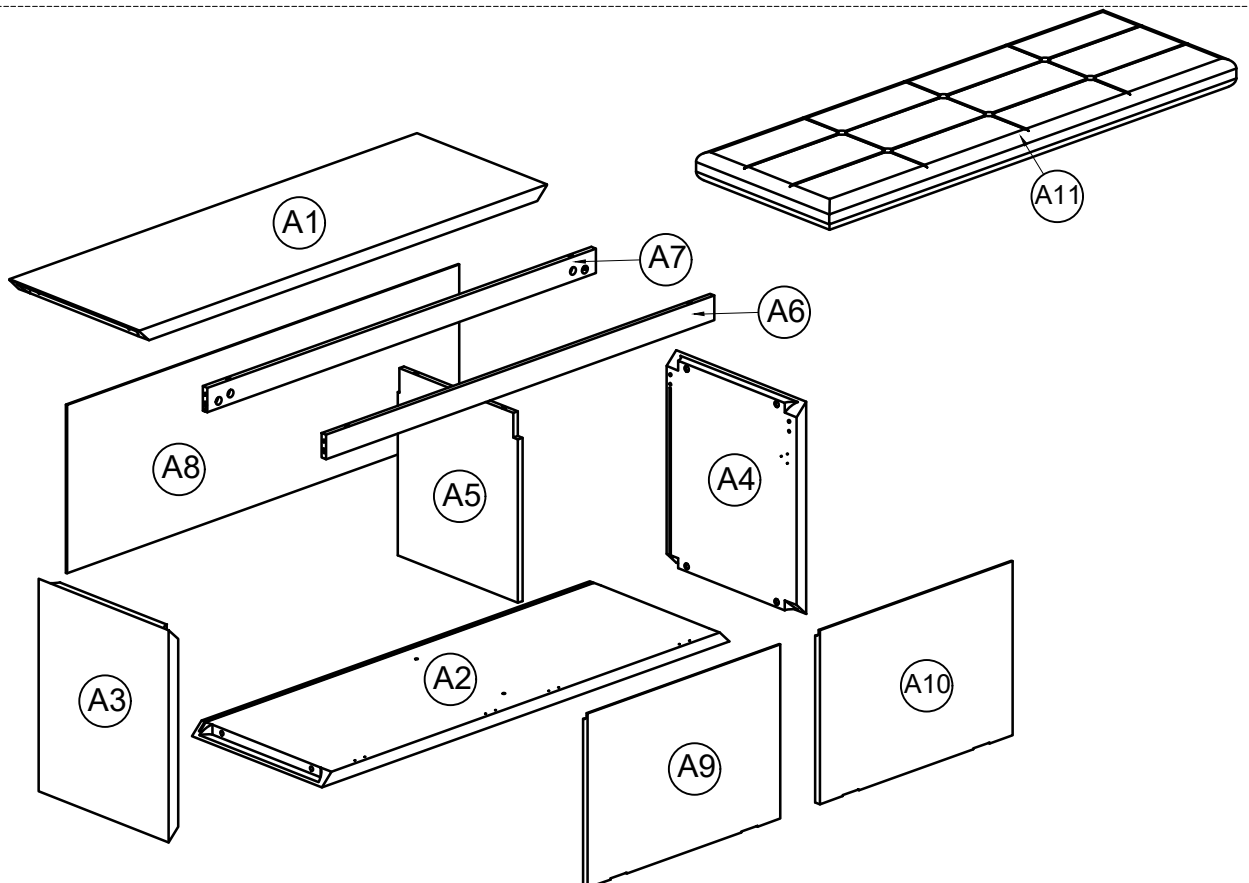
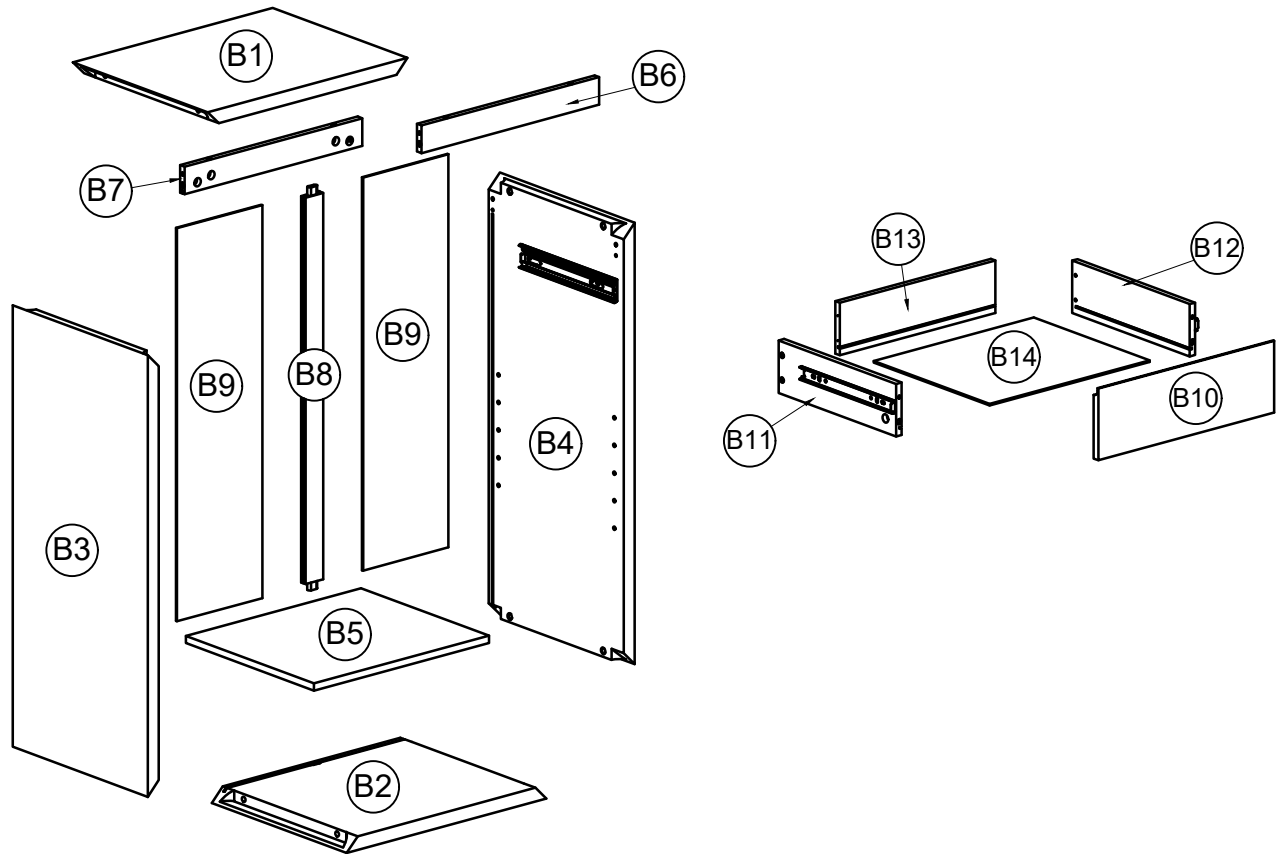
ASSEMBLY INSTRUCTION

SKU NO. : N715P437150
STORAGE BENCH W/ 2 SHELF

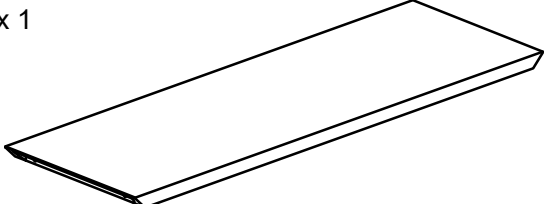
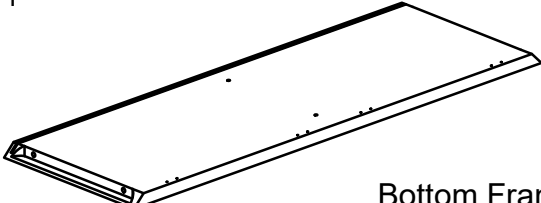
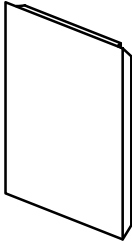
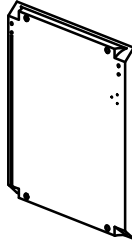
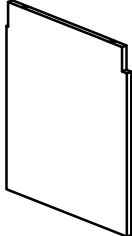
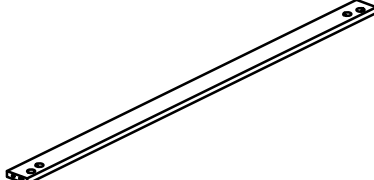
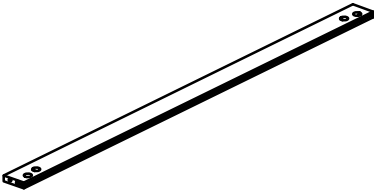
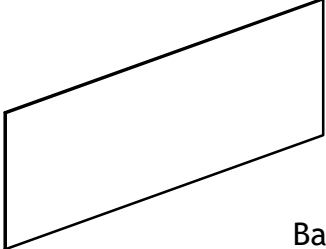
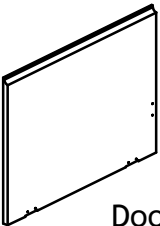
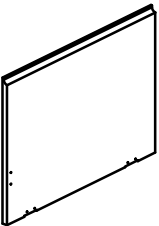
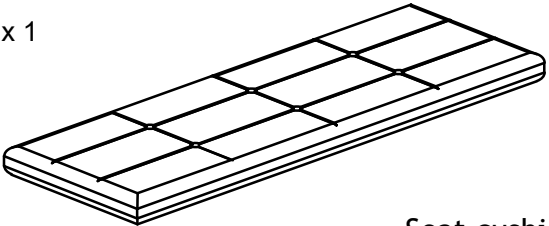


ASSEMBLY INSTRUCTION

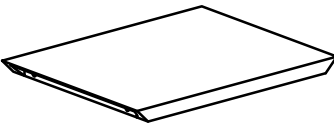
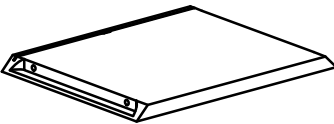
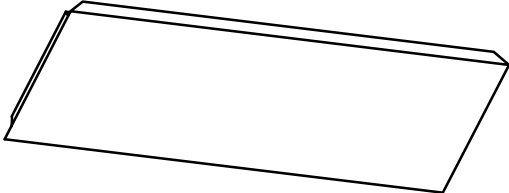
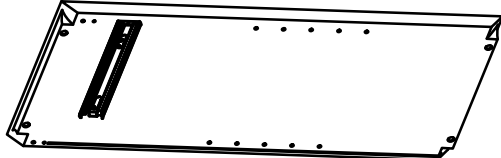
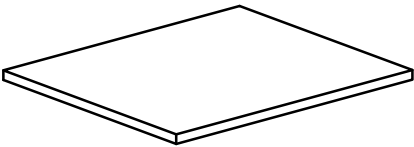
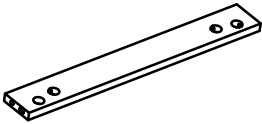
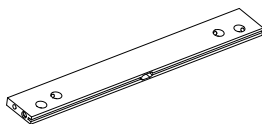

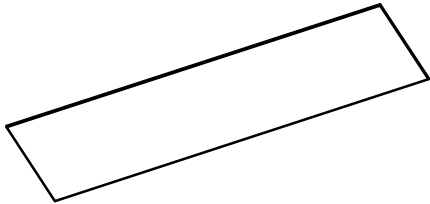
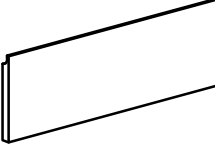
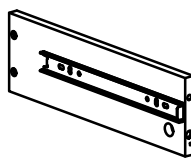
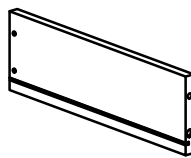
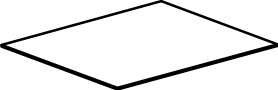
SKU NO. : N715P437150
STORAGE BENCH W/ 2 SHELF




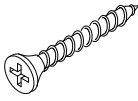
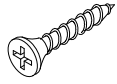
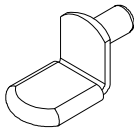
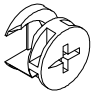
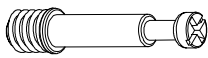
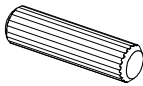
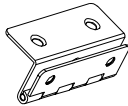
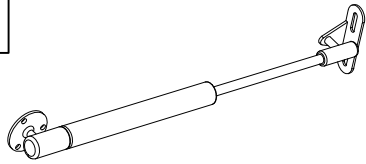
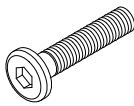
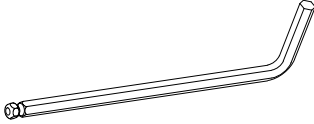
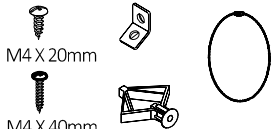
PART LIST- A

<p>(A1) x 1</p>  <p>Top Frame</p>	<p>(A2) x 1</p>  <p>Bottom Frame</p>
<p>(A3) x 1</p>  <p>Side Frame- Left</p>	<p>(A4) x 1</p>  <p>Side Frame- Right</p>
<p>(A5) x 1</p>  <p>Middle Partition</p>	<p>(A6) x 1</p>  <p>Connect Bar- Front</p>
<p>(A7) x 1</p>  <p>Connect Bar- Back</p>	<p>(A8) x 1</p>  <p>Back Panel</p>
<p>(A9) x 1</p>  <p>Door Panel- Left</p>	<p>(A10) x 1</p>  <p>Door Panel- Right</p>
<p>(A11) x 1</p>  <p>Seat cushion</p>	

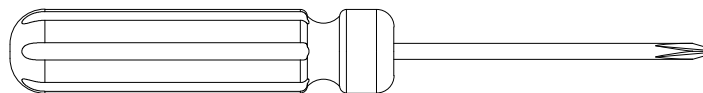
PART LIST- B

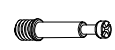
<p>(B1) x 2</p>  <p>Top Frame</p>	<p>(B2) x 2</p>  <p>Bottom Frame</p>
<p>(B3) x 2</p>  <p>Side Frame- Left</p>	<p>(B4) x 2</p>  <p>Side Frame- Right</p>
<p>(B5) x 2</p>  <p>Shelf</p>	<p>(B6) x 2</p>  <p>Connect Bar- Front</p>
<p>(B7) x 2</p>  <p>Connect Bar- Back</p>	<p>(B8) x 2</p>  <p>Middle Vertical Bar- Back</p>
<p>(B9) x 4</p>  <p>Back Panel</p>	<p>(B10) x 2</p>  <p>Front Panel- Drawer</p>
<p>(B11) x 2</p>  <p>Left Side Panel- Drawer</p>	<p>(B12) x 2</p>  <p>Right Side Panel- Drawer</p>
<p>(B13) x 2</p>  <p>Back Panel- Drawer</p>	<p>(B14) x 2</p>  <p>Bottom Panel- Drawer</p>

HARDWARE LIST

<p>A0</p>  <p>Flat Metal 4pcs</p>	<p>B0</p>  <p>M4x25mm Wood Screw 16pcs</p>	<p>C</p>  <p>M3.5x12mm Wood Screw 26pcs</p>
<p>D</p>  <p>Shelf Pin 8pcs</p>	<p>E</p>  <p>Ø15x9mm Cam Head 32pcs</p>	<p>F</p>  <p>Ø6x35mm Cam Bridge 32pcs</p>
<p>G</p>  <p>Ø6 x 30 mm Wood dowel 16pcs</p>	<p>H</p>  <p>Hinge 4pcs</p>	<p>I</p>  <p>Hydraulic Lifting 2pcs</p>
<p>J</p>  <p>M6 x 40 mm Bolt 24pcs</p>	<p>K</p>  <p>Allen key 1pcs</p>	<p>L</p>  <p>M4 X 20mm M4 X 40mm Anti-tip 2 set</p>

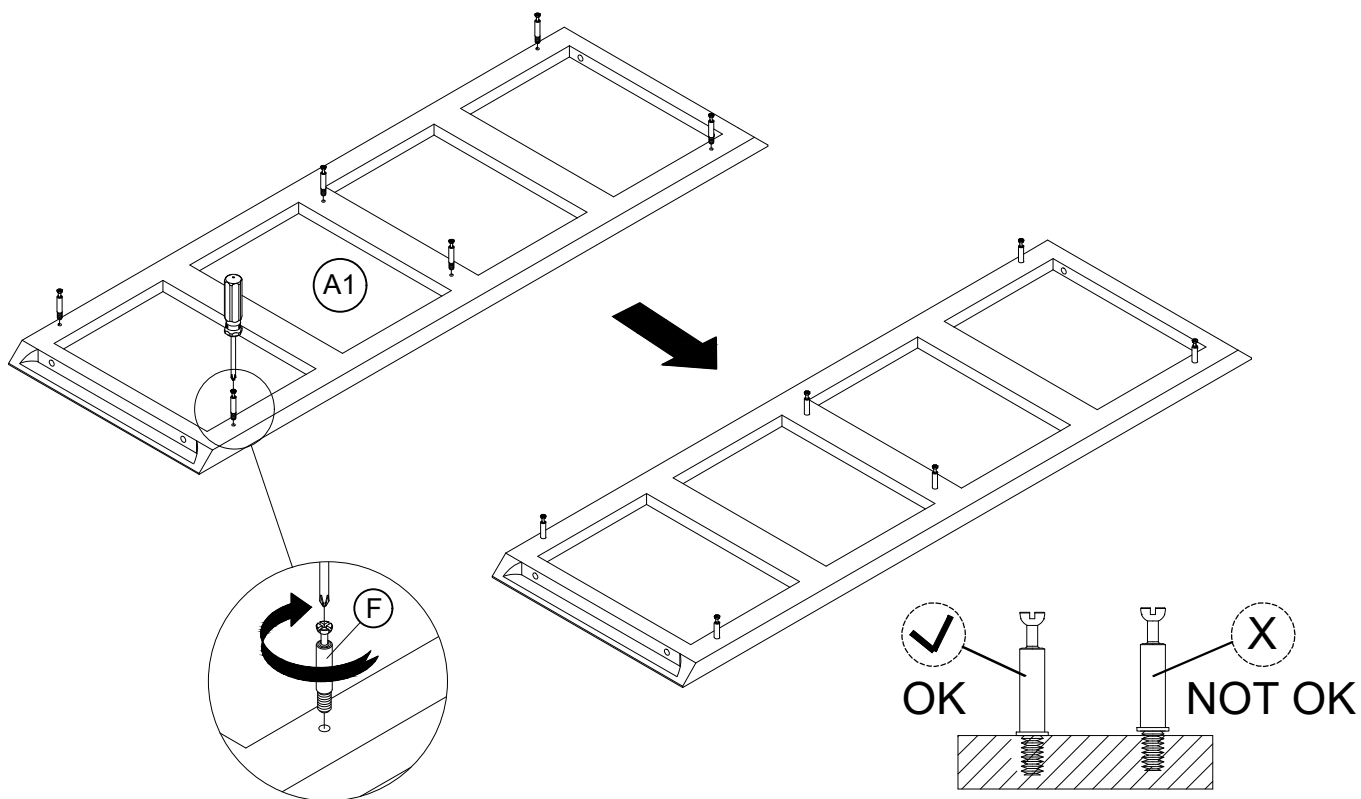
ASSEMBLY TOOLS REQUIRED (NOT INCLUDED)



F**6**

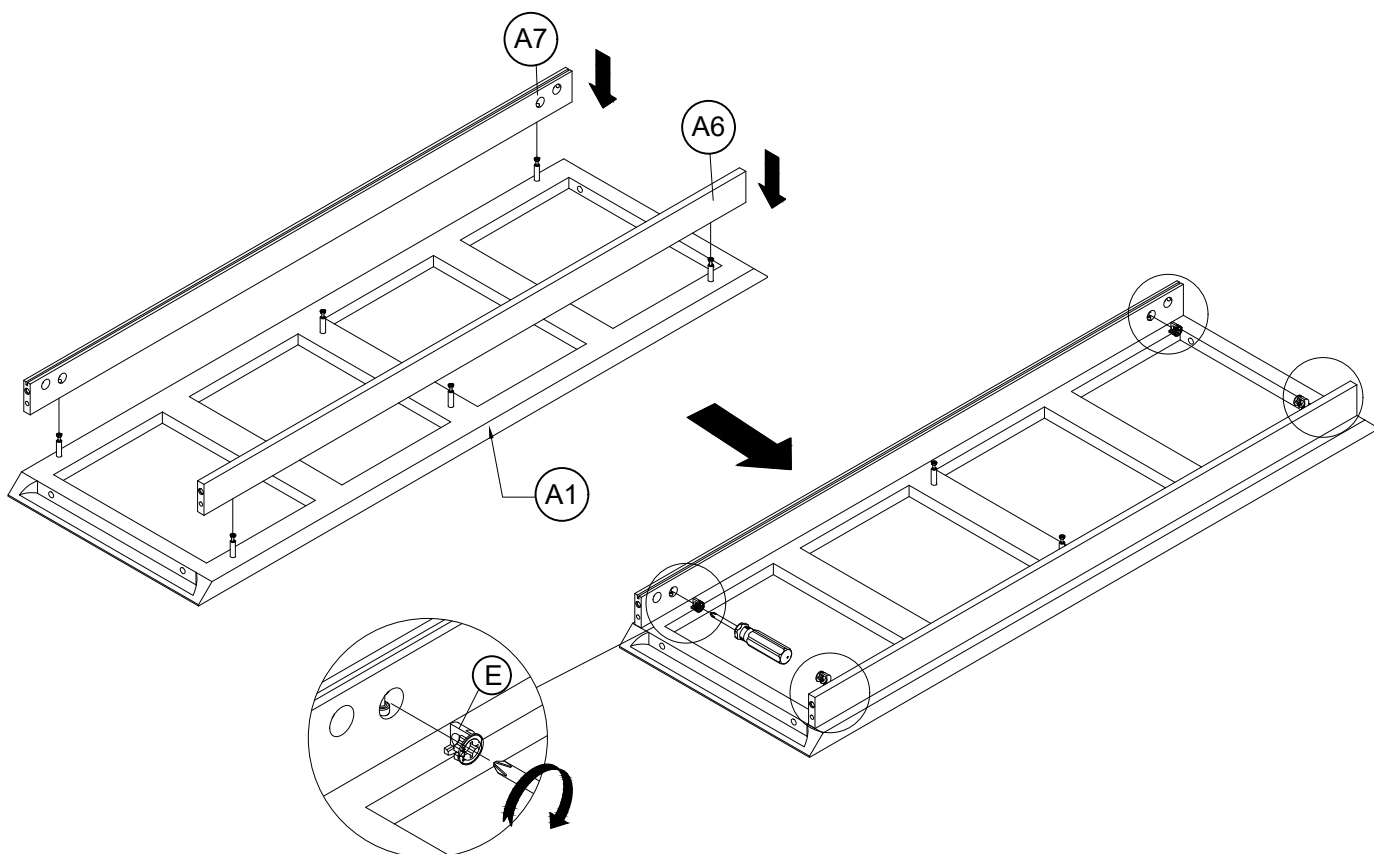
STEP 1: Following below illustration

-Using hardware #F assembly into A1



STEP 2: Following below illustration

-Using hardware #E connect A6, A7 with A1

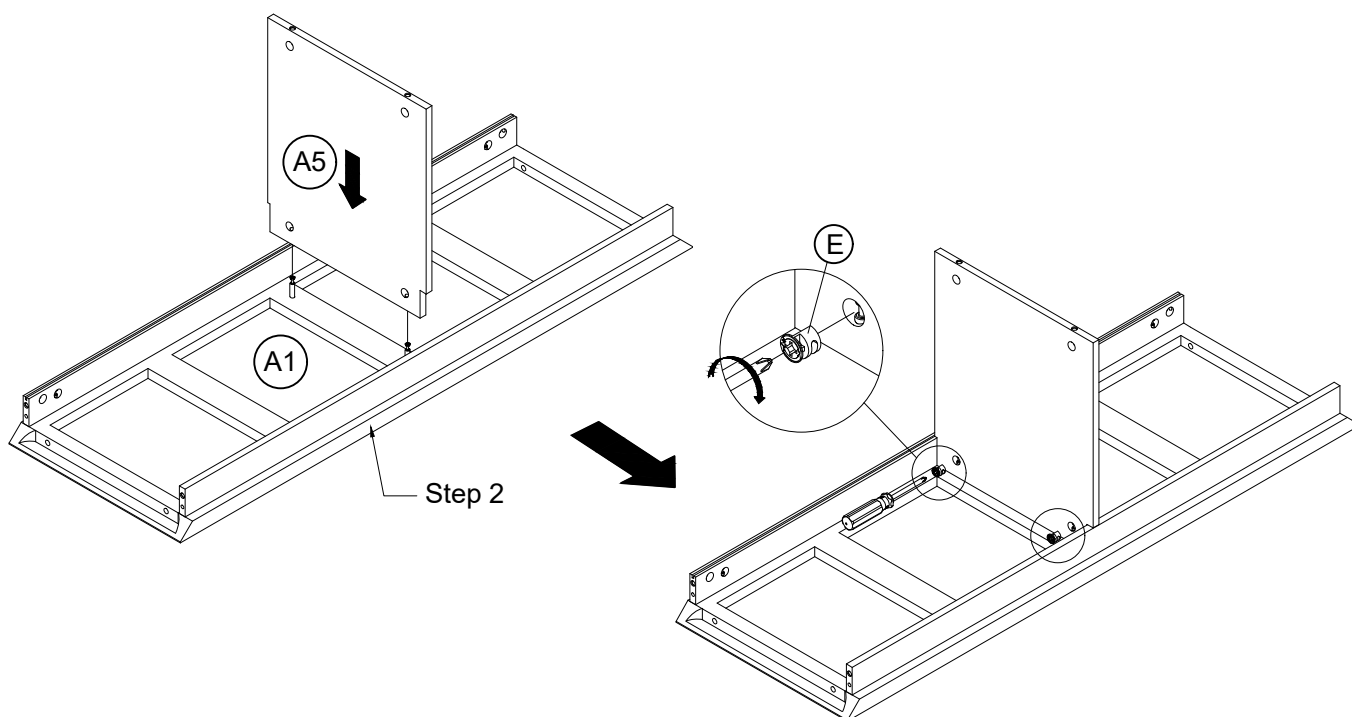
E**4**

E**2**

STEP 3:

Following below illustration

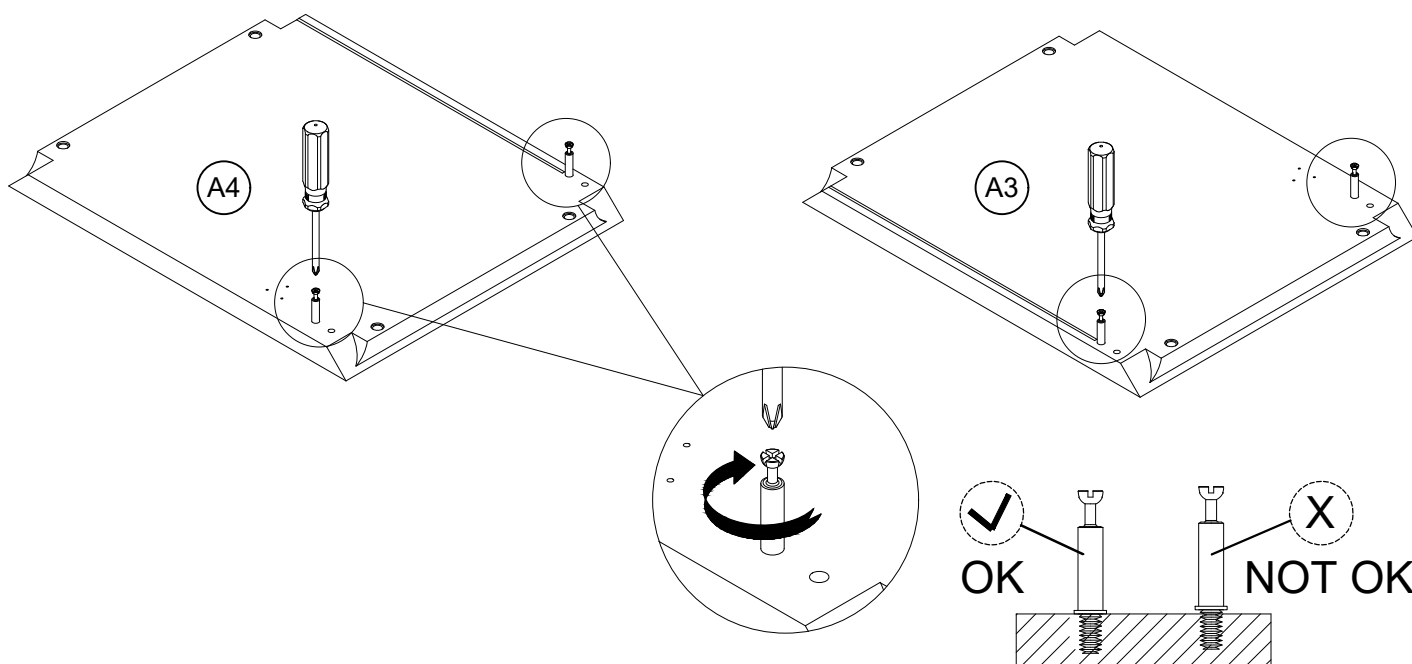
-Using hardware #E connect A5 with A1 assembly step 2



STEP 4:





Following below illustration

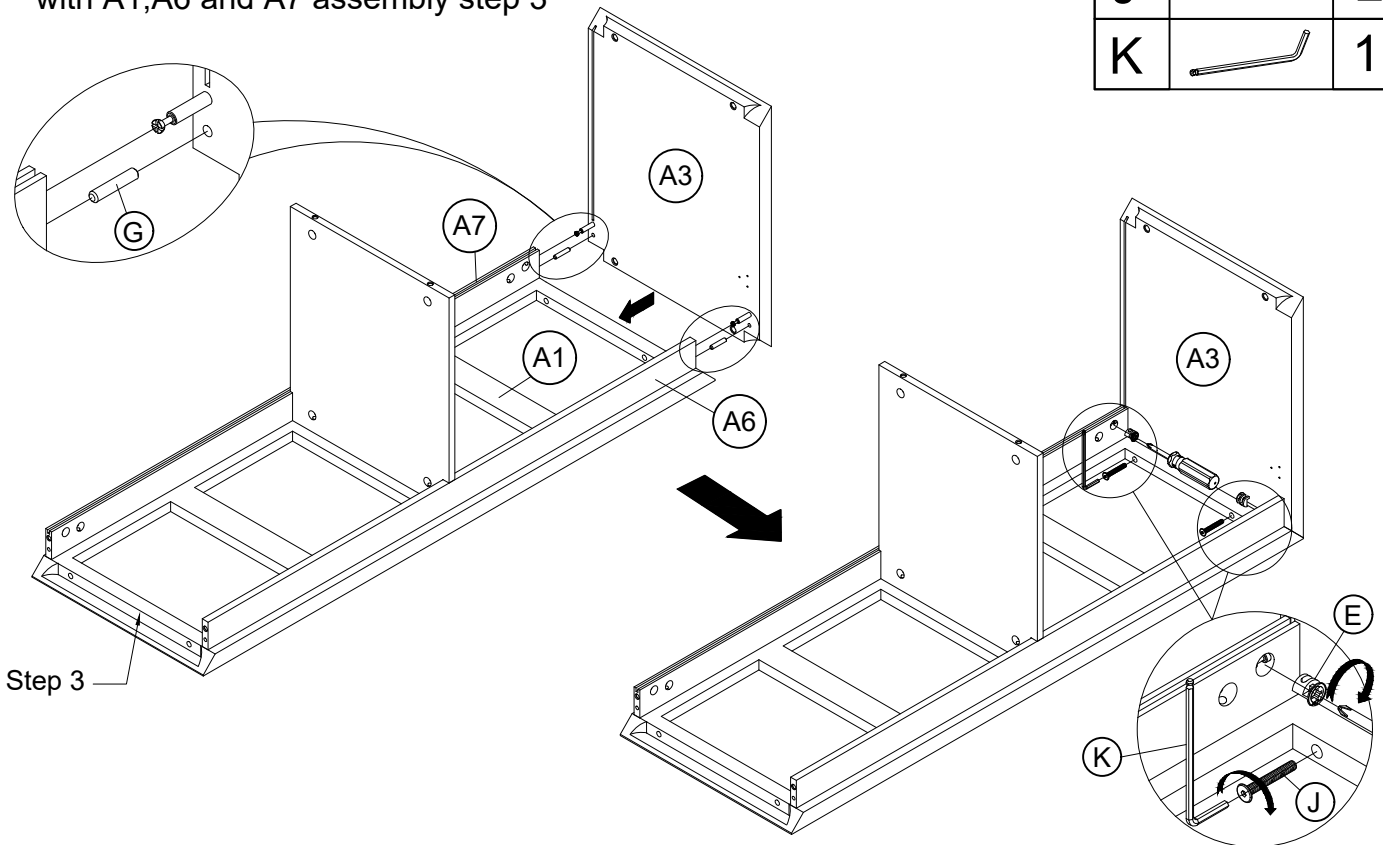
-Using hardware #F assembly into A3, A4

F**4**

STEP 5: Following below illustration





-Using hardware #E, #G and #J connect A3 with A1,A6 and A7 assembly step 3

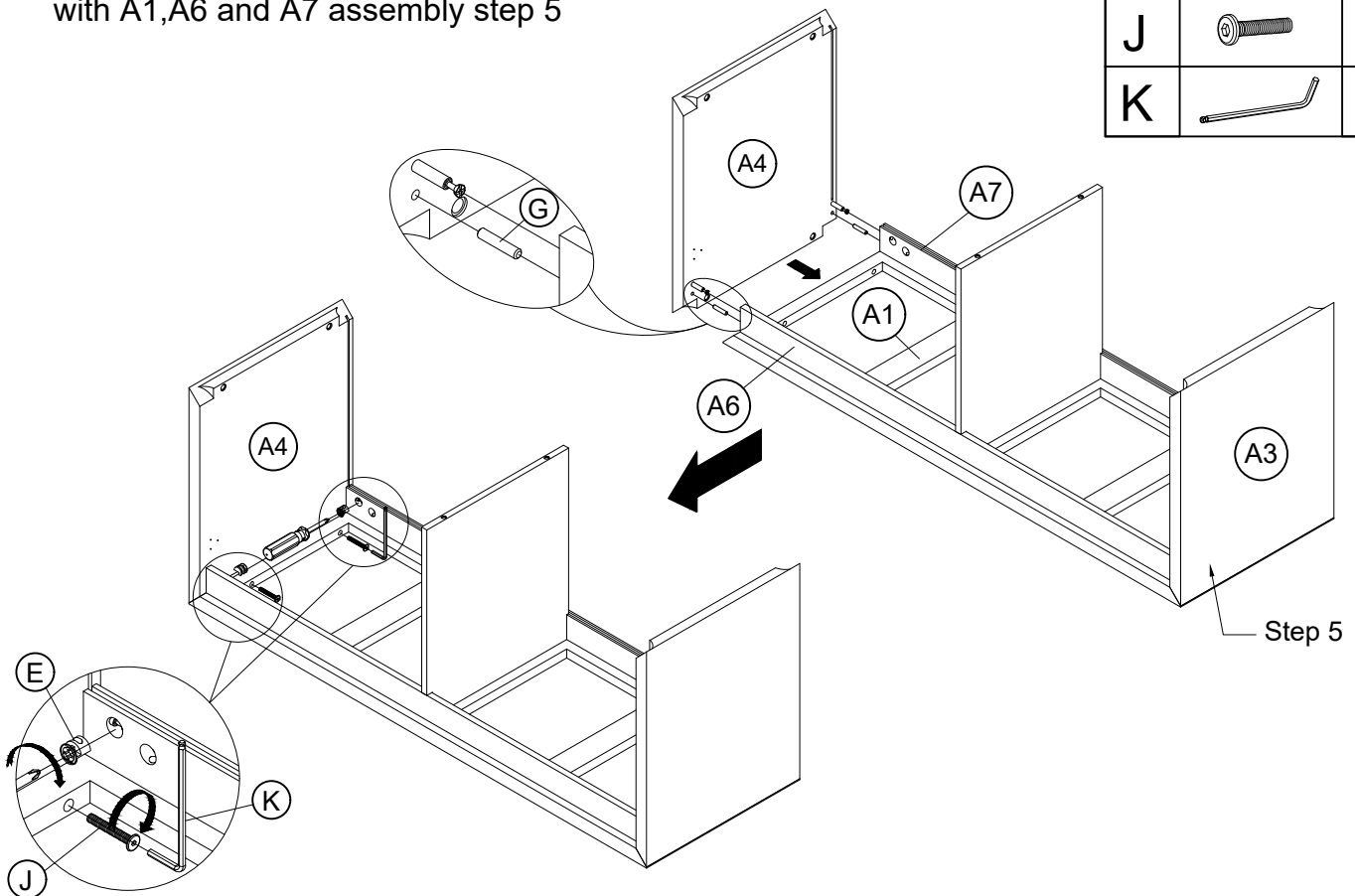
E		2
G		2
J		2
K		1



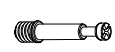
STEP 6: Following below illustration

-Using hardware #E, #G and #J connect A4 with A1,A6 and A7 assembly step 5

E		2
G		2
J		2
K		1



F

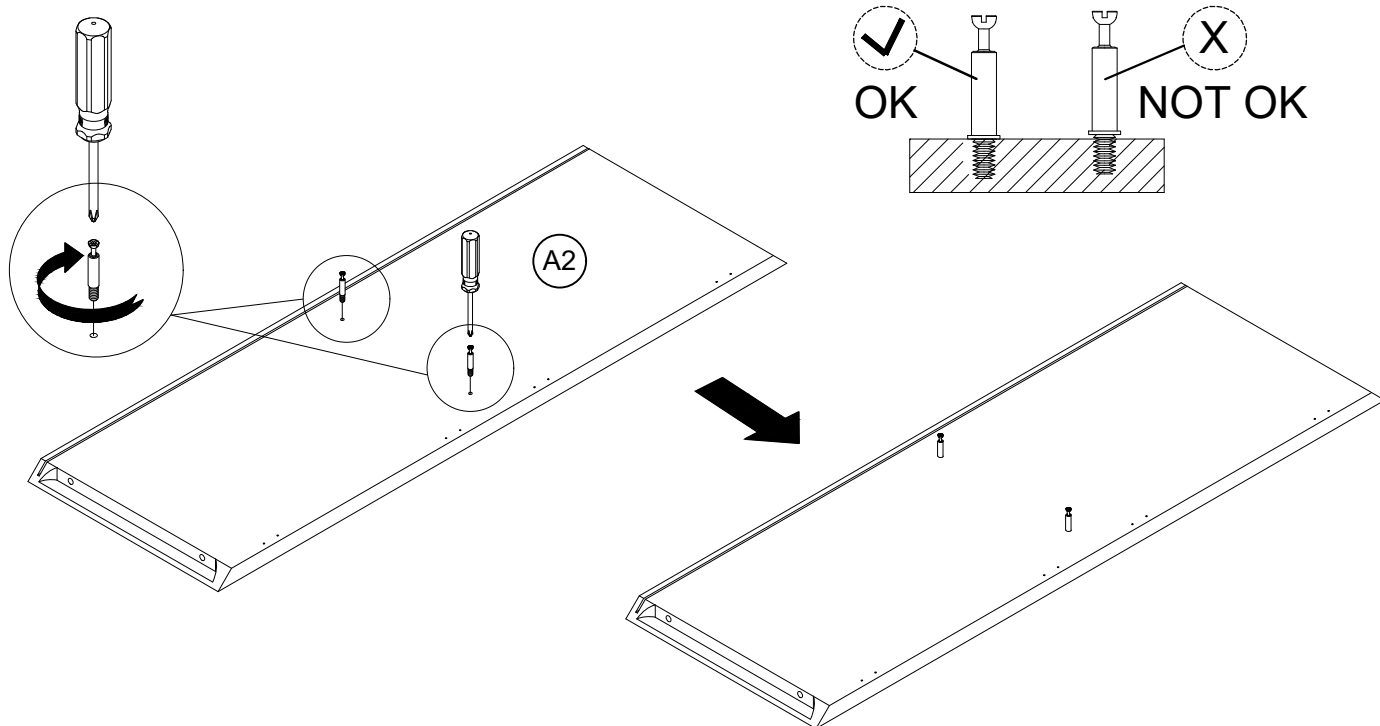


2

STEP 7:

Following below illustration

-Using hardware #F assembly into A2



STEP 8:

Following below illustration

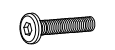
-Using hardware #E, #J connect A2,A8 with A3,A4 and A5 assembly step 6

E



2

J

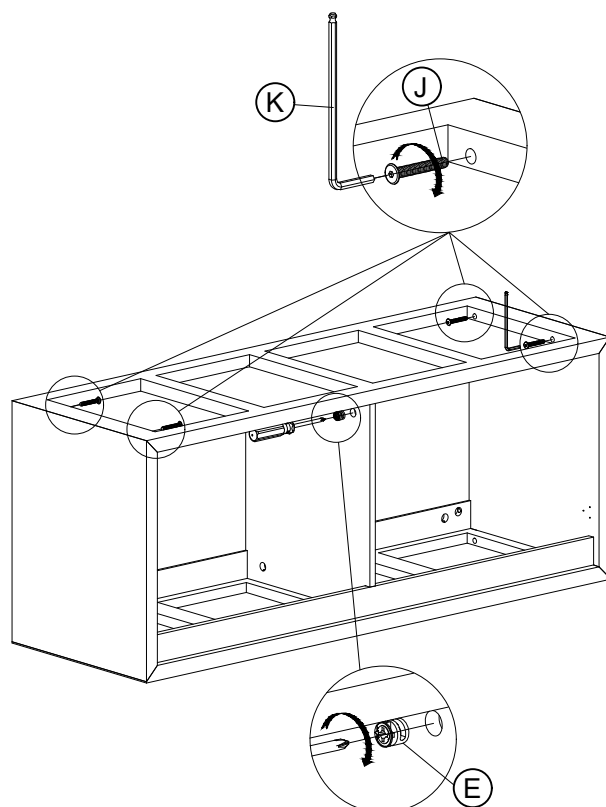
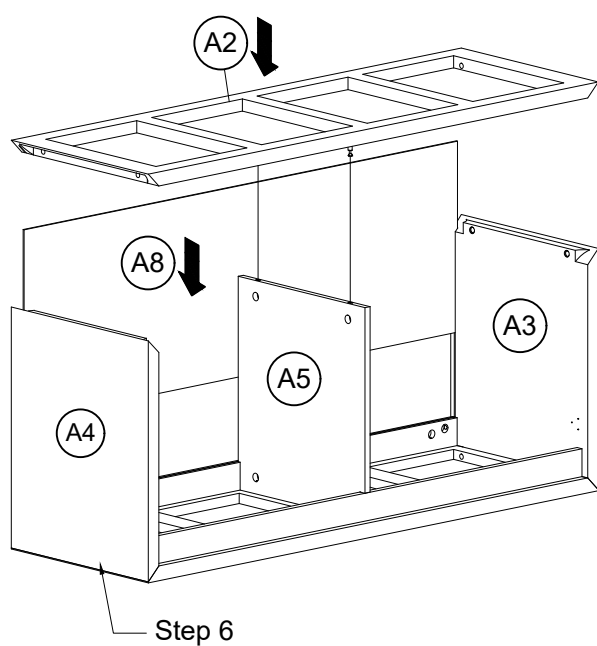


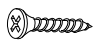

4

K

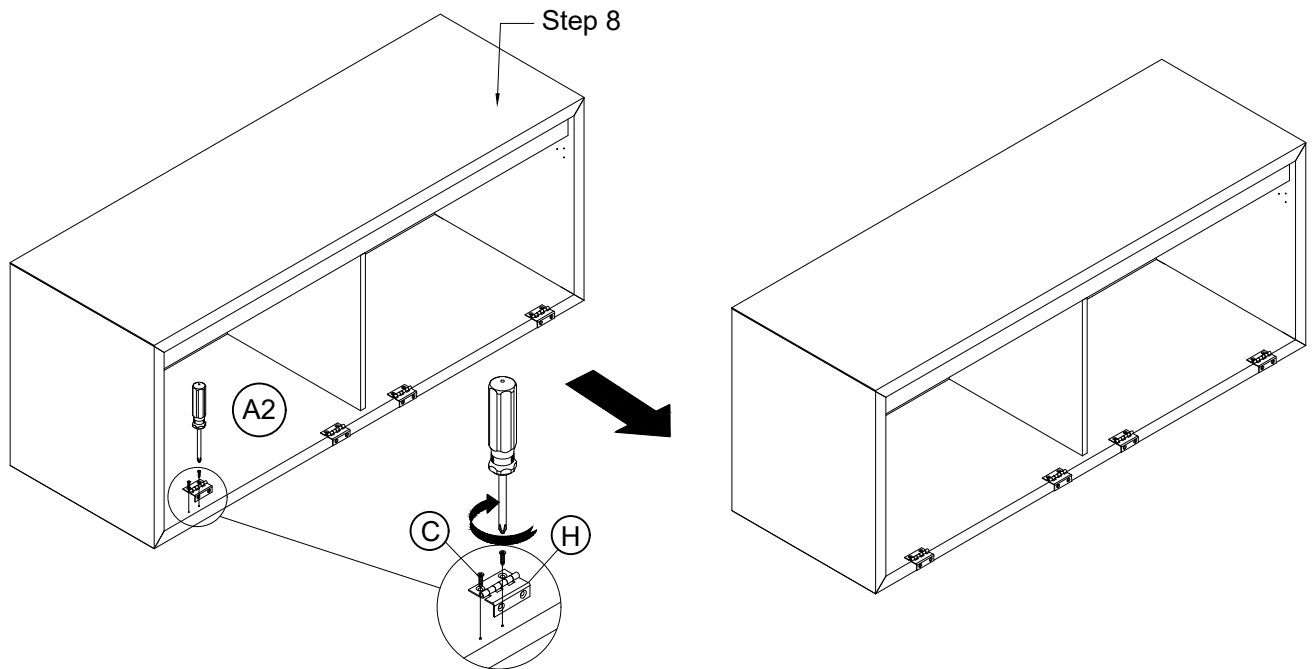


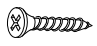
1



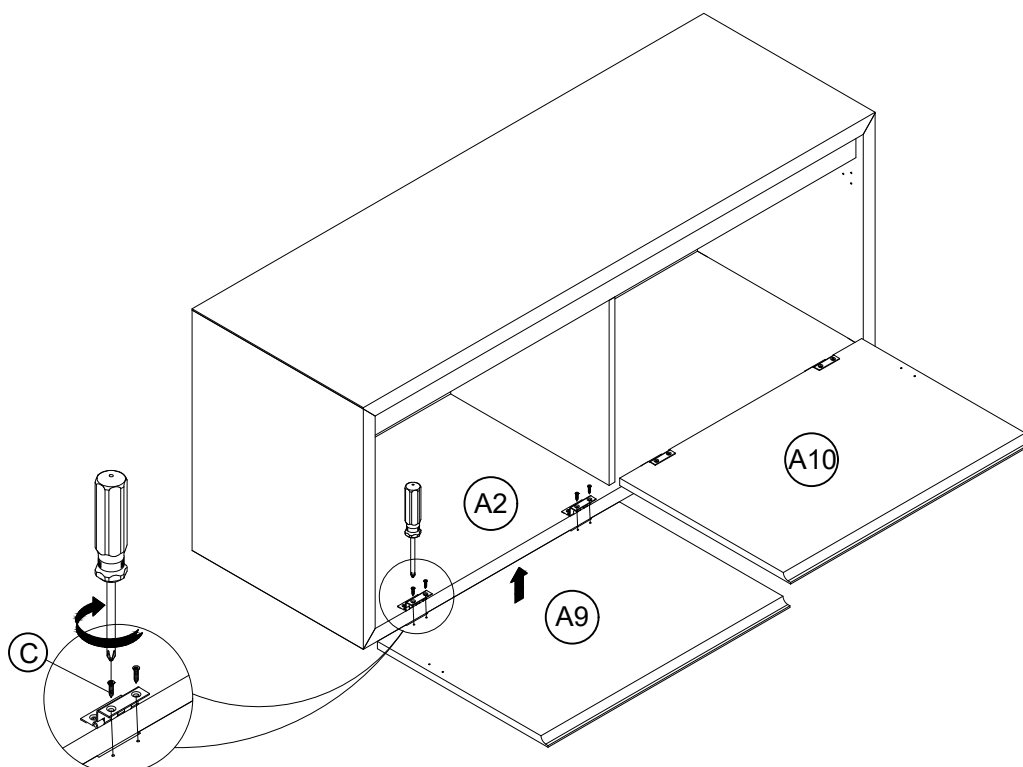
C		8
H		4

STEP 9: Following below illustration
 -Using hardware #C,#H assembly into A2



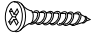
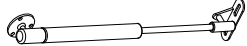
C		8
---	---	---

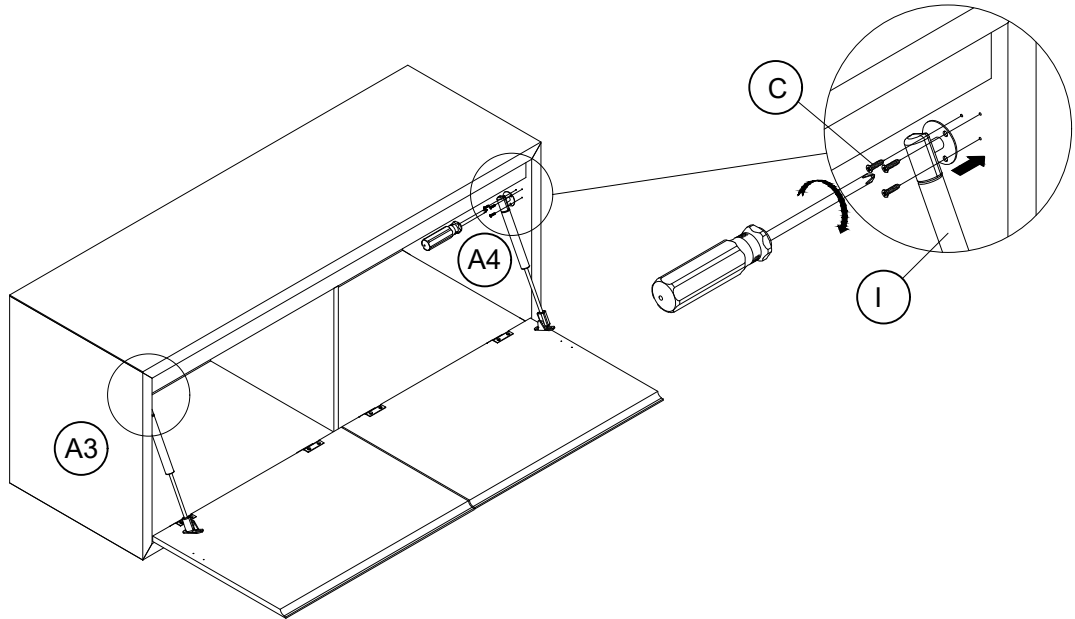
STEP 10: Following below illustration
 -Using hardware #C connect A9, A10 with A2 assembly step 9



STEP 11: Following below illustration

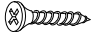
-Using hardware #C,#I assembly into A3, A4

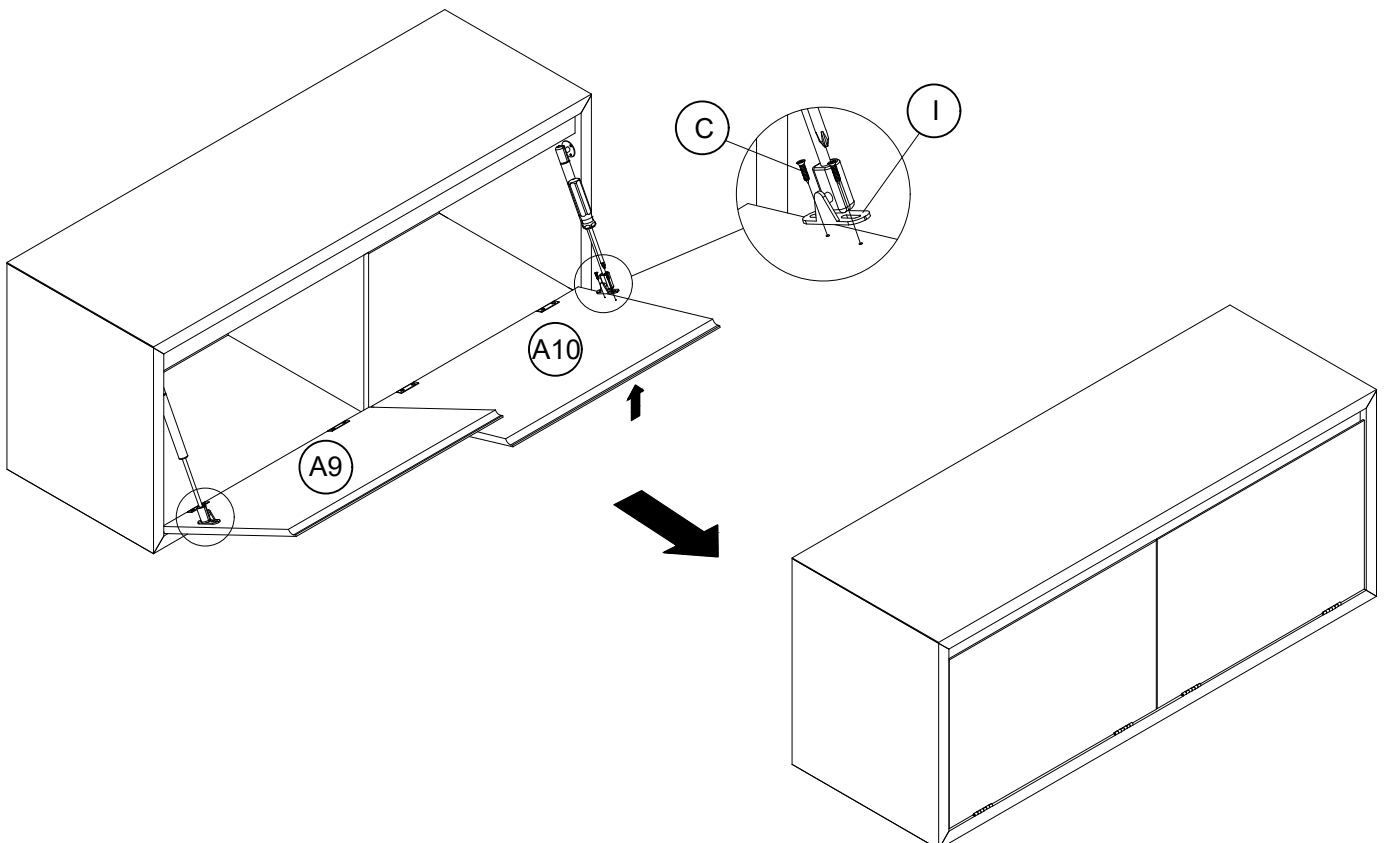
C		6
I		2

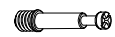


STEP 12: Following below illustration

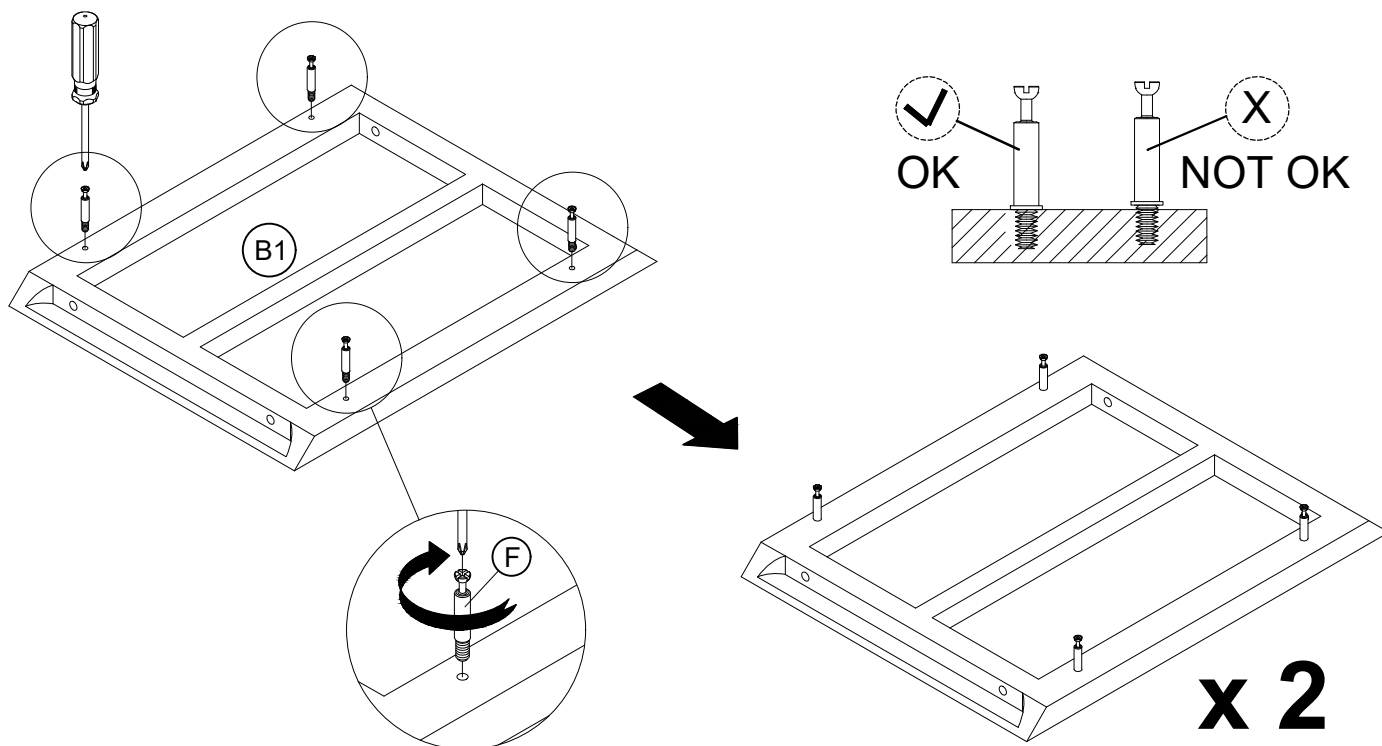
-Using hardware #C,#I connect A9, A10 with A3, A4 assembly step 11

C		4
---	---	---

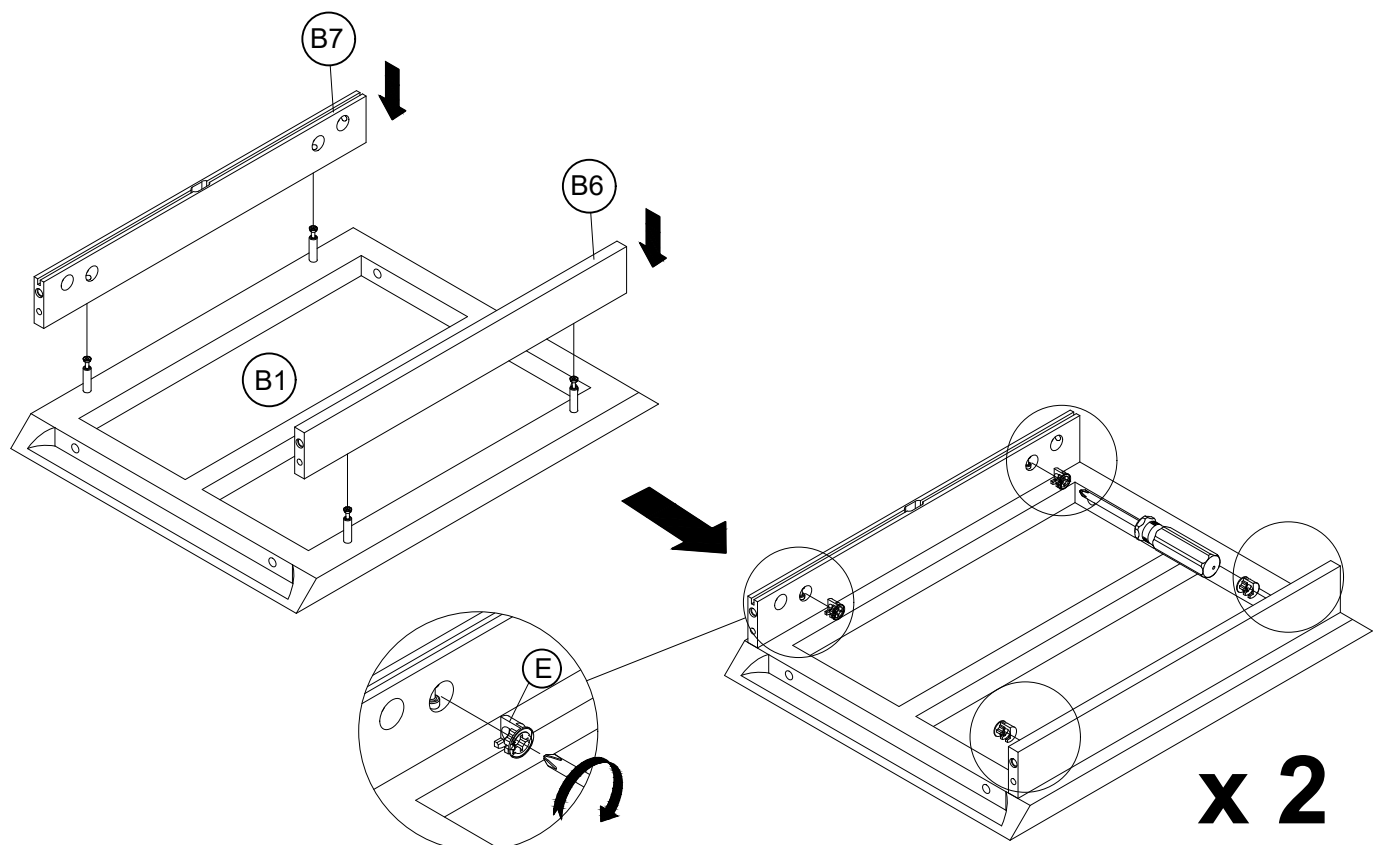


F**8****STEP 13:** Following below illustration

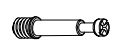
-Using hardware #F assembly into B1

**STEP 14:** Following below illustration

-Using hardware #E connect B6, B7 with B1

E**8**

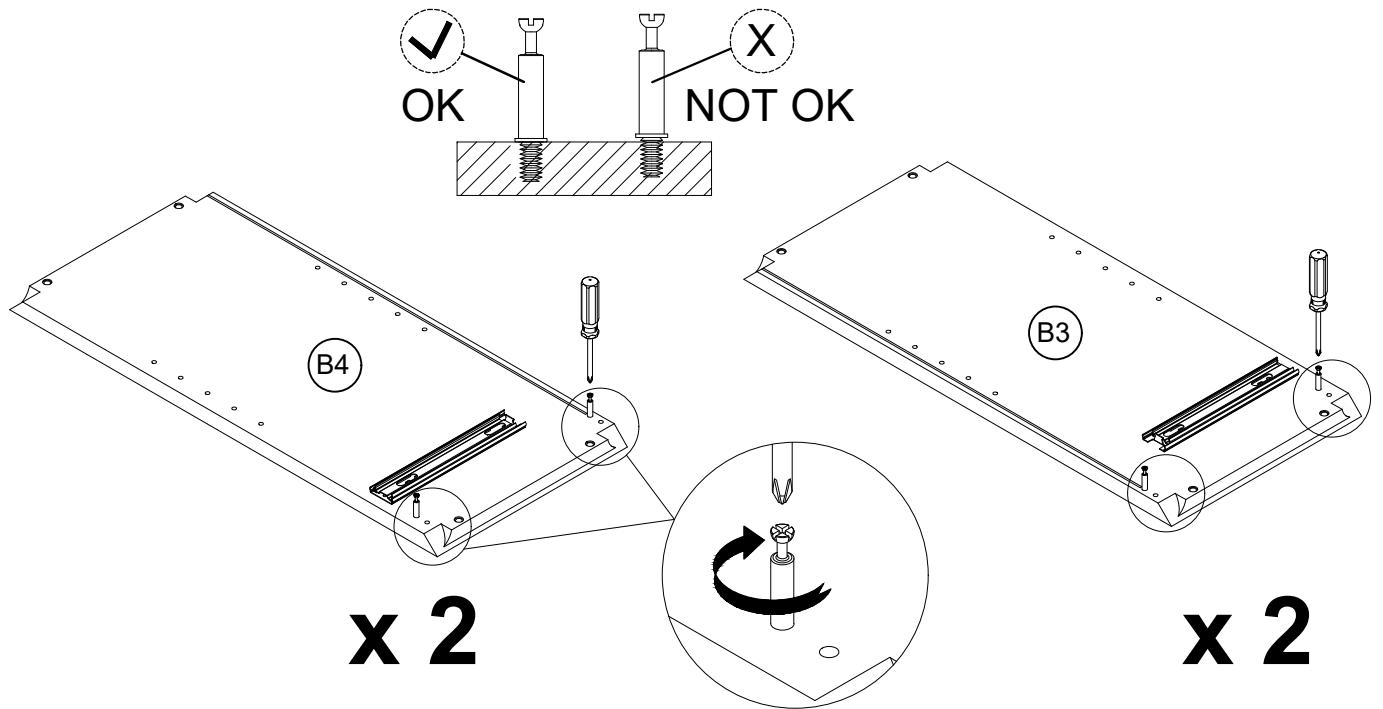
F



8

STEP 15: Following below illustration

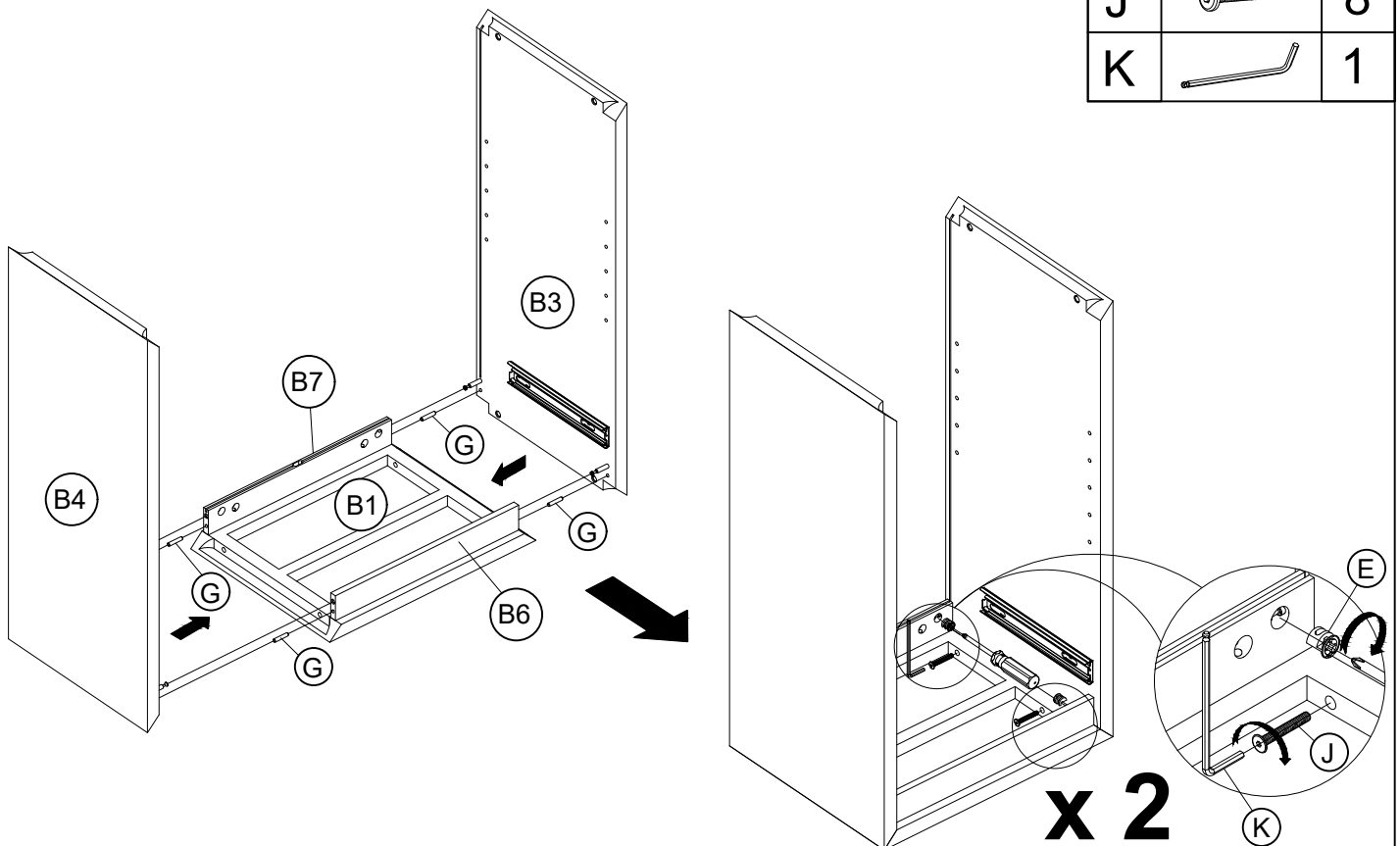
-Using hardware #F assembly into B3, B4





STEP 16: Following below illustration

-Using hardware #E, #G and #J connect B3, B4 with B1, B6 and B7 assembly step 14

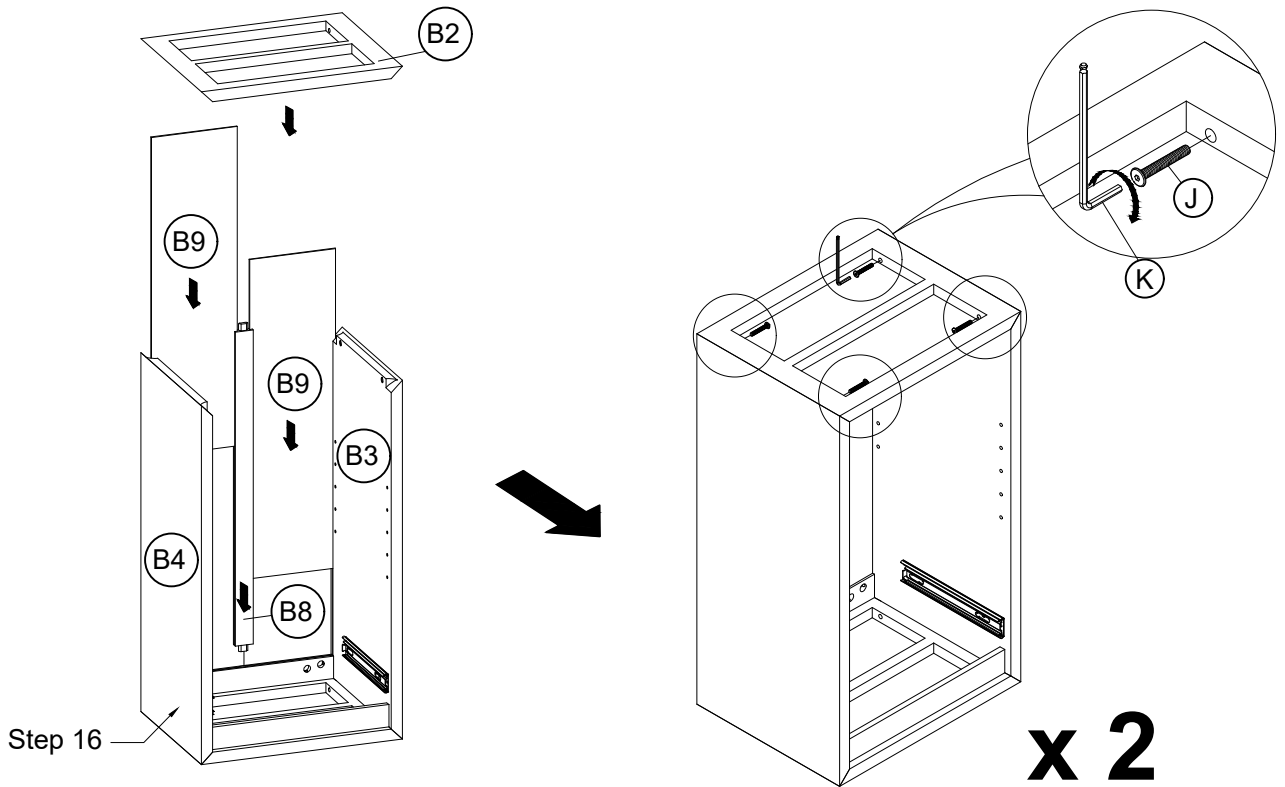
E		8
G		8
J		8
K		1



J		8
K		1

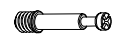
STEP 17: Following below illustration

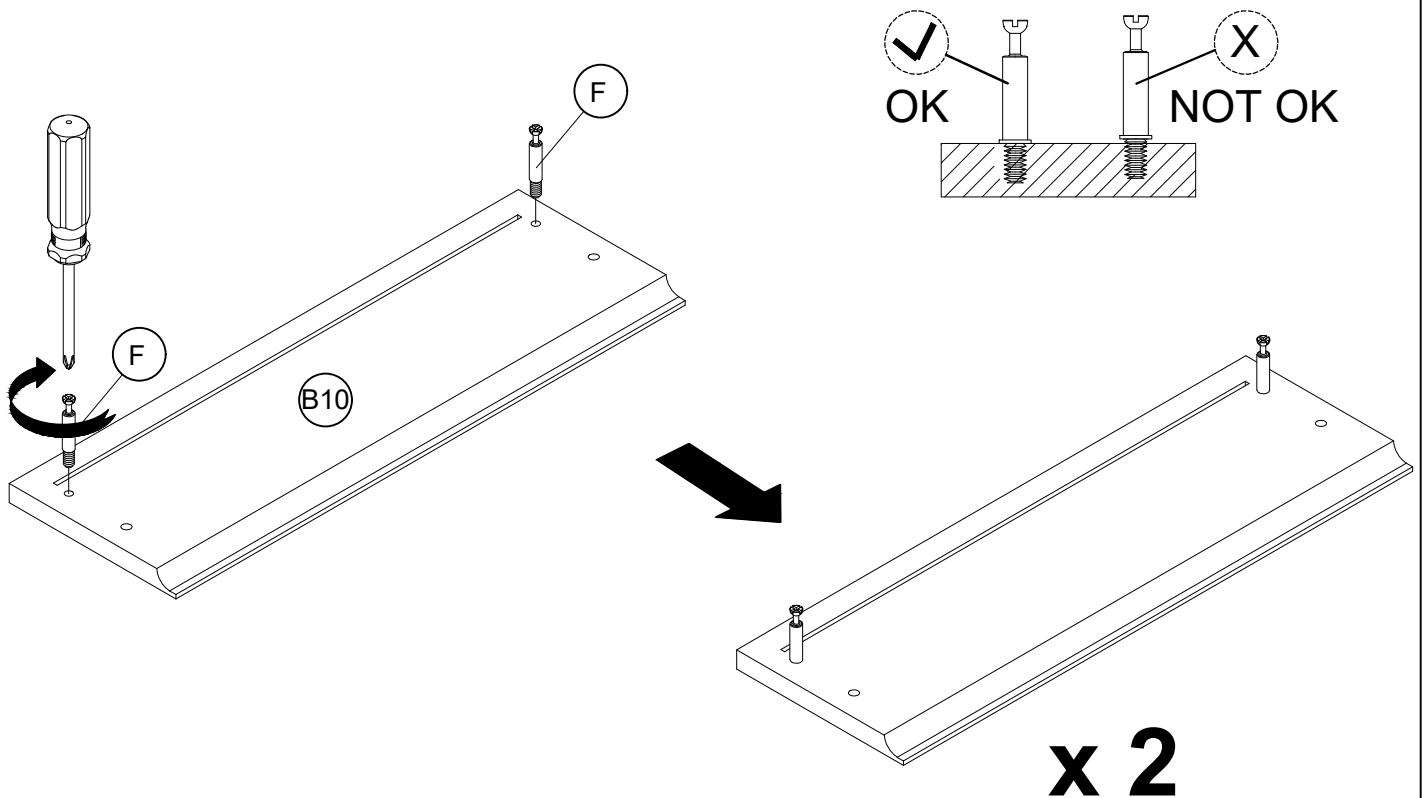
-Using hardware #J connect B2,B8 and B9 with B3,B4 assembly step 16





STEP 18: Following below illustration

-Using hardware #F assembly into B10

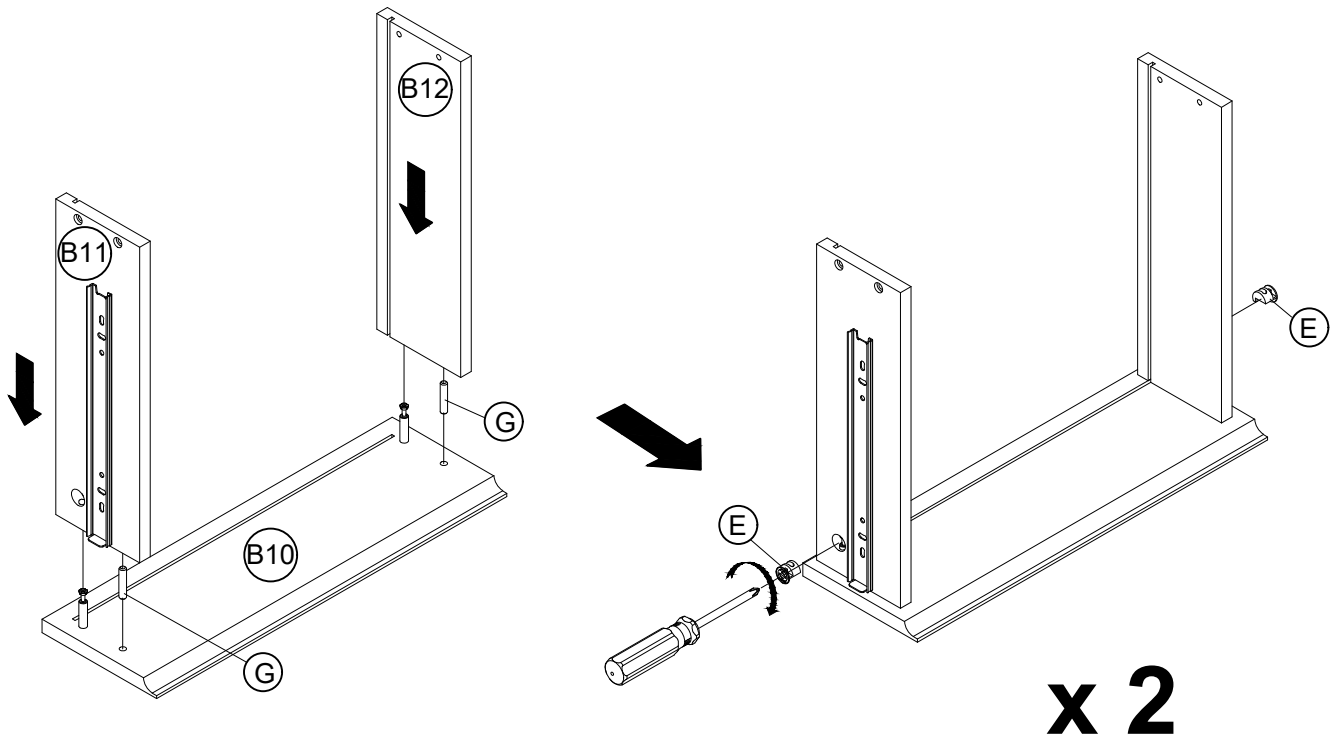
F		4
---	---	---




E		4
G		4

STEP 19: Following below illustration

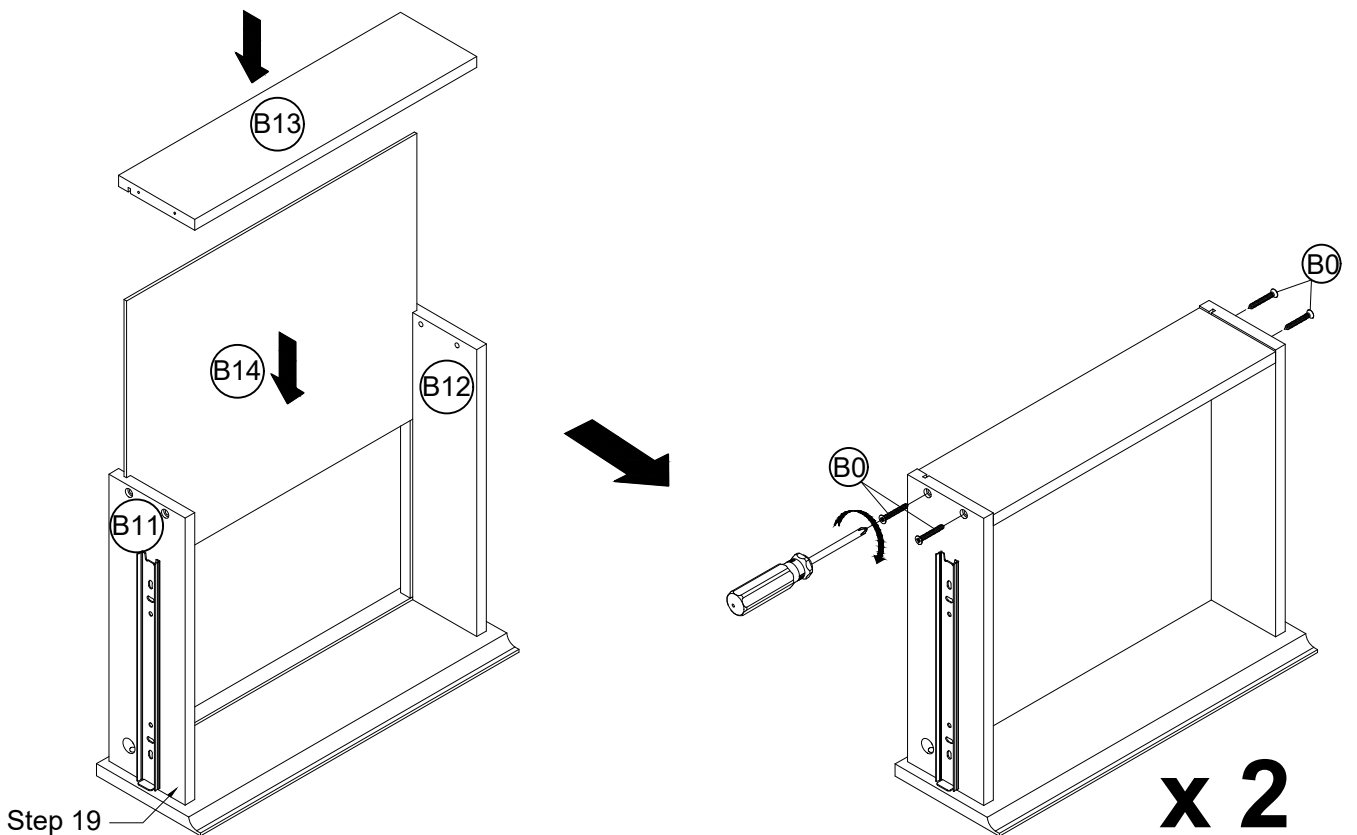
-Using hardware #E, #G connect B10 with B11,B12



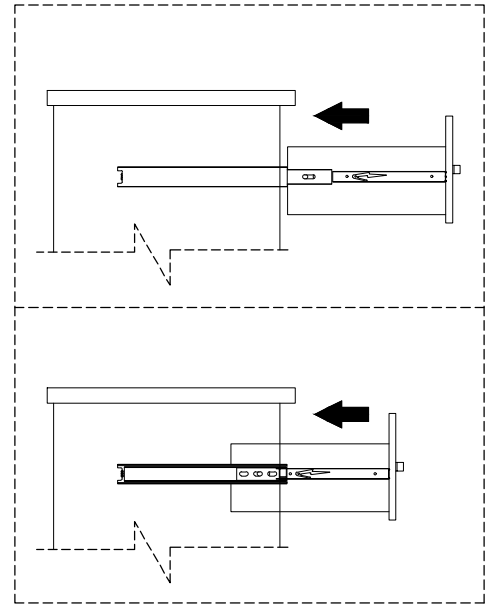
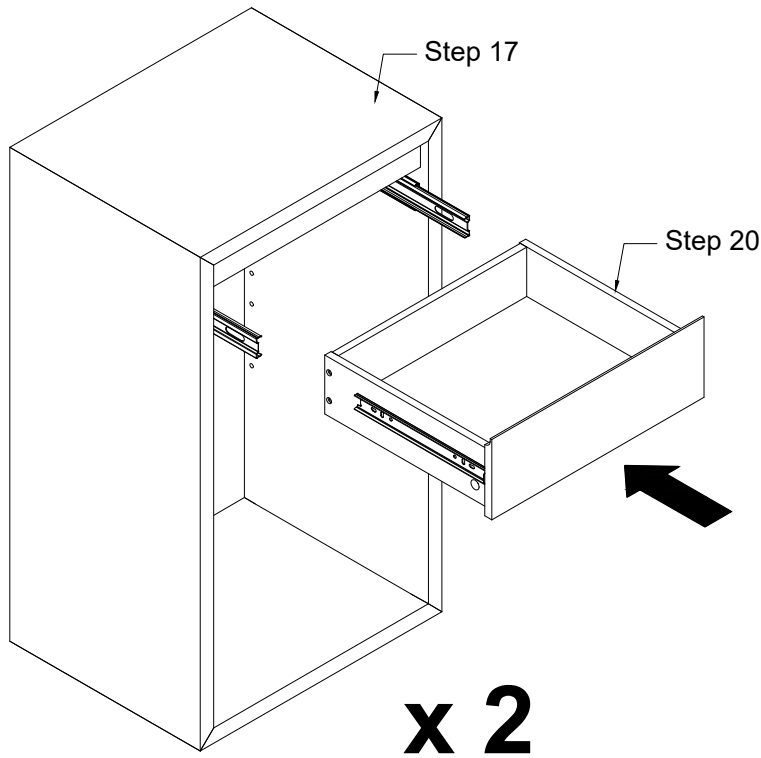
B0		8
----	---	---

STEP 20: Following below illustration

-Using hardware #B0 connect B13 with B11,B12 assembly step 19

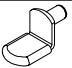


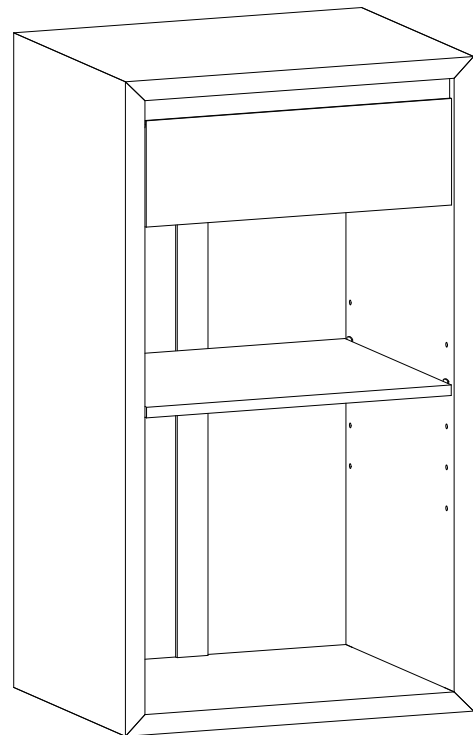
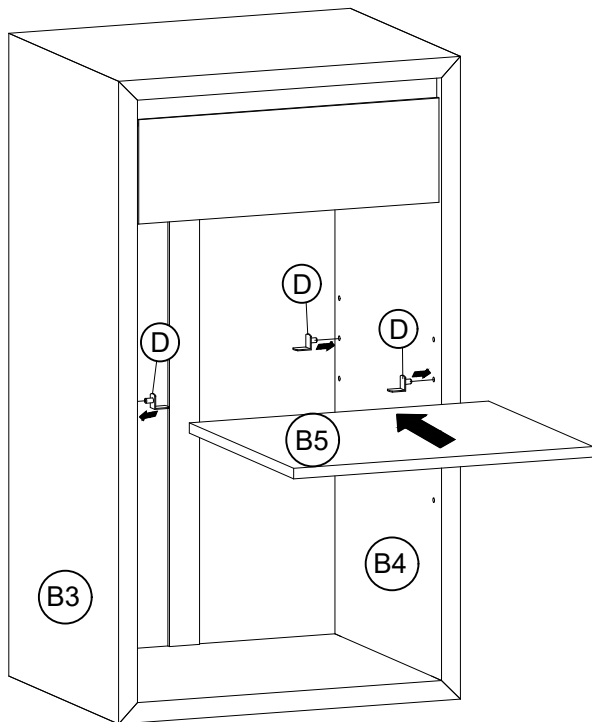
STEP 21: Following below illustration





STEP 22: Following below illustration

-Using hardware #D connect B5 with B3,B4 assembly step 21

D		8
---	---	---

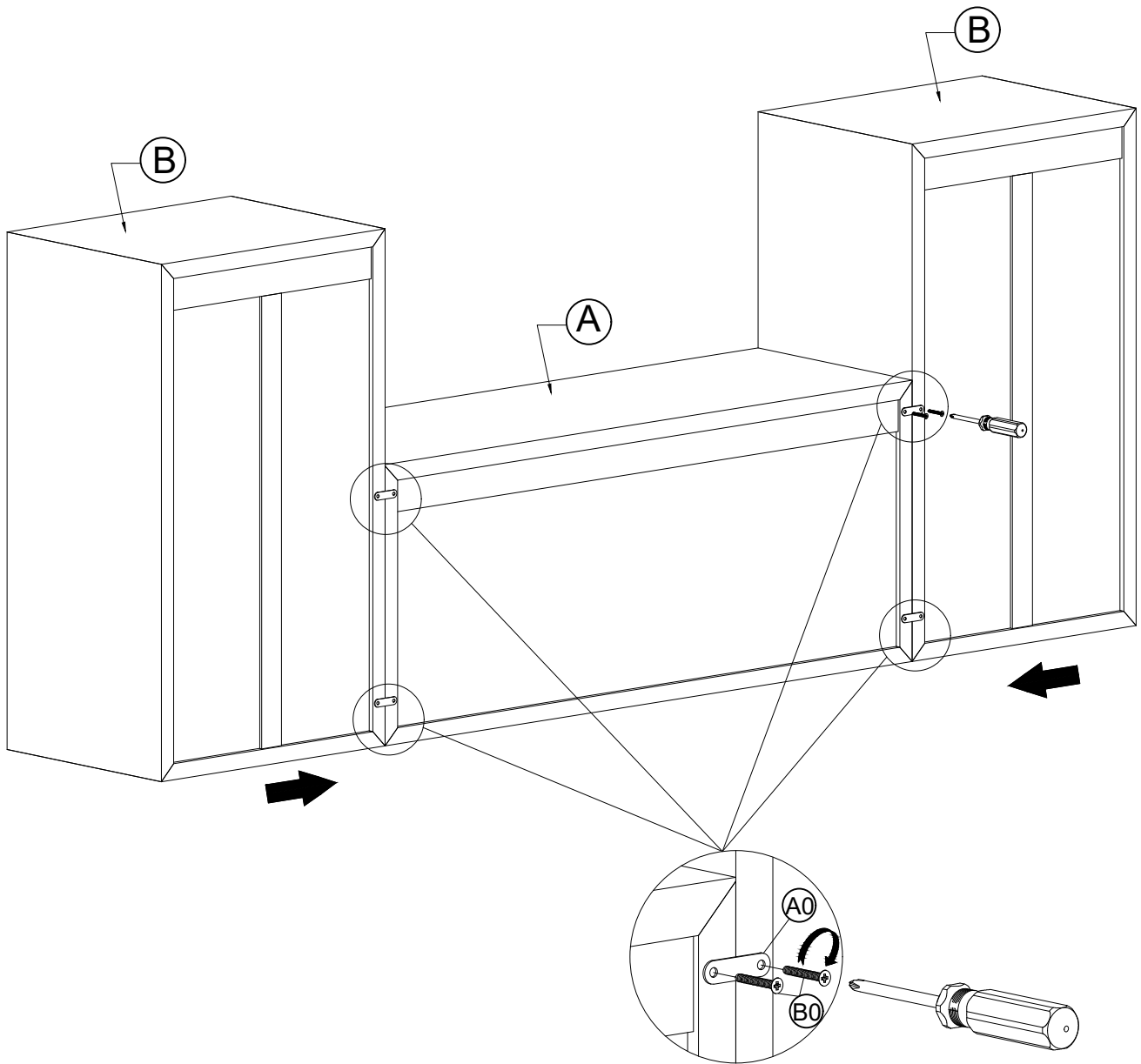


x 2

A0		4
B0		8

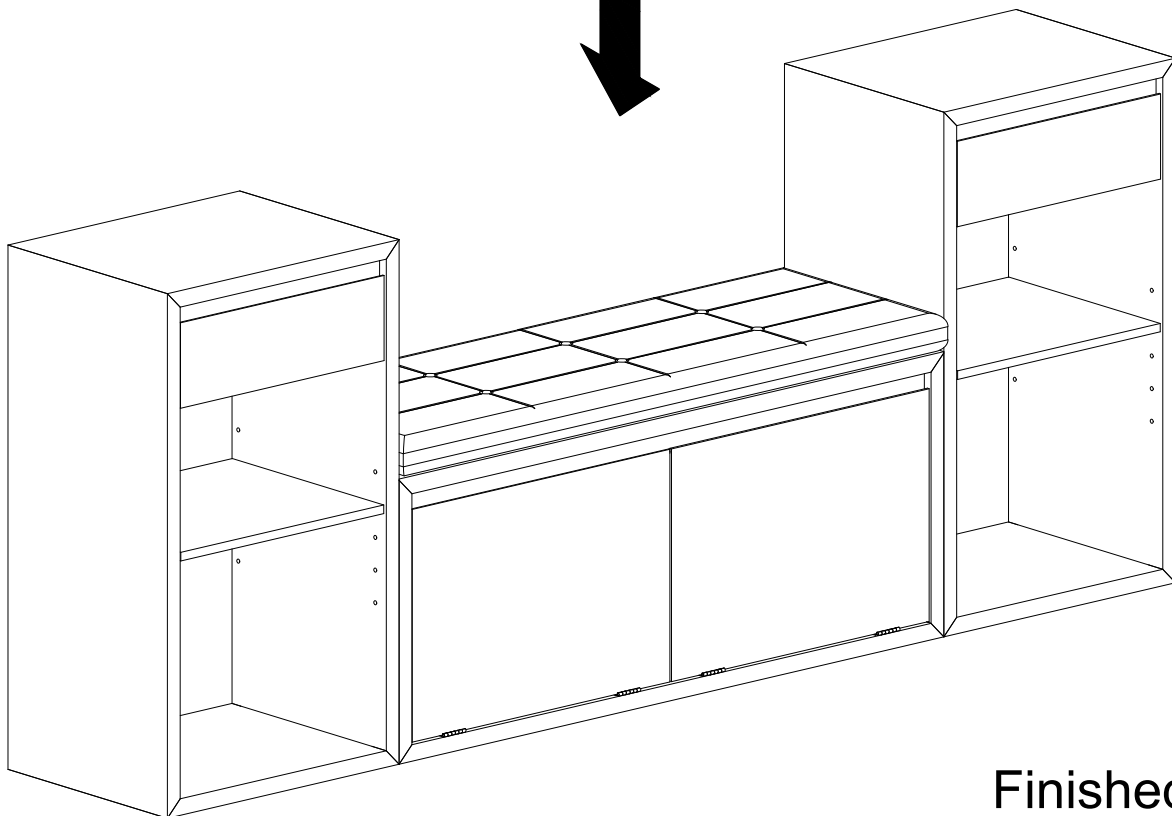
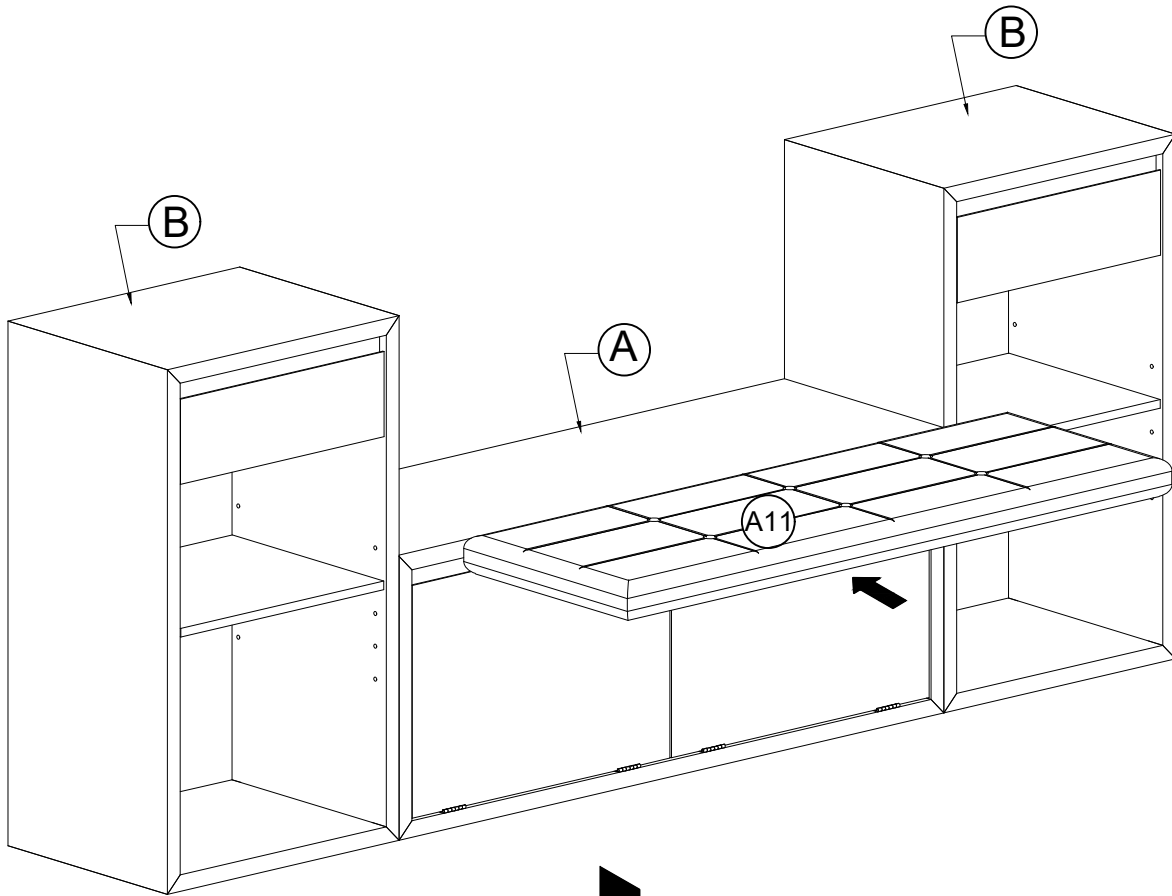
STEP 23: Following below illustration

-Using hardware #A0,#B0 connect Bench (A) with Cabinet (B)



STEP 24: Following below illustration

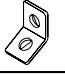
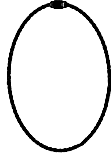


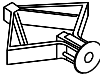
-Put the seat cushion A11 on Bench A

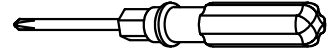


Finished

! WARNING

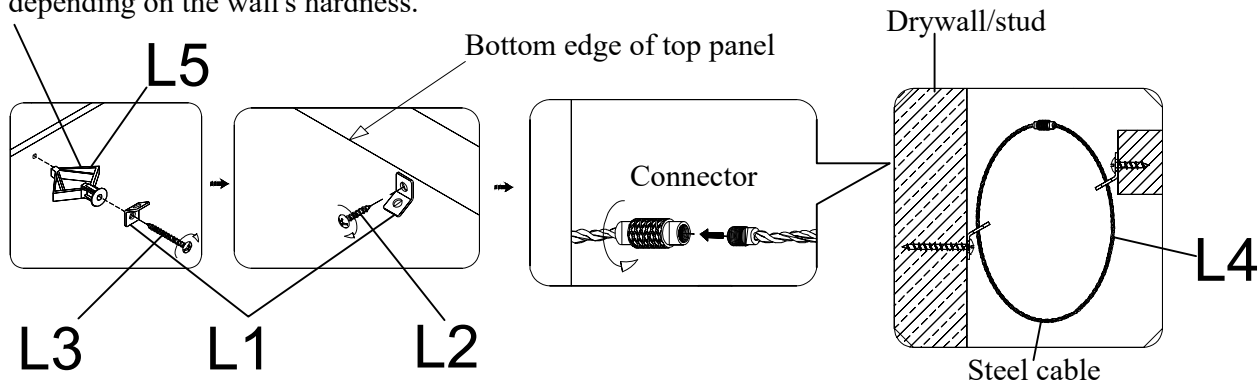
Serious or fatal crushing injuries can occur from furniture tip-over. If the furniture tip over restraint kit is not in the box, please contact our customer service department in order to obtain another kit before using the furniture.

L1		4	L4		2
L2	 M4 X 20mm	2			
L3	 M4 X 40mm	2	L5		2



NOTE: The screwdriver is not included in the hardware pack.

It can be attached with a wall plug or not, depending on the wall's hardness.



WALL

