

Pocket Door Soft Close Installation Guide

Pocket door soft close systems ensure smooth and controlled door movement. Improper installation can lead to malfunctions such as the damper working initially but failing after repeated use. This document summarizes common installation errors and provides solutions to prevent and correct these issues.

Installation Steps:

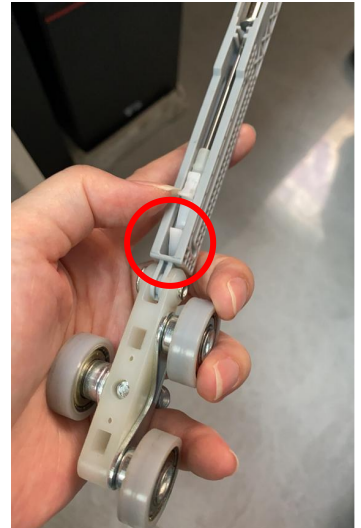
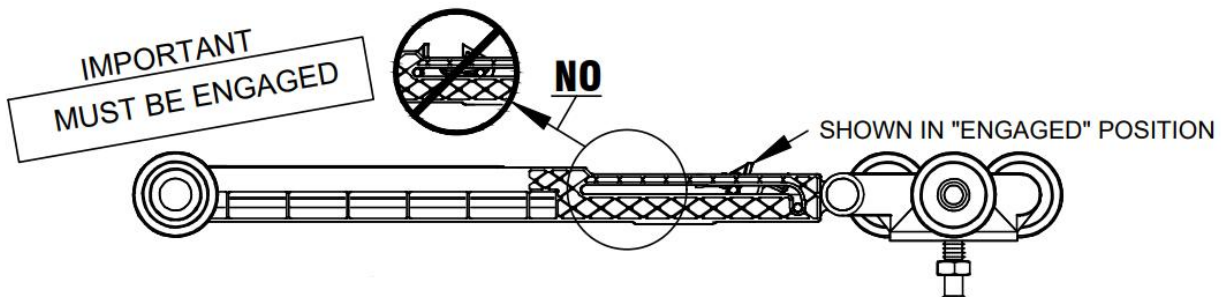
1. Preload the damper by pulling out the trigger mechanism fully and allowing it to retract once.
2. Install the actuator arm at approximately 2-1/4" (57mm) from the door edge.
3. Ensure the track is level and free from debris; do not use lubricants.
4. Slide the door fully open and closed multiple times to test smooth engagement of the soft close.

Common Issues and Solutions:

Issue: Damper engages only once

Cause: Trigger was not preloaded.

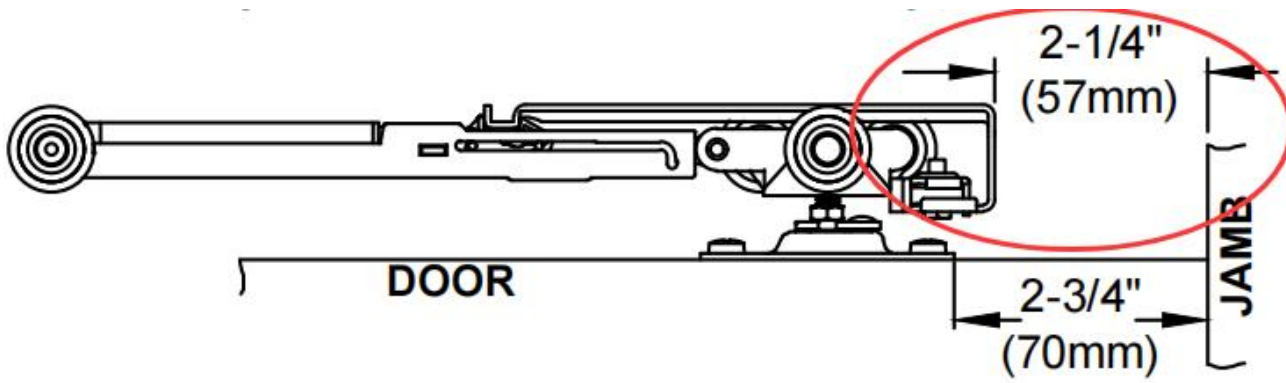
Solution: Pull out the trigger before installation to ensure proper engagement.



Issue: Actuator arm misalignment

Cause: Incorrect mounting distance.

Solution: Adjust actuator position to approximately 2-1/4" (57mm) from door edge. **HAND TIGHTEN (do not use power drill) Actuator Arm on track.**



! Important - Soft Close Actuator Adjustment

For the soft close to work, the actuator arm must touch the damper wheel.

The 2-1/4" (57 mm) dimension is a reference value only.

If soft close does not engage:

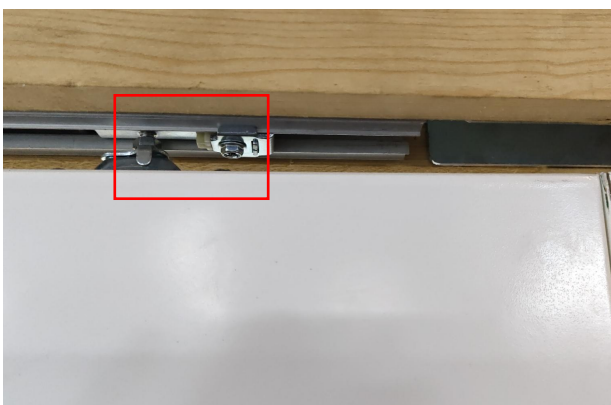
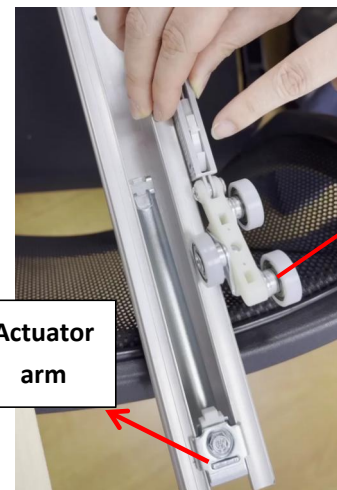
Hang the door and slide it toward the closed position.

Check the gap between the actuator arm and the damper wheel.

Adjust the actuator by the remaining distance until they touch.

No contact = no soft close function.

Final adjustment must be done after the door is installed.



Issue: Track misalignment

Cause: Track not level or clean.

Solution: Clean and level the track before installing the system.

Issue: No post-installation testing

Cause: Failure to check functionality after install.

Solution: Perform multiple open-close tests to confirm smooth operation.