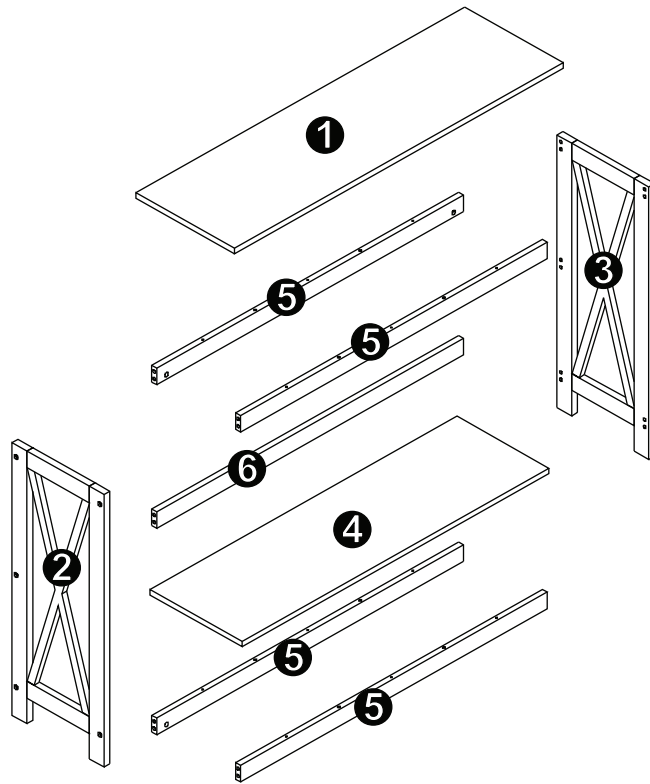






PARTS LIST

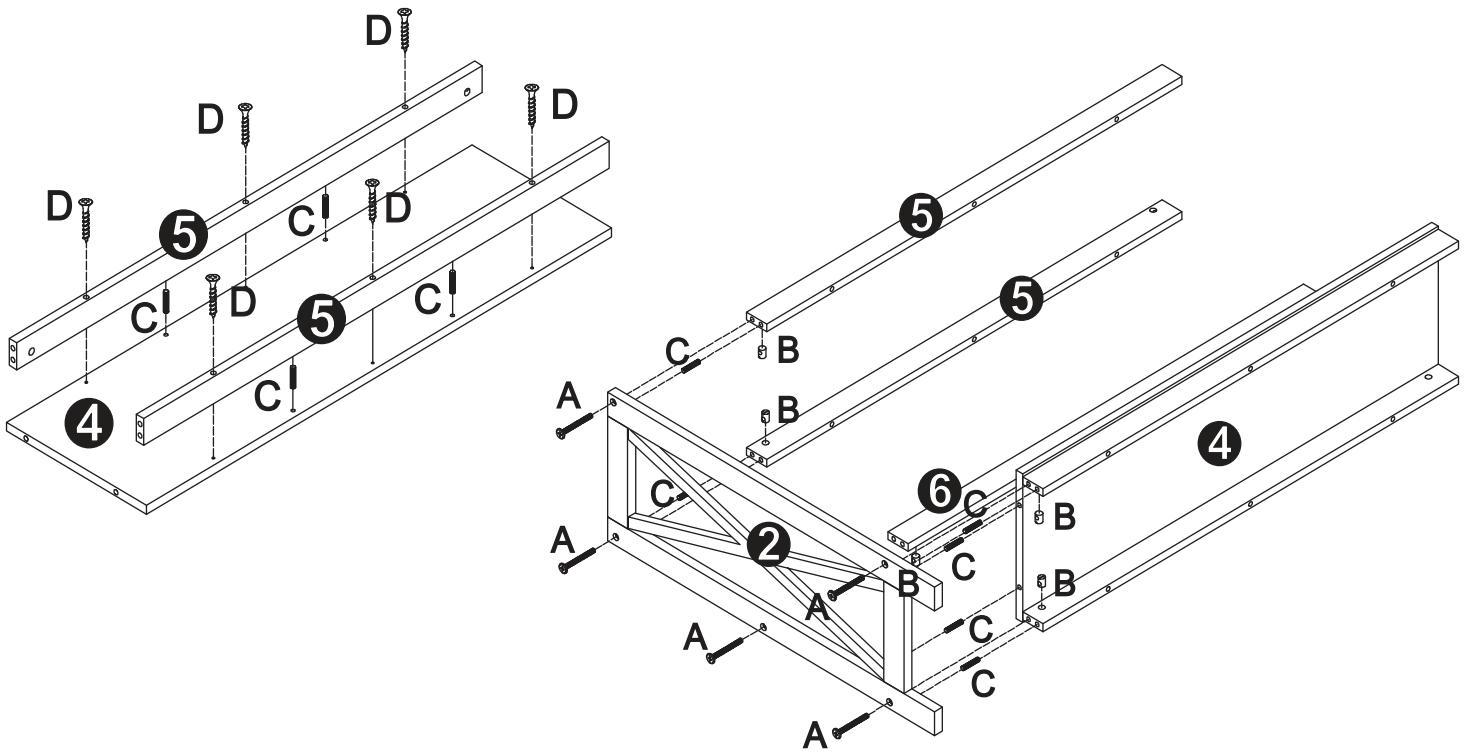


NO	QTY	DESCRIPTION
1	1	Tabletop Board
2	1	Left Side Leg
3	1	Right Side Leg
4	1	Bottom Board
5	4	Clamping Plate
6	1	Clamping Plate

NO	PARTS	QTY	DESCRIPTION
A		10PCS	Screw
B		10PCS	Nut
C		26PCS	Wood Plug
D		12PCS	Self-Tapping Screw

**TOOLS NEEDED FOR ASSEMBLY: FLAT & PHILLIPS SCREWDRIVER (NOT INCLUDED)
THE USE OF POWER SCREWDRIVER IS NOT RECOMMENDED**

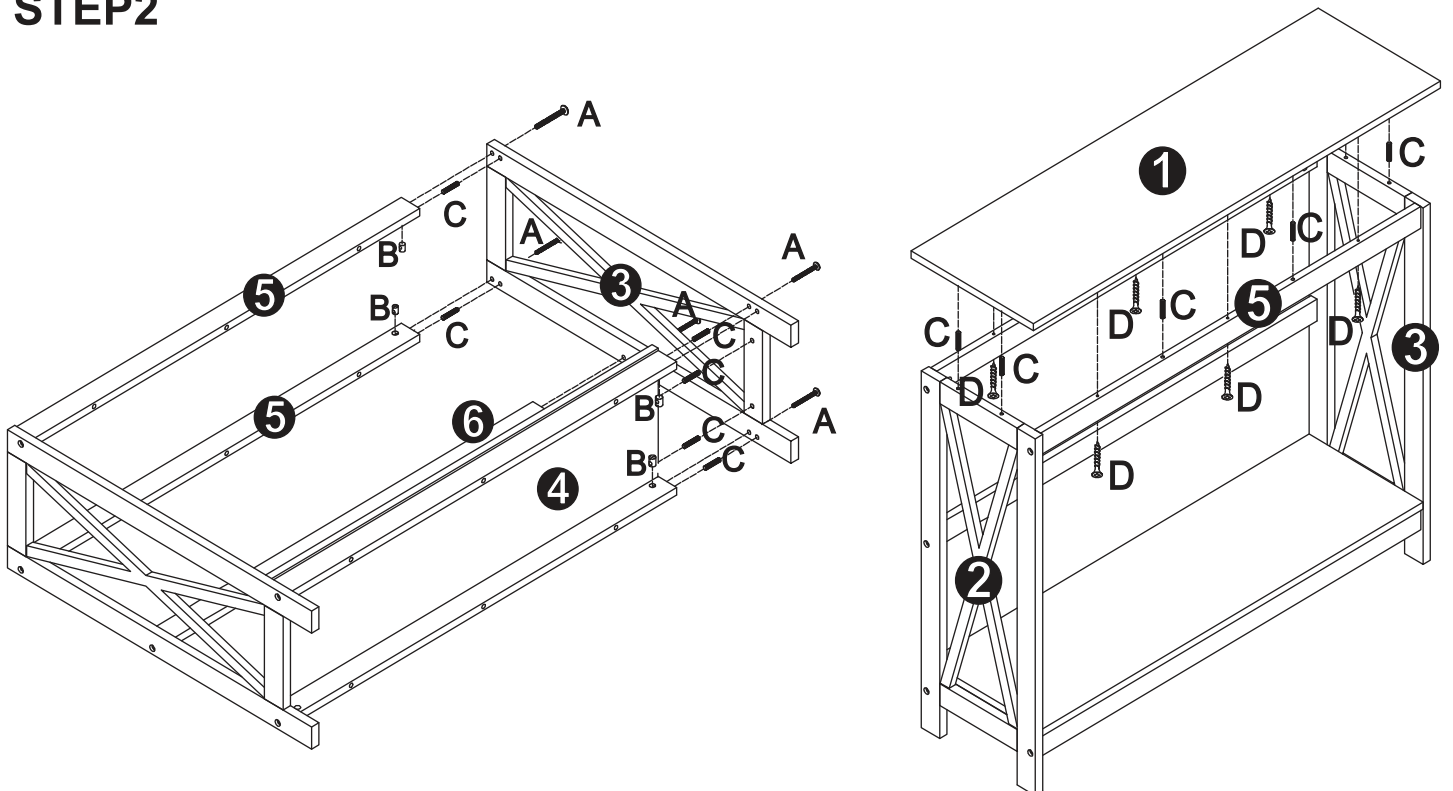
STEP1



Step1

- (1) Use wood plug C to connect board 4 with plate 5, and use screw D to fix them;
- (2) Use wood plug C to connect leg 2, assembled board 4, plate 5 and plate 6 together, then use screw A and nut B to fix them;

STEP2



Step2

- (1) Use wood plug C to connect leg 3 with the finished part from Step1, and use screw A and nut B to fix them;
- (2) Use wood plug C to connect board 1 with the finished part from Step2 (1), and use screw D to fix them.