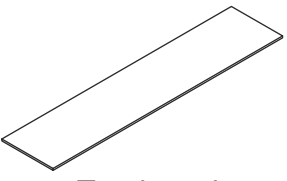
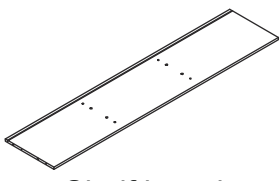
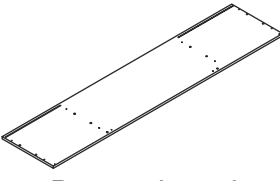
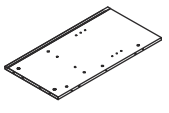
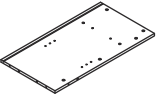
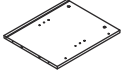
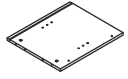
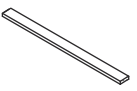

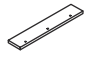
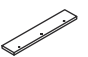
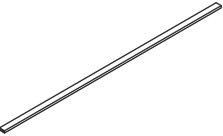
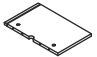
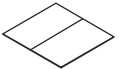
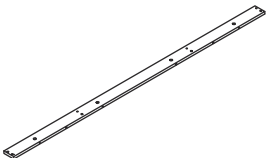
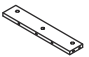
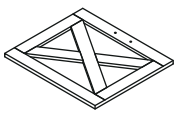
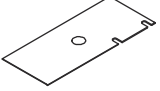
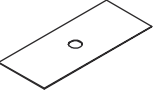

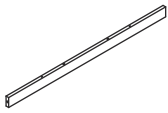
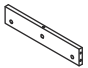
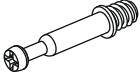


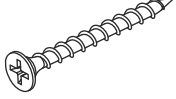

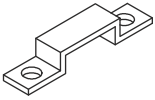
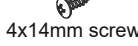

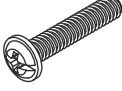


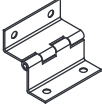
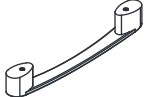
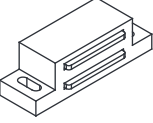
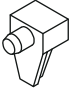
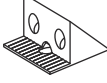


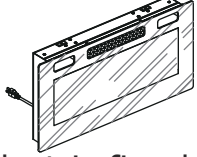
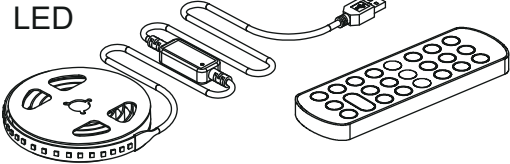



Parts and Operation Elements

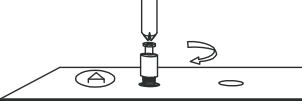

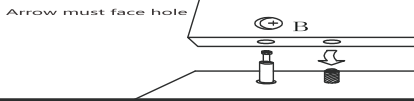

			
① Top board 1pc	② Shelf board 1pc	③ Bottom board 1pc	④ Left side board 1pc
			
⑤ Right side board 1pc	⑥ Left vertical Partition 1pc	⑦ Right vertical Partition 1pc	⑧ Left vertical bar 1pc
			
⑨ Right vertical bar 1pc	⑩ Left short vertical bar 1pc	⑪ Right short vertical bar 1pc	⑫ Top support bar 1pc
			
⑬ Upper vertical board 2pcs	⑭ Lower back board 2pcs	⑮ Long baseboard 2pcs	⑯ Short baseboard 2pcs
			
⑰ Left door board 2pcs	⑱ Side back board 2pcs	⑲ Middle back board 1pc	⑳ Shelf board 2pcs
			
㉑ Support horizontal bar 1pc	㉒ Short baseboard 2pcs		

Hardware

			
A 6x35mm Cam bolt 47+2pcs	B 15x10mm cam lock 47+2pcs	C 7x30mm Wooden dowel 66+2pcs	D 4x40mm screw 20+2pcs
		  Anti-dumping device	
E 3x12mm screw 34+2pcs	F Lamp buckle 8+2pcs	G Anti-dumping device 2pcs	H Bolt 4x18mm 4pcs
			
J 3.5x12mm Screw 6pcs	K Magnet strike 2pcs	L Hinge 4pcs	M Handle 2pcs
			
N Magnet 2pcs	O Shelf support 8+2pcs	P Back plate buckle 20+2pcs	Q 3x16mm screw 24+2pcs
			
X Sticker 51+2pcs	S Electric fireplace (Fireplace in another package) 1pc	T LED 1pcs	
 SPARE BAG Please put the hardware of +2 in this self sealing bag			

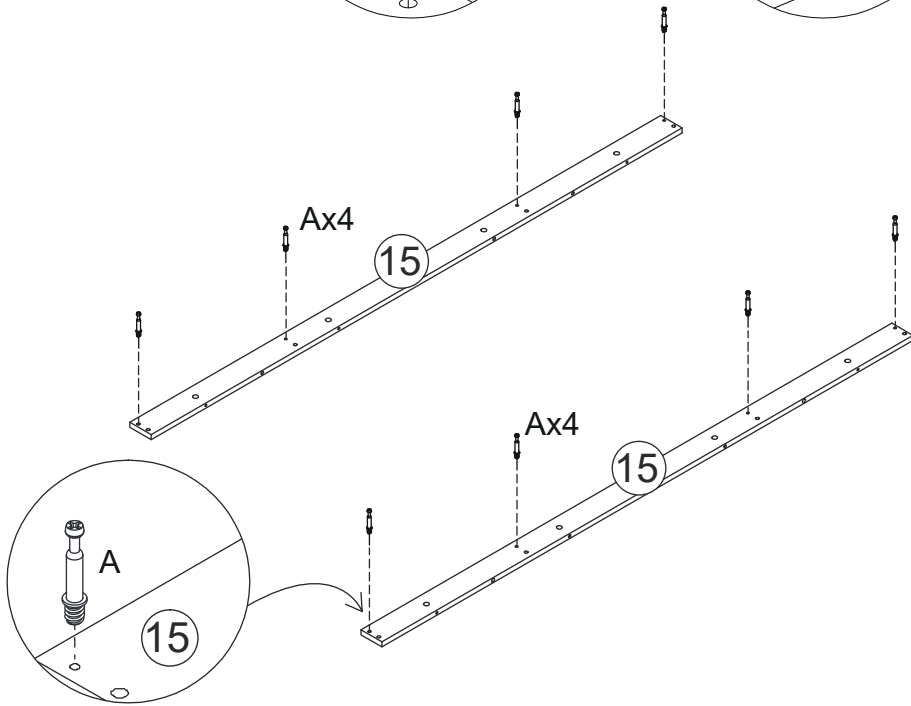
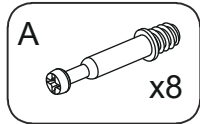
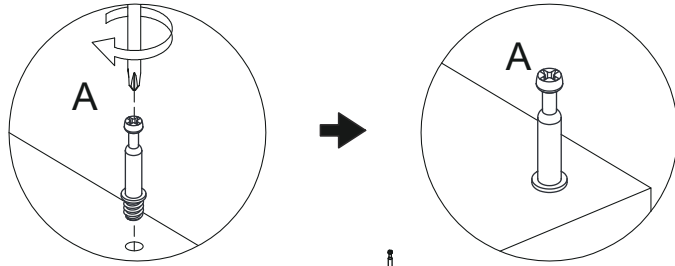

SPARE BAG

THE SPARE BAG INCLUDED EXTRA HARDWARE FOR DAMAGED OR MISSING SMALL HARDWARE WHILE YOU ARE ASSEMBLING.

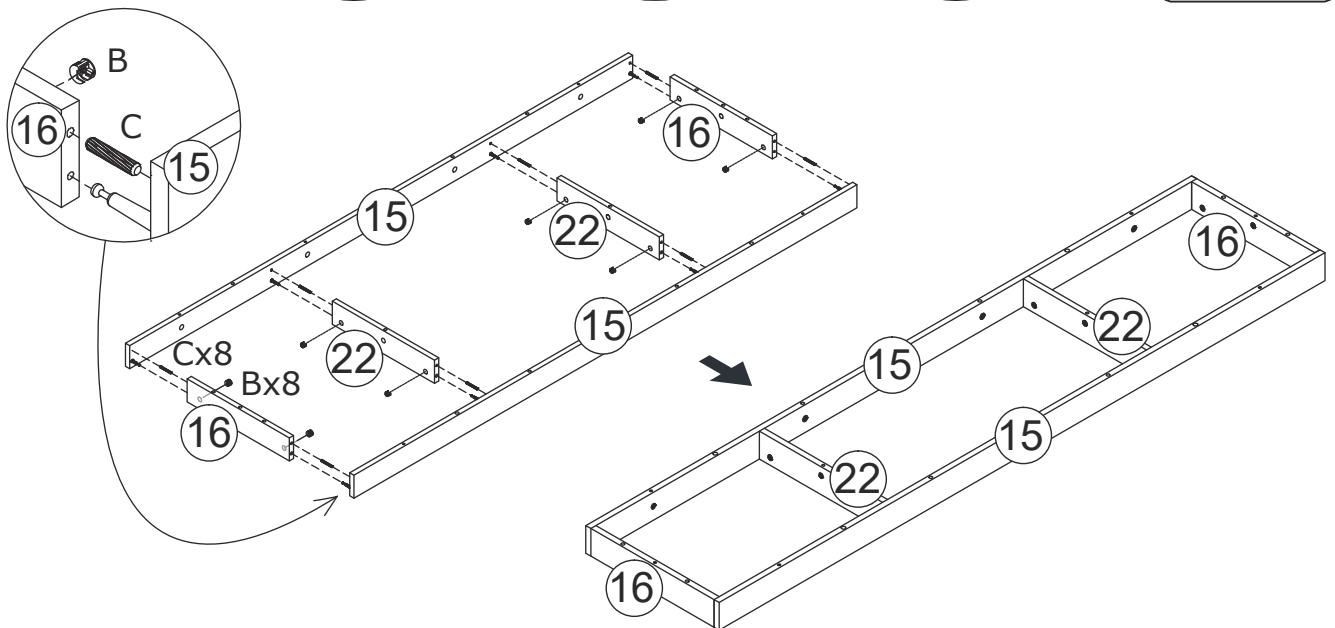
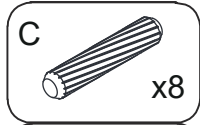
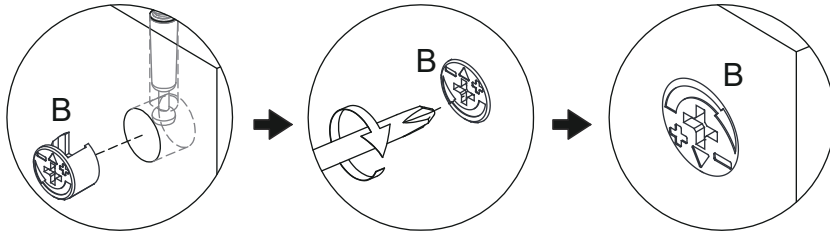
			
Gently screw cam bolt into the threaded anchor.	Insert the wood dowel halfway into hole.	Arrow must face hole	Screw the camlock firmly into locked position.

'SAFETY TIPS:
 Static charge may cause dust on foam- clean with a dry or damp cloth.
 Smafoam strands may represent - handle gently and dispose of properly.
 Do not burn or incinerate.
 Check local recycling guidelines.

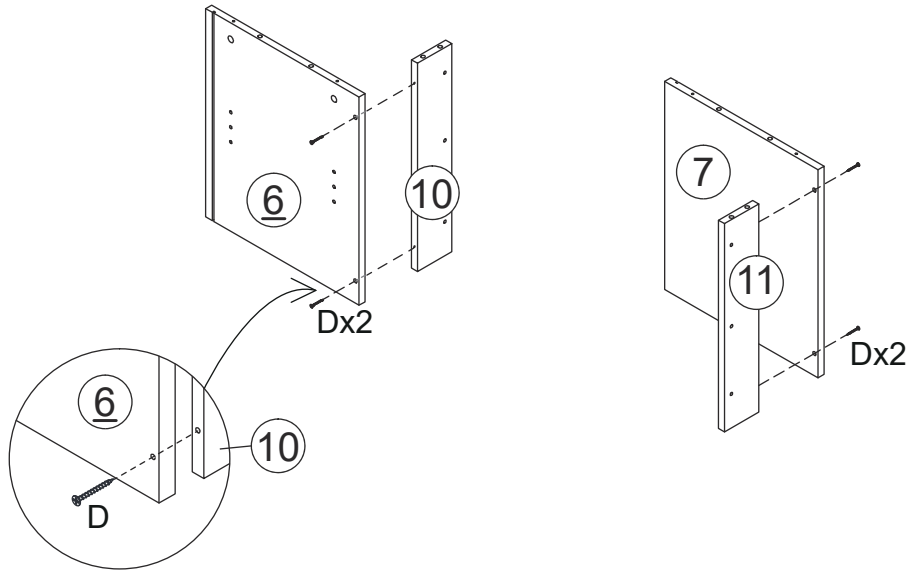
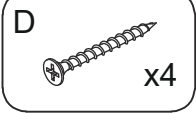
1



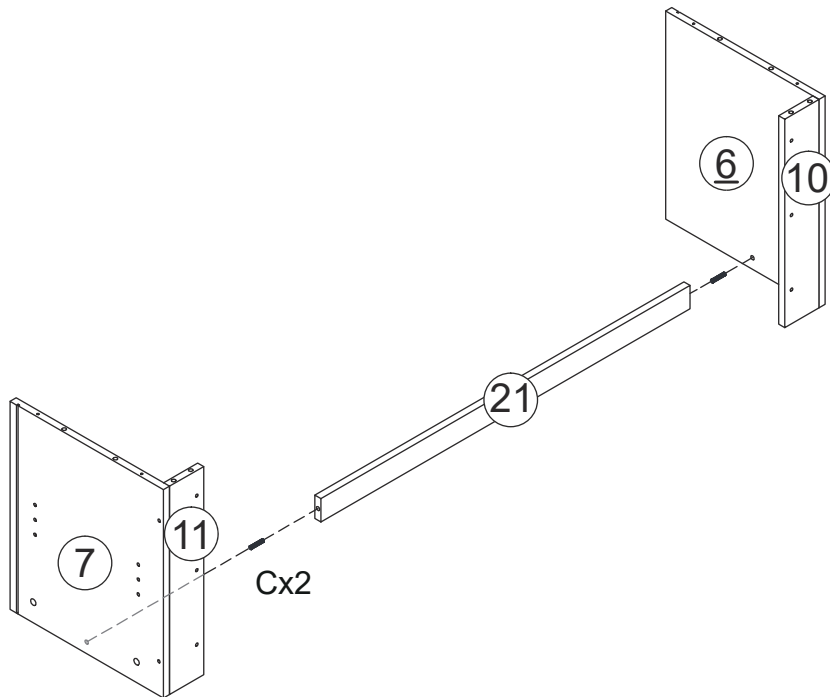
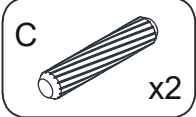
2



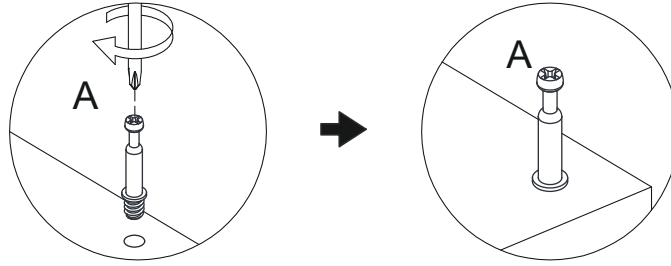
3

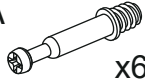

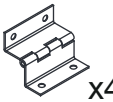


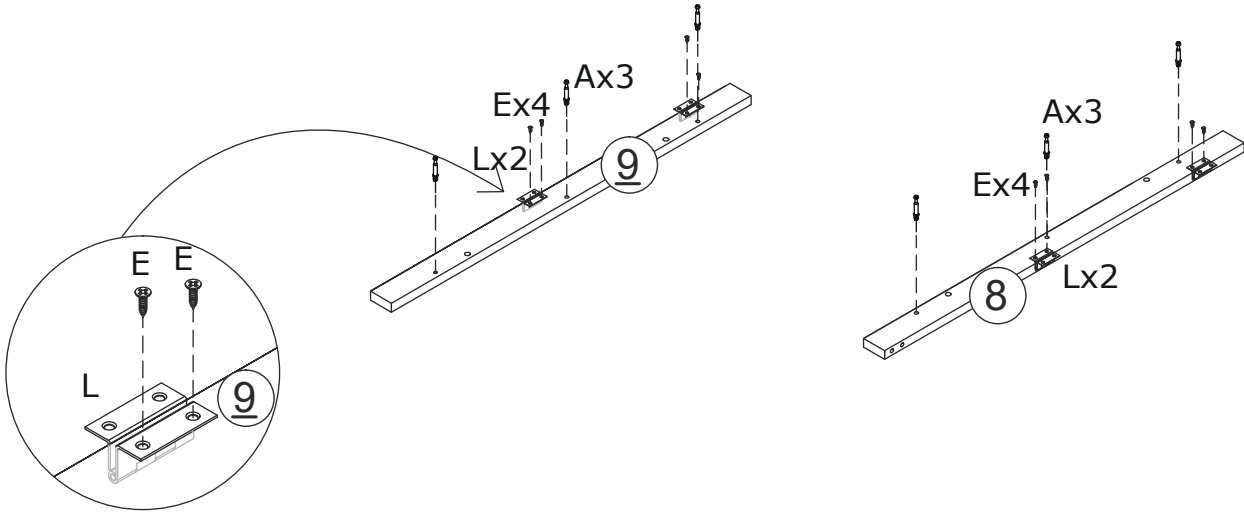
4



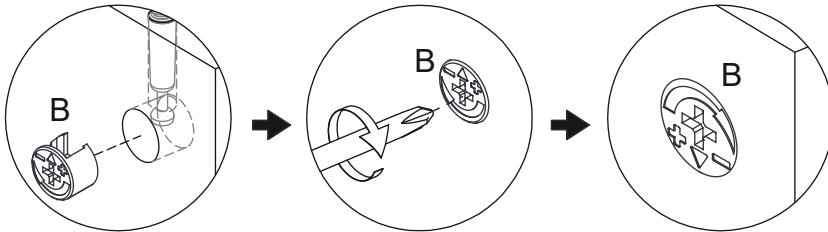
5





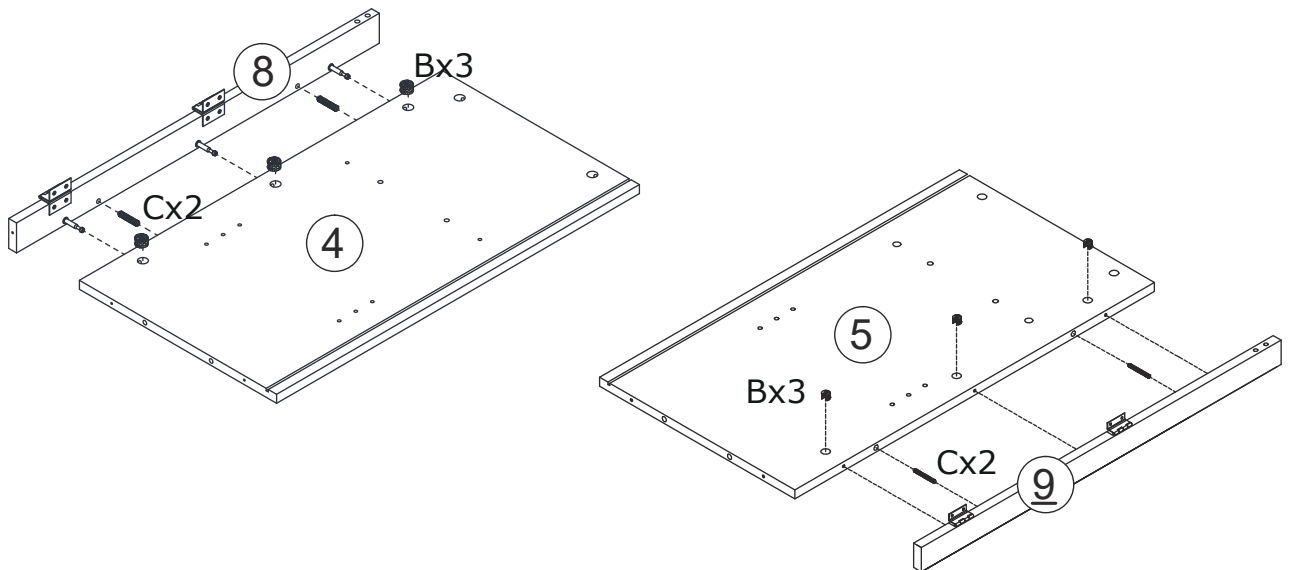
- A  x6
- E  x8
- L  x4



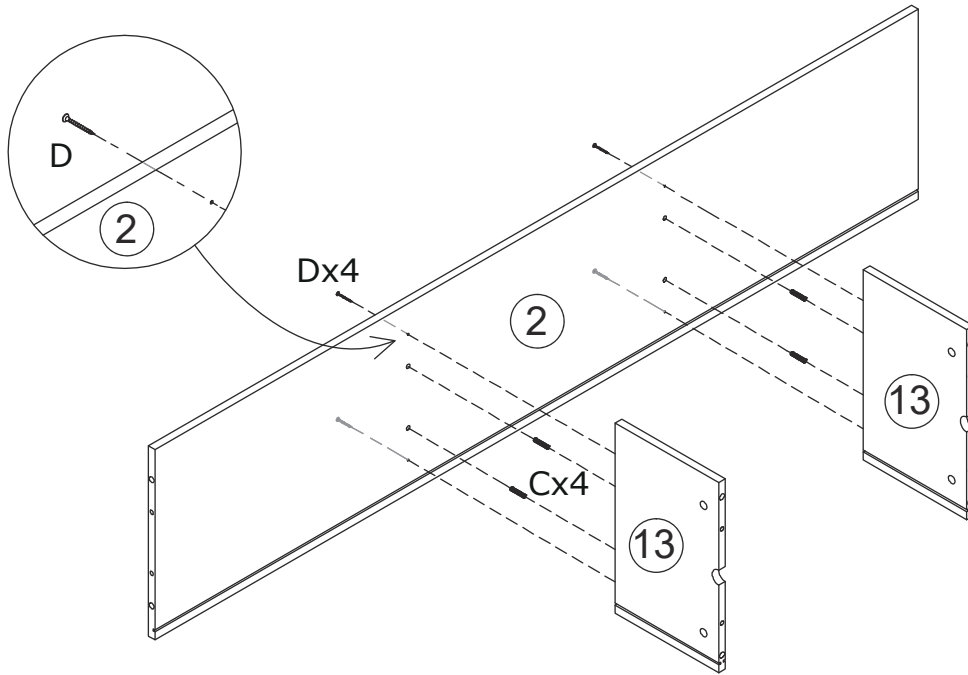
6

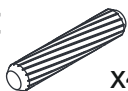
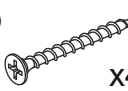


- C  x4
- B  x6

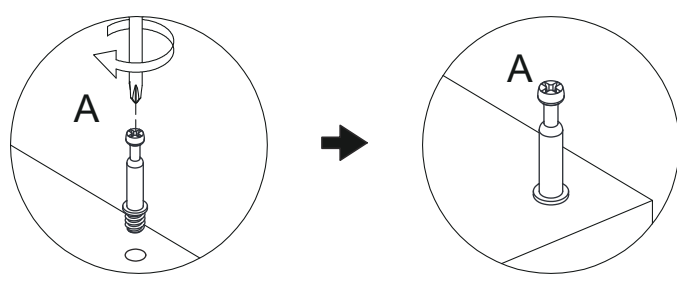


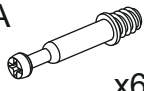

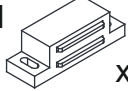
7

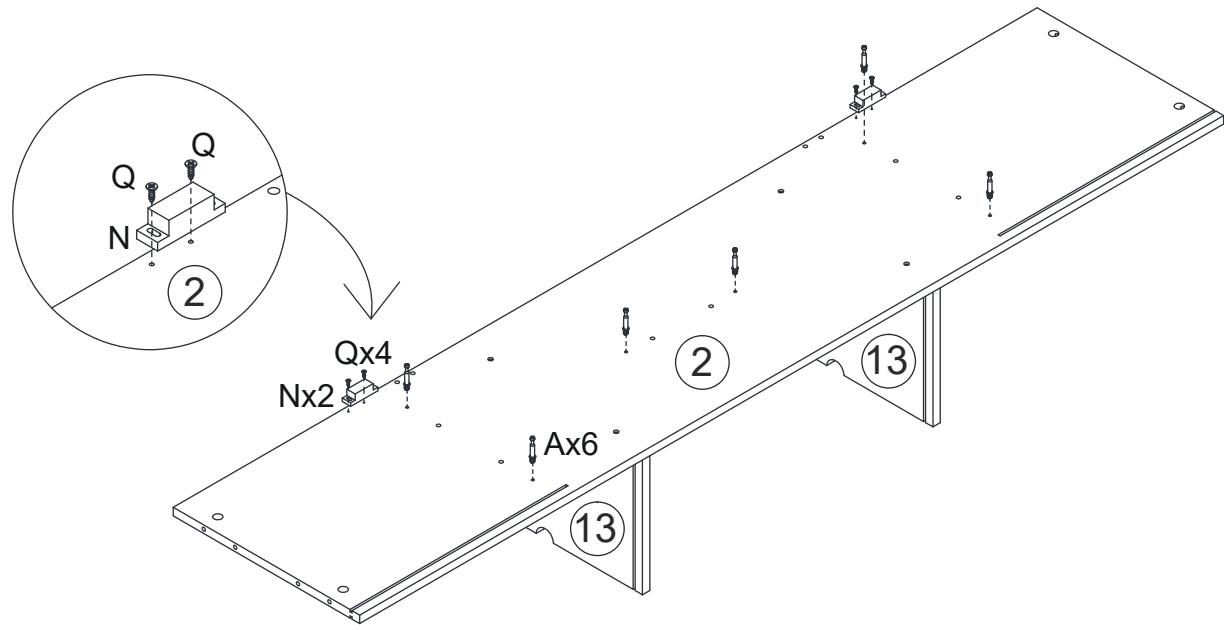


- C  x4
- D  x4

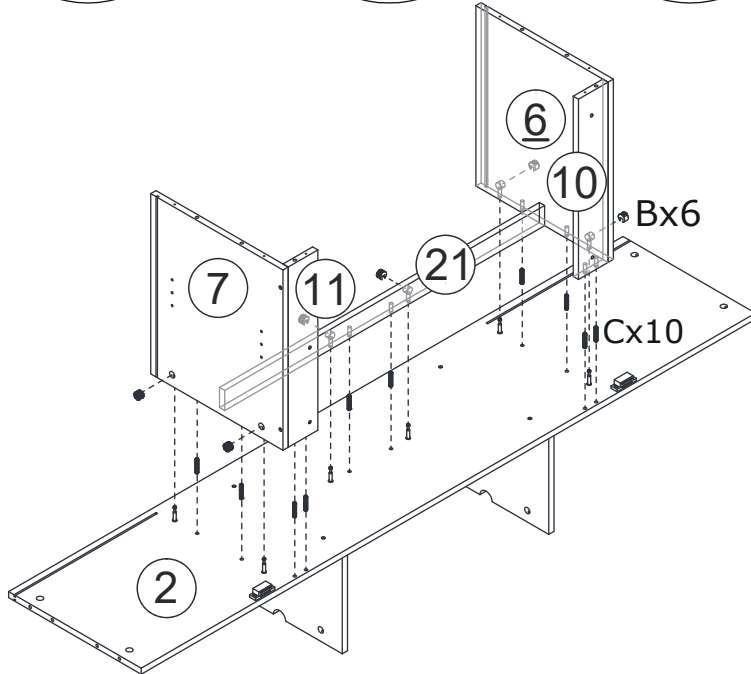
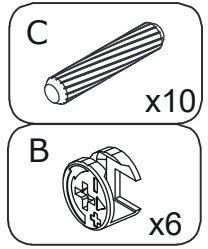
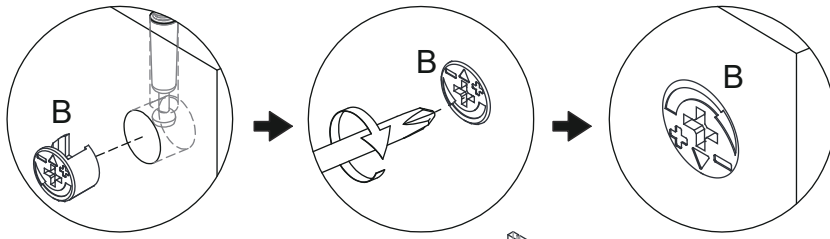
8



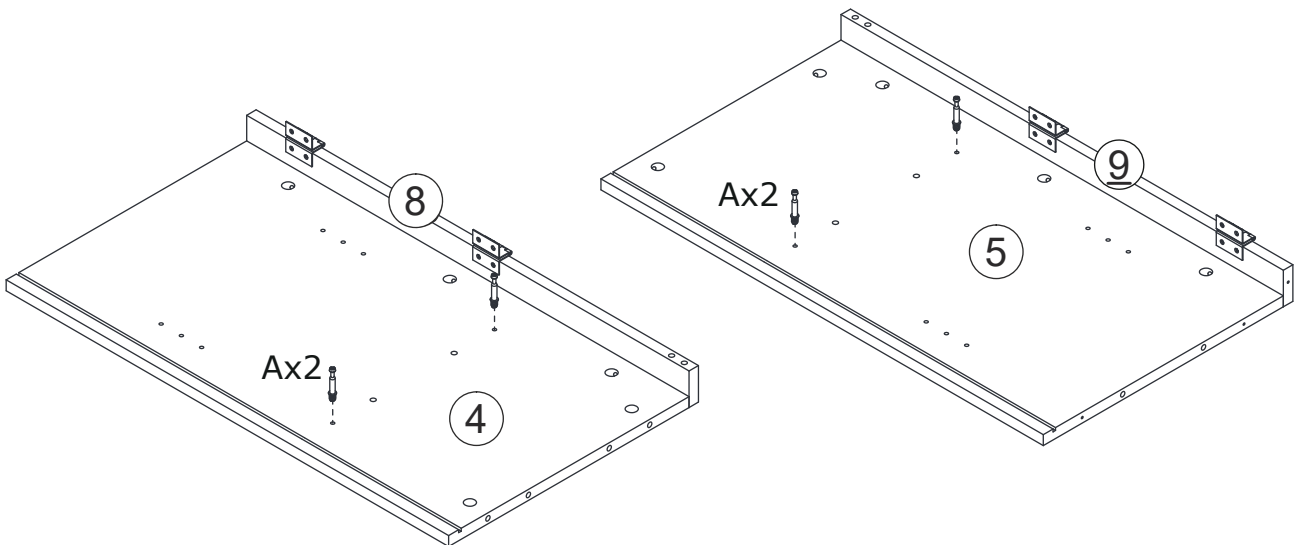
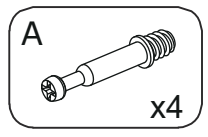
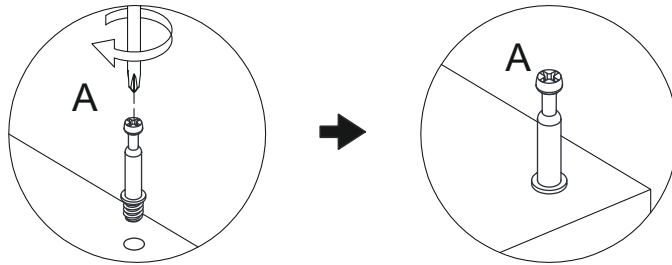
- A  x6
- Q  x4
- N  x2



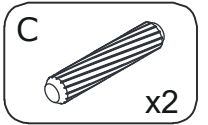
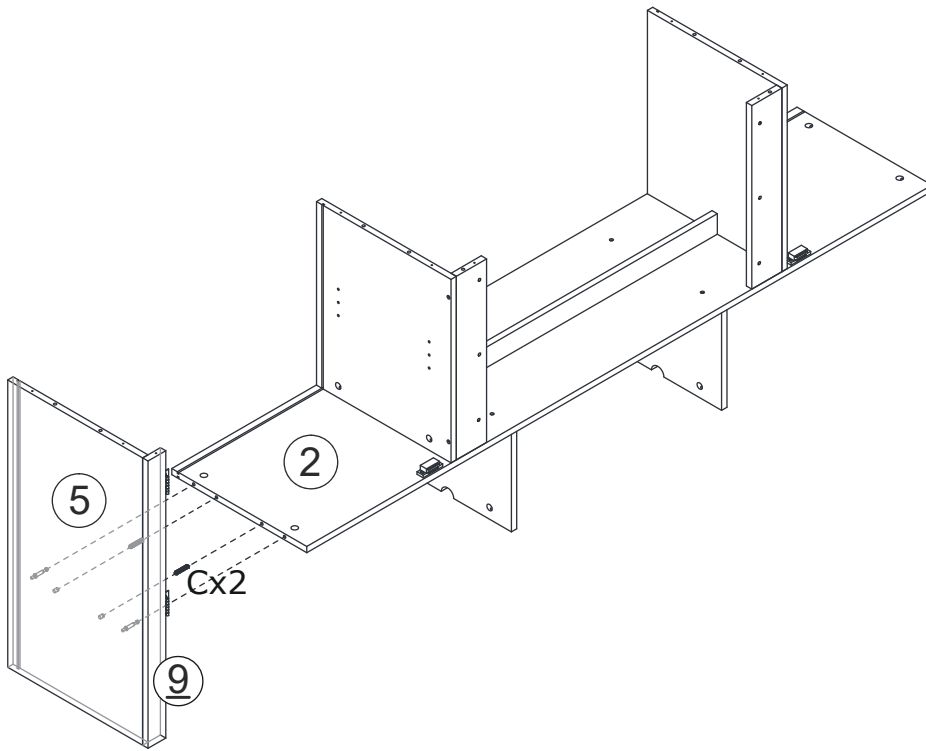
9



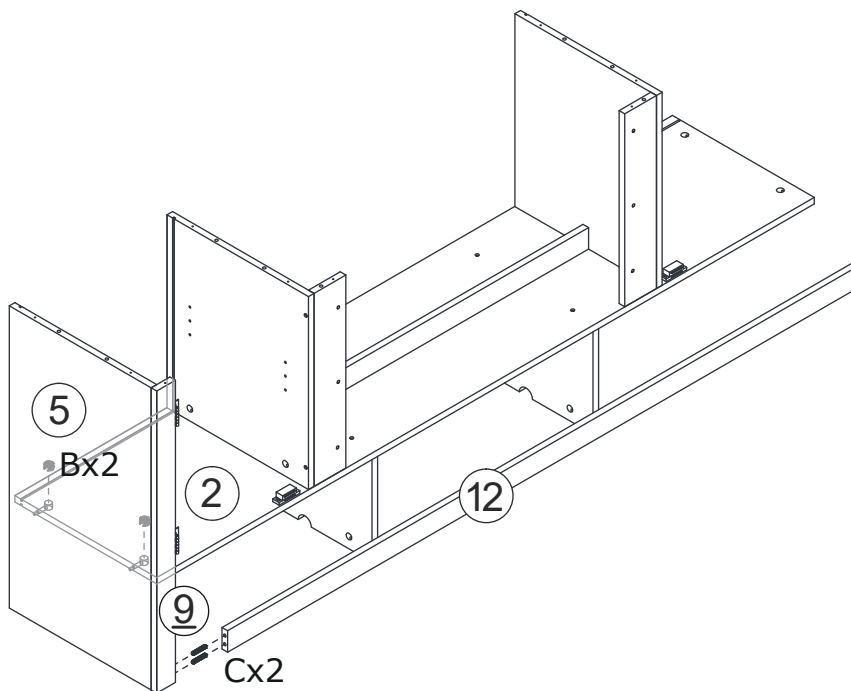
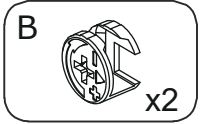
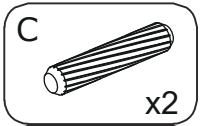
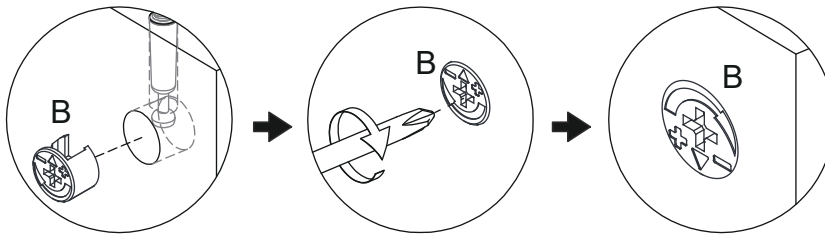
10



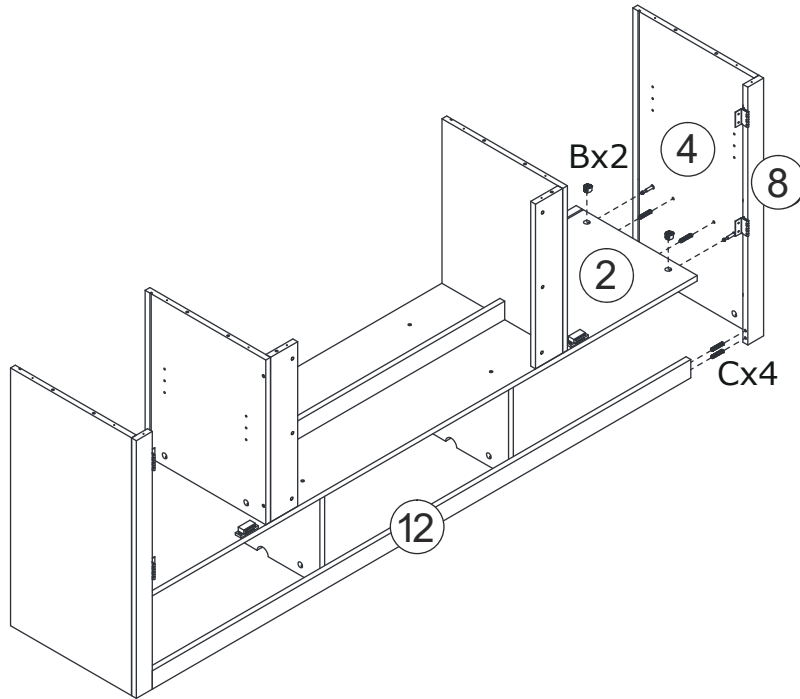
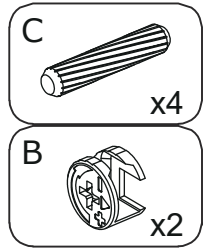
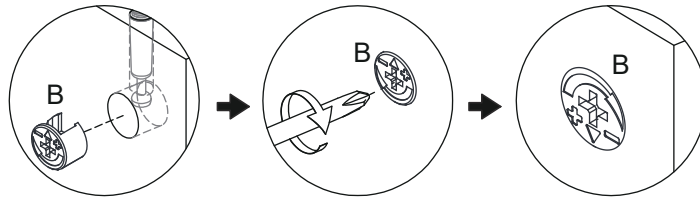
11



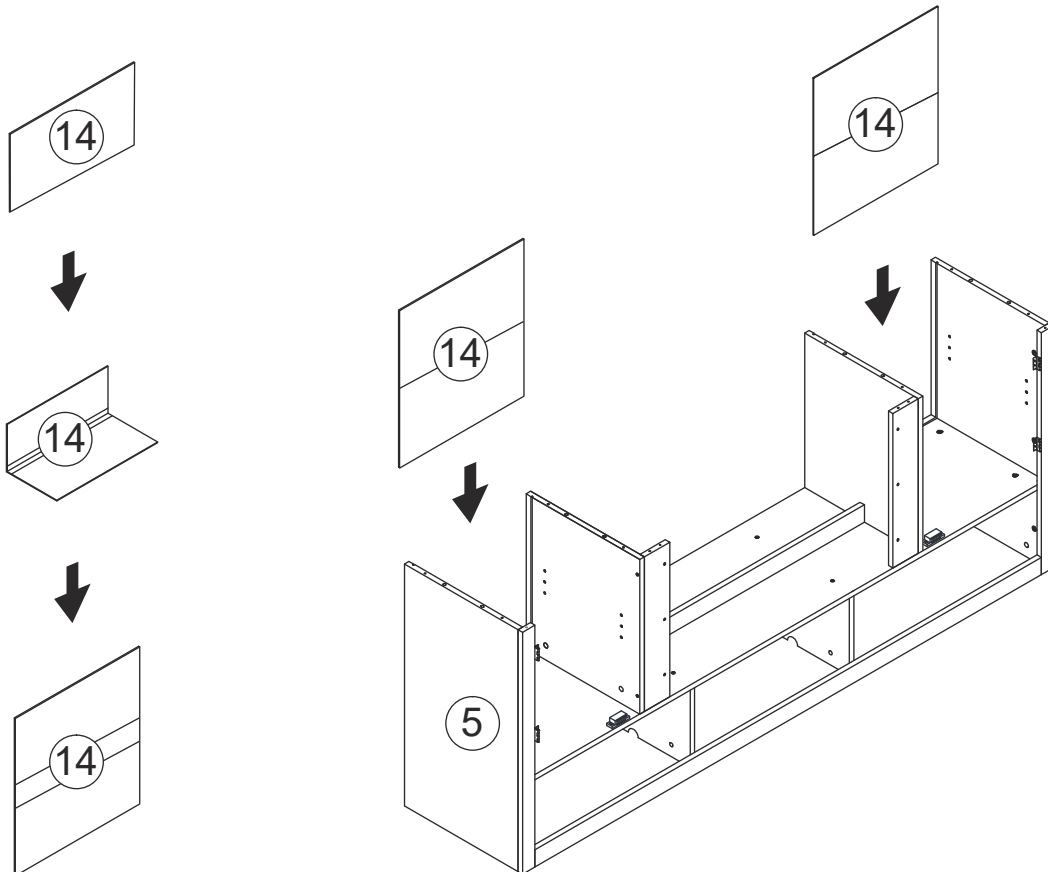
12



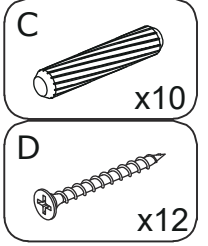
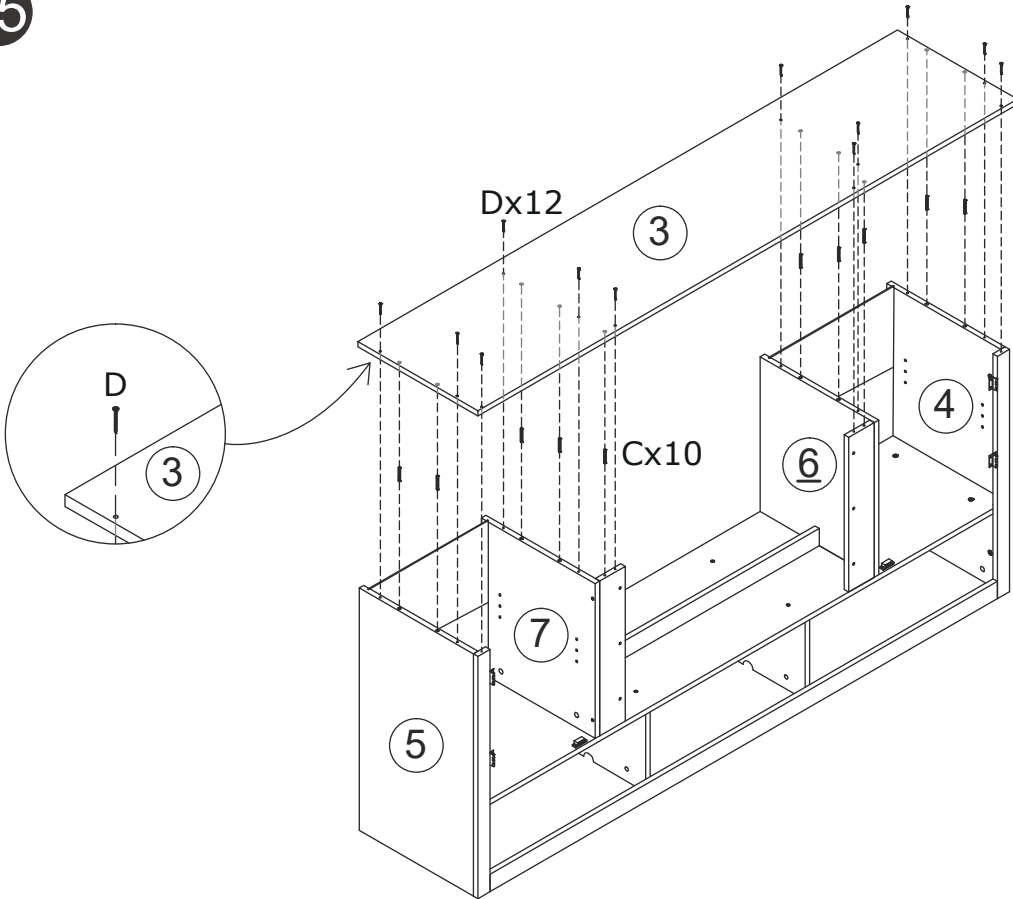
13



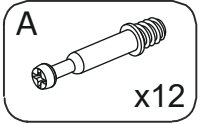
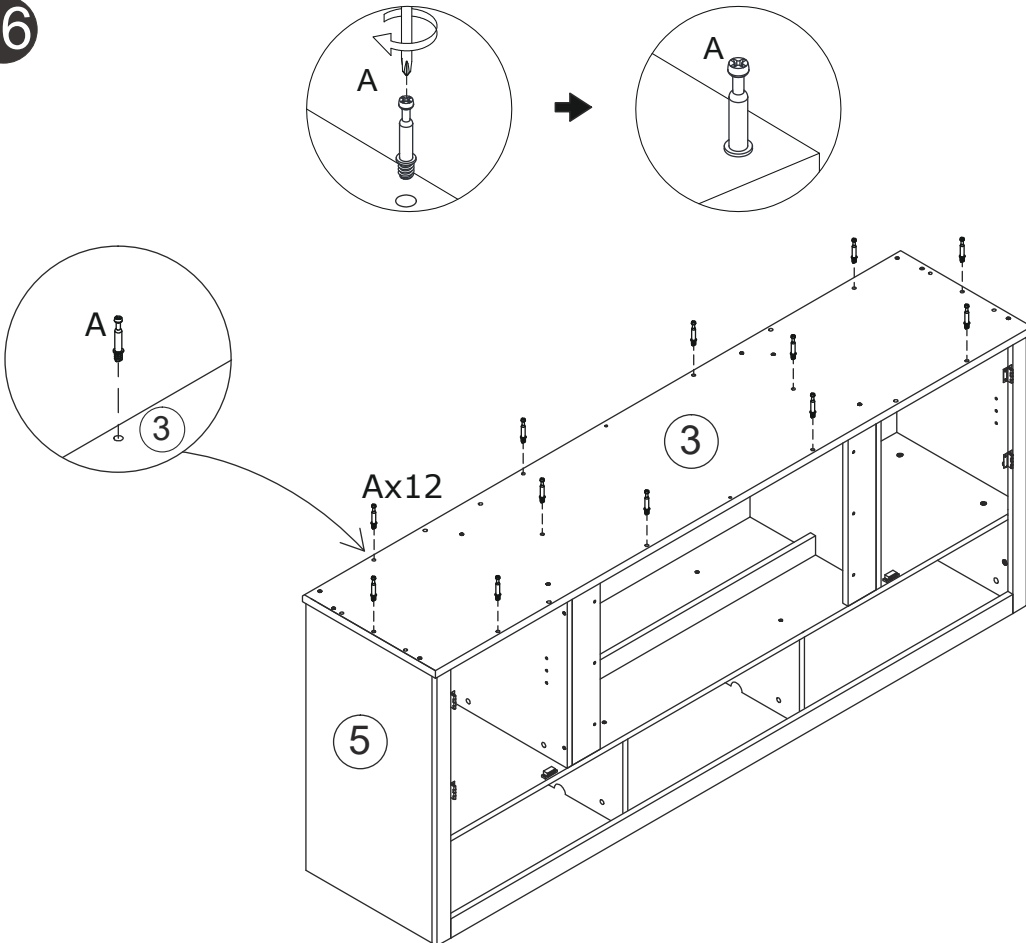
14



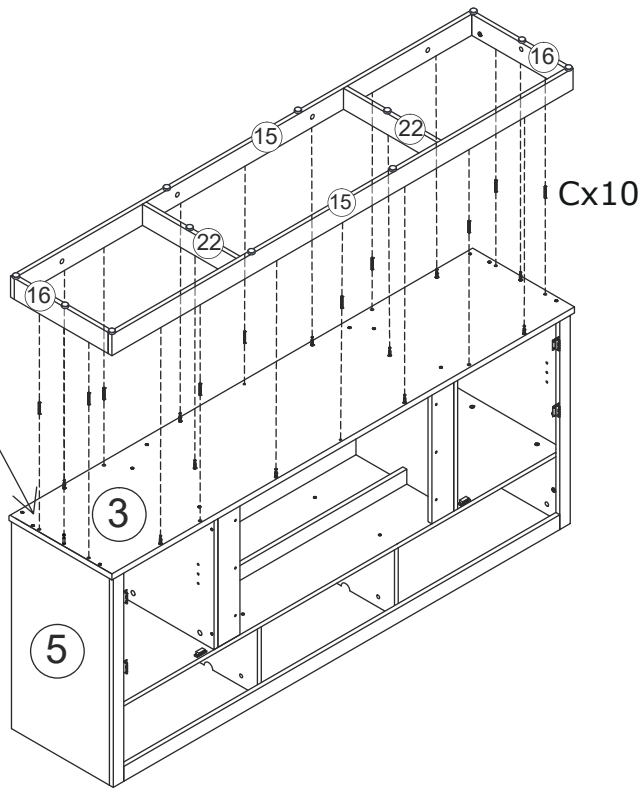
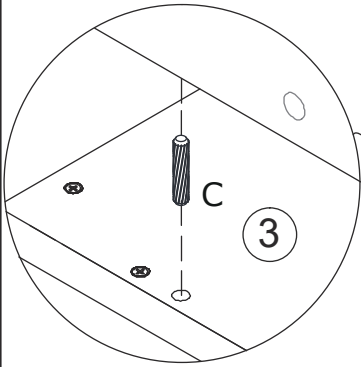
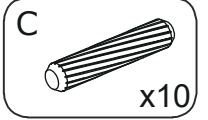
15



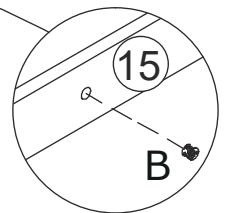
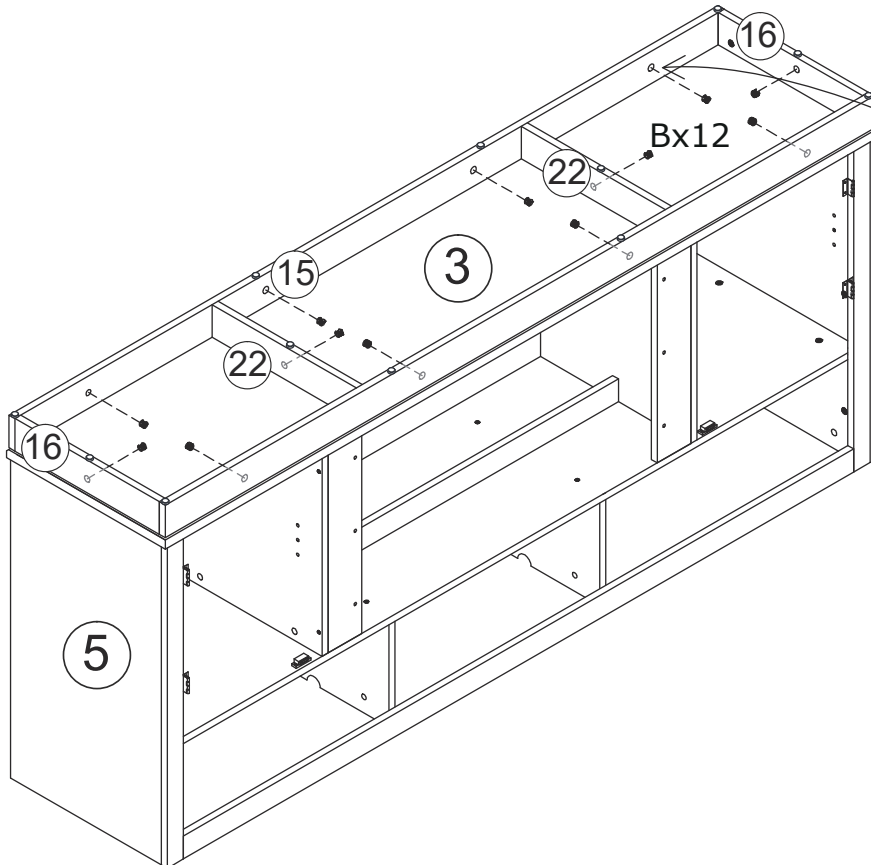
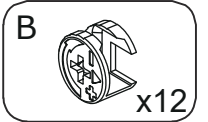
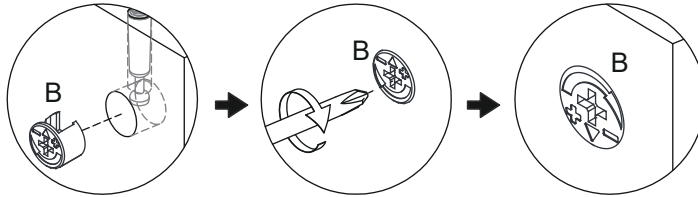
16

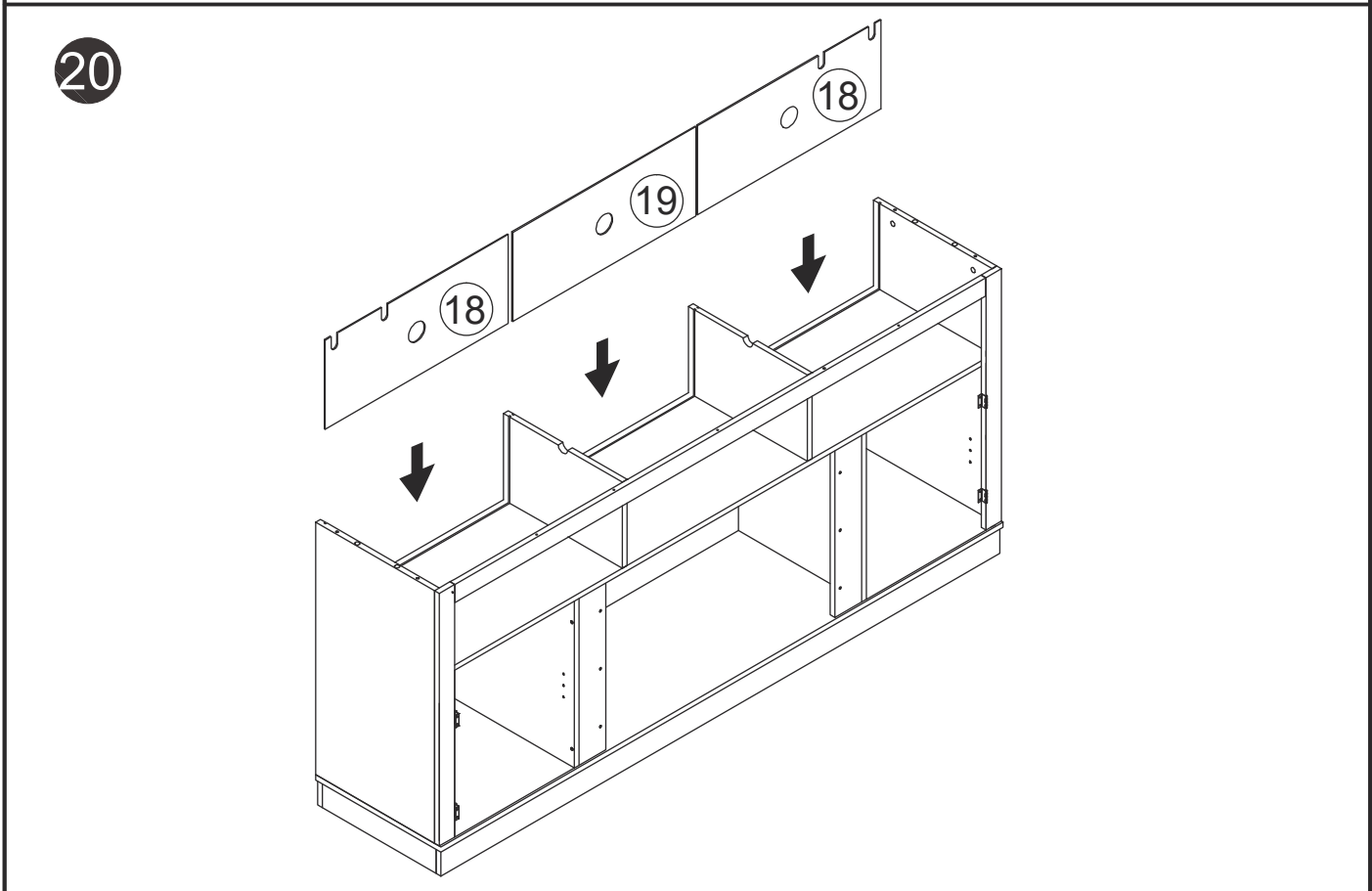
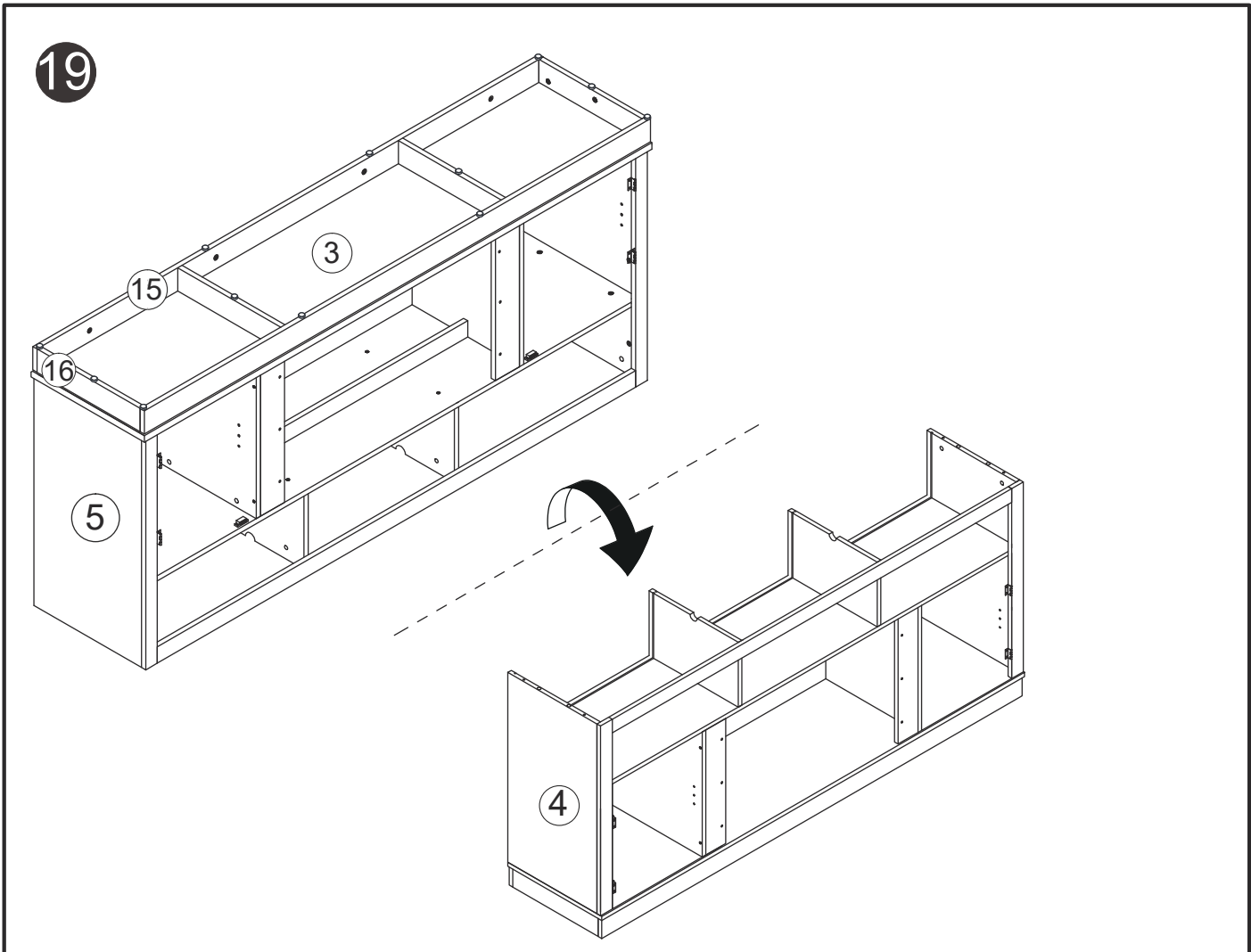


17

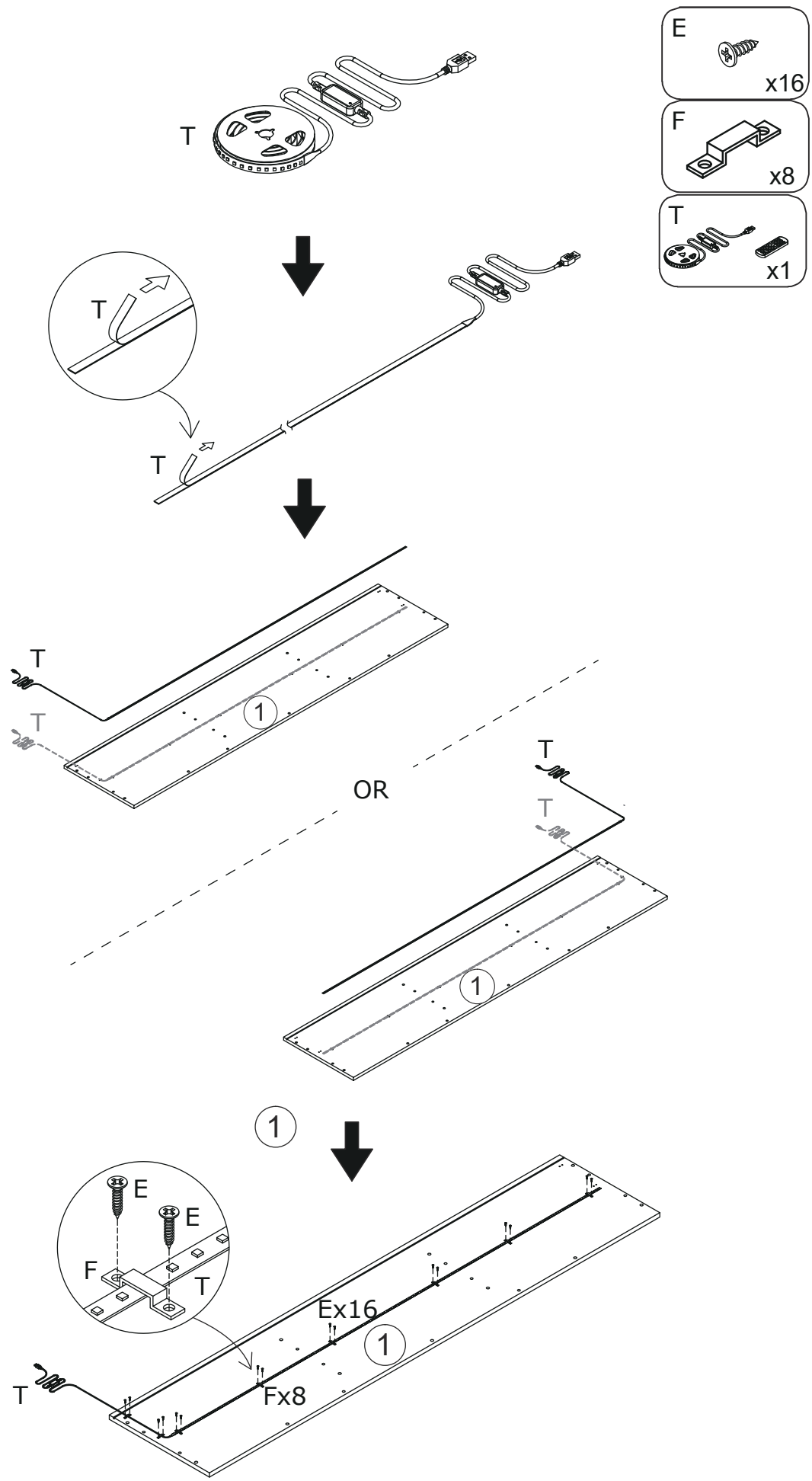


18

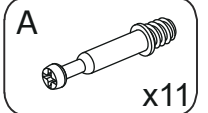
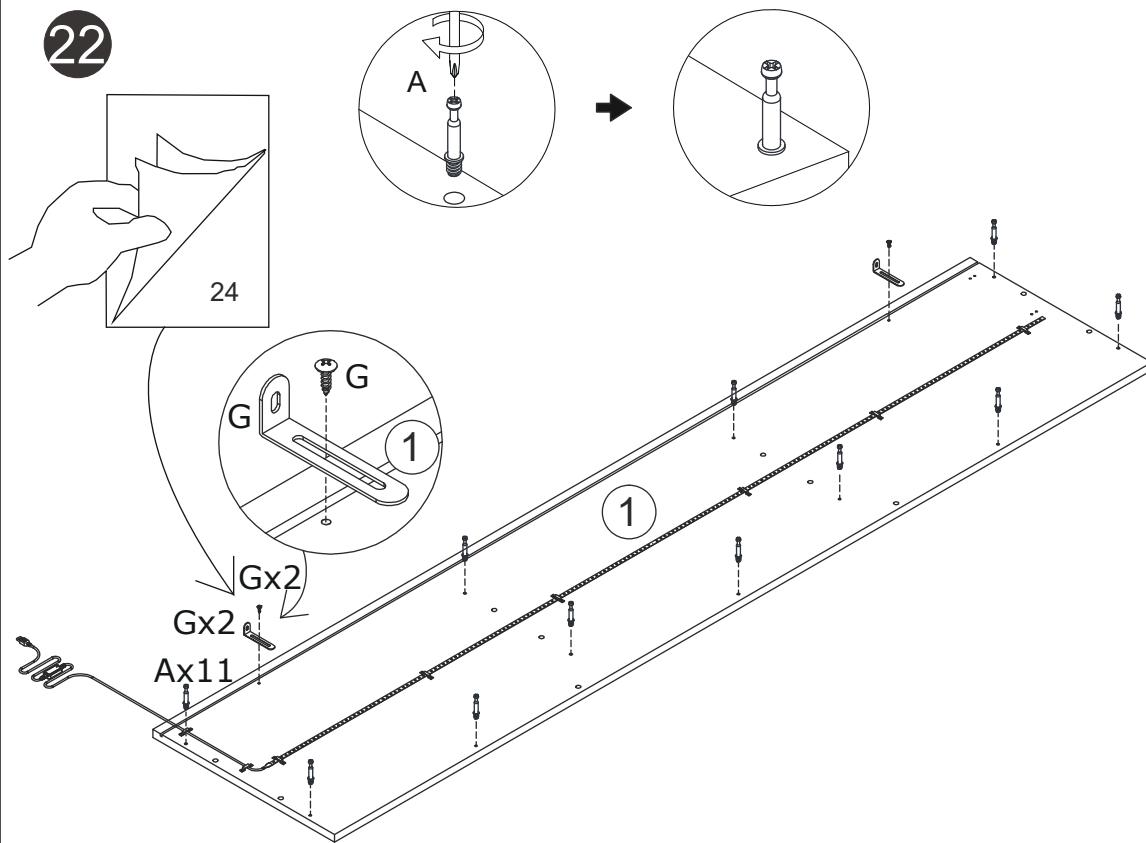




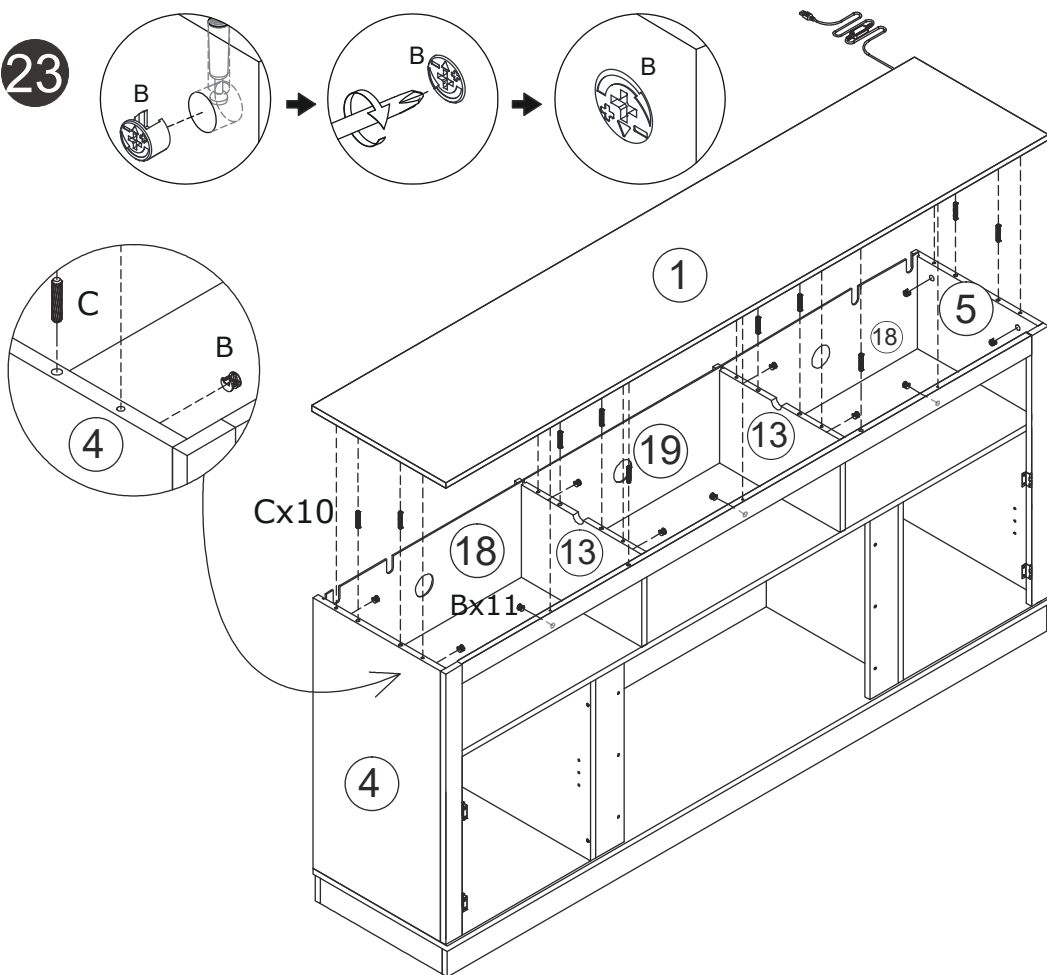
21



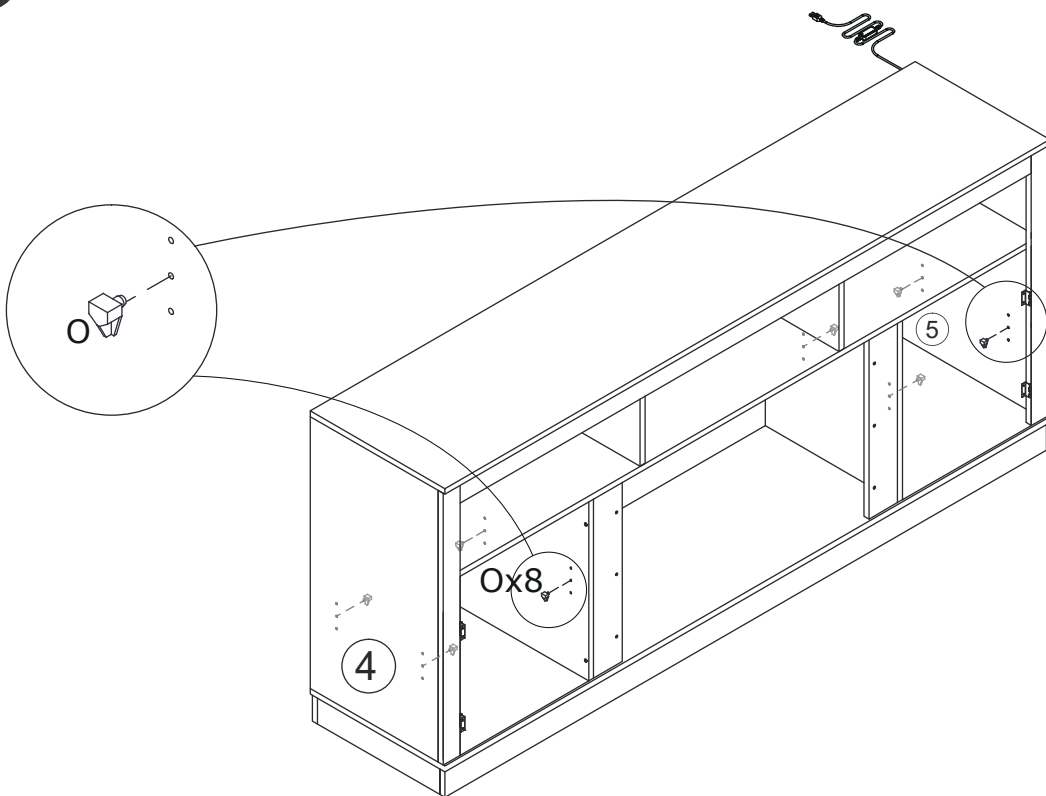
22



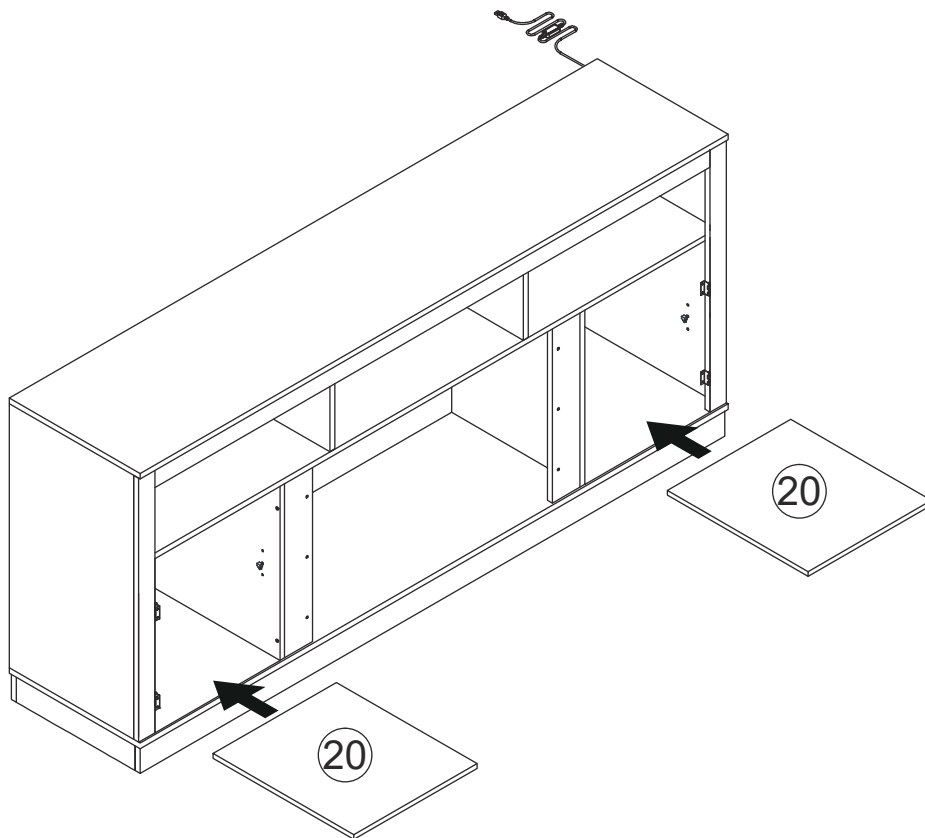
23



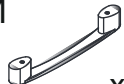
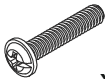

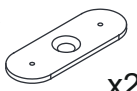
24

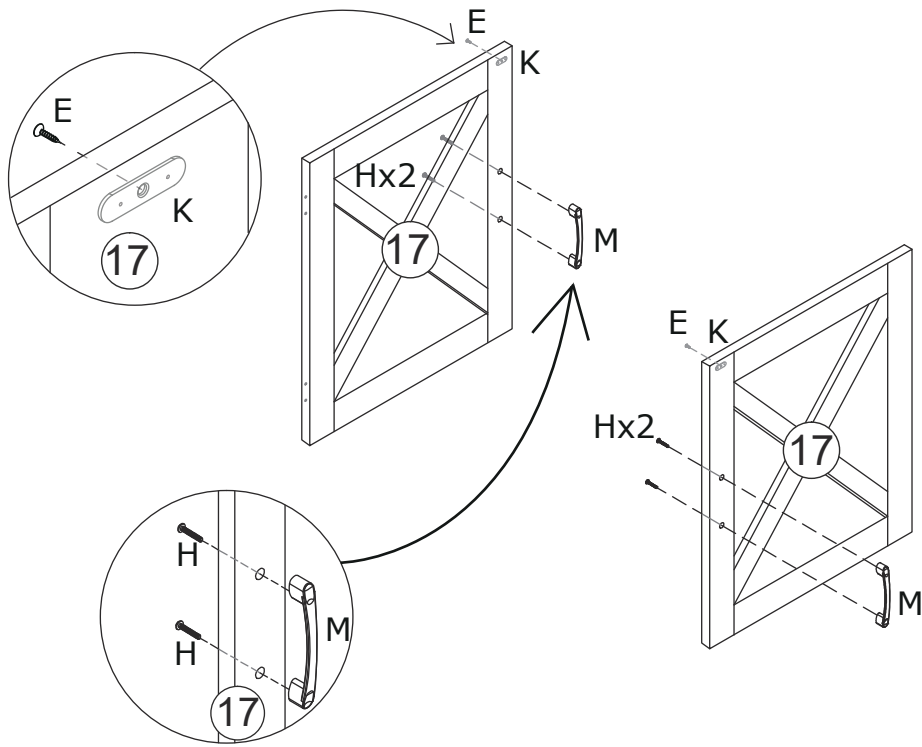


25




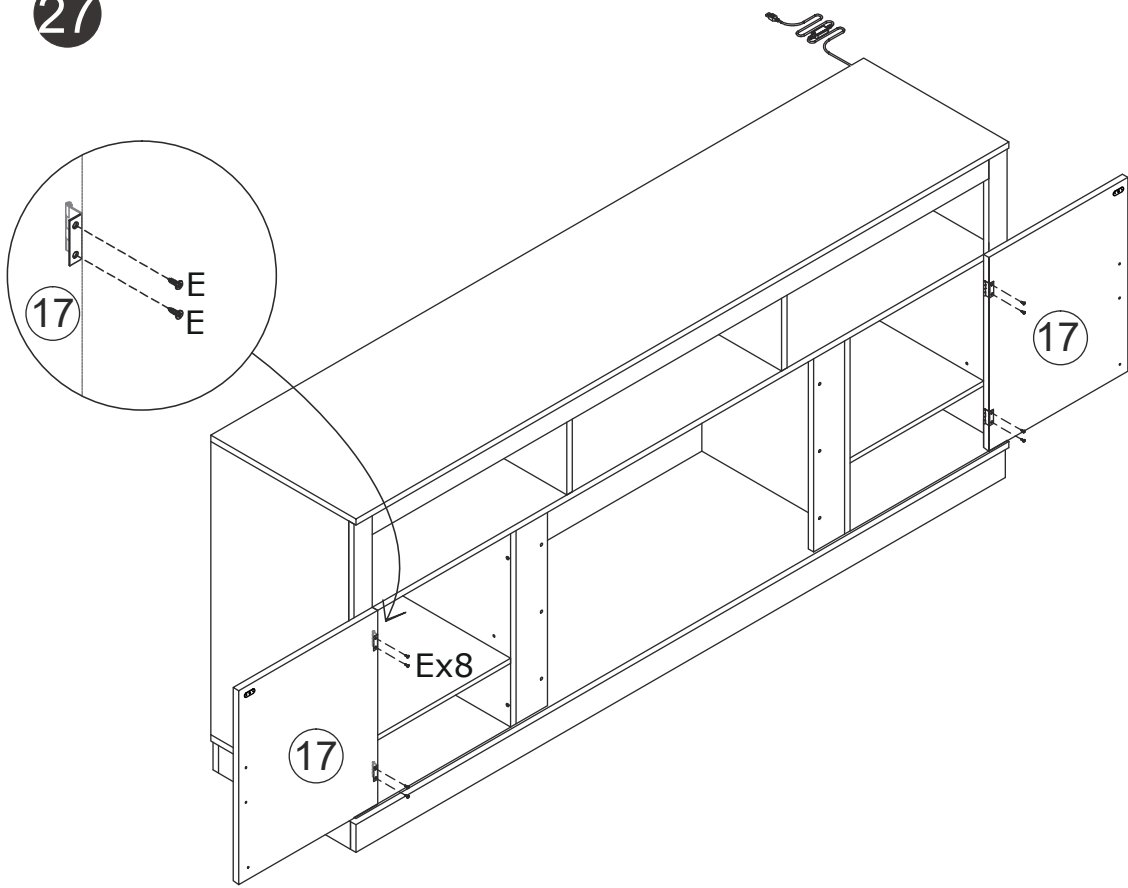
26

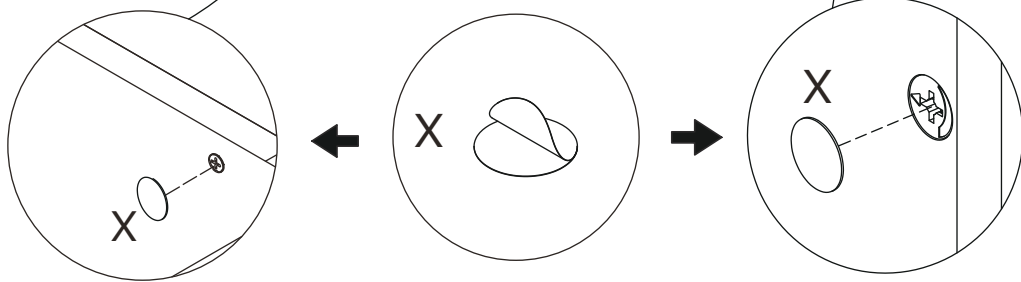
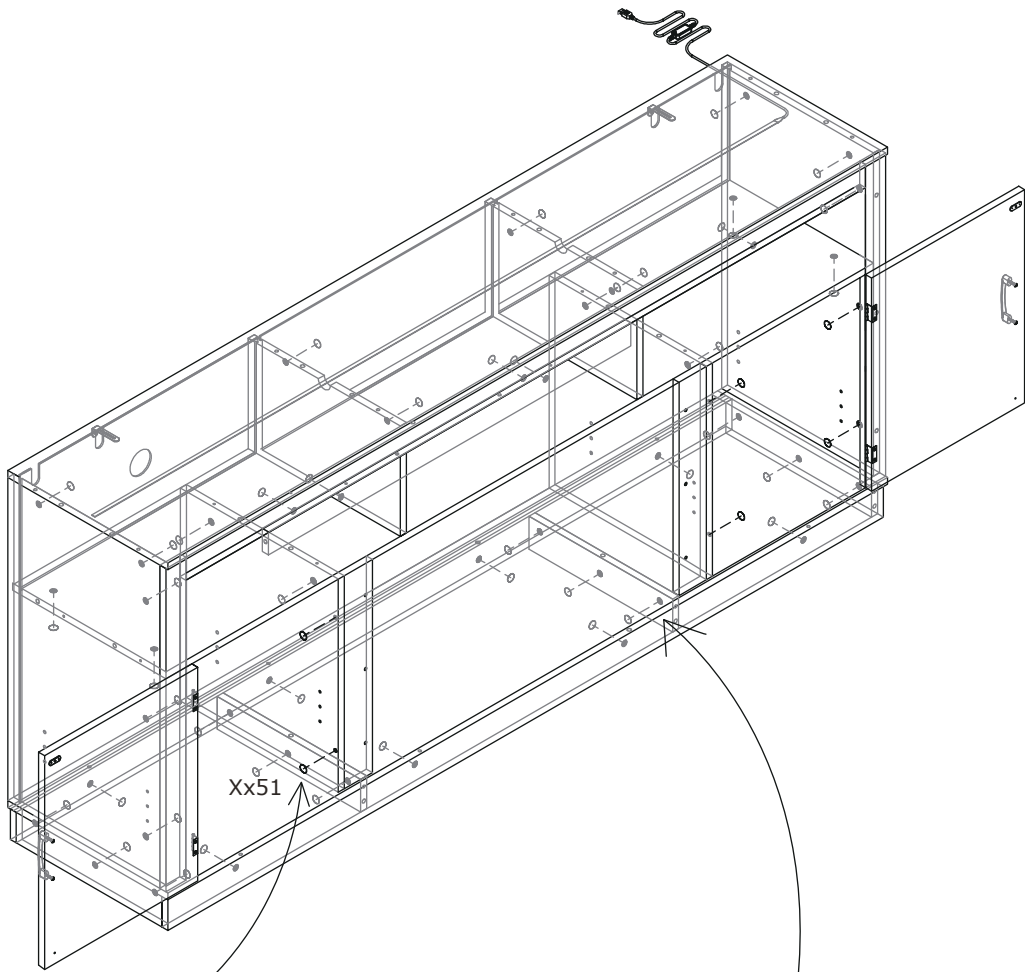
- M  x2
- H  x4
- E  x2
- K  x2



27

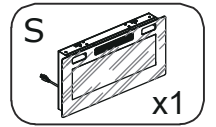
- E  x8



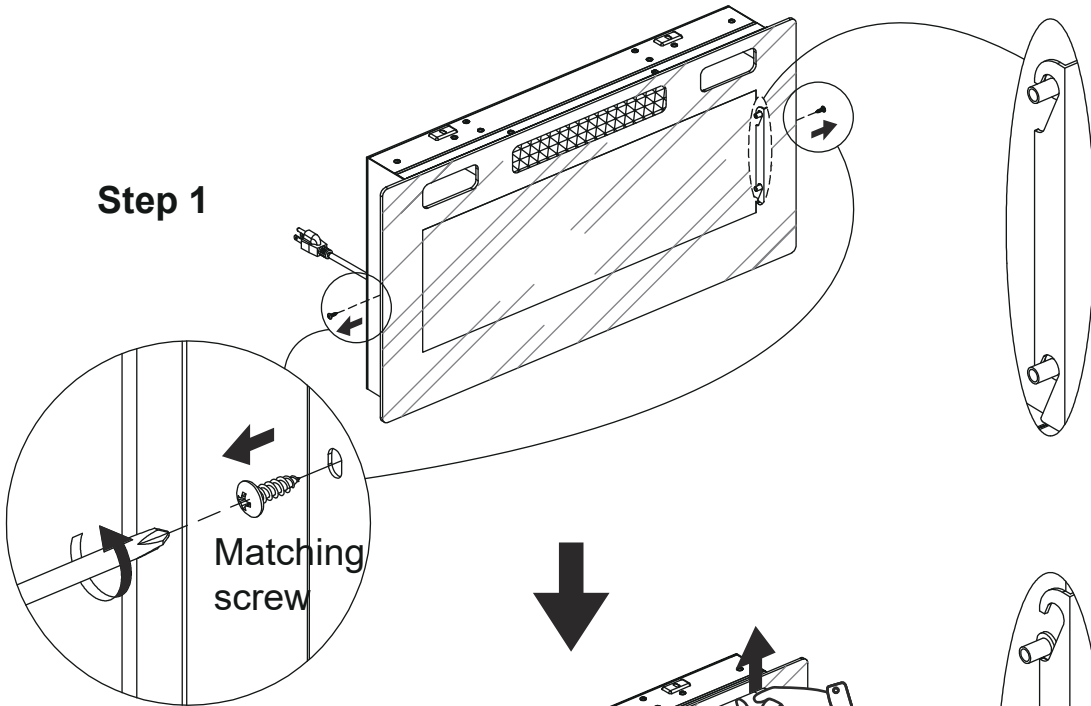


29

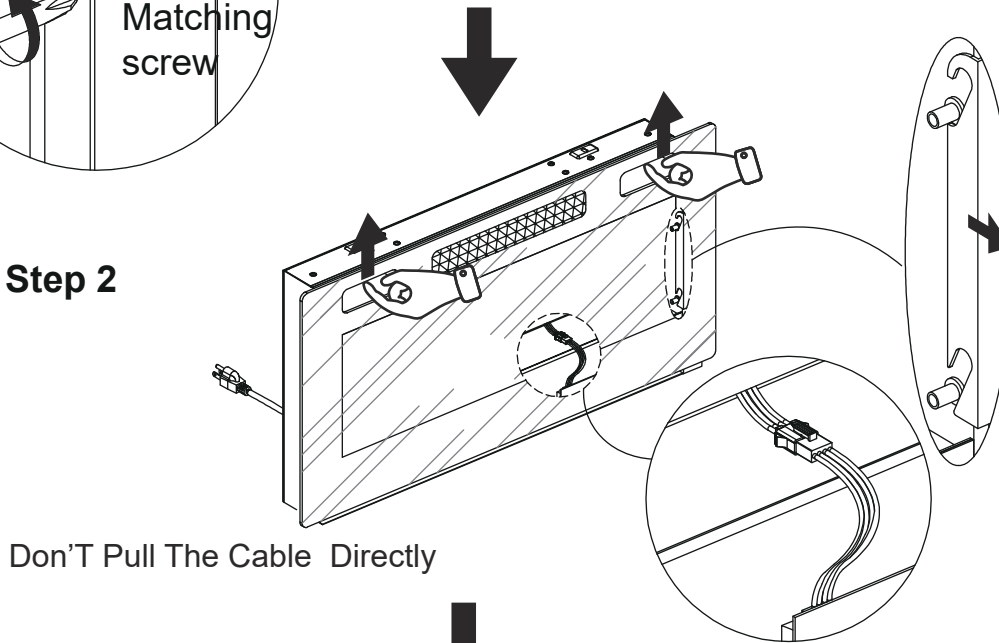
If you have not purchased a fireplace please skip to step 35 to install it.



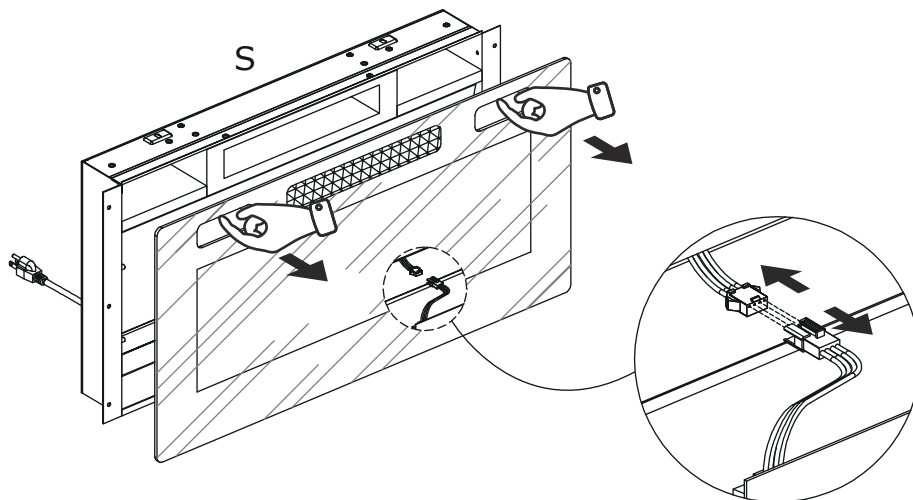
Step 1



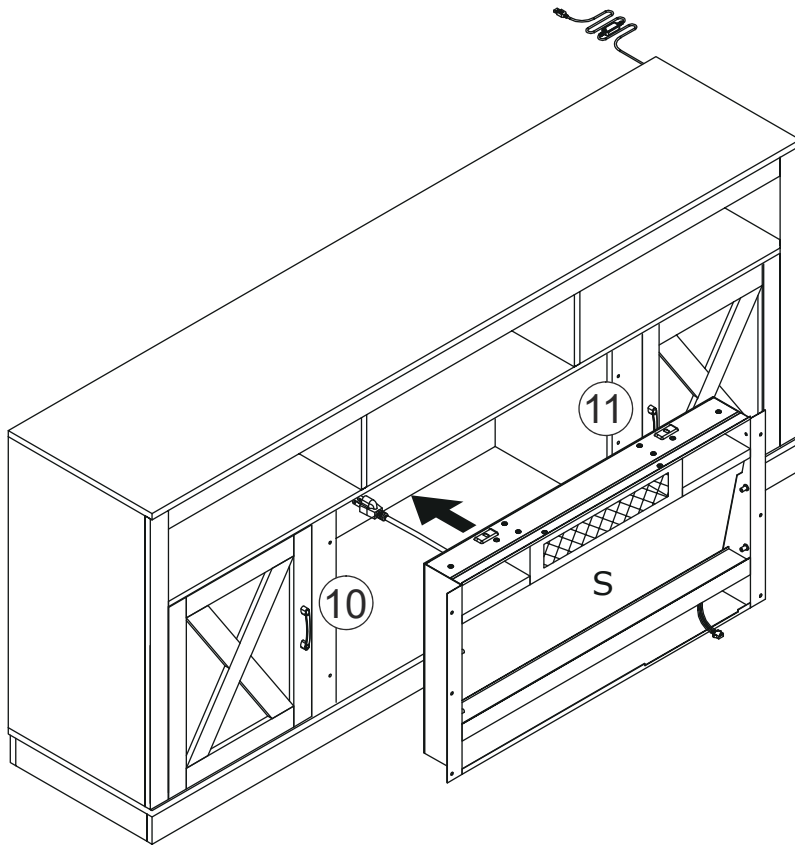
Step 2



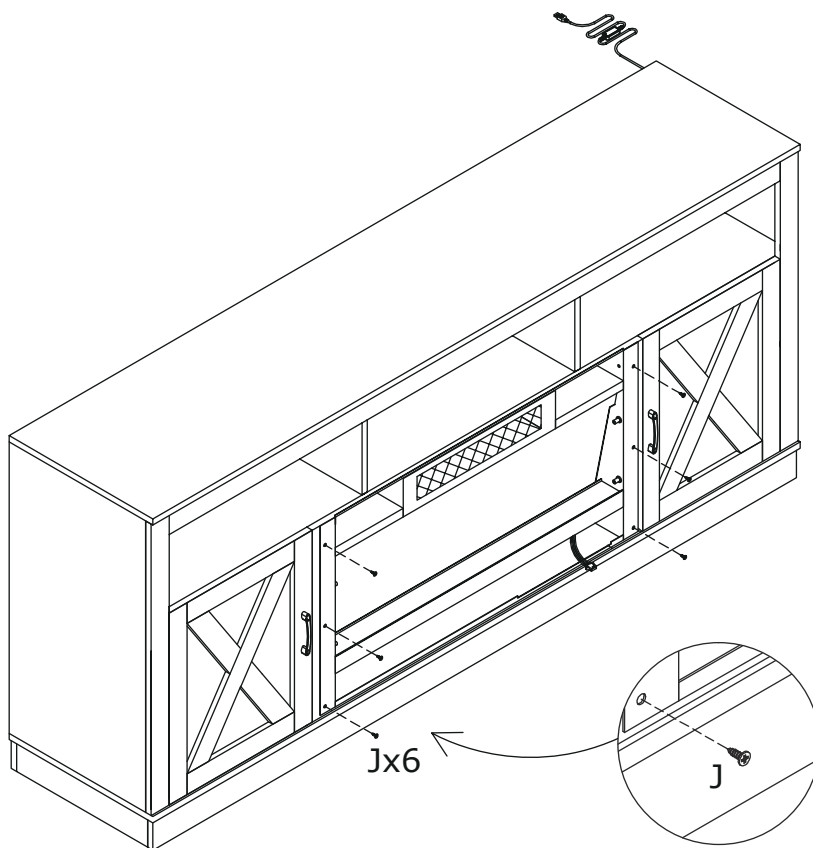
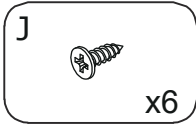
Step 3



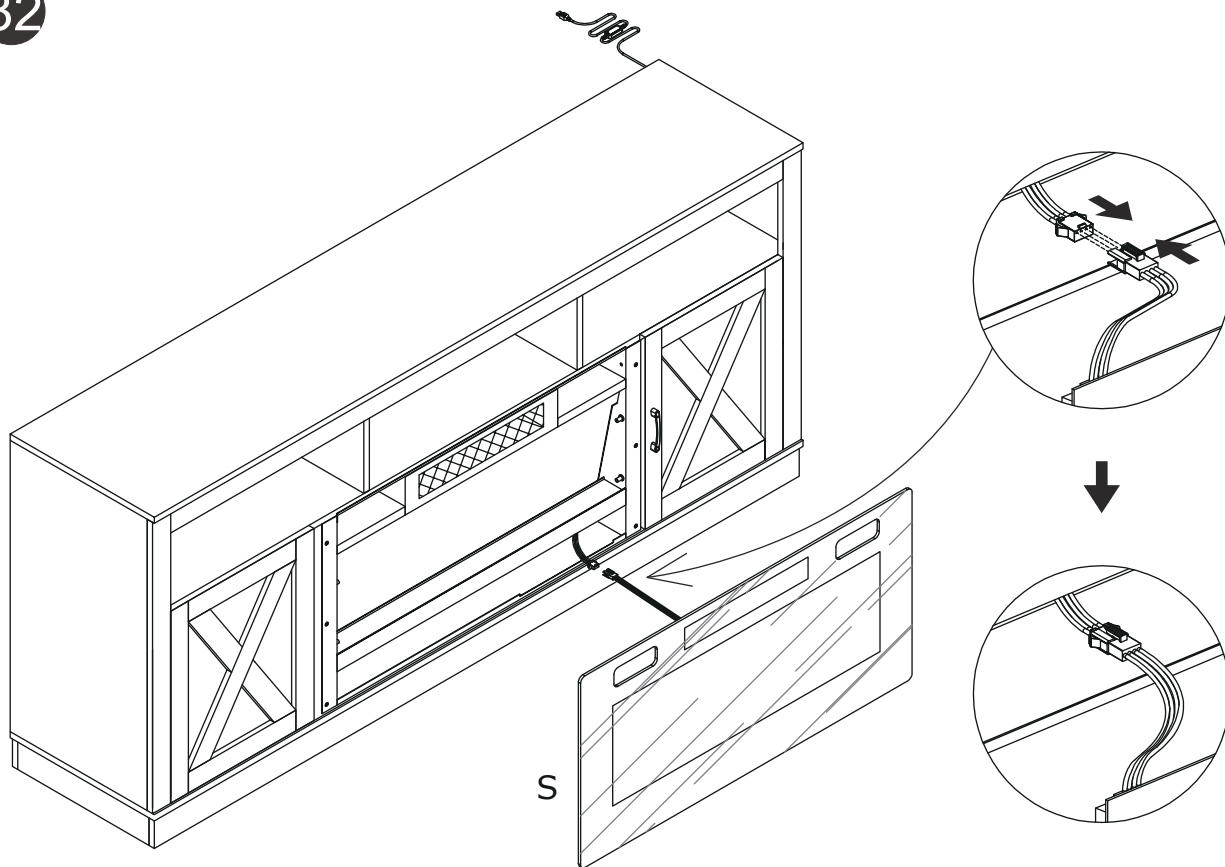
30



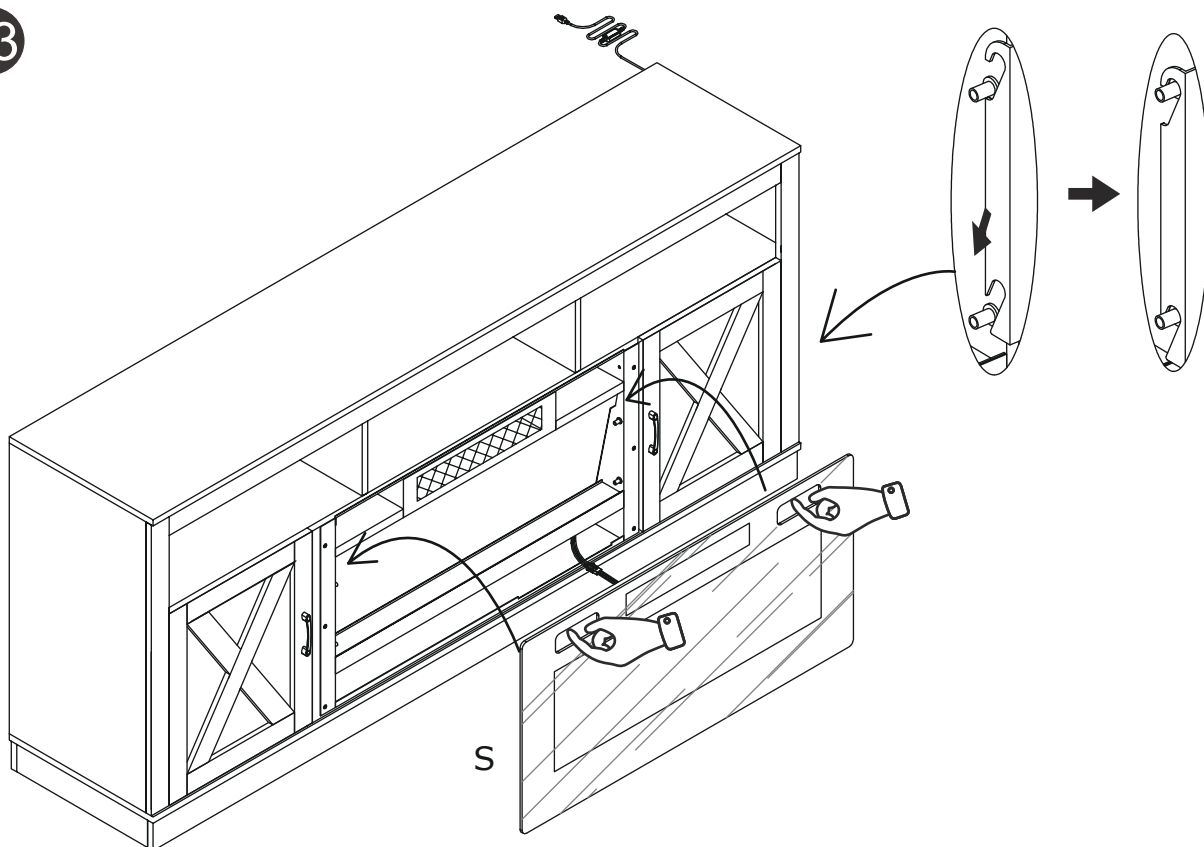
31



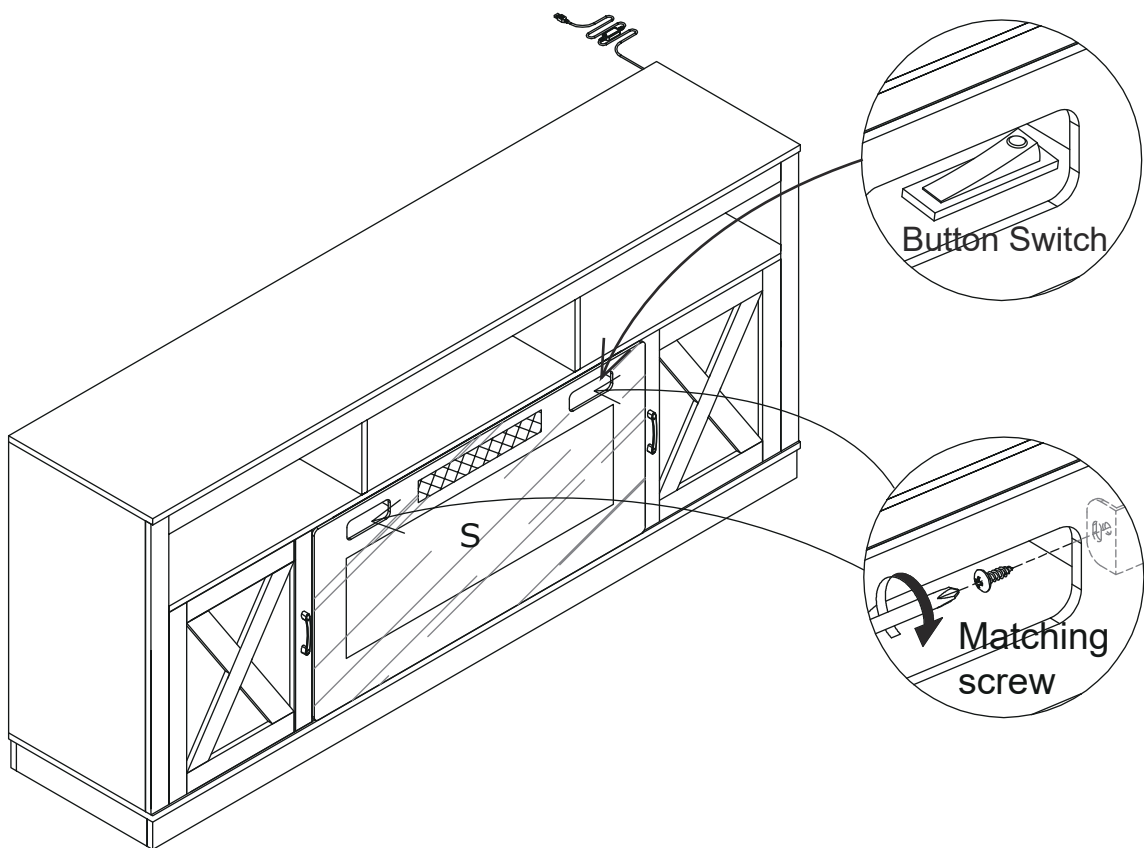
32



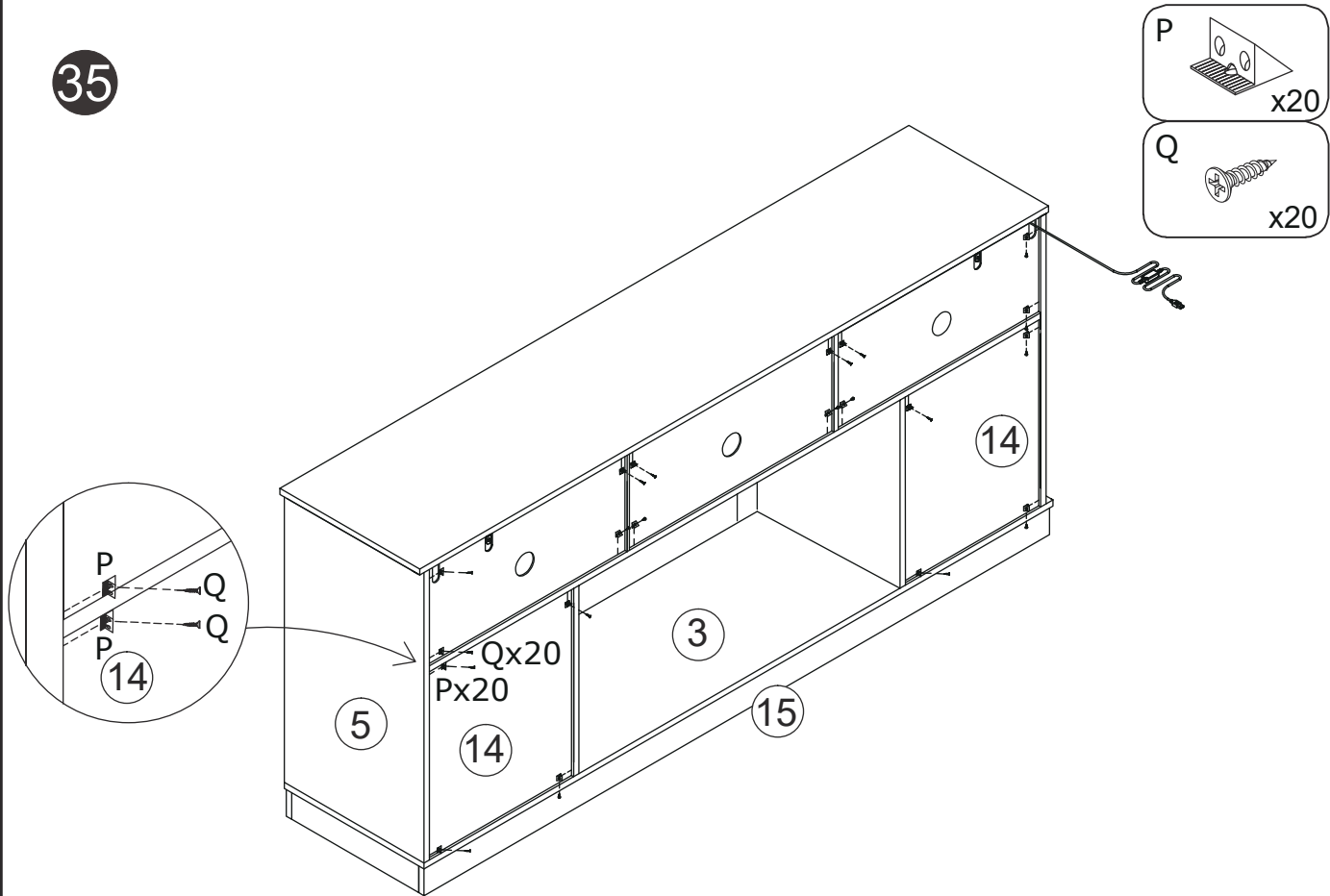
33

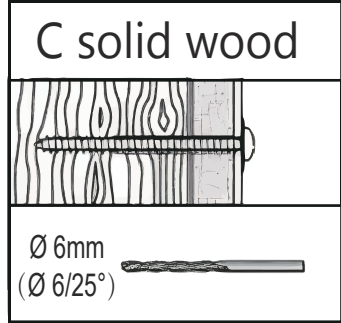
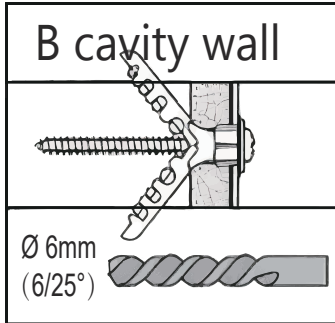
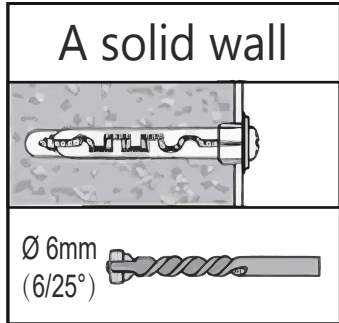
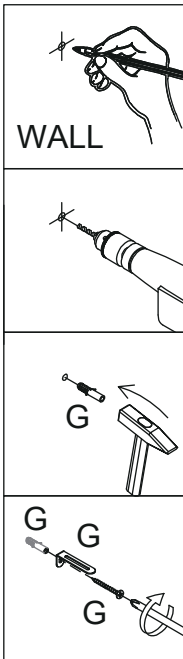
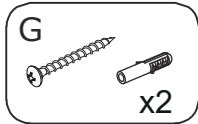


34



35





⚠ Warning: If you overturn the furniture, it may cause serious or fatal crushing injuries. We have a wall connection device attached, please use it to hold the furniture following these instructions.

1. Mark the corresponding hole positions where you want to place the furniture;
2. Use a impact drill to drill holes and pay attention to avoid wires and water pipes;
3. Knock the expansion pipes into the wall holes;
4. Place the furniture in the corresponding position and tighten the wall connection device with screws.

