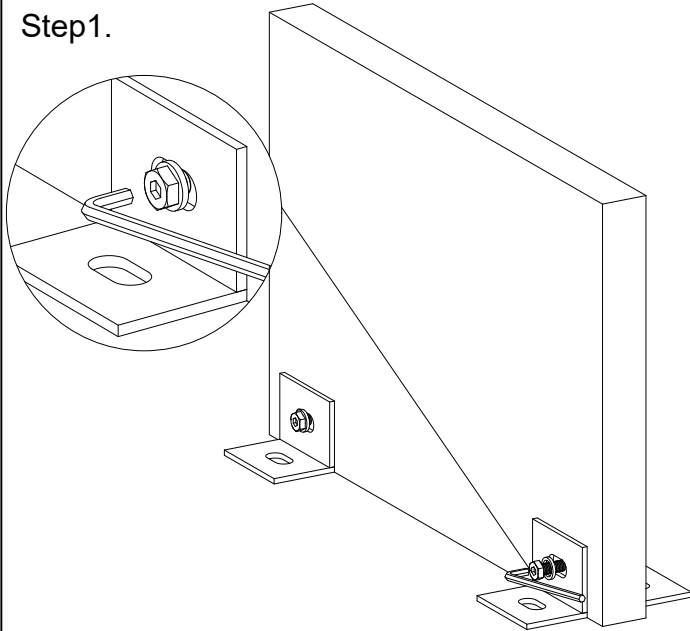
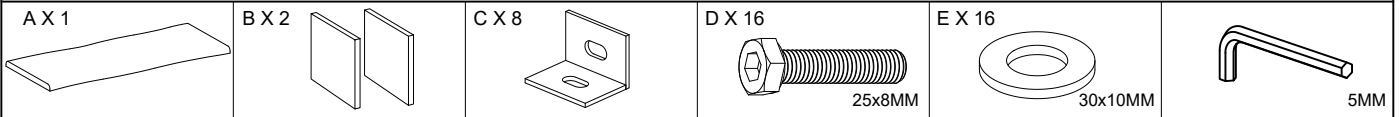
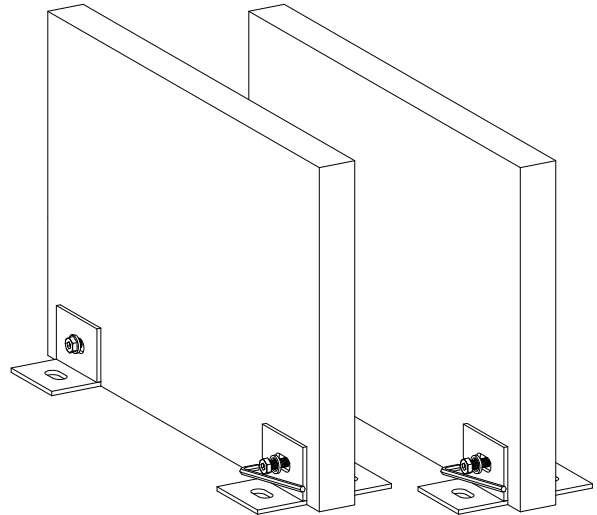


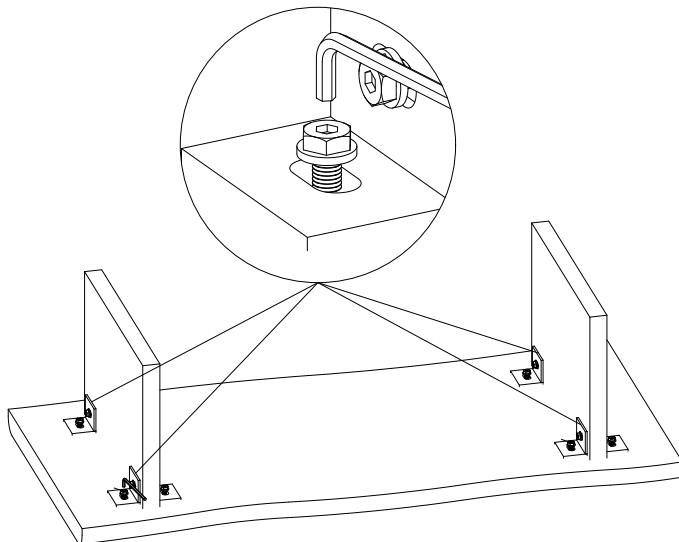
# ASSEMBLY INSTRUCTIONS FOR COFFEE TABLE



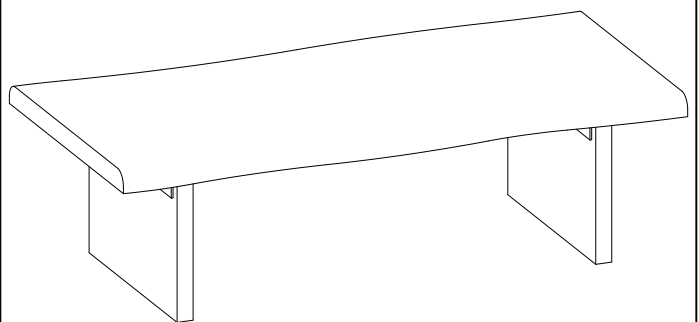
**Step 2 - Fasten all iron plate to legs.**



**Step 3 - Fasten the legs to the top and tighten all the bolts.**



**Step 4 - Your product is now ready for use. If it is shaking please tighten the bolts.**



## Care Instructions

Wipe with a soft, dry cloth. To protect finish, avoid the use of chemicals and household cleaners. Any liquid spilled onto the table should be cleaned up immediately with a damp cloth. Avoid keeping the product in direct sunlight.