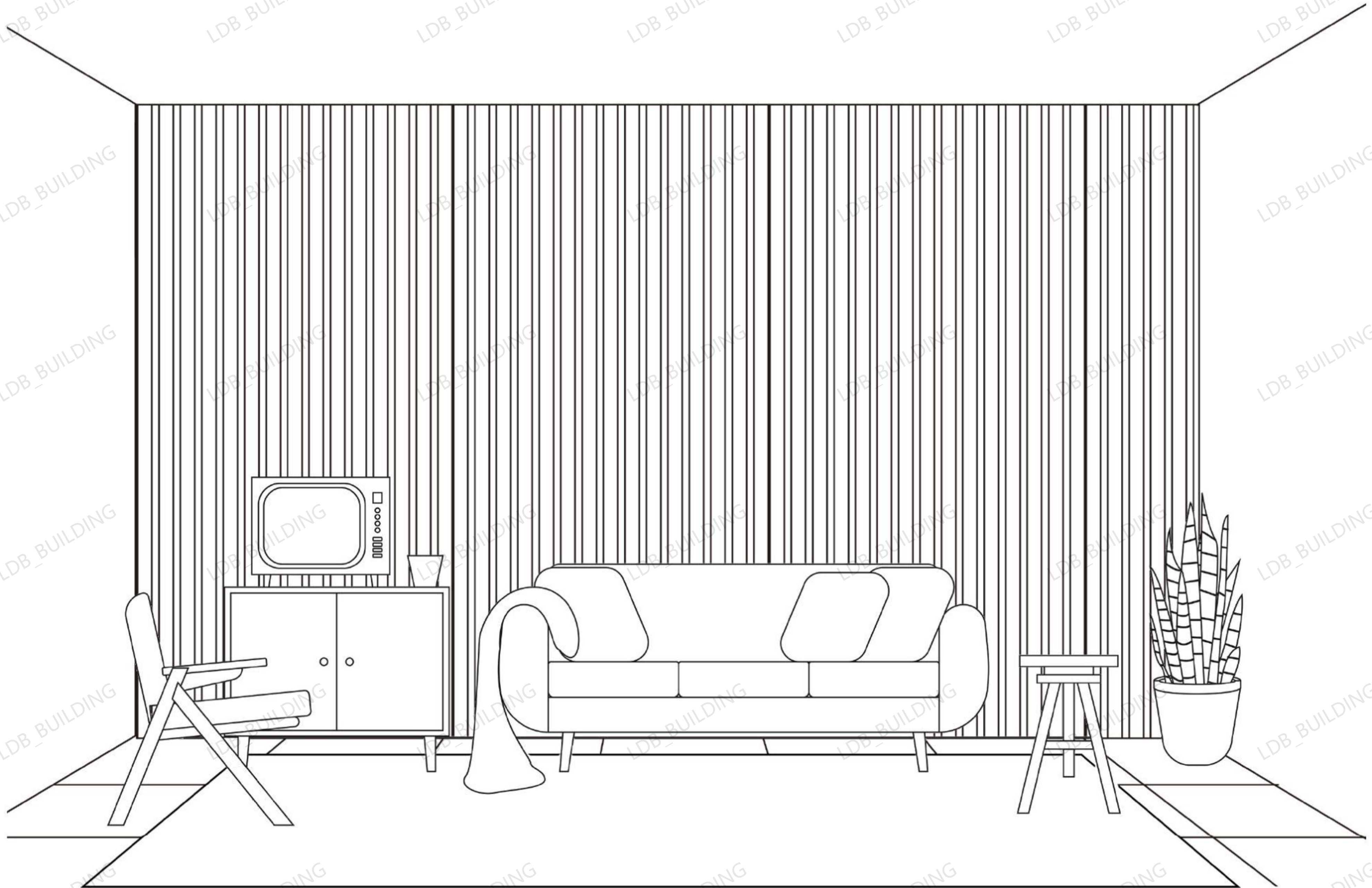


# Wood Slat Wall Panels Installation Instruction



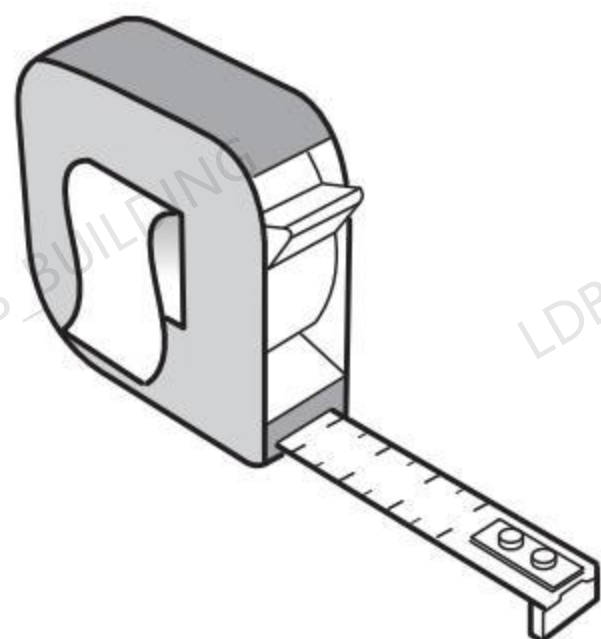
## BEFORE INSTALLATION

1. Remove any screws, nails or other fixtures from your wall.
2. Make sure your wall is clean, smooth and level.
3. Unbox all your packages and check the panels.
4. Decide on your layout and cut the panels to size if needed.

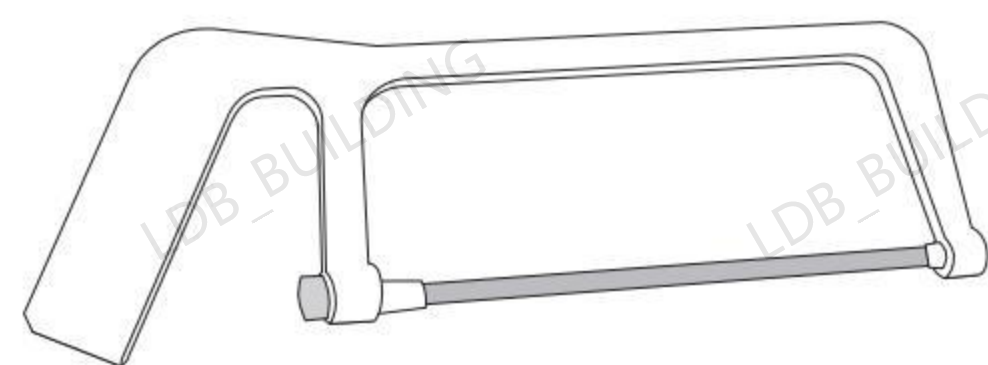
For installation help, please contact:  
[help@smartstandard.com](mailto:help@smartstandard.com)

## TOOLS NEEDED

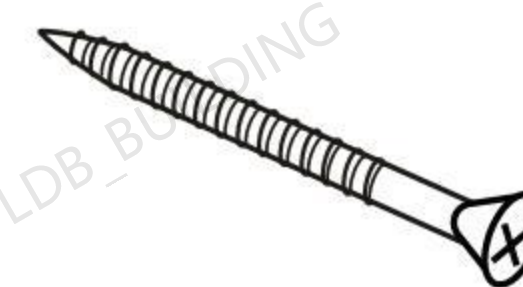
Measuring Tape



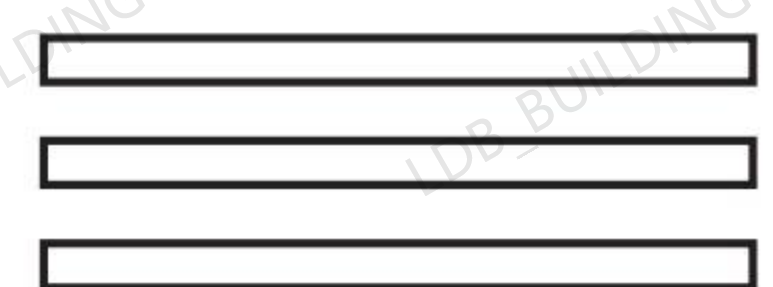
Fine-tooth or sharp saw



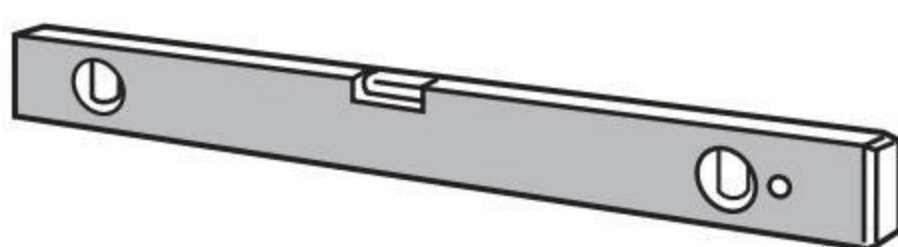
Black Screws



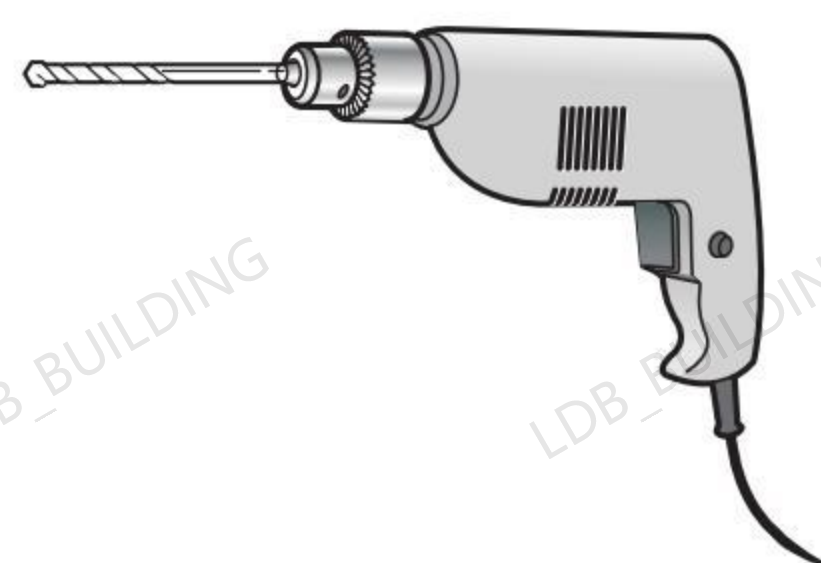
Battens (Optional)



Level



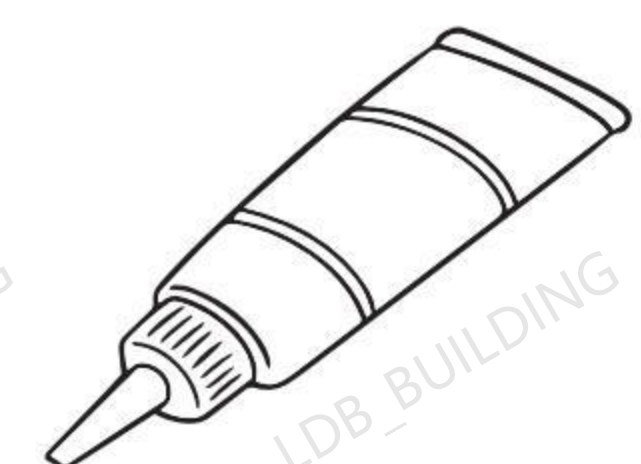
Head Drill



Finishing oil & Roller (Optional)



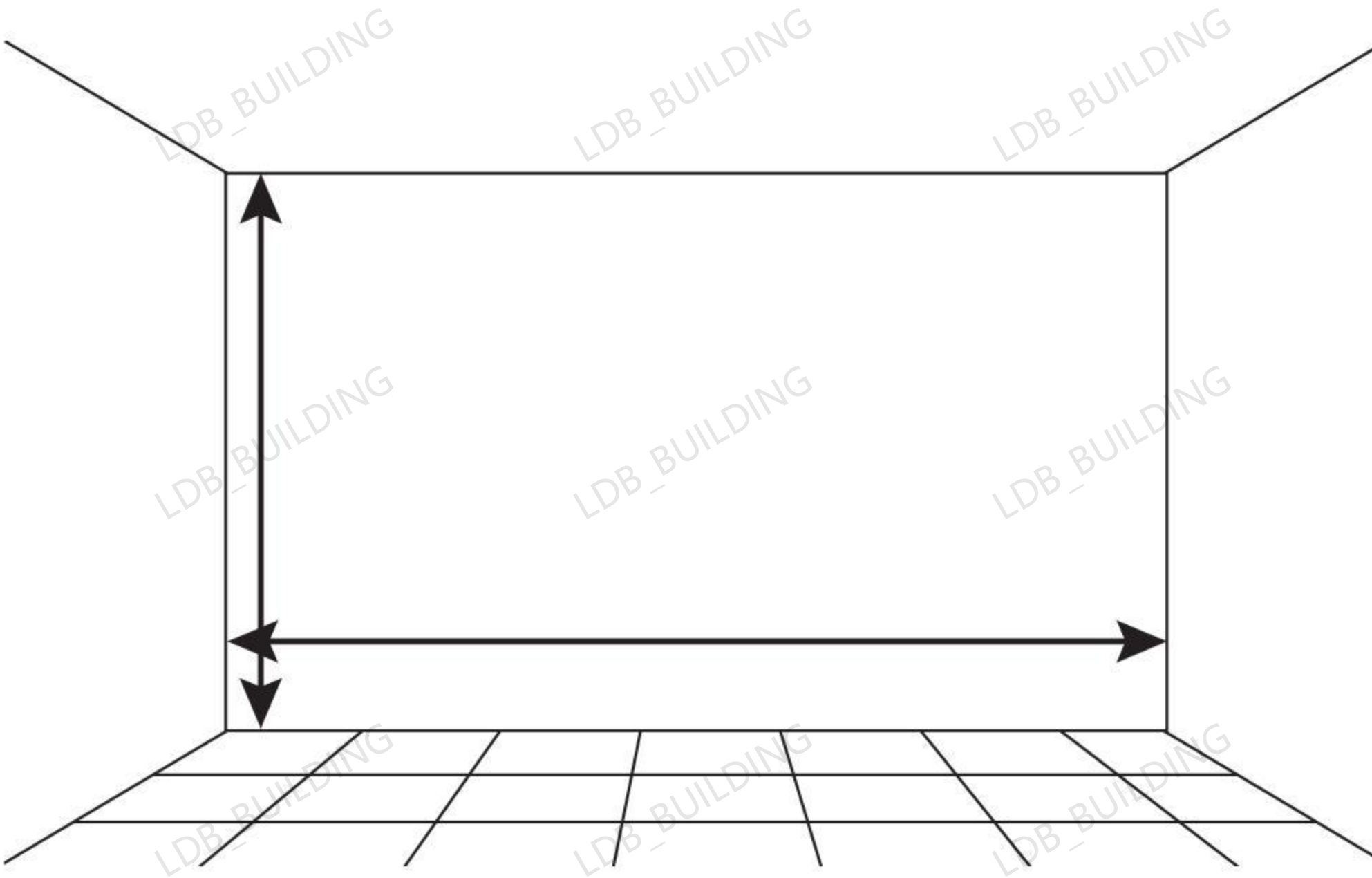
Grab Adhesive (Optional)



## INSTALLATION STEPS

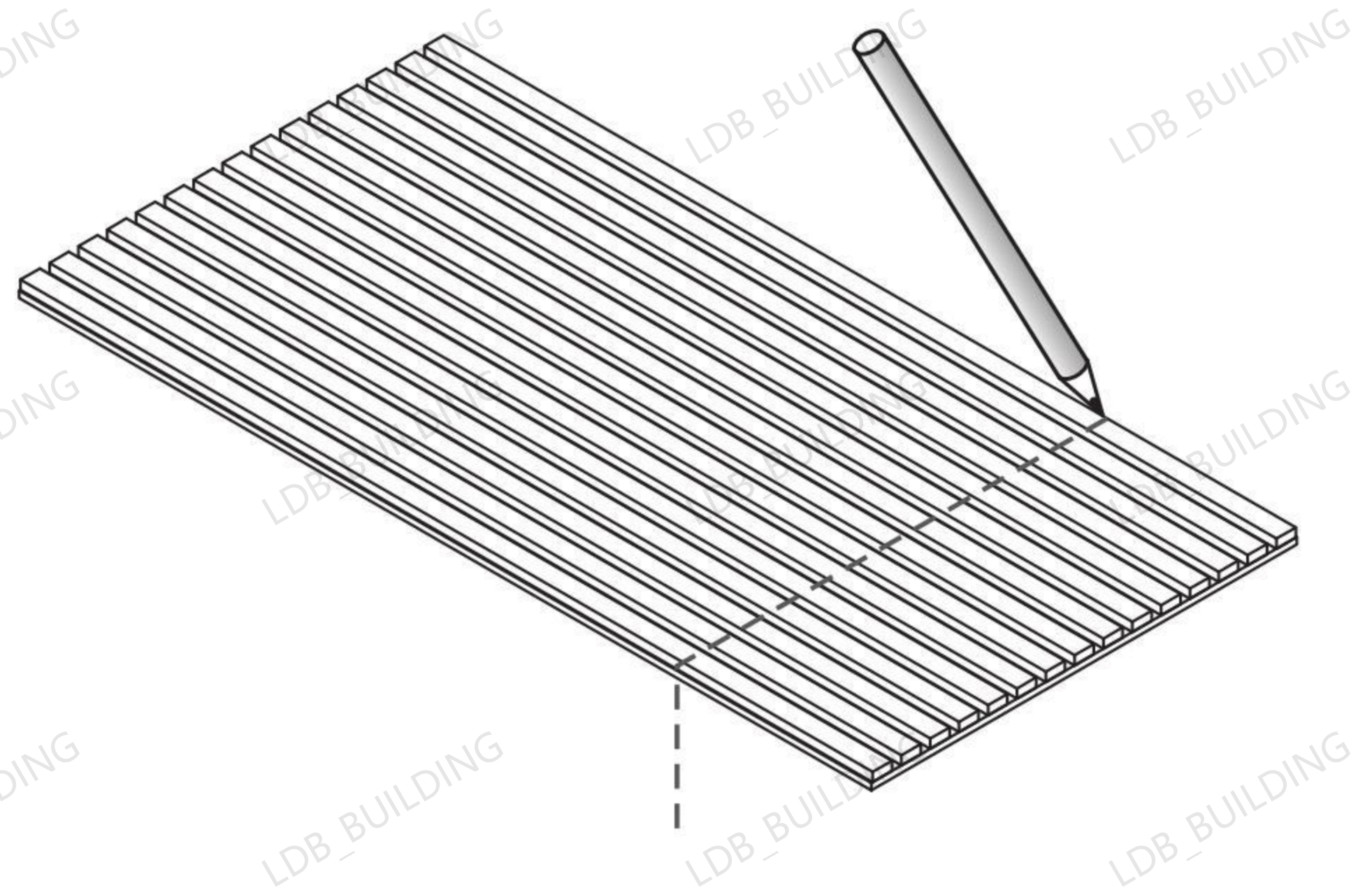
### Step 1

Measure the width and height of your wall.



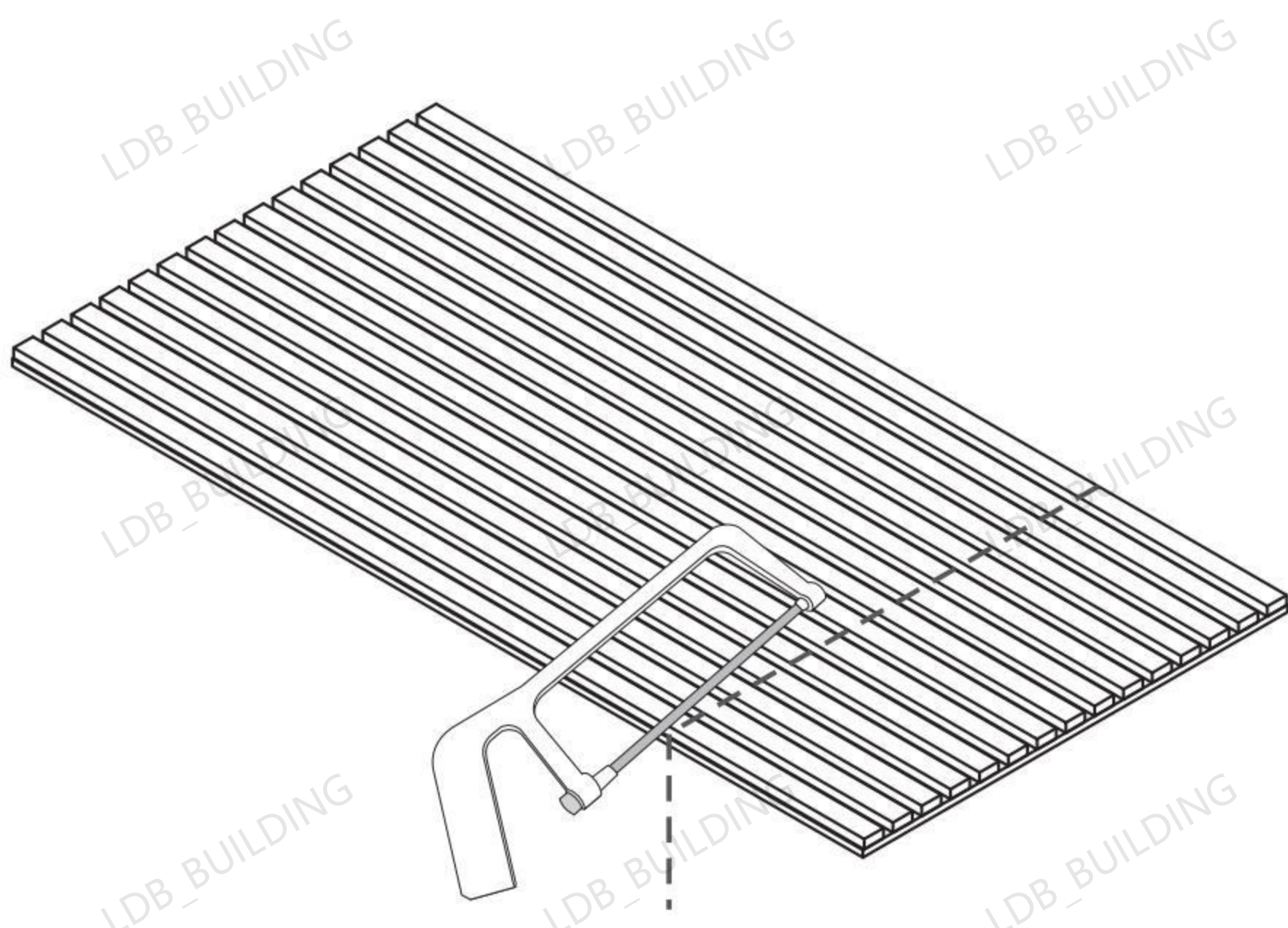
### Step 2

Measure where you want to cut, Mark a straight cutting line with a square tool and pencil.



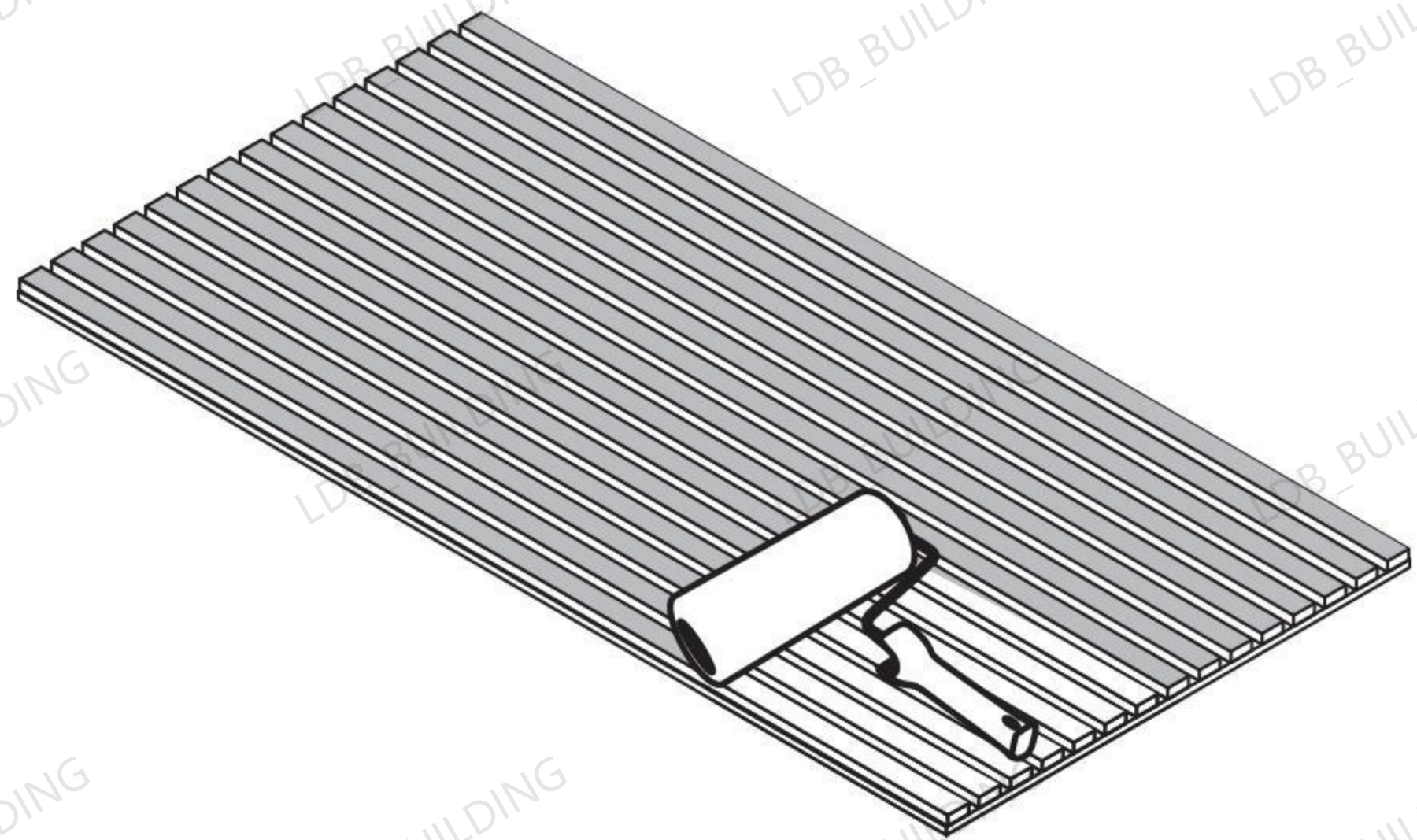
### Step 3

Cut the panel horizontally with a fine-toothed hand saw or cut the felt backing vertically with a sharp utility knife.



### Step 4 (Optional)

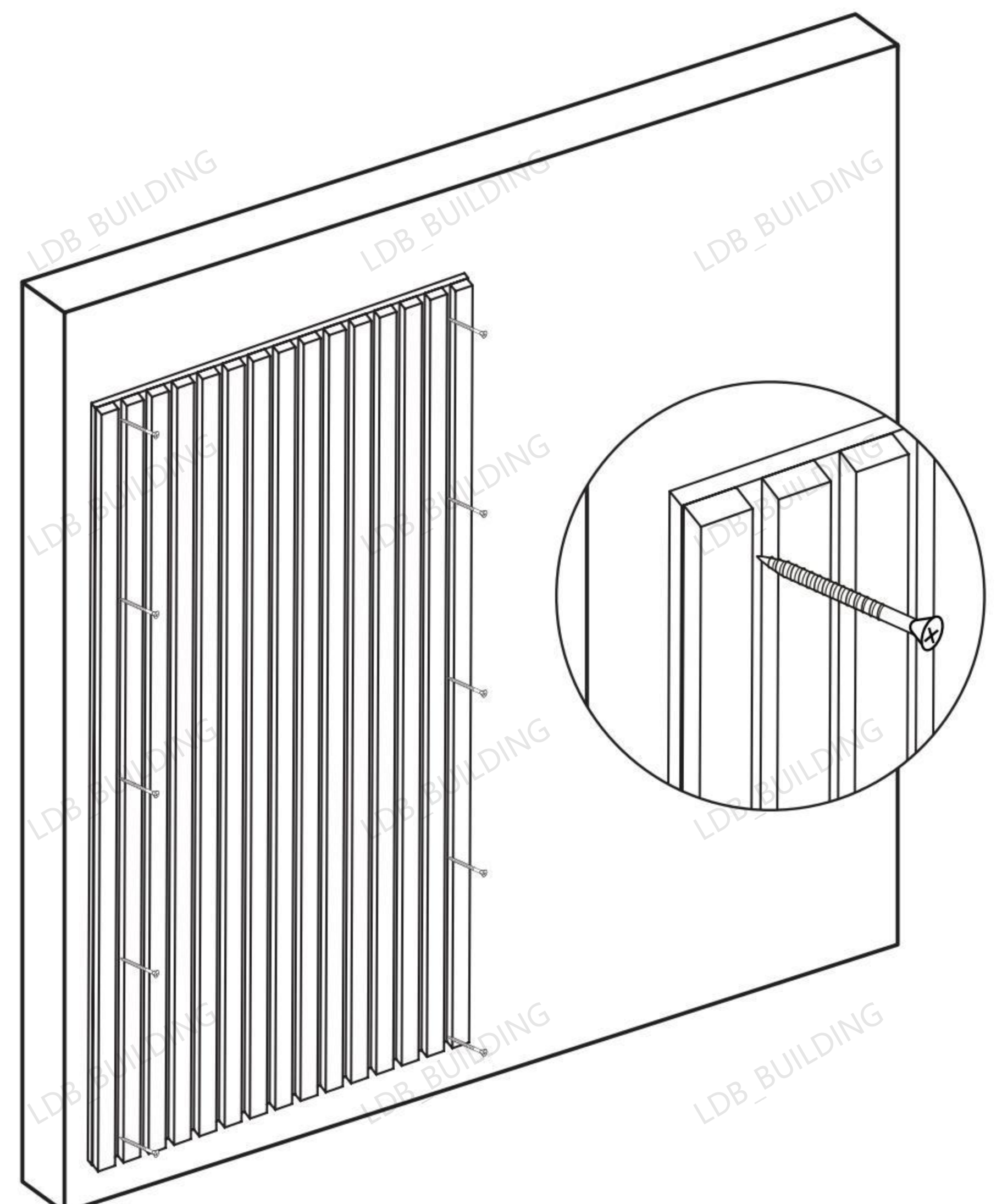
We recommend adding a protective finish to the panels if possible. Something like wood oil is perfect as it protects and keeps the natural look and feel of the wood. Once this is applied, light dusting or hovering will prevent any dust build-up. If you choose to keep the panels without a finish, then a dry cloth can wipe the panels down.



### Step 5 Attach the panels to the wall. (3 Optionals)

#### Option 1: Screwing directly into the wall

Hold the panels in place on the wall, then drill holes through the felt into the wall. Using black screws for the black backing.

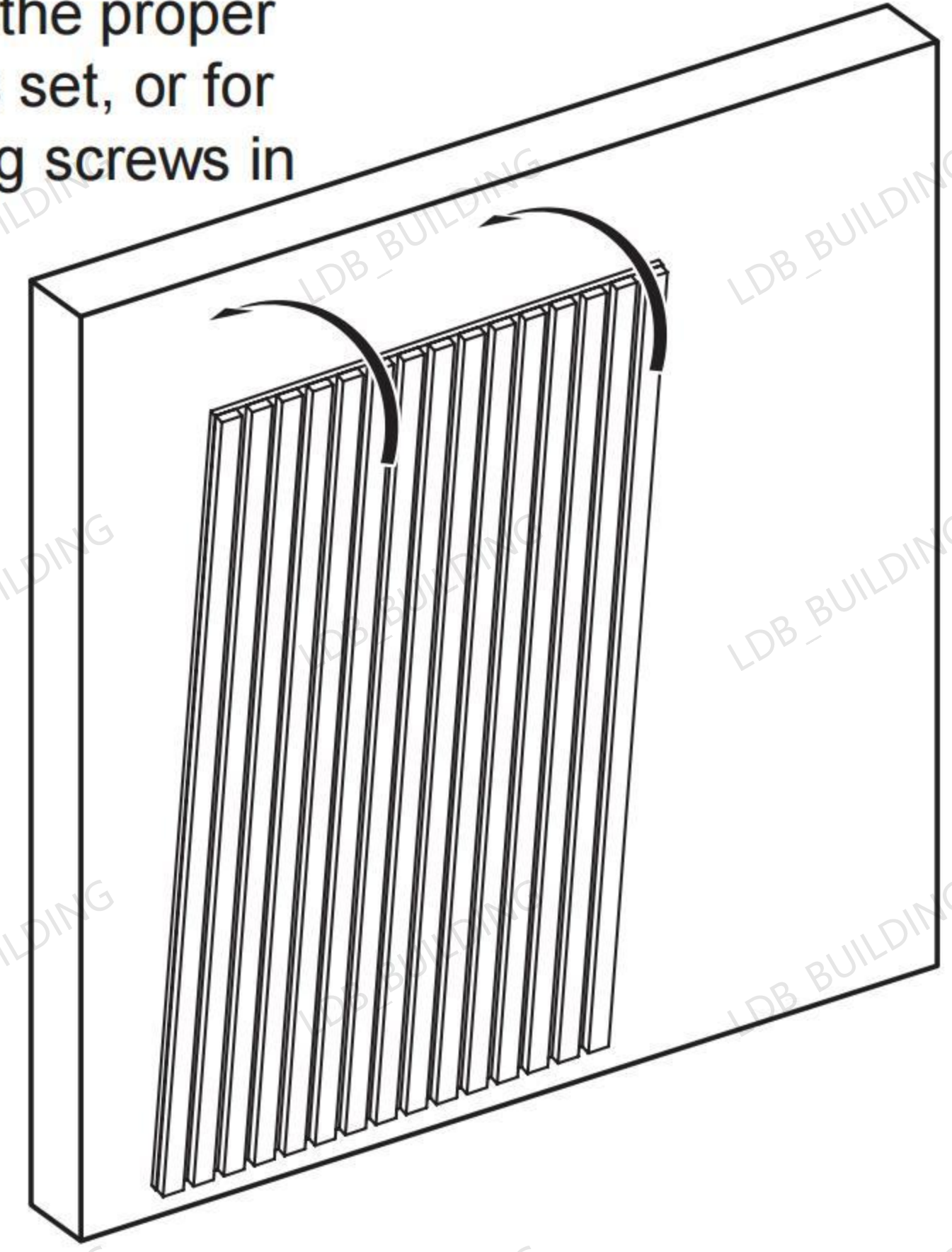
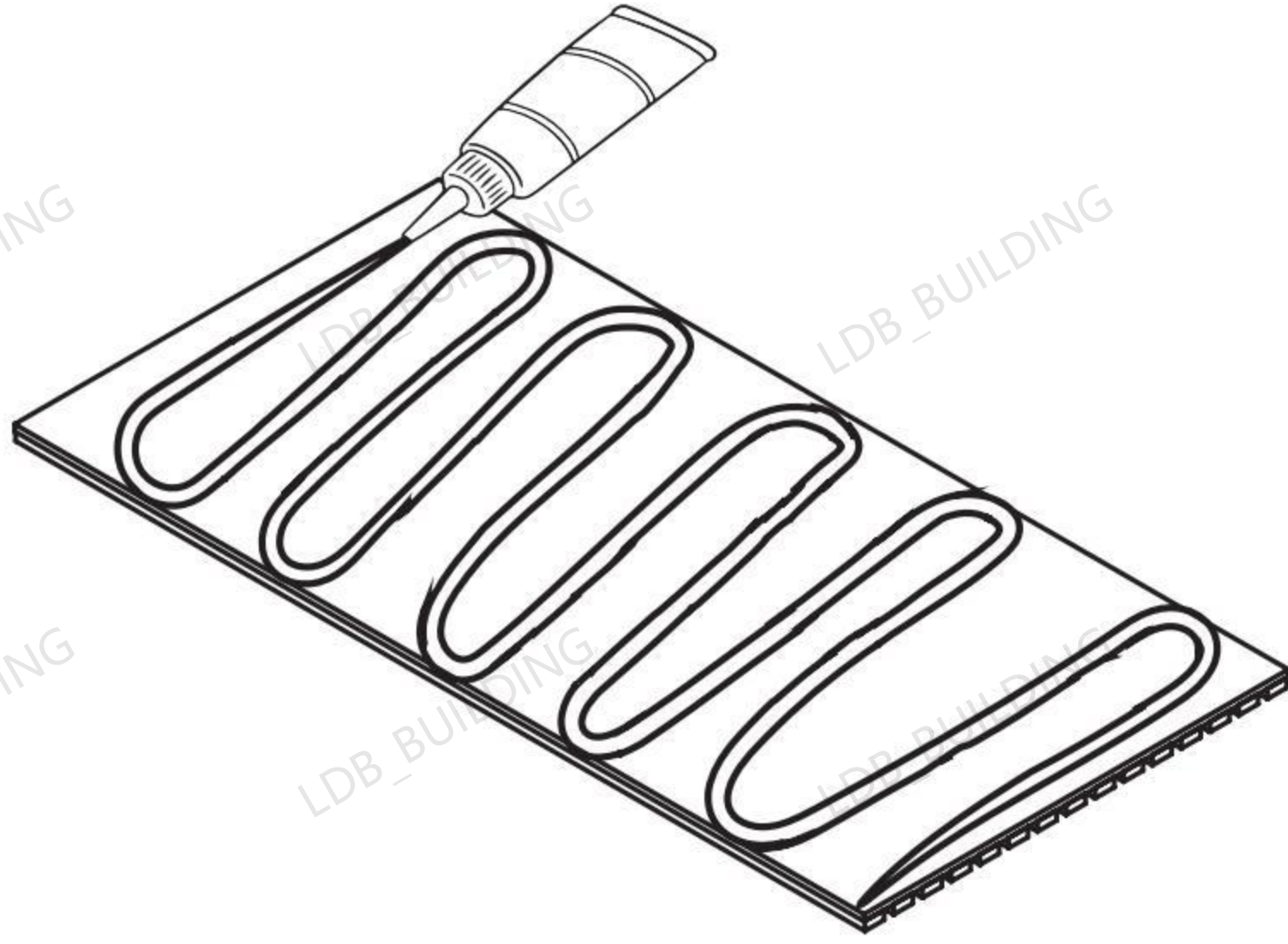


## INSTALLATION STEPS

### Option 2: Gluing straight onto the wall

A construction glue or grab adhesive is recommended for this.

Follow the adhesive manufacturer's suggested instructions in regards to the proper application of the adhesive. Apply the board to the wall and hold until it is set, or for faster and tighter installation, we recommended to start with some holding screws in the middle, then at the top, at the base.

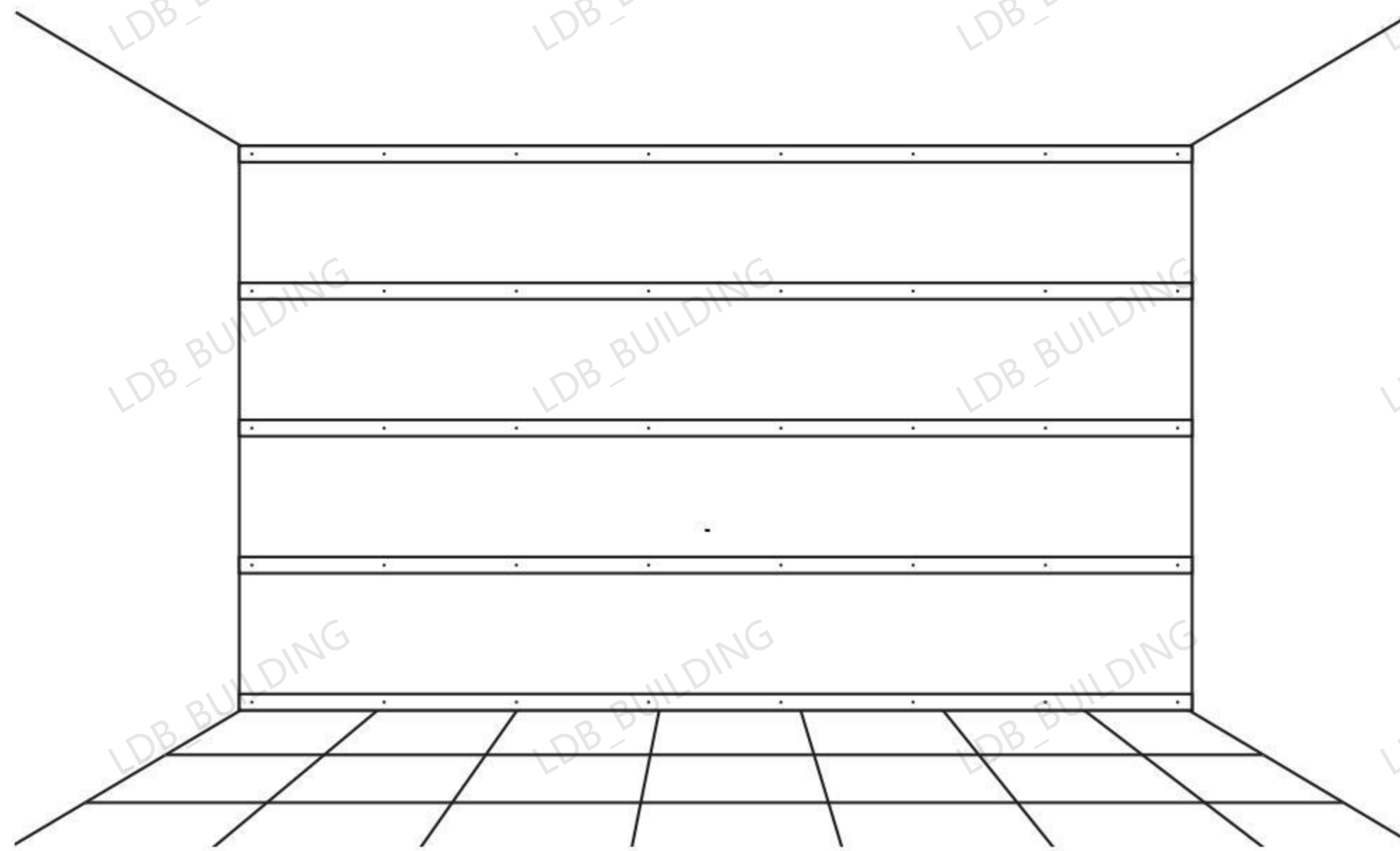


### Option 3: Screwing the panels into 2" timber battens

If you have higher sound insulation needs. We recommend screwing 2" timber batons to the wall and then screwing the panels directly into the batons through the acoustic felt to achieve optimum sound absorption.

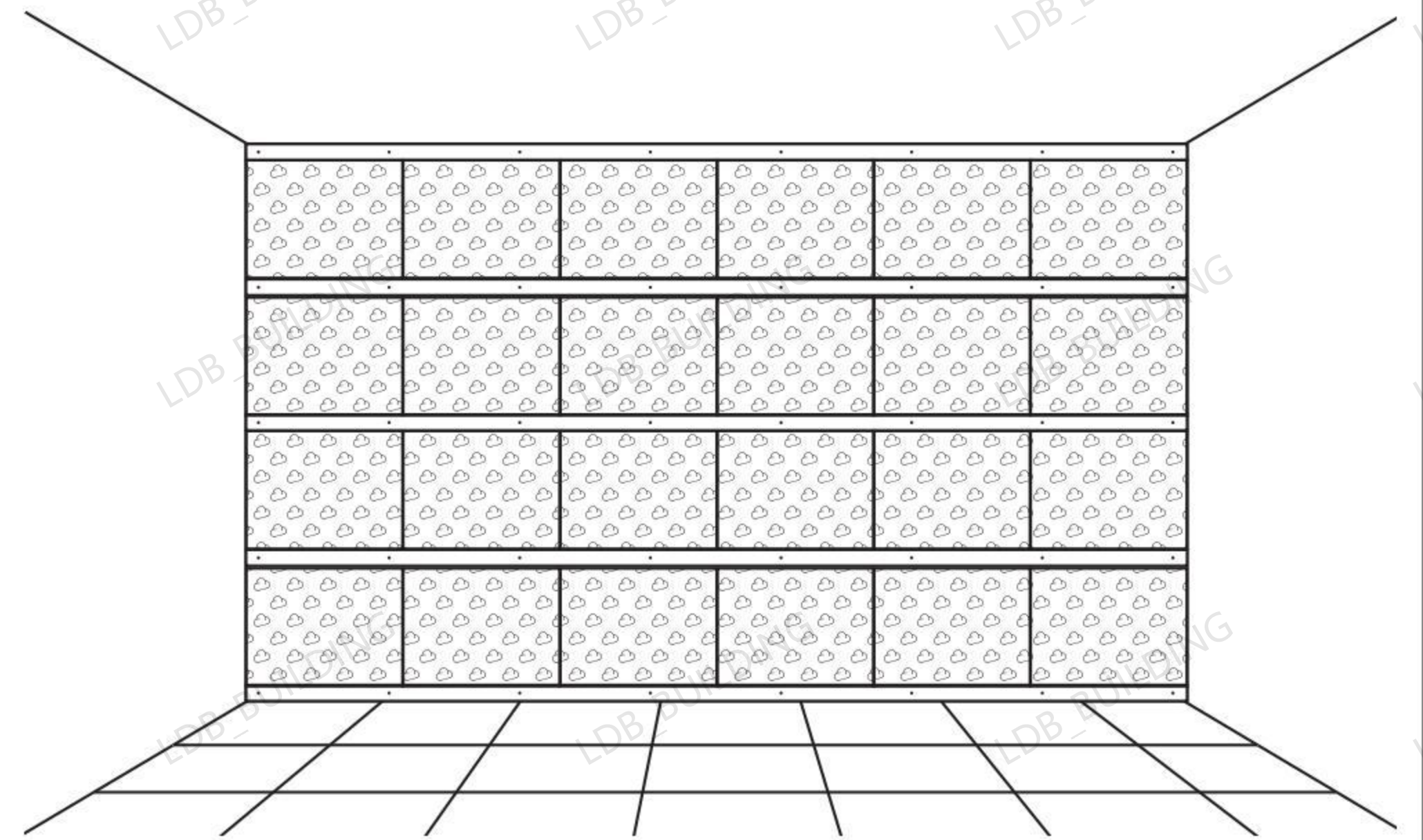
#### Option 3.1

Installation of bottom battens.



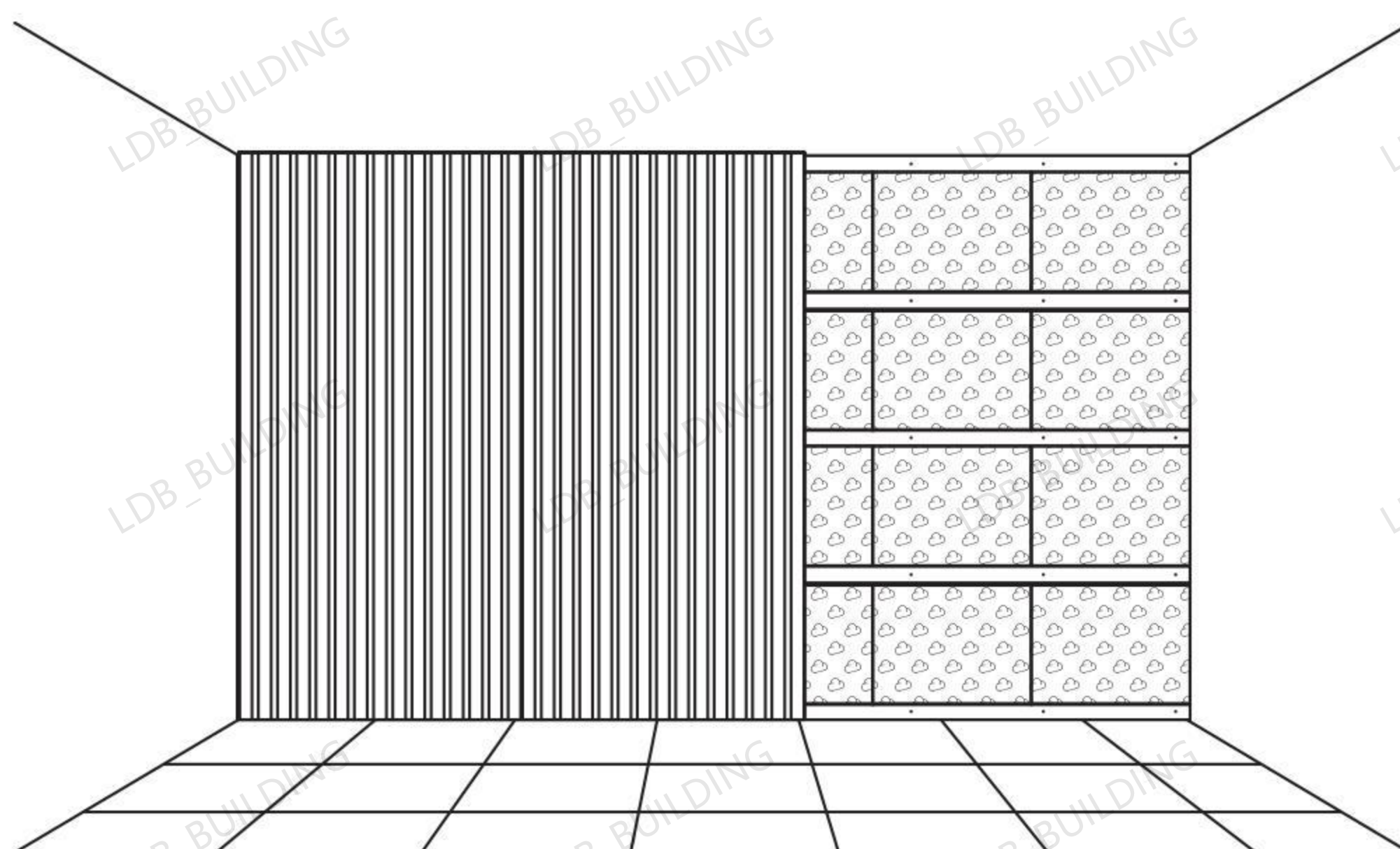
#### Option 3.2

Inserting mineral wool between the battens.



#### Option 3.3

Attaching panels to the battens.



#### Step 6

Finish Installation

