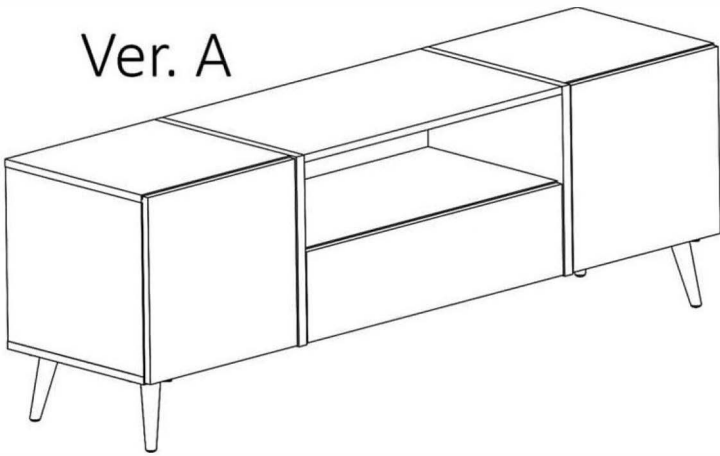
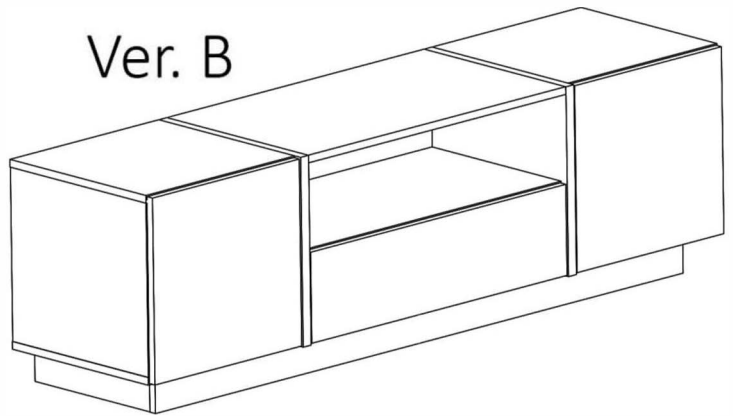


Installation & Assembly

Ver. A



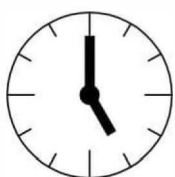
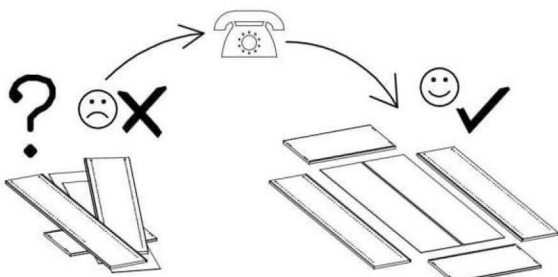
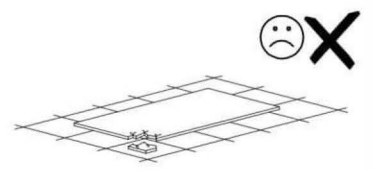
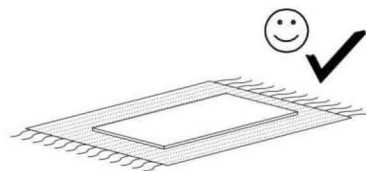
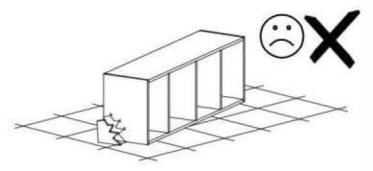
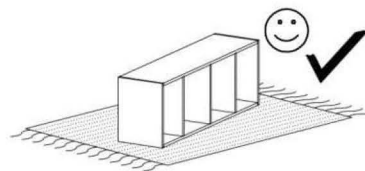
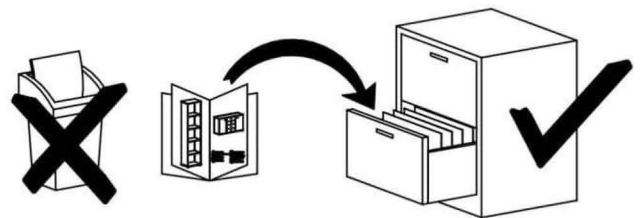
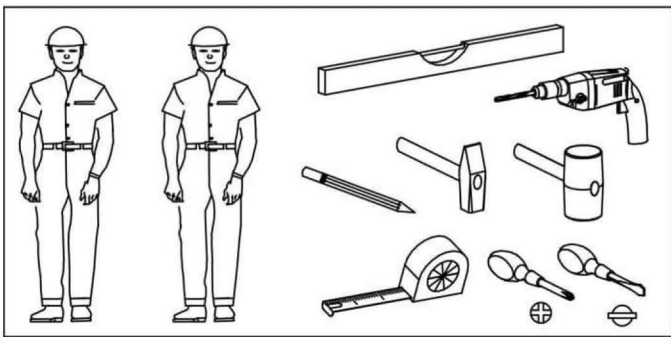
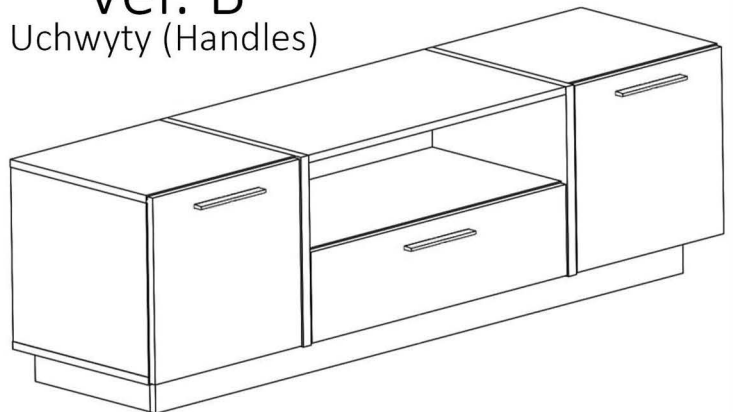
Ver. B



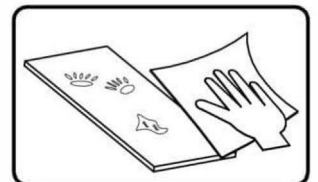
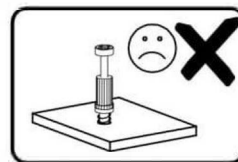
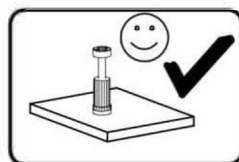
Ver. A
Uchwyty (Handles)



Ver. B
Uchwyty (Handles)



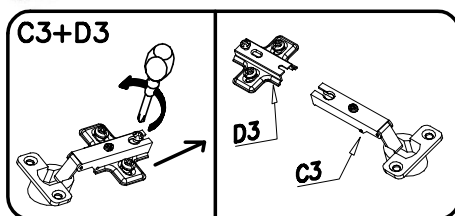
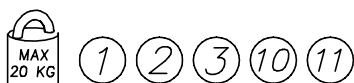
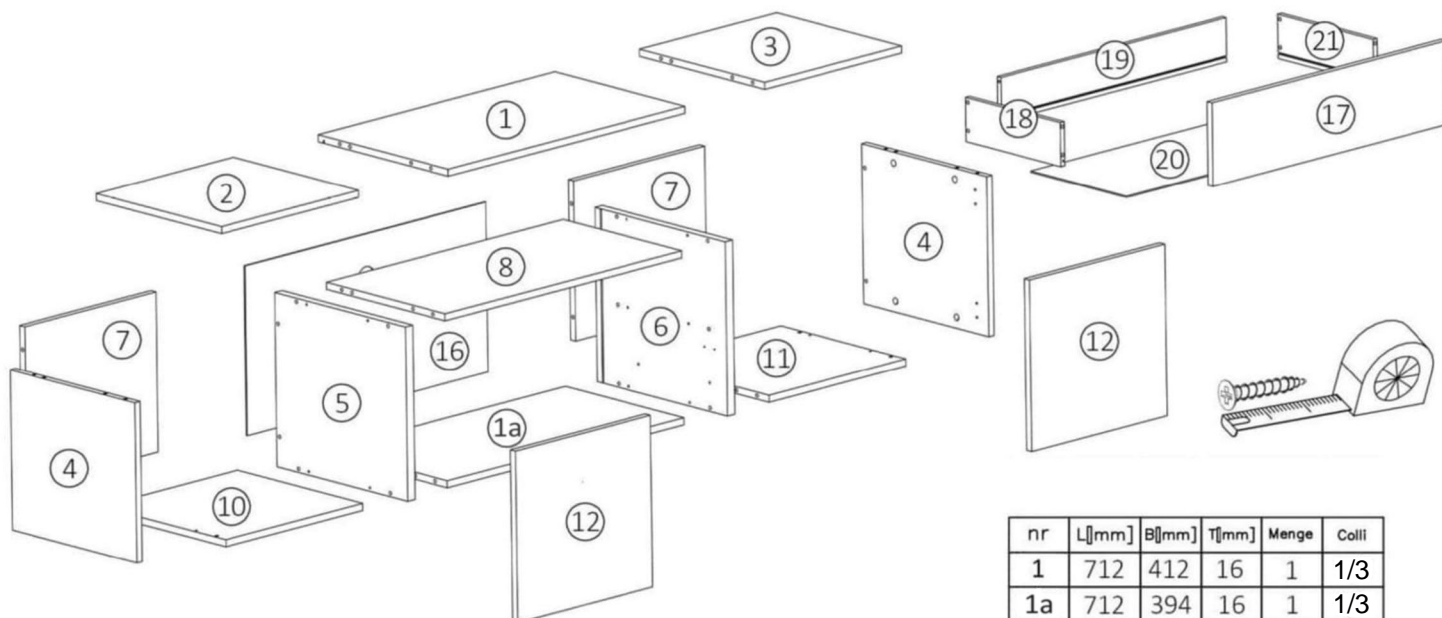
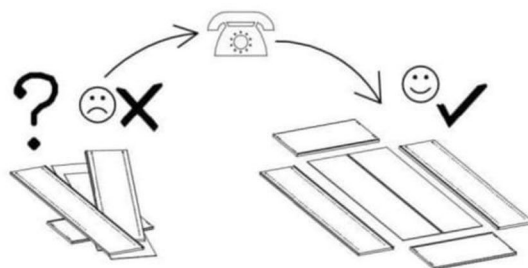
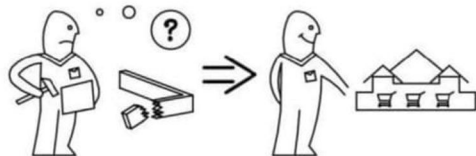
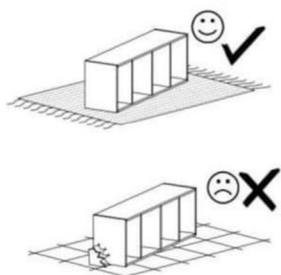
1,5h



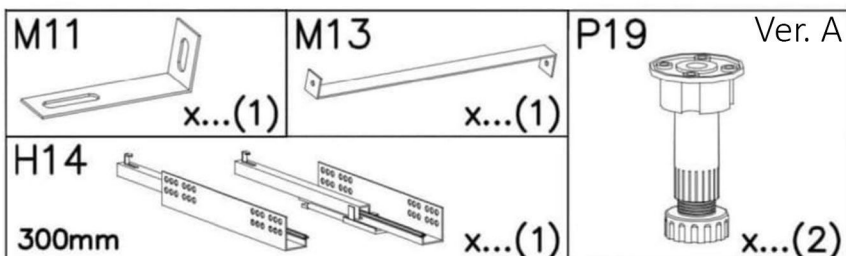
Name • Nom • Nome • Naam • Nazwa • Иméно
• Názov • Név • Denumire • Isim • Извание

Nr • No • N° • Номер • Č • Sz

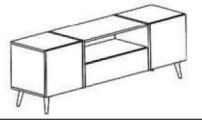
Typ • Type • Tip • Тípus • Тípo • Tun



nr	L[mm]	B[mm]	T[mm]	Menge	Coil
1	712	412	16	1	1/3
1a	712	394	16	1	1/3
2/3	412	394	16	1	2/3
4	393	362	16	2	1/3
5/6	413	394	22	1	2/3
7	395	362	16	2	2/3
8	712	374	16	1	1/3
10/11	412	394	16	1	2/3
12	393	408	16	2	2/3
16	724	373	3	1	1/3
17	708	195	16	1	1/3
18	300	100	16	1	1/3
19	672	86	16	1	1/3
20	682	307	3	1	1/3
21	300	100	16	1	1/3

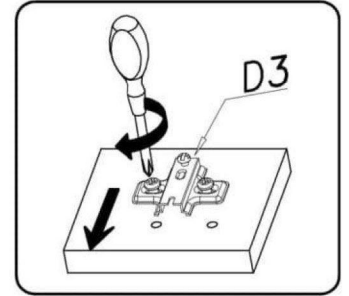
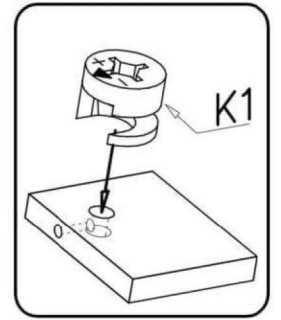
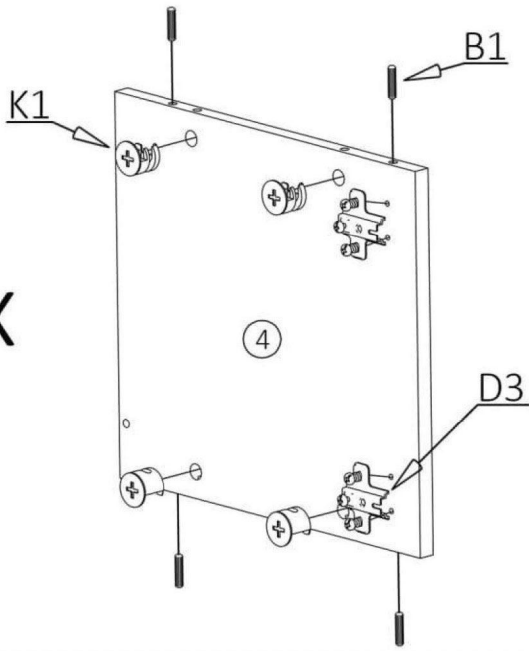


G4 Ver. A 4x16 x...(16)	G50 6x13 x...(4)	L11 x...(4)	B1 ø8x35 x...(40)
A6 ø7x40 x...(4)	G34 3,5x16 x...(40)	I1 x...(8)	K4 ø12x10 x...(2)
K10 x...(30)	I7 x...(28)	K1 ø15x12 x...(28)	G8 Uchwyty (Handles) 4x30 x...(6)
			D3 PZ35PR x...(4)

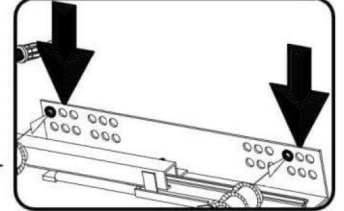
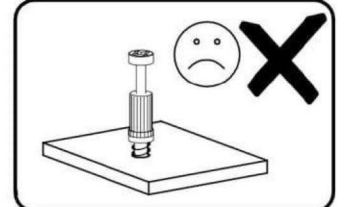
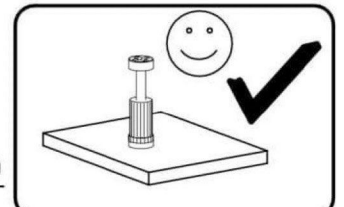
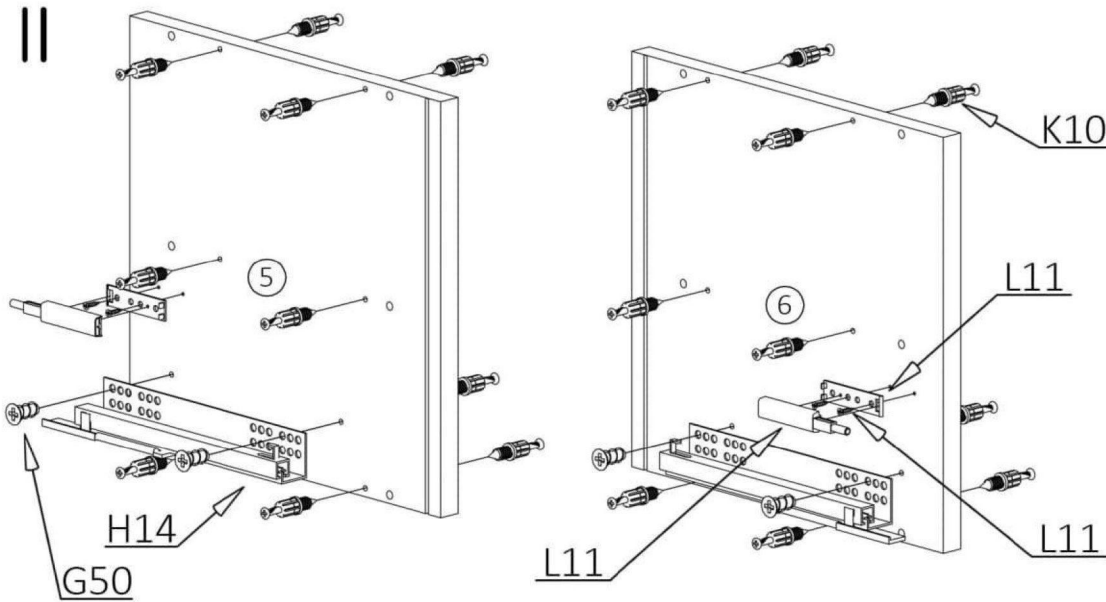


I

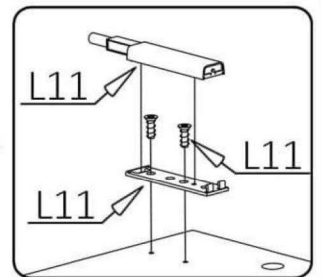
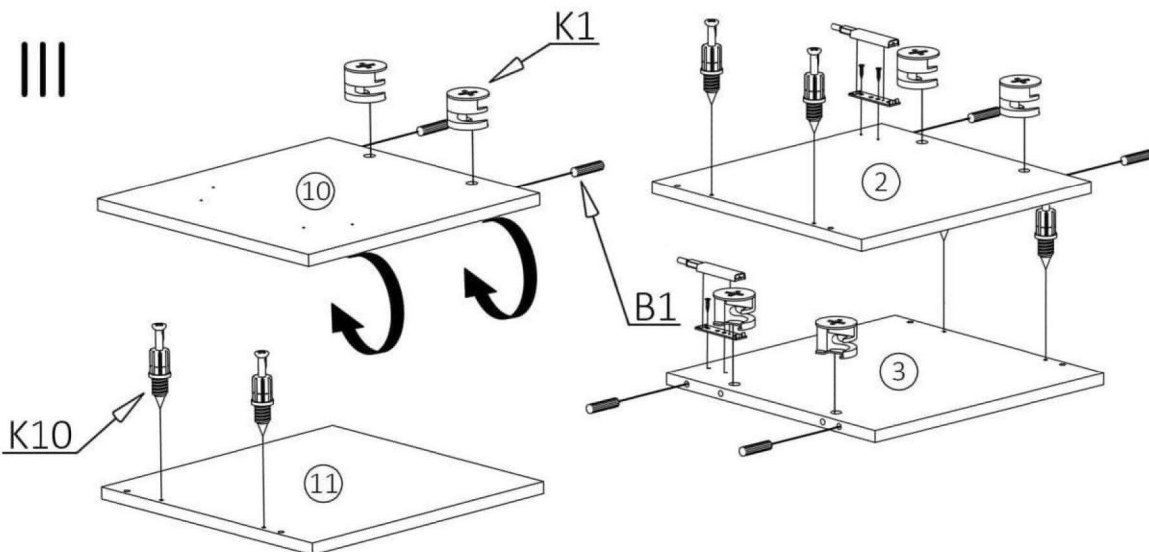
2x



II

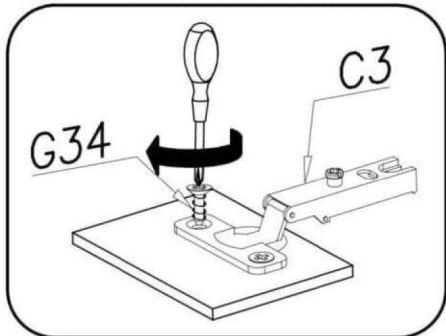
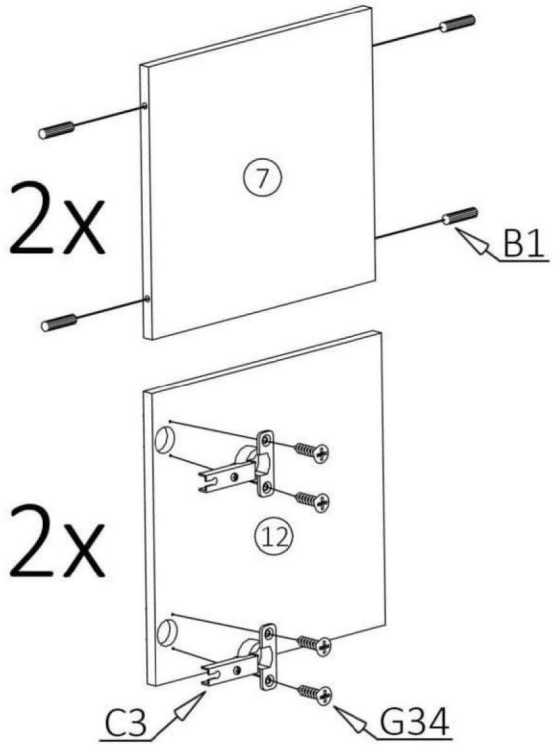


III

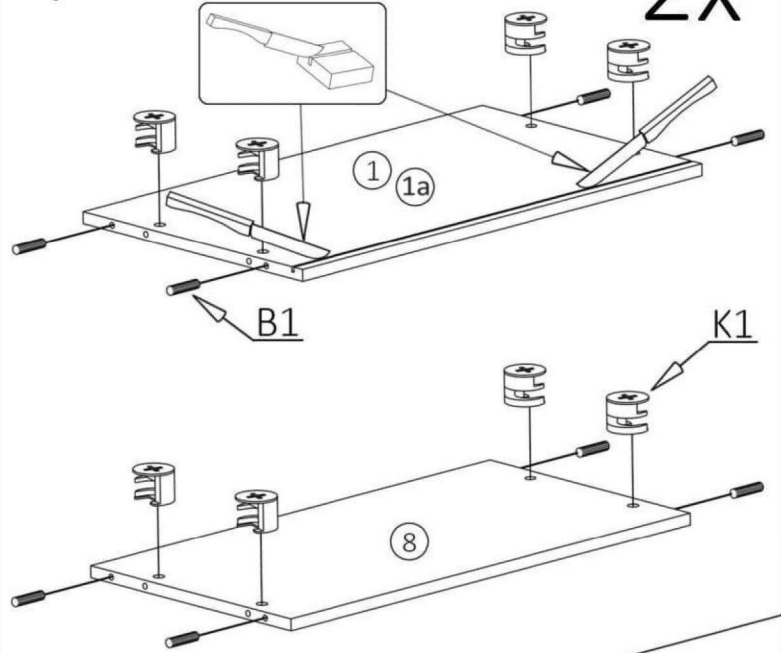




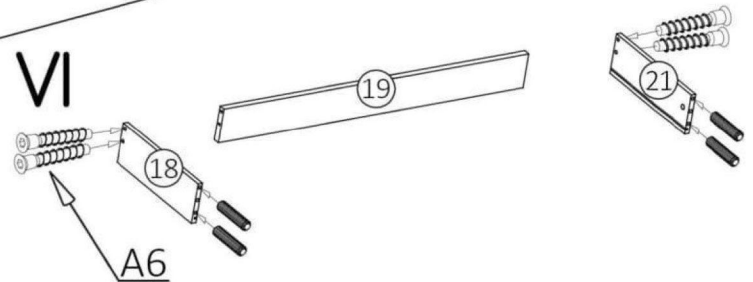
IV



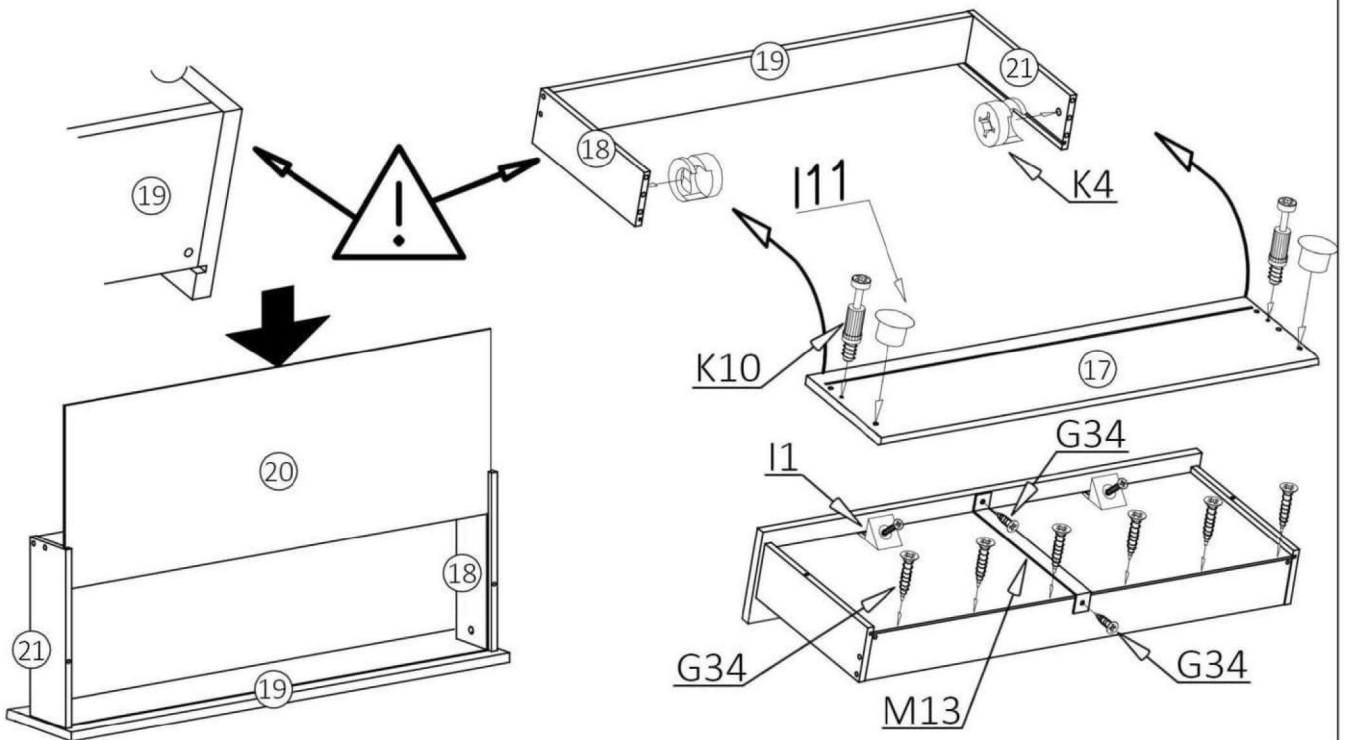
V



VI

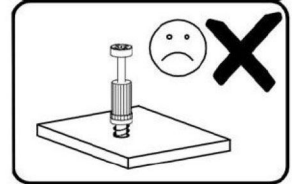
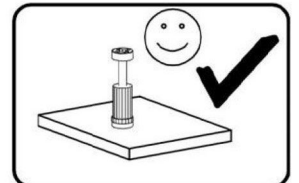
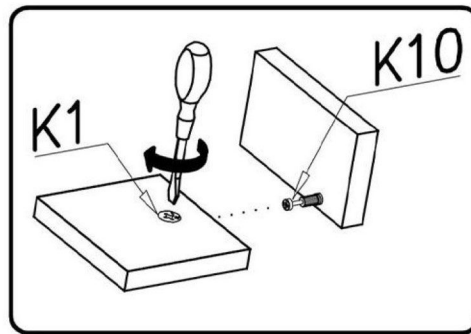
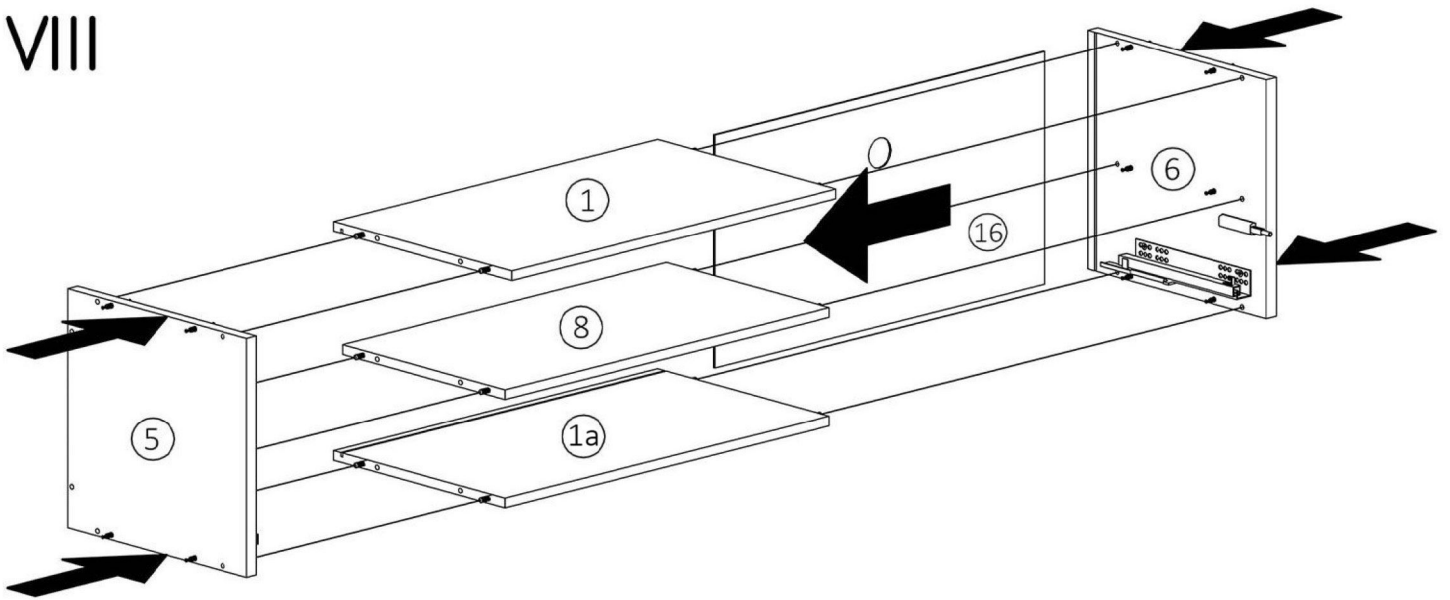


VII

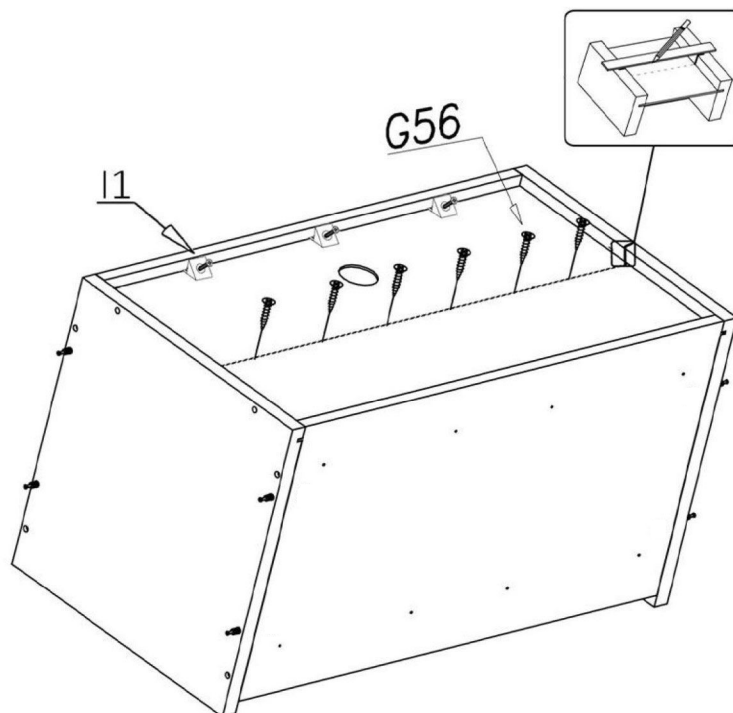




VIII

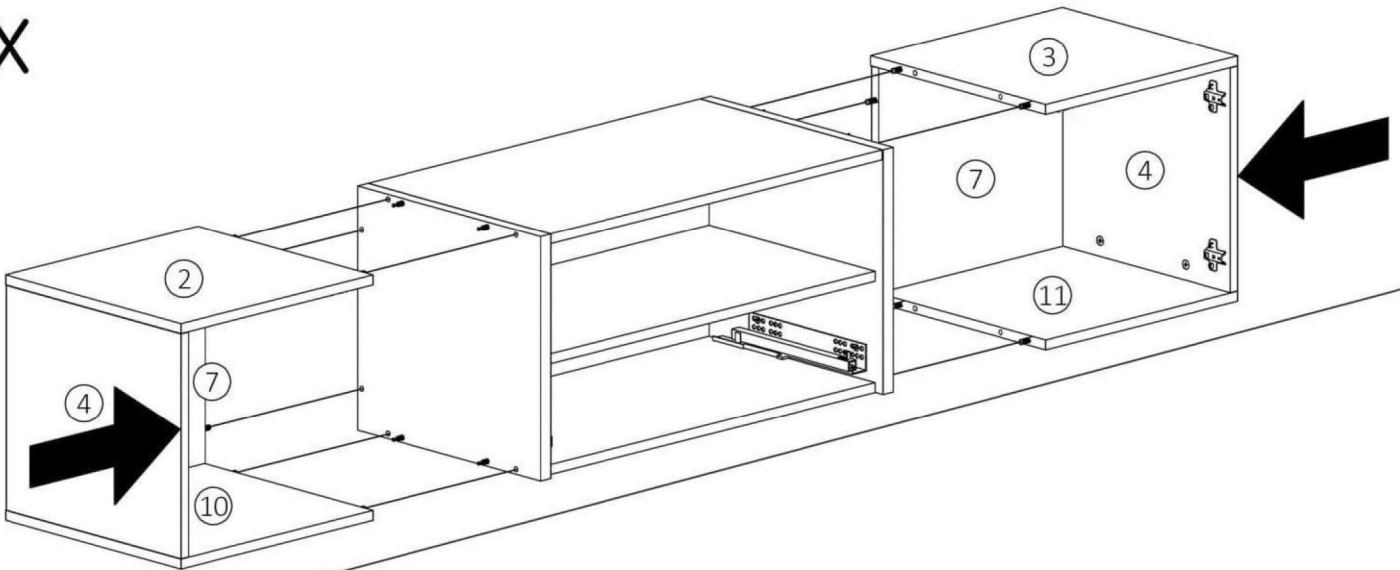


IX

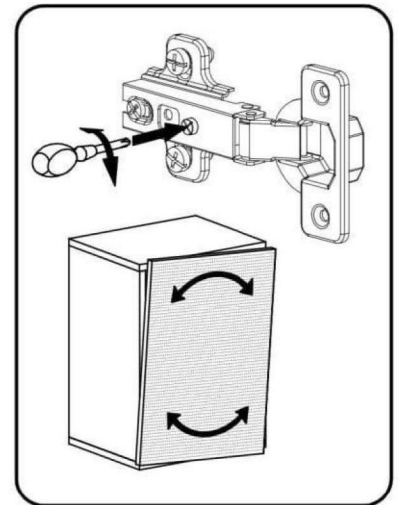
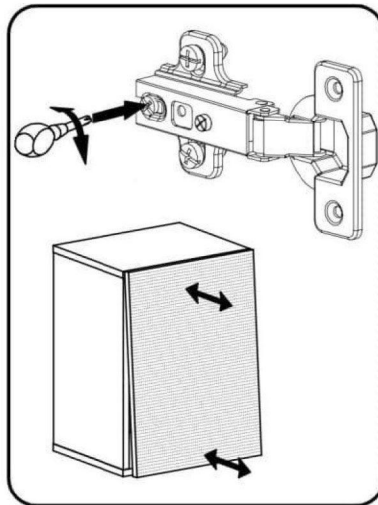
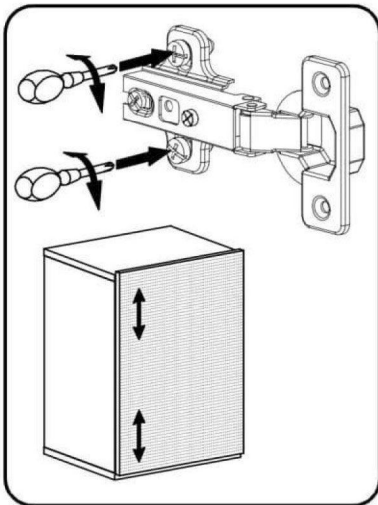
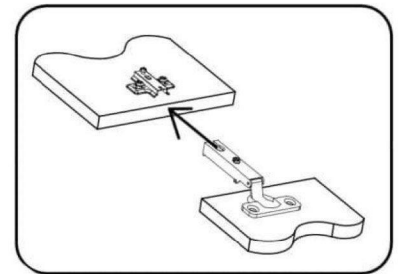
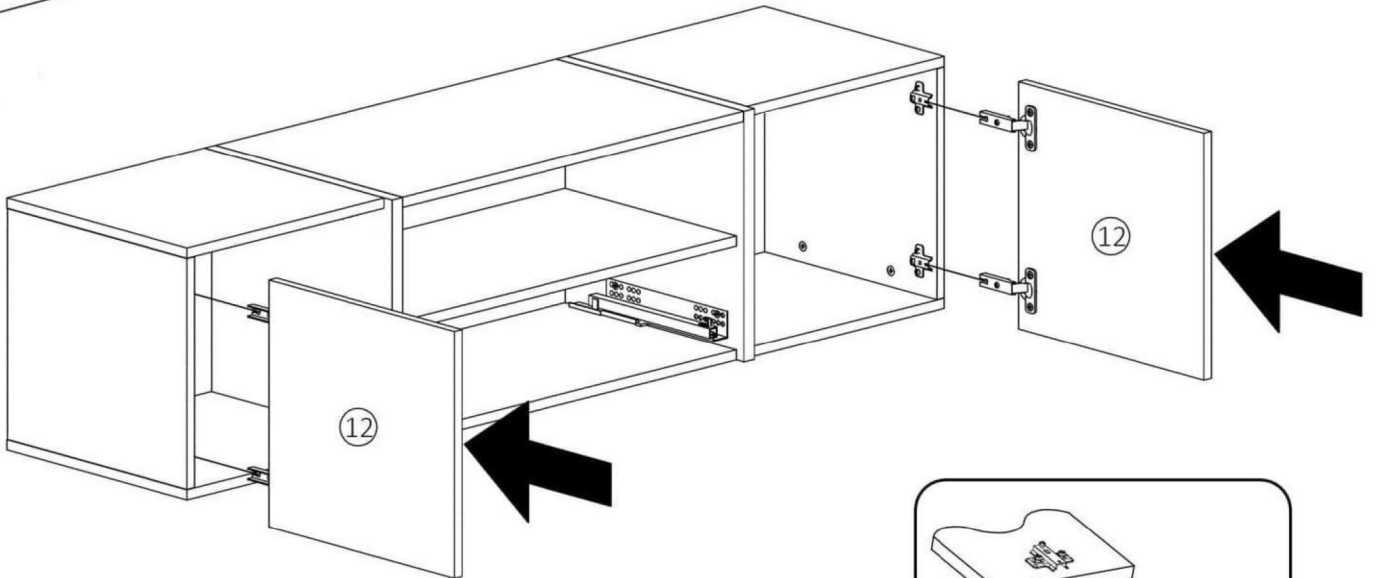




X

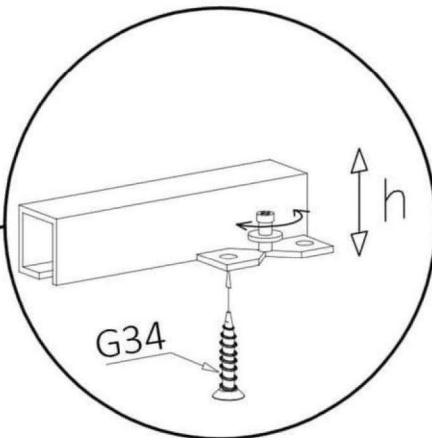
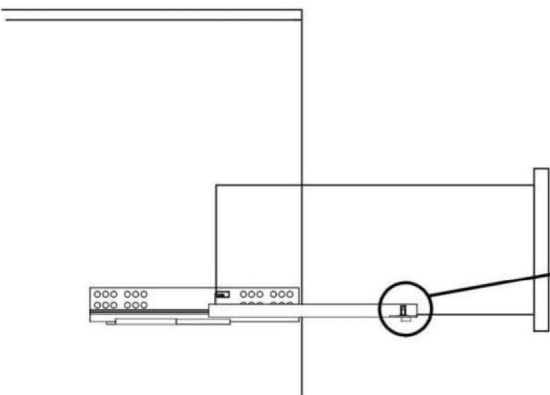
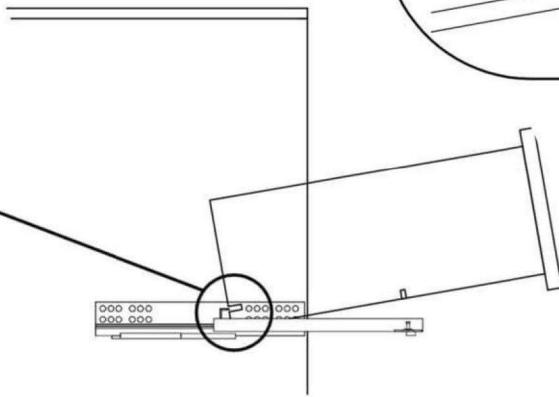
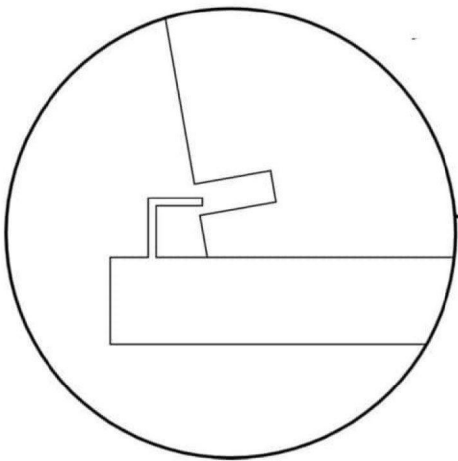
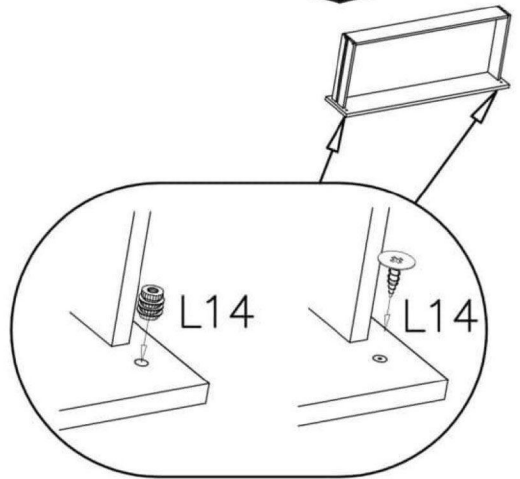
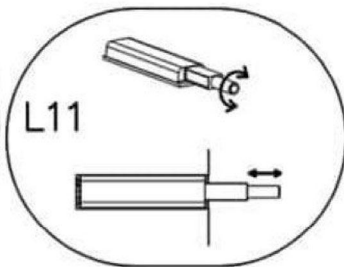
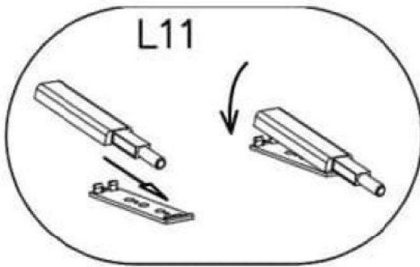
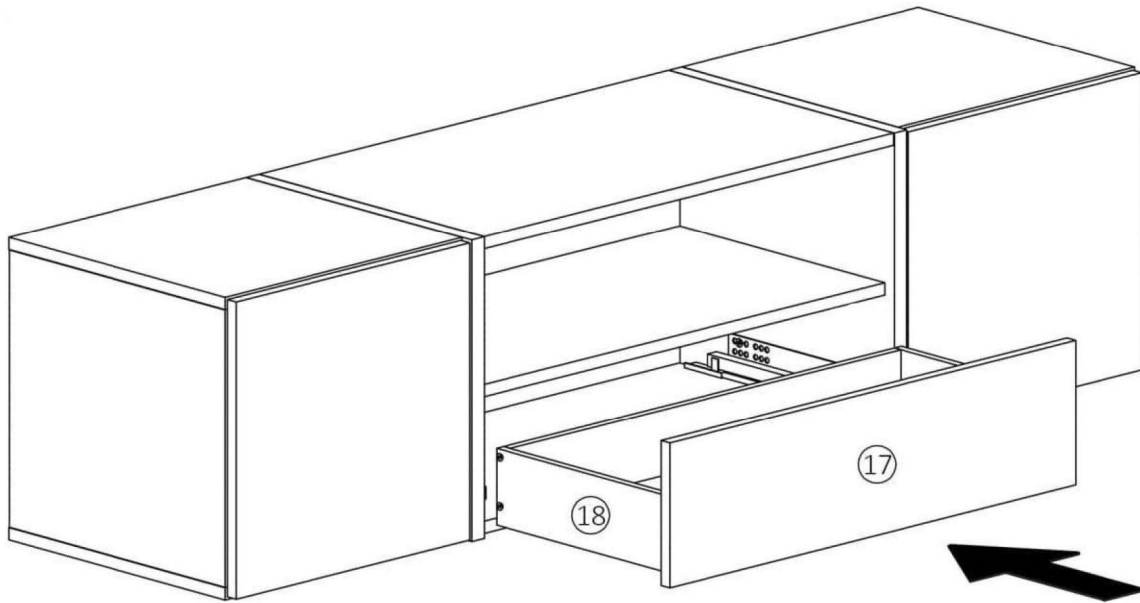


XI



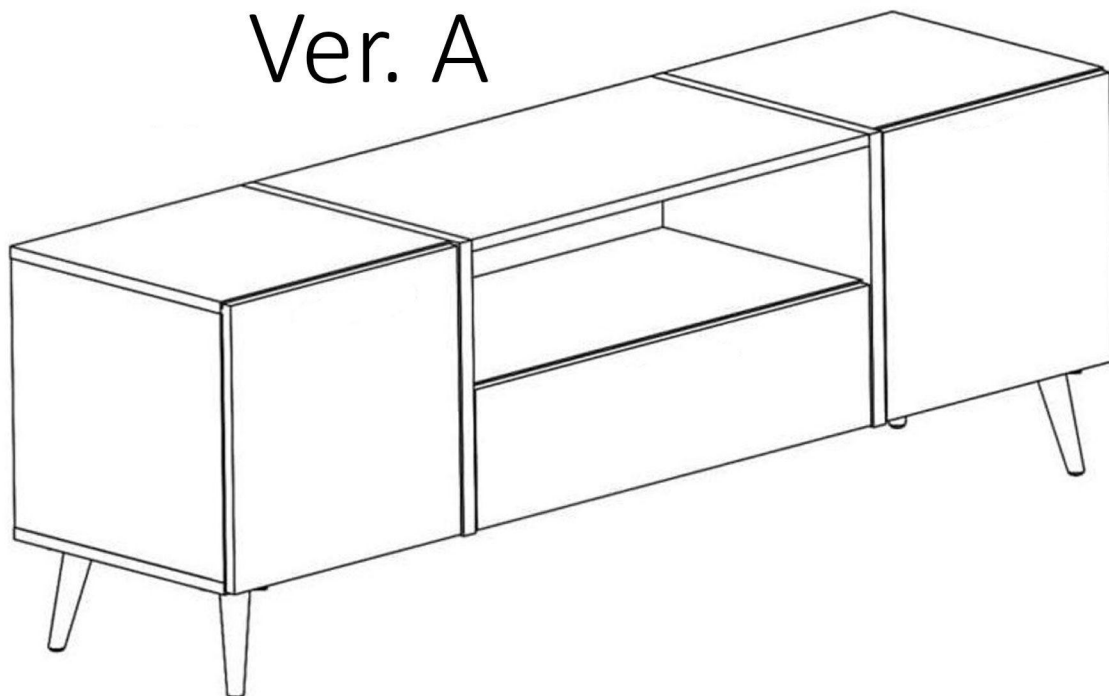


XII

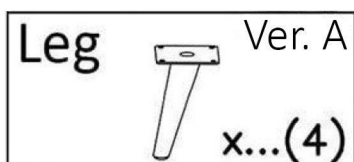


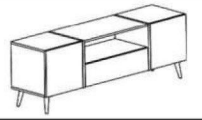


Ver. A

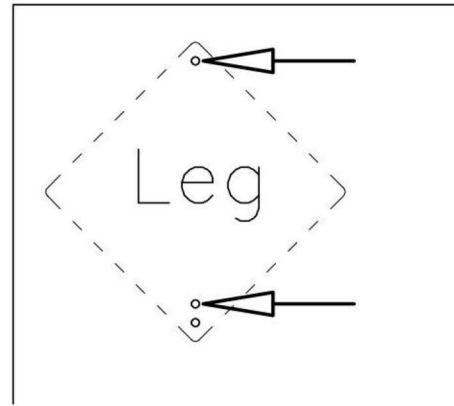
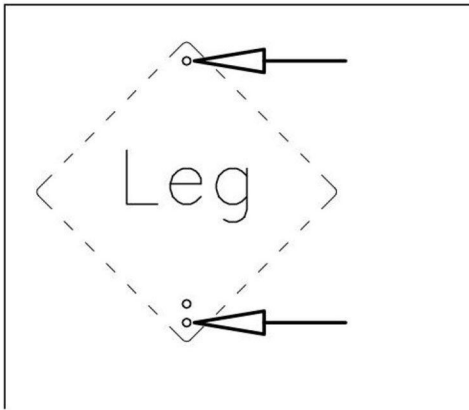
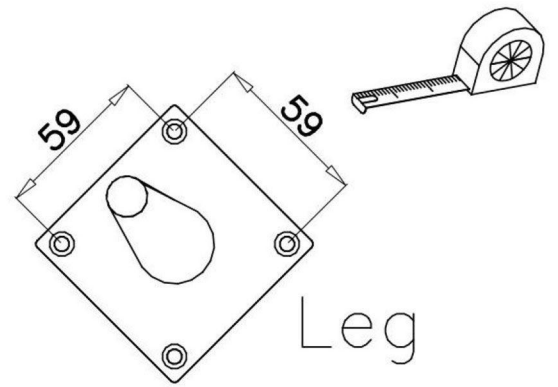
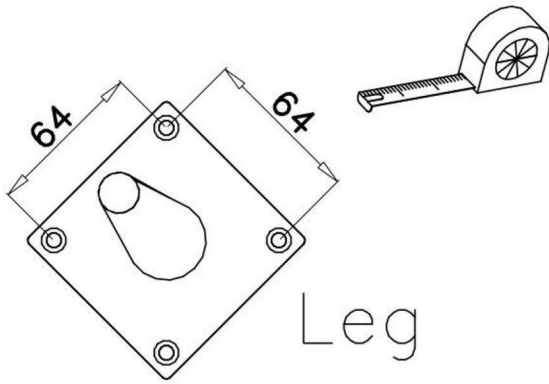


Colli 3/3

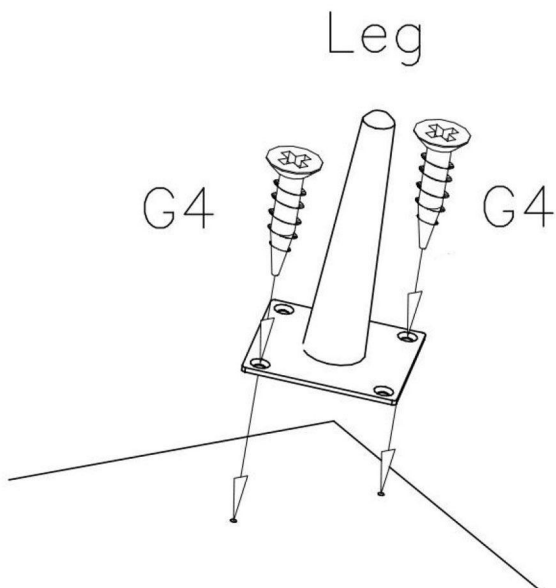




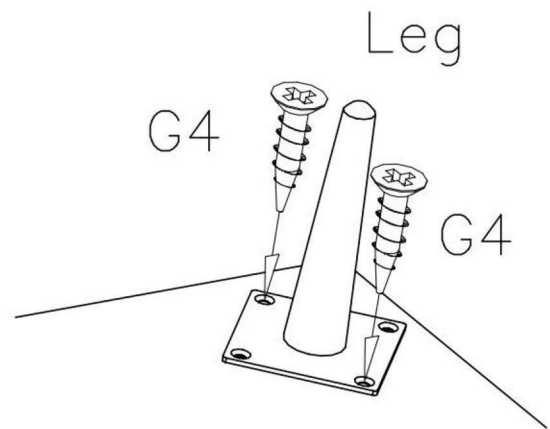
I

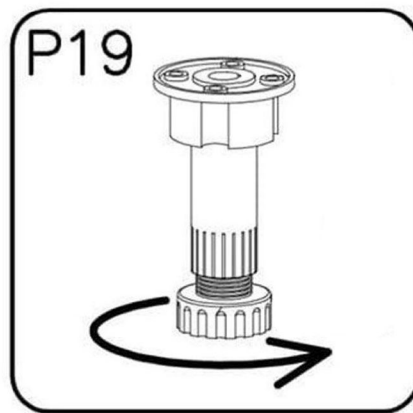
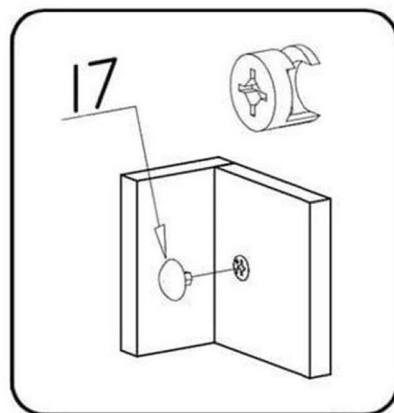
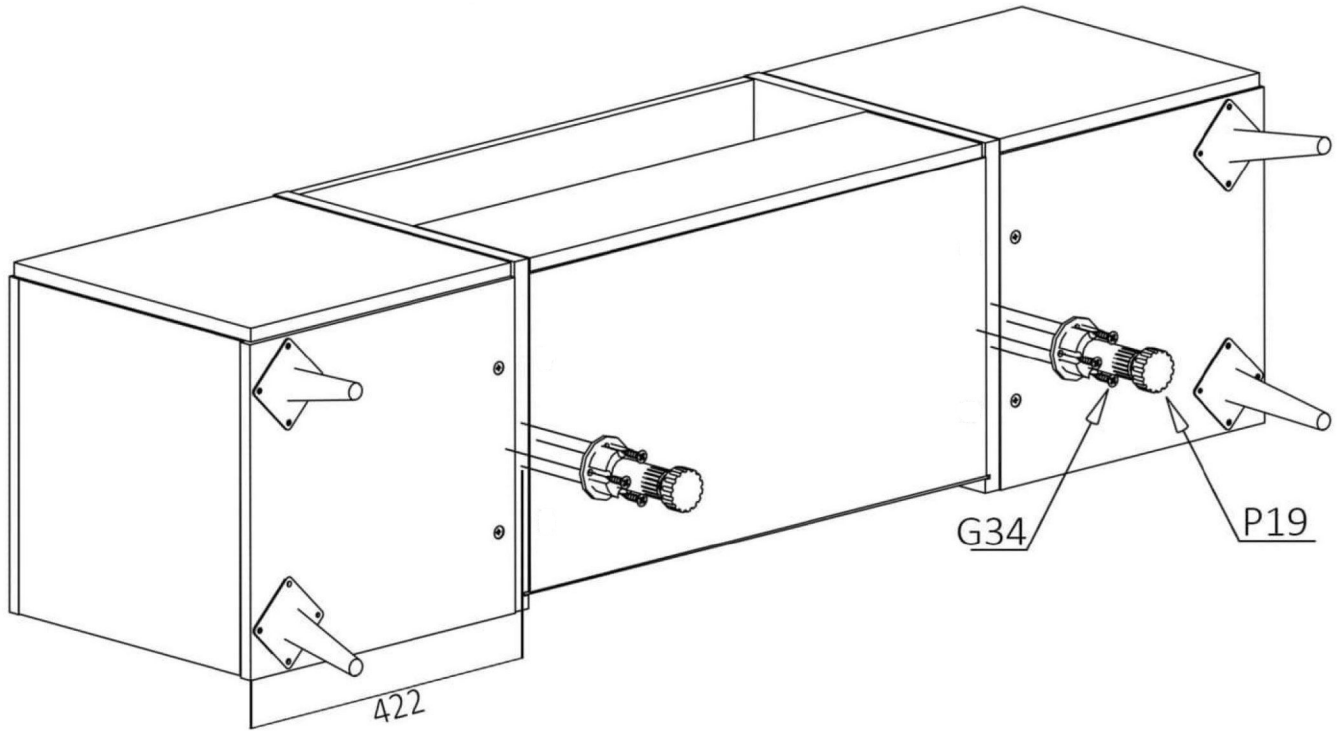


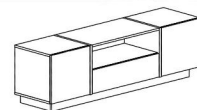
II



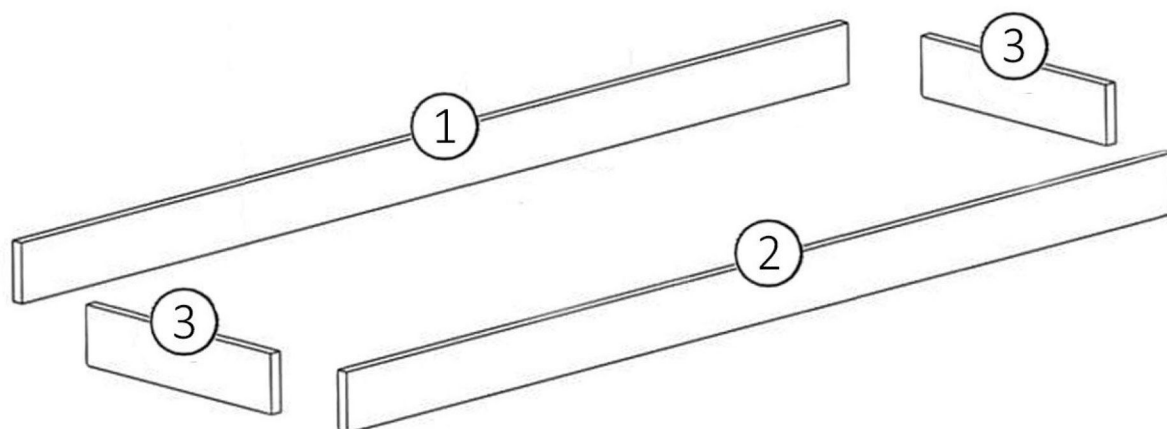
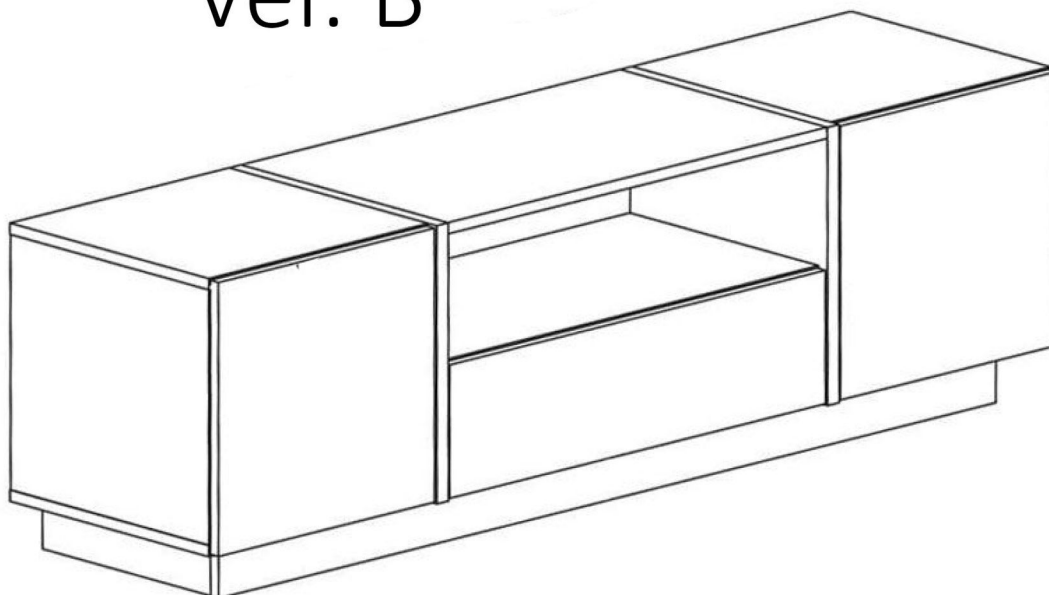
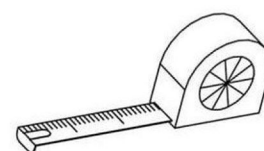
III








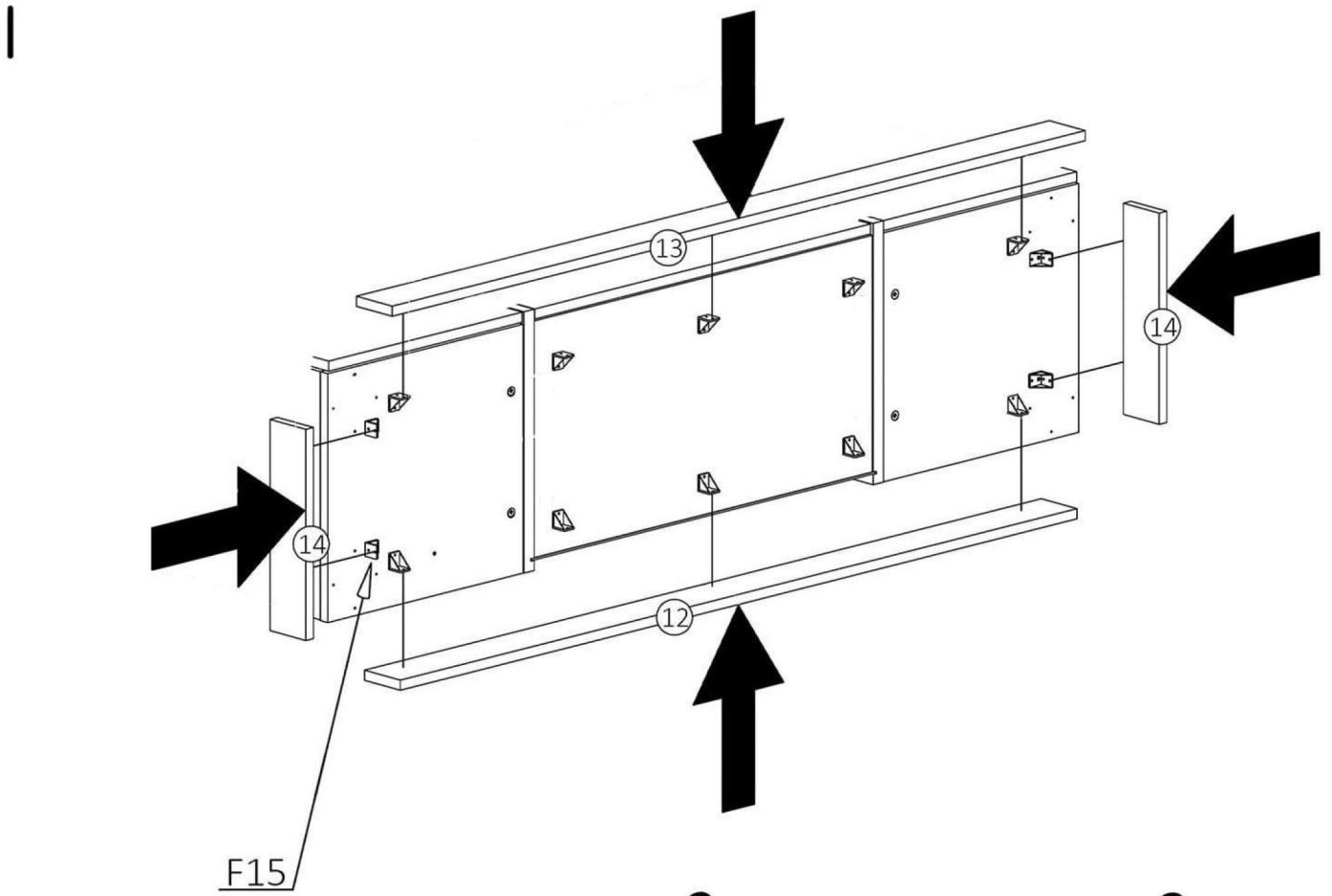
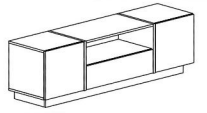


Ver. B

**Colli 3/3**

G34 3,5x16 x...(72)		P4 x...(12)		F15 x...(18)	
---------------------------	---	----------------	---	-----------------	---

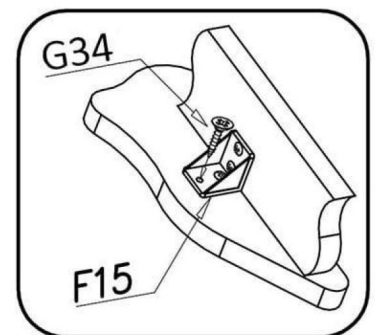
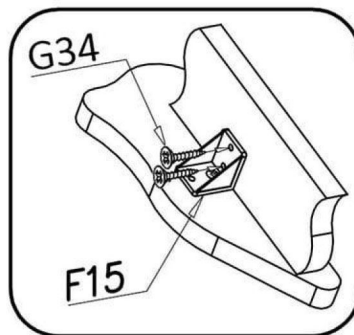
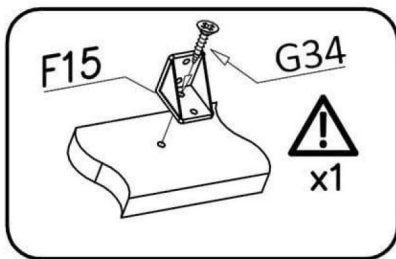
nr	L[mm]	B[mm]	T[mm]	Menge	Colli
1	1426	79	16	1	3/3
2	1460	79	16	1	3/3
3	334	79	16	2	3/3



2.

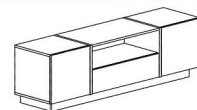
3.

1.

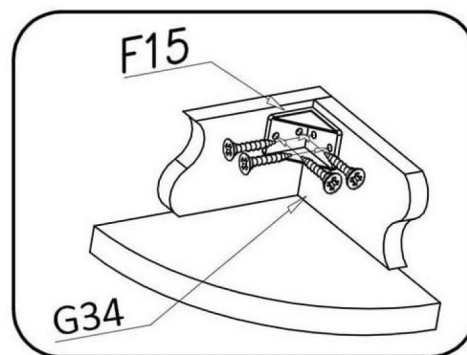
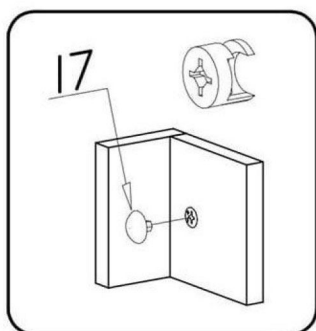
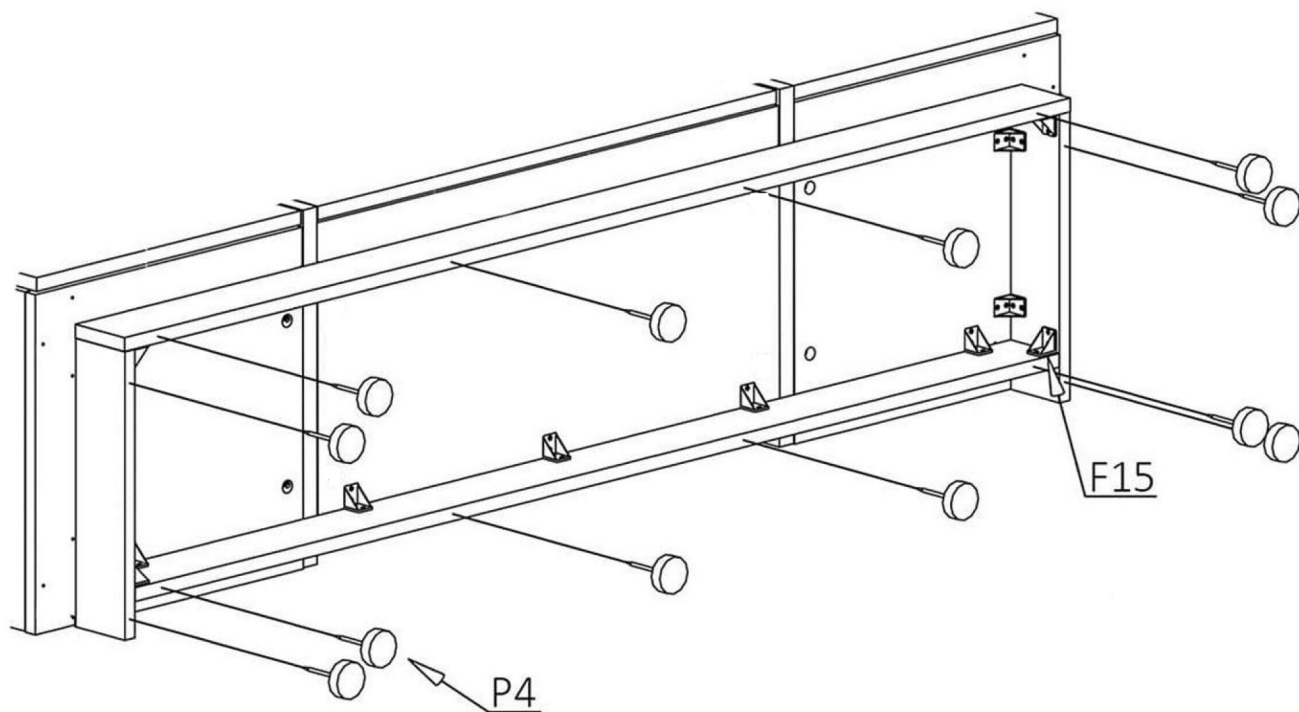


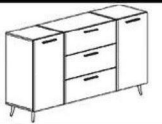
*mm





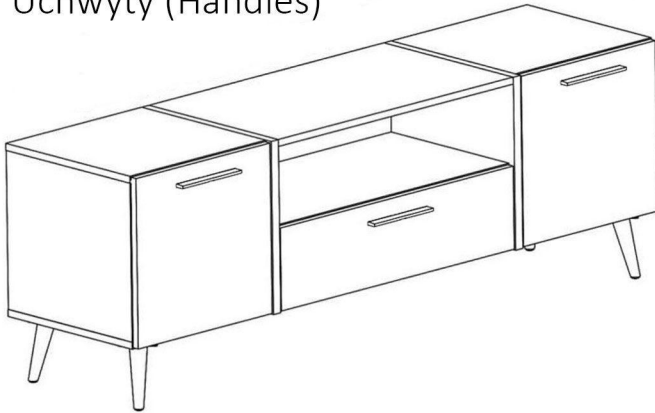
II





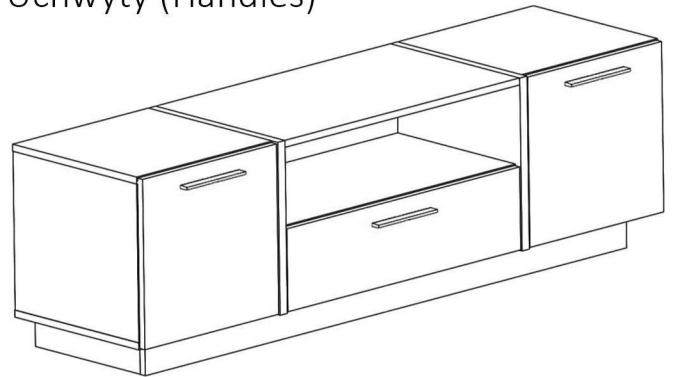
Ver. A

Uchwyty (Handles)

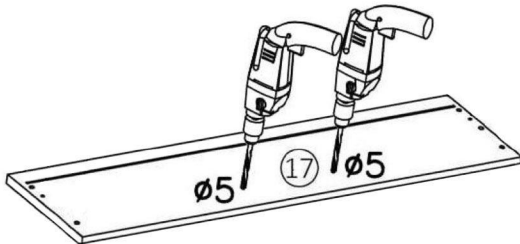


Ver. B

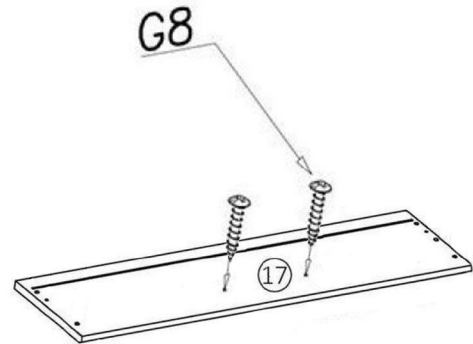
Uchwyty (Handles)



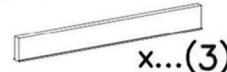
I



II



E88

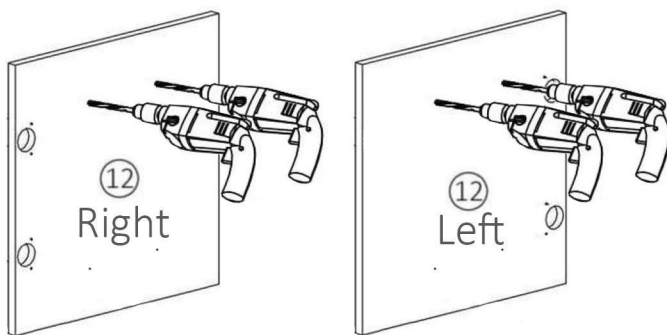


x...(3)

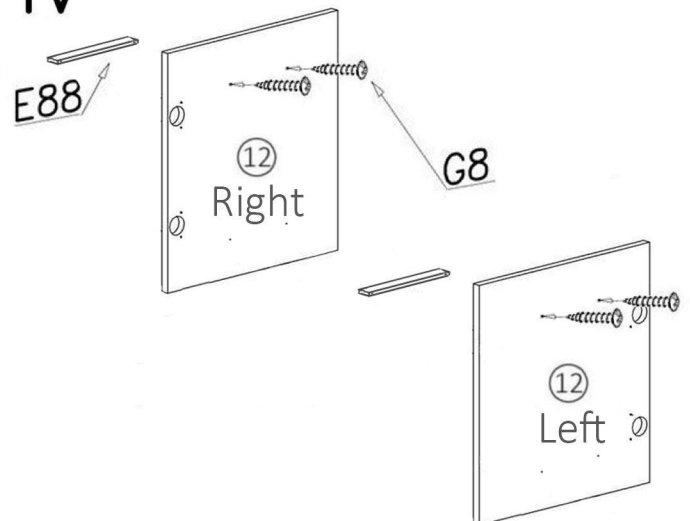


E88

III

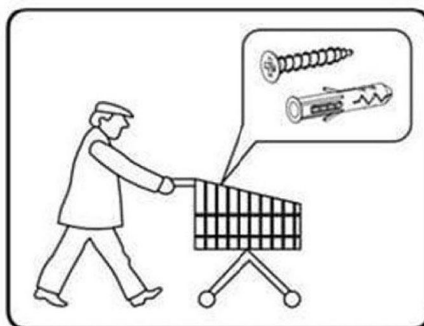
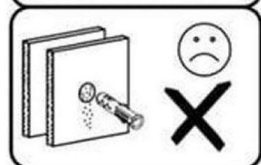
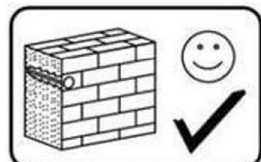
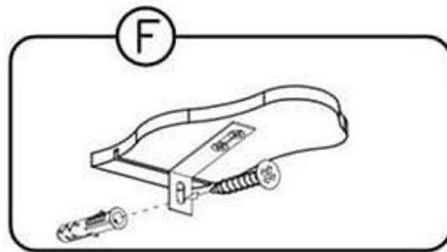
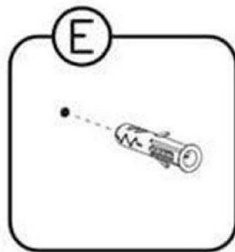
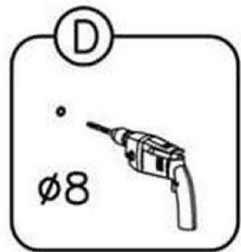
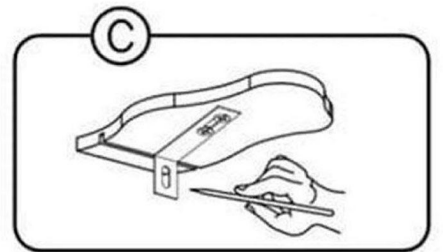
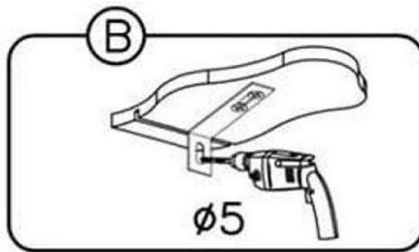
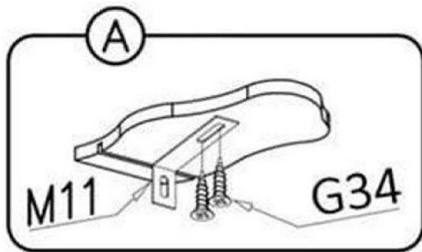
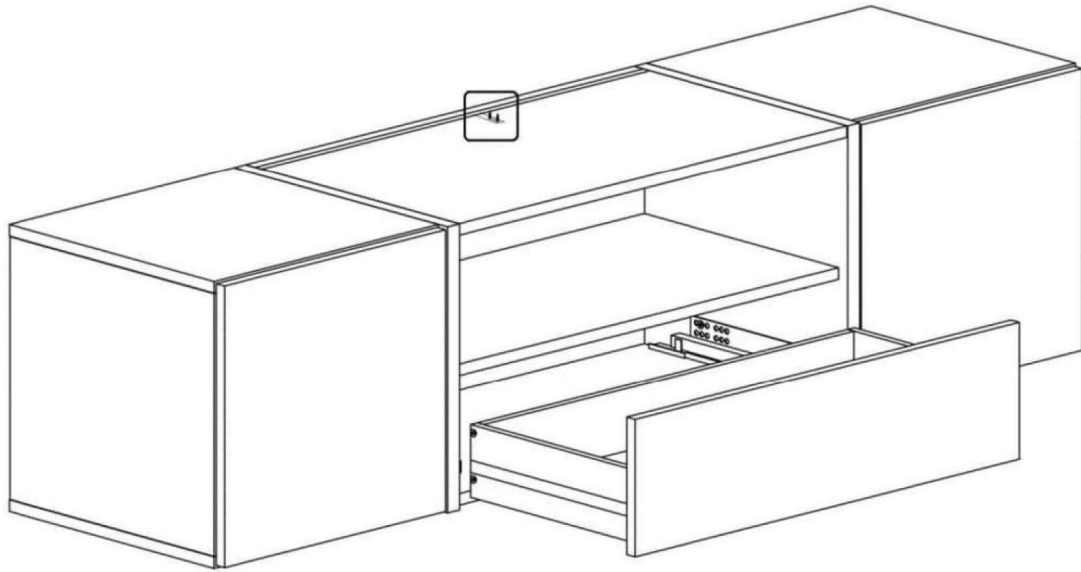
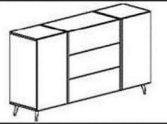


IV



V

W przypadku montażu wersji z uchwytami nie montować mechanizmów Push-Open.
When installing the version with handles, do not install Push-Open mechanisms.
Bei Ausführungen mit Griffen keine Push-Open-Mechanismen einbauen.





Uwaga • Upozornění • Achtung • Attention • Caution • Figyelem
 Attenzione • Opgelet • Внимание • Atenție • Upozornenie • Dikkat

