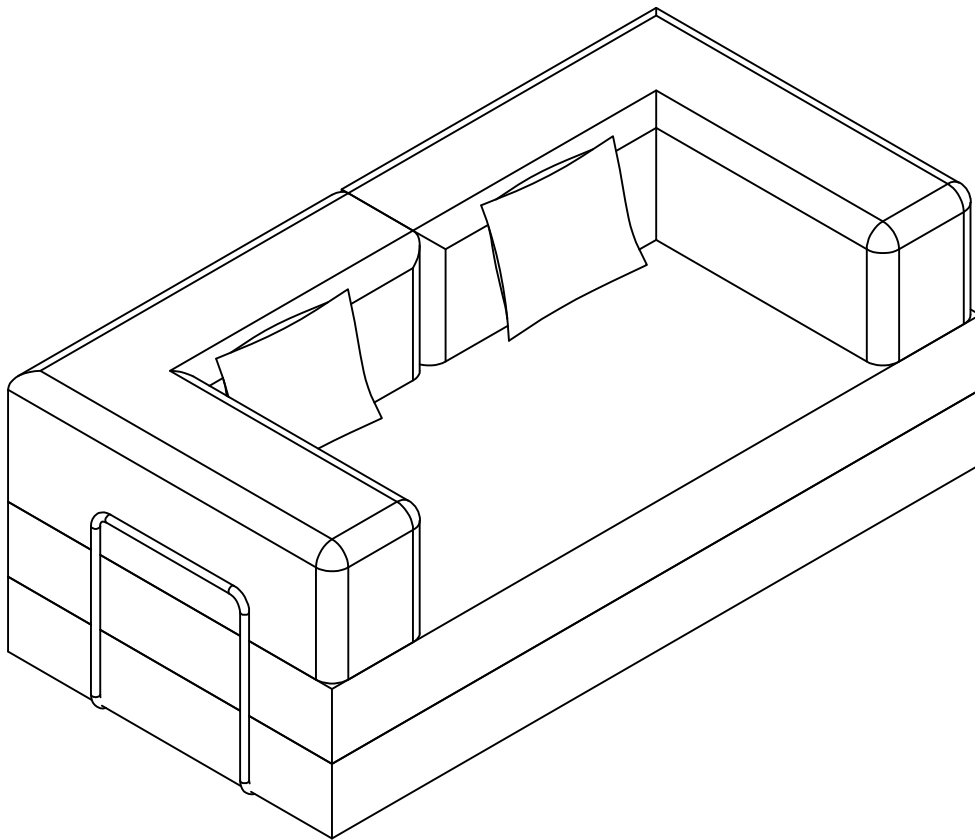
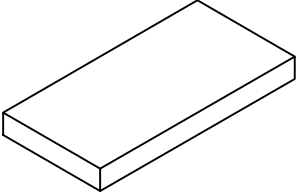
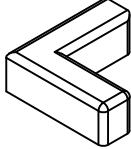
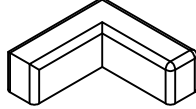
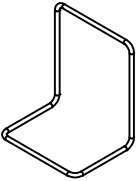
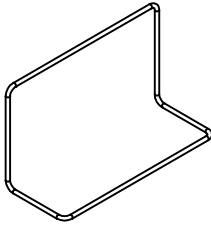
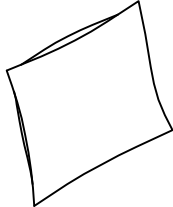

Assembly Guide

Sofa Bed



Tips: Do not throw away packing materials until assembly is complete for small parts may come loose inside the carton during shipment. If parts are missing, please contact us. Assemble this item on a soft surface, such as carpet to protect the finish.

PARTS LIST

① x2 	② x1 	③ x1 
④ x2 	⑤ x1 	⑥ x2 

1. Open the packaging, place the cushions on the floor.

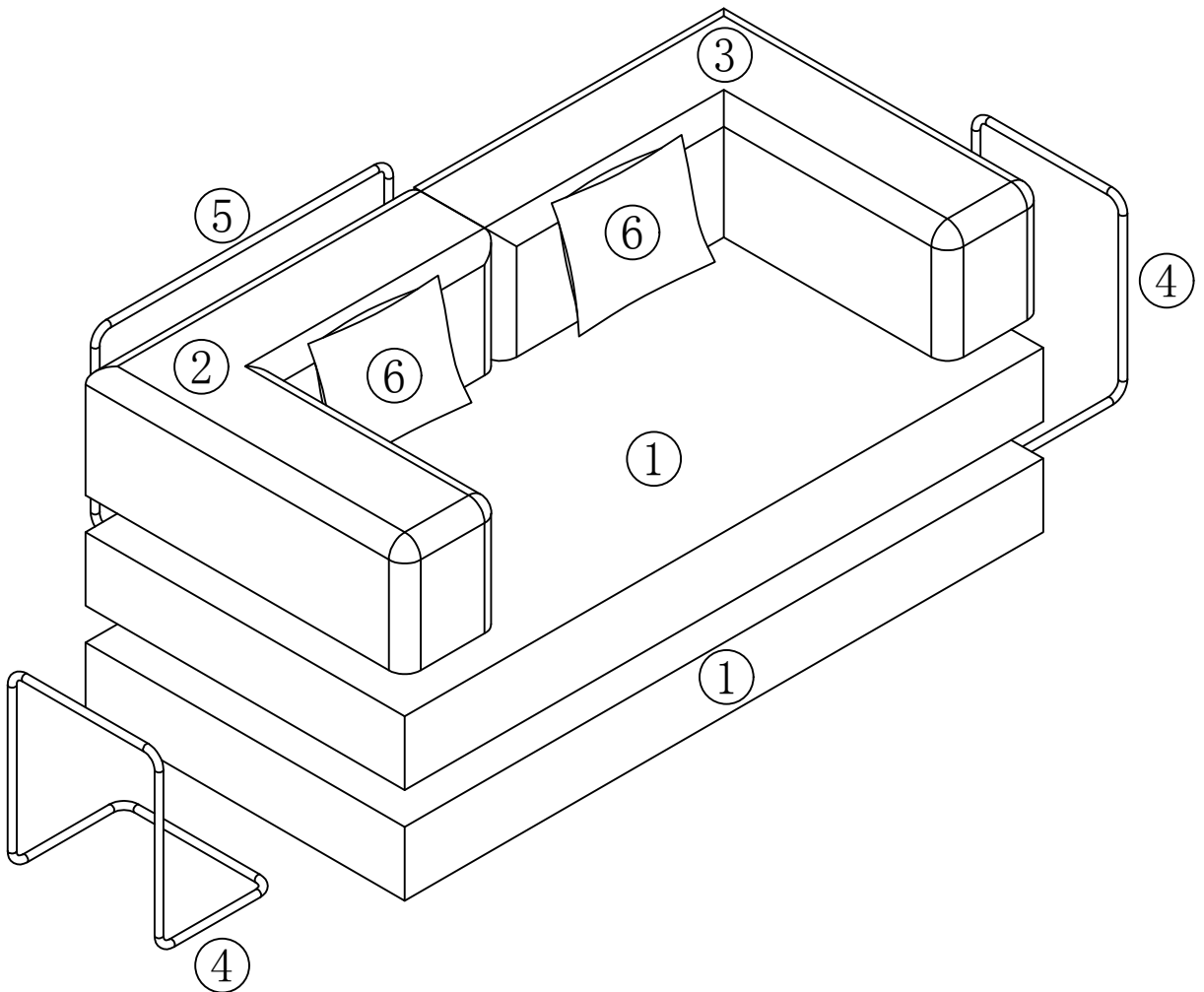
2. Remove the plastic packaging and avoid scratching the fabric with sharp tools or knives.

3. After the sofa is unpacked from the sealed packaging, it will immediately spring back to some extent, maintaining a well-ventilated and dry environment. Lightly patting the sofa will help it regain full elasticity. After 72 hours, the sofa will basically have fully returned to its original state.

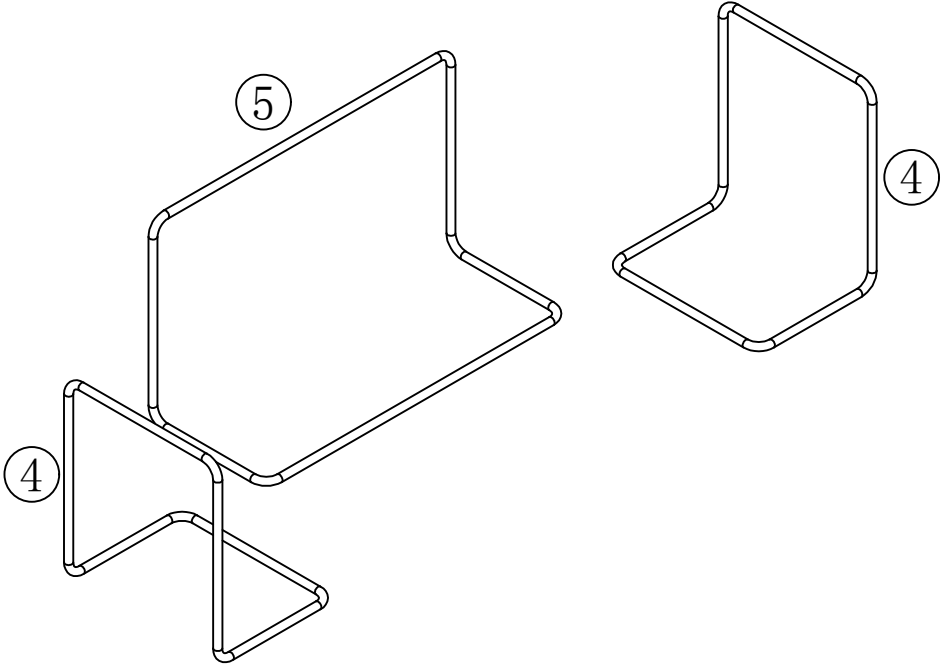
4. You can also use a clothes steam machine to make it flatter more quickly. And by patting the uneven parts with your hands, it can quickly become fluffy, making the sofa fabric smoother.

5. Warm Tips: In the center of the bottom of the metal frame (4&5), there is a welded and polished joint. During the polishing process, the temperature difference causes a small black area to appear. This is a normal phenomenon and will not affect the usage.

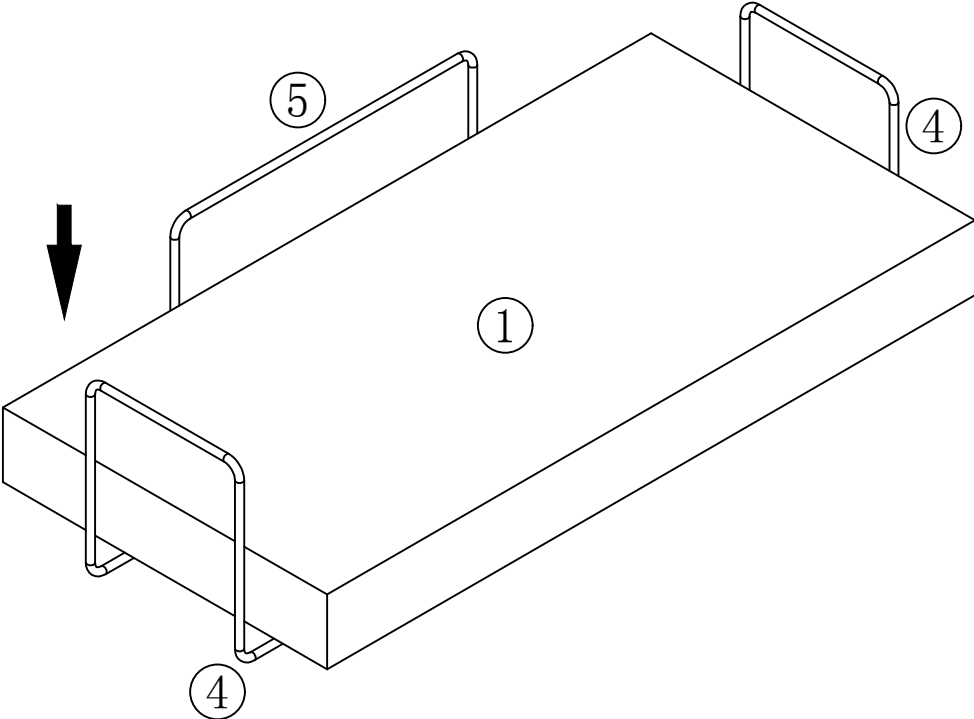
PARTS LIST



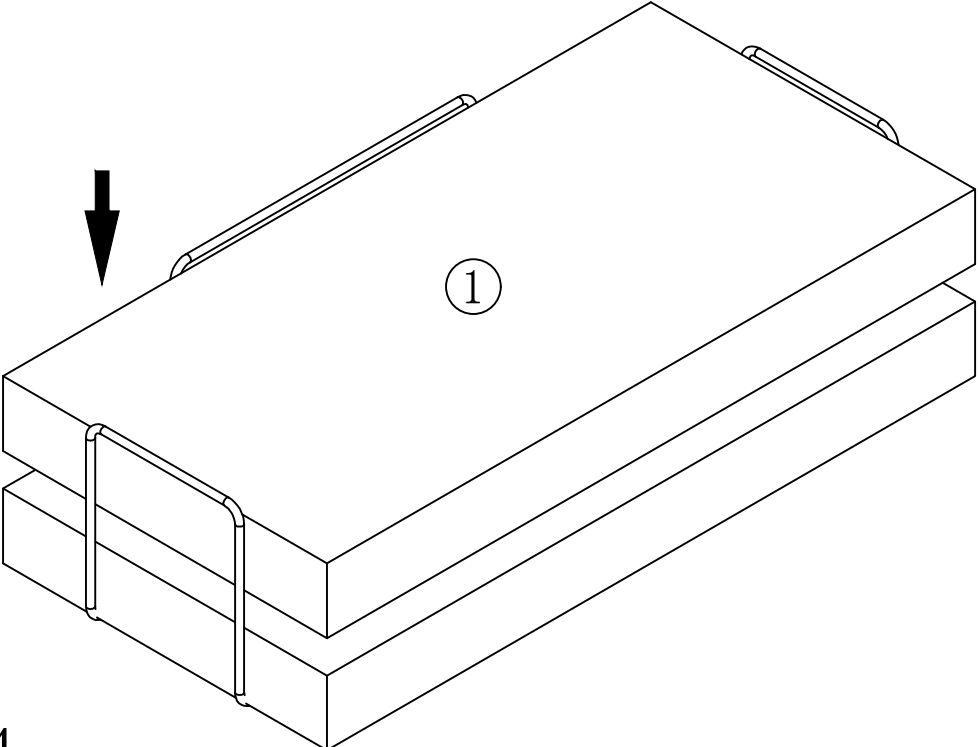
Step 1



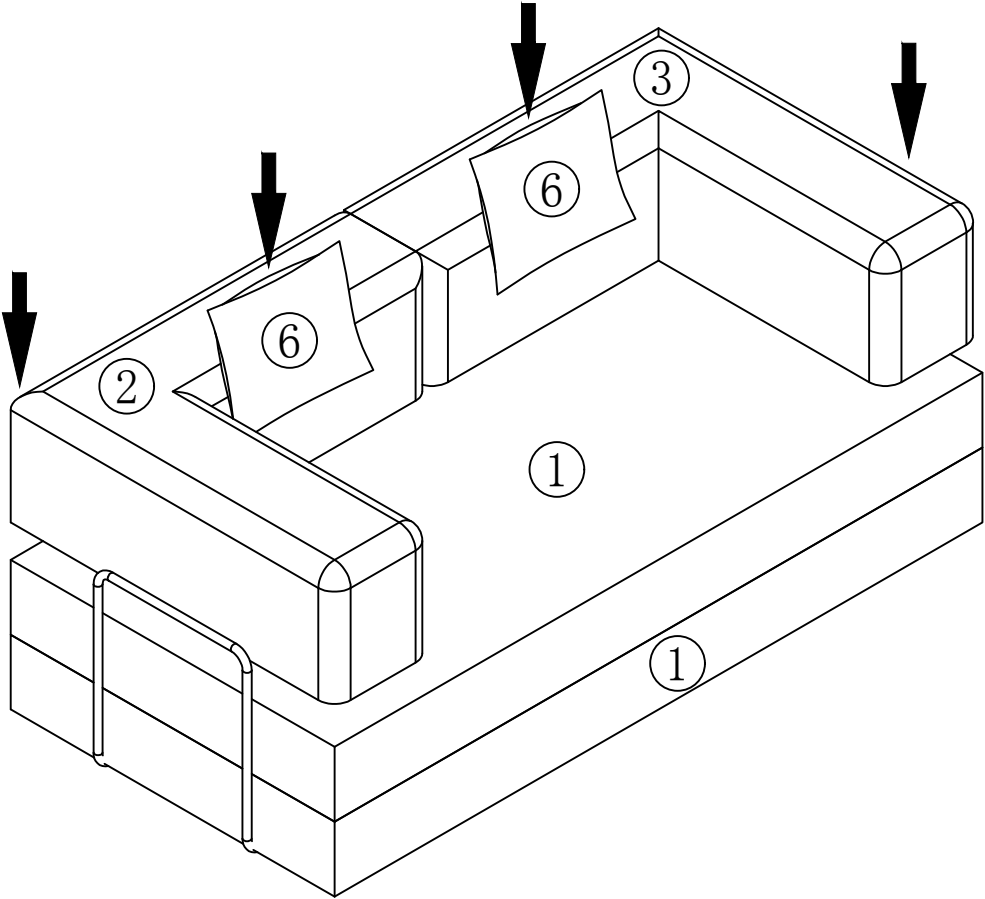
Step 2



Step 3



Step 4



Step 5

