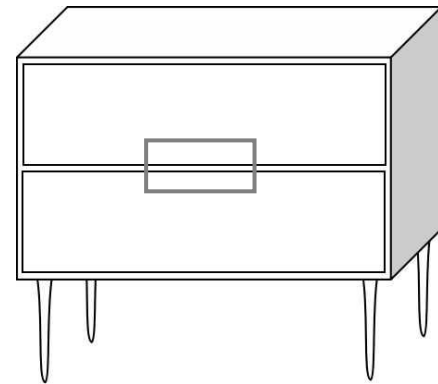


# KIMORI 2 DRAWER NIGHTSTAND

DESIGN # SFV6612A

Assembly Instructions



**Need help?**

Feel free to contact us via email or call if you have any specific questions!

**contact us:**

[cs@safavieh.com](mailto:cs@safavieh.com)

866-422-9070

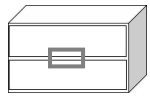
**SAFAVIEH**  
C O U T U R E

# Thanks for bringing Safavieh Couture into your home

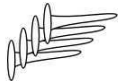
Everything we make is incredibly simple to set up, including your new nightstand. You won't need any additional tools.

## Parts list

A x 1  
Nightstand



B x 4  
Legs



## Hardware list

HW1 x 16  
Allen Bolt 5 X 1 X 15 MM

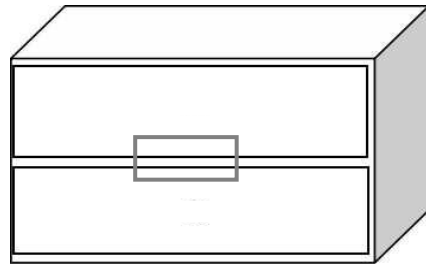


HW2 x 1  
Allen Key 4MM



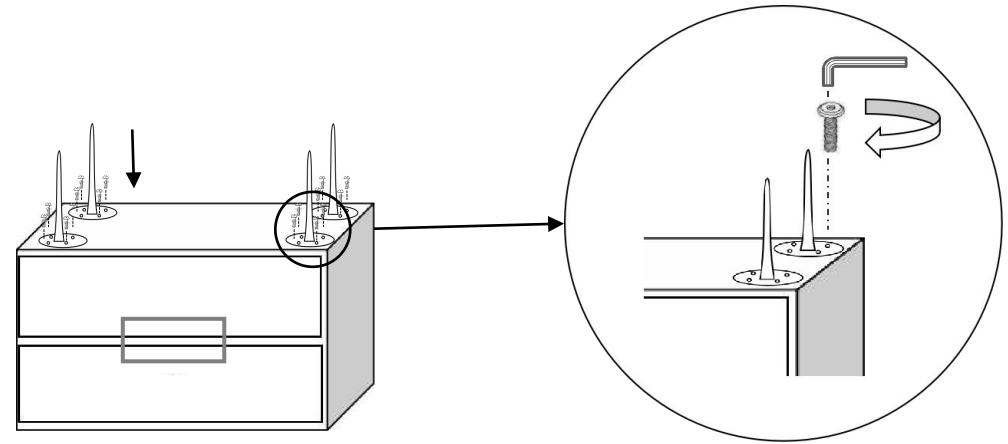
1

Pull open the drawers from the nightstand (A) and remove the hardware and legs (B) from inside. Then place the nightstand (A) upside down on a soft, padded surface to protect its finish and ensure stability.



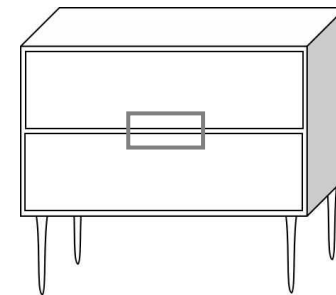
2

Align the screw holes on all four legs (B) to the screw holes on the bottom of the nightstand (A). Attach the legs by using the Allen Key (HW2) to screw in the Allen bolts (HW1). Tighten all the bolts completely.



4

Carefully turn the nightstand upright. Place the nightstand in the place where you will use it. We'd love to see it – just tag us (we're @safavieh) and use the hashtag #safavieh on Instagram!



@safavieh