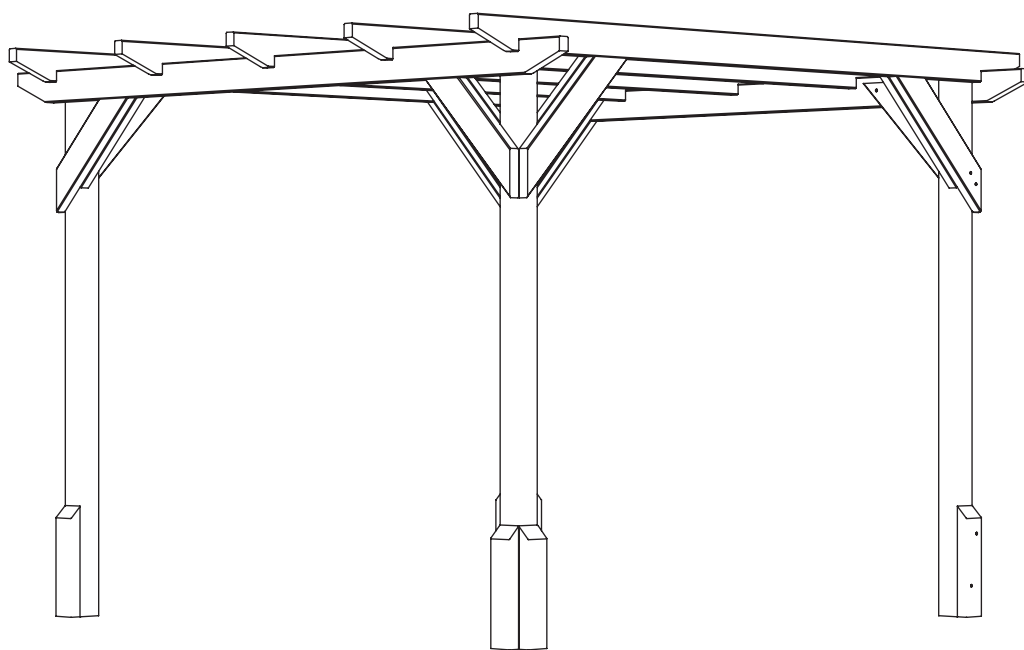


# TIGER GARDEN PERGOLA

---

## GENERAL ASSEMBLY INSTRUCTIONS



# BEFORE YOU GET STARTED

## PLEASE READ INSTRUCTIONS CAREFULLY

- Check the pack and make sure you have all the parts listed.
- When you are ready to start, make sure you have the right tools at hand (not supplied).
- Ensure there is plenty of space and a clean dry area for assembly.

## TIMBER

As with all natural materials, timber can be affected during various weather conditions. For the duration of heavy or extended periods of rain, swelling of the wood logs may occur. Warping of the wood may also occur during excessive dry spells due to an interior moisture loss. Unfortunately, these processes cannot be avoided but can be mitigated. It is suggested that the outdoor building is sprayed with water during extended periods of warm sunshine and sheltered as much as possible during rain or snow.



SUMMER  
CONTRACTION



WINTER  
EXPANSION



WOOD WARPING  
MAY OCCUR

Please do not paint or treat your cabin timbers before assembly as they must stay dry for a snug tongue and groove fit. To validate your guarantee and ensure longevity of the product, it is ESSENTIAL that your building is treated with a suitable wood preserver or paint AFTER assembly, both internally and externally.

## BUILDING A BASE

Care must be taken to ensure the product is placed on a suitable base. When thinking about where the building and base is going to be constructed: Ensure that there will be access to all sides for maintenance work and annual treatment.

Ensure the base is firm and level and is built on firm ground, to prevent distortion. Refer to diagrams for the base dimensions, The base should be slightly smaller than the external measurement of the building, i.e. The cladding should overlap the base, creating a run off for water. It is also recommended that the floor be at least 25mm above the surrounding ground level to avoid flooding.

## TYPES OF BASE

- Concrete 75mm laid on top of 75mm hard-core.
- Slabs laid on 50mm of sharp sand.
- Timber Base - Self constructed/Buy pre-made.



CONCRETE BASE



SLAB BASE



TIMBER BASE



BROKEN SLABS



BARE SOIL



LOOSE GRAVEL

**CAUTION:**

All buildings should be erected by two competent adults.



**CAUTION:**

It is advisable to wear safety gloves during building installation.



*Whilst all products manufactured are made to the highest standards of safety and in the case of children's products independently tested to EN71 level, we cannot accept responsibility for your safety whilst erecting or using this product.*



The mark of responsible forestry

FSC® C125286



**MADE IN THE UK SINCE 1913.**

We have been making our high quality, great value sheds here in Britain for decades.

# BEFORE YOU GET STARTED

## TOOLS REQUIRED:

We recommend using the following tools (not supplied):



DRILL



RUBBER Mallet



SCREWDRIVER +



LADDER



TAPE MEASURE



SHARP KNIFE



SPIRIT LEVEL

## FIXING KIT GUIDE:

### IMPORTANT:

Customer to supply own fixings for type of ground.  
Posts 92mm square.



S70

Screws (70mm Galvanised - QTY 55)

S100

Screws (100mm Galvanised - QTY 10)

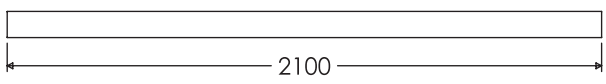
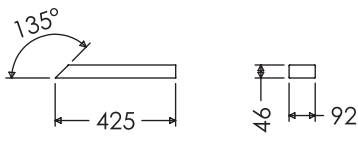
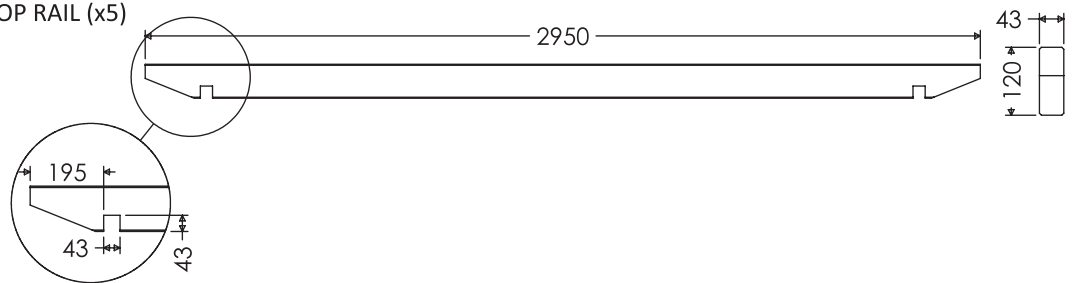
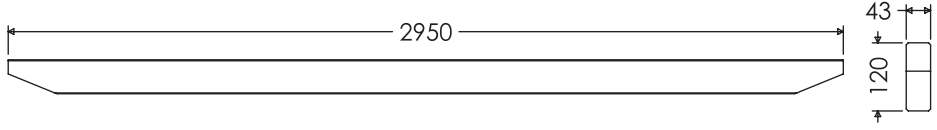
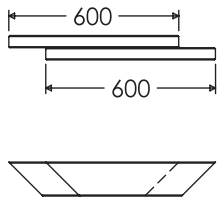
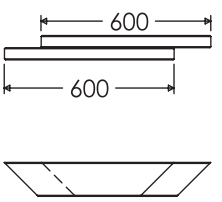
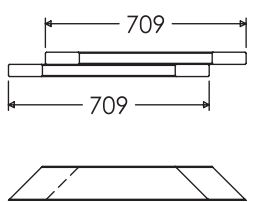
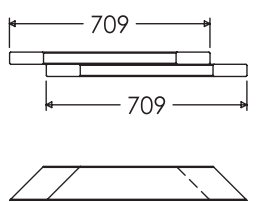
- Assembly is relatively straightforward if you follow these step by step instructions.
- We recommend getting everything aligned properly before screwing together and that **screw holes should be pre-drilled to avoid splitting the timber.** (Do not come pre-drilled).

## IMPORTANT

- Before assembly please make sure you have a suitable base ready to erect your building on.
- This base **MUST** be firm and level to ensure that the building is assembled properly and lines up.
- Please carefully unpack the components in your delivery, and remove the timber supports that make up the delivery pallet.
- **CAUTION:** Parts may have moved during transportation. Be careful when unpacking supplied shed.
- **DO NOT** start your build until you have checked that all the parts of your building are present, correct and in a suitable condition.
- Pre-drilling screw holes is recommended to reduce the chances of the timber framing splitting.
- If you are organising a third party to install your building, it is best practice not to schedule this immediately on receipt of your order, to give you time to check your delivery.

### BUILDING PACK CONTENTS:

For full details of what should be included please see the Product Construct Diagram and itemised Cutting List that are supplied with the delivery. They are also available on request in pdf form from our helpful Customer Support team – please call 0113 2054189 for Customer Support or use the Items Delivered Query form at [tigersheds.com/contact](http://tigersheds.com/contact).

| PRODUCT CODE : 1010SPERG   | ORDER NUMBER : | DRAWING NUMBER :   | CONFIRMED DATE : |
|--|----------------|--|------------------|
| <p>UPRIGHT POST (x4)</p>              |                | <p>FOOT (x8)</p>                      |                  |
| <p>TOP RAIL (x5)</p>                |                |  |                  |
| <p>SIDE LOG (x2)</p>               |                |  |                  |
| <p>SUPPORT ARM LH - SHORT (x2)</p>  |                | <p>SUPPORT ARM RH - SHORT (x2)</p>  |                  |
| <p>SUPPORT ARM LH - LONG (x2)</p>   |                | <p>SUPPORT ARM RH - LONG (x2)</p>   |                  |

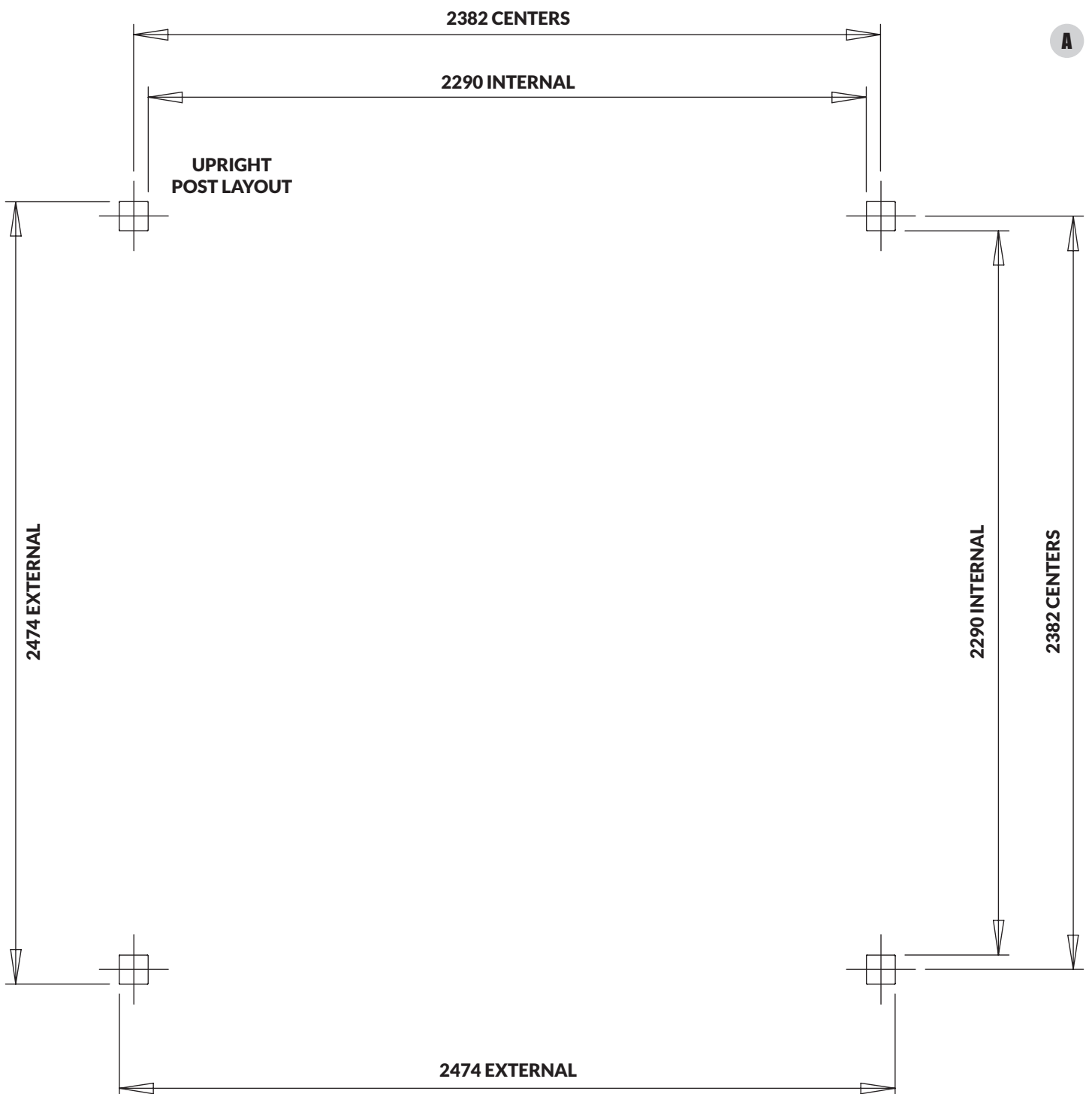
# TIGER GARDEN PERGOLA ASSEMBLY GUIDE

## IMPORTANT:

Customer to supply own fixings  
for type of ground.  
Posts 92mm square.



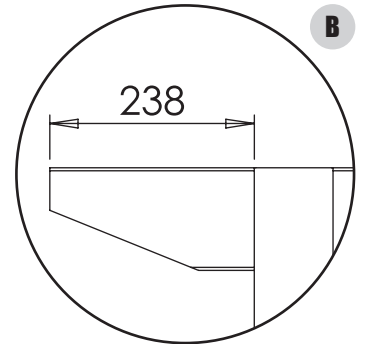
**NOTE - Make sure that customer supplied fixings  
are in place before building commences - For post layout. (Detail A)**



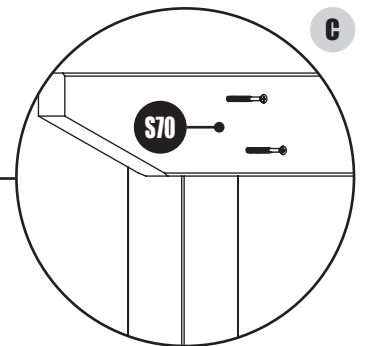
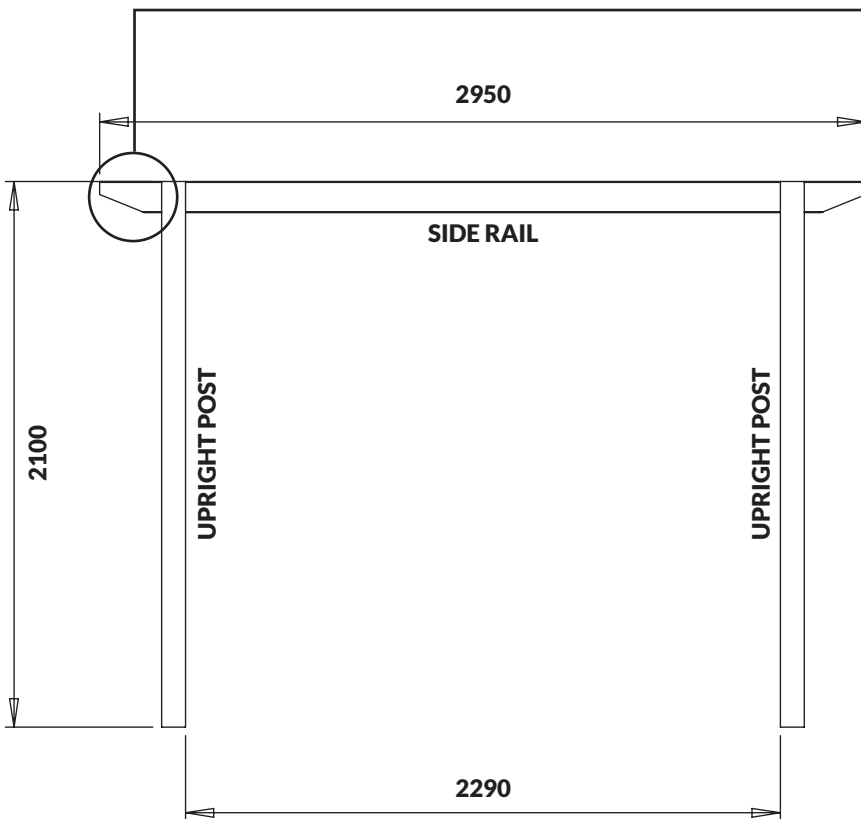
# Step 1:

- Layout upright posts and side rails (un-notched) as shown. **(Detail B)**
- Pre-drill holes in side rails to reduce risk of wood splitting.
- Secure together using 2x 70mm **(S70)** screws per join. **(Detail C)**
- **NOTE - Make sure frame is square.**
- Repeat for other side.
- Stand frames upright and secure to fixings.

INSIDE VIEW

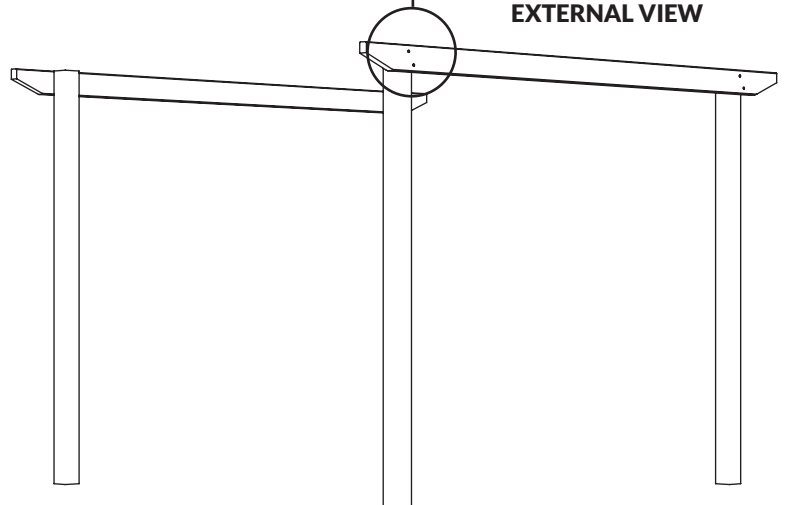


B



C

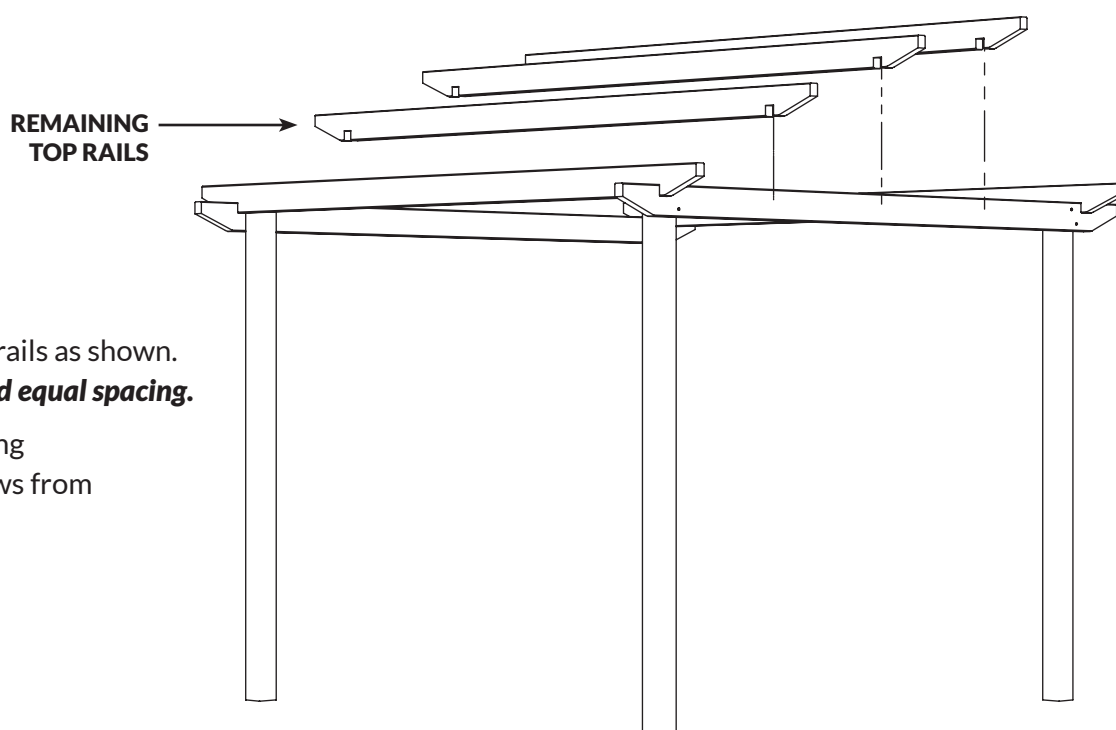
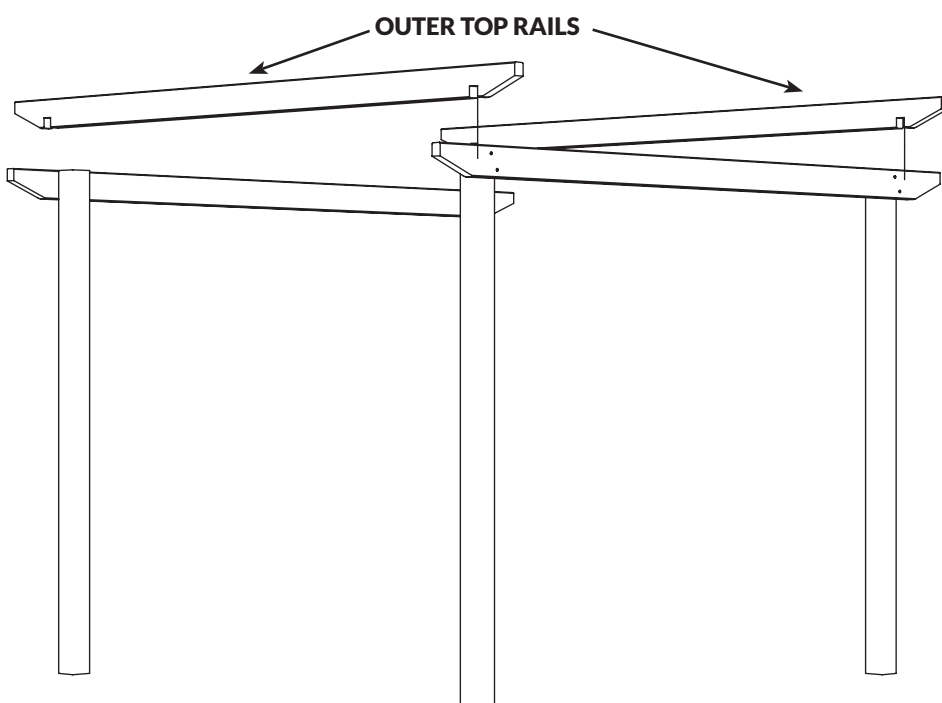
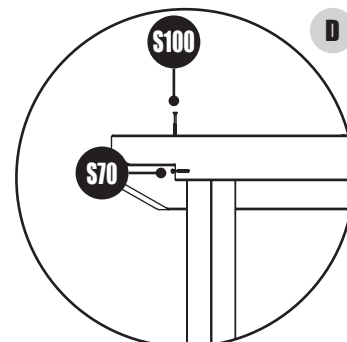
EXTERNAL VIEW



# TIGER GARDEN PERGOLA ASSEMBLY GUIDE

## Step 2:

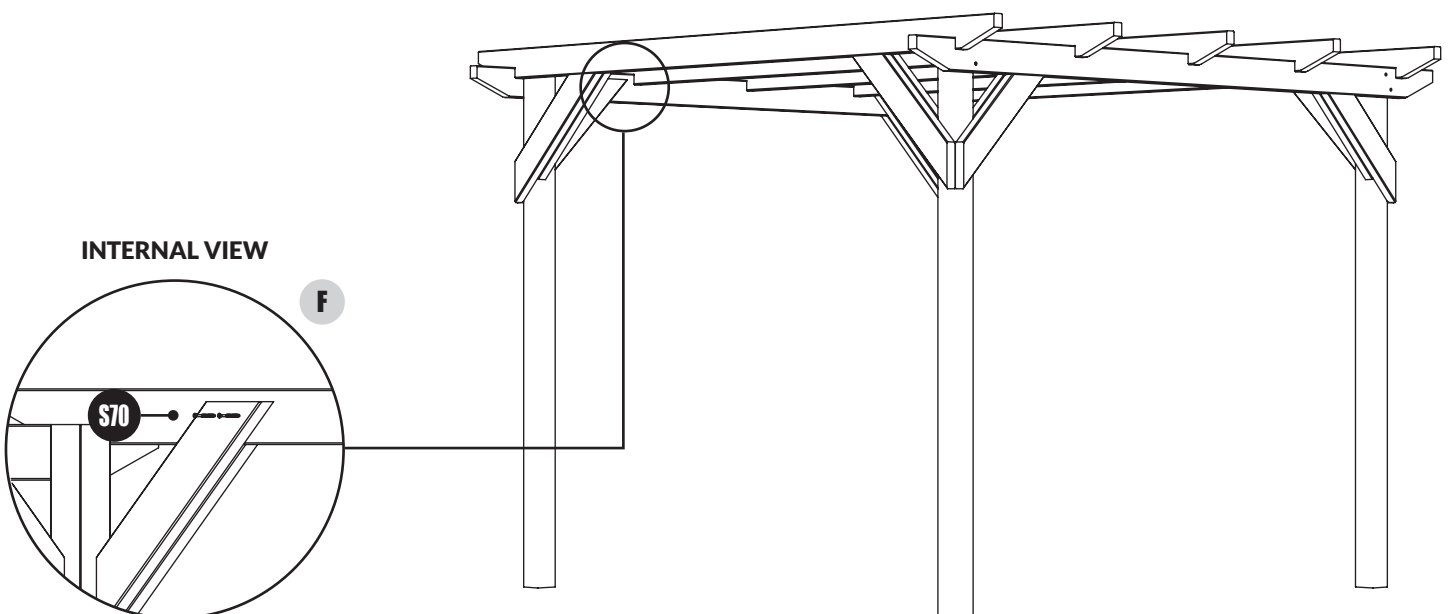
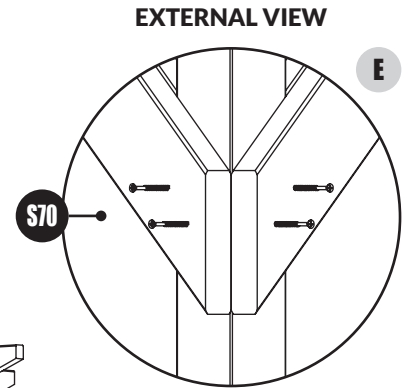
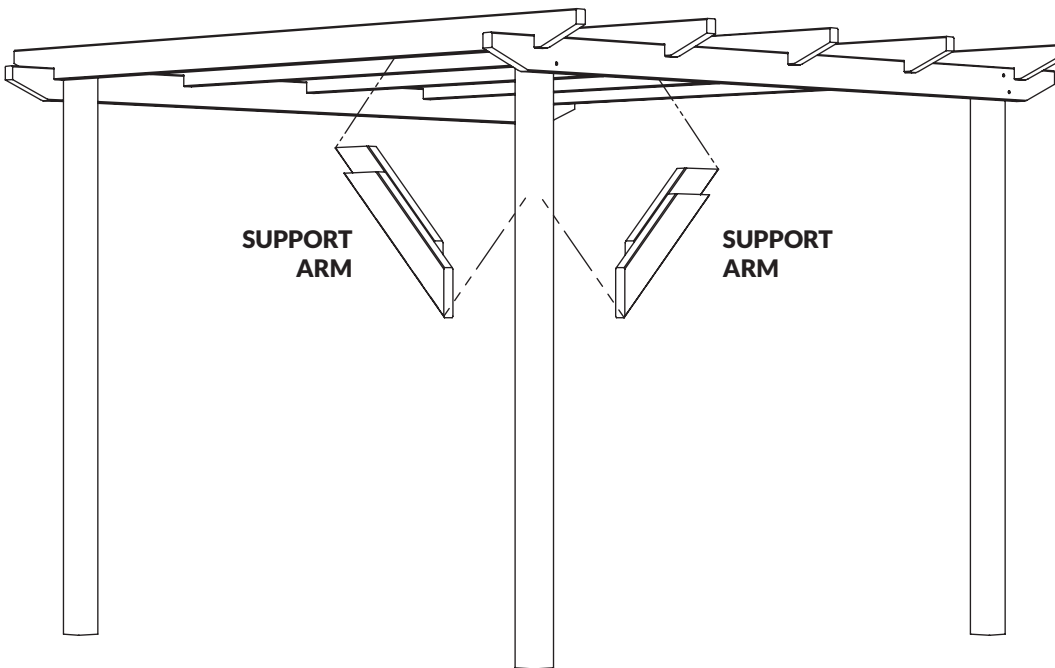
- Slot in outer top rails (notched) as shown. **(Detail D)**
- Pre-drill holes in top rails to reduce risk of wood splitting.
- Secure to side rail using 1x 100mm **(S100)** screw from top and 1x 70mm **(S70)** screw from front into upright post. **(Detail D)**
- Repeat for all remaining corners.



- Slot in remaining top rails as shown.  
**NOTE - We recommend equal spacing.**
- Secure to side rail using 2x 100mm **(S100)** screws from top per top rail.

## Step 3:

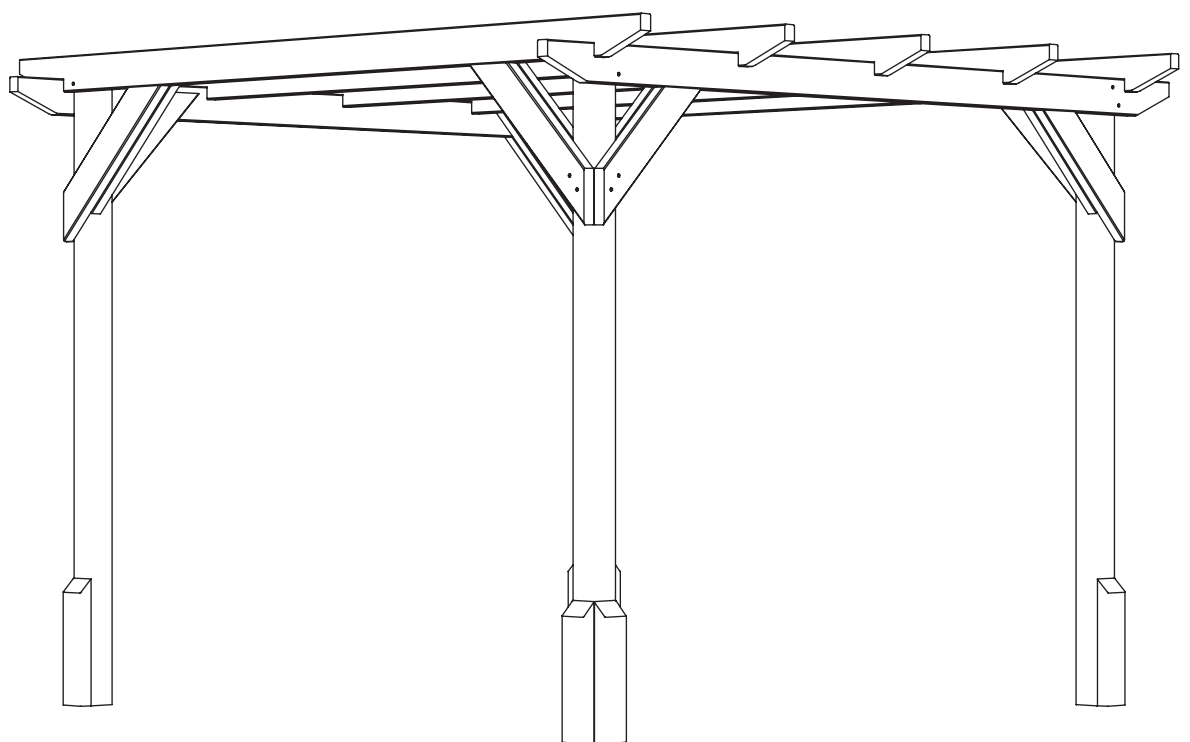
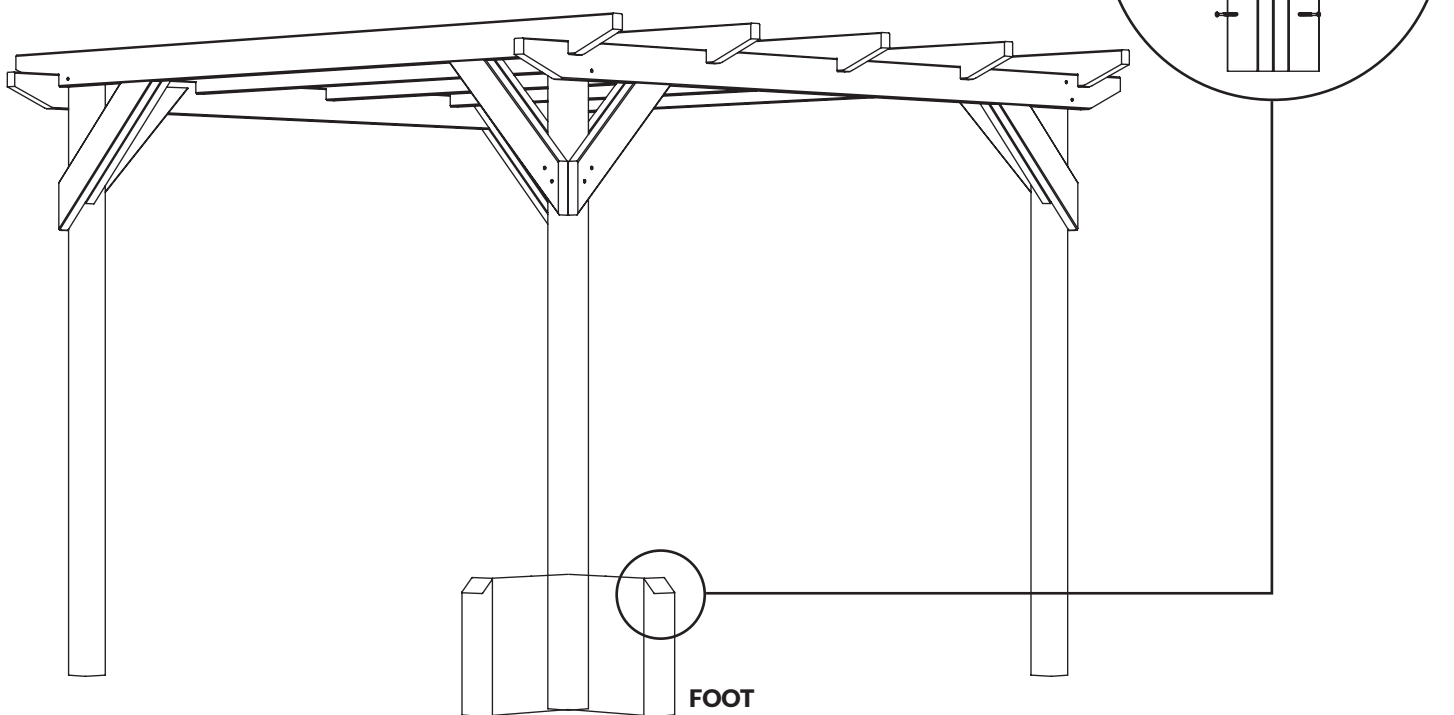
- Slot together pergola support arms into the corner of framework.
  - Pre-drill holes to reduce risk of wood splitting.
  - Secure to upright post using 2x 70mm (S70) screws per join. (Detail E)
  - Secure to horizontal rails using 2x 70mm (S70) screws per join. (Detail F)
- NOTE: We recommend securing from the inside as shown.**
- Repeat for remaining corners.



# TIGER GARDEN PERGOLA ASSEMBLY GUIDE

## Step 4:

- Pre-drill holes in feet to reduce risk of wood splitting.
- Secure feet to upright post using 2x 70mm (**S70**) screws per foot.  
2 feet supplied per post. (**Detail G**)  
**NOTE: Please check type of ground fixings used that the feet can sit flush.**
- Repeat for remaining corners.



Please retain instructions for future reference

**INS40**



**Display Agent**

Woodlands DIY Store  
Station Yard,  
Horsforth,  
Leeds,  
LS18 5NZ

---

**Telephone:** 0113 205 4189  
**Website:** [tigersheds.com](http://tigersheds.com)  
**Email:** [customersupport@tigersheds.com](mailto:customersupport@tigersheds.com)

