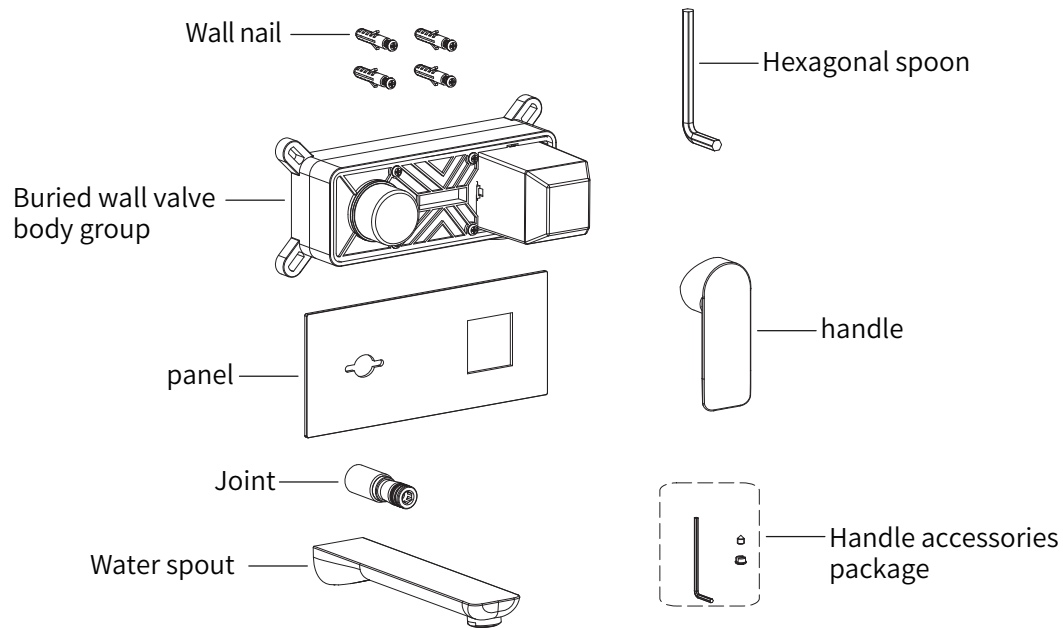


## Product Parts list



### Matters needing attention:

1. Before installing, please check whether all parts are complete according to the product parts list. If the product parts are incomplete or the parts are damaged, please contact the merchant immediately to get help.
2. Make sure that the connector size of the faucet match the size of the embedded inlet water pipe.
3. The product has been detected and commissioned in advance, please do not disassemble yourself.
4. Before installing the faucet, clean up the impurities in the embedded water pipe to avoid blocking.
5. After installation completed, open the water source and check whether all parts are closely connected and if there is leakage.

### Maintenance:

**In order to keep the surface of the faucet clean and bright, please clean the faucet oftenly and regularly:**

1. Clean faucet surface with water, and dry it with soft cotton cloth;
2. Do not use the detergent containing rough particles to clean the faucet surface to avoid product wear;
3. Because acidic detergents can erode coating, when cleaning tiles with acidic detergents, avoid the surface of the faucet to the detergent.

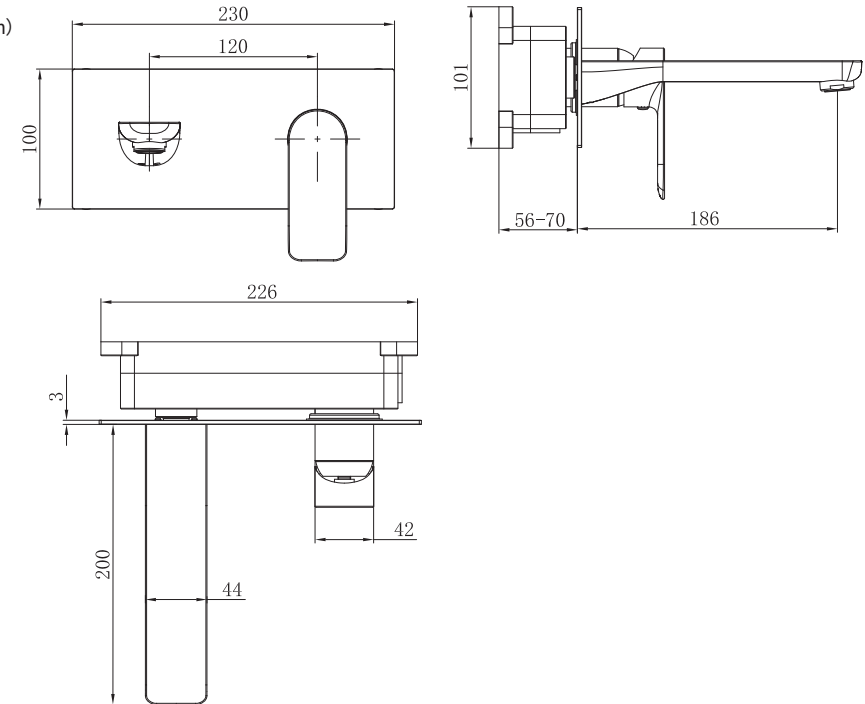
**Note: If it is necessary to clean up, please use a mild liquid cleaner, colorless glass cleaner or a brightening liquid without wear.**

4. After clean up finished, please remove the residual cleaner with water immediately, and dry it with soft cotton cloth.

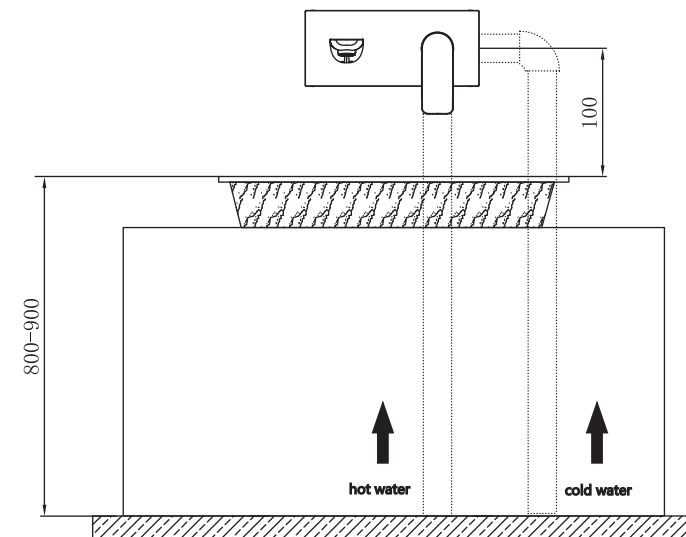


## Product Size Chart

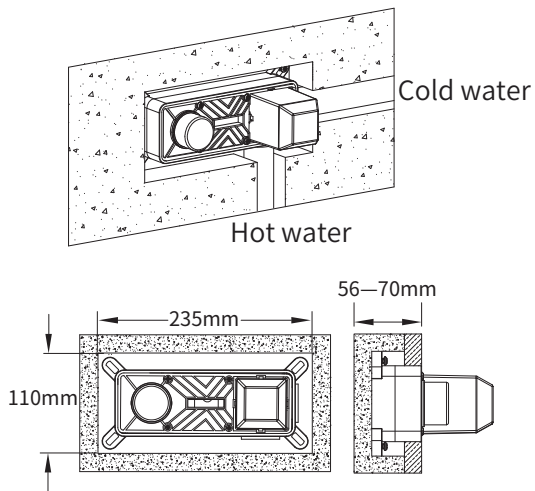
(Unit:mm)



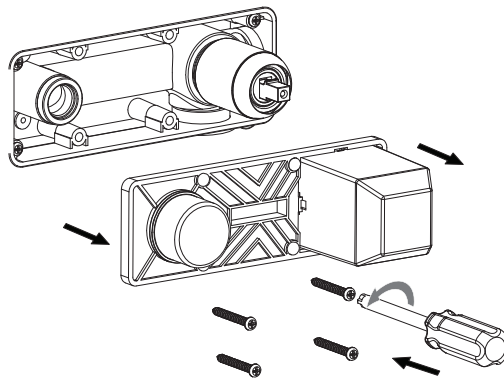
## Waterway reference diagram



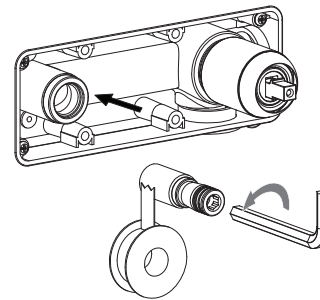
1



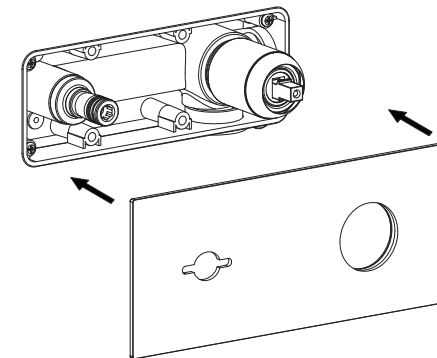
2



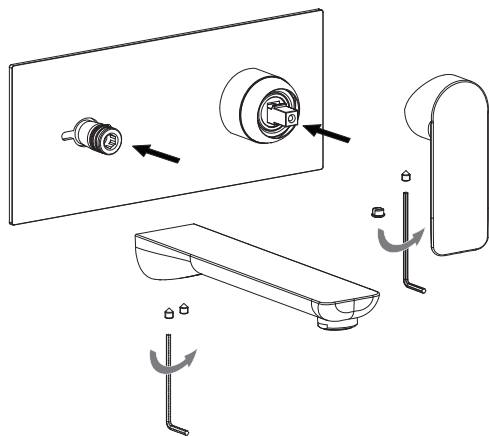
3



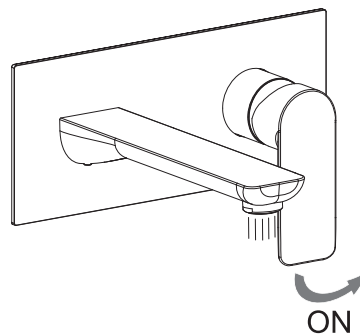
4



5



6



#### Installation steps:

1. Open the embedded hole in the size of the figure and connect the hot and cold water hoses to the value body. Install the value body into the embedded hole and fix it with wall nails. Make sure the hot and cold water road are connected correctly.
2. Remove the noodle cover of the value body after the step one finished.
3. Install the water joint, wrap an appropriate amount of raw material band at the thread connection position and use hexagonal spoon to fix the joints to the subject.
4. Install the panel, makesure the panel is uniform and flat with the wall surface.
5. Install the water spout and faucet handle and lock them with screw.
6. Turn on the handle, check whether the faucet is operating normally, and whether there is a leak.

#### Usage method:

1. Tingle the handle up and down the hand can control the water flow.
2. Trun the handle to lift or right to control the temperature of water.

#### Service conditions:

1. Supply pressure: 0.05-1.0Mpa(0.5-10Kgf/cm).
2. The ambient temperature should be more than 0°C.
3. The water temperature should be not higher than 90°C.
4. The torque at the nut connection shall not be greater than 10Nm.

**NOTICE:** In the process of embedding the wall, please do not remove the protective kit to avoid damaging the copper sleeve.