

# TABLE OF CONTENTS

---

01	Important Safety Instructions	01	Tools Needed
02	Parts List	04	Assembly
12	Warranty Information		

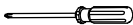
---

## IMPORTANT SAFETY INSTRUCTIONS

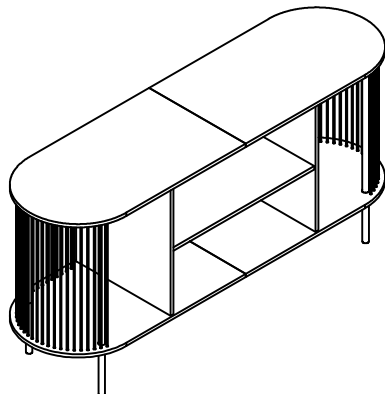
- Check if all the parts are complete before installation.
- Read through the instructions before installing the cabinet.
- Keep the small parts away from children to avoid the risk of swallowing.

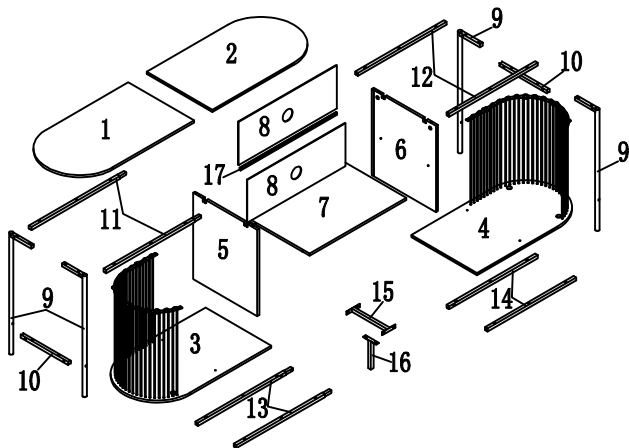
## TOOLS NEEDED

Screws Driver -1PC

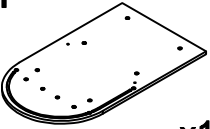
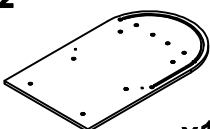
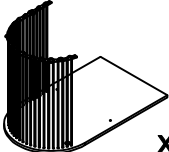
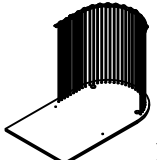
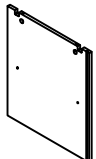
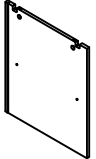
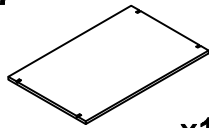
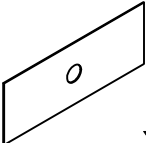

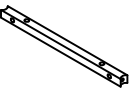
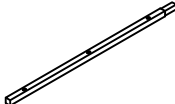
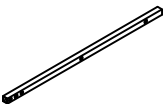
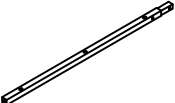
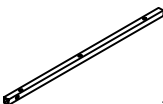
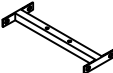





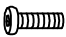
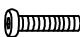

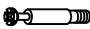




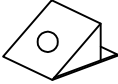


( Not included)





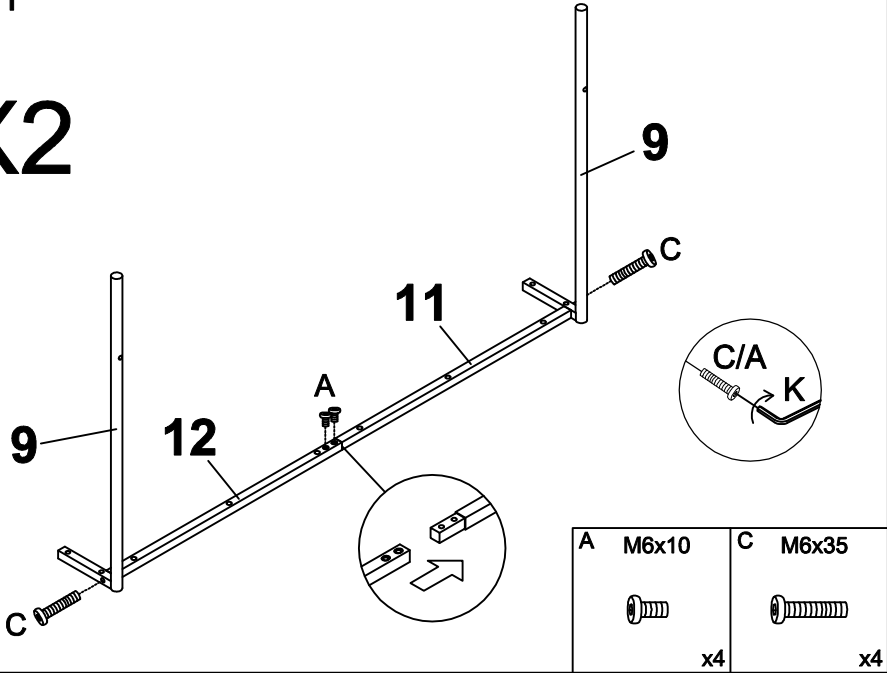
## Packing List

<b>1</b>  x1	<b>2</b>  x1	<b>3</b>  x1	<b>4</b>  x1
<b>5</b>  x1	<b>6</b>  x1	<b>7</b>  x1	<b>8</b>  x2
<b>9</b>  x4	<b>10</b>  x2	<b>11</b>  x2	<b>12</b>  x2
<b>13</b>  x2	<b>14</b>  x2	<b>15</b>  x1	<b>16</b>  x1
<b>17</b> 580mm  x1			

<b>A</b> M6x10  <b>x16</b>	<b>B</b> M6x24  <b>x36</b>	<b>C</b> M6x35  <b>x12</b>	<b>D</b>  <b>x4</b>	<b>E</b>  <b>x4</b>
<b>F</b>  <b>x4</b>	<b>G</b> M5x40  <b>x4</b>	<b>H</b> M3.5x12  <b>x32</b>	<b>I</b>  <b>x5</b>	<b>J</b>  <b>x8</b>
<b>K</b>  <b>x1</b>	<b>L</b>  <b>x4</b>			

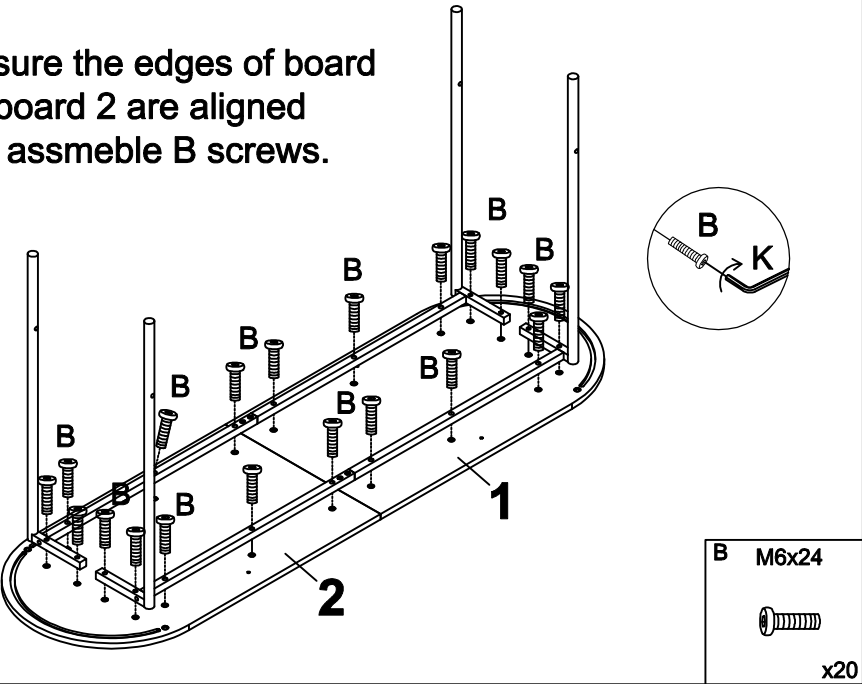
# Step 1

# X2

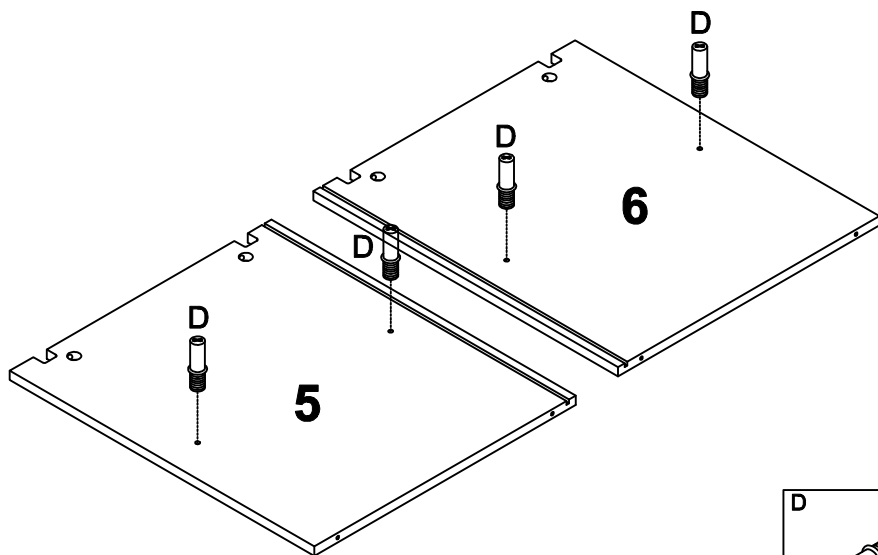


# Step 2

Make sure the edges of board 1 and board 2 are aligned before assemble B screws.

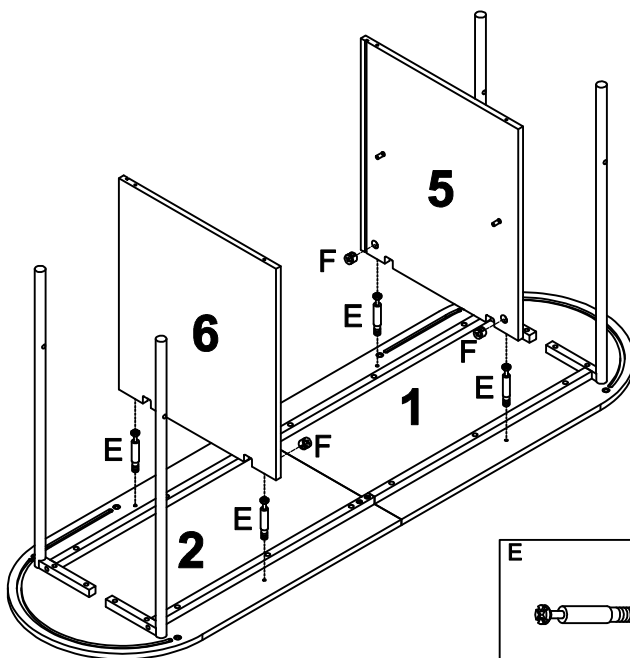


### Step 3



x4

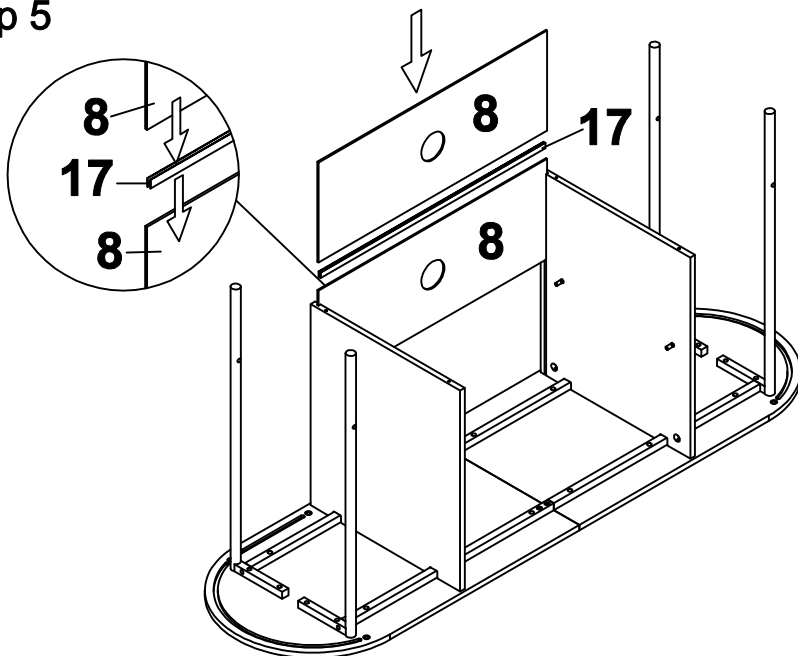
### Step 4



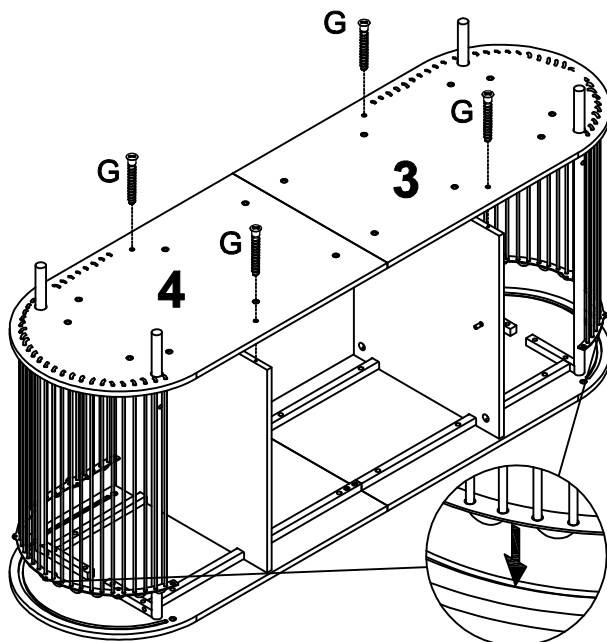
x4

x4

## Step 5



## Step 6

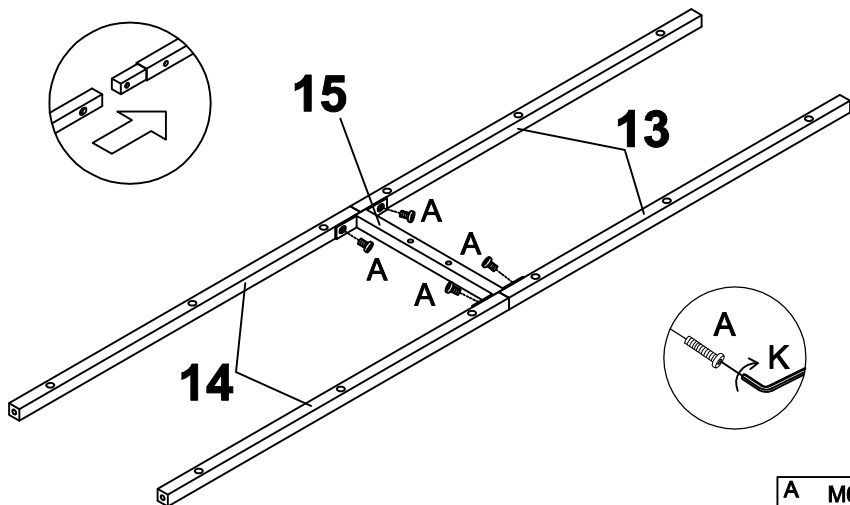


G M5x40



x4

# Step 7

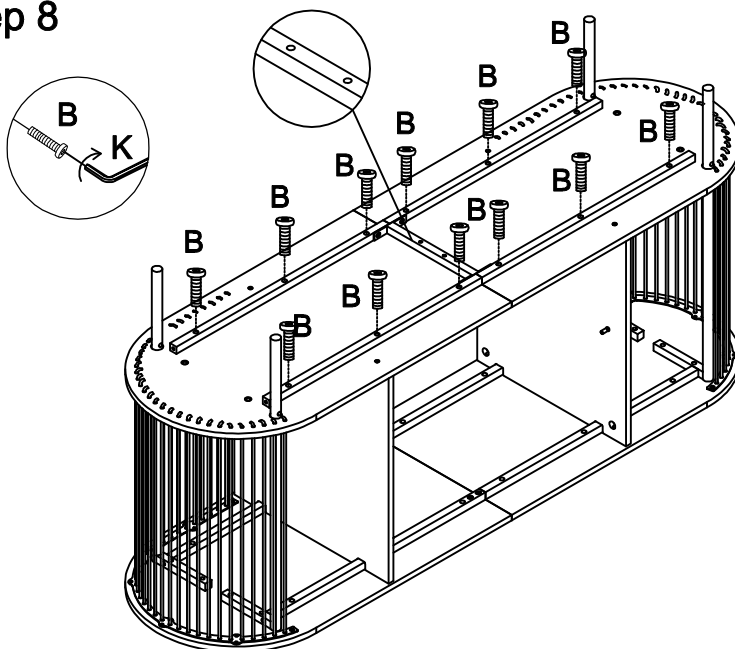


A M6x10



x4

# Step 8

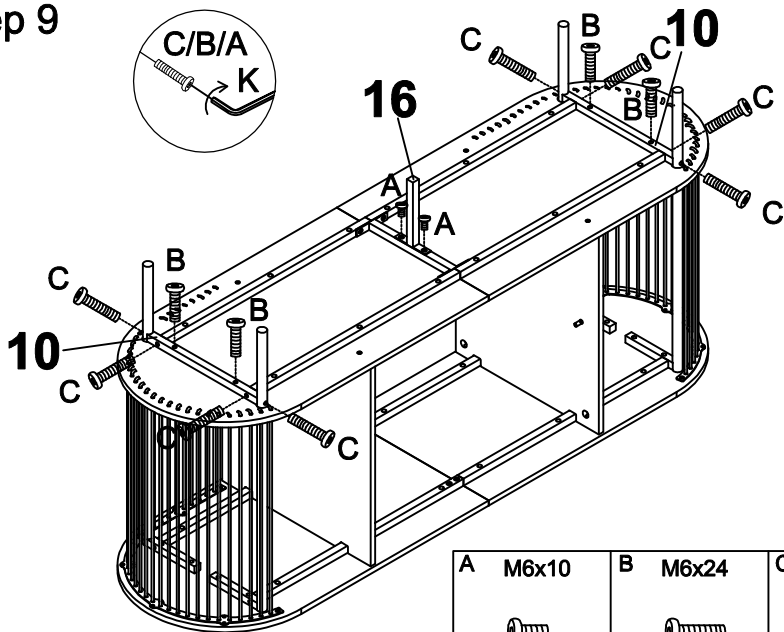




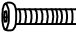
B M6x24



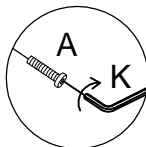
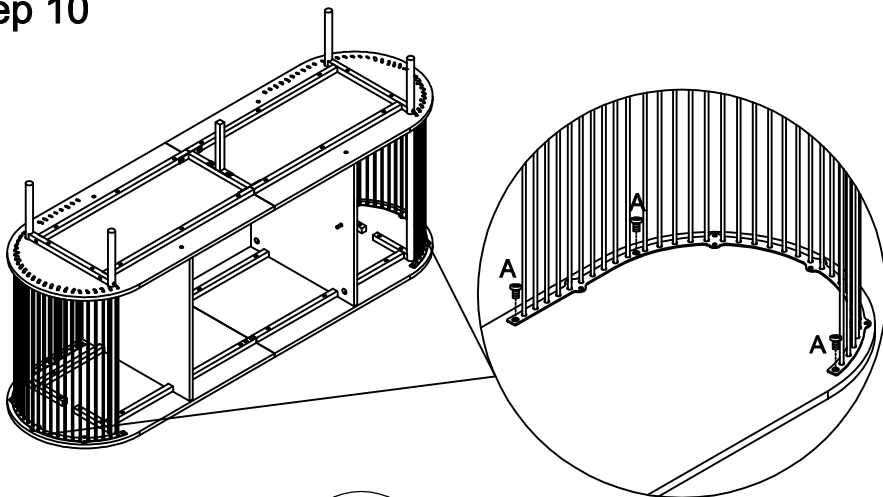
x12


# Step 9



<b>A</b> M6x10  x2	<b>B</b> M6x24  x4	<b>C</b> M6x35  x8
---	---	--

# Step 10



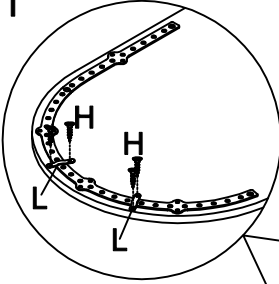
<b>A</b> M6x10  x6
---

# Step 11

Attention: Screw L metal plate with H screws like picture ① after step 10, and then assemble other 8 pcs of H screws like picture ②.

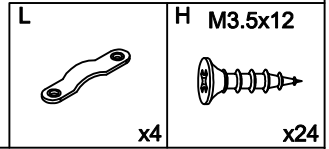
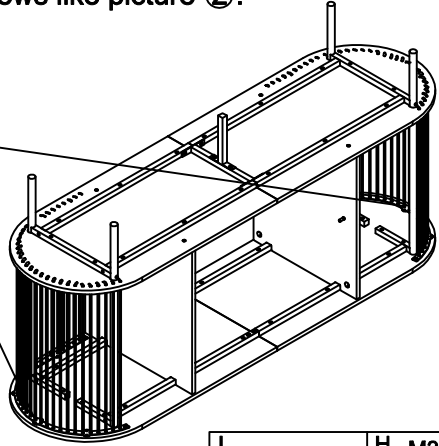
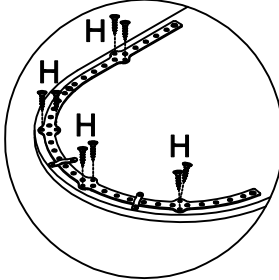
picture

①

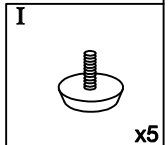
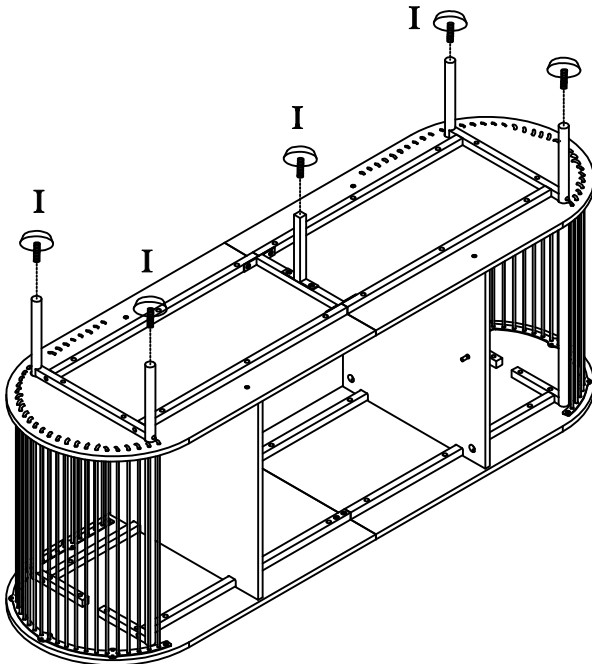


picture

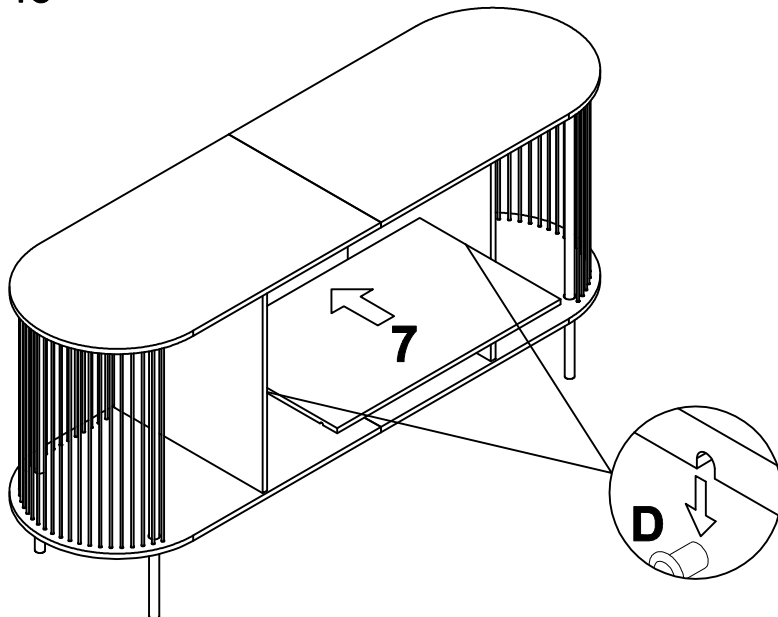
②



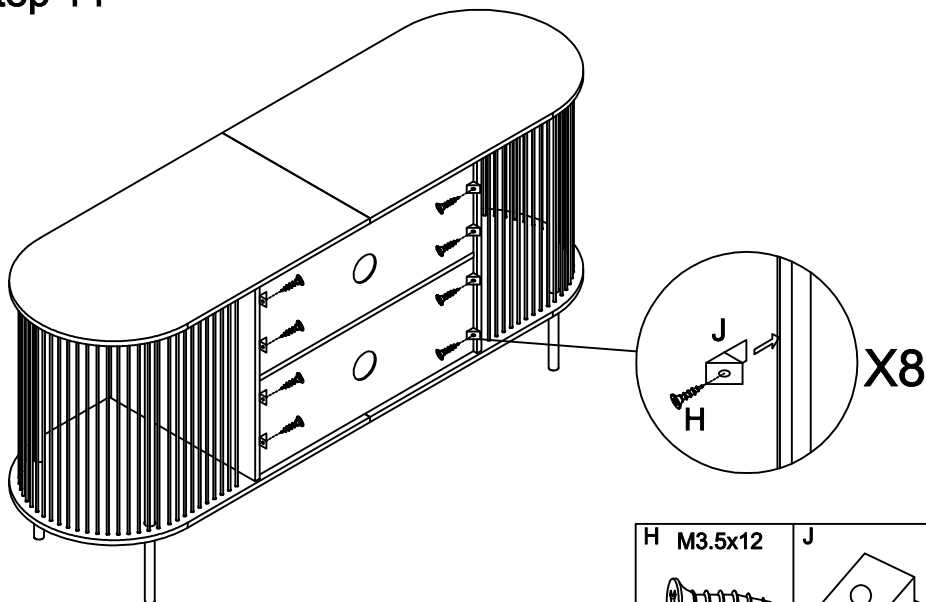
# Step 12



## Step 13



## Step 14

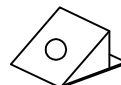


H M3.5x12



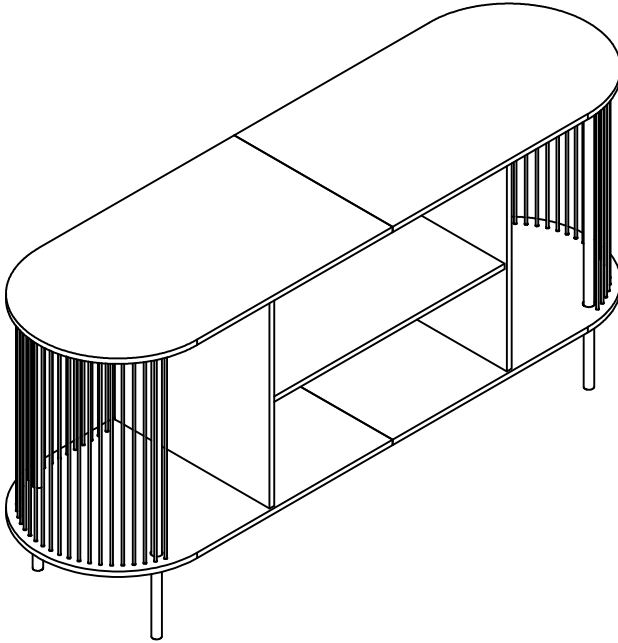
x8

J



x8

**Finish !!!**



## WARRANTY INFORMATION

- Do not expose the surfaces to direct sunlight or to extreme environmental conditions.
- Clean the surfaces preferable with a clean damp cloth, then dry with a clean towel.
- Do not use solvents or abrasive materials to clean the unit. If you decide to use a cleaning agent, test first on an area hidden from view.
- Replacement parts might be available to you at no charge, with an original proof of purchase and where a defect has arisen, wholly or substantially, as a result of faulty manufacturing, parts or workmanship during the Warranty Period.
- The warranty does not extend to regular wear and tear, nor the manufacturer assumes liability for damages or consequences due to accidents, incorrect assembly, negligence, improper use, modifications, or not heeding the above warnings.
-