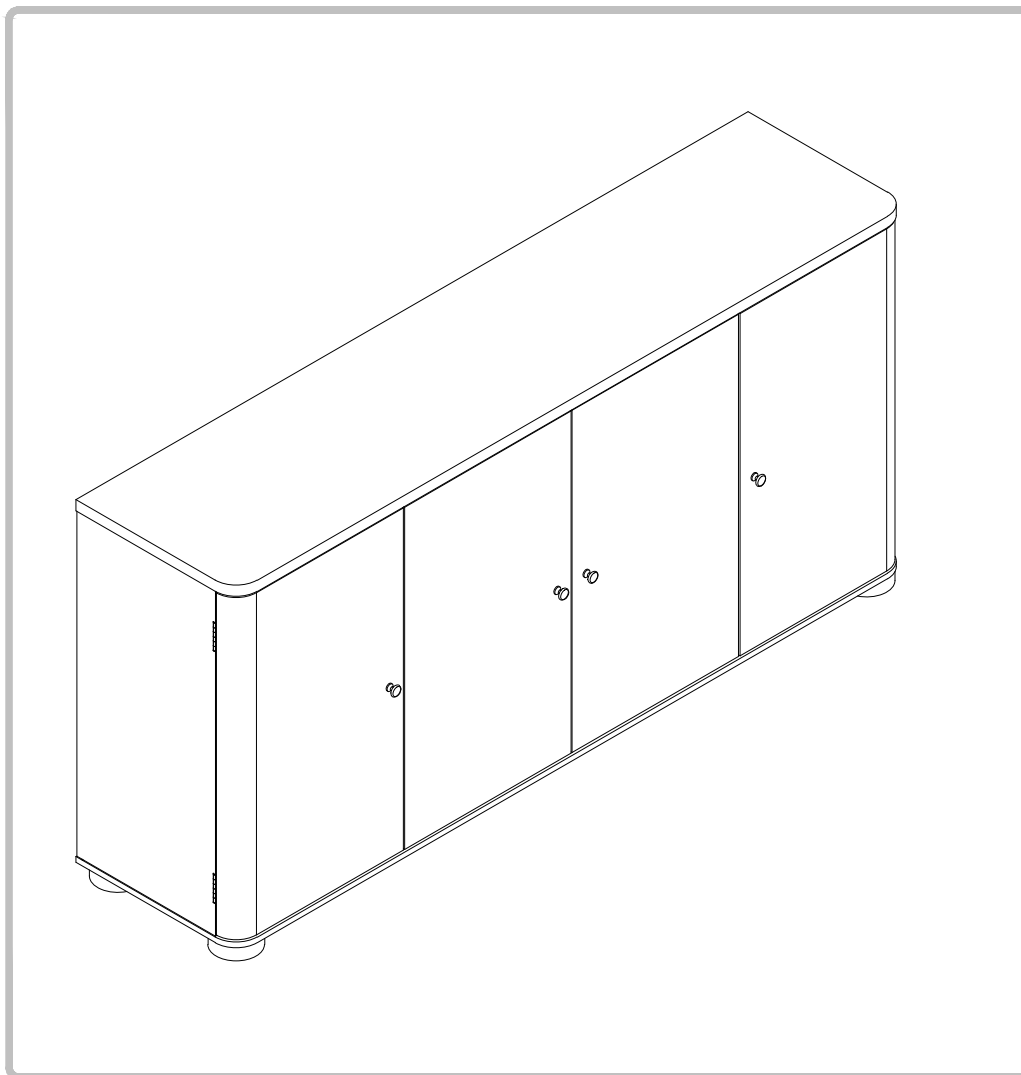


# OWNER MANUAL



**2 ADULTS ASSEMBLY REQUIRED**  
**Se necesitan dos adultos para ensamblar**

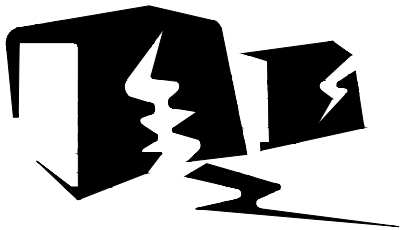
**THIS INSTRUCTION BOOKLET CONTAINS IMPORTANT SAFETY INFORMATION.  
PLEASE READ AND KEEP FOR FUTURE REFERENCE.**

# BUYING TIPS By Customer Team

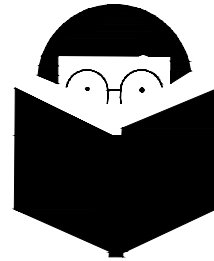
---



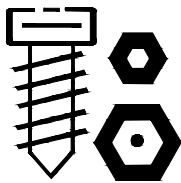
If you have any questions below, please feel free to contact us. We will respond within 24 hours.



ANY DAMAGE



READ INSTRUCTIONS  
CAREFULLY



MISS SOME PARTS



OTHER QUESTIONS

## GENERAL INFORMATION, TIPS AND TRICKS

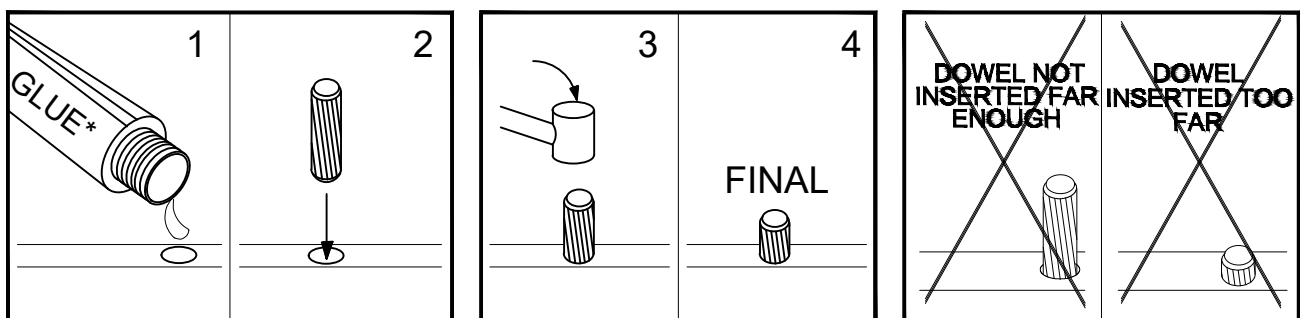
1. Please read the Assembly Instructions prior to assembling this product.
2. Remove all hardware from the box and sort by size.
3. Check to see that all hardware and parts are present BEFORE assembling.
4. Ask a friend to assist you with the assembly of this furniture.
5. To avoid damage, assemble the product on a sturdy, level and protective surface.
6. Please wait until all steps are completed before fully tightening bolts.
7. Make sure all screws and bolts are tightly fastened before the unit is used.

### IMPORTANT

Before you begin: Open, identify and count all parts prior to assembly. Lay out parts on a flat and non-abrasive surface.

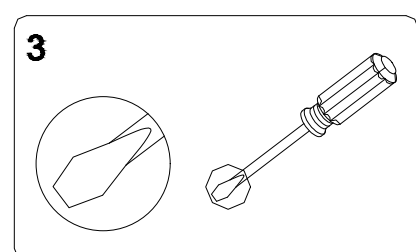
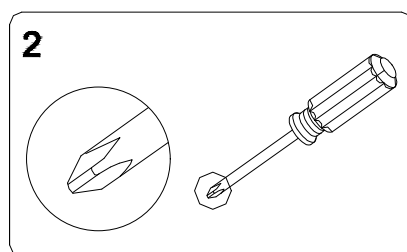
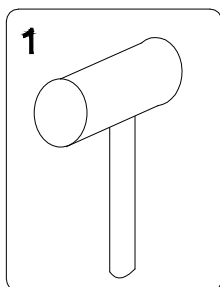
NOTE: IT IS VERY IMPORTANT TO USE GLUE WITH THE DOWELS. EXCESS GLUE CAN BE WIPED OFF WITH A DAMP CLOTH.

Insert Dowel at least half way by tapping lightly with a rubber mallet (not included), IF NECESSARY.



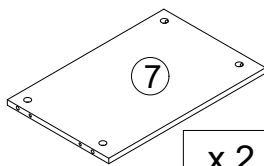
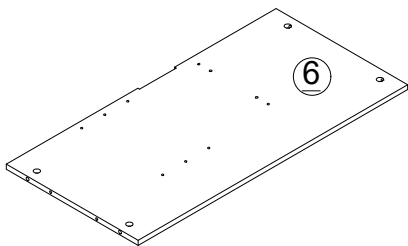
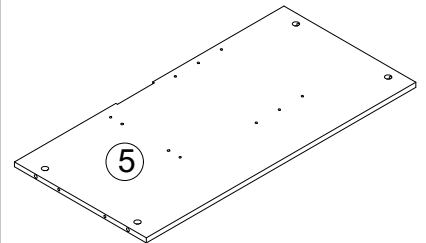
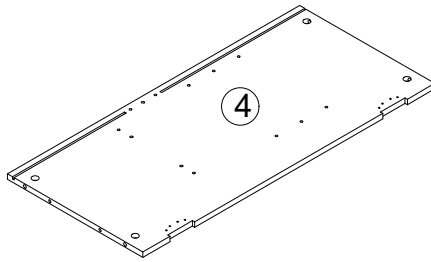
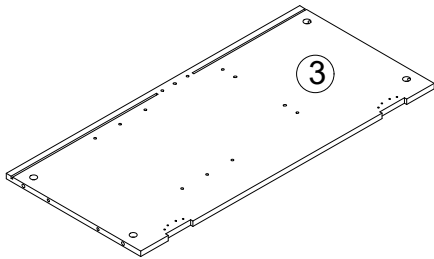
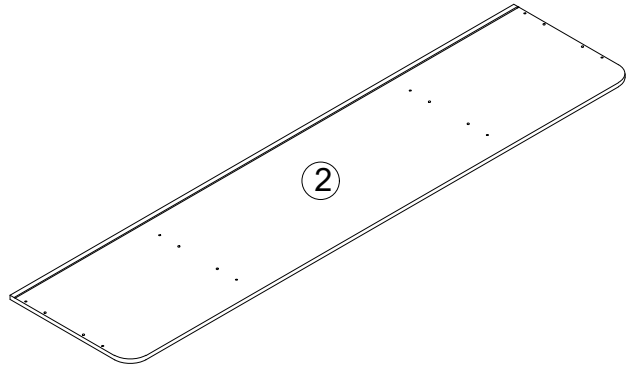
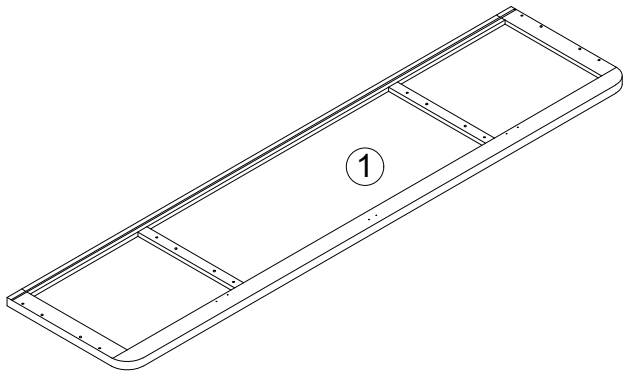
### NECESSARY TOOLS – YOU WILL NEED THESE TOOLS FOR ASSEMBLY

1. RUBBER Mallet
2. PHILLIPS HEAD SCREW DRIVER
3. FLAT HEAD SCREW DRIVER

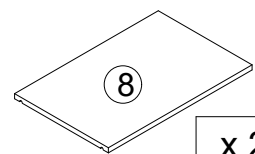


NOW YOU ARE READY TO BEGIN ACTUAL ASSEMBLY!

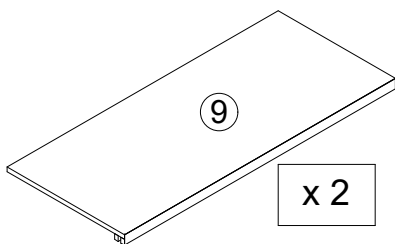
# BOARD IDENTIFICATION



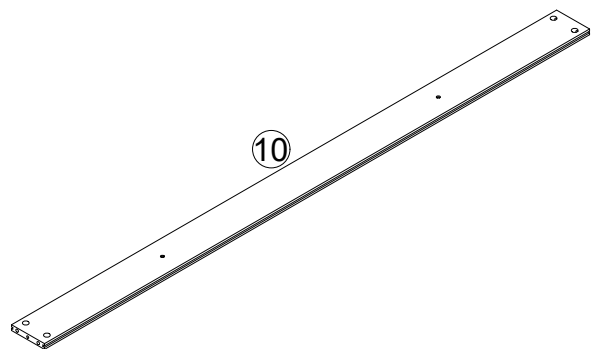
x 2



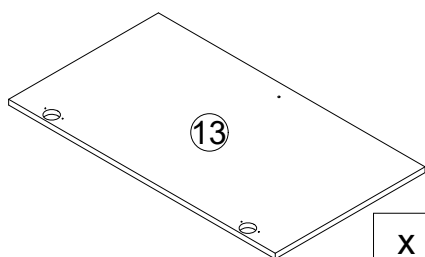
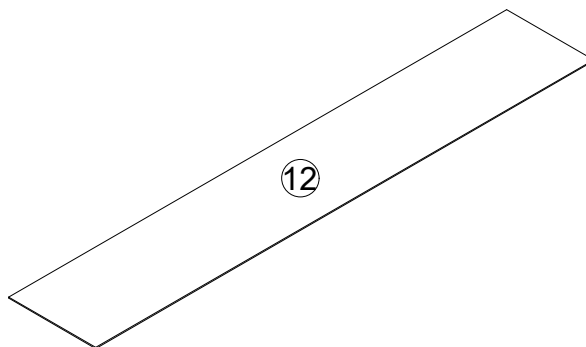
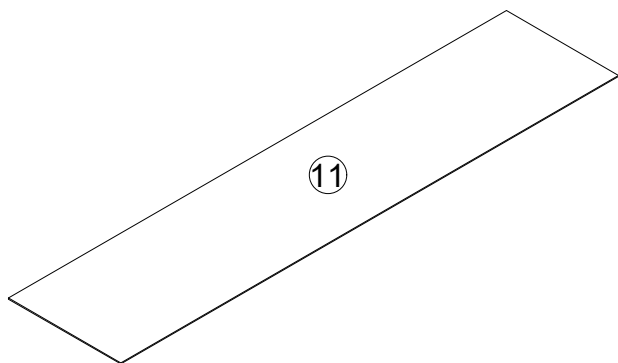
x 2



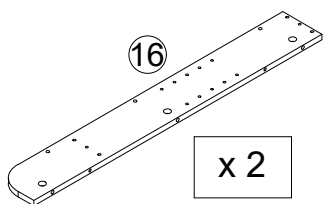
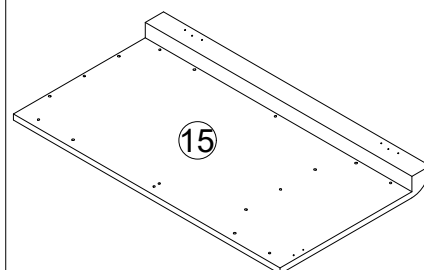
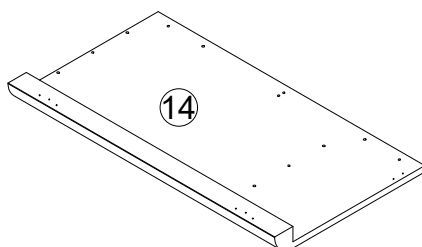
x 2



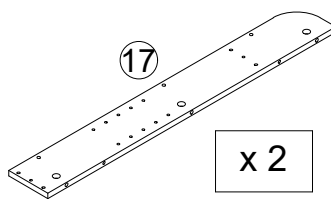
# BOARD IDENTIFICATION



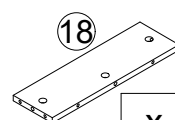
x 2



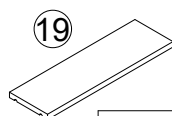
x 2



x 2



x 4



x 2

20



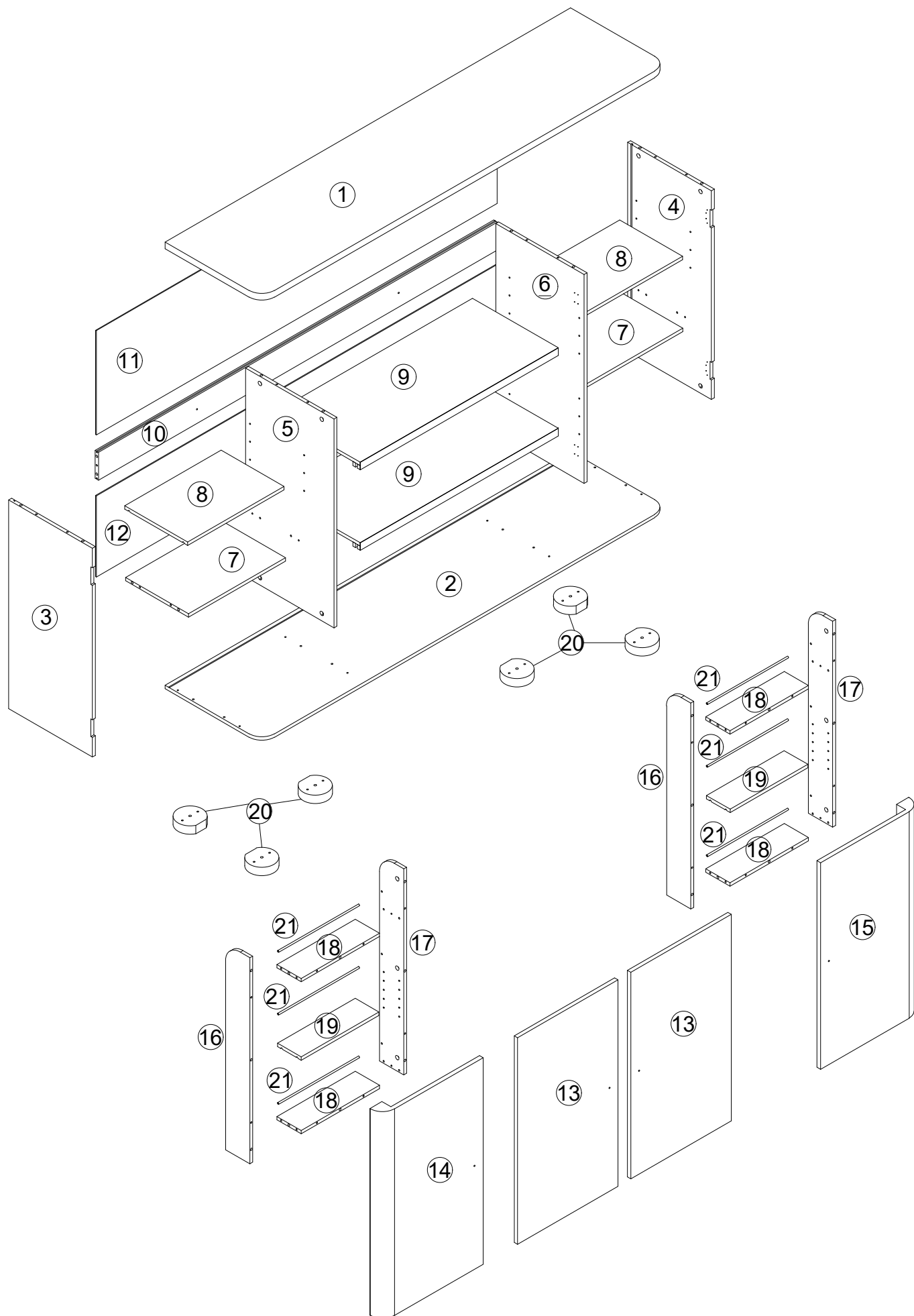
x 6

21


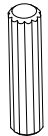
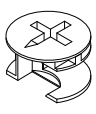

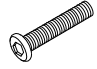


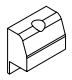

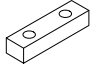



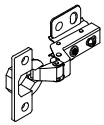
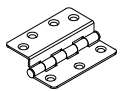




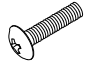


x 6





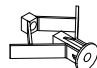
# BOARD IDENTIFICATION



## HARDWARE IDENTIFICATION

<p><b>A</b></p>  <p>Glue Qty: 2</p>	<p><b>B</b></p>  <p>Wood Dowel Ø6*30mm Qty: 70</p>	<p><b>C</b></p>  <p>Cam Lock Ø15*9mm Qty: 52</p>	<p><b>D</b></p>  <p>Cam Bolt Ø7*34mm Qty: 52</p>	<p><b>E</b></p>  <p>Bolt Ø1/4*38mm Qty: 6</p>
<p><b>F</b></p>  <p>Hex key Qty: 1</p>	<p><b>G</b></p>  <p>Screw Ø4*30mm Qty: 2</p>	<p><b>H</b></p>  <p>Plastic wedge Qty: 10</p>	<p><b>I</b></p>  <p>Flat-head screw Ø3*16mm Qty: 10</p>	<p><b>J</b></p>  <p>Door stopper Qty: 1</p>
<p><b>K</b></p>  <p>Shelf Support Qty: 24</p>	<p><b>L</b></p>  <p>Handle Qty: 4</p>	<p><b>M</b></p>  <p>Screw Ø3.5*12mm Qty: 24</p>	<p><b>N</b></p>  <p>Hinge Ø35mm Qty: 4</p>	<p><b>O</b></p>  <p>Hinge Qty: 4</p>
<p><b>P</b></p>  <p>Screw Ø3.5*12mm Qty: 36</p>	<p><b>Q</b></p>  <p>Screw Ø3*14mm Qty: 2</p>	<p><b>R</b></p>  <p>Magnetic door catch Qty: 2</p>	<p><b>S</b></p>  <p>Magnetic door clip Qty: 2</p>	<p><b>T</b></p>  <p>Handle bolt Ø5/32*21mm Qty: 4</p>

## WALL MOUNTING KIT

 <p>Metal Qty: 4</p>	 <p>Steel Cable Qty: 2</p>	 <p>Short Screw Ø4*20mm Qty: 2</p>	 <p>Long Screw Ø4*38mm Qty: 2</p>	 <p>Drywall Anchor Qty: 2</p>
---	---	---	--	--

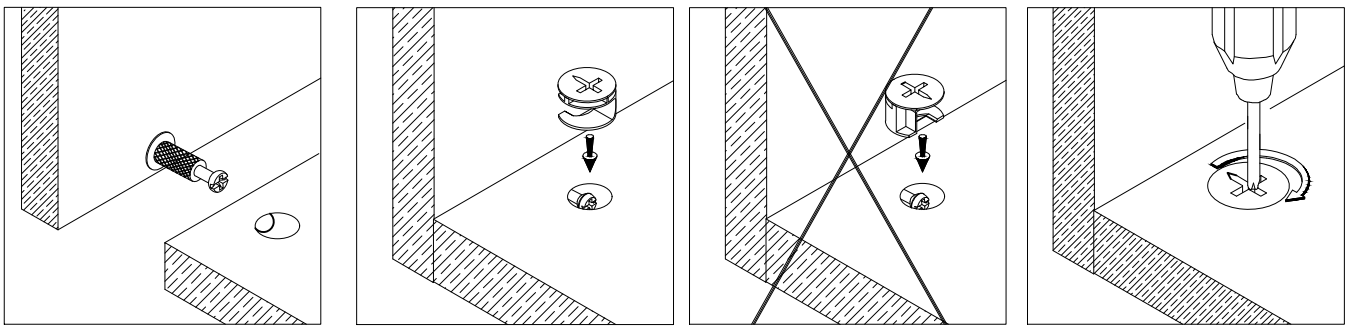
# CAM LOCK SYSTEM OPERATION

**NOTE:** When inserting the Cam Lock, make sure that the Open End of the Cam Lock faces the Cam Screw Entry. The Dowel will be inserted in the hole NEXT to the Cam Lock/Cam Screw Hole.

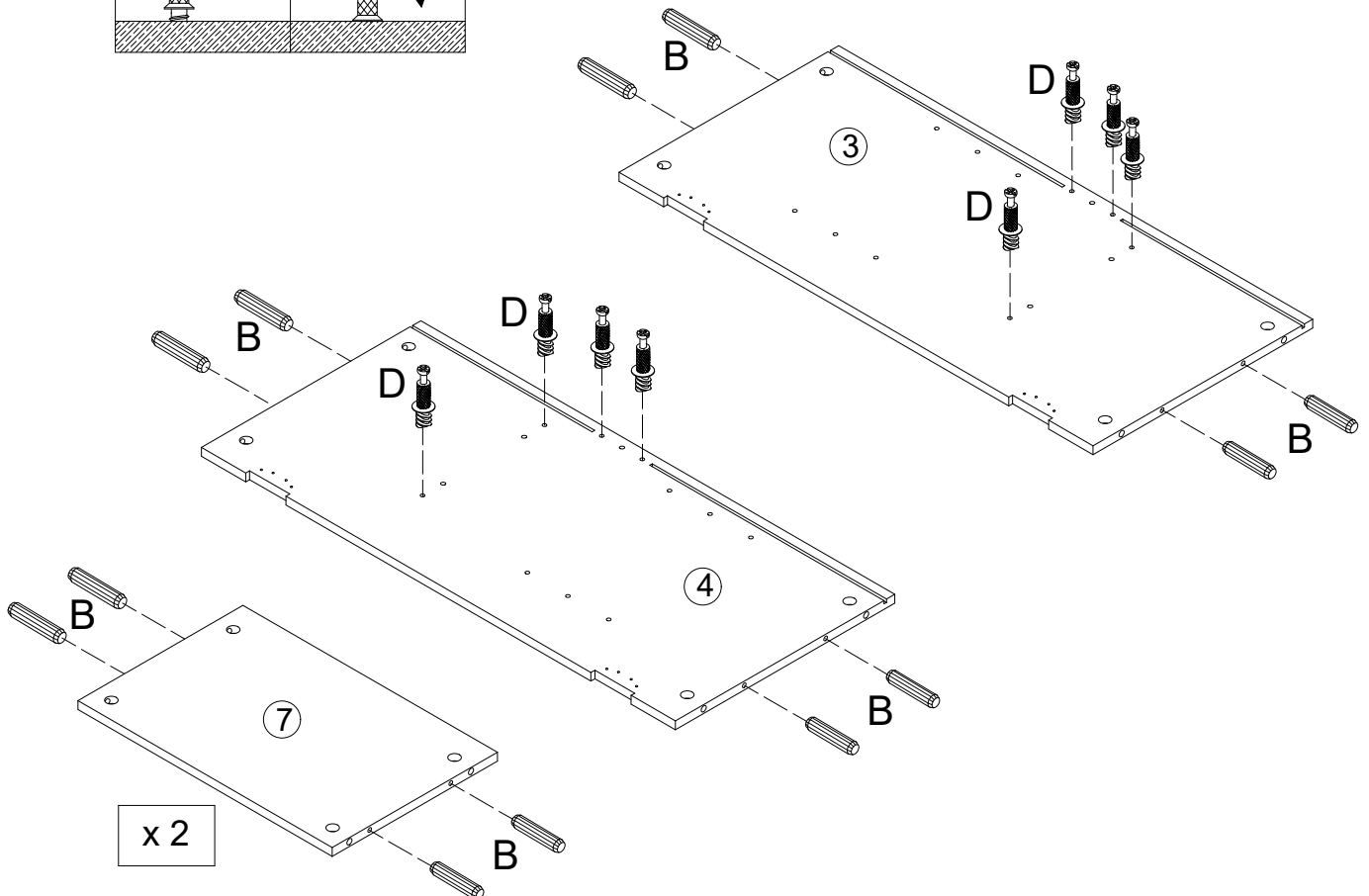
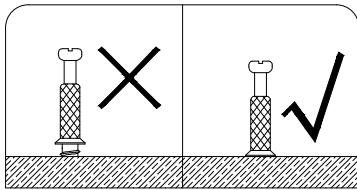
**NOTE:** The Cam Lock is backwards in this illustration. The Cam Screw can not connect to the Cam Lock because the Dowel is in the incorrect hole.

**NOTE:** To tighten, turn the Cam Lock CLOCKWISE until the arrow point AWAY from the connected Panel.

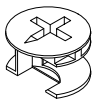
**NOTE:** DO NOT USE AN AUTOMATIC SCREWDRIVER TO TIGHTEN CAM LOCKS, DO NOT OVER-TIGHTEN.

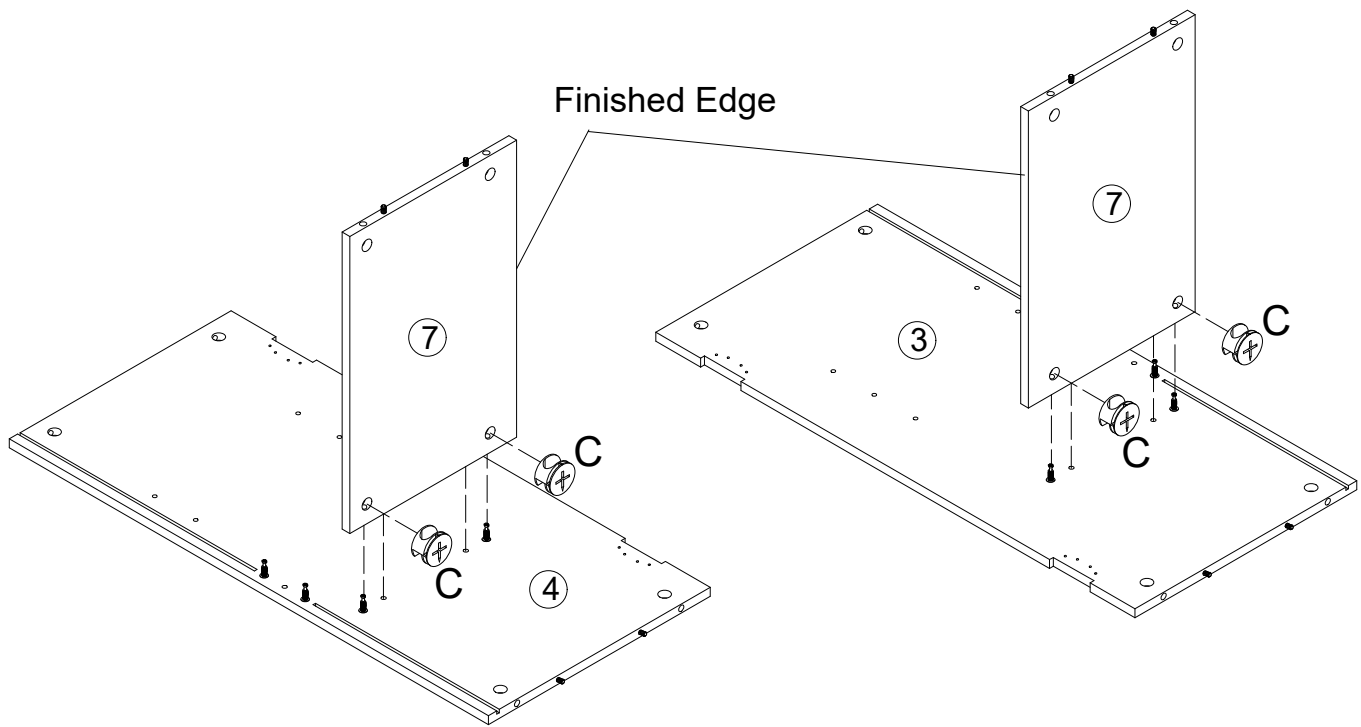


**STEP**  
**1**

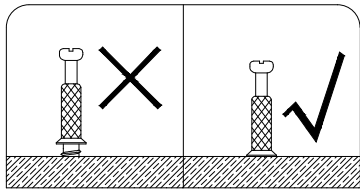



**STEP**  
**2**


**C**  
**4 x** 

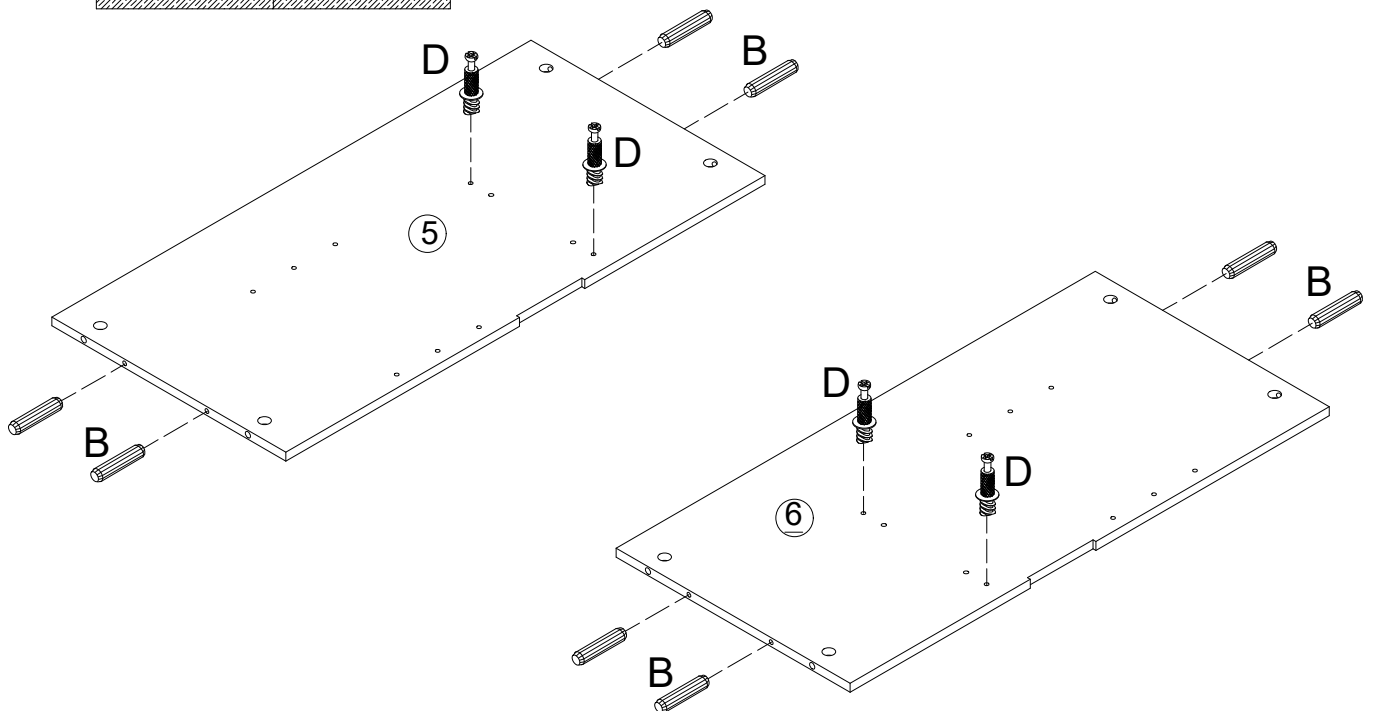


**STEP**  
**3**

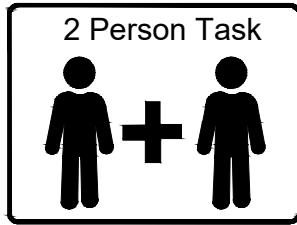


**B**  
**8 x** 

**D**  
**4 x** 

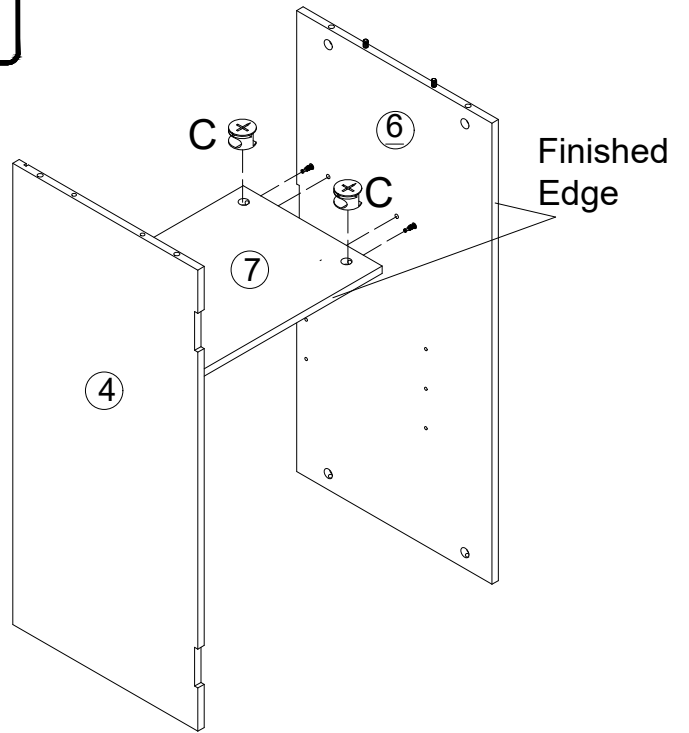
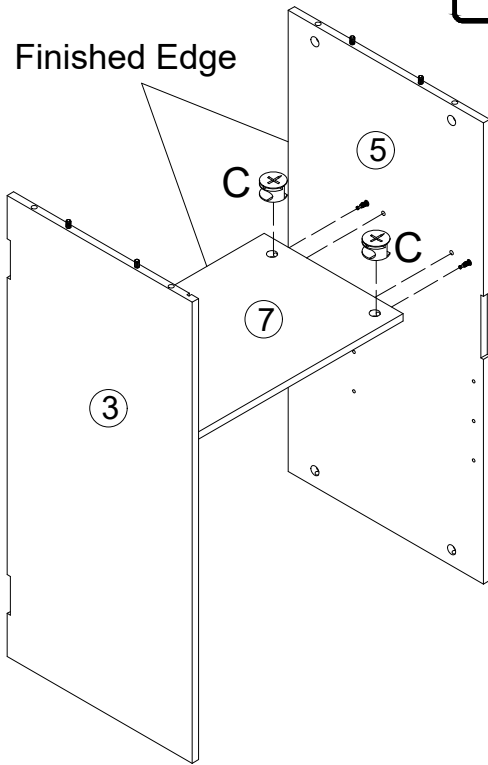


**STEP**  
**4**

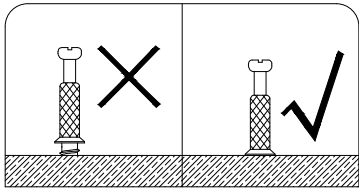


**C**  
**4 x**

Finished Edge

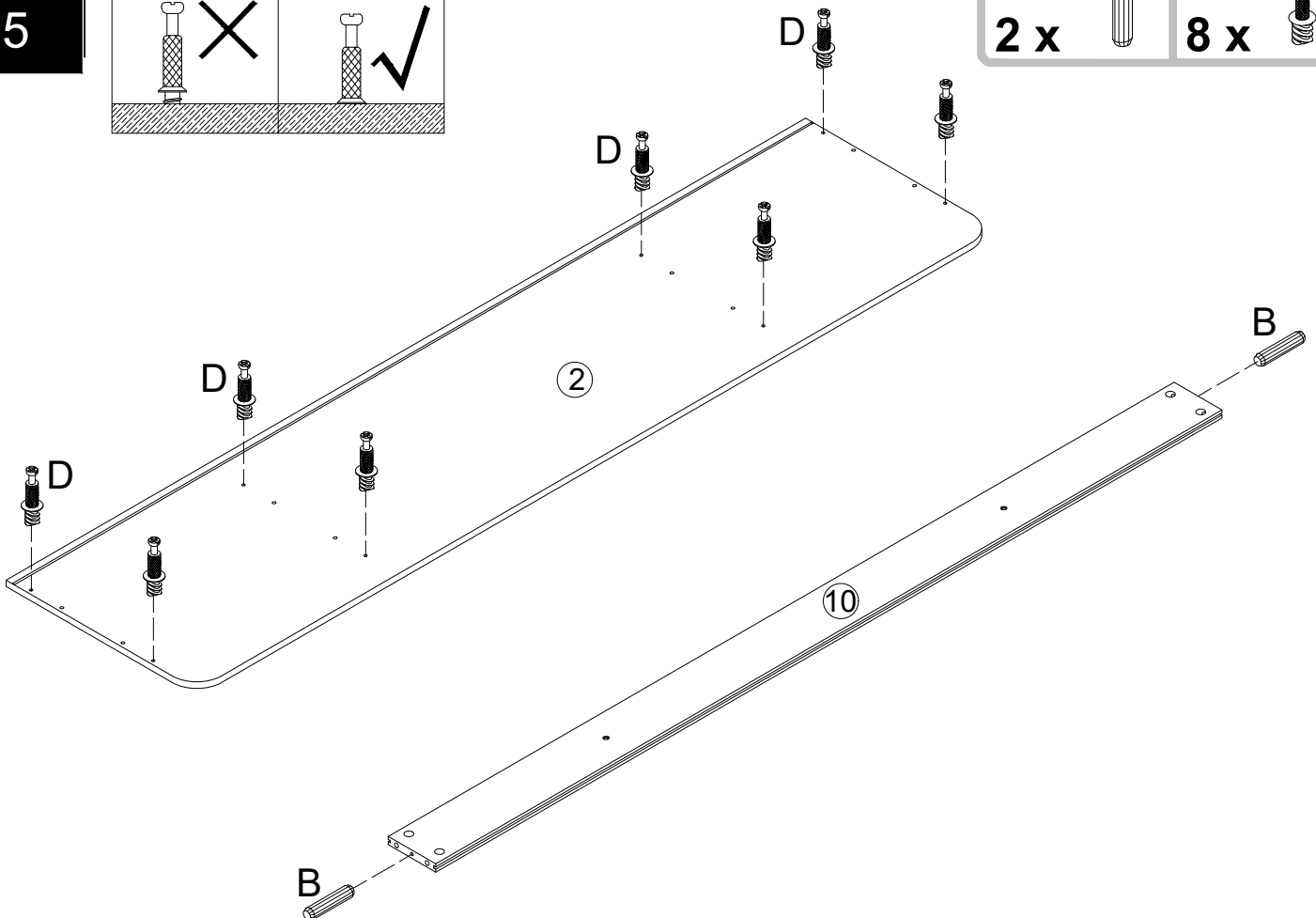


**STEP**  
**5**

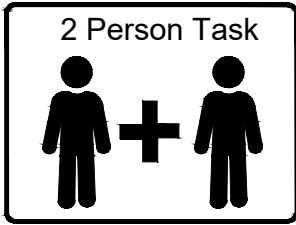


**B**  
**2 x**

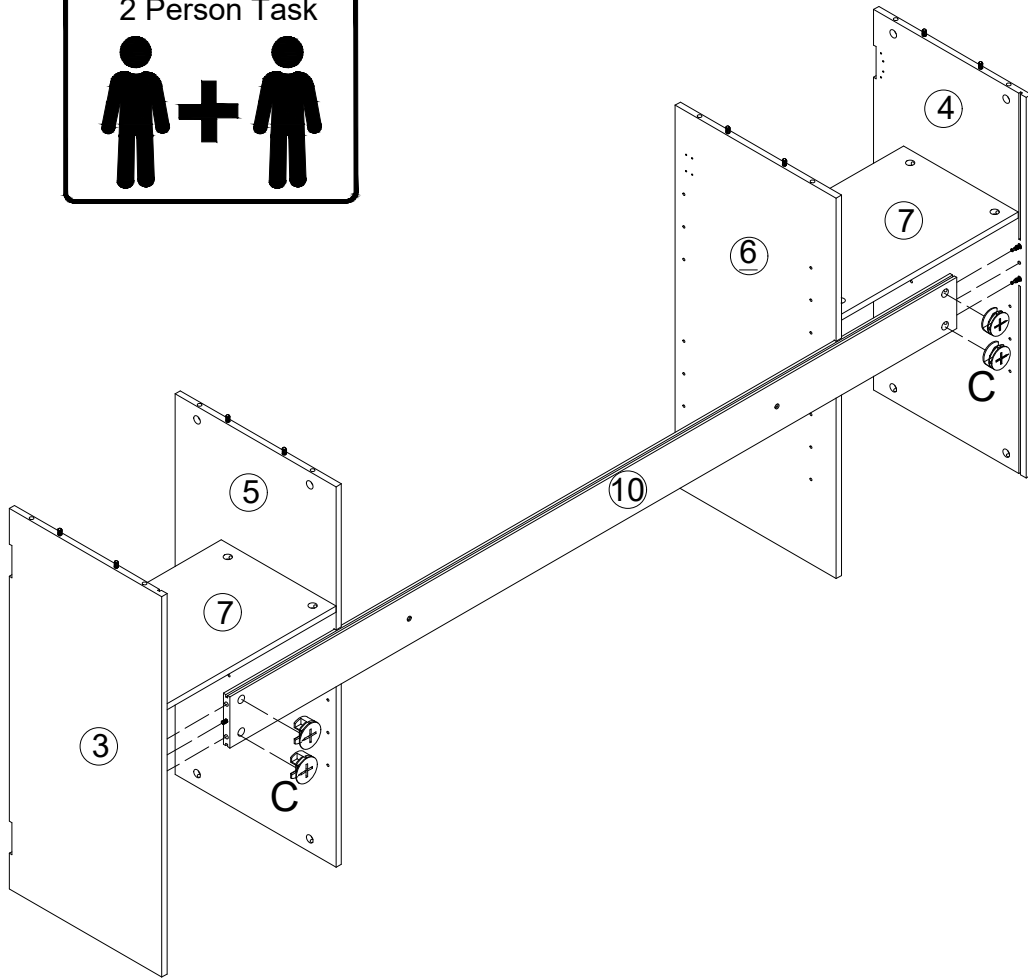
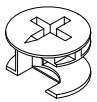
**D**  
**8 x**



**STEP**  
**6**

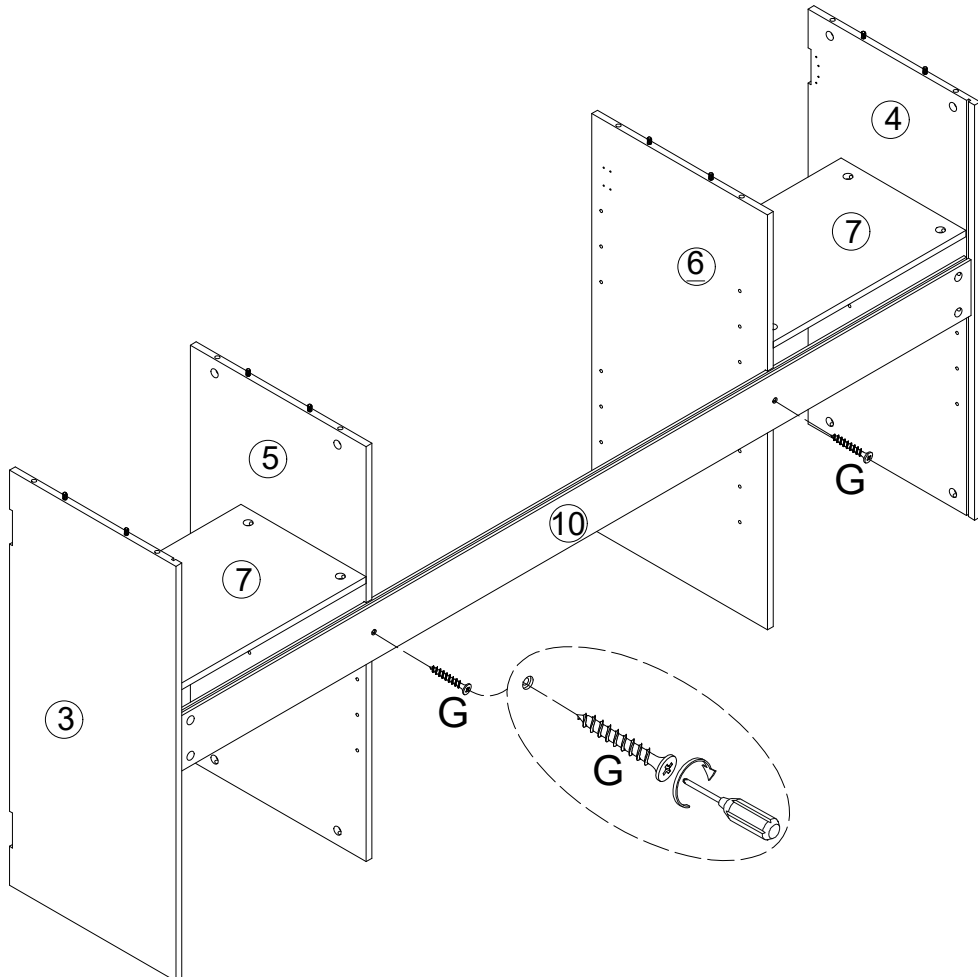


**C**  
**4 x**

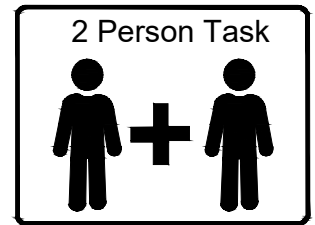
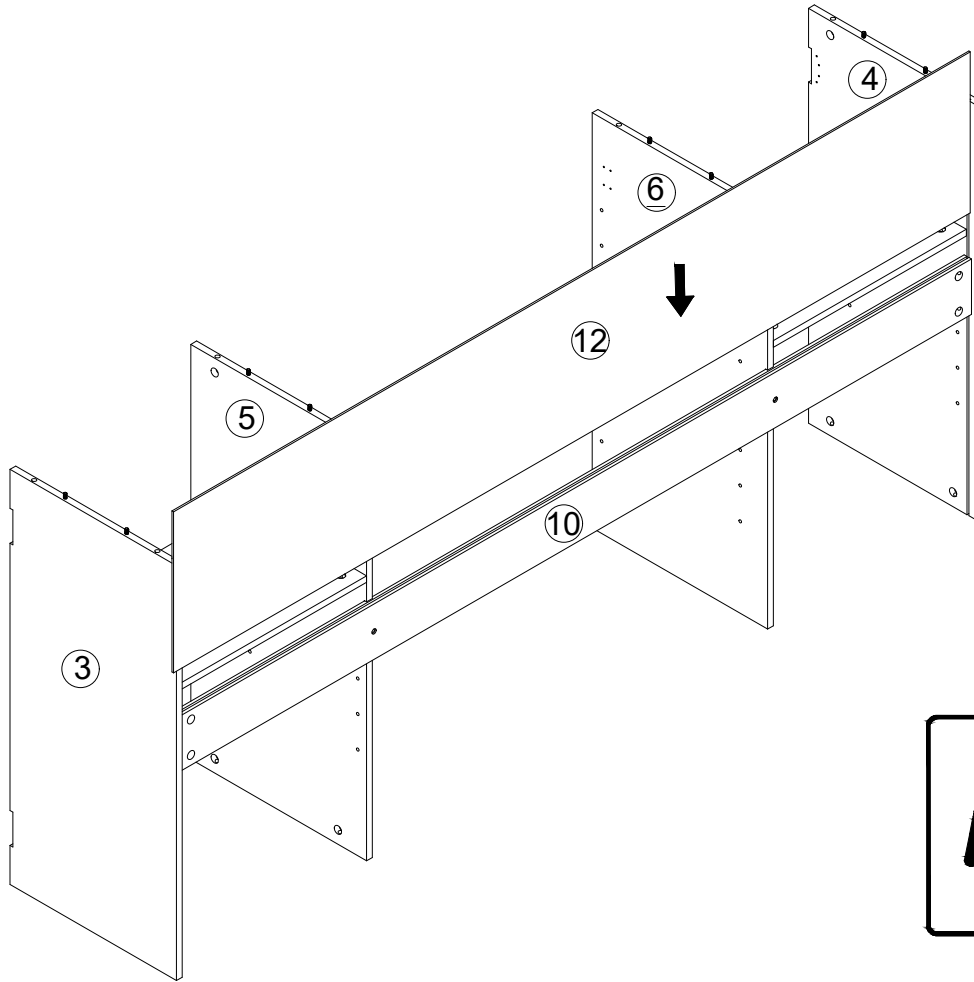


**STEP**  
**7**

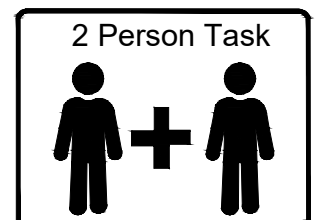
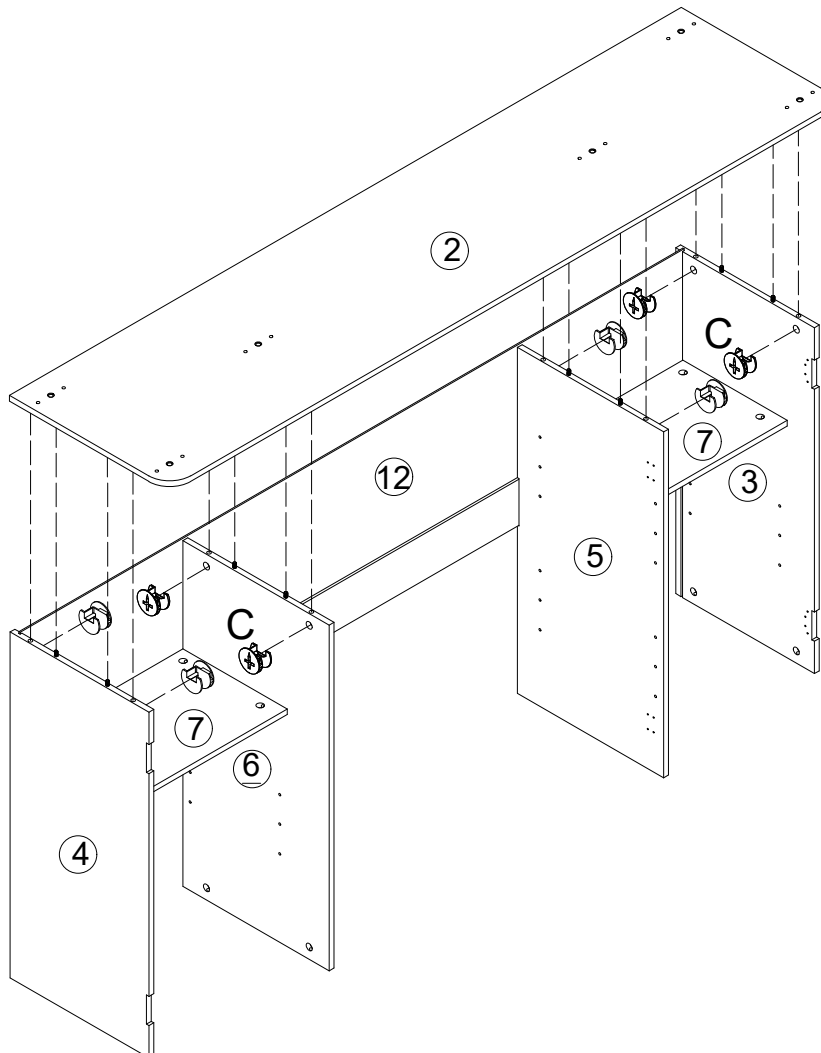
**G**  
**2 x**



**STEP**  
**8**

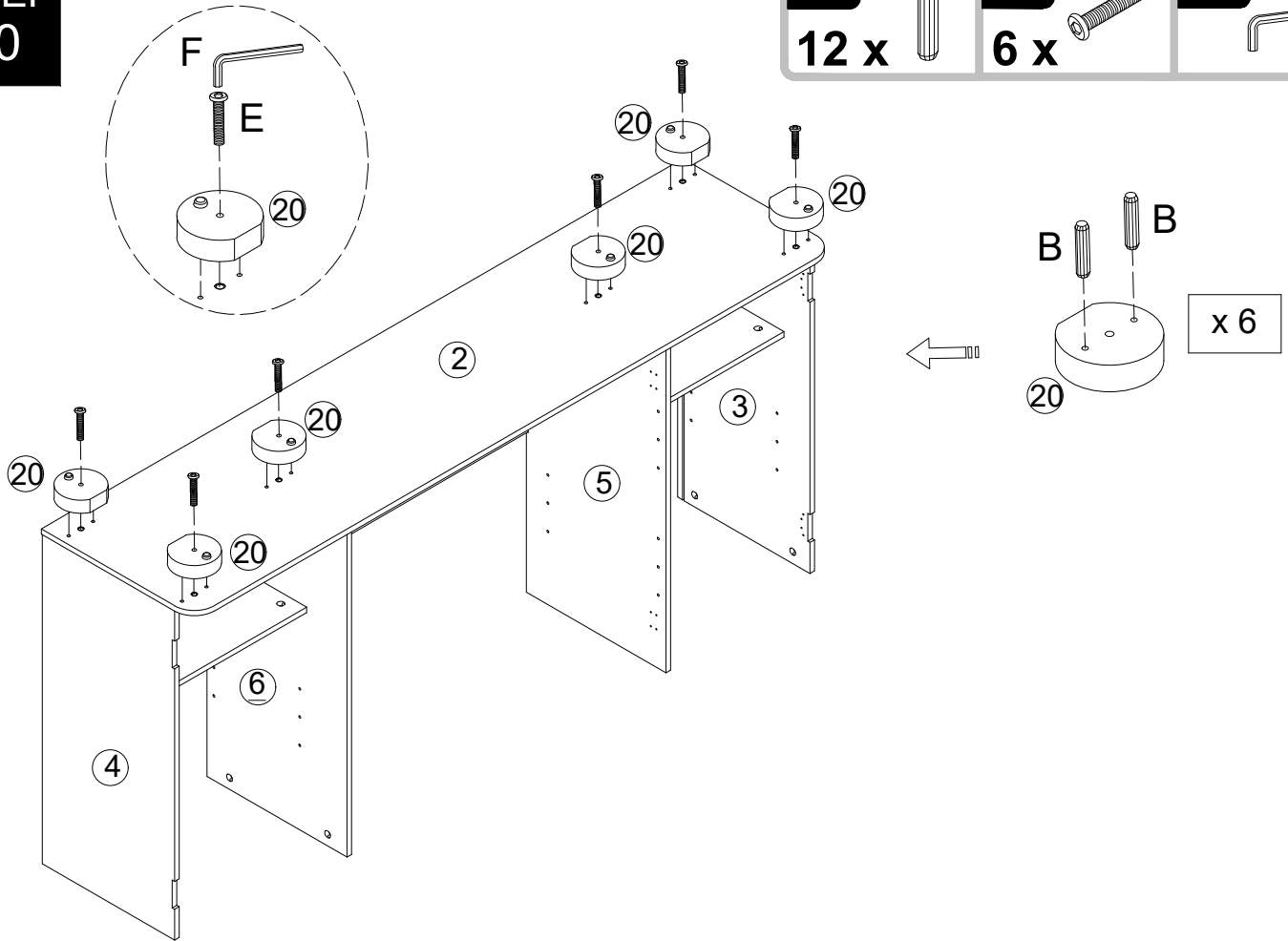


**STEP**  
**9**

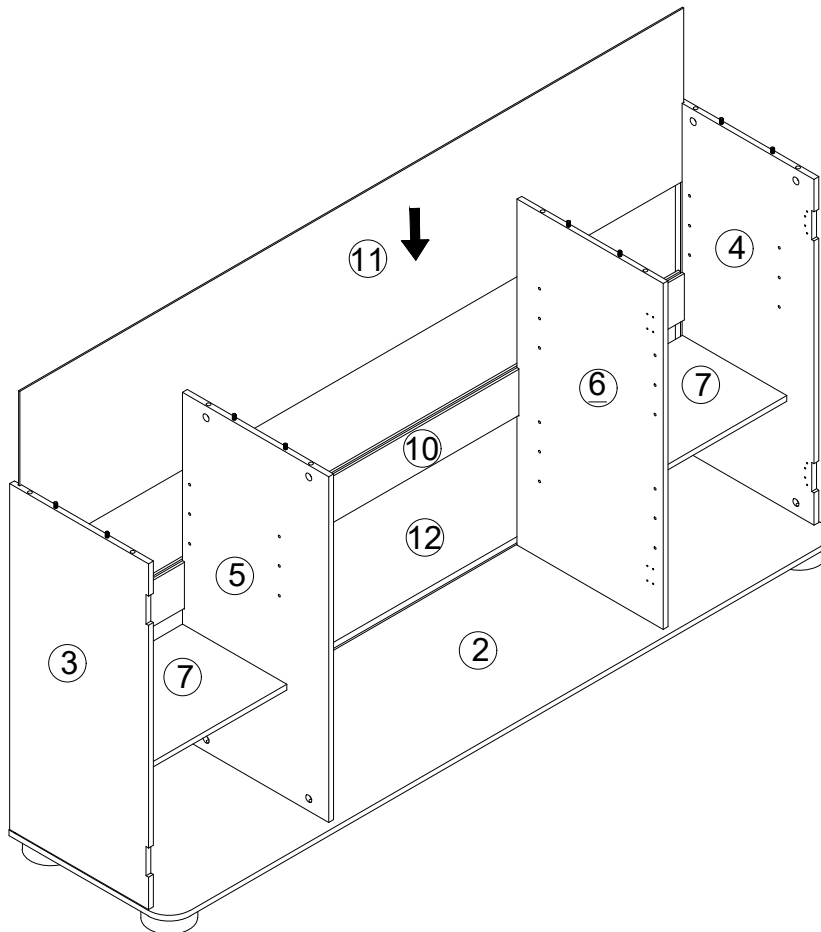


**STEP**  
**10**

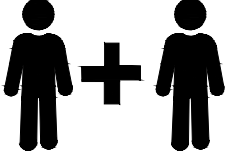
<b>B</b>		<b>E</b>		<b>F</b>	
<b>12 x</b>		<b>6 x</b>			




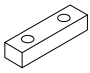



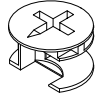
**STEP**  
**11**

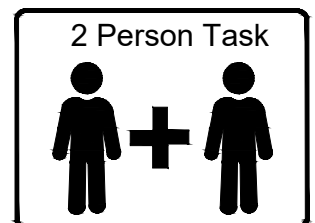
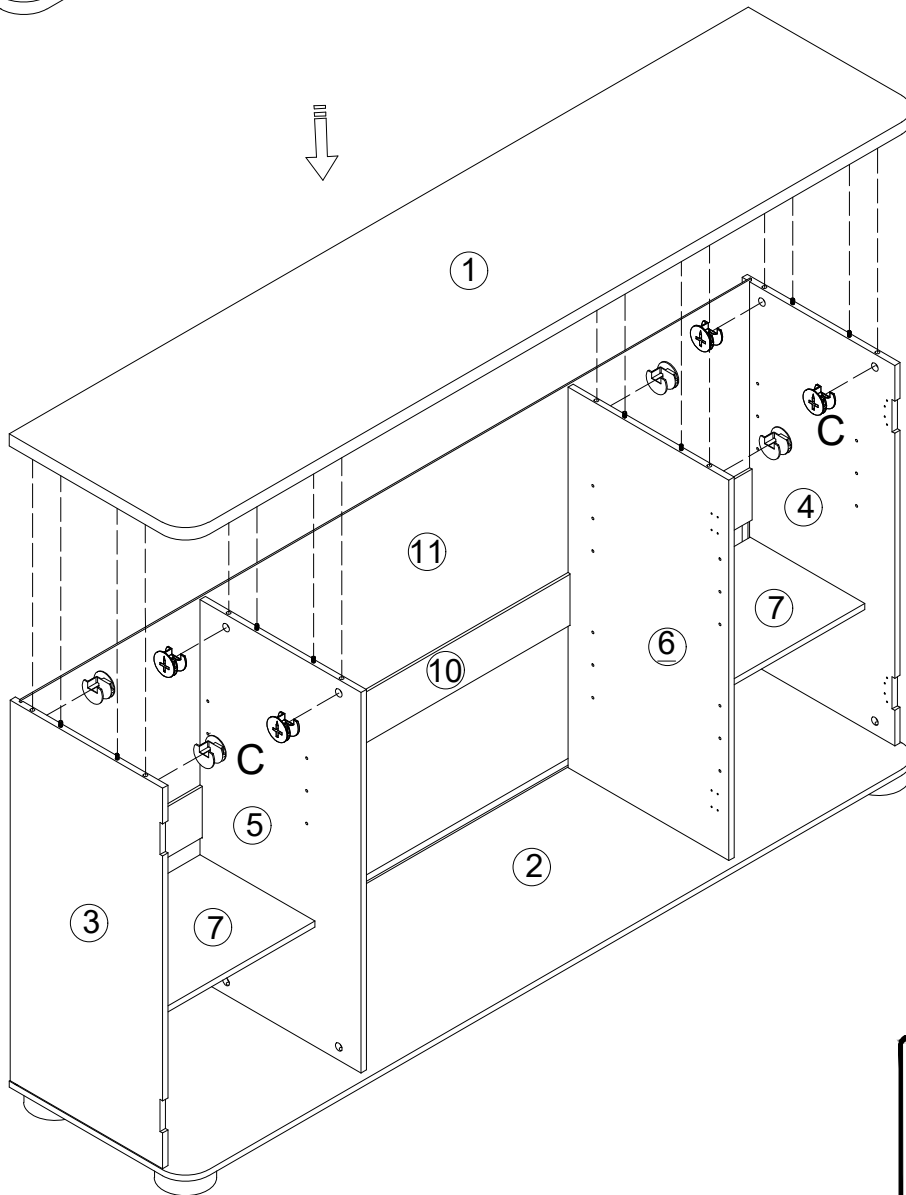
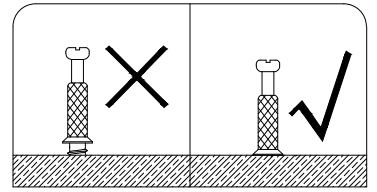
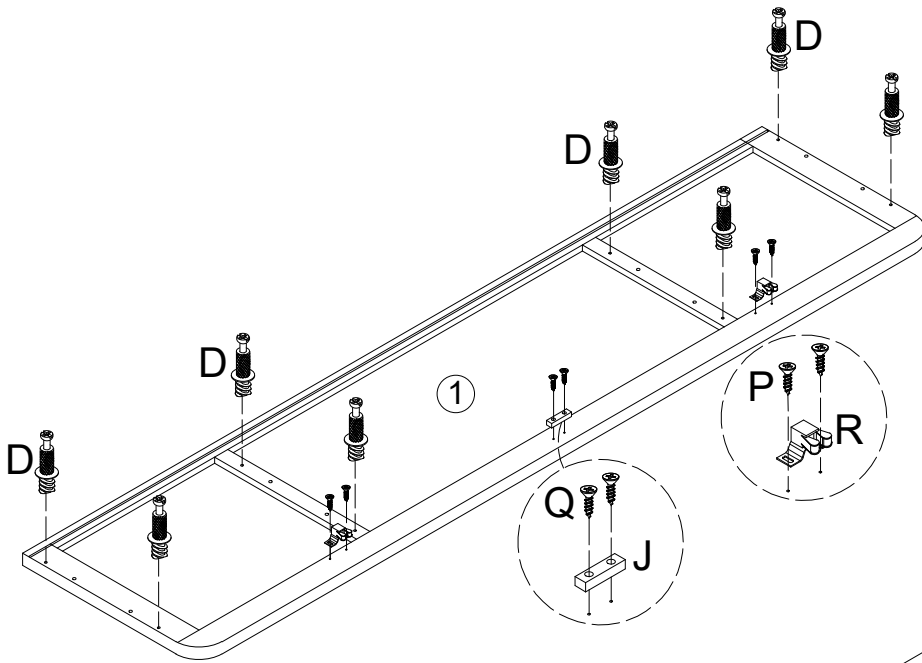


2 Person Task

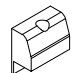



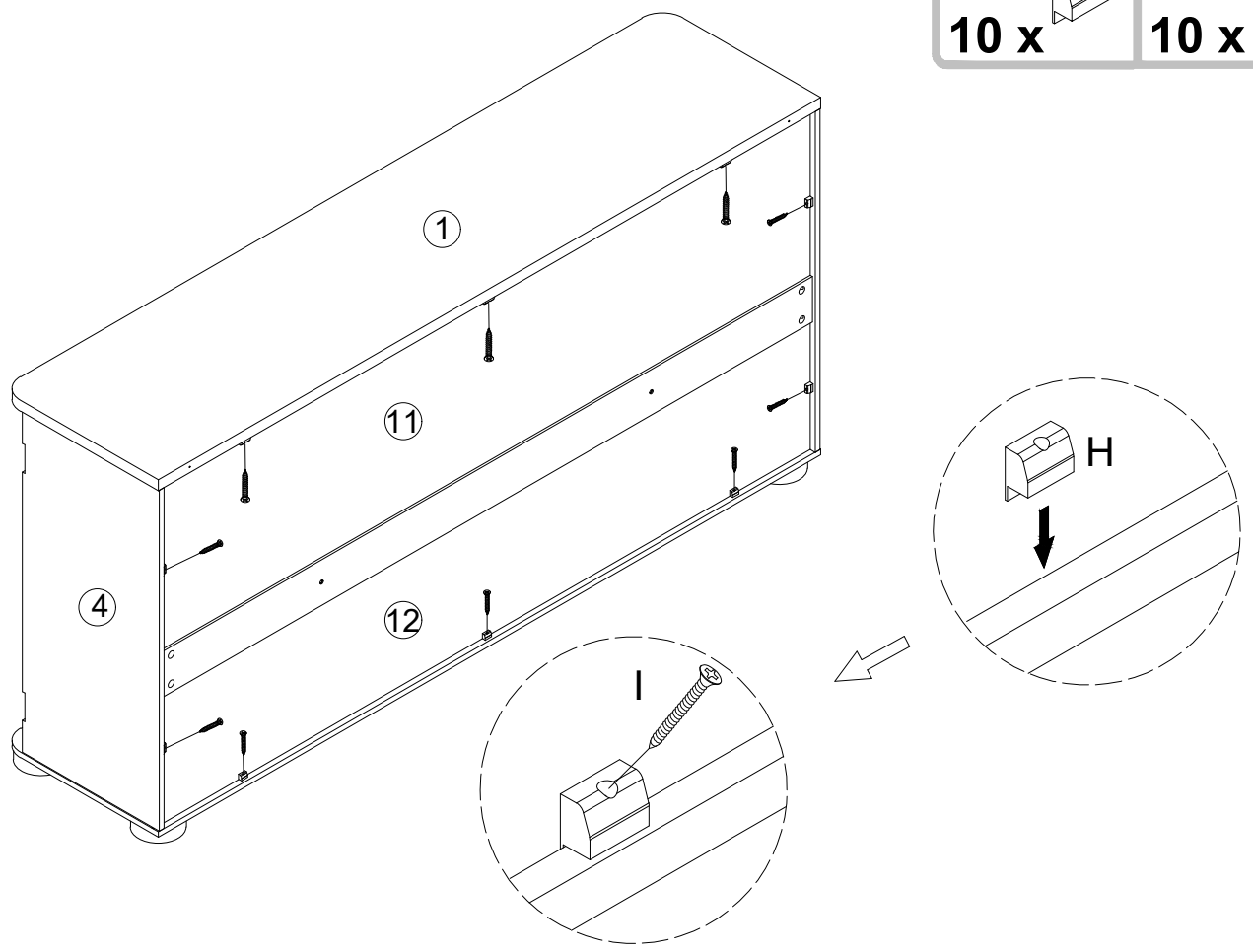
# STEP 12

- D** 8 x 
- J** 1 x 
- Q** 2 x 
- R** 2 x 
- P** 4 x 
- C** 8 x 

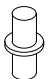


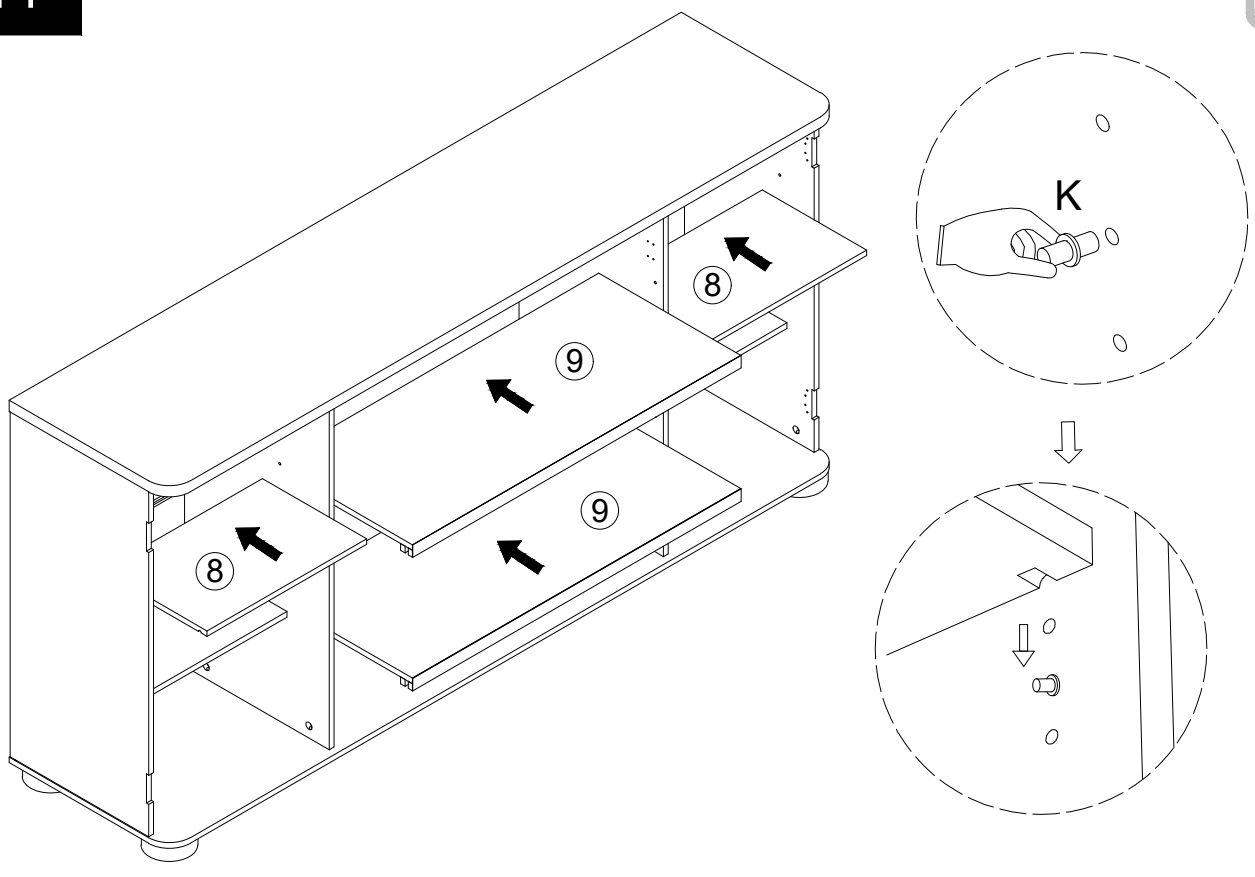
**STEP**  
**13**

**H**  **10 x**    **I**  **10 x**

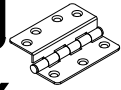



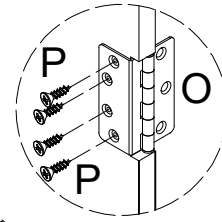
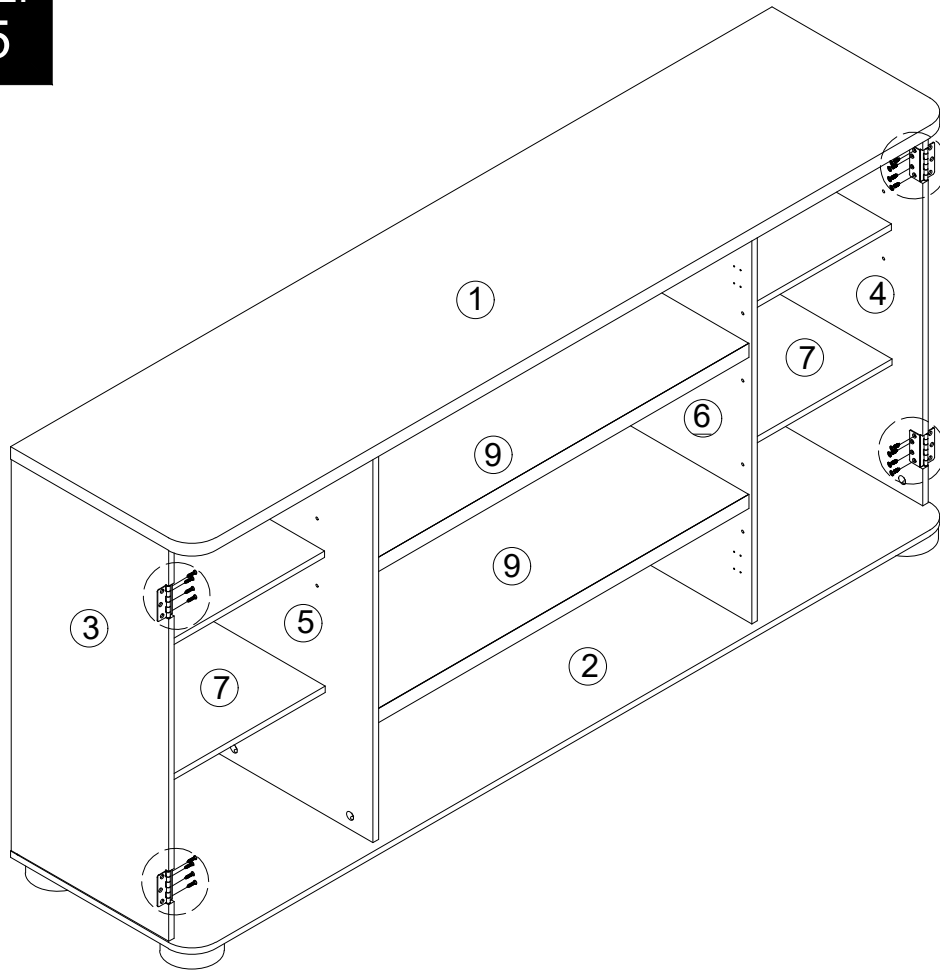
**STEP**  
**14**

**K**  **16 x**





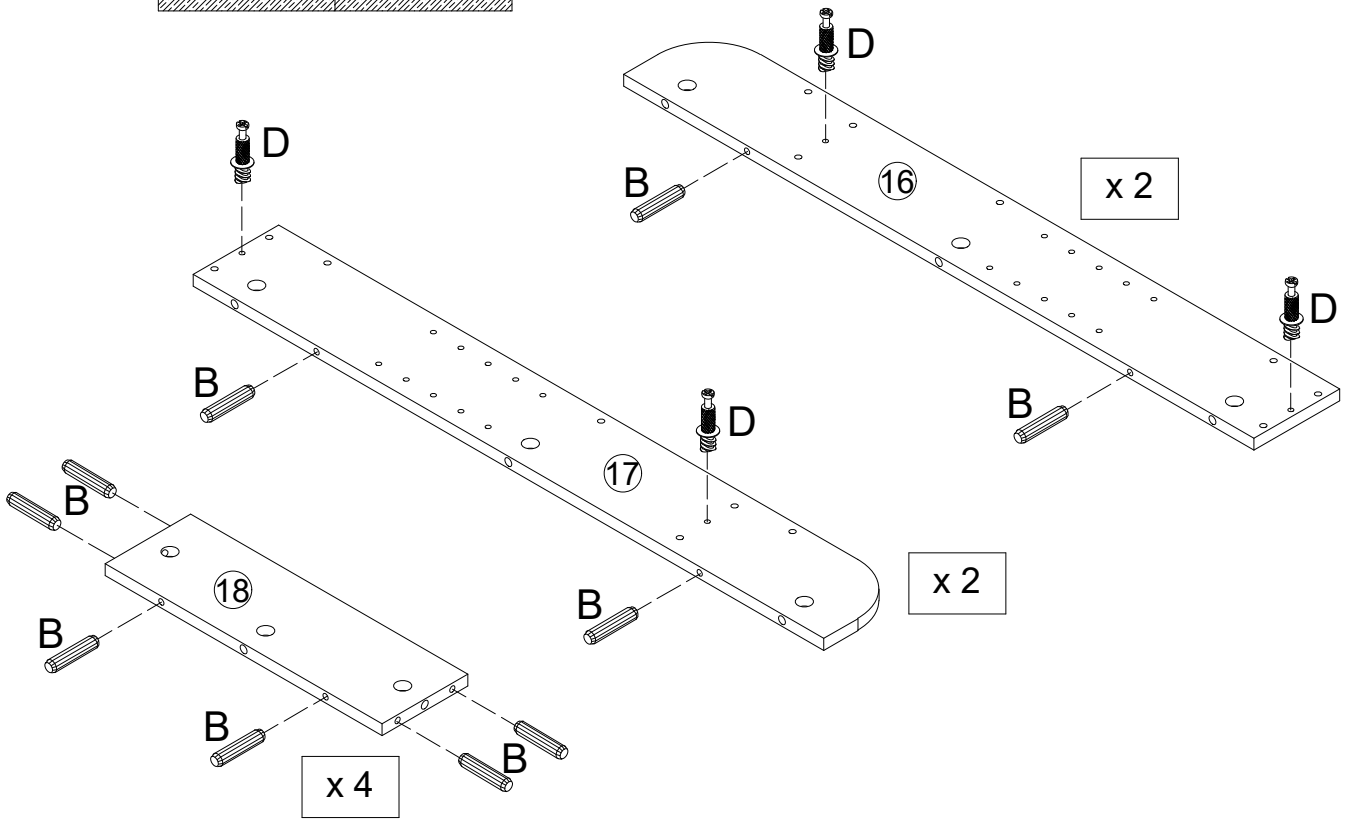
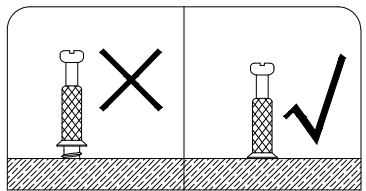
**STEP  
15**

**O**  **4 x**     **P**  **16 x**

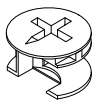


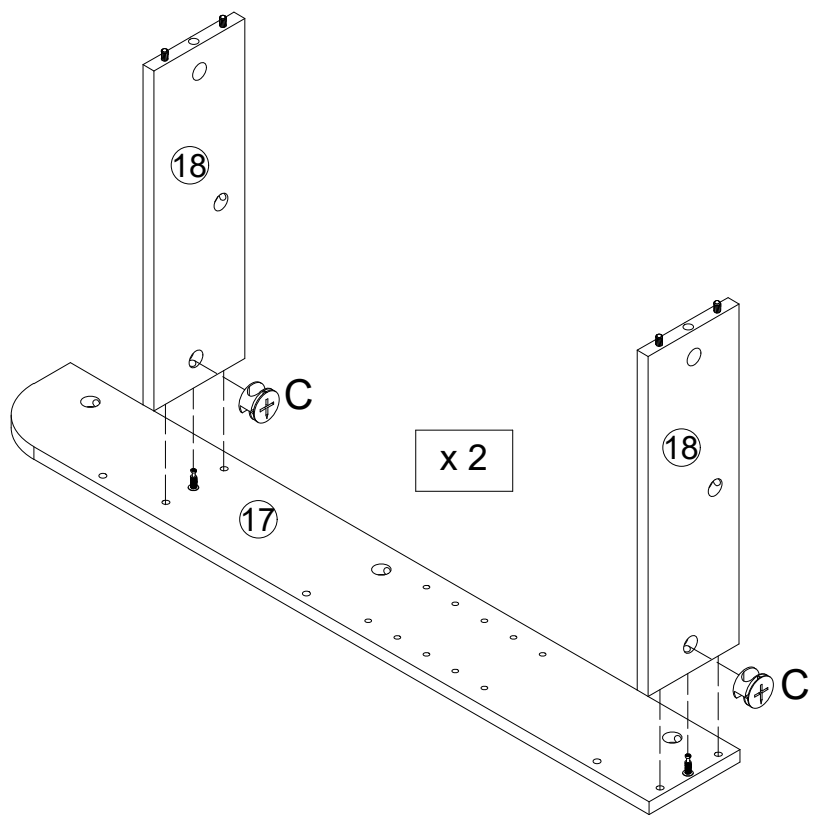
**STEP  
16**

**B**  **32 x**     **D**  **8 x**

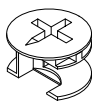


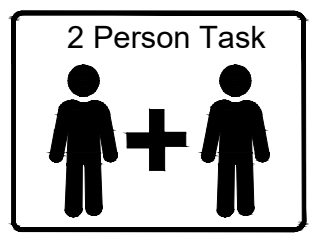
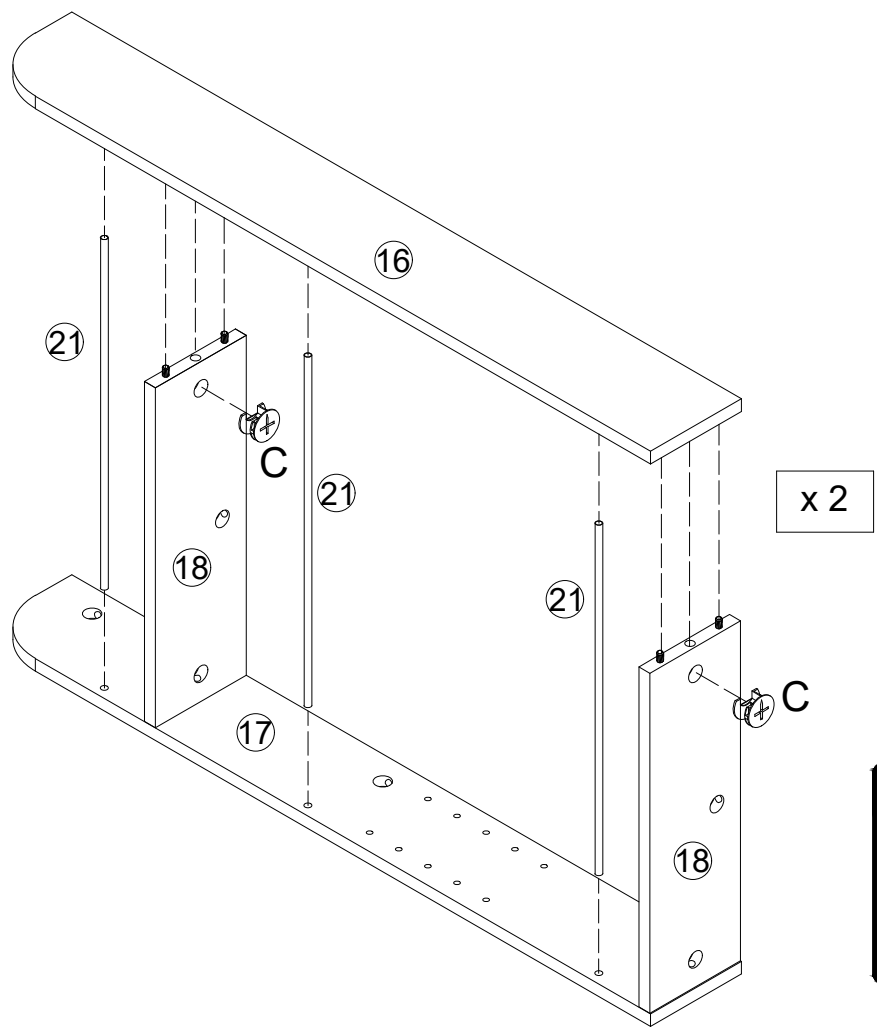
**STEP**  
**17**

**C**  
**4 x** 



**STEP**  
**18**

**C**  
**4 x** 



**STEP**  
**19**

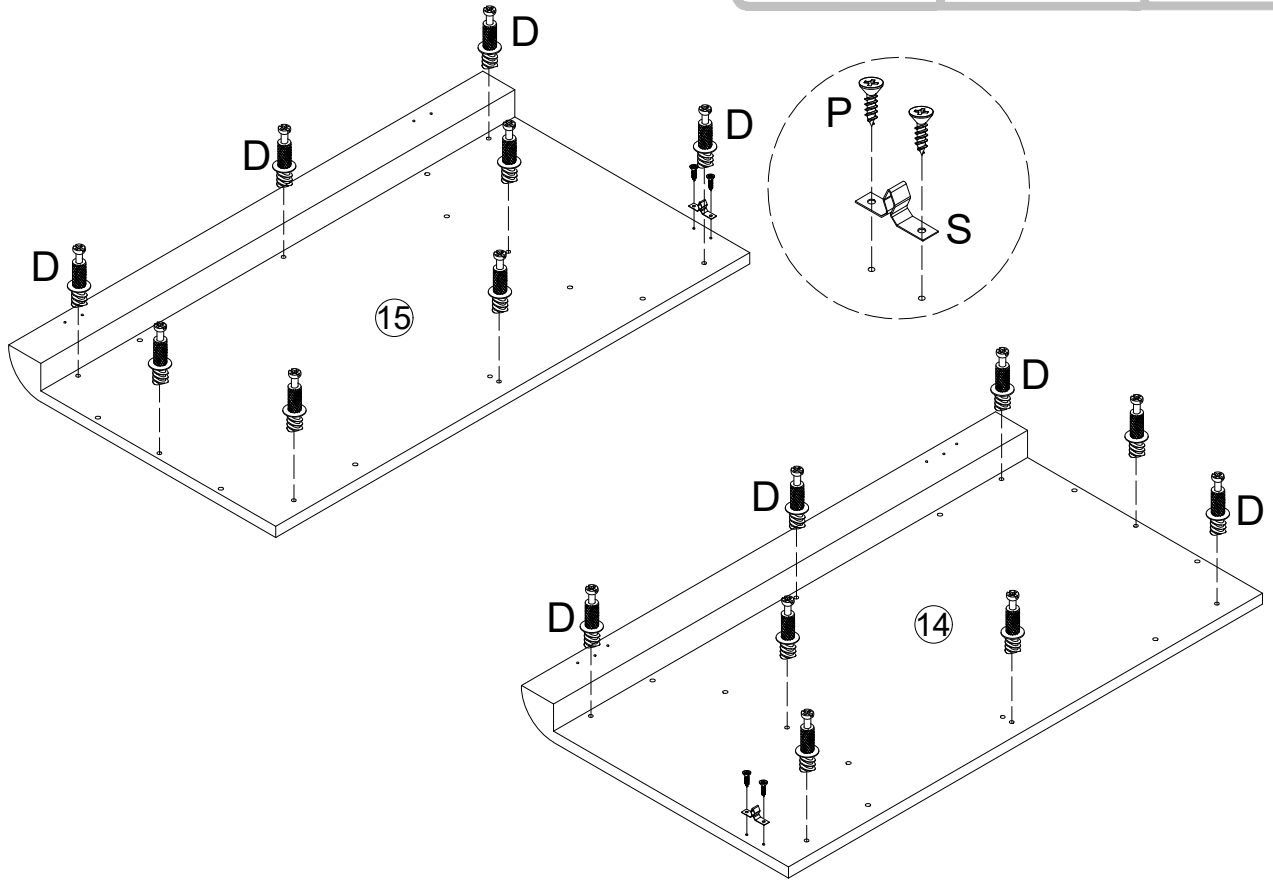
**D**  
**16 x**



**S**  
**2 x**

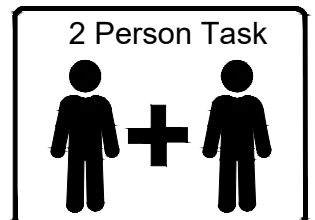
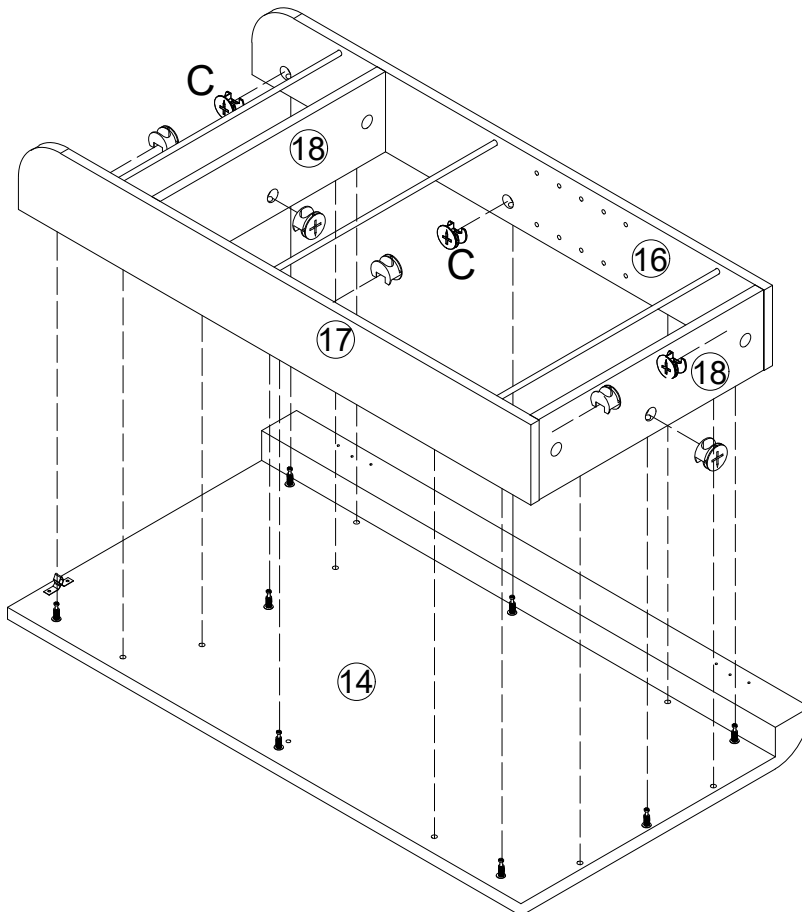
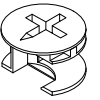


**P**  
**4 x**

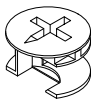


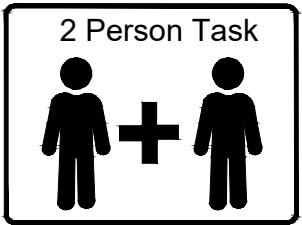
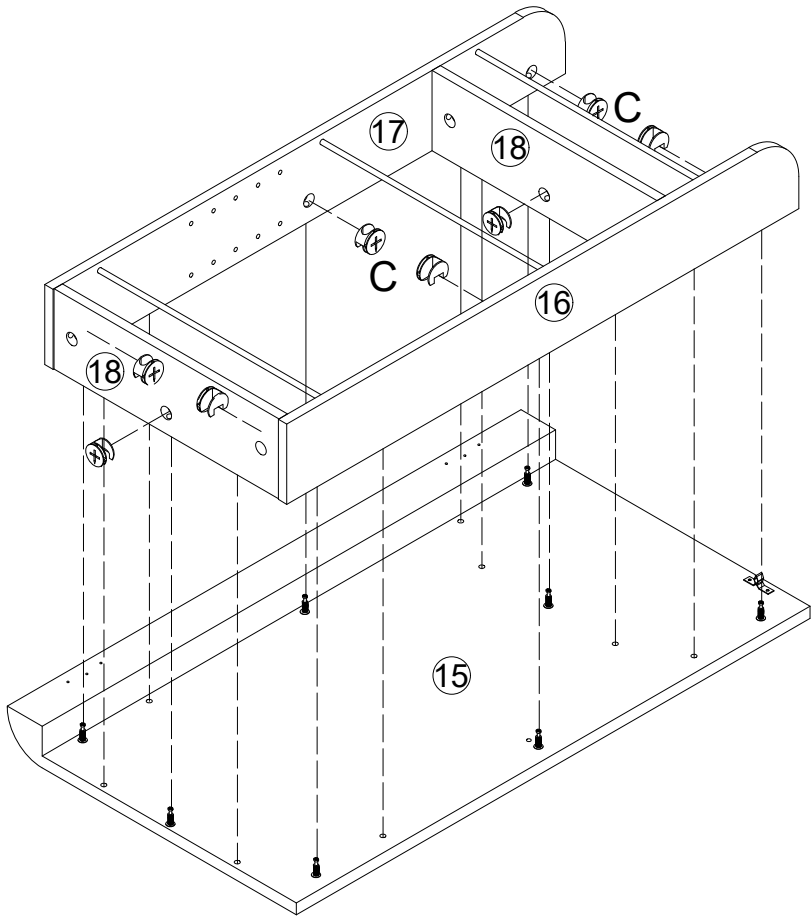
**STEP**  
**20**

**C**  
**8 x**



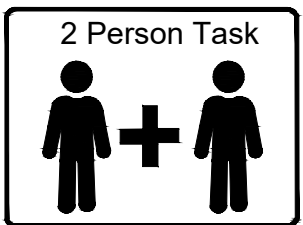
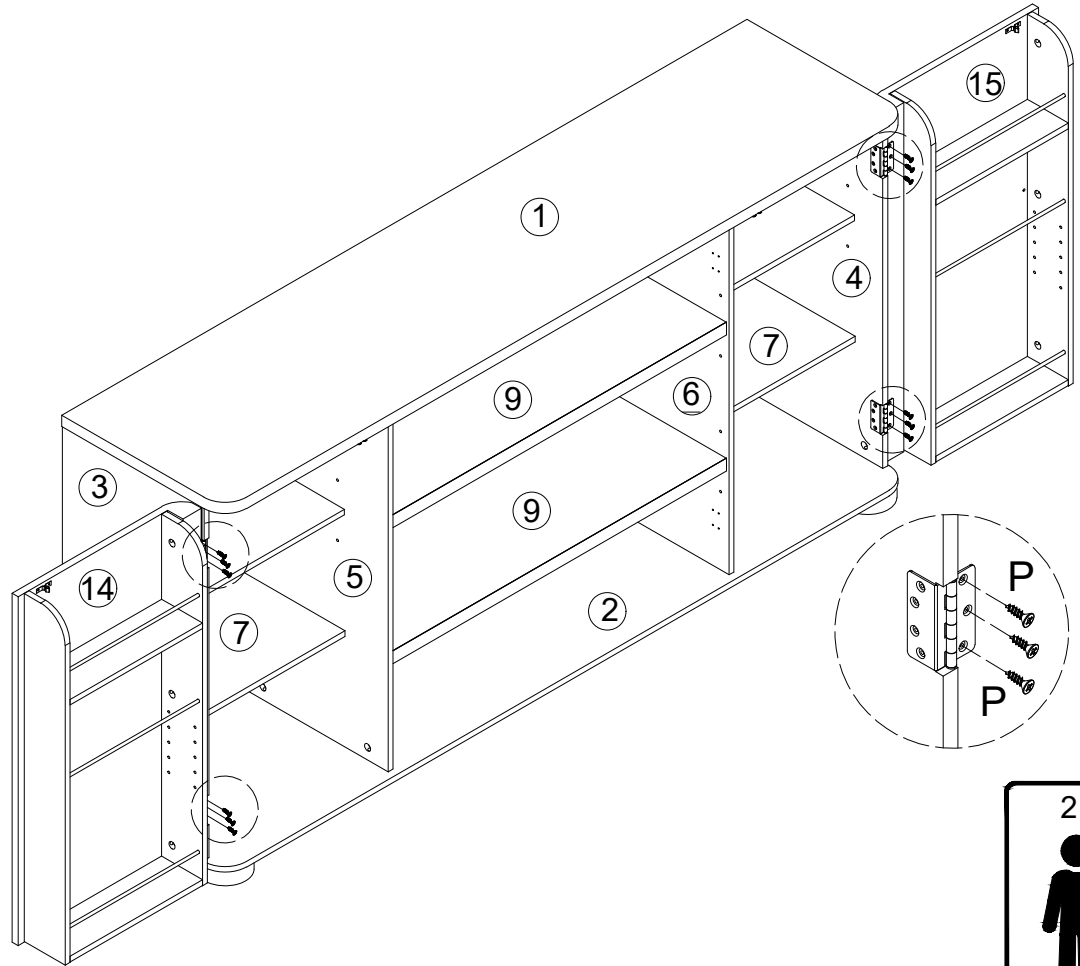
**STEP**  
**21**

**C**  
**8 x** 

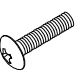


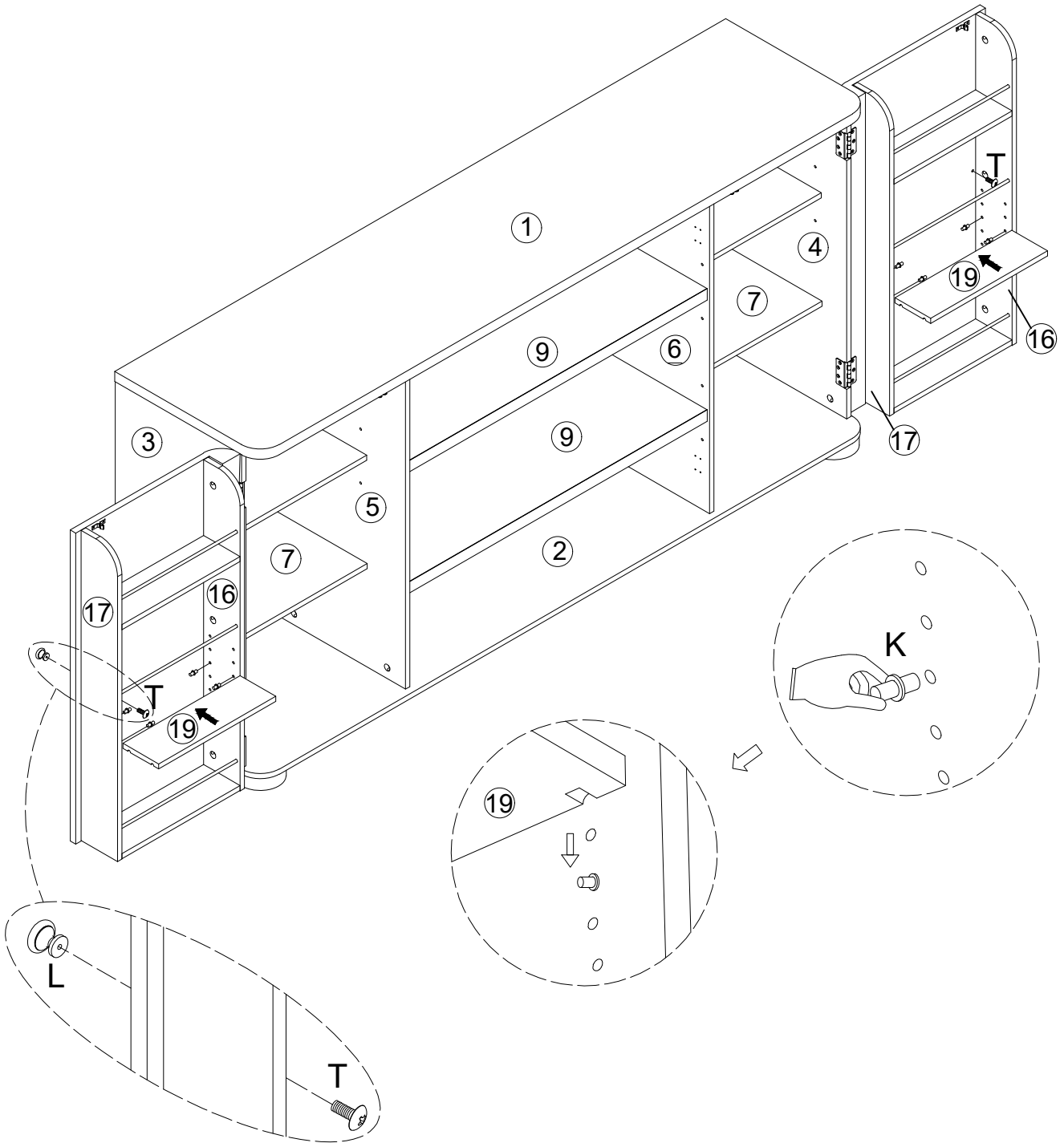
**STEP**  
**22**

**P**  
**12 x** 



**STEP**  
**23**

<b>K</b>		<b>L</b>		<b>T</b>	
<b>8 x</b>		<b>2 x</b>		<b>2 x</b>	



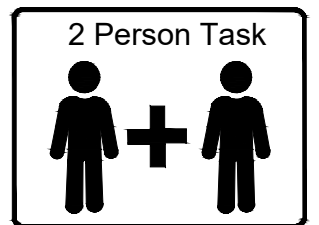
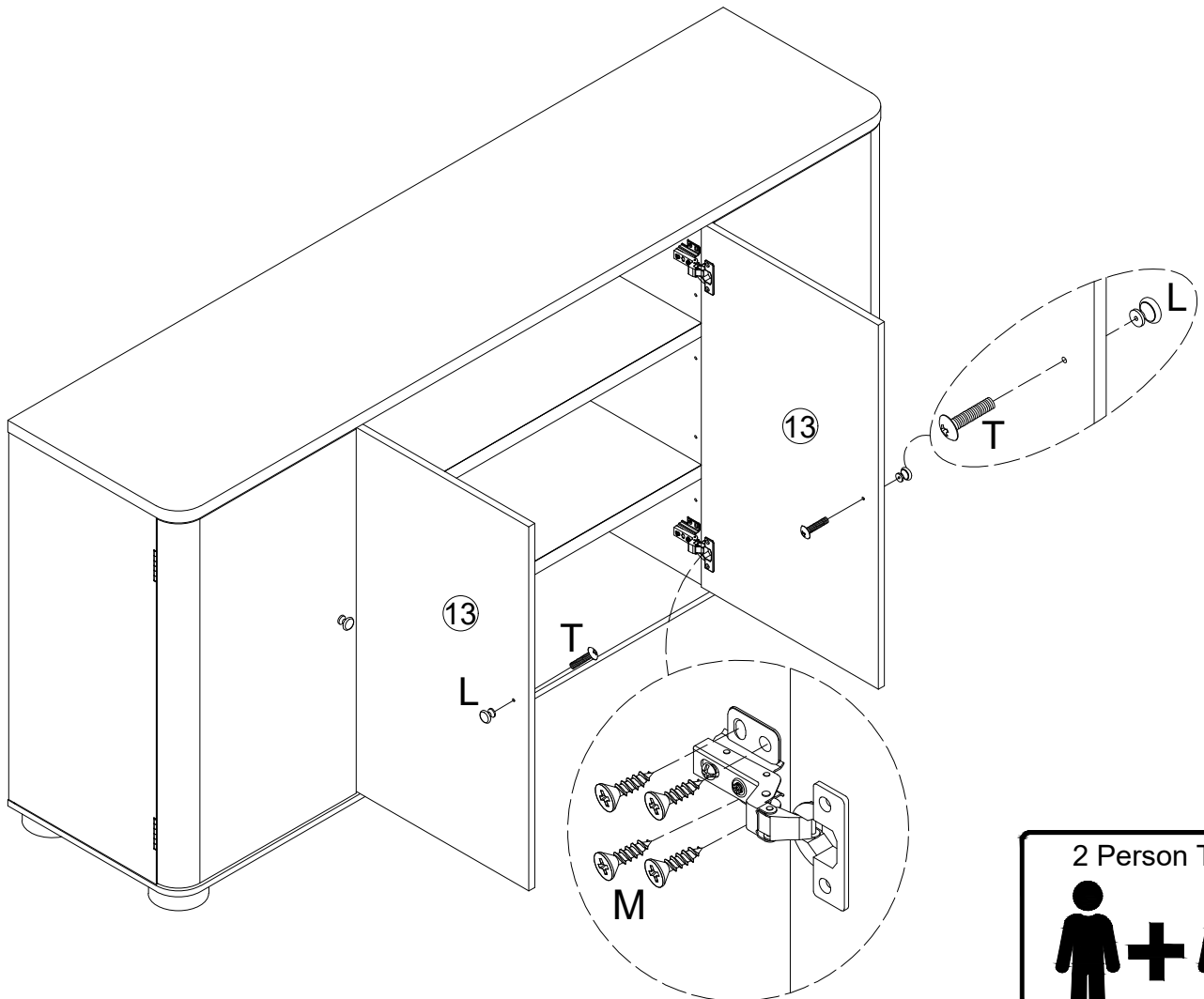
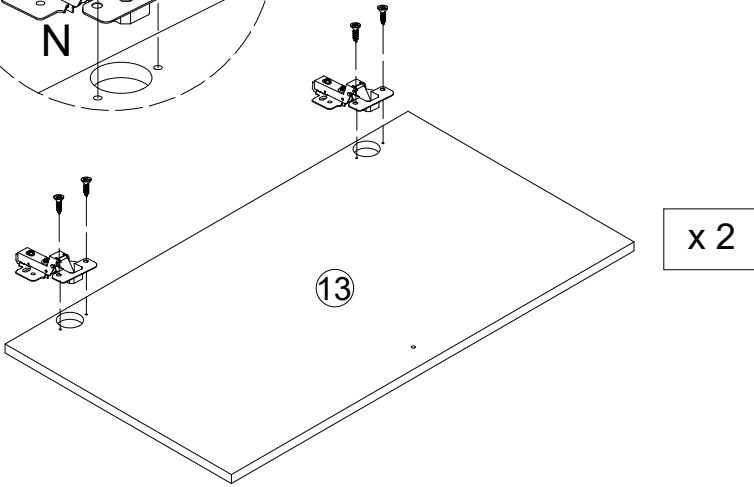
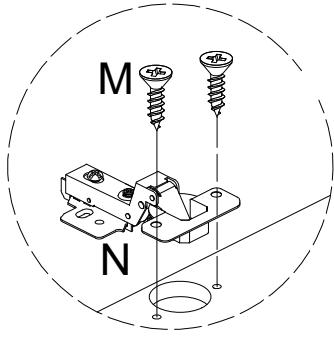
**STEP  
24**

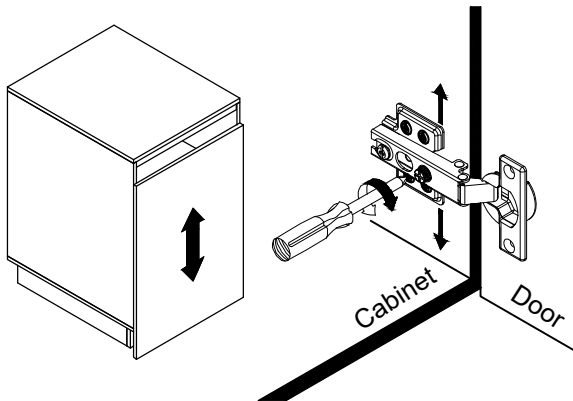
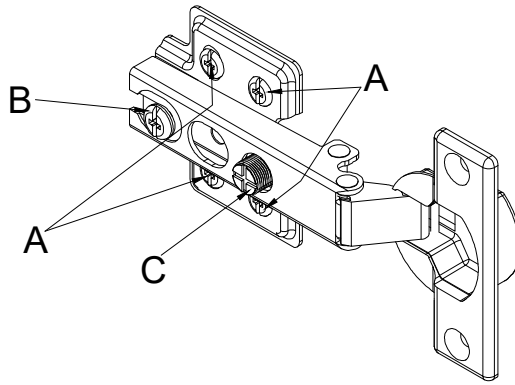
**N**  
4 x

**M**  
24 x

**L**  
2 x

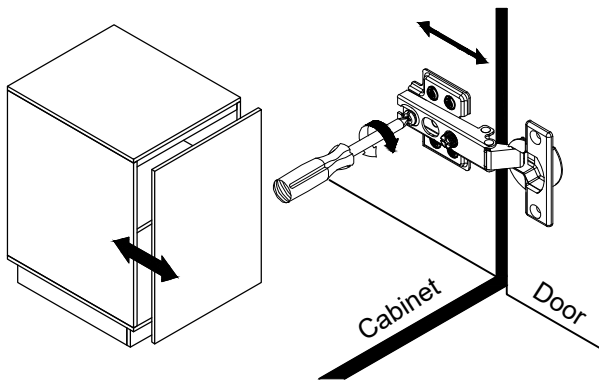
**T**  
2 x





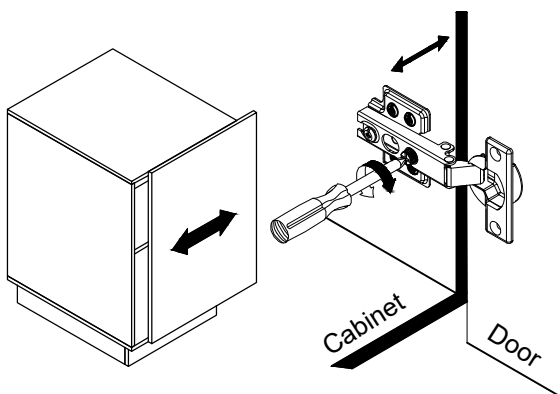
### To adjust the vertical height.

Loosen the four screws "A" on both hinges. Two of them are usually in slotted holes which allows you to adjust up or down by a few mm. Then tighten back up.



### To adjust depth.

Loosen screw "B" and adjust door, if the door can not be adjusted, please loosen screw "C", then try again. Tighten screw "B" and "C".



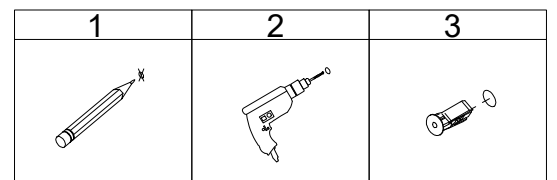
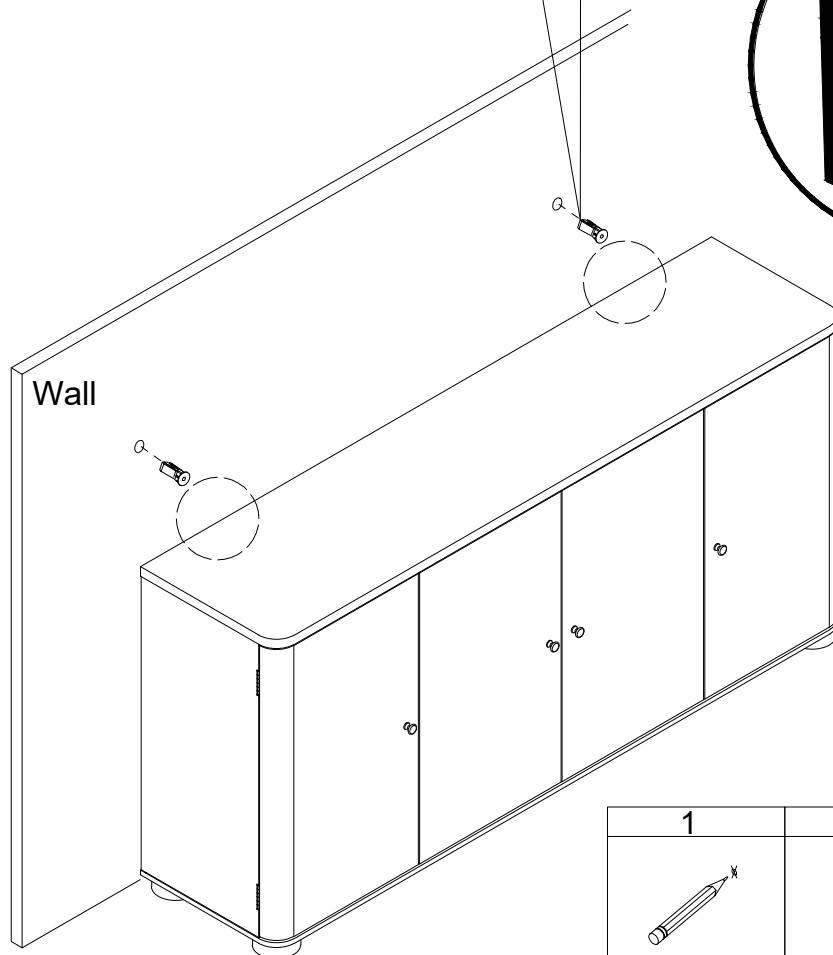
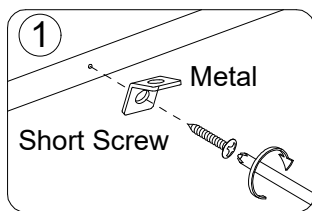
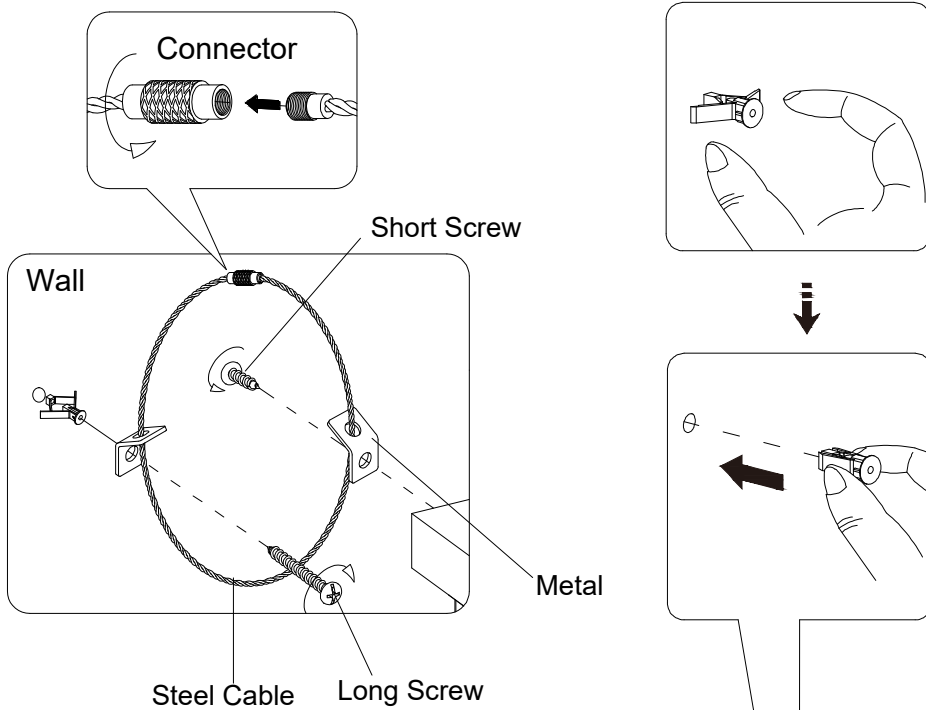
### To adjust side ways.

Turning the screw "C" on BOTH hinges on each door.

# STEP 25

## WARNING

Serious or fatal injuries can occur from furniture tipping over. To prevent the furniture from tipping over we recommend that it is permanently fixed to the wall. Wall anchor and hardware are included with this product. Please make sure hardware is suitable for your walls before installing, as different wall materials may require different types of anchors.



## Care and Maintenance

- Use a soft, clean cloth that will not scratch the surface when dusting.
- Use of furniture polish is not necessary. Should you choose to use polish, test first in an inconspicuous area.
- Using solvents of any kind on your furniture may damage the finish.
- Never use water to clean your furniture as it may cause damage to the finish.
- Always use coasters under beverage glasses and flowerpots.
- Liquid spills should be removed immediately. Using a soft, clean cloth, blot the spill gently. Avoid rubbing.
- Always use protective pads under hot dishes and plates. Heat can cause chemical changes that may create spotting within the furniture finish.
- Stains or marks from crayons or ink markers will be difficult to remove.
- In the event that your furniture is stained or otherwise damaged during use, we recommend that you call a professional to repair your furniture.
- Check bolts/screws and nuts periodically and tighten them if necessary.

## Caring for Wood Furniture

It is best to keep your furniture in a climate-controlled environment. Extreme temperature and humidity changes can cause fading, warping, shrinking and splitting of wood. It is advised to keep furniture away from direct sunlight as sun may damage the finish.

Proper care and cleaning at home will extend the life of your purchase. Following these important and helpful tips will enhance your furniture as it ages.