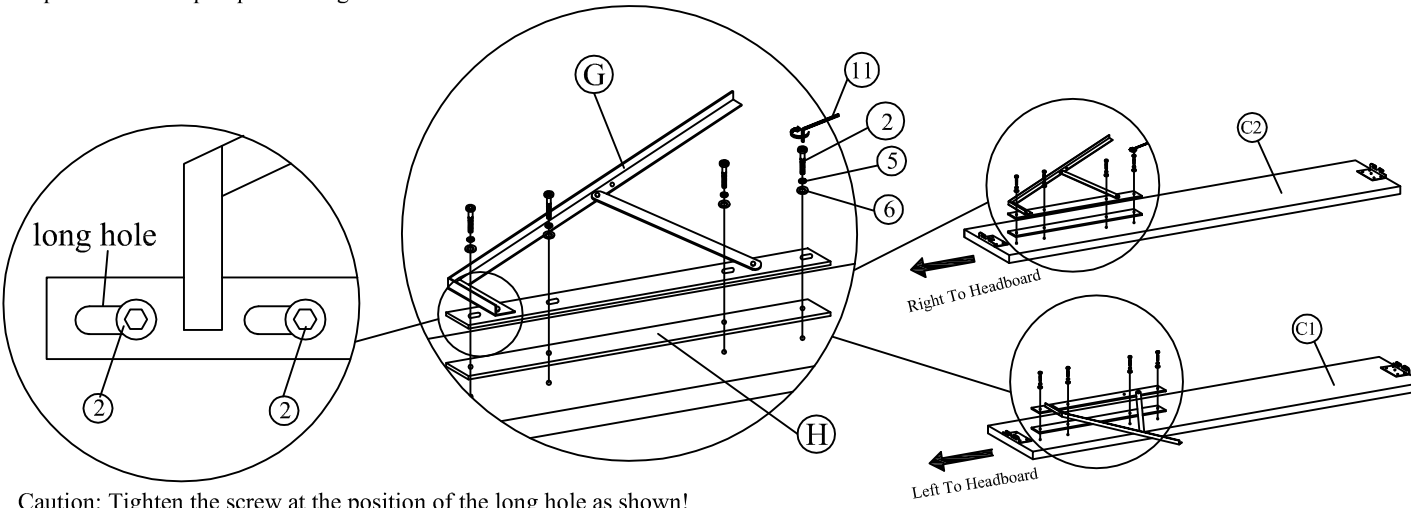


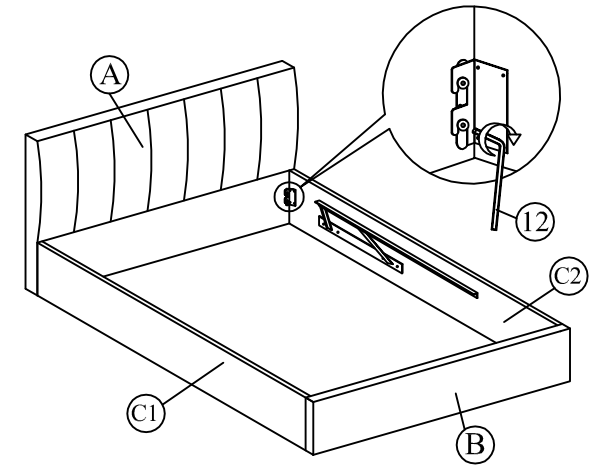


Step 1: Attach the pump mounting bracket to both side rail.

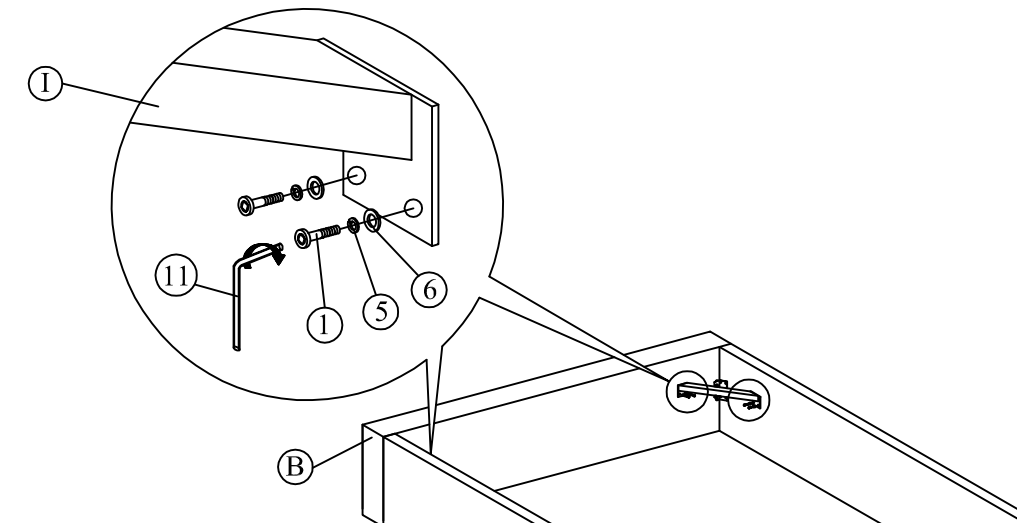


Caution: Tighten the screw at the position of the long hole as shown!

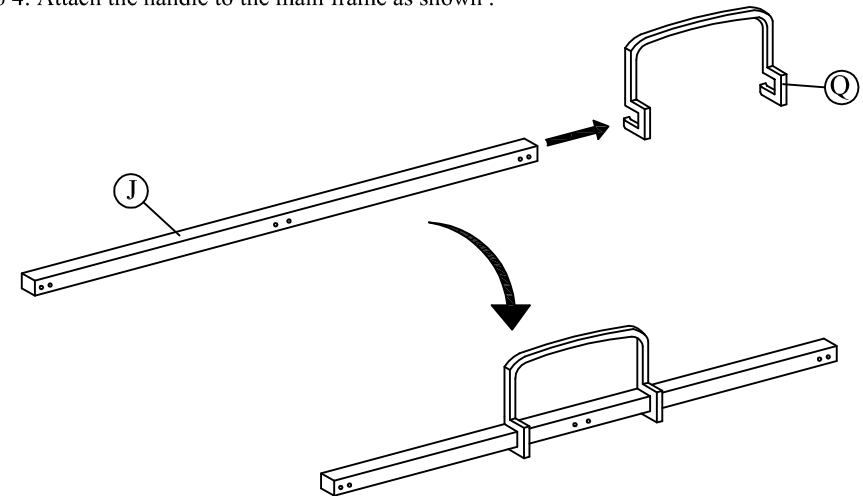
Step 2: Hook and tighten the side rail to headboard and footboard.



Step 3: Tighten the angle bracket to both footboard & side rail.

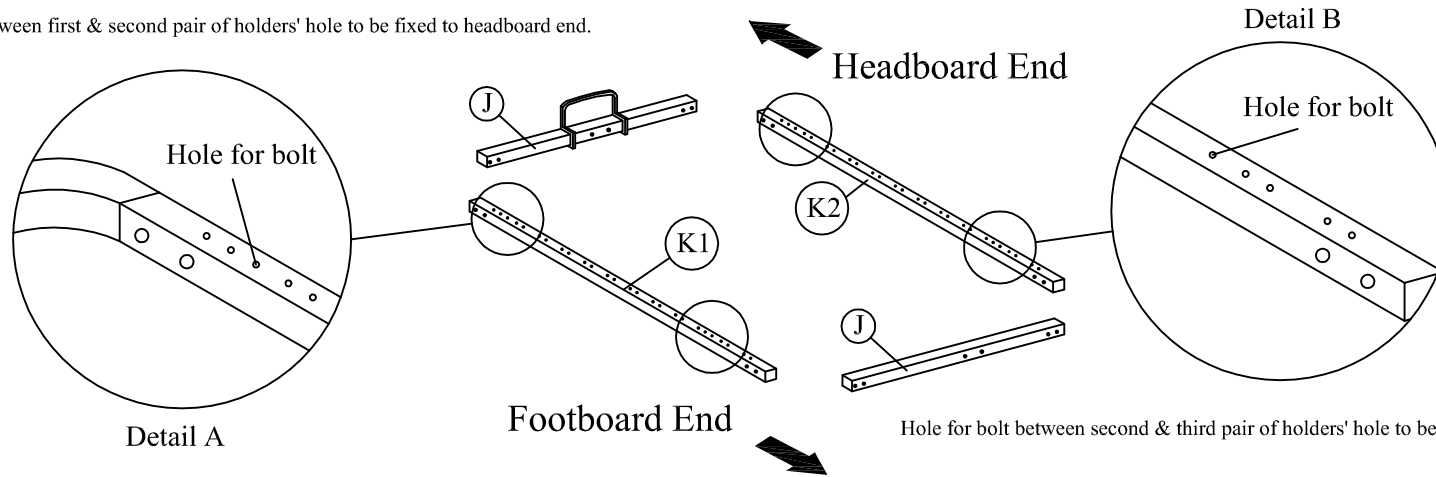


Step 4: Attach the handle to the main frame as shown.

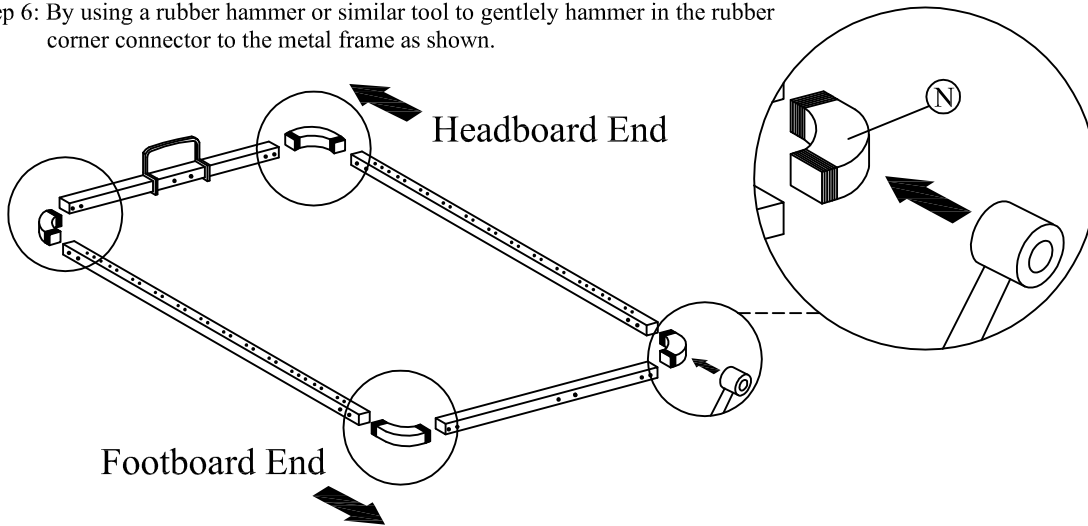


Step 5: Assemble the main frame as shown. The hole for bolt between first & second pair of holders indicate the frame end where it will need to fix to headboard end. The hole for bolt between second & third pair of holders indicate the frame end where it will need to fix to footboard end.

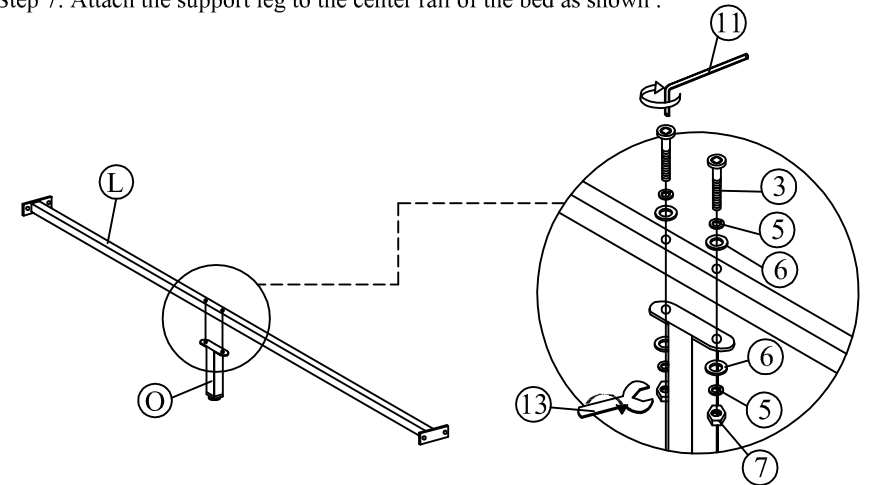
Hole for bolt between first & second pair of holders' hole to be fixed to headboard end.



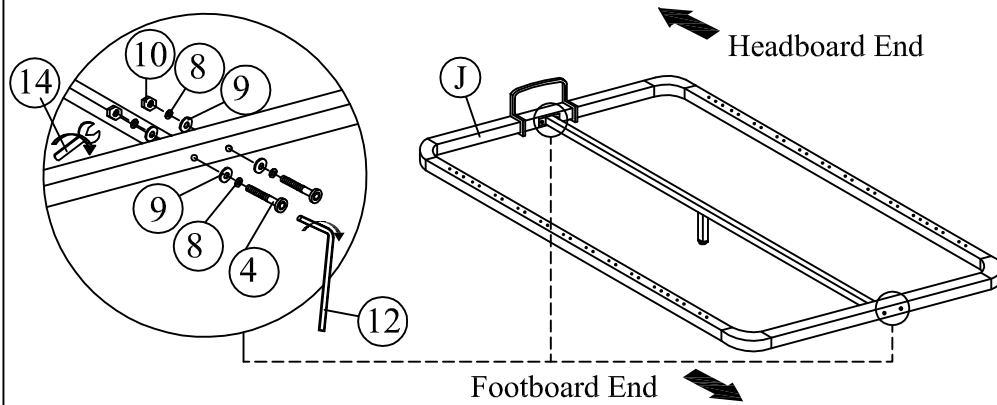
Step 6: By using a rubber hammer or similar tool to gently hammer in the rubber corner connector to the metal frame as shown.



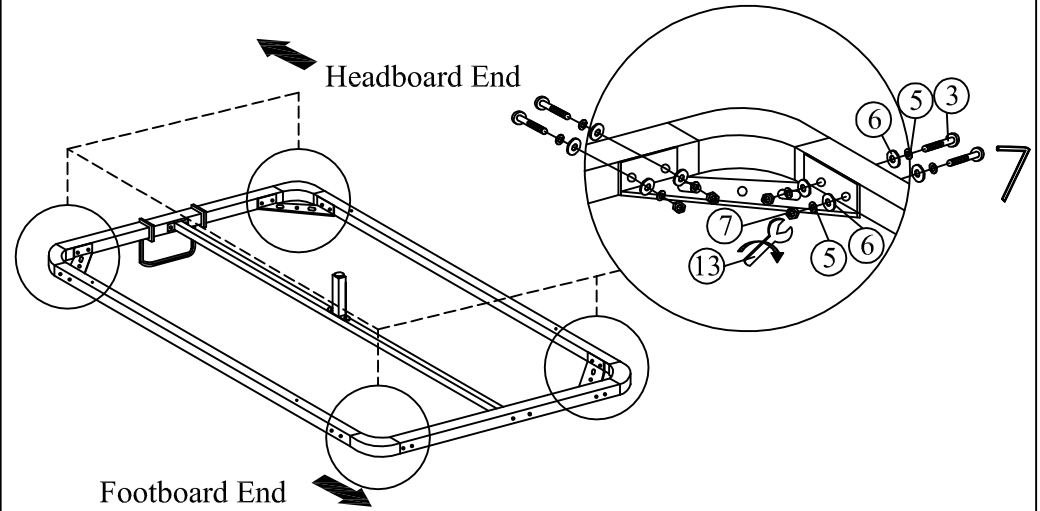
Step 7: Attach the support leg to the center rail of the bed as shown .



Step 8: Attach the center rail to the main frame as shown and fully tighten all the screw of the main frame.

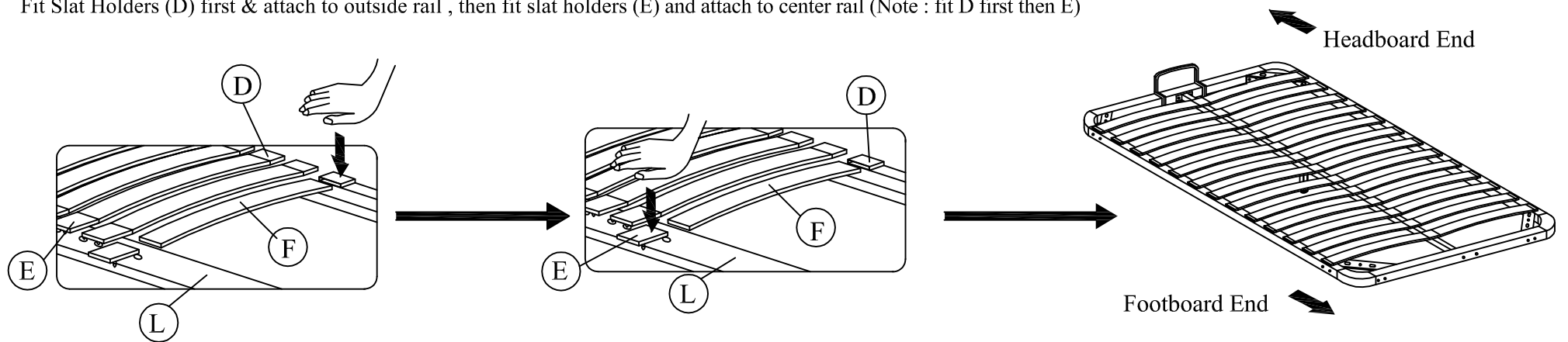


Step 8: Turn the frame upside down for fixing the metal corner bracket to the main frame as shown.

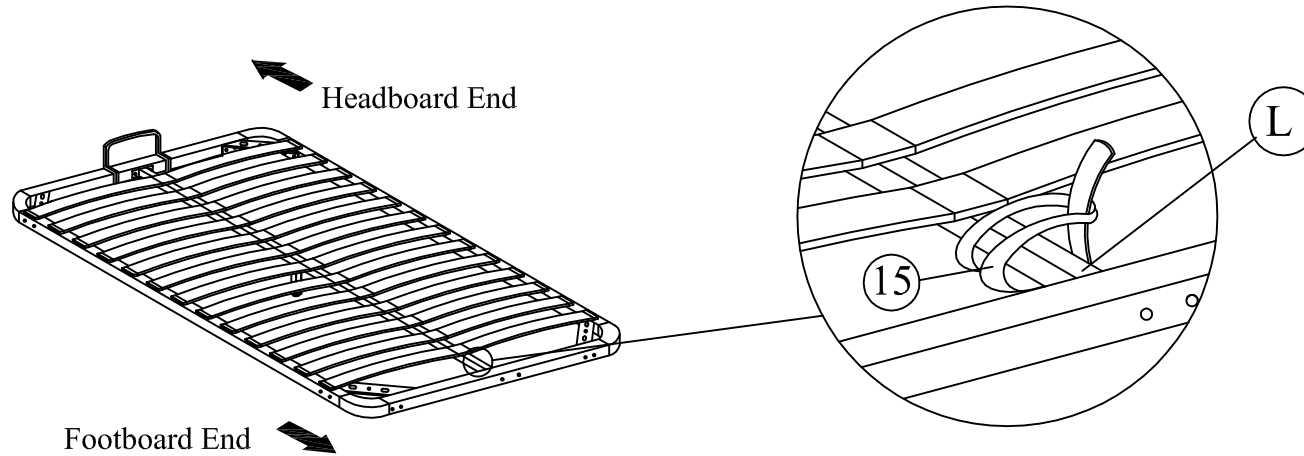


Step 10 : Install the slat holders with the slat and fix to the main frame.

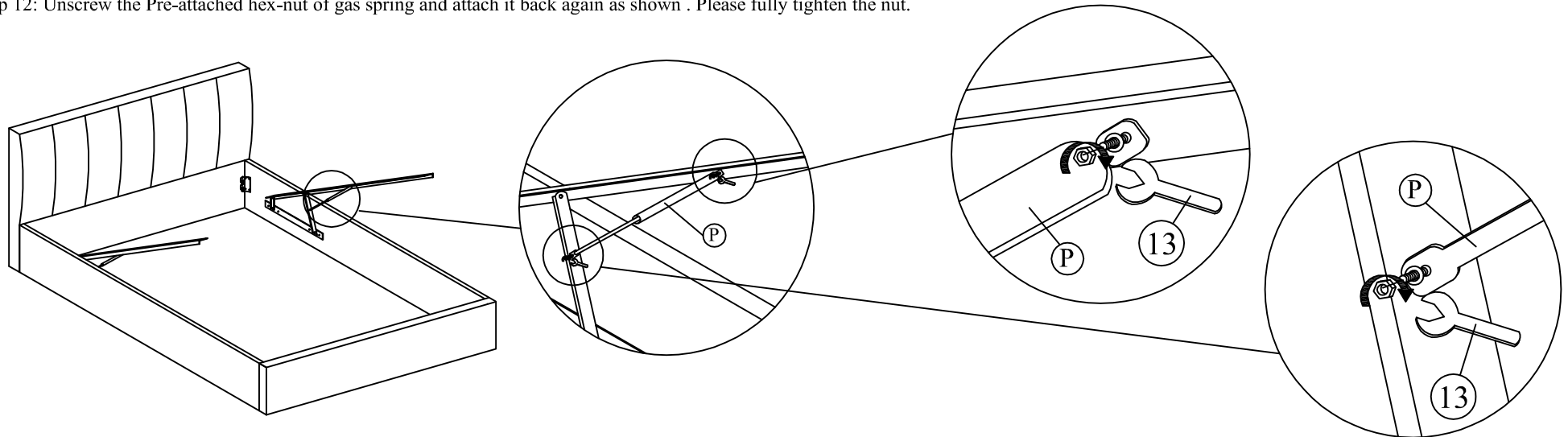
Fit Slat Holders (D) first & attach to outside rail , then fit slat holders (E) and attach to center rail (Note : fit D first then E)



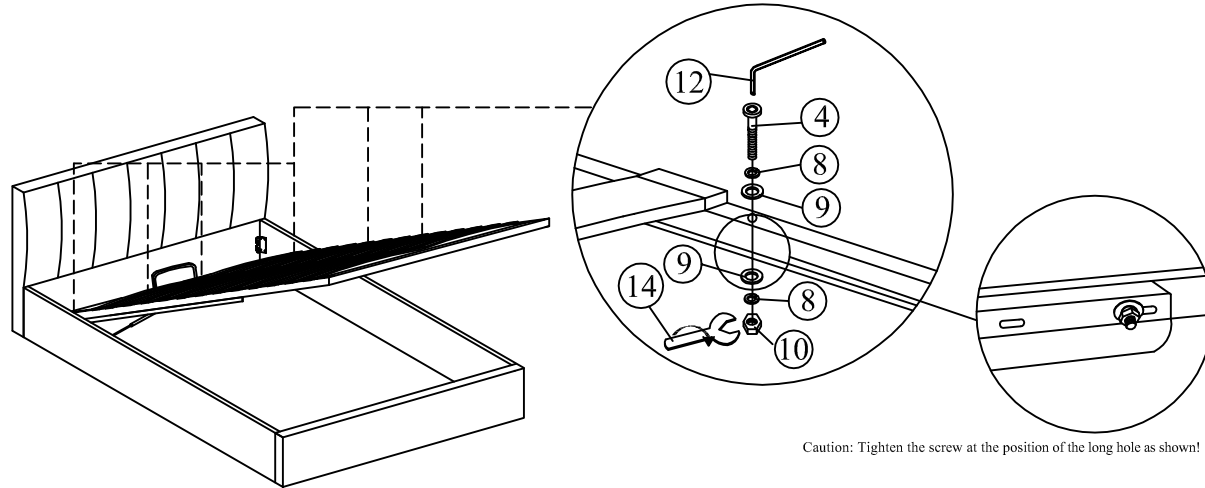
Step 11 : Attach the frame lifter to the center rail Foot by crossing over and looping it through it self .



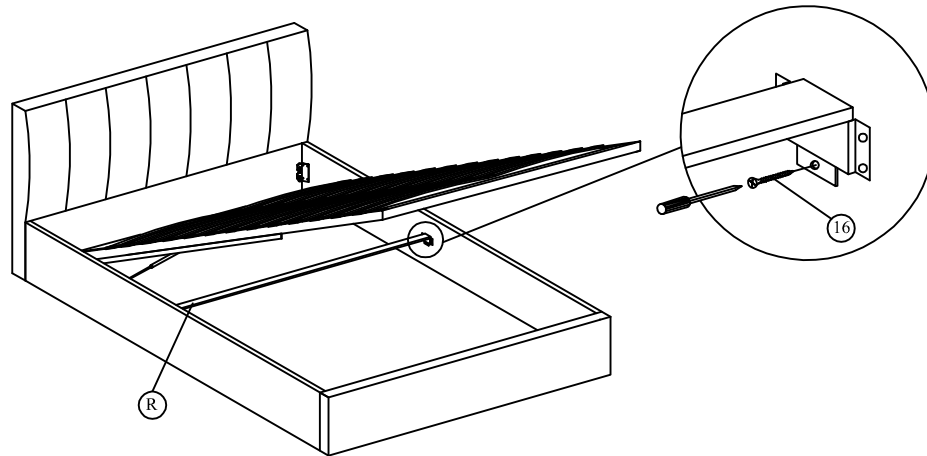
Step 12: Unscrew the Pre-attached hex-nut of gas spring and attach it back again as shown . Please fully tighten the nut.



Step 13: Assembly the main frame to the bracket and tighten all the fitting accordingly .



Step 14: Slide the stiffener slat to the side sail . Tighten screws using screw driver (not included) to the side rail .



Step 15: Assembly is complete.

