
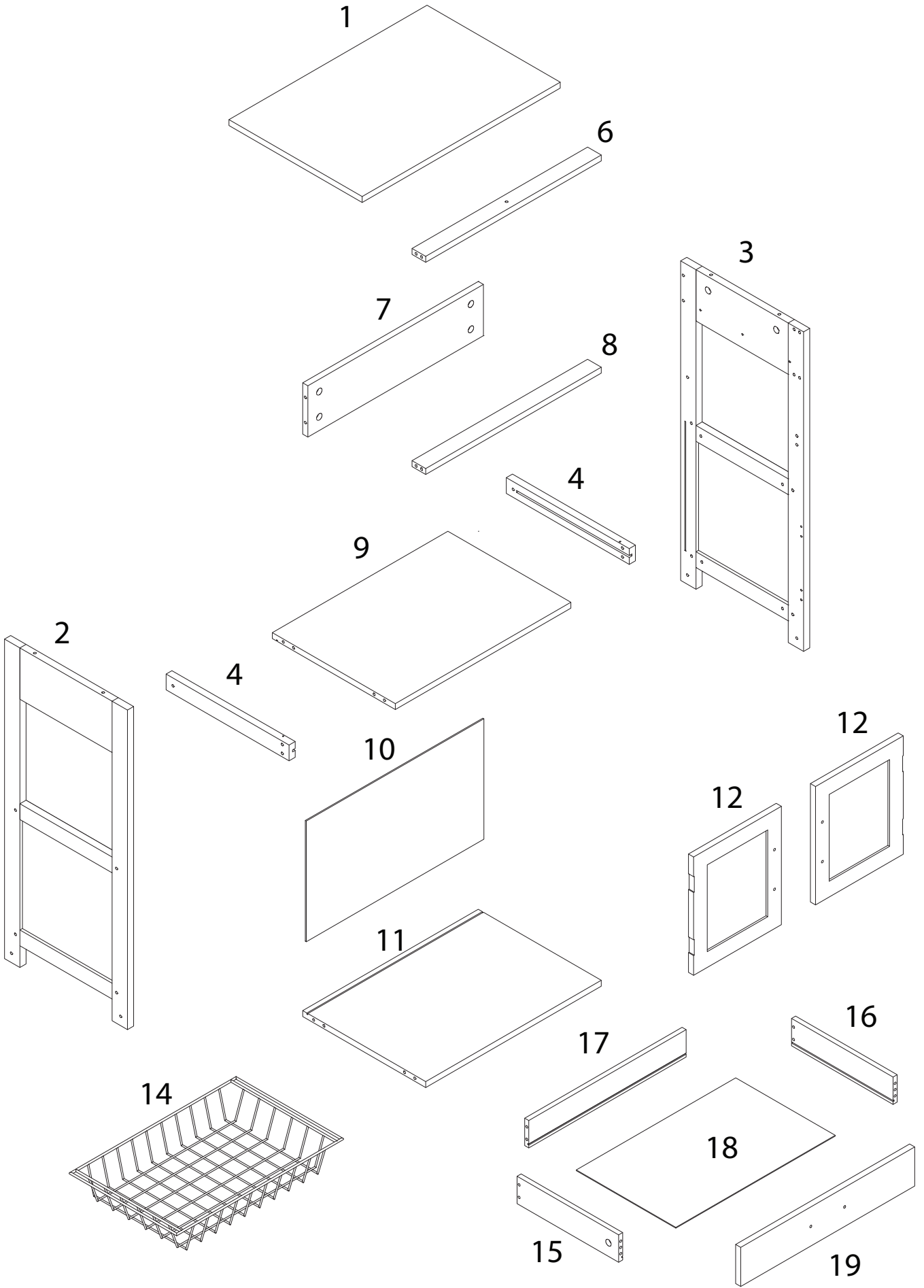
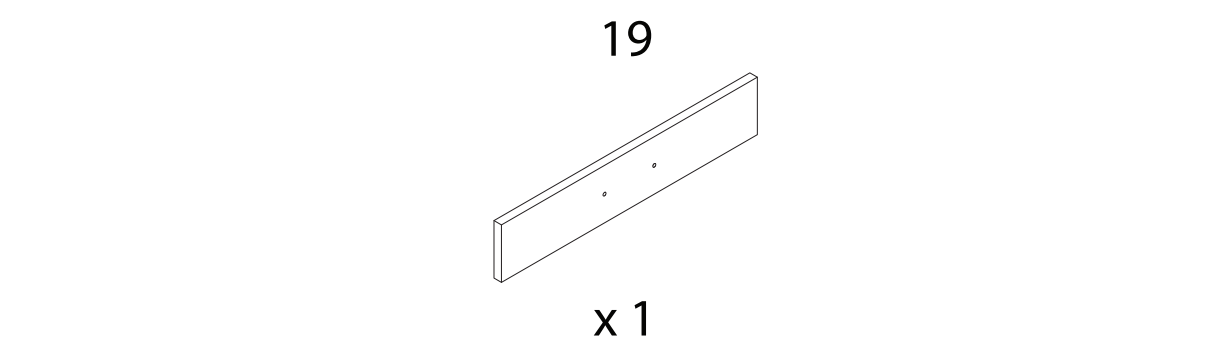
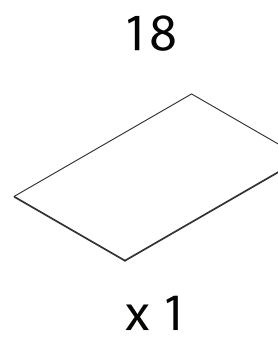
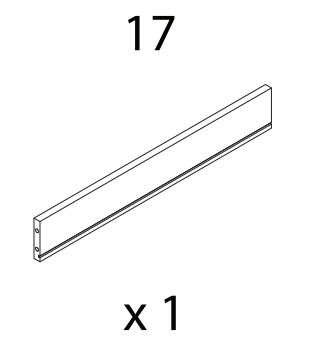
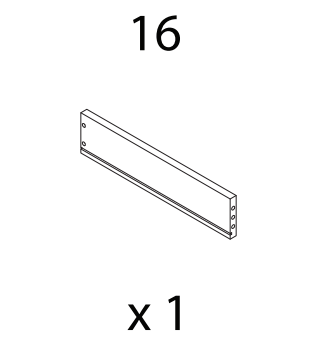
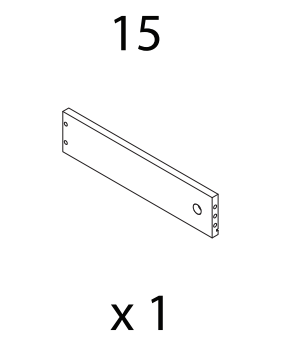
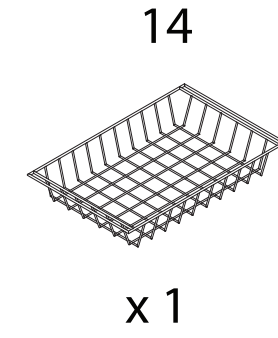
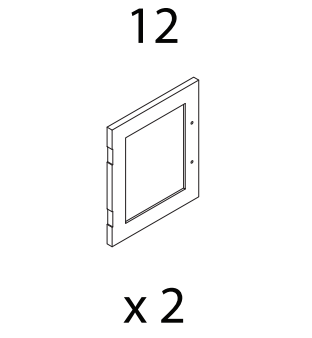
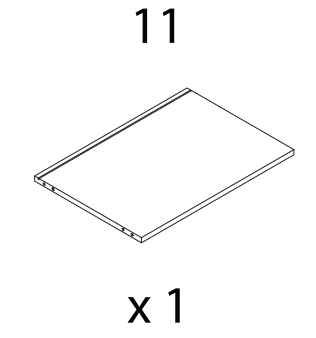
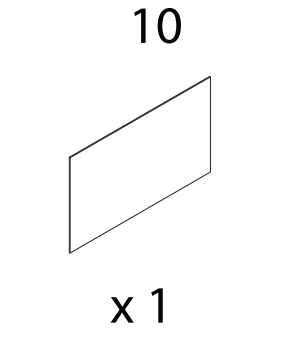
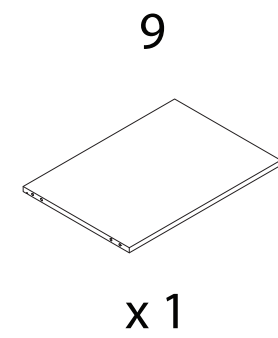
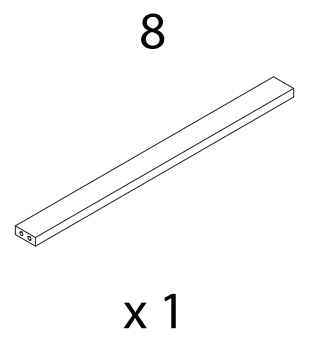
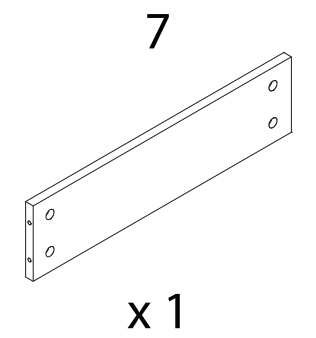
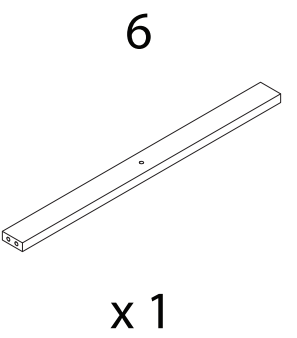
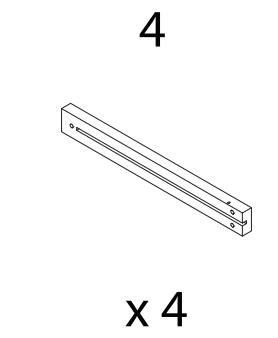
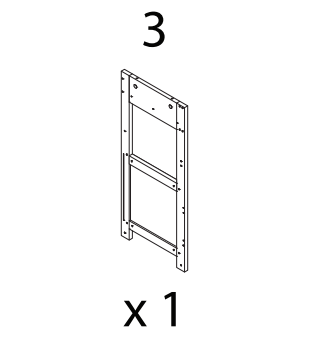
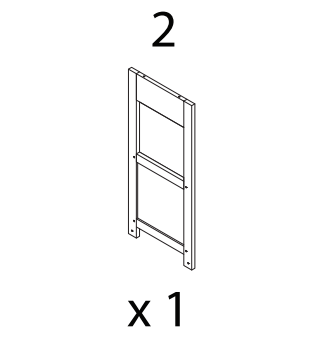
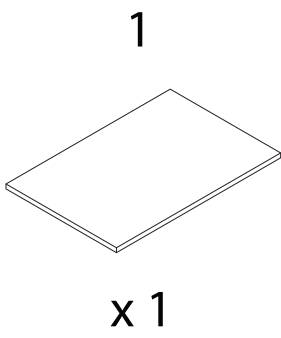
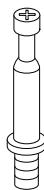
	<p>60'</p>
		
		<p>2</p>





A



x 14

B



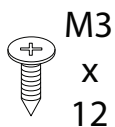
x 14

C



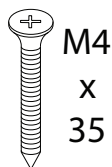
x 16

D



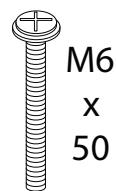
x 28

E



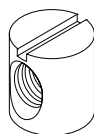
x 4

F



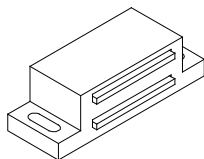
x 8

G



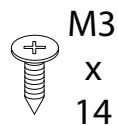
x 8

H



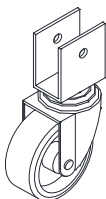
x 1

I



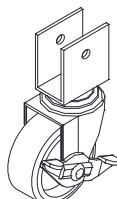
x 6

J



x 2

K



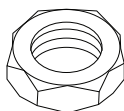
x 2

L



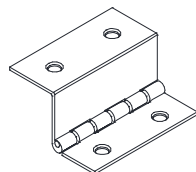
x 4

M



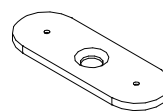
x 4

N



x 4

O



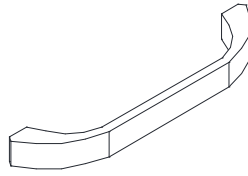
x 2

P



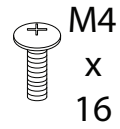
x 7

Q



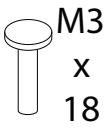
x 3

R



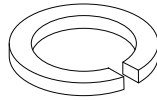
x 6

S



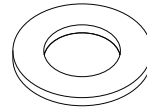
x 2

T



x 4

U



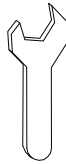
x 4

V



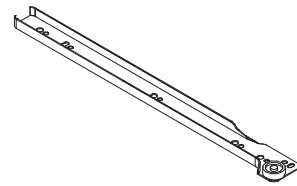
x 4

W



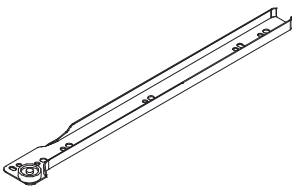
x 1

YR



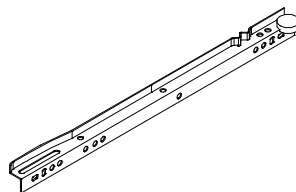
x 1

YL



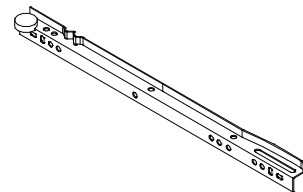
x 1

ZR



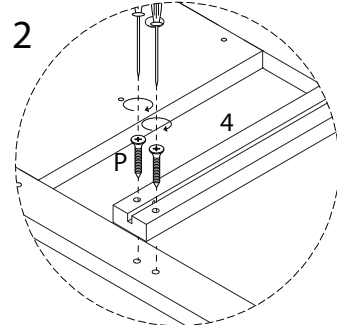
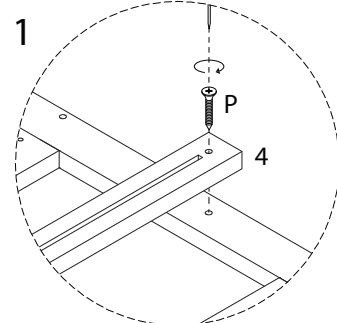
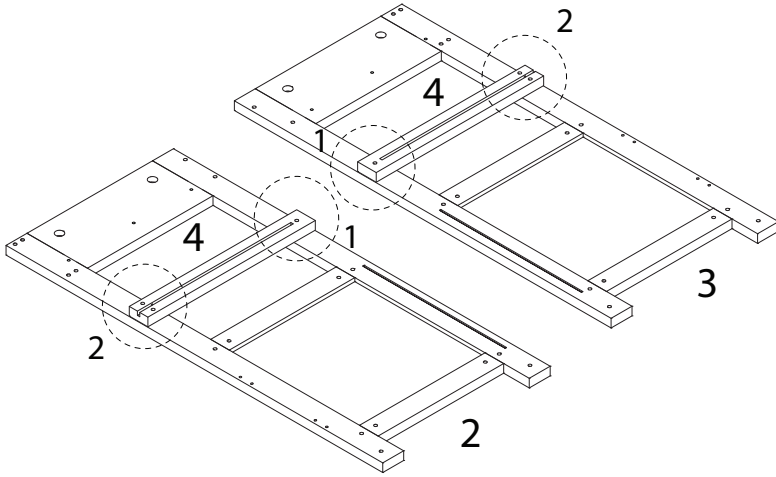
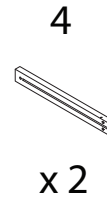
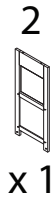
x 1

ZL

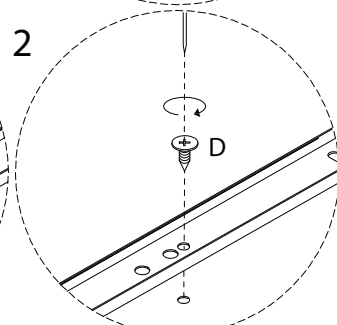
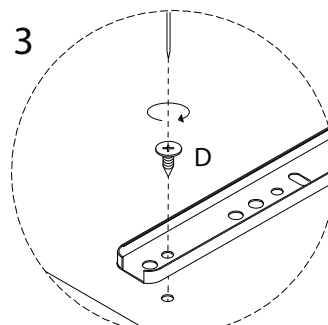
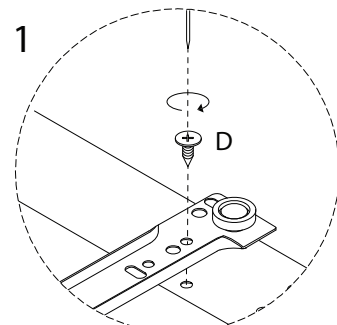
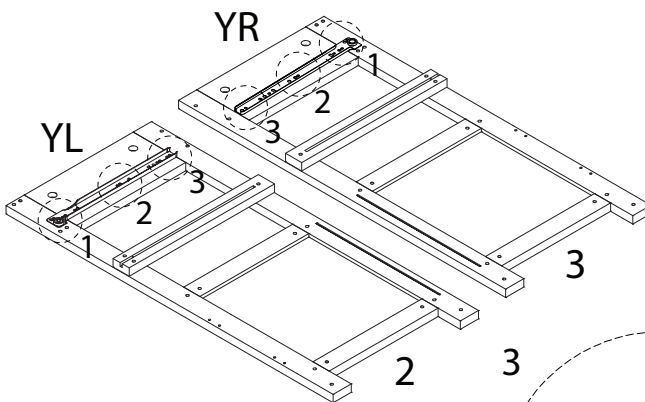
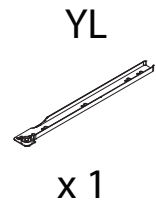
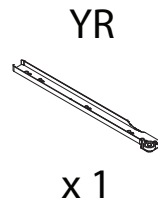
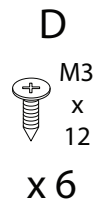


x 1

1



2

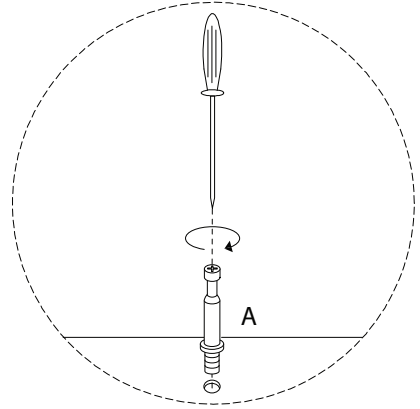
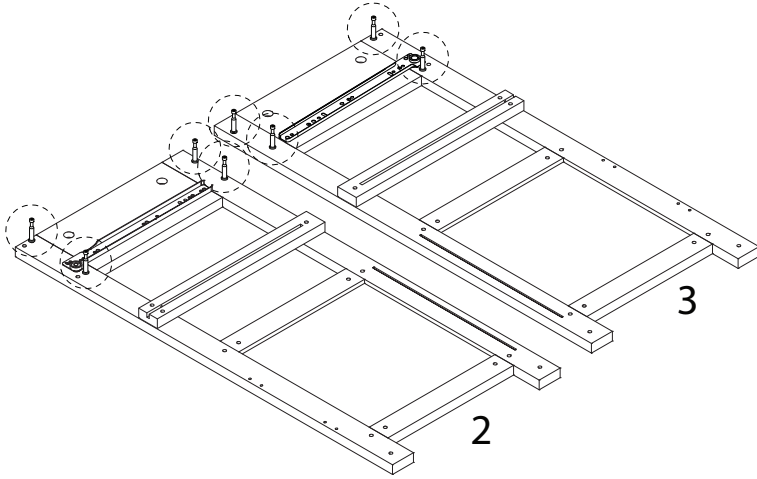


3

A

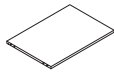


x 8



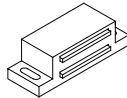
4

9



x 1

H

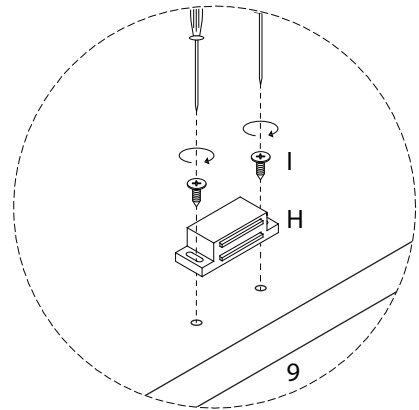
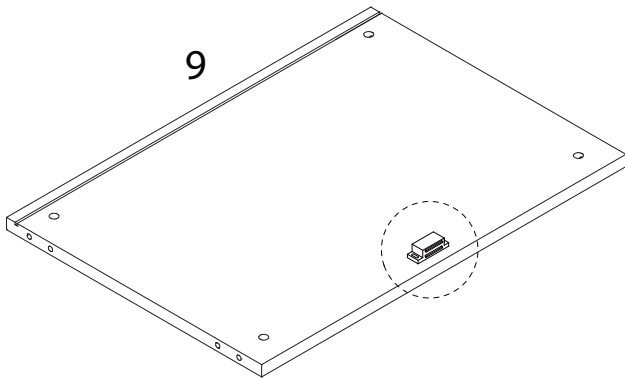


x 1

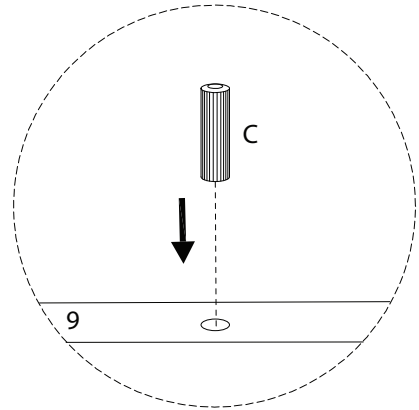
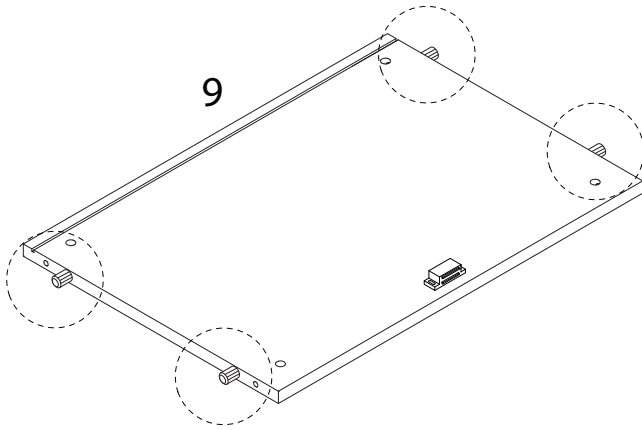
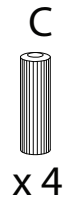
I



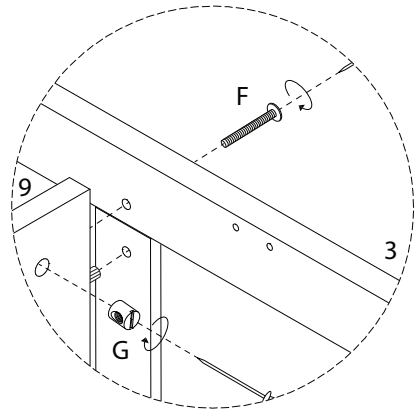
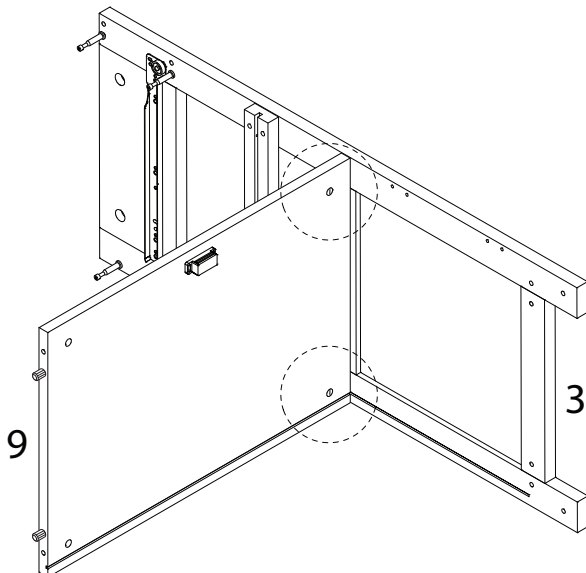
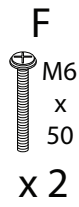
x 2



5

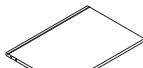


6



7

11

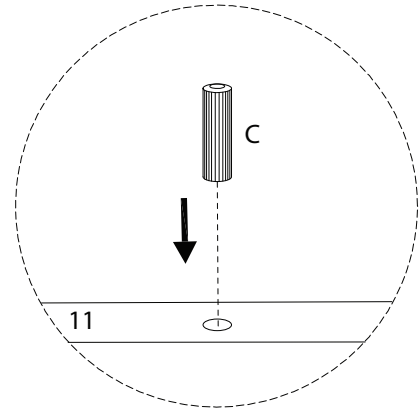
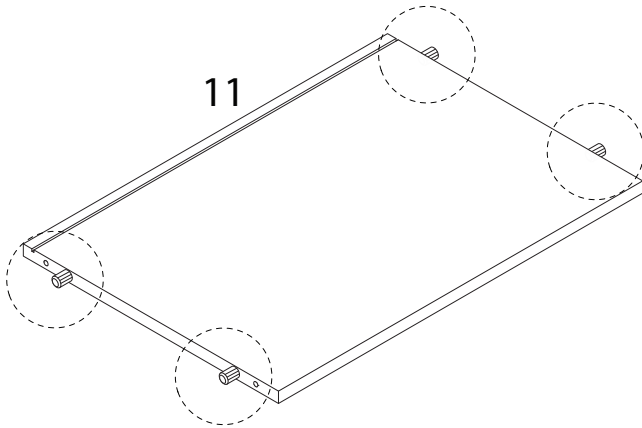


x 1

C



x 4



8

F

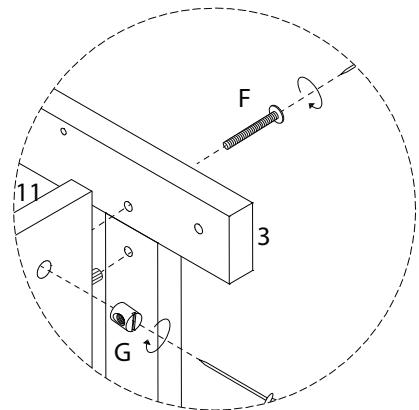
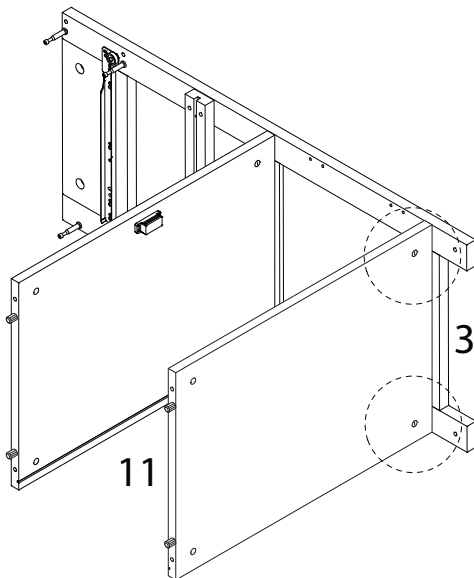


x 2


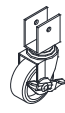
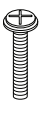

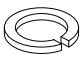
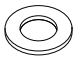

G

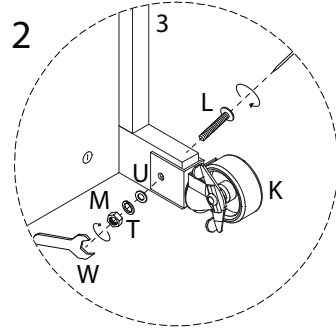
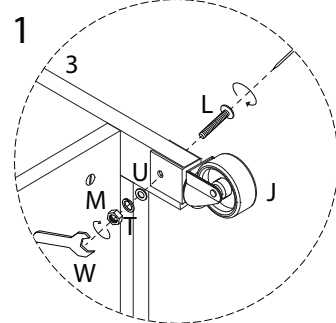
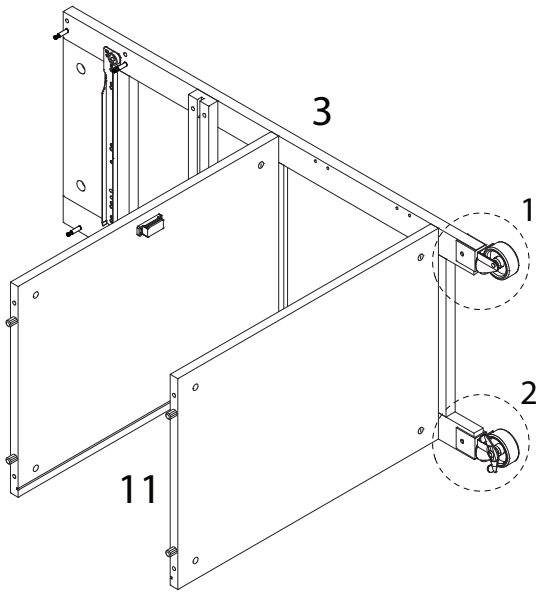


x 2

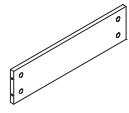



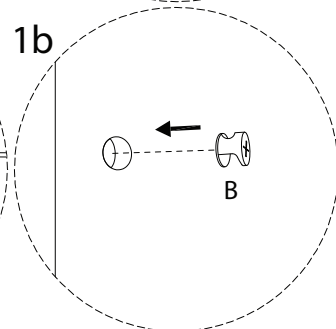
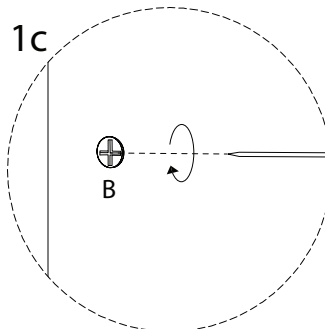
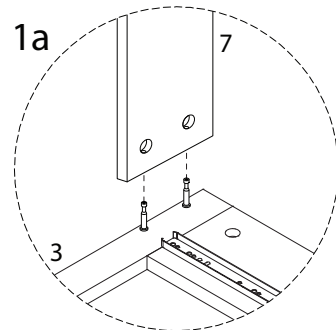
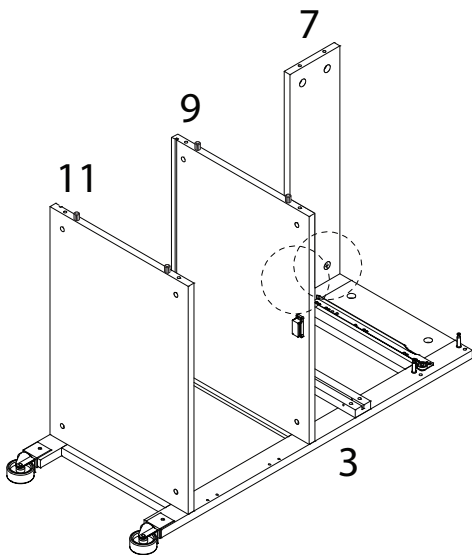
9

J  x 1	K  x 1	L  M6 x 30 x 2	M  x 2	T  x 2	U  x 2	W  x 1
--	--	---	--	--	--	--



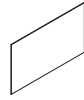
10

7  x 1	B  x 2
--	--

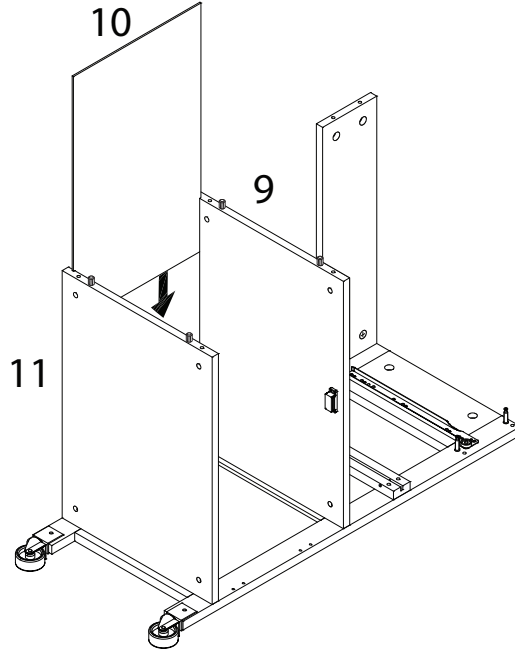


11

10

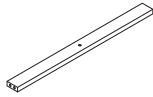


x 1



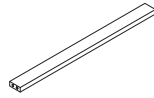
12

6



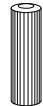
x 1

8

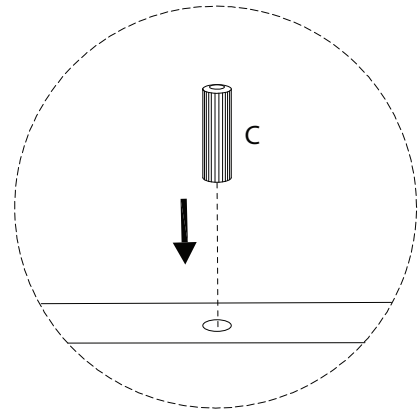
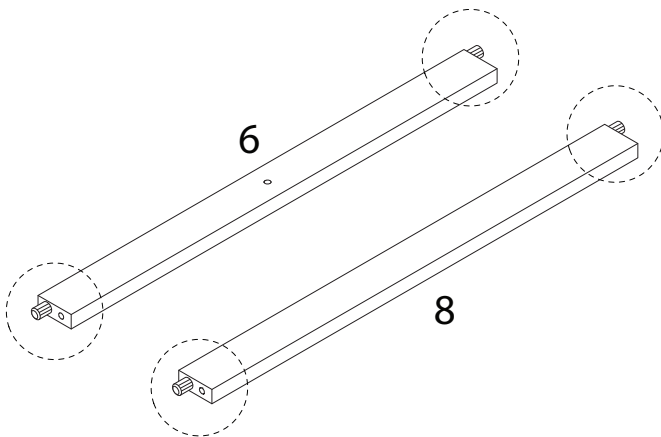


x 1

C



x 4

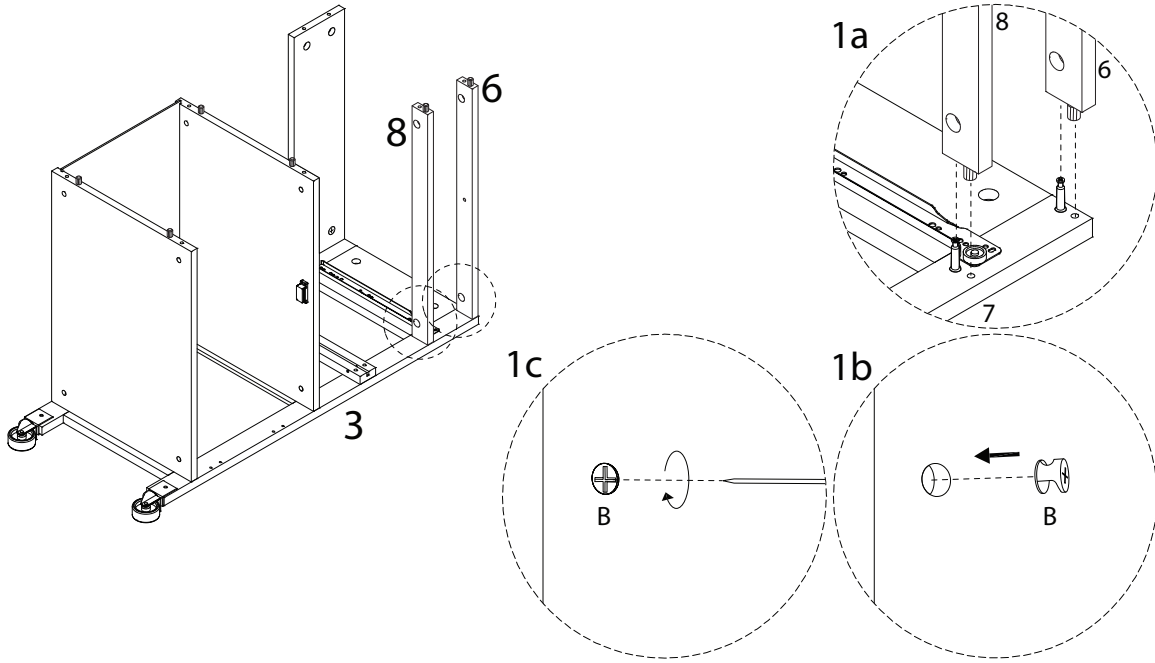


13

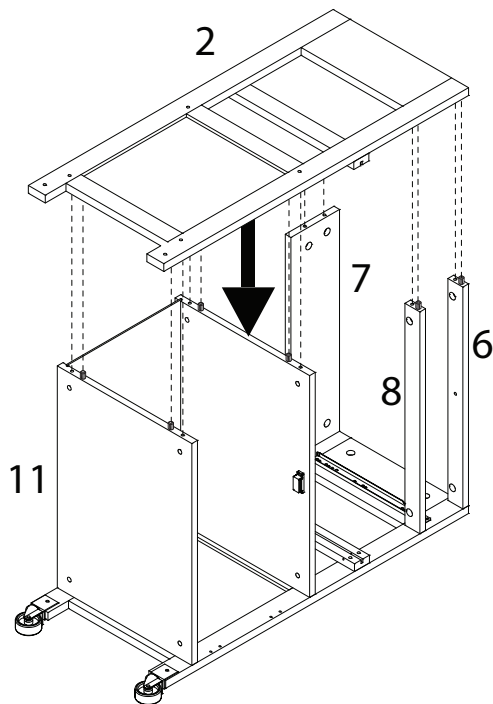
B



x2



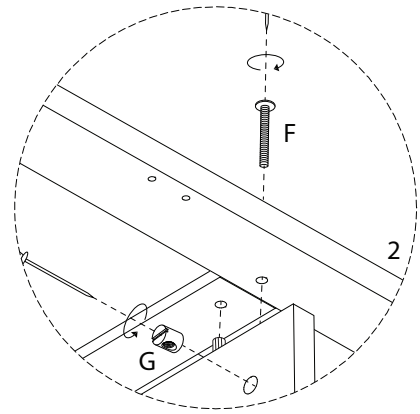
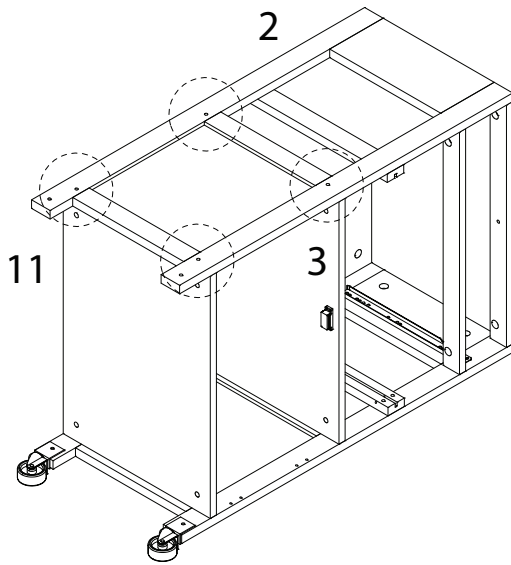
14



15

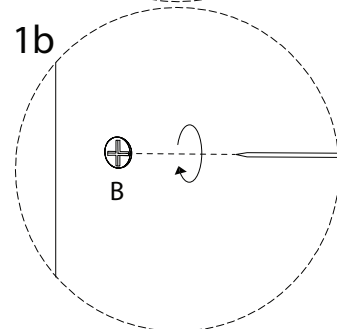
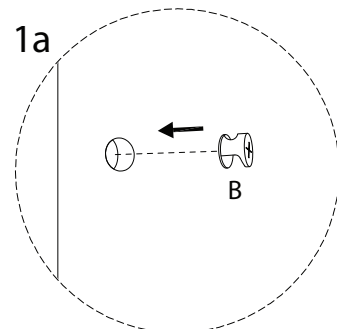
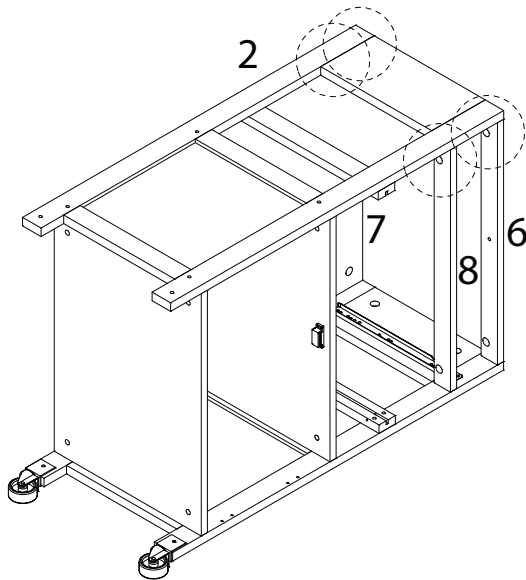
F
M6
x
50
x 4

G
x 4



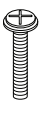

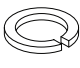
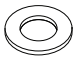



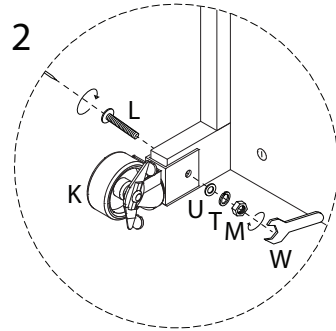
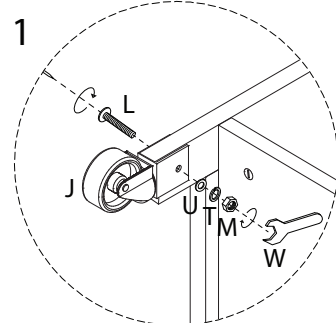
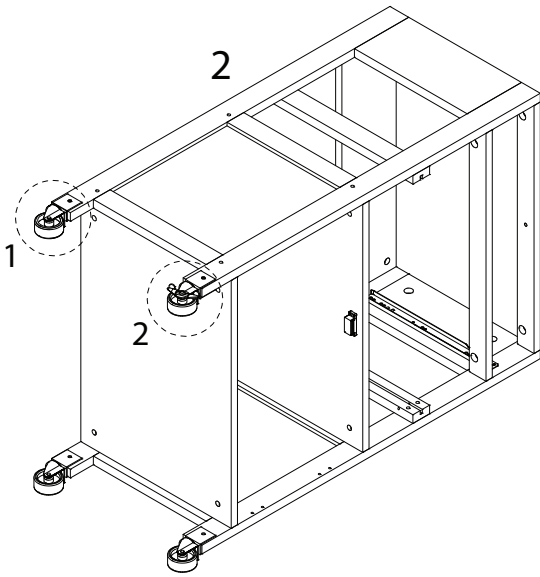
16

B
x 4

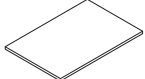



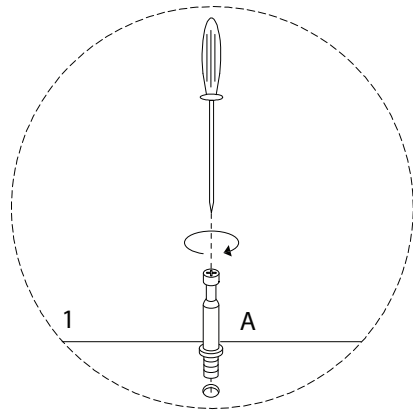
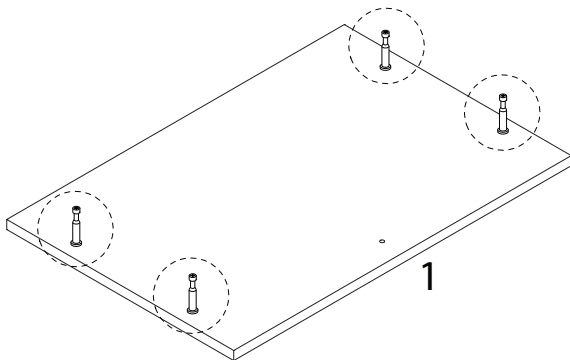
17

J  x 1	K  x 1	L  M6 x 30 x 2	M  x 2	T  x 2	U  x 2	W  x 1
---	---	---	---	---	---	---

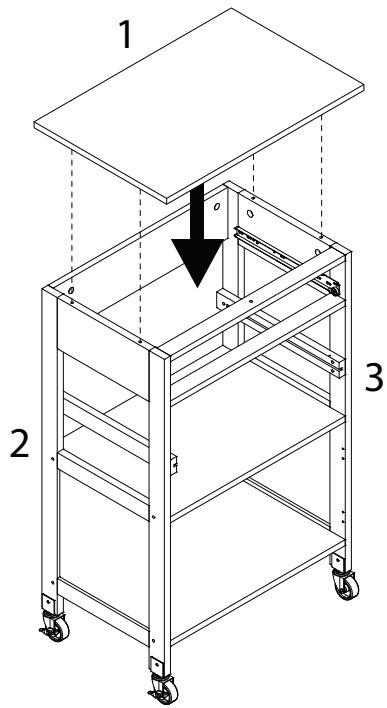


18

1  x 1	A  x 4
---	---

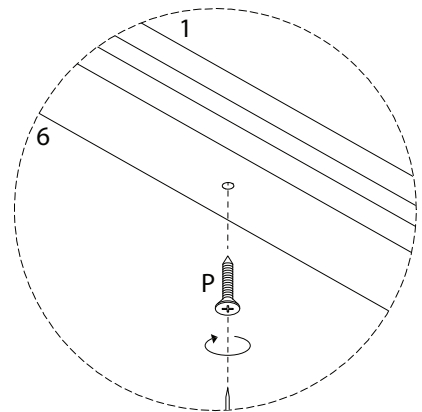
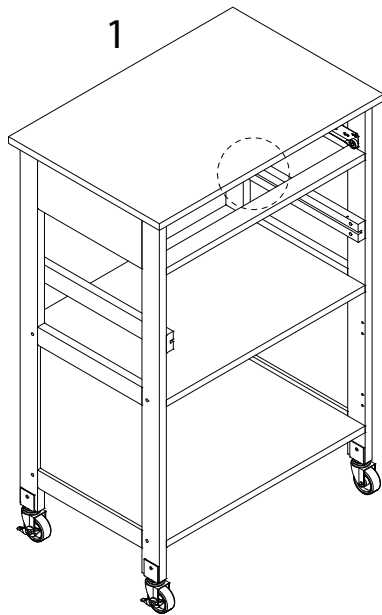


19



20

P
M4
x
25
x 1

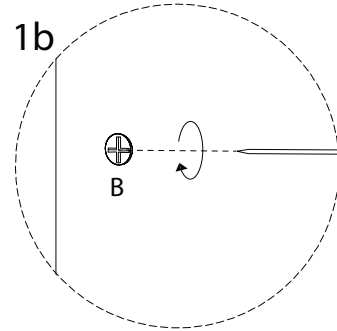
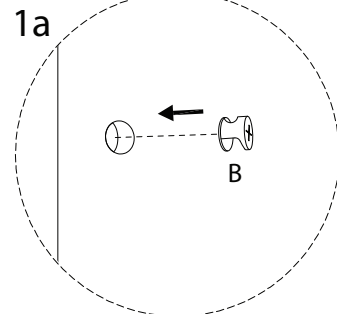
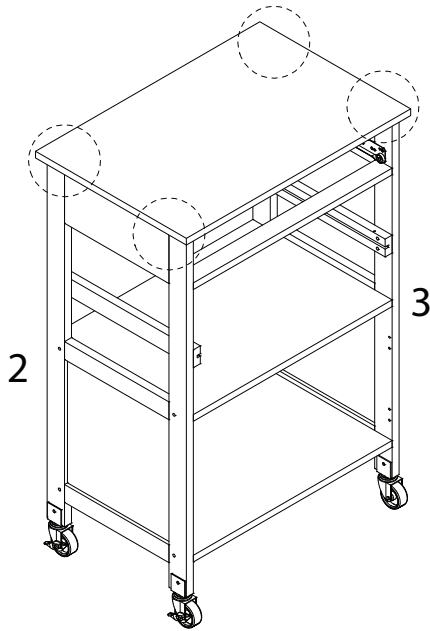


21

B

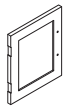


x 4



22 x 2

12



x 1

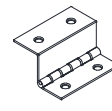
D



M3
x
12

x 5

N

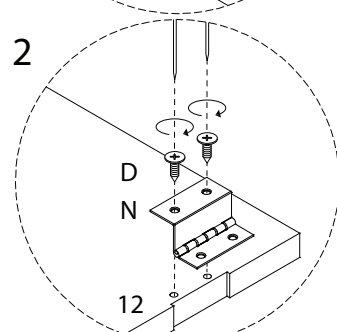
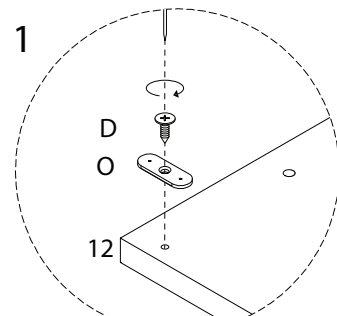
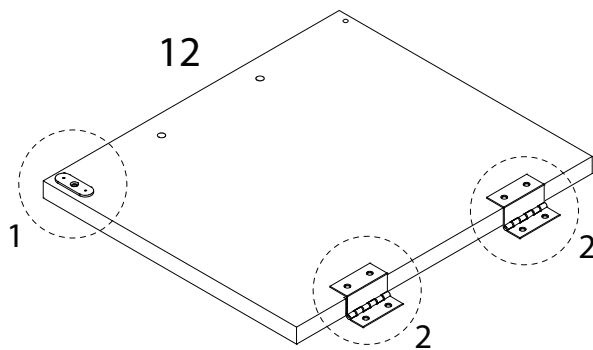


x 2

O

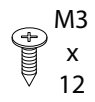


x 1

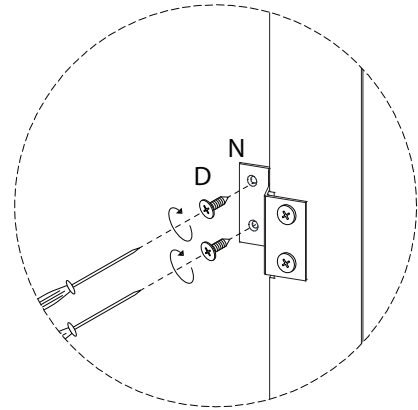
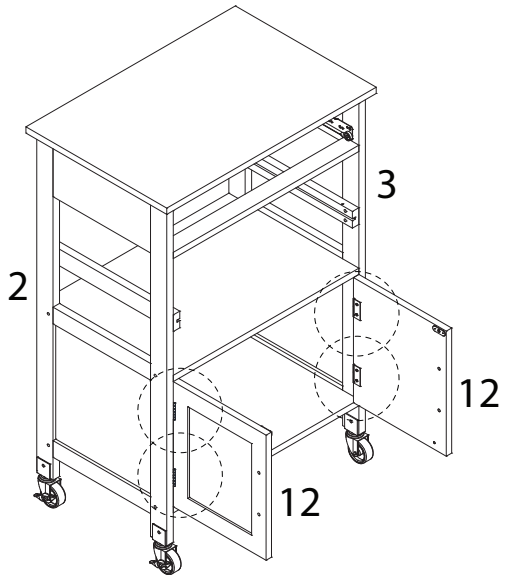


23

D



x 8



24

Q

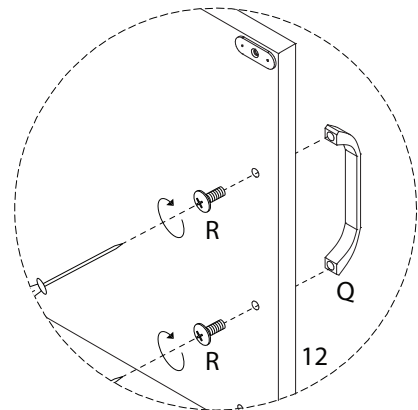
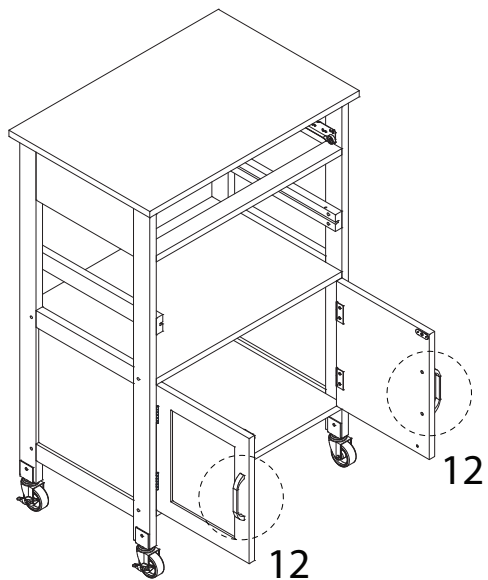


x 2

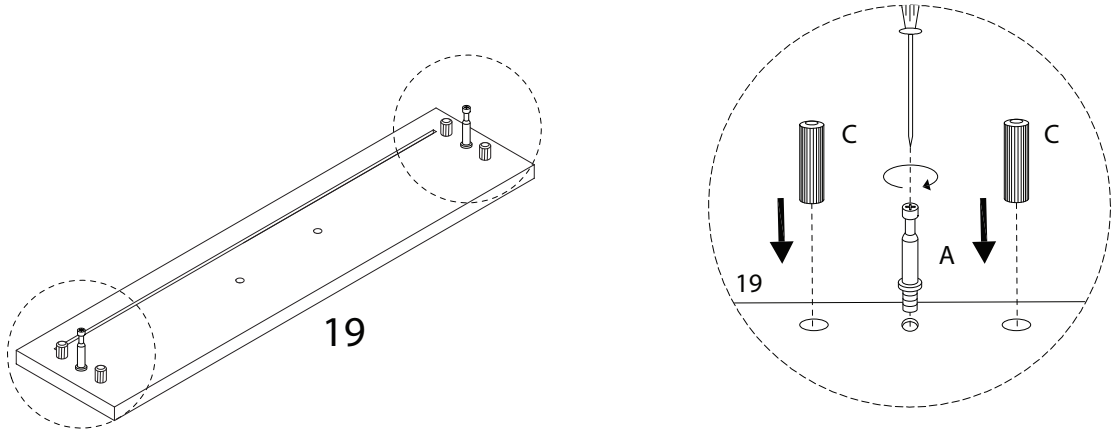
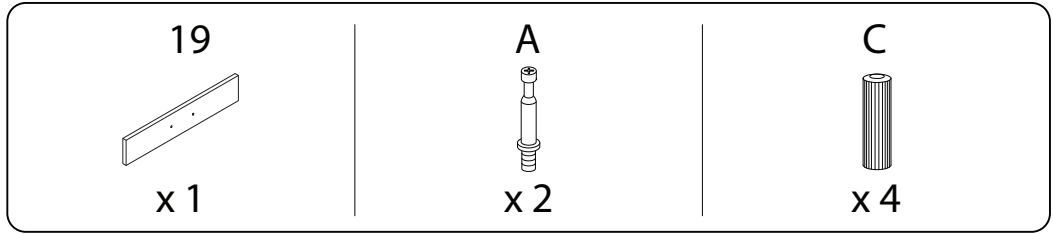
R



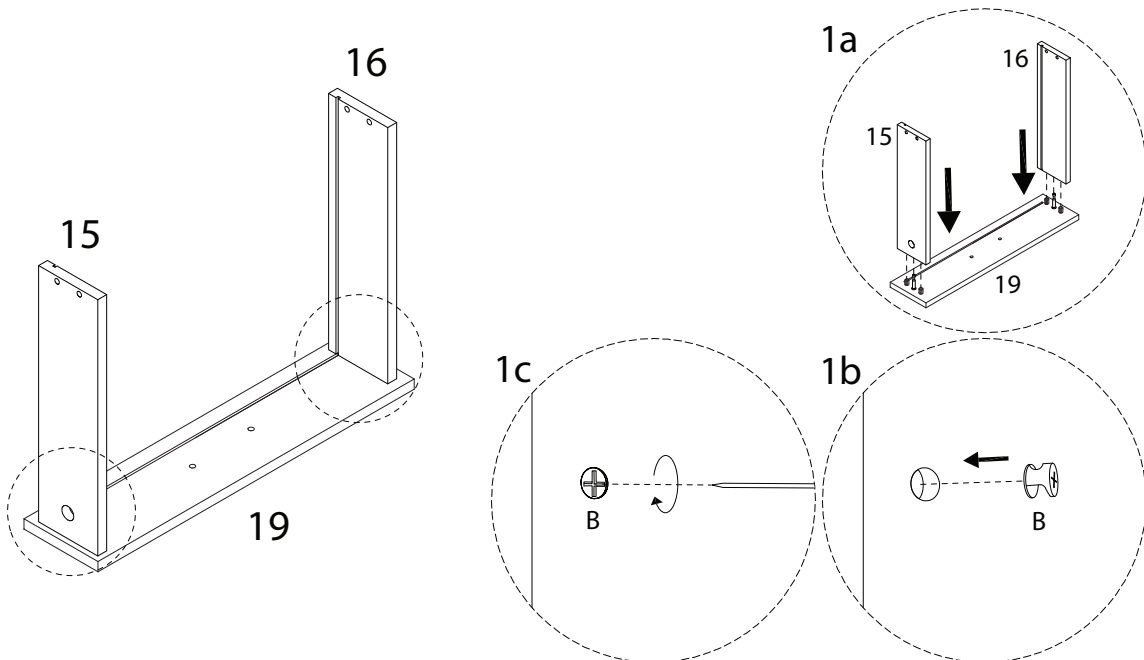
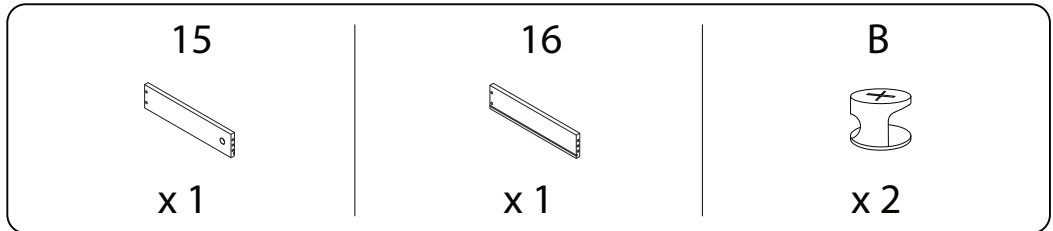
x 4



25

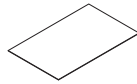


26

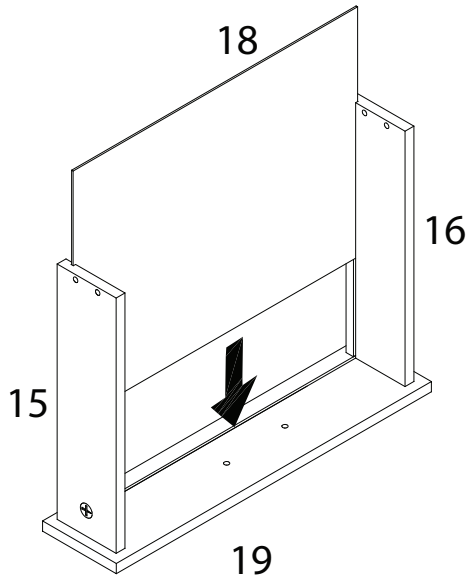


27

18

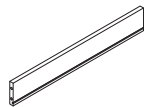


x 1



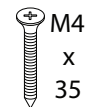
28

17

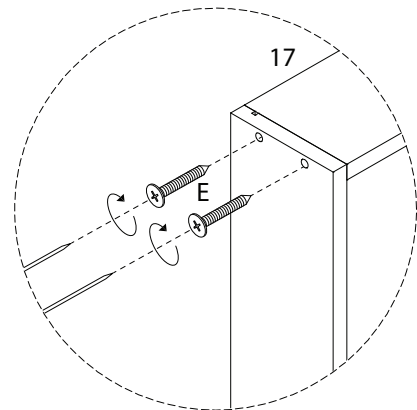
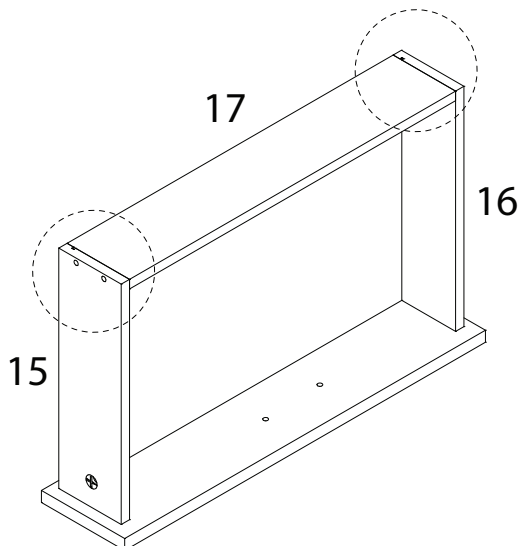


x 1

E



x 4

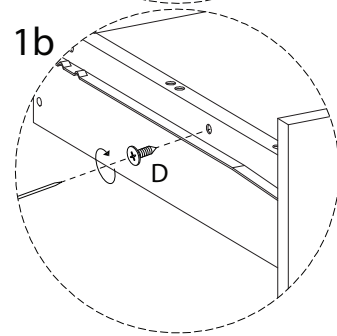
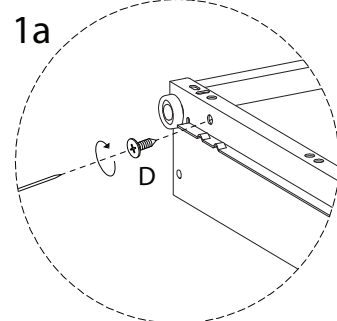
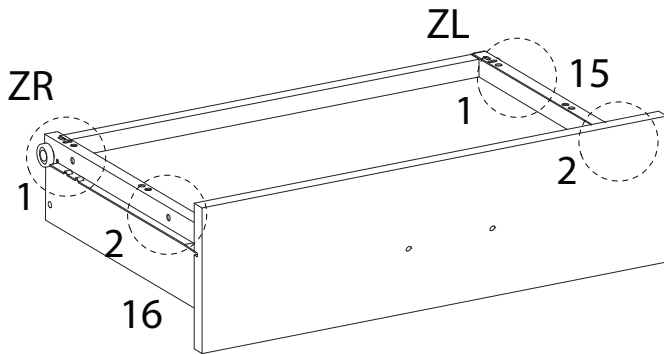


29

D
M3
x
12
x 4

ZR
x 1

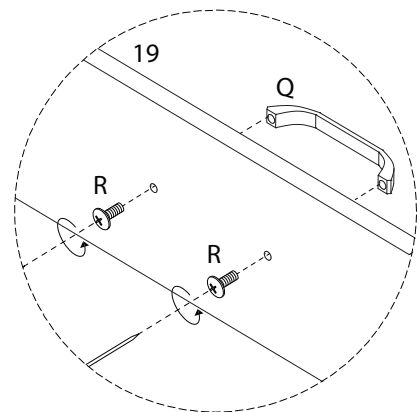
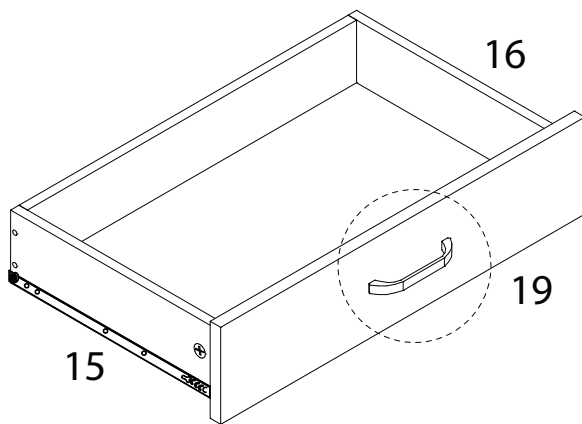
ZL
x 1



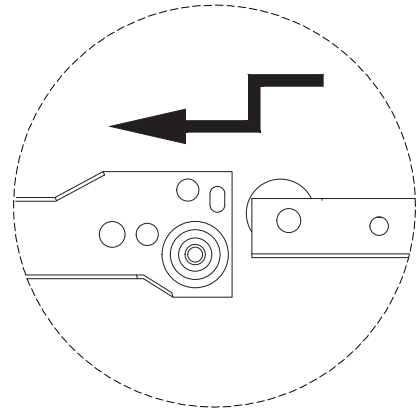
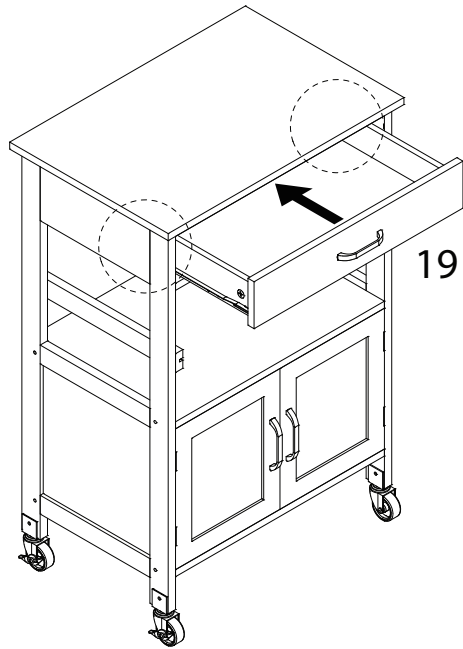
30

Q
x 1

R
M4
x
16
x 2



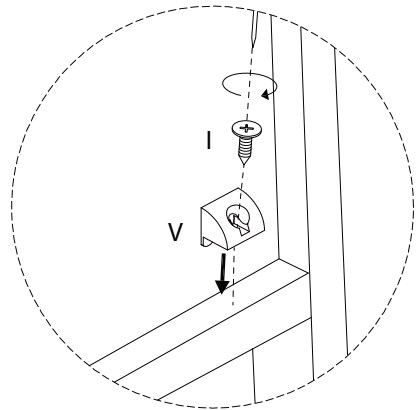
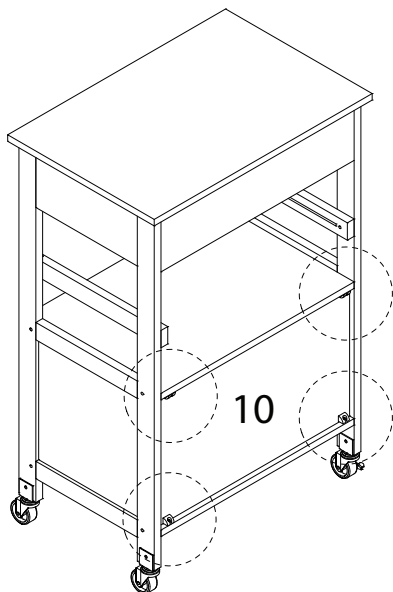
31



32

I
M3
x
14
x 4

V
x 4

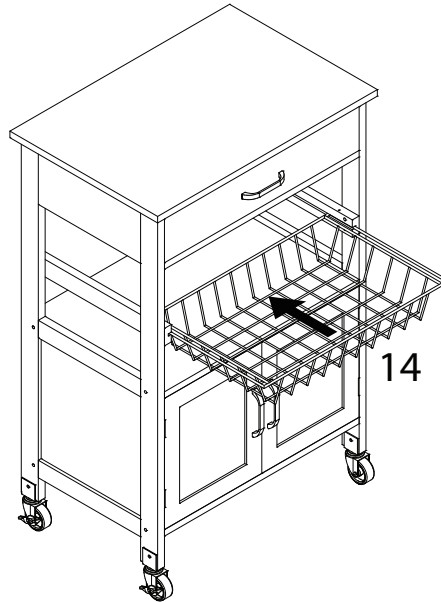


33

14

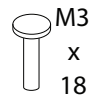


x 1



34

S



x 2

