



MODEL N° 90046

OWNER'S MANUAL

COPY

Keep this Product ID Number and use when contacting Customer Service:

REGISTER YOUR PRODUCT ONLINE AT WWW.LIFETIME.COM

At Lifetime, we are committed to providing innovative and quality products. While registering, you will have the opportunity to give us your feedback. Your input is valuable to us.

- You can also opt in to receive new product notifications or promotions.
- In the unlikely event of a product recall or safety modification, your registration provides the information we need to notify you directly.
- Registration is fast, easy, and completely voluntary.

Lifetime's Promise to You:

Maintaining your privacy is our long-standing policy at Lifetime. And you can rest assured that Lifetime will not sell or provide your personal data to other third parties, or allow them to use your personal data for their own purposes.

We invite you to read our privacy policy at www.lifetime.com

REGISTER today!

Save this owner's manual for future reference and in the event that the manufacturer has to be contacted.



Questions or Missing Parts?

ID: _____

TO SAVE TIME WHEN CONTACTING CUSTOMER SERVICE, PLEASE HAVE THE PRODUCT ID AVAILABLE BEFORE YOU CALL; IT'S LOCATED AT THE BOTTOM-LEFT CORNER OF THE FRONT PAGE OF THIS MANUAL.

****U.S. and Canada customers ONLY****

FOR CUSTOMERS OUTSIDE THE U.S. OR CANADA, PLEASE CONTACT THE STORE FOR ASSISTANCE.

DO NOT CONTACT THE STORE!
CALL OUR CUSTOMER SERVICE DEPARTMENT at
1 (800) 225-3865

HOURS: 7:00 a.m. to 5:00 p.m. Monday through Friday (Mountain Standard Time)

Call, or visit our Web site for Saturday hours



****One adult required to complete setup****

**This product can be set up by one adult.
Setup is simplified with two adults.**

PARTS LIST

ID	Item Description	Qty	✓
BZE	Adjustable Goal and Net Assembly	1	<input type="checkbox"/>
BZF	Storage Straps	2	<input type="checkbox"/>
BZG	Net Straps	12*	<input type="checkbox"/>
BZH	Stakes	5	<input type="checkbox"/>
BZI	Stake Bag	1	<input type="checkbox"/>

PARTS IDENTIFIER

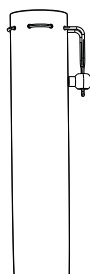
Parts not shown to scale



BZE (x1)
Adjustable Goal and Net Assembly



BZH (x5)
Stakes



BZI (x1)
Stake Bag



BZF (x2)
Storage Straps



BZG (x12)*
Net Straps

***Six (6) Net Straps (BZG) come pre-assembled to the Goal & Net Assembly (BZE).
The remaining six (6) Straps are found in the Stake Bag (BZI).**

TOOLS REQUIRED

NO TOOLS REQUIRED FOR ASSEMBLY

SEC 1 GOAL SETUP

Step 1.1

Remove the **Storage Straps (BZF)** from the **Adjustable Goal and Net Assembly (BZE)**.



Note: The Net should remain attached to the Assembly. It has been omitted from these images in order to clarify parts handled during setup.

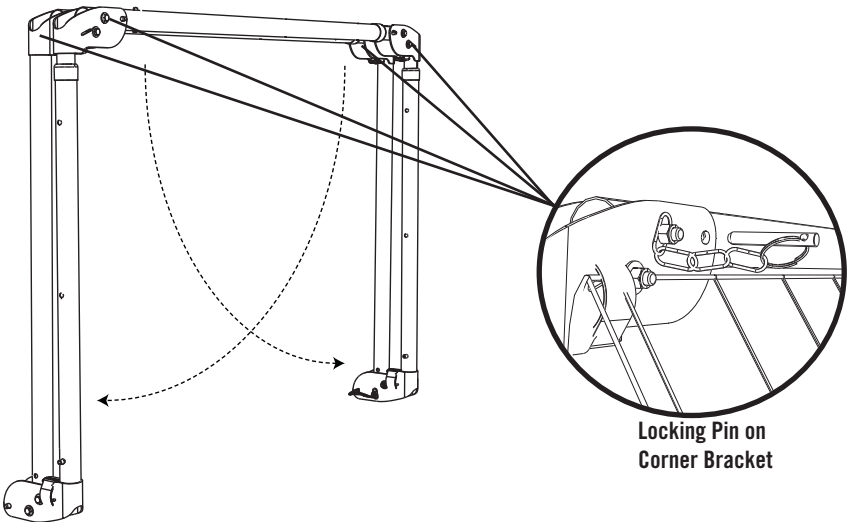


Note: Do not carry the Adjustable Goal and Net Assembly by the Storage Straps. When folded up, always carry the goal by holding the metal tubing.

Step 1.2

Swing the legs out as pictured. Lock the legs into place using the Locking Pins on the four corner brackets shown.

BZE

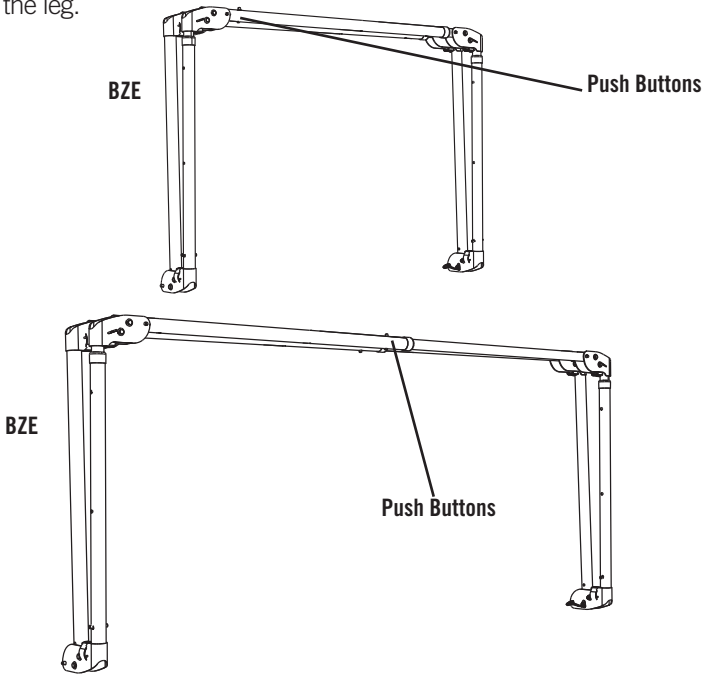


Note: If the Locking Pin is difficult to insert, turn the Pin so the ball on the Pin slips through the hole sideways. Jiggle the tubing while pushing the Pin through to line up all holes.

Step

1.3

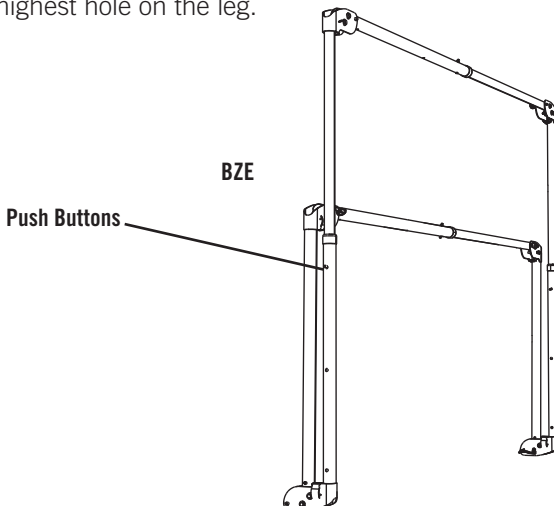
Press in the push buttons on the legs on both sides of the Goal. Extend the legs by sliding them out until the push buttons snap into the last hole on the leg.



Step

1.4

Raise the front of the Goal to the highest setting by pressing the push buttons in and sliding the legs until the push buttons snap into the highest hole on the leg.

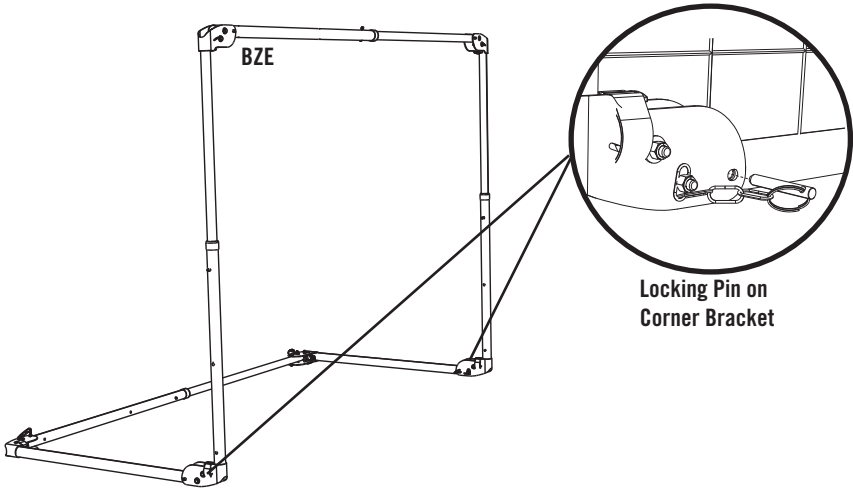


Note: Make sure one hand is placed on the top tube of the assembly and one hand placed on the side tube near the push button when performing this step.

Step

1.5

Unfold the back of the **Goal and Net Assembly (BZE)** until the unit forms a right angle as pictured. Lock the legs in place using the pins on the two corner brackets of the Assembly as shown.

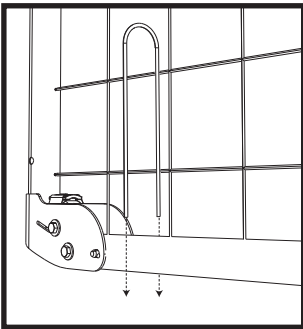


Locking Pin on
Corner Bracket

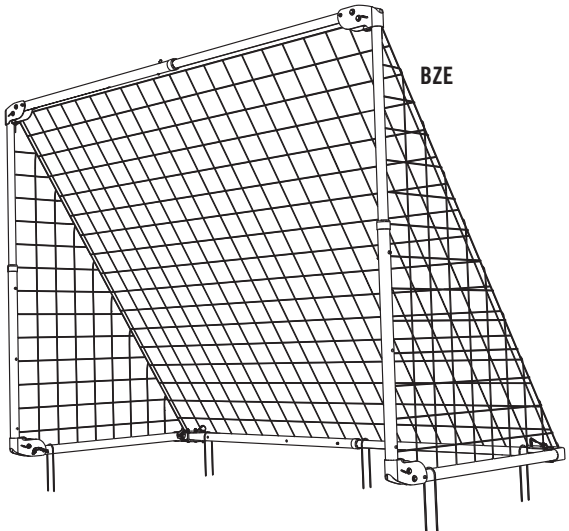
Step

1.6

Slide the **Stakes (BZH)** onto the metal tubes and push the ends into the ground by hand in the positions indicated.



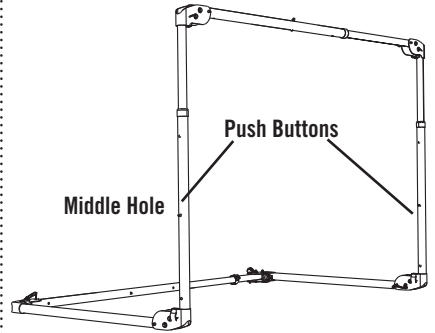
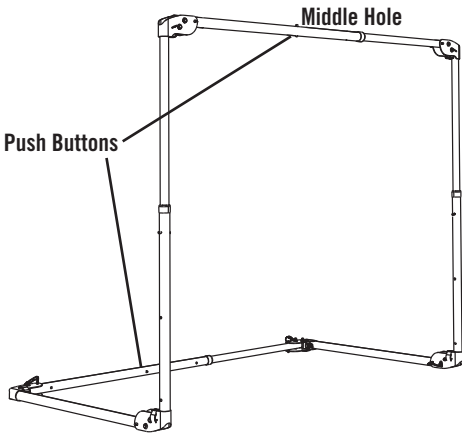
Stake



2 GOAL ADJUSTMENT

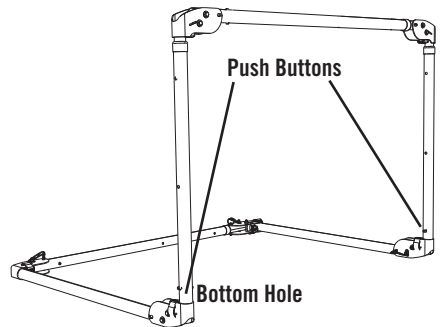
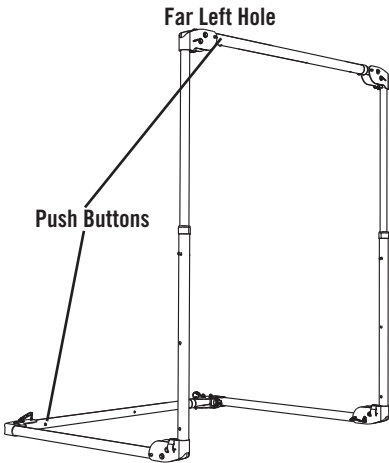
Step 2.1a

At full size, the Soccer Goal will measure 7' wide and 5' tall. **To adjust the size to 6' x 4'**, press the push buttons on the top and rear assembly legs and slide the goal to the middle hole on each tube. Press the push buttons on the side legs and slide the goal to the middle holes on each tube.



Step 2.1b

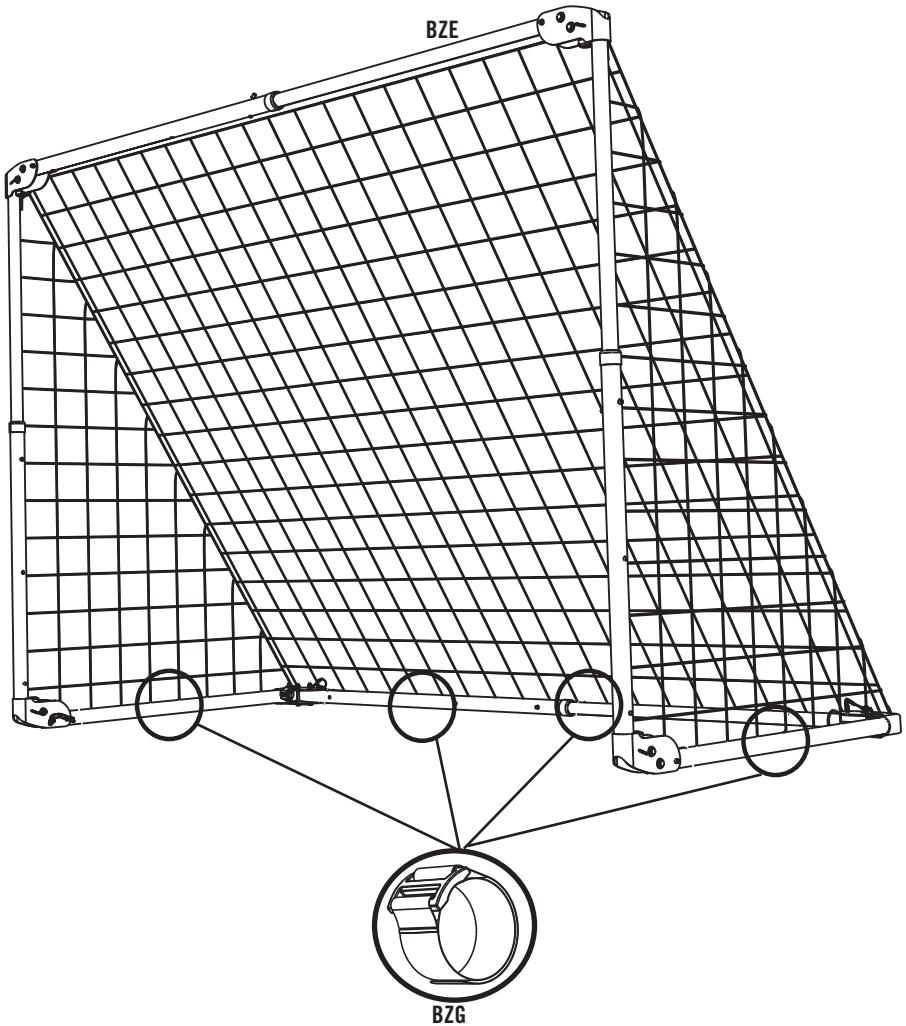
To adjust the size to 4' x 3', press the push buttons on the top and rear assembly legs and slide the goal to the far left hole on each tube. This will adjust the width. Press the push buttons on the side legs and slide the goal to the bottom holes on each tube to adjust the height.



Step

2.2

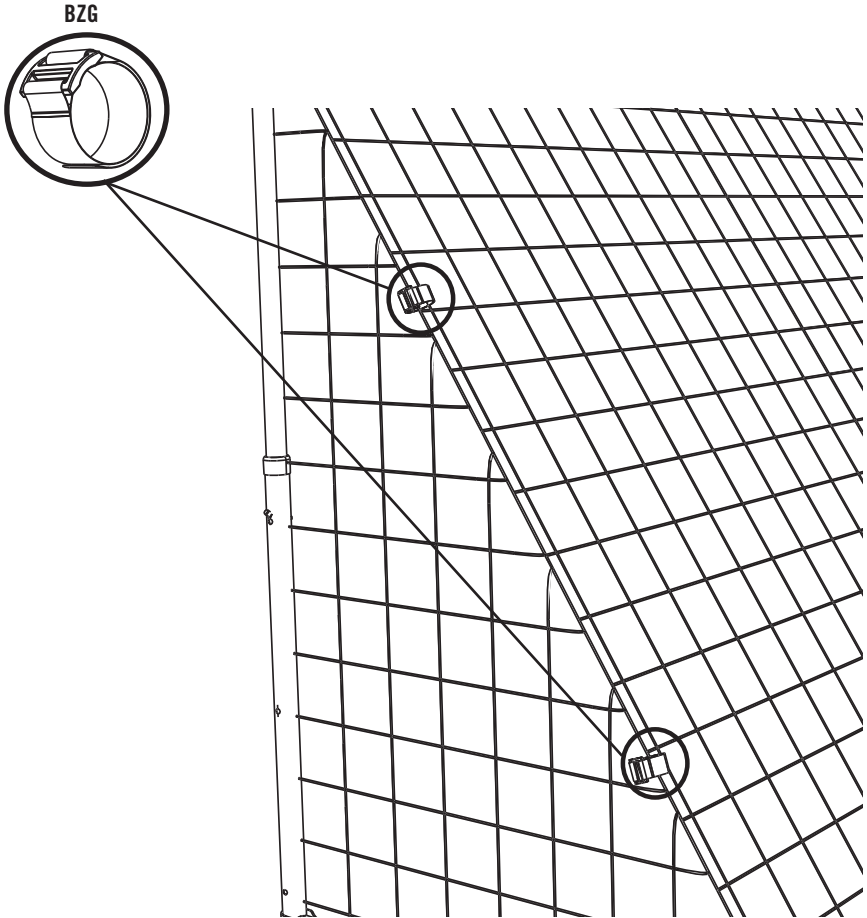
Use four **Net Straps (BZG)** to tighten the Net. Place the Net Straps on the metal tubing of the **Adjustable Goal and Net Assembly (BZE)** in the locations shown.



Step

2.3

Use the remaining two **Net Straps (BZG)** to gather the excess netting. These straps will not be placed on the metal tubing, but will gather the net to itself. The illustration below shows suggested placement points for the Net Straps.



Note: To take down the Goal, adjust the assembly to the smallest size before folding it up.

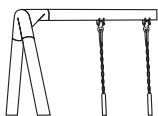
NOTES

**ENHANCE YOUR LIFETIME® PURCHASE BY ADDING
ACCESSORIES OR OTHER GREAT PRODUCTS:**

To purchase accessories or other Lifetime Products, visit us at:

www.lifetime.com

Or call: 1-800-424-3865



WARRANTY INFORMATION

LIFETIME SPORTING GOODS

90-DAY LIMITED FACTORY WARRANTY

THE MANUFACTURER RESERVES THE RIGHT TO MAKE SUBSTITUTIONS TO WARRANTY CLAIMS IF PARTS ARE UNAVAILABLE OR OBSOLETE.

1. Lifetime sporting goods are warranted to the original purchaser to be free from defects in material or workmanship for a period of ninety days from the date of original retail purchase. The word "defects" is defined as imperfections that impair the use of the product. Defects resulting from misuse, abuse or negligence will void this warranty. This warranty does not cover defects due to improper installation, alteration or accident. This warranty does not cover damage caused by vandalism, rusting, "acts of nature" or any other event beyond the control of the manufacturer.
2. This warranty is nontransferable and is expressly limited to the repair or replacement of defective sporting goods equipment. If the equipment is defective within the terms of this warranty, Lifetime Products, Inc. will repair or replace defective parts at no cost to the purchaser. Shipping charges to and from the factory are not covered and are the responsibility of the purchaser. Labor charges and related expenses for removal, installation or replacement of the sporting goods equipment or its components are not covered under this warranty.
3. This warranty does not cover scratching or scuffing of the product that may result from normal usage. In addition, defects resulting from intentional damage, negligence, unreasonable use or hanging from the net will void this warranty.
4. Liability for incidental or consequential damages is excluded to the extent permitted by law. While every attempt is made to embody the highest degree of safety in all equipment, freedom from injury cannot be guaranteed. The user assumes all risk of injury resulting from the use of this product. All merchandise is sold on this condition, and no representative of the company may waive or change this policy.
5. This product is not intended for institutional or commercial use; Lifetime Products, Inc. does not assume any liability for such use. Institutional or commercial use will void the warranty.
6. This warranty is expressly in lieu of all other warranties, expressed or implied, including warranties of merchantability or fitness for use to the extent permitted by Federal and state law. Neither Lifetime Products, Inc., nor any representative assumes any other liability in connection with this product. This warranty gives you specific legal rights, and you may also have other rights which vary from state to state.

ALL WARRANTY CLAIMS MUST BE ACCOMPANIED BY A SALES RECEIPT.

REPORT PRODUCT DEFECTS IN WRITING TO:

Lifetime Products, Inc., PO Box 160010 Clearfield, UT 84016-0010, or call (800) 225-3865

M-F 7 a.m. to 5 p.m. MST.

Call or visit our Web site for Saturday hours

Please include your dated sales receipt and photographs of damaged parts.

To register the product, visit our Web site at www.lifetime.com



www.lifetime.com