

Your order will be shipped in multiple packages, and delivery times may vary. We appreciate your patience and understanding.

**Notice:**

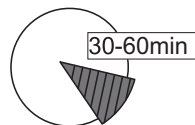
1. Follow the installation instructions. Please confirm all accessories are preset before installation.
2. Do not fully tighten the screws during initial assembly. Fully tighten screws only once all pieces which are correctly assembled.
3. If you encounter any problems during installation, please contact our customer service.
4. Please unbox the item from the side with an open-label and put a carpet on the floor to avoid scratching it.



Recommended installers : 2



Put a carpet on the floor before unpacking



Estimate installation time: 30 minutes

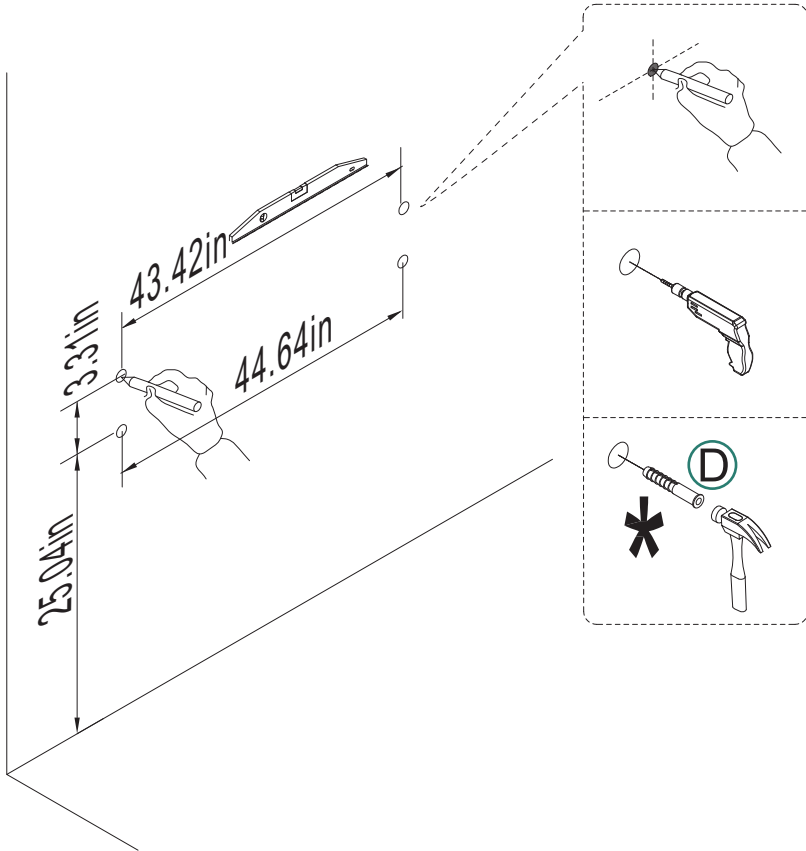
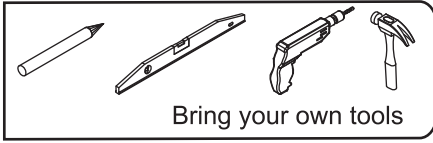
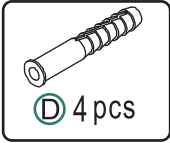
**Components - fittings**

Please check you have all the panels listed below.

Note: The quantities below are the correct amount to complete the assembly. In some cases more fittings may be supplied than are required.

Item no.	Reference Image	Qty	Item no.	Reference Image	Qty
A		x1	3		x4
B		x1	4		x6
1		x4	5		x1
2		x4			

# 1



**WARNING:** To prevent falling down this product must be used with the wall attachment device provided.

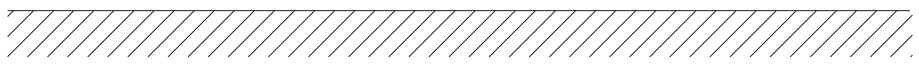
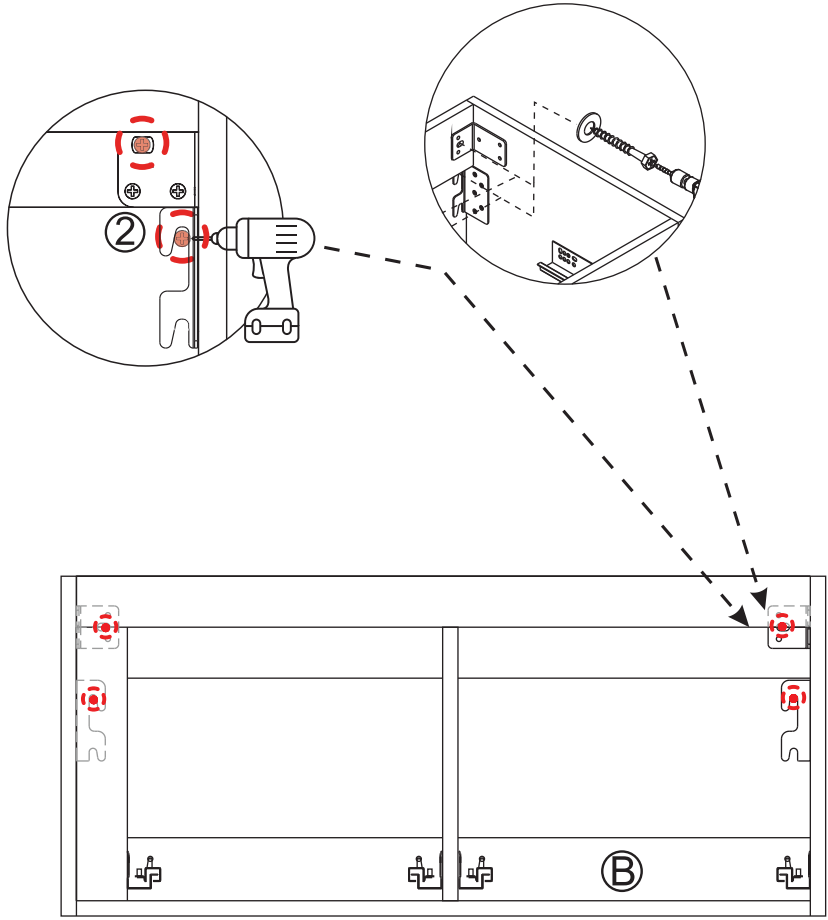
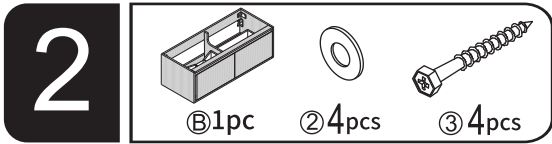
**WARNING:** Assess the suitability of the wall to ensure that the fastening devices will withstand the forces generated.

**WARNING:** The maximum load-bearing capacity of this furniture is:40-60kg, please do not overload! Load-bearing capacity primarily depends on the installation method and wall structure.

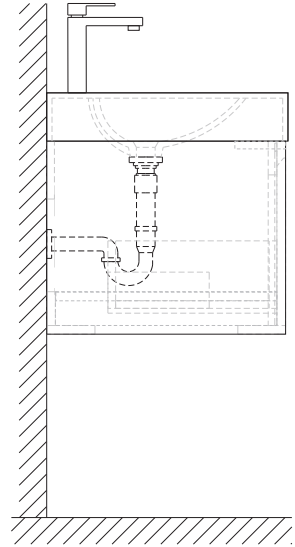
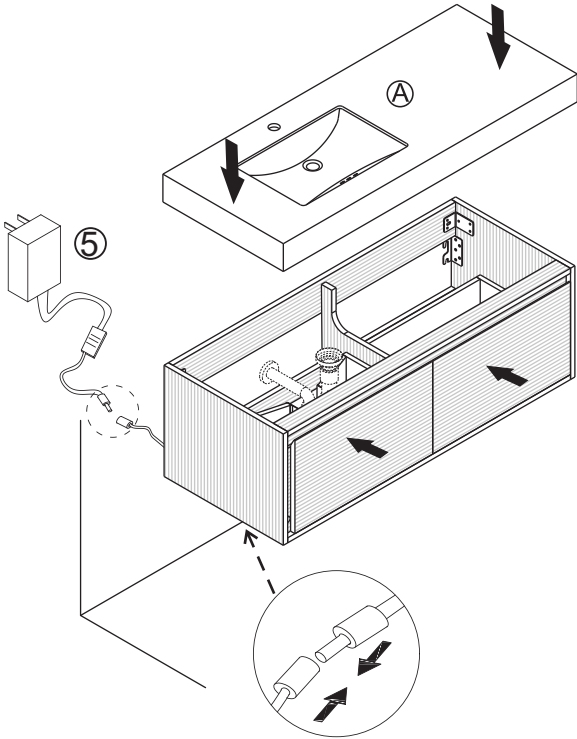
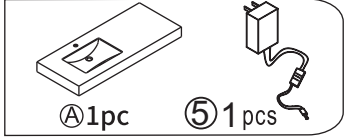
Always identify the wall type first and hire professional installers using fasteners specifically designed for that wall type.

**2**

Ⓑ 1pc      ② 4pcs      ③ 4pcs



# 3

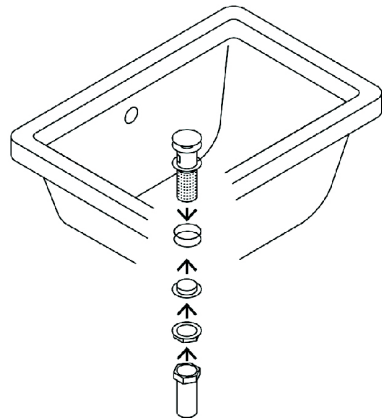


### Pop-up Waste Installation

**STEP 1**  
Install Pop-up Waste with over flow.

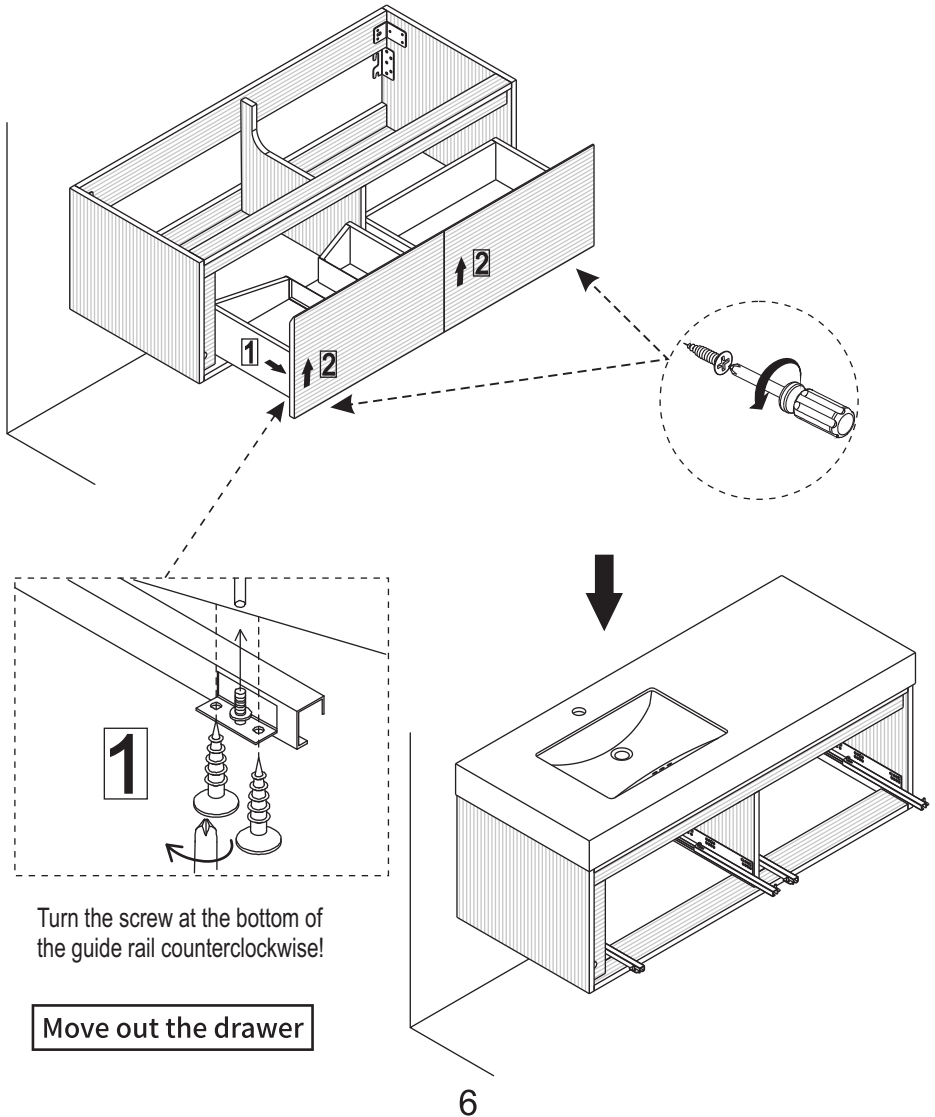
**STEP 2**  
Connect the drain pipe.

This product does not include faucet and drainage accessories. The content on this page is provided as installation suggestions only. Please carry out the installation according to the requirements of the product you actually purchased.



# 4

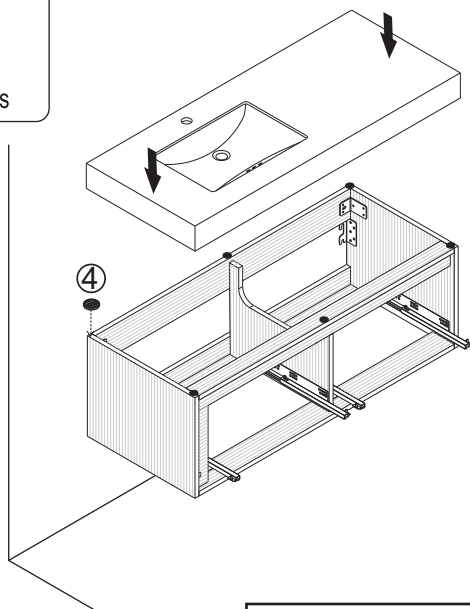
## Installation of drain assembly



**5**

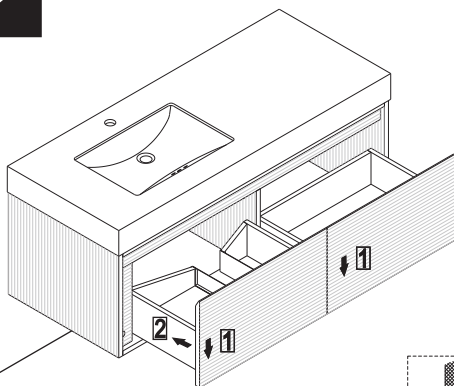


④ 6pcs

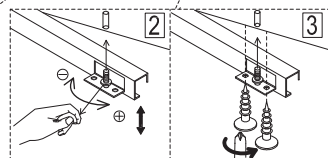
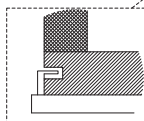
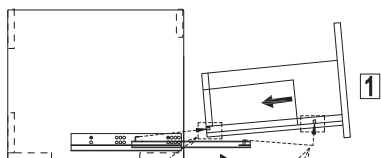
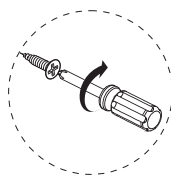


Installation of drain assembly

**6**



Installation completed



## **Always fully close the faucet after use!**

Failure may cause:

### **Water Overflow**

Continuous flow with blocked drain floods cabinetry, floors, and ceilings below, causing property damage and liability for compensation.

### **Personal Injury**

Water accumulation significantly increases slip/fall risks (especially for children/elderly).

### **Cabinetry Damage**

Water infiltration leads to swelling, warping, hardware corrosion, and countertop cracks.

### **Hidden Hazards**

Persistent leakage erodes wall structures, breeds mold, and incurs high repair costs.

### **We strongly recommend that you:**

- ✓ Confirm faucet is fully closed after each use;
- ✓ Regularly inspect faucet/hoses for leaks;
- ✓ Shut off angle valve immediately and seek repair if malfunction occurs;
- ✓ Cut off main water supply when leaving home long-term.

**Disclaimer: Users bear full responsibility for damages caused by faucet left open or delayed repairs.**

