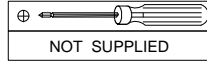




CRESTVIEW COLLECTION

CVFVR8409 ASSEMBLY INSTRUCTION

NOTE: REQUIRED ANTI TIP KIT BEFORE USING THE PRODUCT

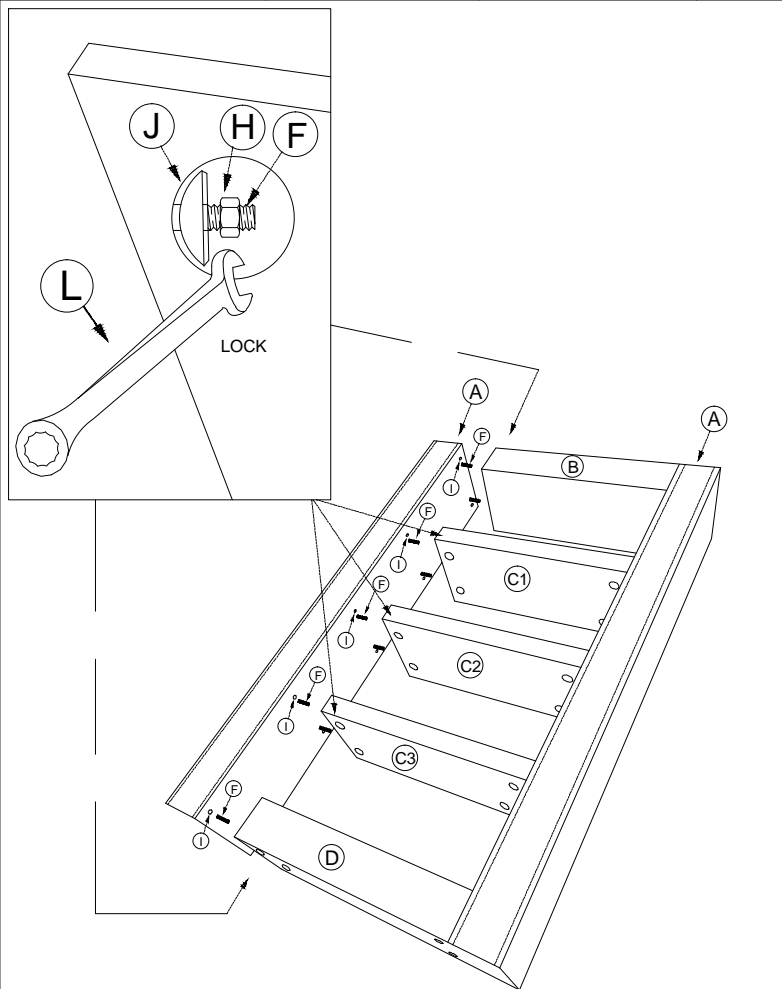


PARTS LIST

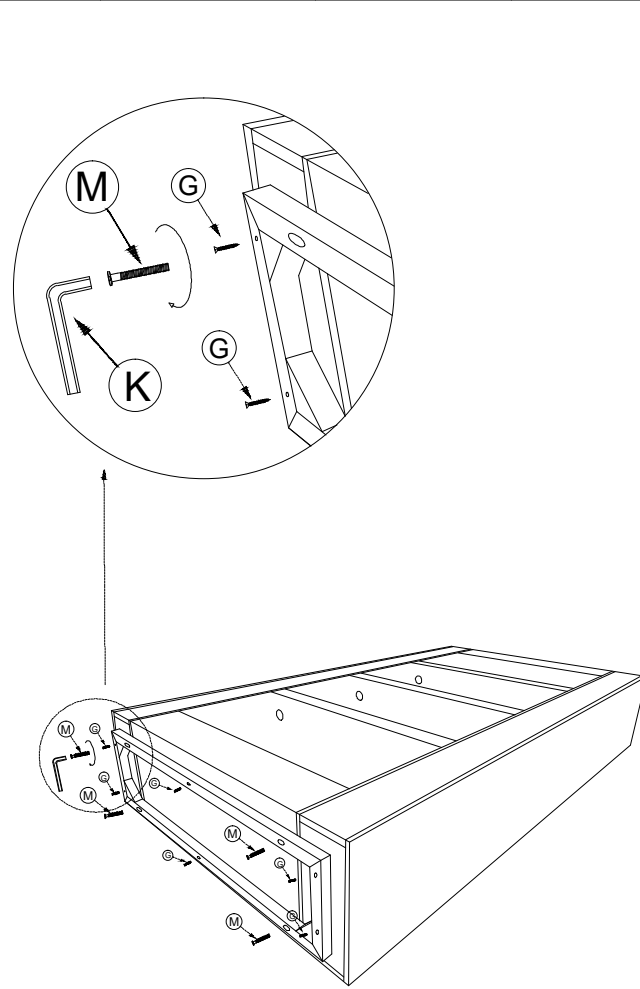
HARDWARE LIST

A x 2 SIDE FRAME	B x 1 TOP SHELF	C x 3 SHELVES	D x 1 BOTTOM SHELF	E x 1 BASE FRAME
--------------------------------	-------------------------------	-----------------------------	----------------------------------	--------------------------------

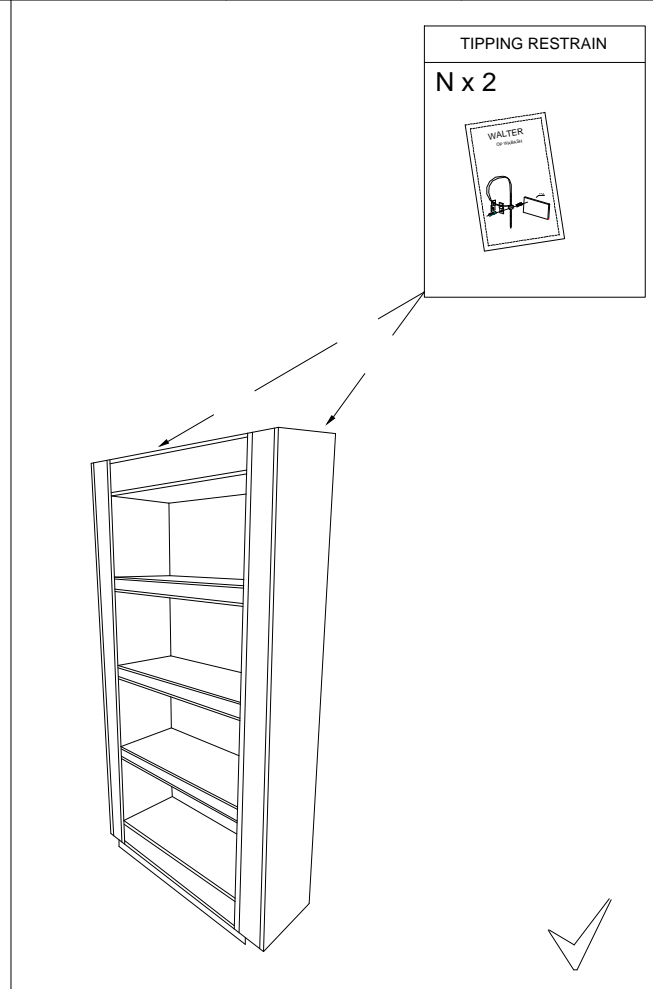
F x 20 8 x 80 mm THREADED ROD	H x 20 HEX NUT	I x 20 10 x 35 mm WOOD DOWEL	K x 1 HEX KEY	M x 4 6 x 35 mm BOLT
G x 6 4 x 30 mm SCREW	J x 20 HALF-MOON WASHER	L x 1 WRENCH		



STEP 1



STEP 2



STEP 3

