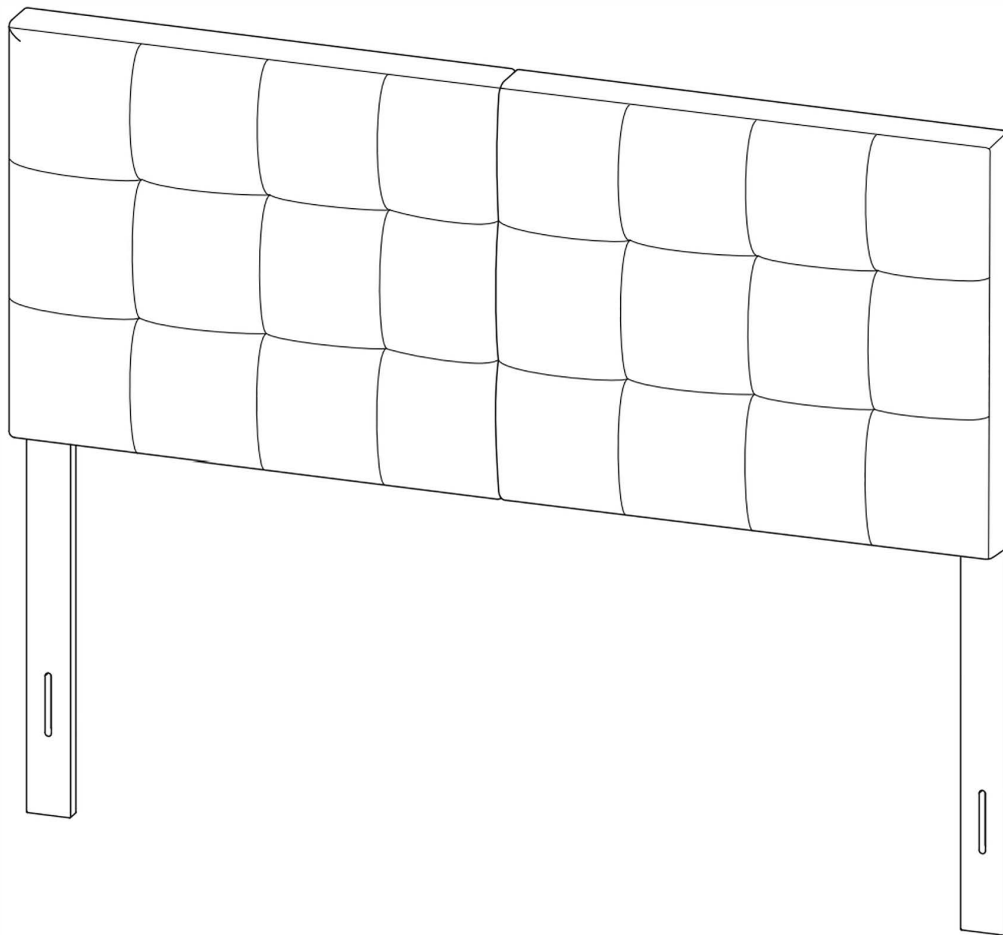


KING/CALIFORNIA KING/QUEEN/FULL HEADBOARD

Part No. 1000000000



CAUTION:

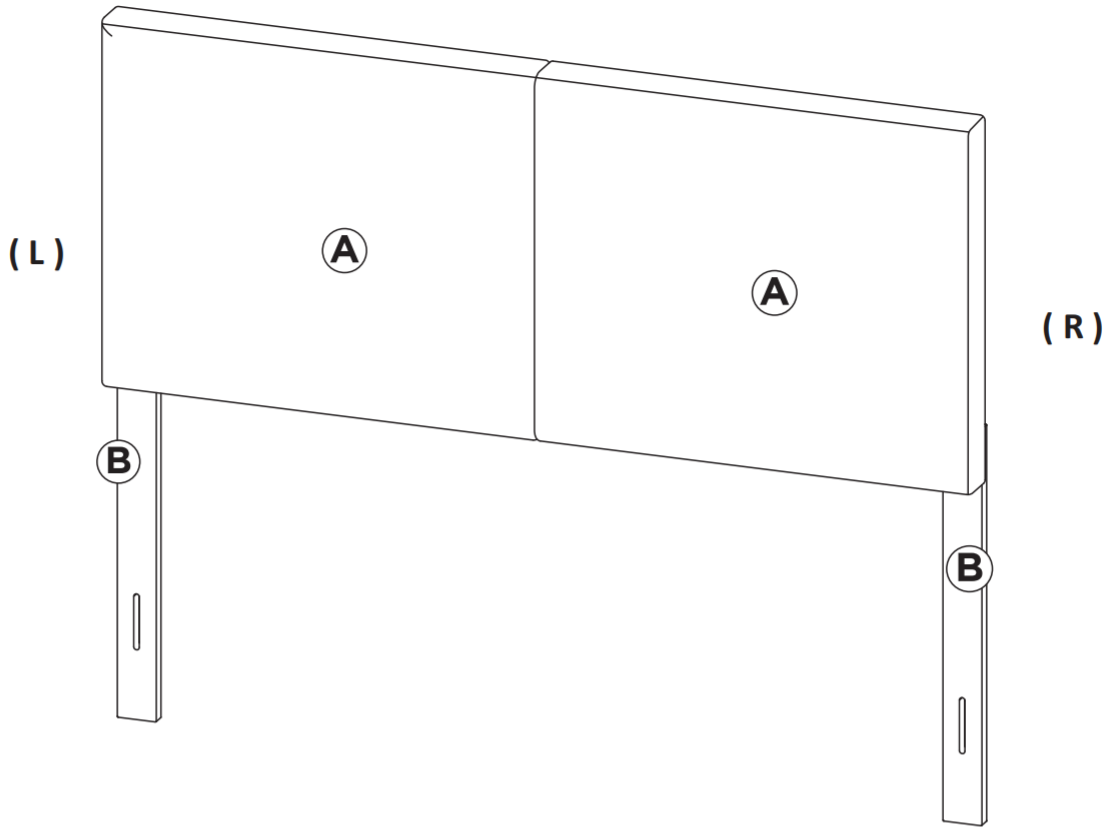
When placing furniture on non-carpeted flooring, we recommend the use of floor protection such as an area rug or furniture pads. Area rugs and padding not included with purchase.



Estimated Time for Assembly

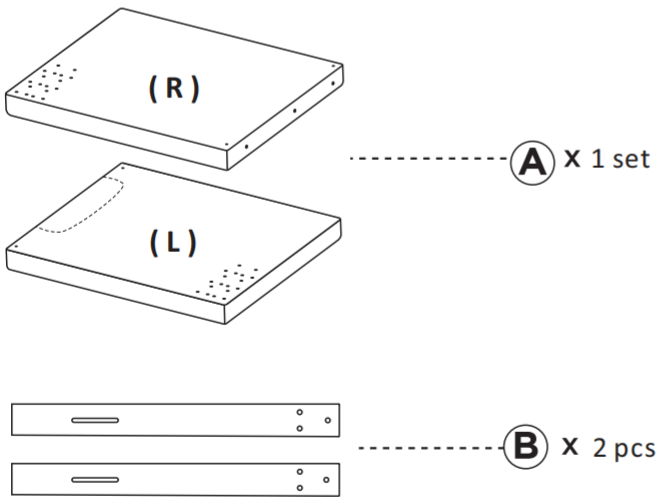
10:00 - 15:00

PACKAGE CONTENT

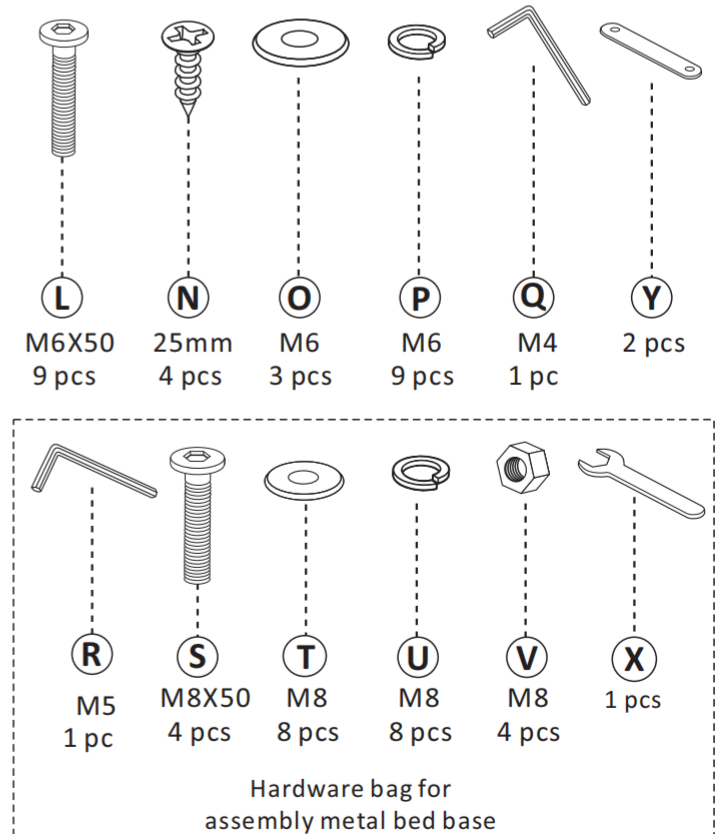


King/ California King/ Queen/Full Headboard

Components

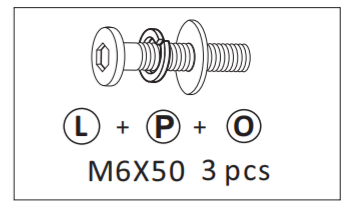


Hardware

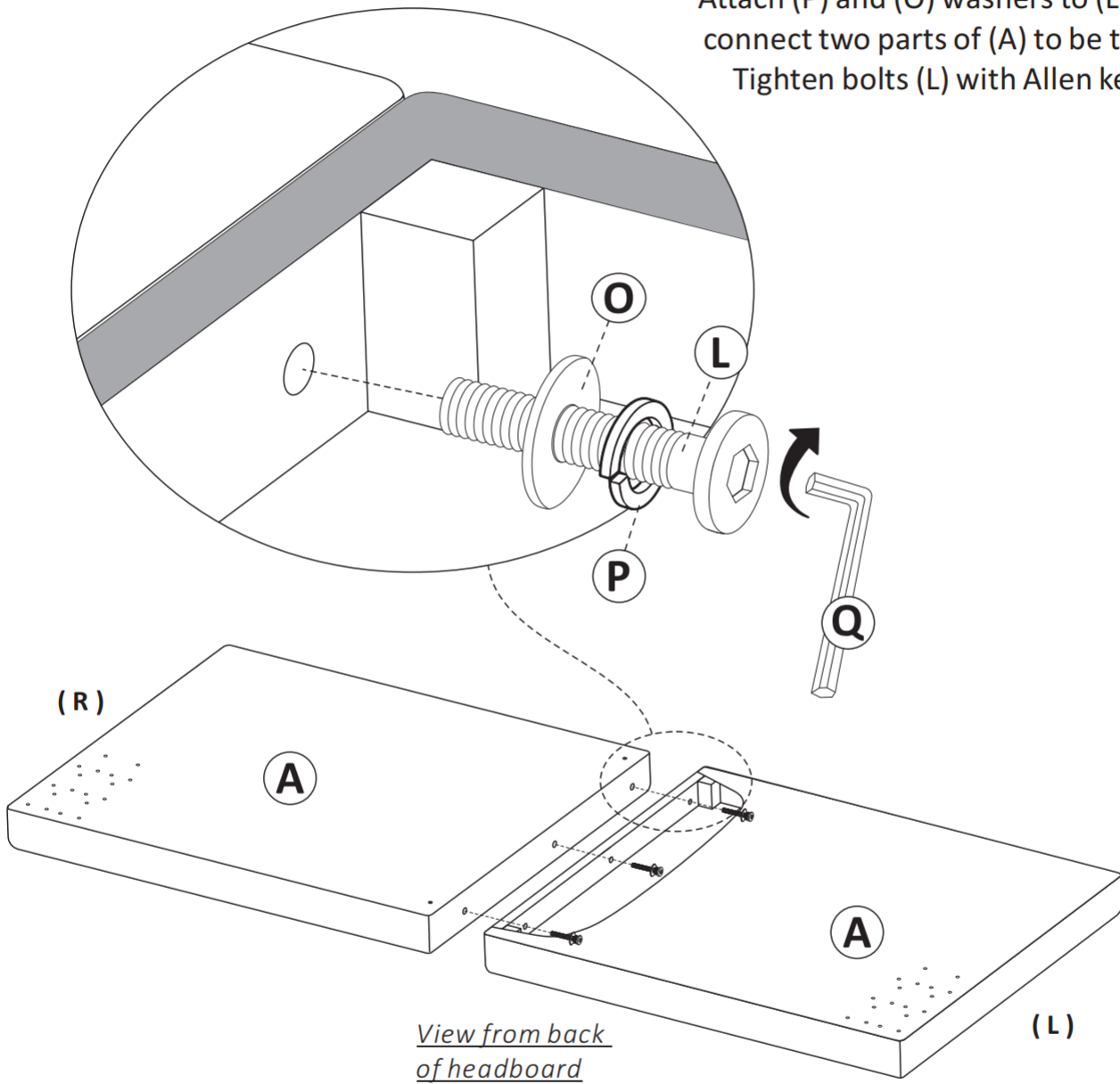


PHILLIPS SCREWDRIVER
REQUIRED
(NOT INCLUDED)

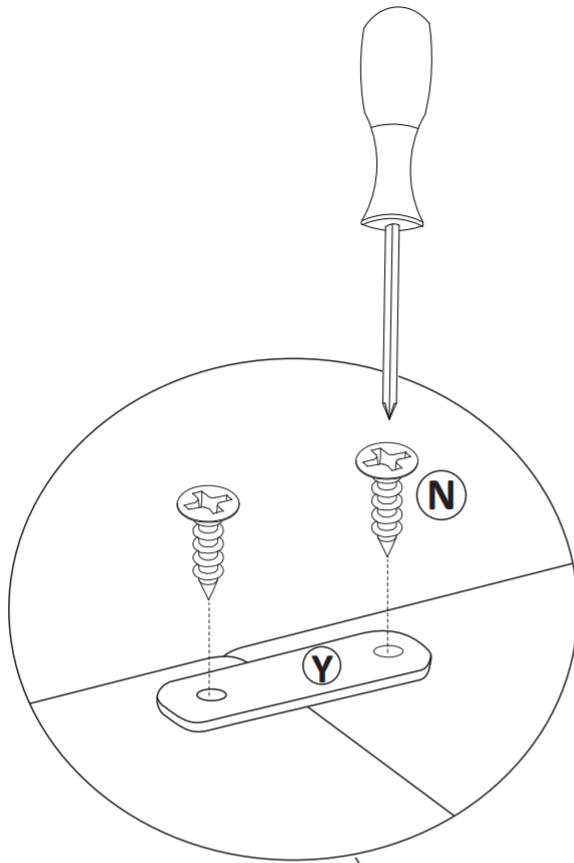
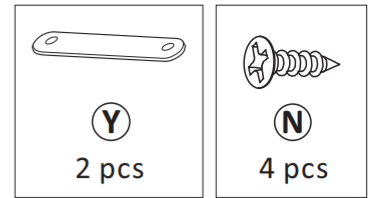
1.



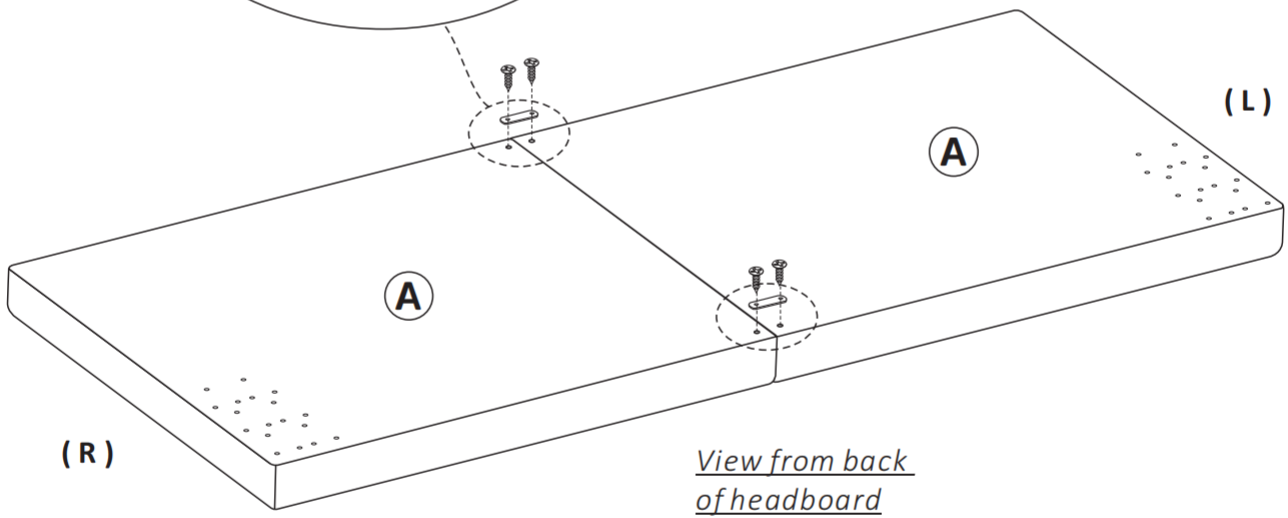
Attach (P) and (O) washers to (L) bolts to connect two parts of (A) to be together.
Tighten bolts (L) with Allen key (Q).



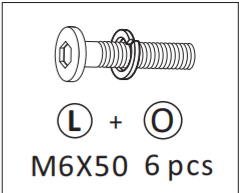
2.



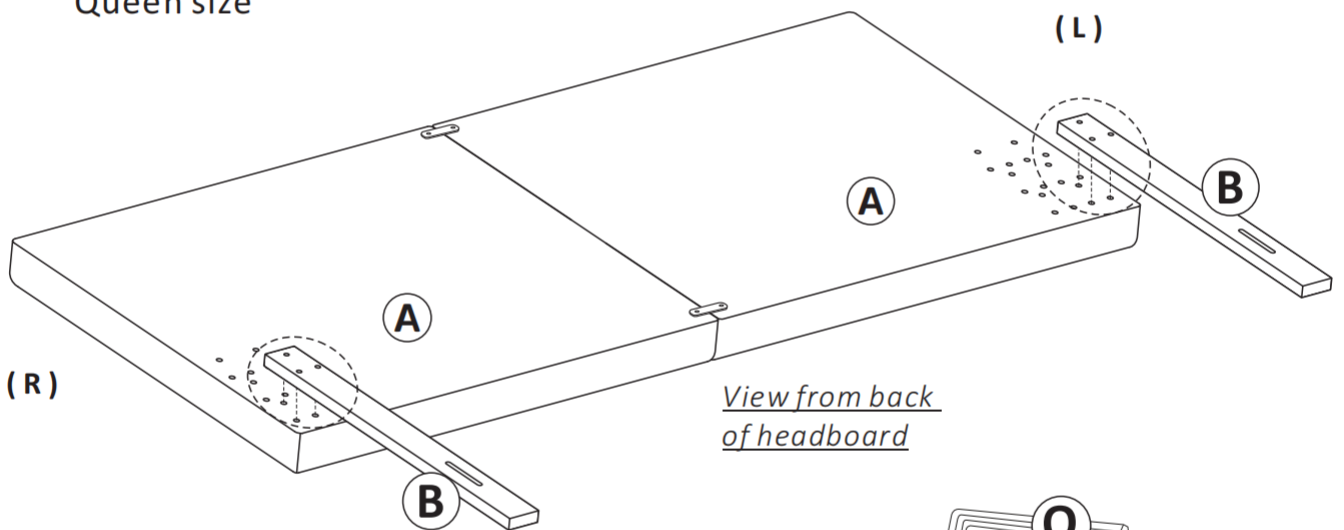
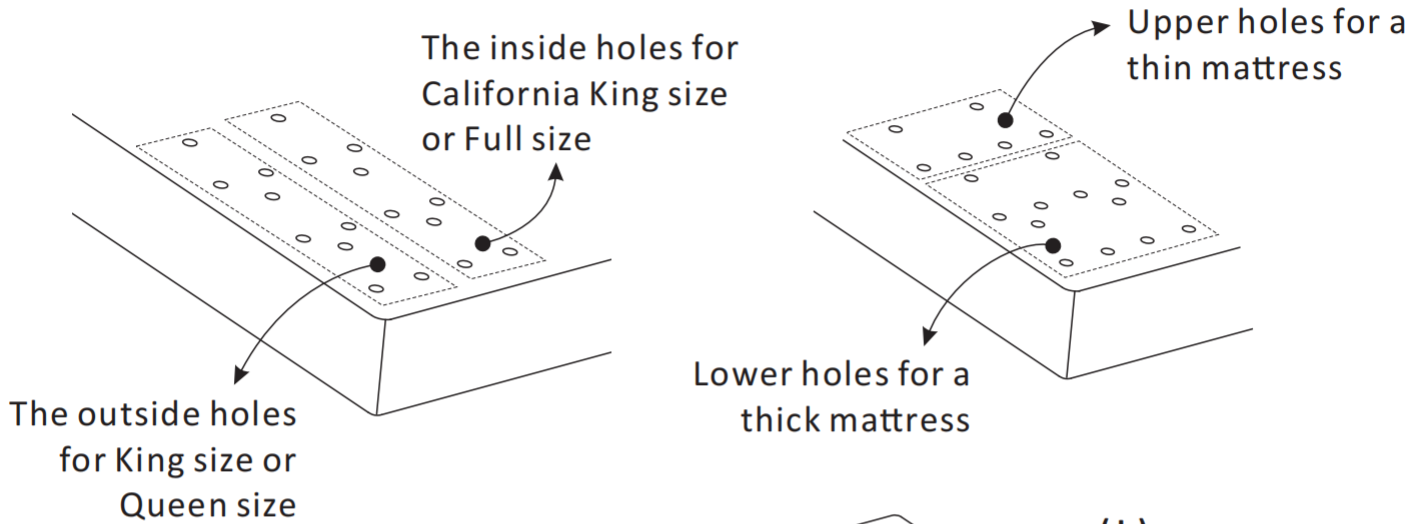
Attach metal plates (Y) onto back of headboards as shown below. Install screws (N) to connect two parts of headboards (A) to be together.



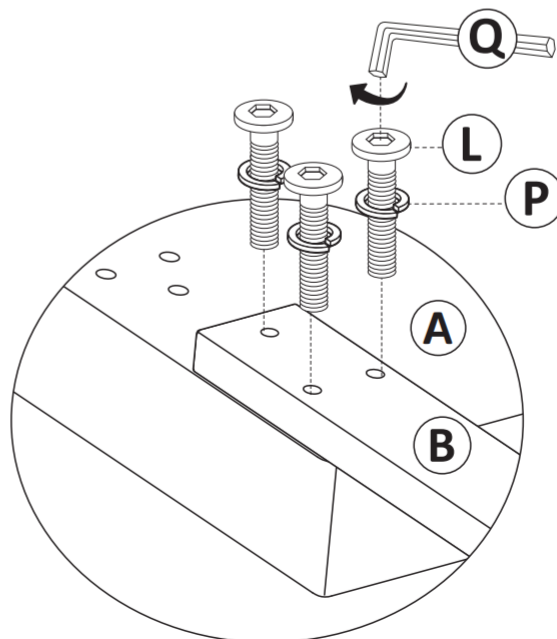
3. Headboard width can be adjusted to 2 sizes. Use outside holes for King size or Queen size bed frame, and use inside holes for California King size or Full size bed frame. (Bed frame is not included)



Headboard height can be adjusted to 3 positions. Use upper holes for a thin mattress or lower holes for a thick mattress. Select the proper position for your desired bed height.



Attach (P) washers to bolts (L) to connect the legs (B) to back of headboards (A). Tighten the bolts (L) with Allen key (Q).



- 4.** Attach (U) and (T) washers to bolts (S). Hold the bolt (S) steady with the (R) Allen wrench. Attach a (V) nut, (U) and (T) washers to the other side of the bolt as shown. Tighten the nut against the bed frame bracket with the "X" wrench. (Bed frame is not included.)

