

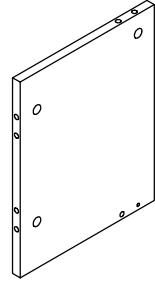
Ax4



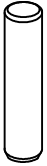
Bx4



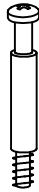
Cx4



Dx16



Ex68



Fx68



Gx68



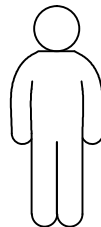
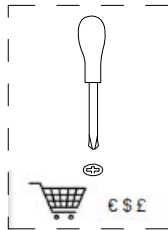
Hx16



Ix16



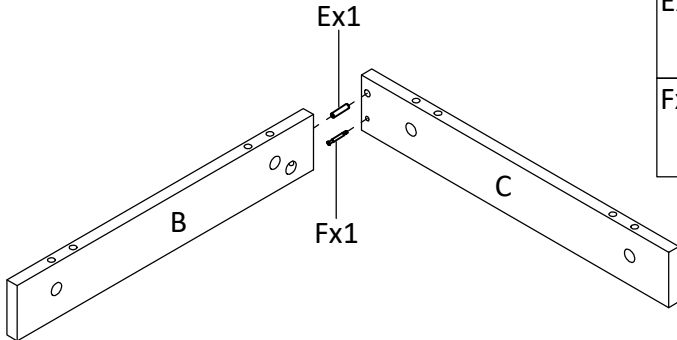
Jx8

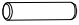



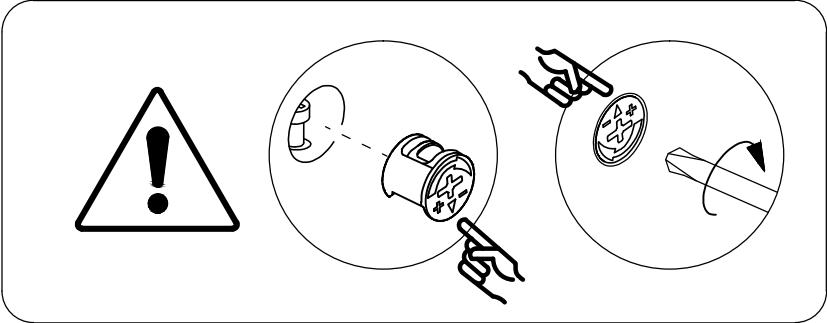
mm  
inch

x1

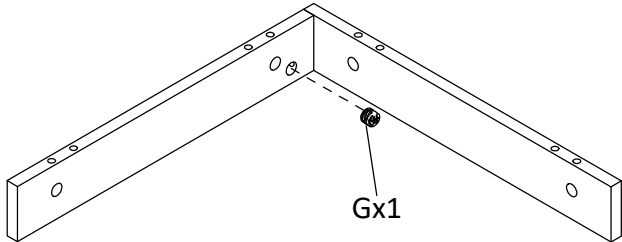
① x4



- Ex4 
- Fx4 



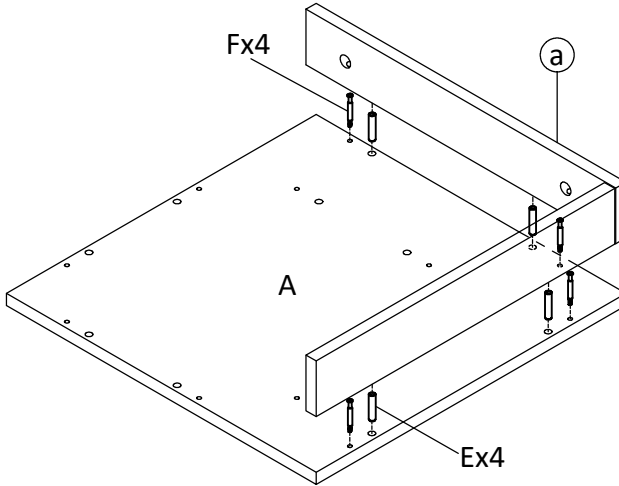
② x4



- Gx4 

Ⓐ

③ x4



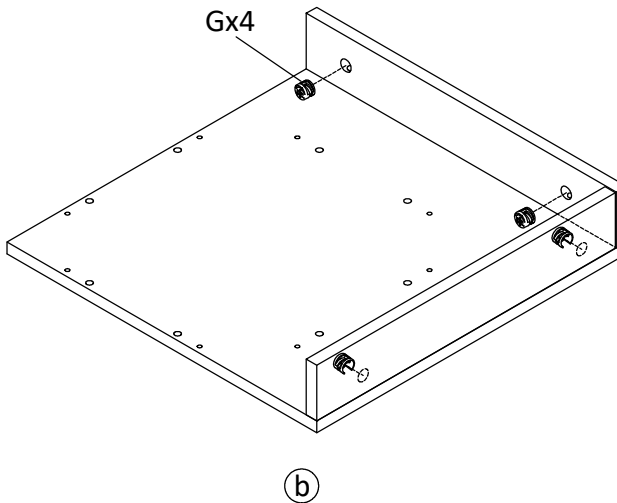
Ex16



Fx16



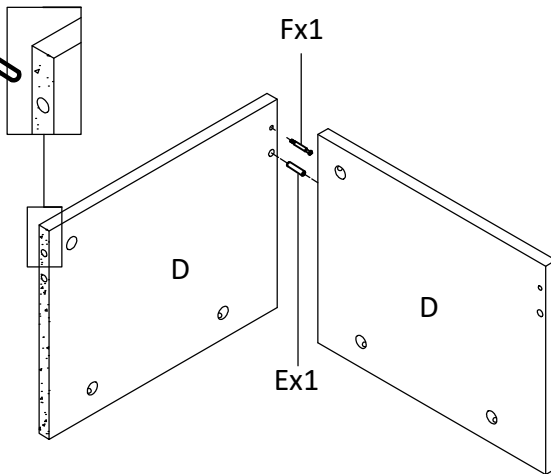
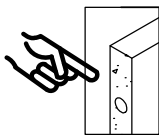
④ x4



Gx16



⑤ x8



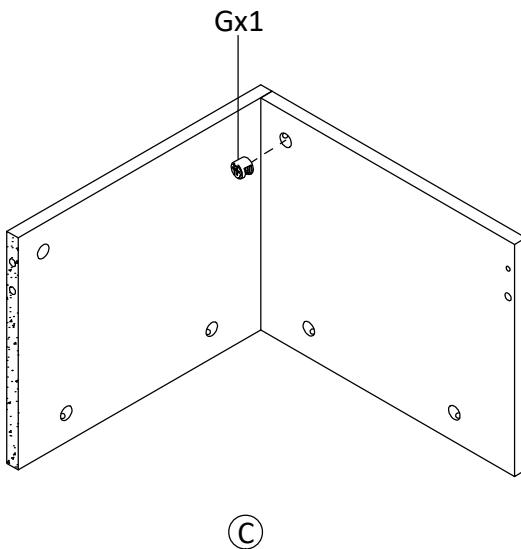
Ex8



Fx8



⑥ x8

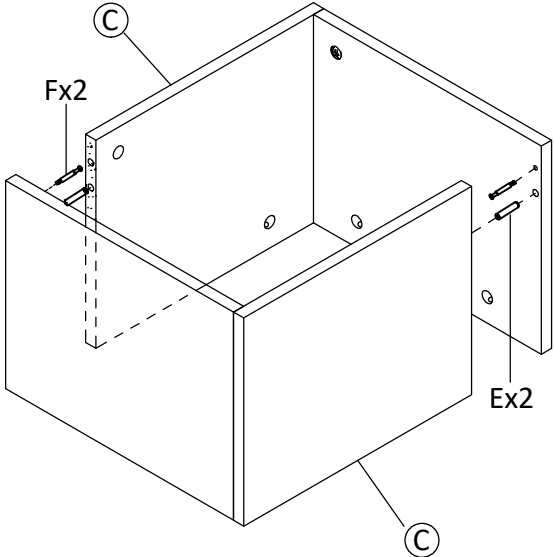


Gx8



Ⓒ

⑦ x4



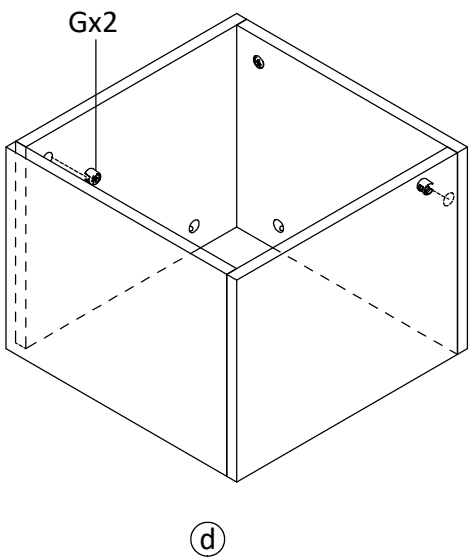
Ex8



Fx8



⑧ x4

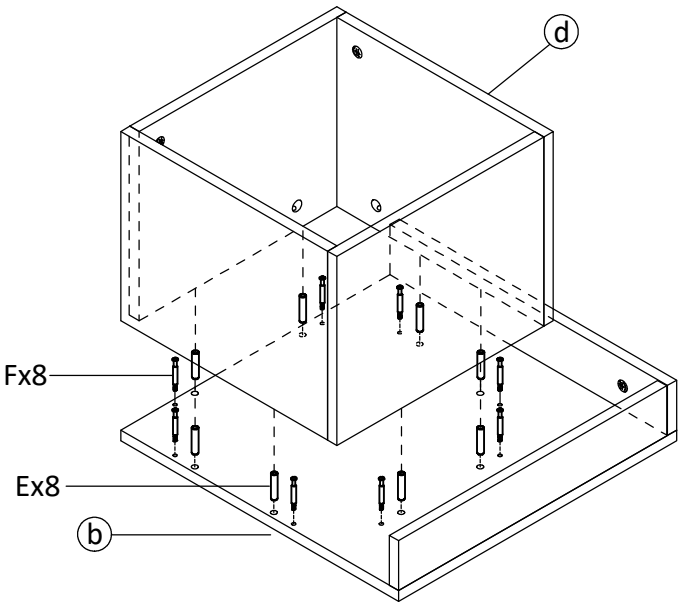


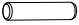

Gx8



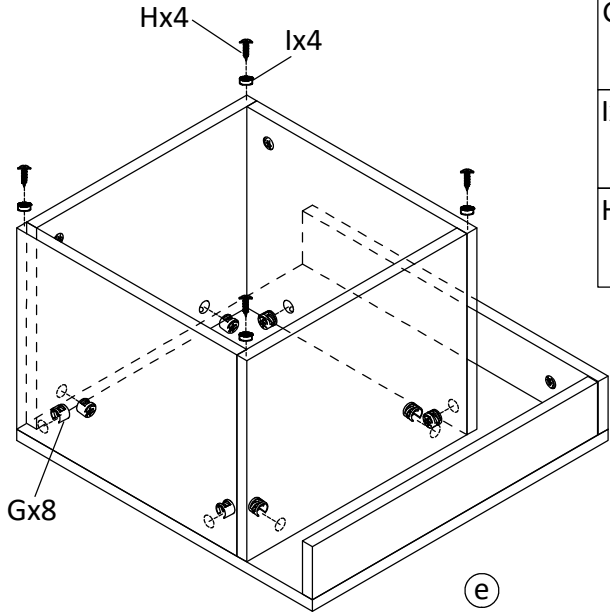
④




9 x4

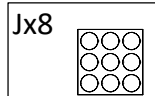
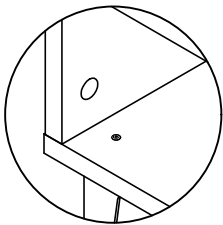
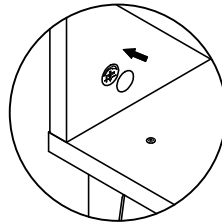
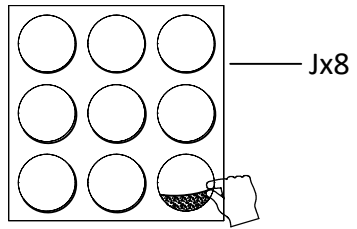
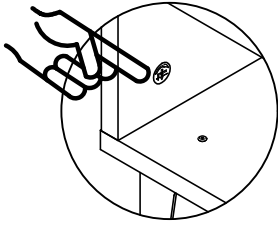


- Ex32 
- Fx32 

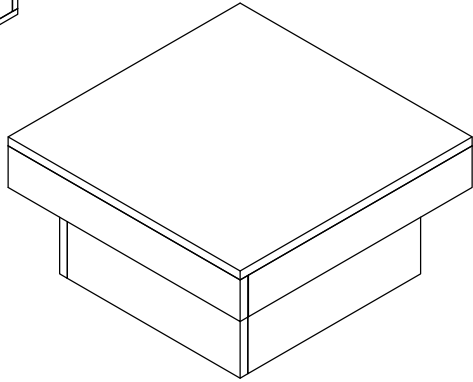
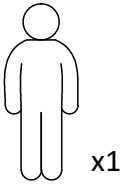
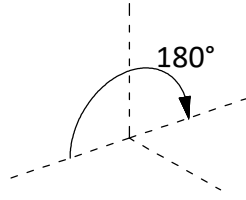
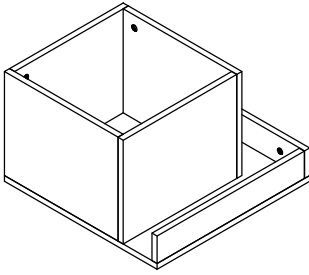
10 x4



- Gx32 
- Ix16 
- Hx16 



11



12

