

# Chair

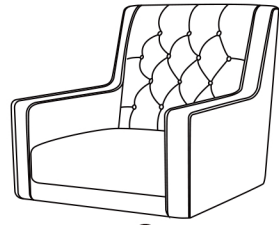
## Components



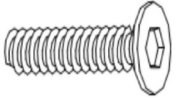
A  
2x



B  
2x



C  
1x



H1  
8x



H2  
8x



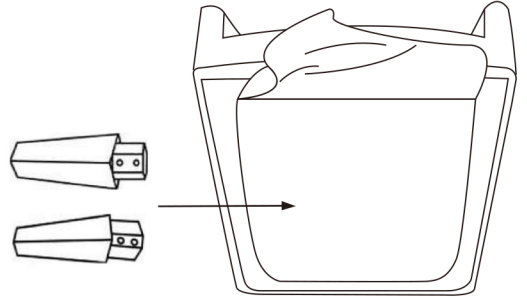
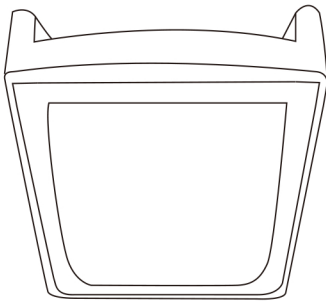
H3  
8x



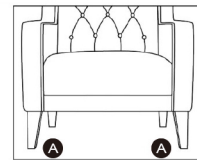
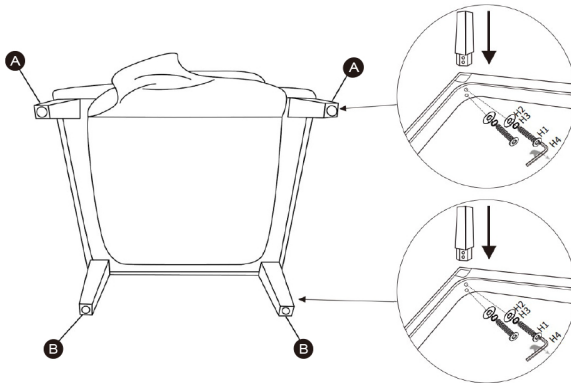
H4  
1x

## Assembly

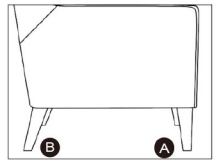
1



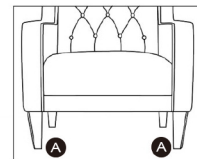
2



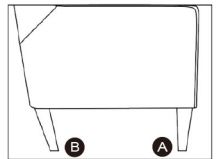
Front view



Side view



Front view



Side view

3

